



US00D650067S

(12) **United States Design Patent**
Py et al.

(10) **Patent No.:** **US D650,067 S**
(45) **Date of Patent:** **** Dec. 6, 2011**

(54) **DISPENSER**

(75) Inventors: **Daniel Py**, Stamford, CT (US); **Norbert M. Assion**, Shelton, CT (US)

(73) Assignee: **Medical Instill Technologies, Inc.**, New Milford, CT (US)

(**) Term: **14 Years**

(21) Appl. No.: **29/332,347**

(22) Filed: **Feb. 13, 2009**

Related U.S. Application Data

(60) Division of application No. 29/304,143, filed on Feb. 26, 2008, now Pat. No. Des. 586,912, which is a division of application No. 29/272,946, filed on Feb. 22, 2007, now Pat. No. Des. 575,391, which is a division of application No. 29/245,663, filed on Dec. 28, 2005, now Pat. No. Des. 540,908, which is a division of application No. 29/225,228, filed on Mar. 14, 2005, now Pat. No. Des. 518,144, which is a division of application No. 29/200,756, filed on Mar. 3, 2004, now Pat. No. Des. 518,872, which is a division of application No. 29/174,936, filed on Jan. 27, 2003, now Pat. No. Des. 504,713, which is a continuation-in-part of application No. 10/272,577, filed on Oct. 16, 2002, now Pat. No. 6,957,752.

(51) **LOC (9) Cl.** **24-02**

(52) **U.S. Cl.** **D24/112**

(58) **Field of Classification Search** D23/213;
D24/112, 114; 222/386
See application file for complete search history.

(56) **References Cited**

U.S. PATENT DOCUMENTS

D39,215 S * 3/1908 Garrett D9/560
D78,140 S * 4/1929 Binks D9/546
2,128,035 A 8/1938 Boetel

2,185,536 A 1/1940 Borland et al.
D134,077 S * 10/1942 Clark D9/541
2,695,735 A * 11/1954 Van Doornik 222/386
D175,025 S * 6/1955 Kowalczyk D8/82
3,141,460 A 7/1964 Tsochatzopoulos
3,200,813 A 8/1965 Christakis
3,412,910 A 11/1968 Hahn
3,424,158 A 1/1969 Silver
3,648,903 A 3/1972 Marchant
3,669,323 A 6/1972 Harker et al.
3,963,814 A 6/1976 Cospen et al.
4,002,516 A 1/1977 Gaborieau et al.
4,102,476 A 7/1978 Loeffler
4,141,474 A 2/1979 Nilson
4,513,891 A 4/1985 Hain et al.
D278,951 S * 5/1985 Kalinsky D4/135
4,639,248 A 1/1987 Schweblin

(Continued)

FOREIGN PATENT DOCUMENTS

EP 0649795 B1 6/1999

(Continued)

Primary Examiner — Barbara Fox

(74) *Attorney, Agent, or Firm* — McCarter & English, LLP

(57) **CLAIM**

We claim, the ornamental design for a dispenser, as shown and described.

DESCRIPTION

FIG. 1 is a side perspective view of a dispenser showing our new design;

FIG. 2 is a top plan view of the dispenser;

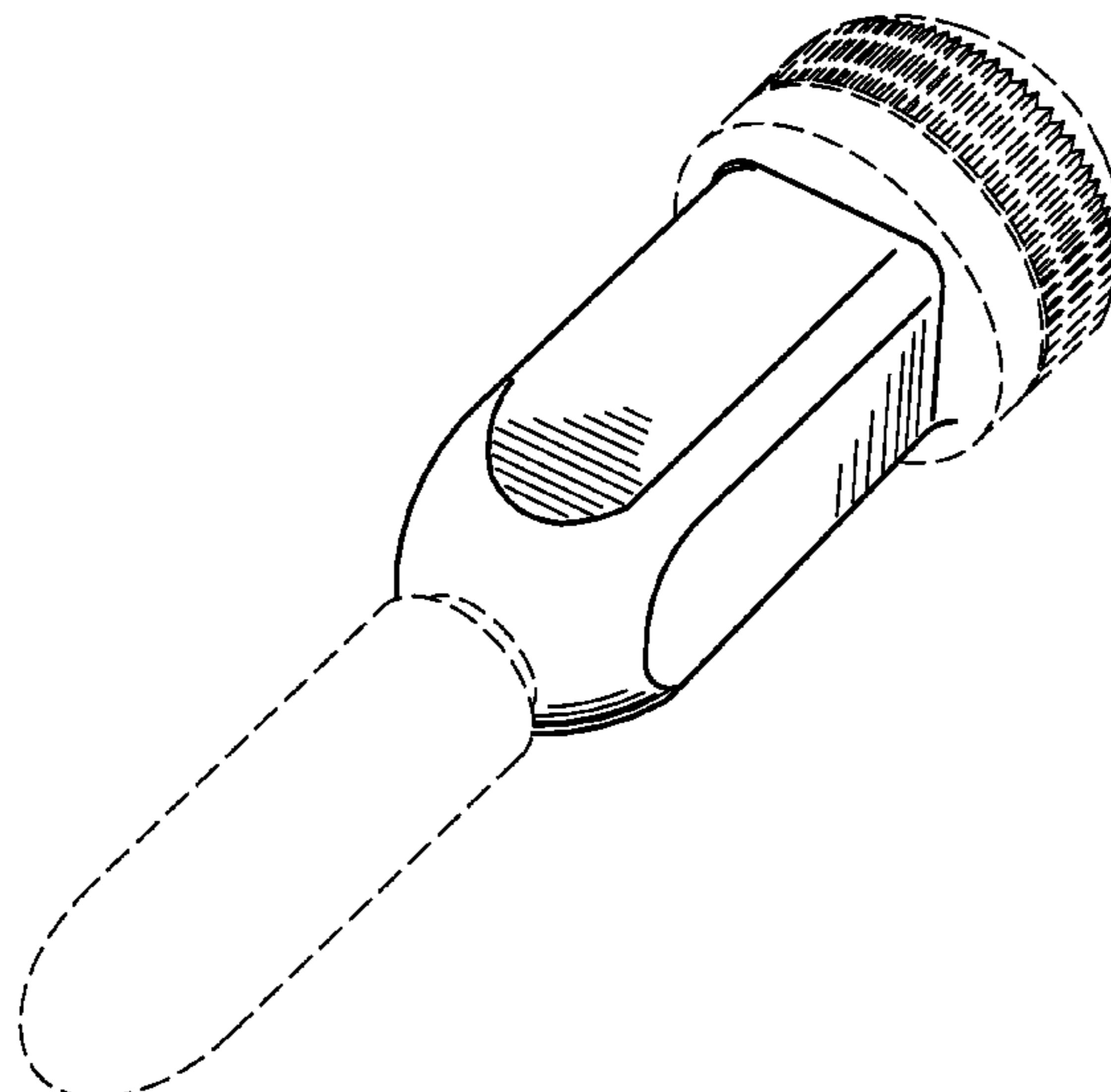
FIG. 3 is a side view of the dispenser; and,

FIG. 4 is a bottom plan view of the dispenser.

The broken lines shown in the drawings are for the purpose of illustrating unclaimed portions of the dispenser and form no part of the claimed design.

The uppermost cylindrical zigzag border at the top of the dispenser forms part of the claimed design.

1 Claim, 4 Drawing Sheets



US D650,067 S

Page 2

U.S. PATENT DOCUMENTS

D288,954 S 3/1987 McDermott et al.
 4,699,300 A 10/1987 Blake
 4,737,148 A 4/1988 Blake
 4,739,906 A 4/1988 LoTurco
 4,842,165 A 6/1989 Van Coney
 D302,787 S * 8/1989 Wilson et al. D8/107
 4,895,279 A 1/1990 Schultz
 D306,695 S * 3/1990 Smith D9/563
 4,923,480 A 5/1990 Monestere
 4,932,941 A 6/1990 Min et al.
 4,949,877 A 8/1990 Hanna et al.
 4,978,036 A 12/1990 Burd
 5,033,647 A 7/1991 Smith et al.
 D321,241 S * 10/1991 Ingle D23/235
 5,083,416 A 1/1992 Schneider et al.
 5,108,007 A 4/1992 Smith et al.
 5,178,300 A 1/1993 Haviv et al.
 5,197,638 A 3/1993 Wood
 5,226,568 A 7/1993 Newton et al.
 5,257,726 A 11/1993 Graf et al.
 5,259,840 A 11/1993 Boris
 5,318,204 A 6/1994 Davis et al.
 5,320,256 A 6/1994 Wood
 5,320,845 A 6/1994 Py
 5,332,121 A 7/1994 Schmidt et al.
 5,339,972 A 8/1994 Crosnier et al.
 5,350,078 A * 9/1994 Potts et al. 215/384
 5,416,303 A 5/1995 Grooms et al.
 5,489,026 A 2/1996 D'Aloia
 5,489,027 A 2/1996 Goerigk
 5,497,910 A 3/1996 Meadows et al.
 D371,499 S * 7/1996 Gomas D8/107
 D372,070 S 7/1996 Zak et al.
 5,556,678 A 9/1996 Jupin et al.
 5,564,596 A 10/1996 Meadows et al.
 5,582,330 A 12/1996 Iba
 5,609,273 A 3/1997 Firestone et al.
 5,664,704 A 9/1997 Meadows et al.
 5,692,651 A 12/1997 Fuchs
 5,718,334 A 2/1998 Demel
 5,722,955 A 3/1998 Racz
 5,727,892 A 3/1998 Baudin
 5,730,322 A 3/1998 Iba et al.
 5,743,441 A 4/1998 Baudin et al.
 5,759,218 A 6/1998 Martin et al.

5,799,837 A 9/1998 Firestone et al.
 5,823,397 A 10/1998 Gil
 D404,464 S * 1/1999 Niemczyk D23/233
 5,855,302 A 1/1999 Fisscher
 5,899,624 A 5/1999 Thompson
 5,921,989 A 7/1999 Deacon et al.
 5,934,500 A 8/1999 Cogger et al.
 5,971,217 A * 10/1999 Visola et al. 222/185.1
 6,050,444 A 4/2000 Sugg
 6,053,370 A 4/2000 Ludbrook et al.
 D424,775 S * 5/2000 Rabinowitz et al. D34/27
 6,062,437 A 5/2000 Mascitelli
 6,083,450 A 7/2000 Safian
 6,145,707 A 11/2000 Baudin
 6,170,705 B1 1/2001 Schneider et al.
 6,202,901 B1 3/2001 Gerber et al.
 6,254,579 B1 7/2001 Cogger et al.
 6,267,768 B1 7/2001 Deacon et al.
 6,283,976 B1 9/2001 Portney
 6,301,767 B1 10/2001 Granger et al.
 6,306,423 B1 10/2001 Donovan et al.
 D451,196 S * 11/2001 Block et al. D24/133
 6,312,708 B1 11/2001 Donovan
 6,325,253 B1 12/2001 Robinson
 6,338,200 B1 * 1/2002 Baxa et al. 33/494
 6,351,924 B1 3/2002 Gustafsson et al.
 6,383,509 B1 5/2002 Donovan et al.
 6,386,395 B1 5/2002 Lughetti
 6,428,545 B2 8/2002 Portney
 6,446,844 B1 9/2002 Gross
 6,450,994 B1 9/2002 Boyles et al.
 D470,221 S * 2/2003 Niemczyk D23/233
 6,547,101 B1 * 4/2003 Sogaro 222/137
 6,613,024 B1 9/2003 Gargione
 D484,059 S * 12/2003 Romeo et al. D9/531
 D538,626 S * 3/2007 Hsieh-Yeh D8/107
 D588,693 S 3/2009 Strong et al.
 D618,347 S 6/2010 Bradshaw
 D622,382 S * 8/2010 Richter et al. D24/135
 7,776,012 B2 8/2010 Felix-Faure
 7,798,993 B2 9/2010 Lim et al.

FOREIGN PATENT DOCUMENTS

EP 0673852 B1 2/2000

* cited by examiner

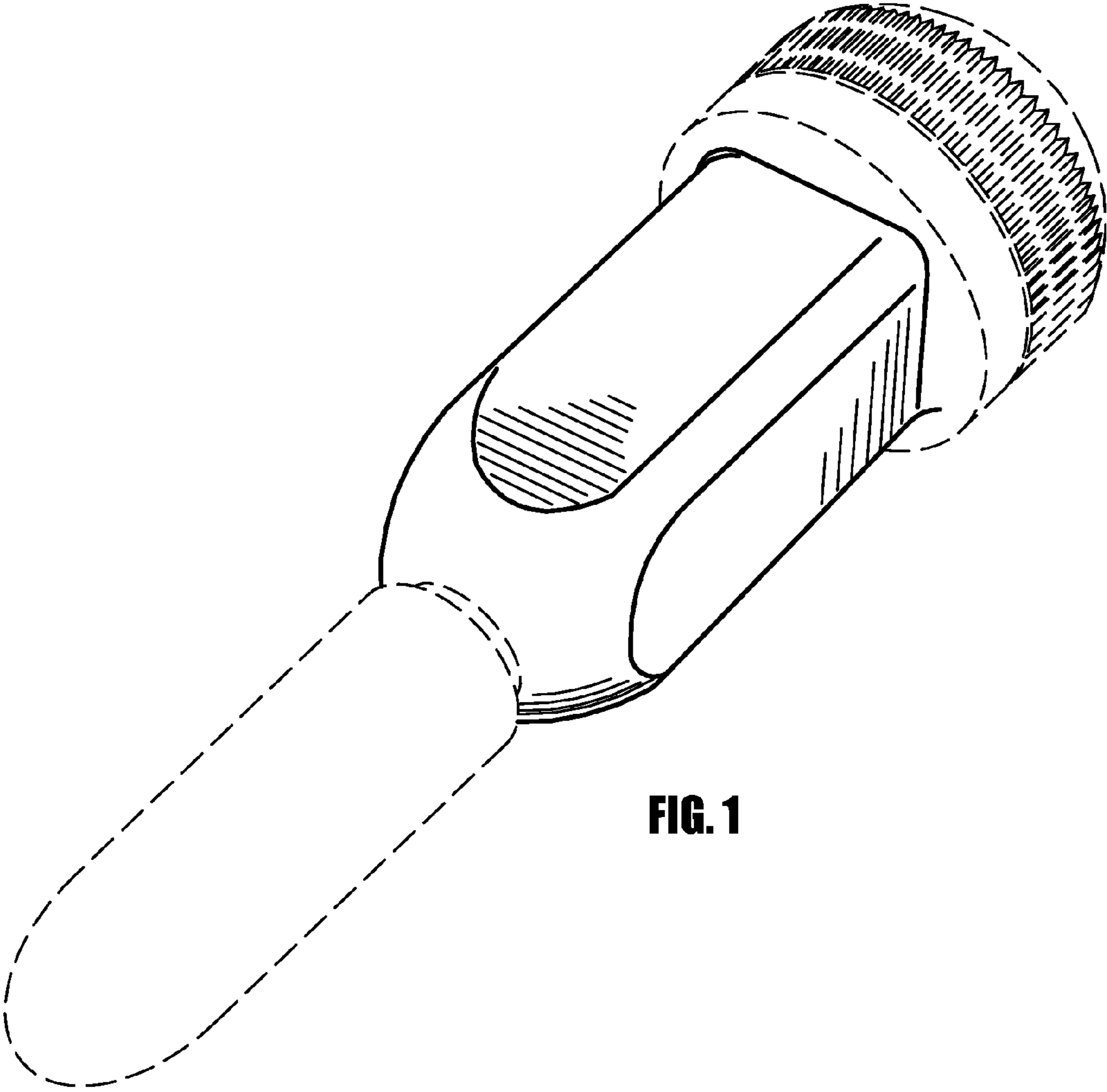


FIG. 1

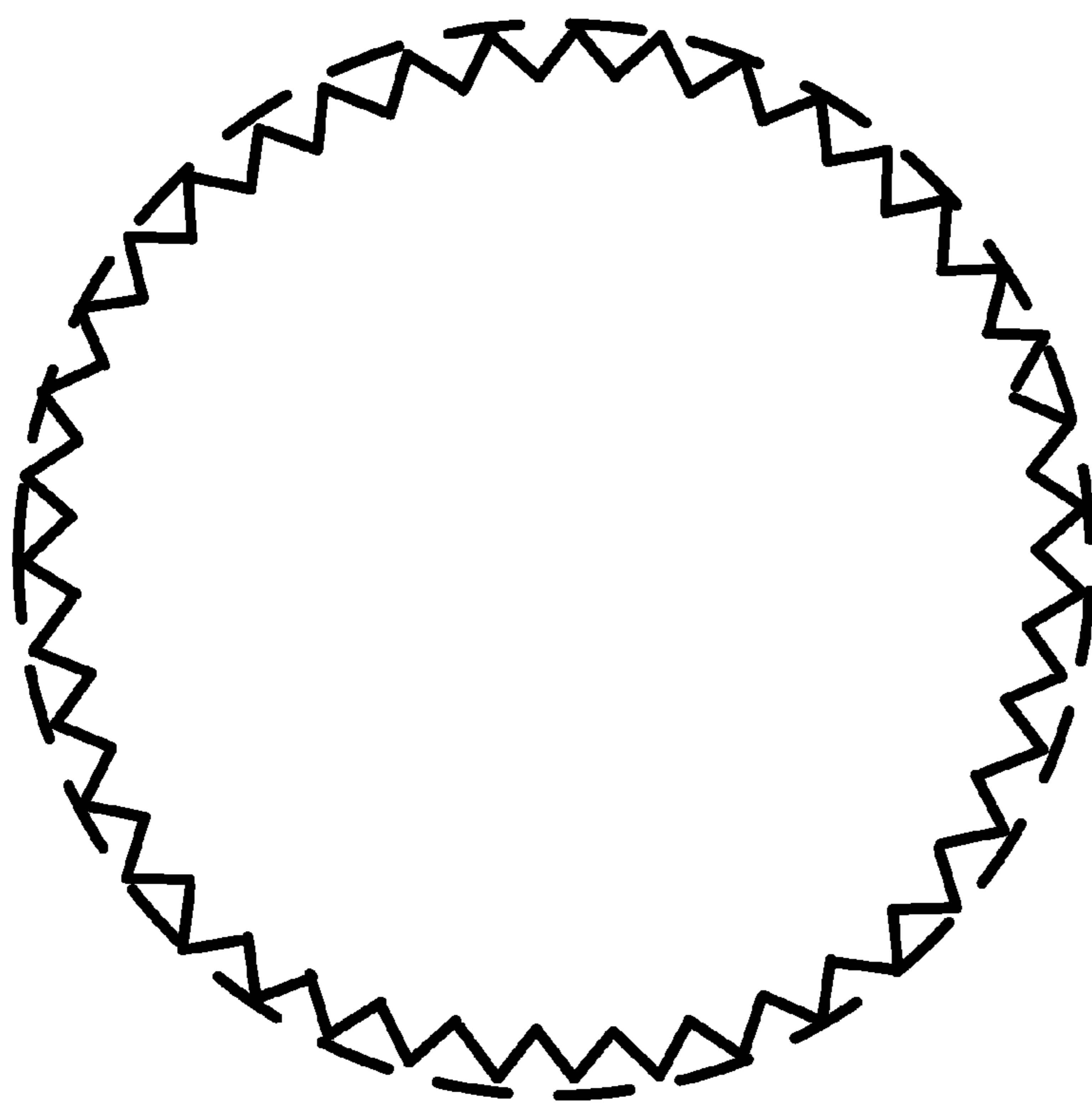


FIG. 2

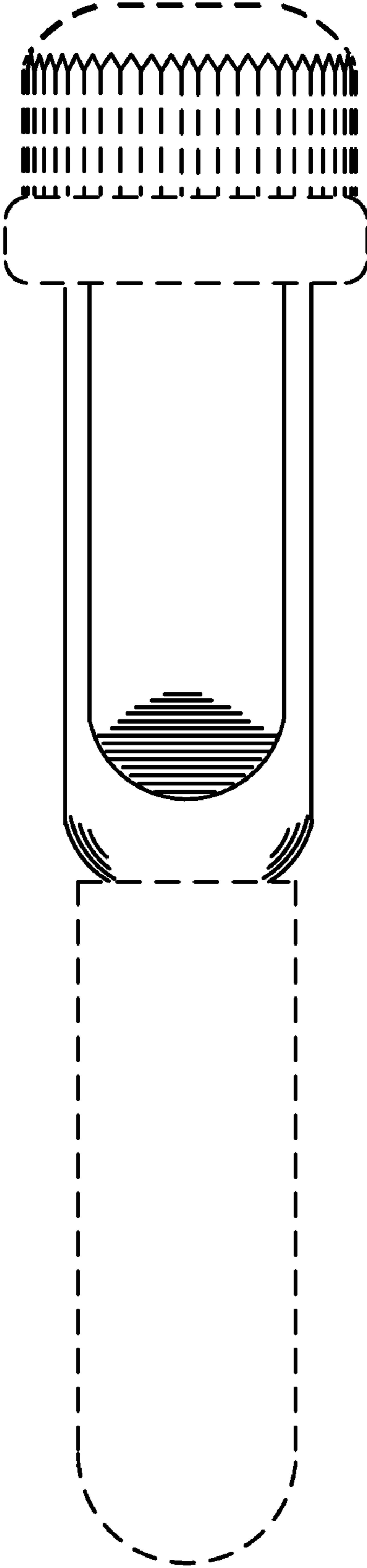


FIG. 3

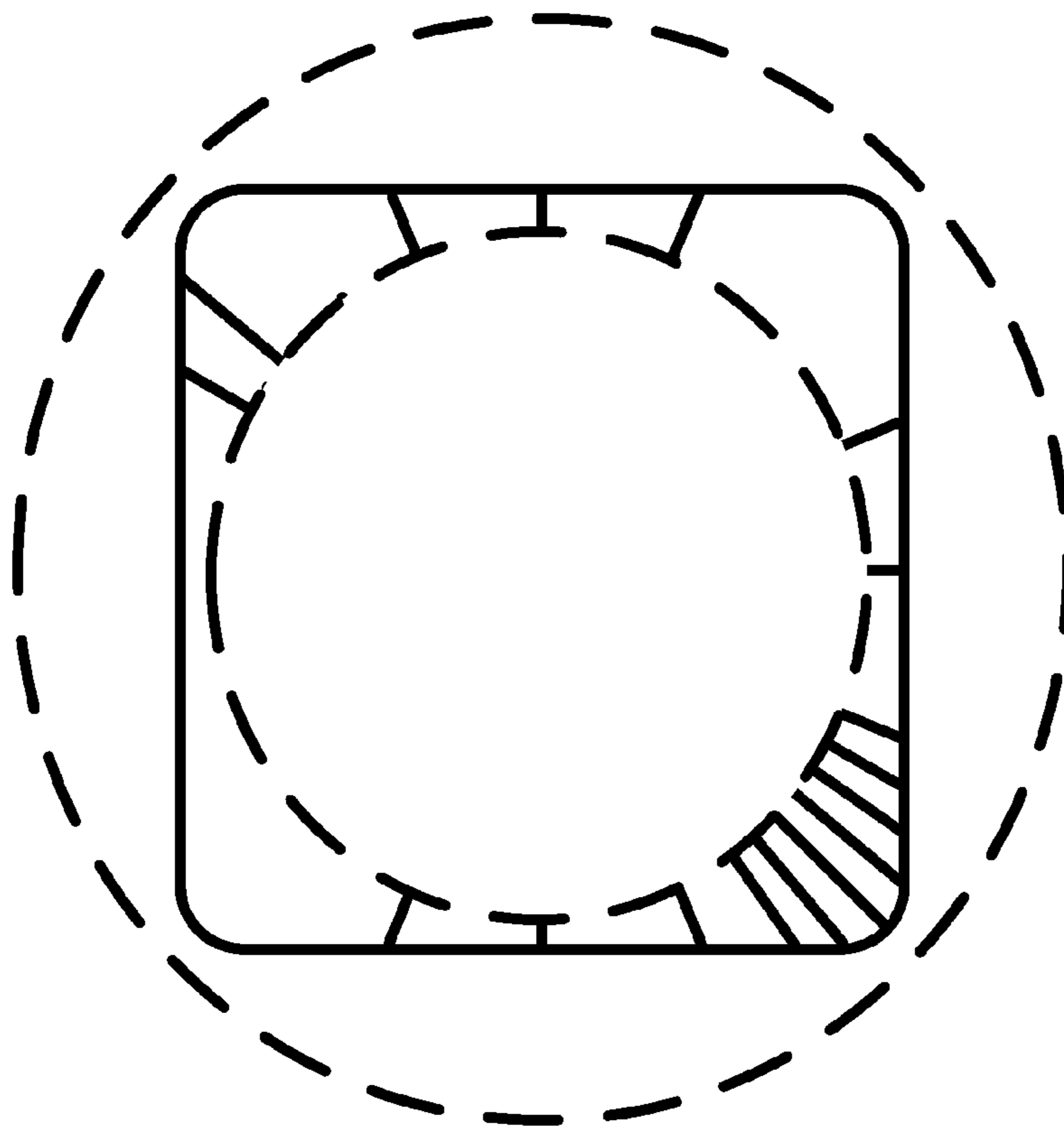


FIG. 4