



US00D650065S

(12) **United States Design Patent**
Berger et al.

(10) **Patent No.:** **US D650,065 S**
(45) **Date of Patent:** **** Dec. 6, 2011**

(54) **NOZZLE FOR NASAL SPRAY DEVICE**

(75) Inventors: **Robert L. Berger**, Bound Brook, NJ (US); **Michael L. Turini**, Cranford, NJ (US); **Peter A. Basile**, Bloomsbury, NJ (US); **Stephen Miggels**, Wyckoff, NJ (US); **Henry J. Mack, Jr.**, Phillipsburg, NJ (US)

(73) Assignee: **Schering Corporation**, Kenilworth, NJ (US)

(**) Term: **14 Years**

(21) Appl. No.: **29/327,288**

(22) Filed: **Nov. 3, 2008**

(51) **LOC (9) Cl.** **29-02**

(52) **U.S. Cl.** **D24/110; D24/115**

(58) **Field of Classification Search** D24/114-115, D24/130, 135, 108, 112-113, 110; D9/435, D9/444-445, 447-448, 523, 526, 551, 575, D9/558, 686, 723, 443, 449; 222/321.6, 222/105, 402.1, 402.21, 402.22, 402.23, 222/424.24, 402.24, 525; 604/94.01, 300, 604/302; 606/199-200; 128/200.14

See application file for complete search history.

(56) **References Cited**

U.S. PATENT DOCUMENTS

2,577,321 A * 12/1951 Filger D24/110
D325,357 S * 4/1992 Worthington D9/688

D355,844 S * 2/1995 Bishop et al. D24/114
5,603,436 A * 2/1997 Leoncavallo et al. 222/525
D384,881 S * 10/1997 Uhl et al. D24/115
D417,271 S * 11/1999 Denyer et al. D24/110
6,290,667 B1 * 9/2001 Cook 128/200.22
D543,454 S * 5/2007 Leoncavallo et al. D9/449
D582,282 S * 12/2008 Althoff et al. D9/529
7,753,240 B2 * 7/2010 Leoncavallo et al. 222/556
7,757,901 B2 * 7/2010 Welp 222/321.6
D634,972 S * 3/2011 Staton D9/443

* cited by examiner

Primary Examiner — Ian Simmons

Assistant Examiner — Wan Laymon

(74) *Attorney, Agent, or Firm* — Barry H. Jacobsen; Valerie J. Camara

(57) **CLAIM**

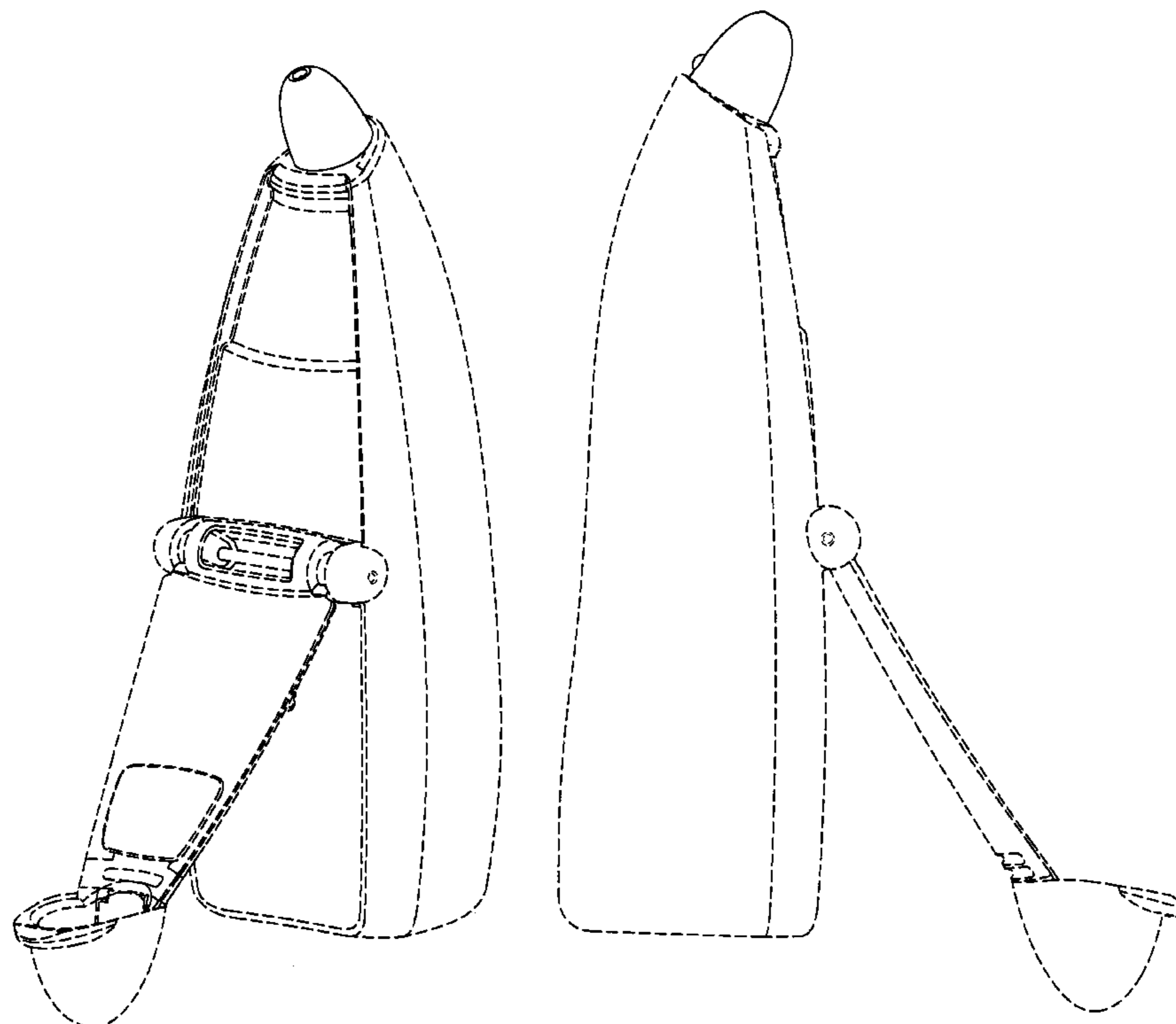
The ornamental design for a nozzle for nasal spray device, as shown and described.

DESCRIPTION

FIG. 1 is a perspective view of a nozzle for nasal spray device; FIG. 2 is a front elevational view thereof; FIG. 3 is a top plan view thereof; FIG. 4 is a left elevational view thereof, the right elevational view being a mirror image thereof; FIG. 5 is a rear elevational view thereof; and, FIG. 6 is a bottom plan view thereof.

The broken line showings of FIGS. 1, 2, 3, 4, 5 and 6 are for illustrative purposes only and form no part of the claimed invention.

1 Claim, 5 Drawing Sheets



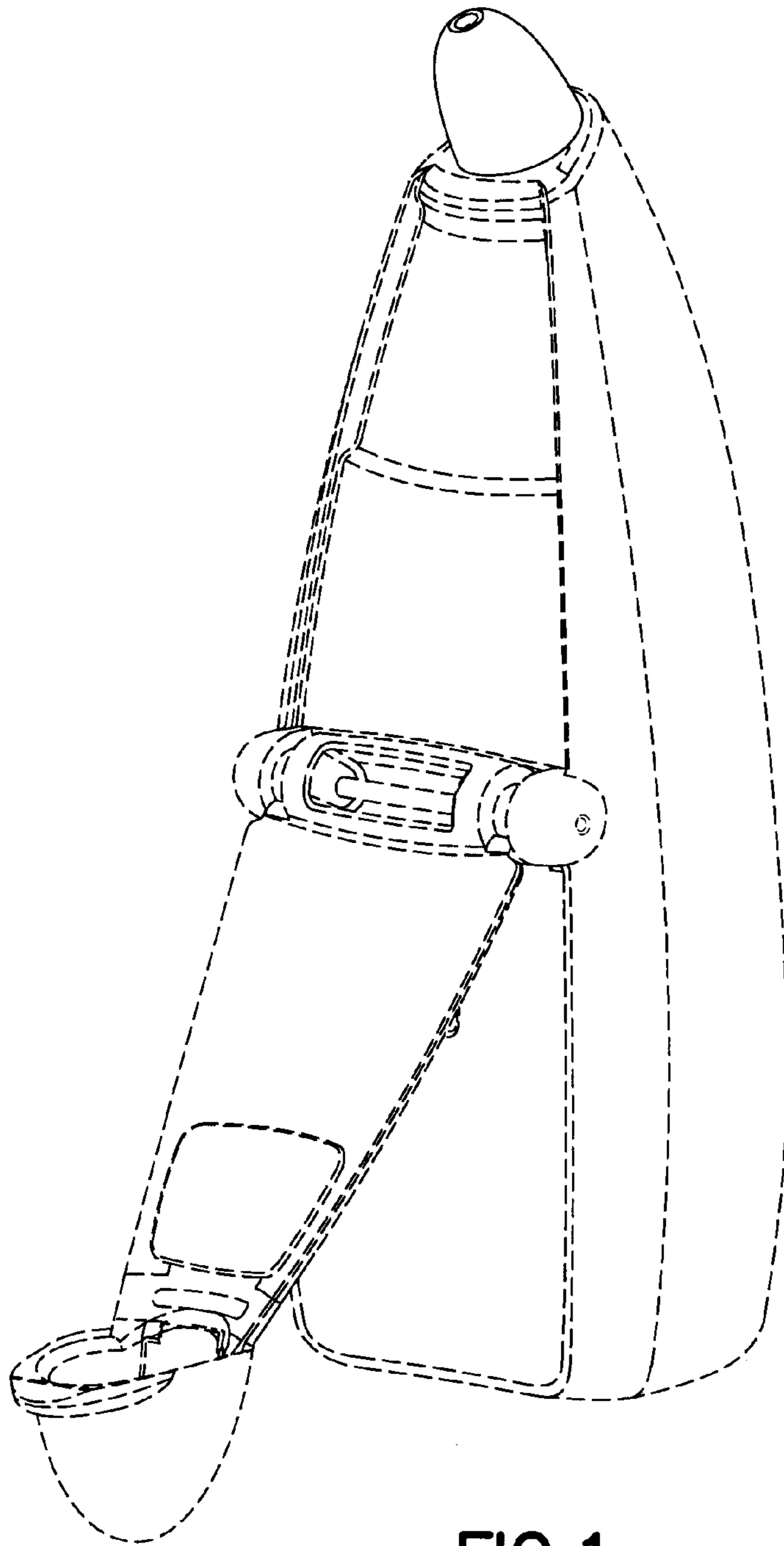


FIG. 1

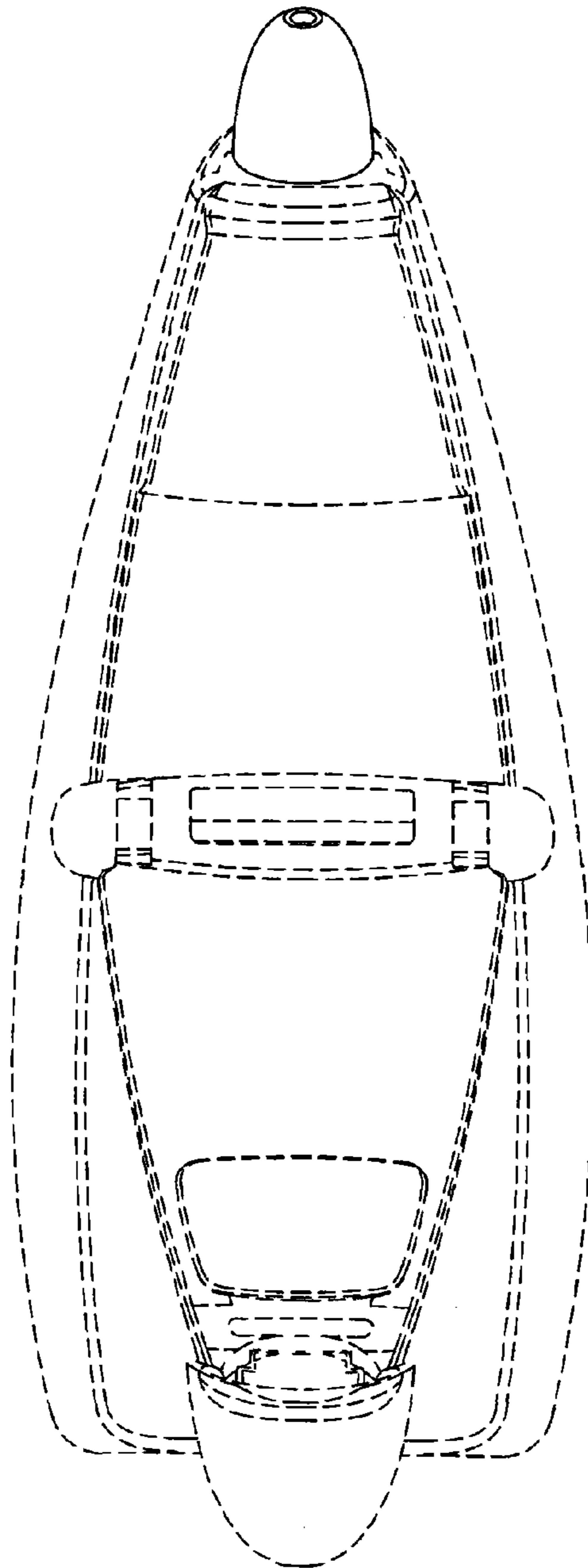


FIG. 2

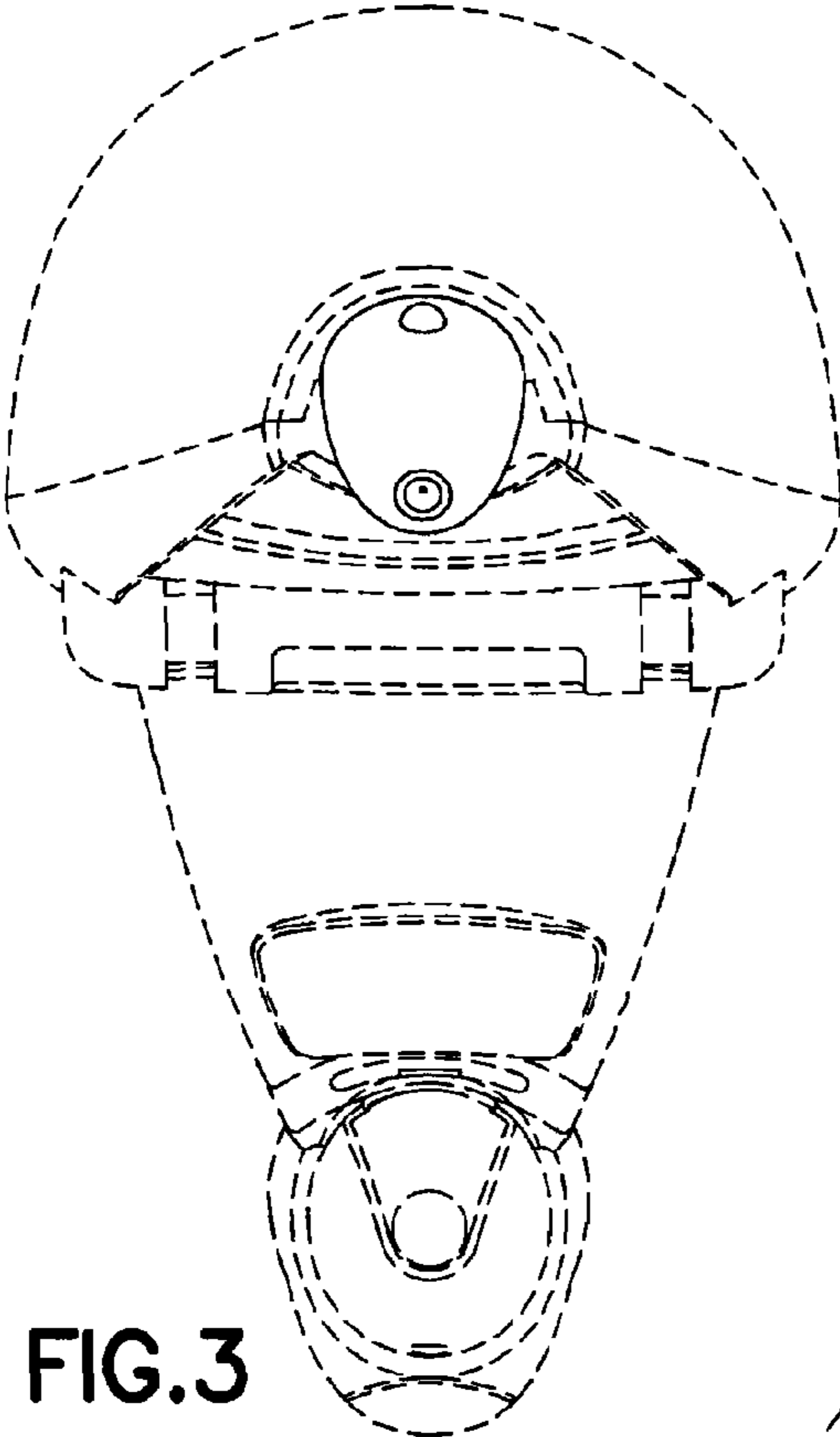


FIG. 3

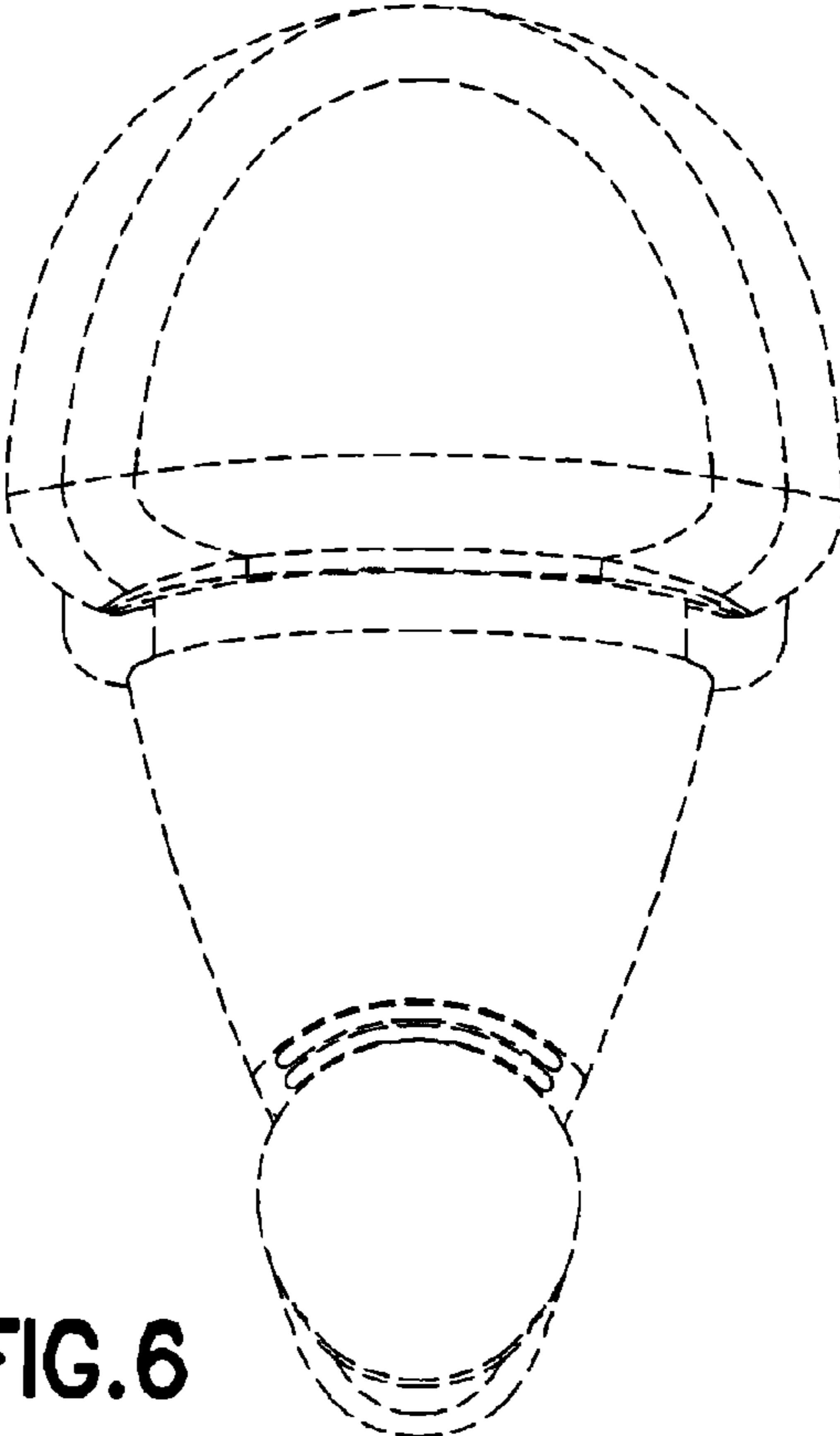


FIG. 6

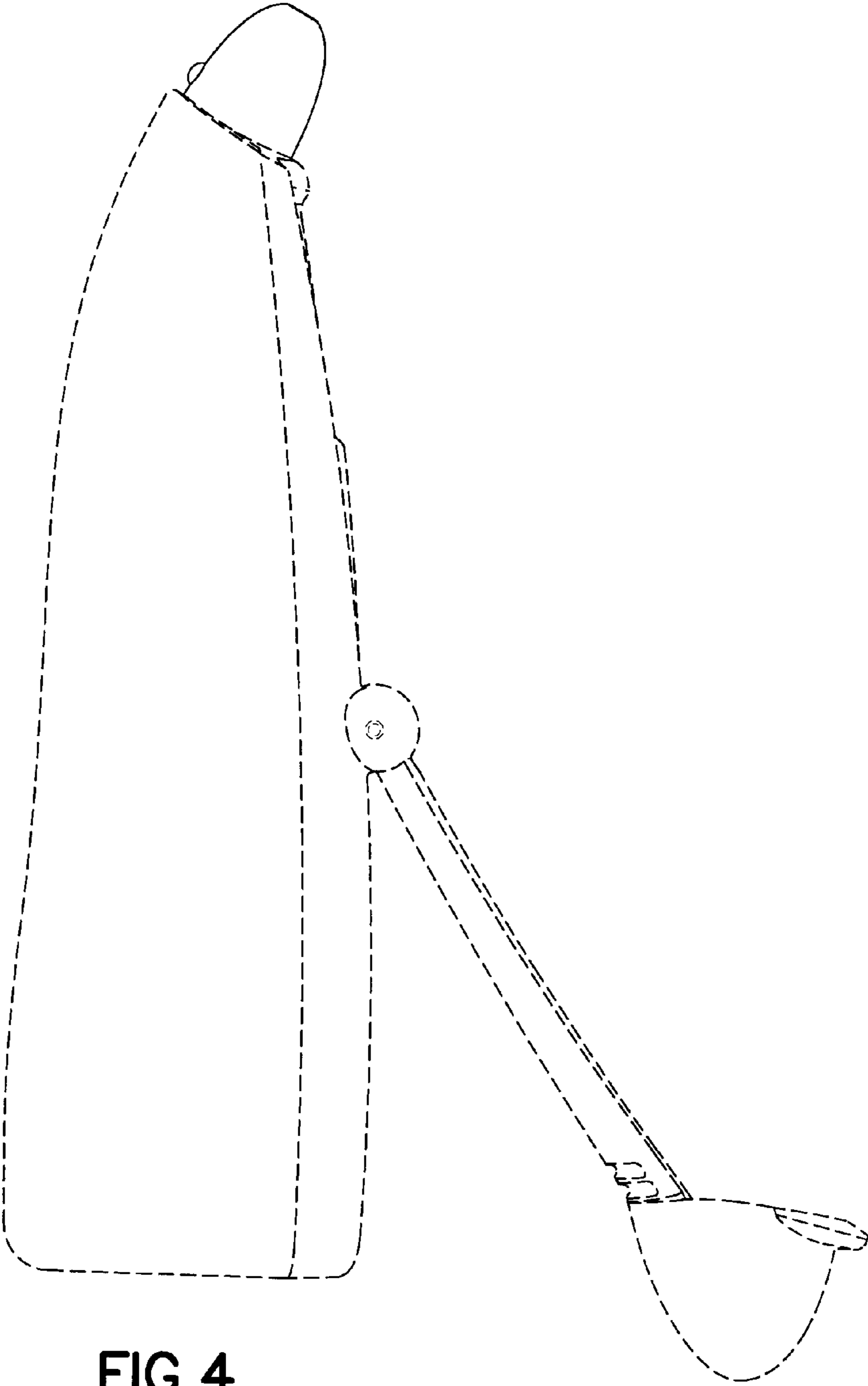


FIG. 4

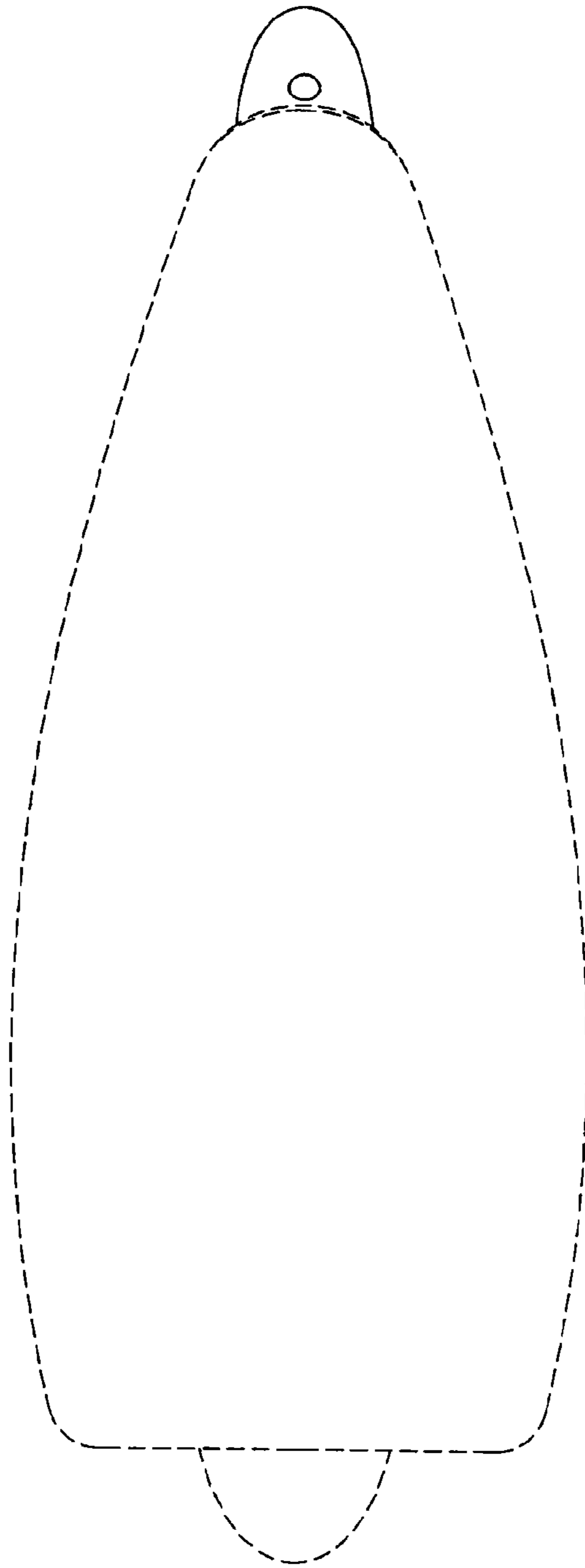


FIG.5