

US00D650062S

(12) **United States Design Patent**  
**Butler et al.**

(10) **Patent No.:** **US D650,062 S**  
(45) **Date of Patent:** **\*\* Dec. 6, 2011**

- (54) **EAR PLUG**
- (75) Inventors: **James R. Butler**, Niles, MI (US); **John J. Brown**, Buchanan, MI (US)
- (73) Assignee: **Just Plugs, LLC**, Niles, MI (US)
- (\*\*) Term: **14 Years**
- (21) Appl. No.: **29/386,324**
- (22) Filed: **Feb. 28, 2011**

6,364,052	B1	4/2002	McLean	
6,408,981	B1 *	6/2002	Smith et al.	181/126
D480,136	S	9/2003	Myers et al.	
D541,412	S *	4/2007	Benner	D24/106
D553,736	S	10/2007	Butler et al.	
D583,927	S	12/2008	Benner	
D586,182	S *	2/2009	Trombly	D7/510
D590,055	S	4/2009	Butler et al.	
D604,639	S *	11/2009	Huls et al.	D9/772
D608,441	S *	1/2010	Scharlott	D24/106
7,665,623	B2 *	2/2010	Emmerzaal	220/269
D636,484	S *	4/2011	Tiemens	D24/106

(Continued)

**Related U.S. Application Data**

- (60) Continuation-in-part of application No. 29/295,050, filed on Sep. 20, 2007, now abandoned, which is a division of application No. 29/256,088, filed on Mar. 15, 2006, now Pat. No. Des. 553,736.
- (51) **LOC (9) Cl.** ..... **24-04**
- (52) **U.S. Cl.** ..... **D24/106**
- (58) **Field of Classification Search** ..... D24/106;  
181/129, 130, 135; 128/857, 864, 865, 867,  
128/868; D9/772, 779, 780; D7/615; 215/253-258,  
215/273; 220/269, 288, 304, 604, 608, 620,  
220/630, 644, 771, 906  
See application file for complete search history.

**References Cited**

**U.S. PATENT DOCUMENTS**

2,837,263	A *	6/1958	Nasello	229/125.19
3,178,087	A *	4/1965	Stump	229/4.5
D203,629	S *	2/1966	Brock	D9/780
3,409,167	A *	11/1968	Blanchard	220/609
3,744,528	A *	7/1973	Vestal	138/89
4,253,452	A	3/1981	Powers et al.	
4,724,922	A	2/1988	Kalayijjan	
5,203,352	A	4/1993	Gardner, Jr.	
D349,571	S	8/1994	Merritt	
5,573,015	A	11/1996	Williams	
D378,127	S	2/1997	Brown	
D405,880	S	2/1999	Brown	
6,105,715	A	8/2000	Knauer	

*Primary Examiner* — Ian Simmons

*Assistant Examiner* — Carissa C Fitts

(74) *Attorney, Agent, or Firm* — Botkin & Hall, LLP

(57) **CLAIM**

The ornamental design for an ear plug, as shown and described.

**DESCRIPTION**

FIG. 1 is an isometric view of an earplug showing our new design;

FIG. 2 is a side view thereof, the opposite side view being a mirror image;

FIG. 3 is a top view thereof, the bottom view being a mirror image;

FIG. 4 is an end view thereof, as seen from the left of FIG. 2;

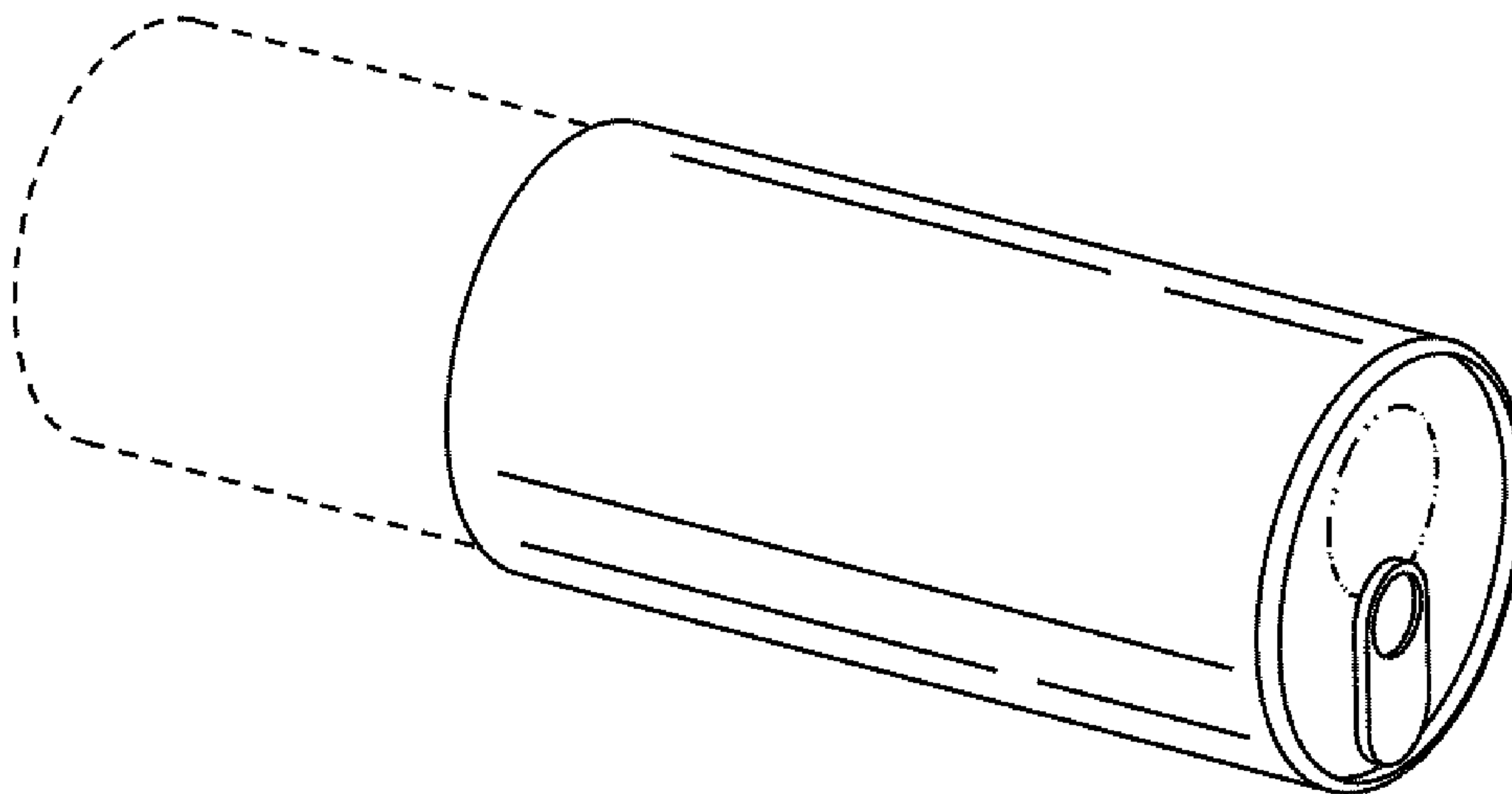
FIG. 5 is an end view thereof, as seen from the right of FIG. 2;

FIG. 6 is an isometric view of an ear plug according to the present invention with the connector and second ear plug shown in broken line for environmental purposes only and forms no part of the claim design; and,

FIG. 7 is an isometric view of an ear plug according to the present invention showing the opposite end as that shown in FIG. 1.

The broken line showing in FIGS. 1-5 and 7 are for environmental purposes only and forms no part of the claimed design.

**1 Claim, 2 Drawing Sheets**



# US D650,062 S

Page 2

---

## U.S. PATENT DOCUMENTS

2002/0139800	A1 *	10/2002	Hwang et al. ....	220/269	2007/0051725	A1 *	3/2007	Glade .....	220/254.4
2003/0098306	A1 *	5/2003	Cho .....	220/269	2007/0240931	A1	10/2007	Killion	
2004/0079579	A1	4/2004	Barwacz						

\* cited by examiner

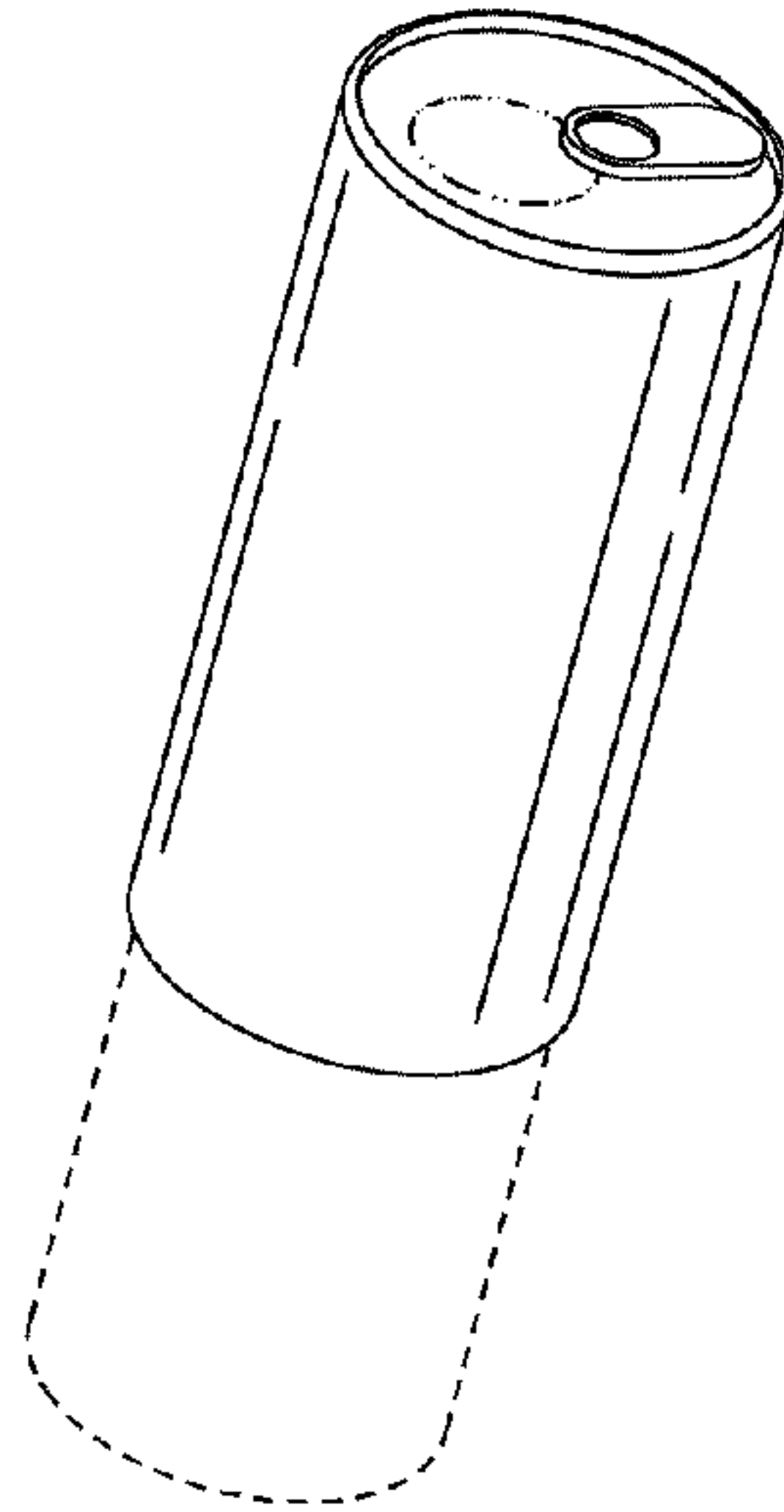


FIG. 1

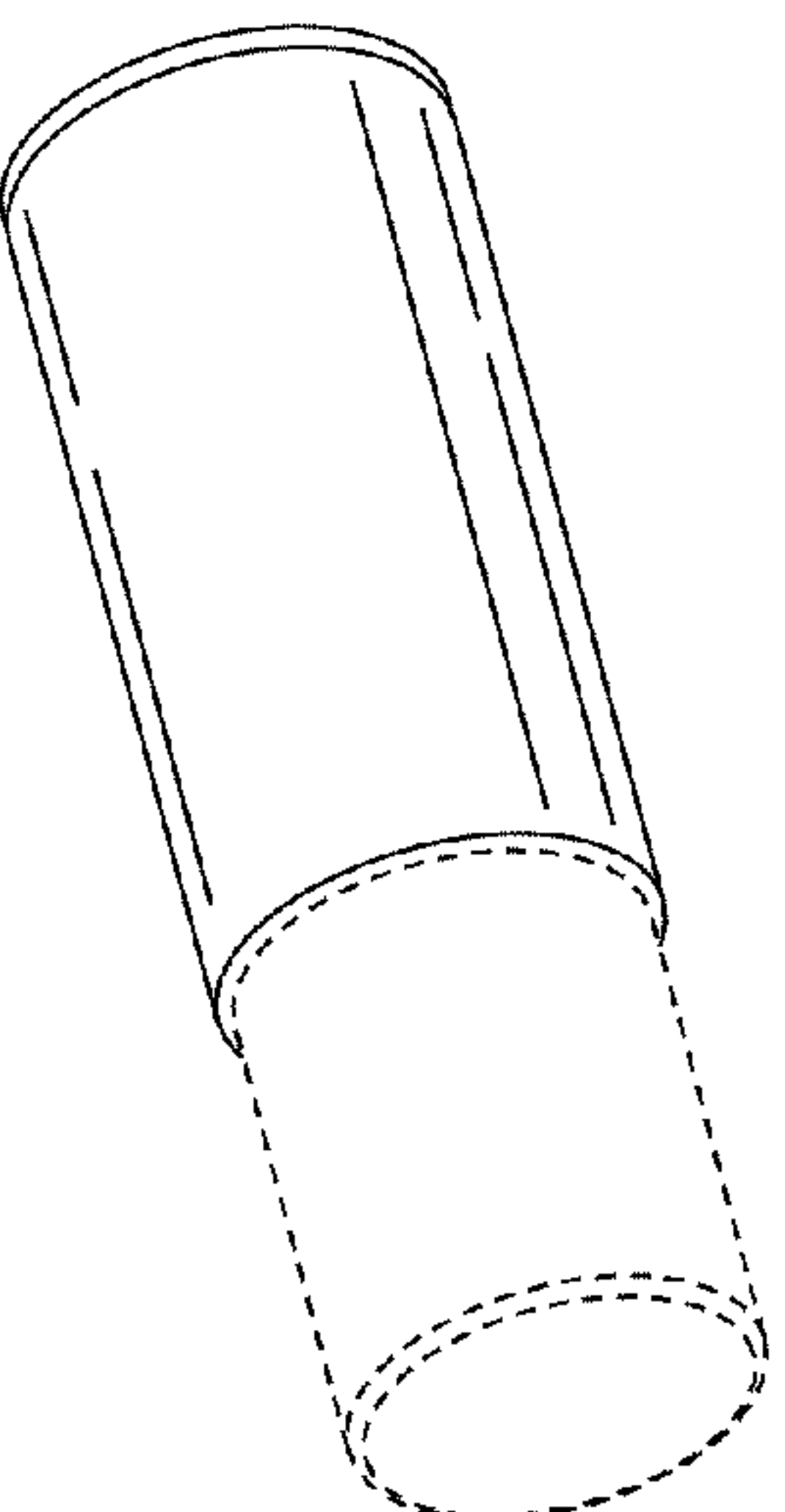


FIG. 7

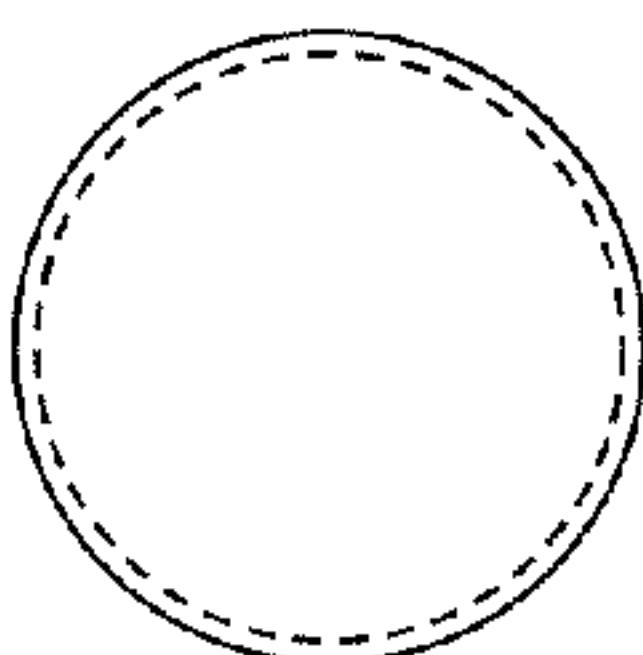


FIG. 2

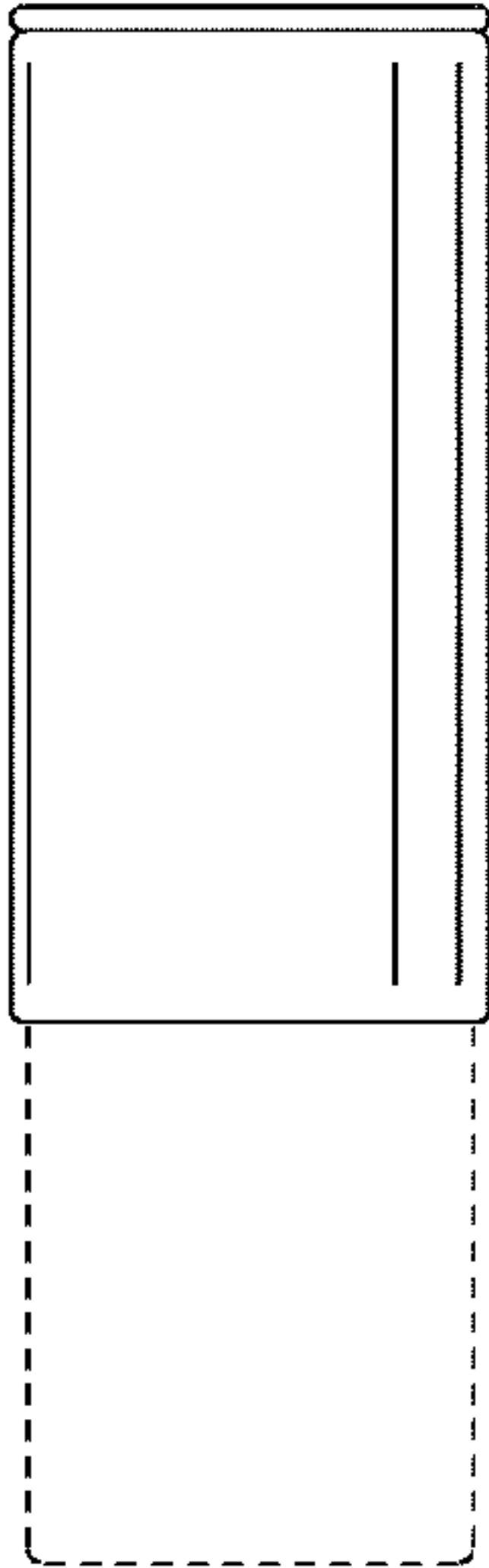


FIG. 4

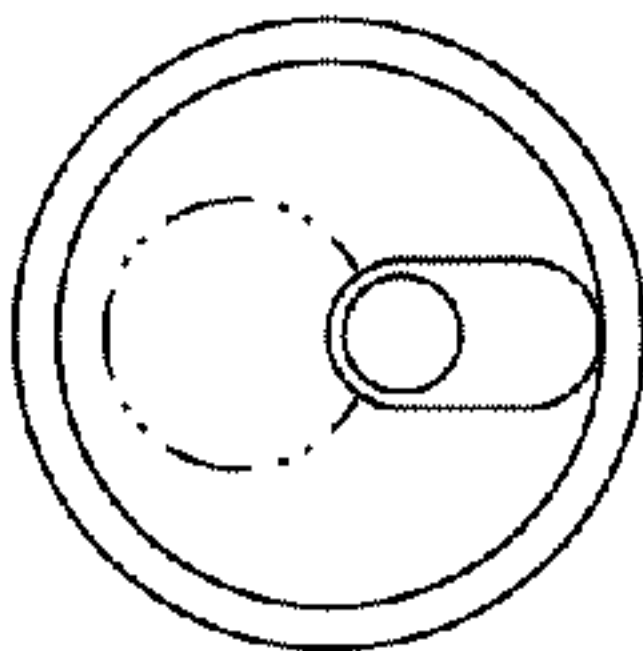


FIG. 3

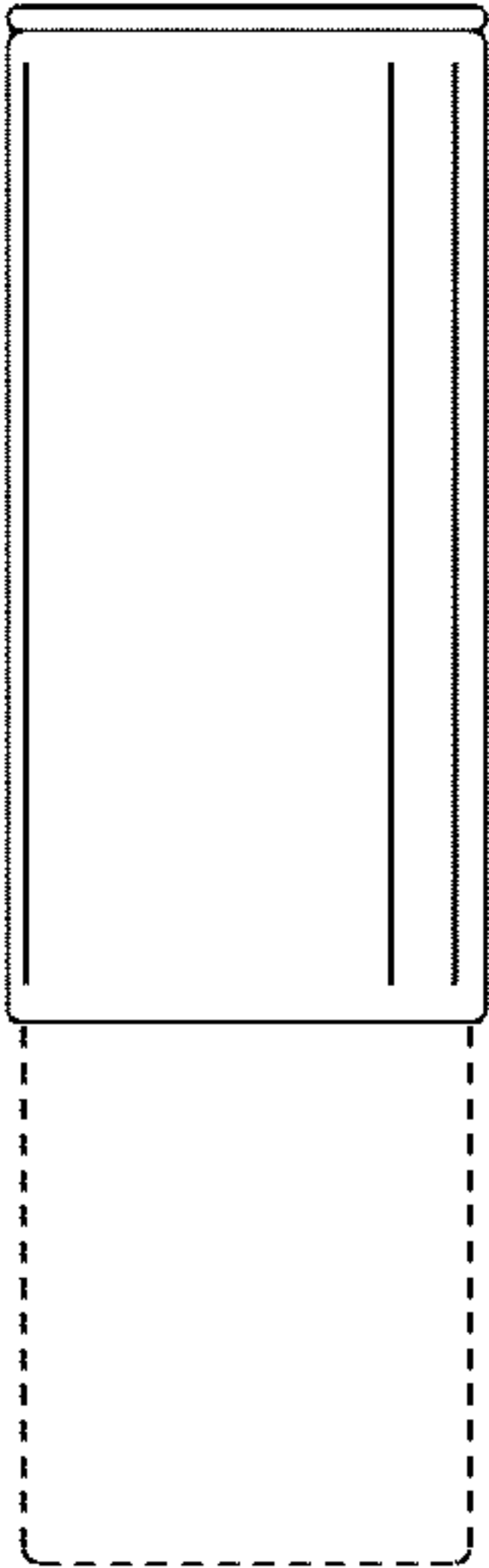


FIG. 5



FIG. 6

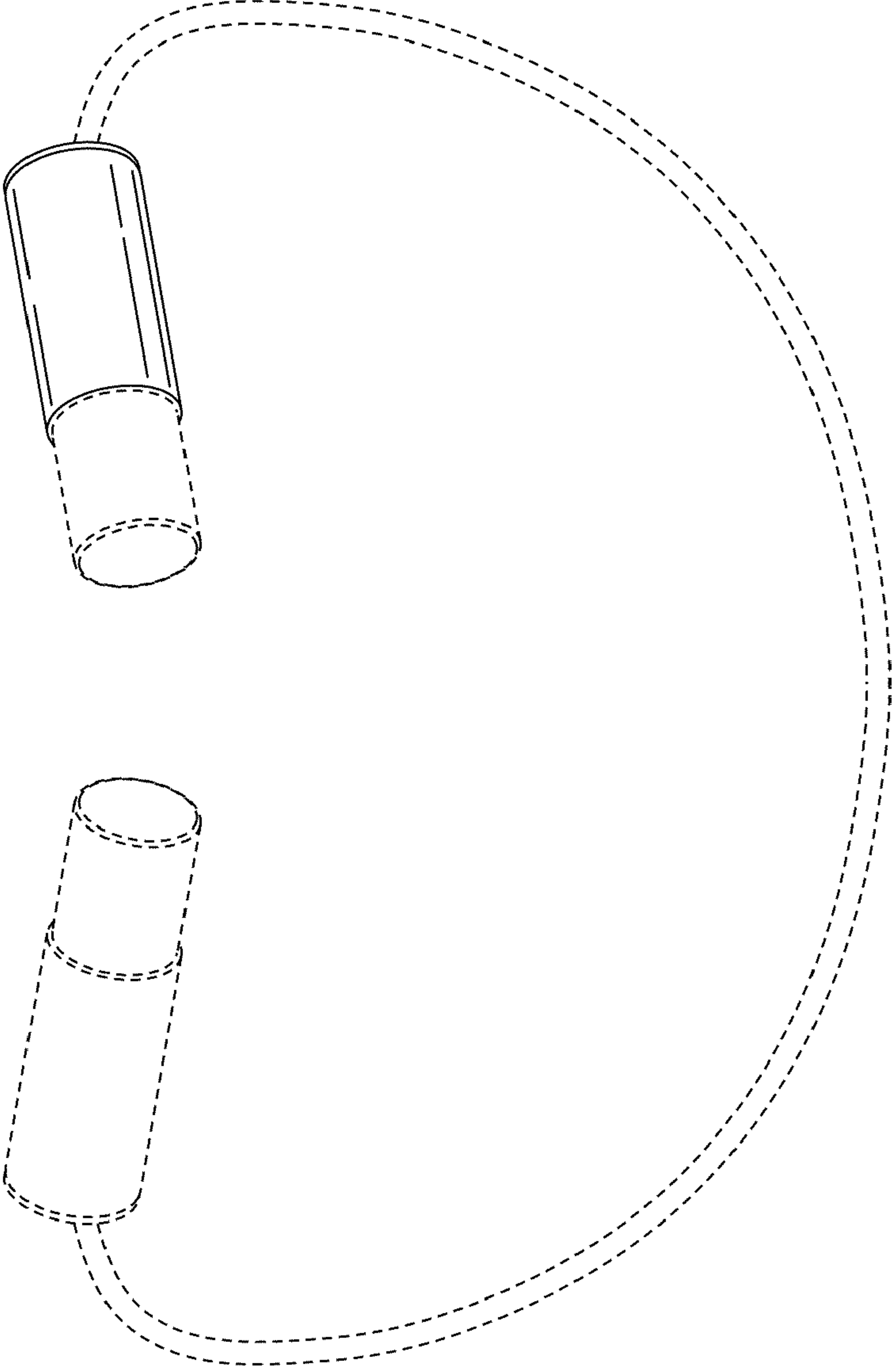


FIG. 6