



US00D650058S

(12) **United States Design Patent**  
**Riley**

(10) **Patent No.:** **US D650,058 S**

(45) **Date of Patent:** **\*\* Dec. 6, 2011**

(54) **AIR FRESHENER WITH WOOD GRAIN  
BACKING AND INTERCHANGEABLE  
SCENTED PAD**

(76) Inventor: **Michele Riley**, Pembroke Pines, FL  
(US)

(\*\*) Term: **14 Years**

(21) Appl. No.: **29/389,618**

(22) Filed: **Apr. 14, 2011**

(51) **LOC (9) Cl.** ..... **28-99**

(52) **U.S. Cl.** ..... **D23/366**

(58) **Field of Classification Search** ..... D23/355-369;  
D28/5, 6; 261/DIG. 17, DIG. 42, DIG. 47,  
261/DIG. 55, DIG. 65, DIG. 70, DIG. 88,  
261/DIG. 89; 392/386, 390, 392, 394, 395;  
239/34, 44, 53, 56, 60, 308, 326

See application file for complete search history.

(56) **References Cited**

**U.S. PATENT DOCUMENTS**

3,964,684	A *	6/1976	Schimanski	.....	239/56
D242,145	S *	11/1976	Schimanski	.....	D23/366
D247,573	S *	3/1978	Schimanski	.....	D23/366
4,993,177	A *	2/1991	Hudson	.....	40/725
D336,107	S *	6/1993	Goodman et al.	.....	D19/34.1
D382,050	S *	8/1997	Hayes	.....	D23/366

5,735,460	A *	4/1998	Eisenbraun	.....	239/34
5,950,922	A *	9/1999	Flinn	.....	239/34
D476,726	S *	7/2003	Rosenberg	.....	D23/366
D479,742	S *	9/2003	Hollingsworth	.....	D23/366
D545,067	S *	6/2007	Mischel, Jr.	.....	D6/300
D562,441	S *	2/2008	Crumble-Avery	.....	D23/366
D568,456	S *	5/2008	Hollingsworth	.....	D23/366
D610,813	S *	3/2010	Bennett	.....	D6/300

\* cited by examiner

*Primary Examiner* — Sandra Snapp

(74) *Attorney, Agent, or Firm* — Laurence A. Greenberg;  
Werner H. Stemer; Ralph E. Locher

(57) **CLAIM**

The ornamental design for an air freshener with wood grain backing and interchangeable scented pad, as shown and described.

**DESCRIPTION**

FIG. 1 is a rear elevation view of the air freshener with wood grain backing and interchangeable scented pad, showing my new design;

FIG. 2 is a front elevation view thereof;

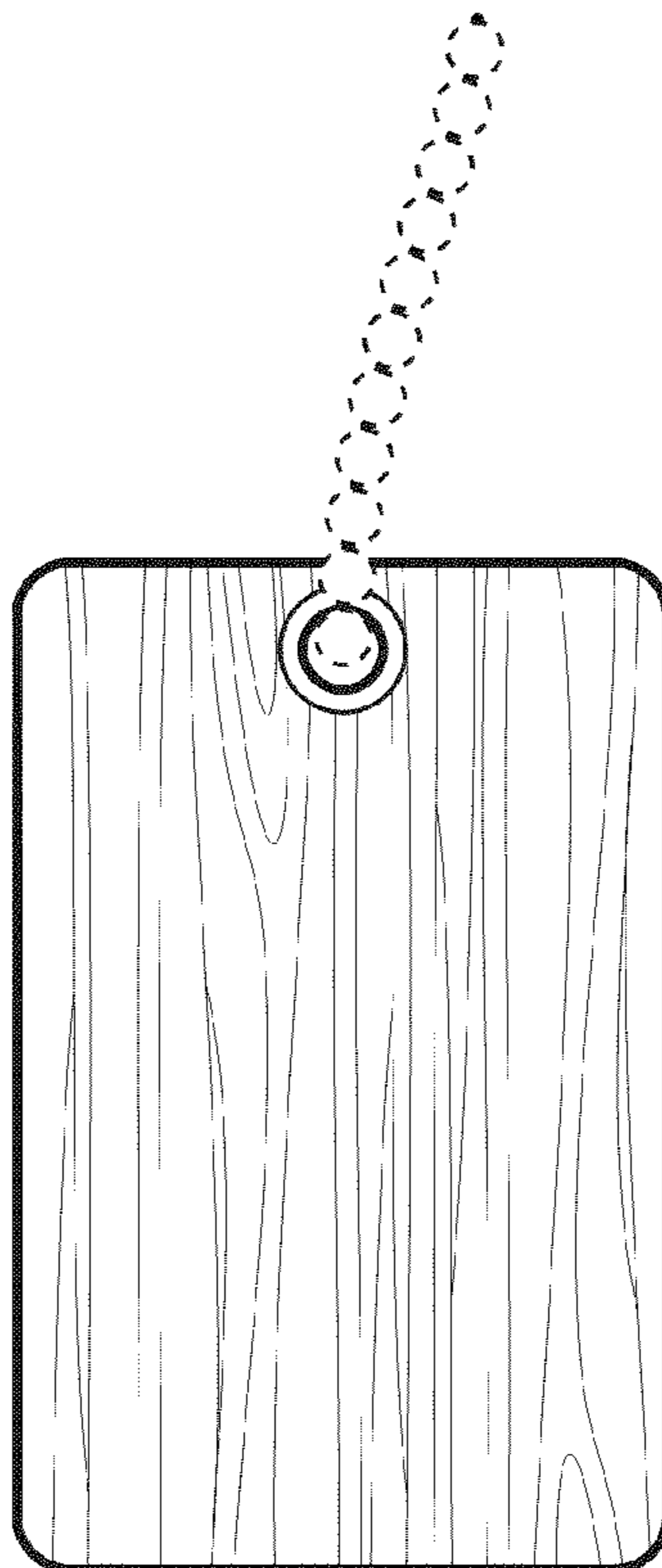
FIG. 3 is a left side, elevation view thereof;

FIG. 4 is a right side, elevation view thereof; and,

FIGS. 5 & 6 are respective bottom plan and top plan views thereof.

The broken lines are for exemplary illustrative purposes only and form no part of the claimed design.

**1 Claim, 1 Drawing Sheet**



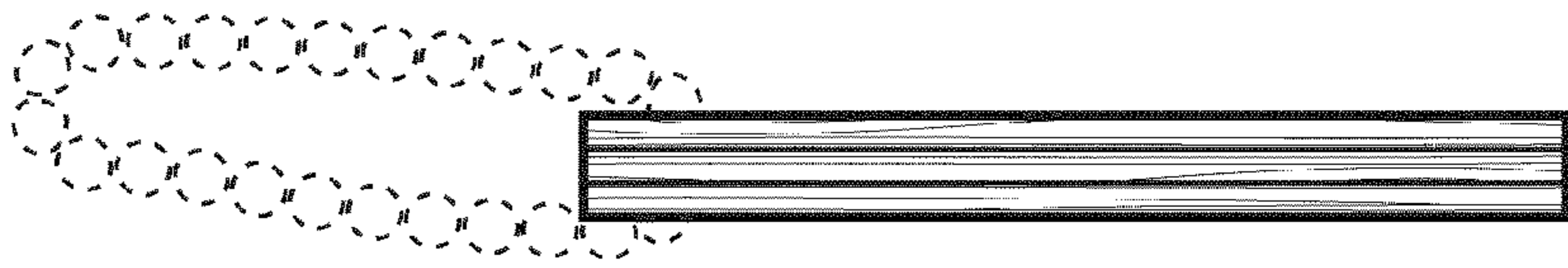


FIG. 3

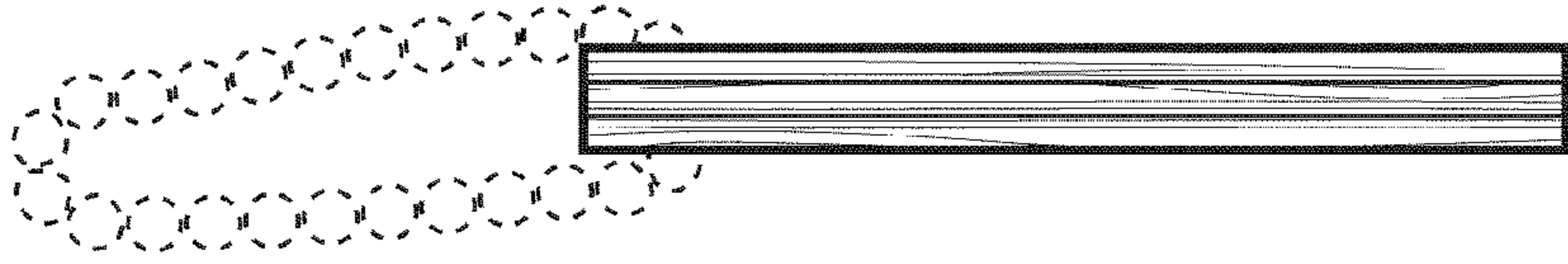


FIG. 4

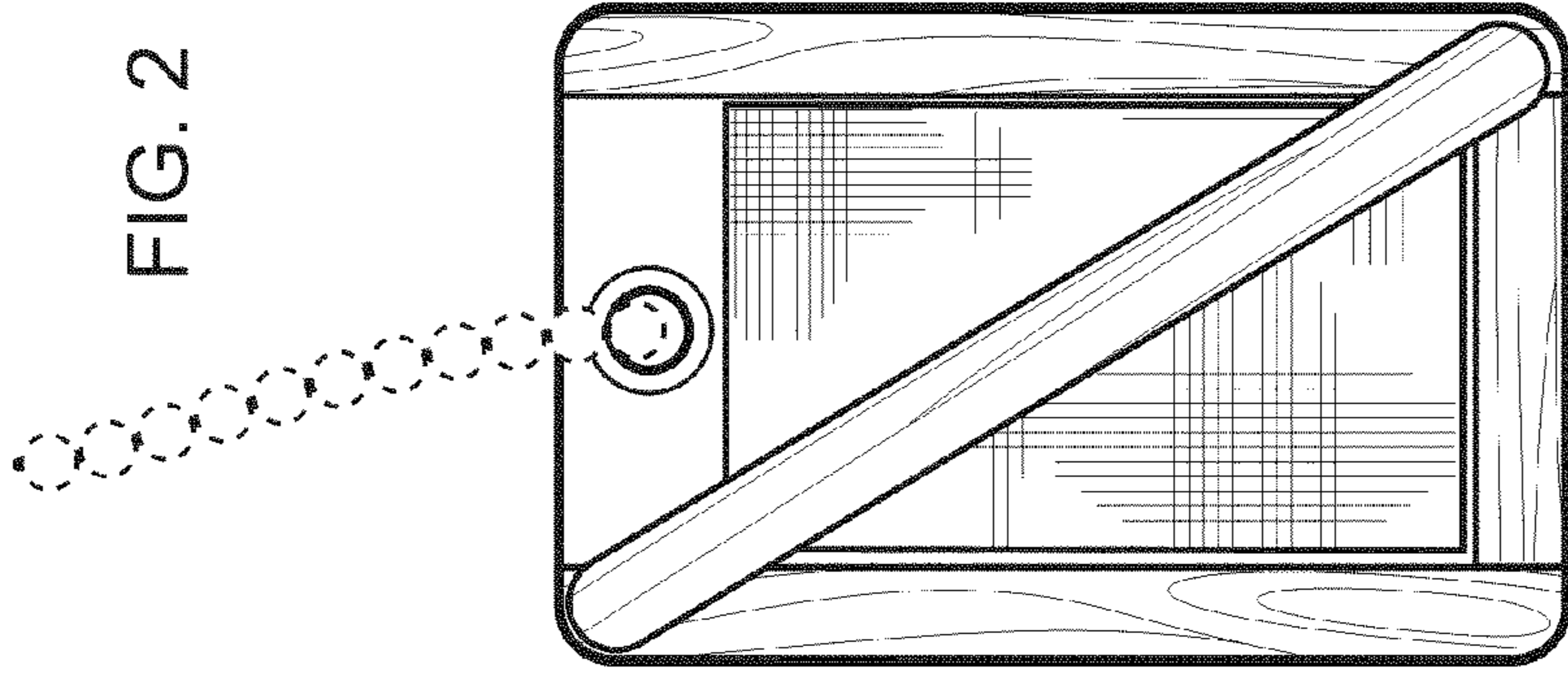


FIG. 2

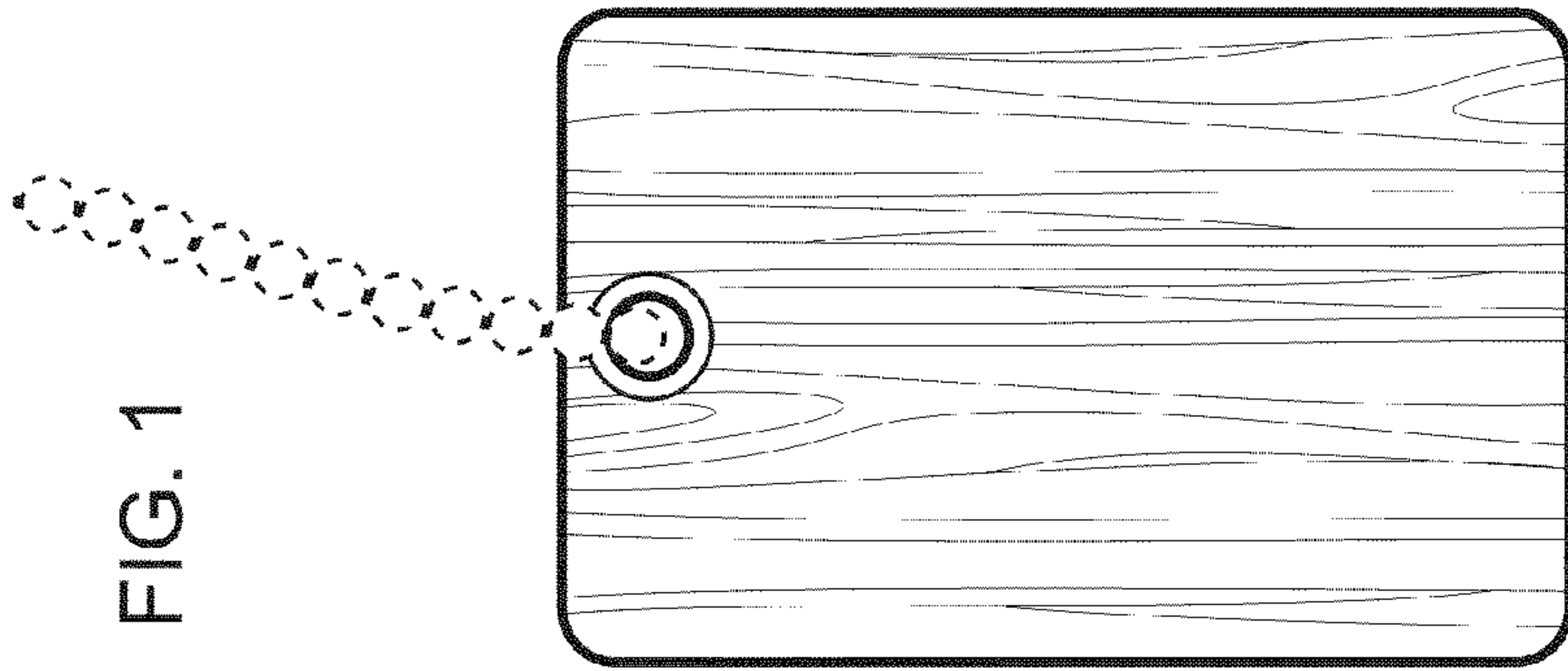


FIG. 1

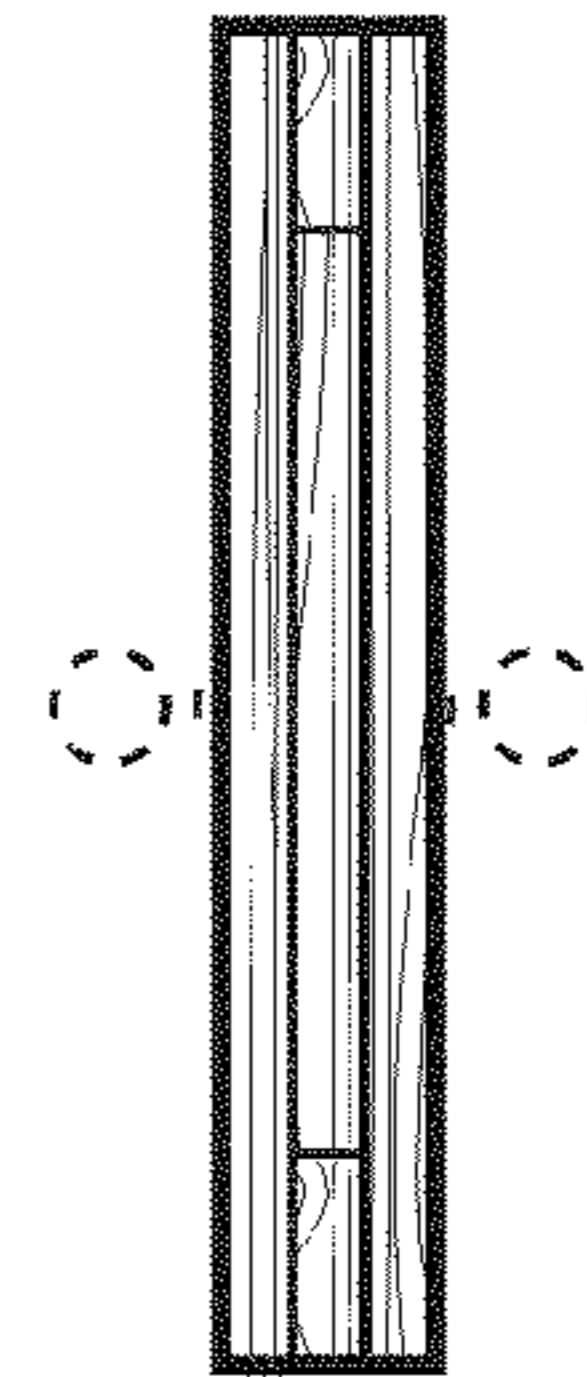


FIG. 5

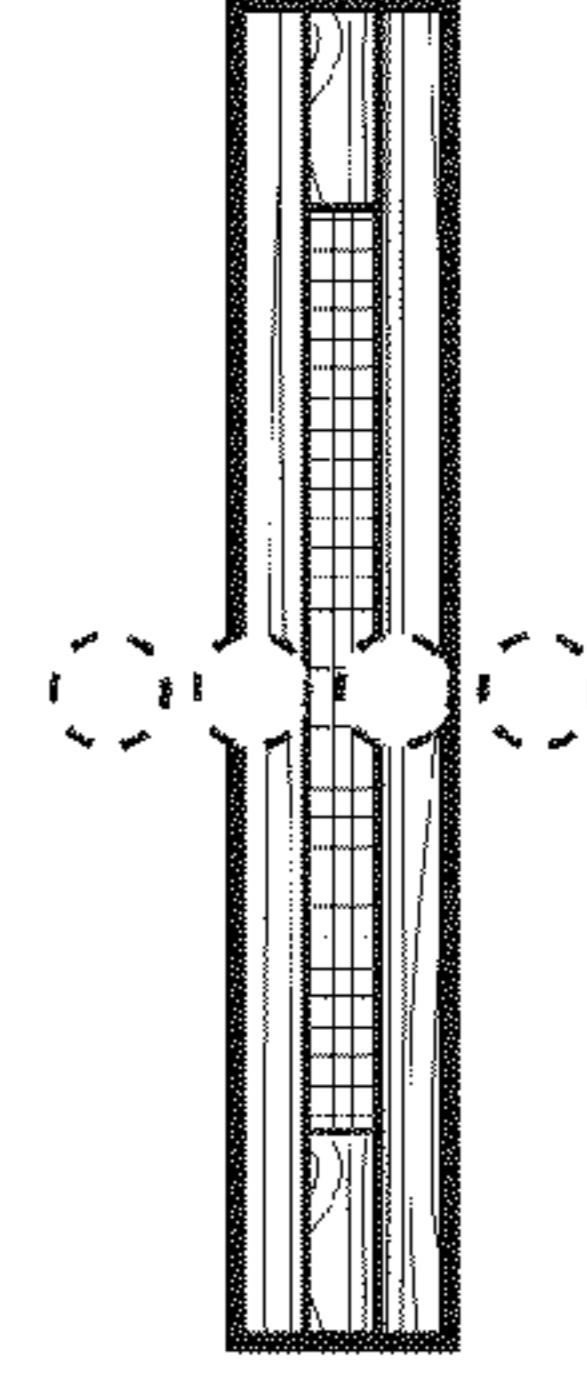


FIG. 6