



US00D650051S

(12) **United States Design Patent**
Schurle

(10) **Patent No.:** **US D650,051 S**

(45) **Date of Patent:** **** Dec. 6, 2011**

(54) **SEAL FOR FAUCET AERATOR**

(75) Inventor: **Holger Schurle**, Neuenburg (DE)

(73) Assignee: **Neoperl GmbH**, Mulheim (DE)

(**) Term: **14 Years**

(21) Appl. No.: **29/342,703**

(22) Filed: **Aug. 31, 2009**

(30) **Foreign Application Priority Data**

Jun. 17, 2009 (EM) 001146674

(51) **LOC (9) Cl.** **23-01**

(52) **U.S. Cl.** **D23/269**

(58) **Field of Classification Search** D23/238,
D23/241–242, 255, 257, 249; 239/390–391,
239/396, 427, 428.5, 462, 500, 504, 518,
239/520, 553, 553.3, 590, 590.3, 590.5, 600
See application file for complete search history.

(56) **References Cited**

U.S. PATENT DOCUMENTS

4,699,045	A *	10/1987	Hensley	454/313
D581,487	S *	11/2008	Wildfang	D23/249
D595,811	S *	7/2009	Stadtler	D23/249
D602,567	S *	10/2009	Stadtler	D23/235
D609,781	S *	2/2010	Stadtler	D23/249

D609,787	S *	2/2010	Stadtler	D23/249
D610,654	S *	2/2010	Stadtler	D23/249
D615,625	S *	5/2010	Stadtler	D23/249
2010/0127101	A1 *	5/2010	Stadtler	239/428.5
2010/0213283	A1 *	8/2010	Stadtler	239/428.5
2010/0213284	A1 *	8/2010	Stadtler	239/428.5

* cited by examiner

Primary Examiner — T. Chase Nelson

Assistant Examiner — Eric Goodman

(74) *Attorney, Agent, or Firm* — Volpe And Koenig, P.C.

(57) **CLAIM**

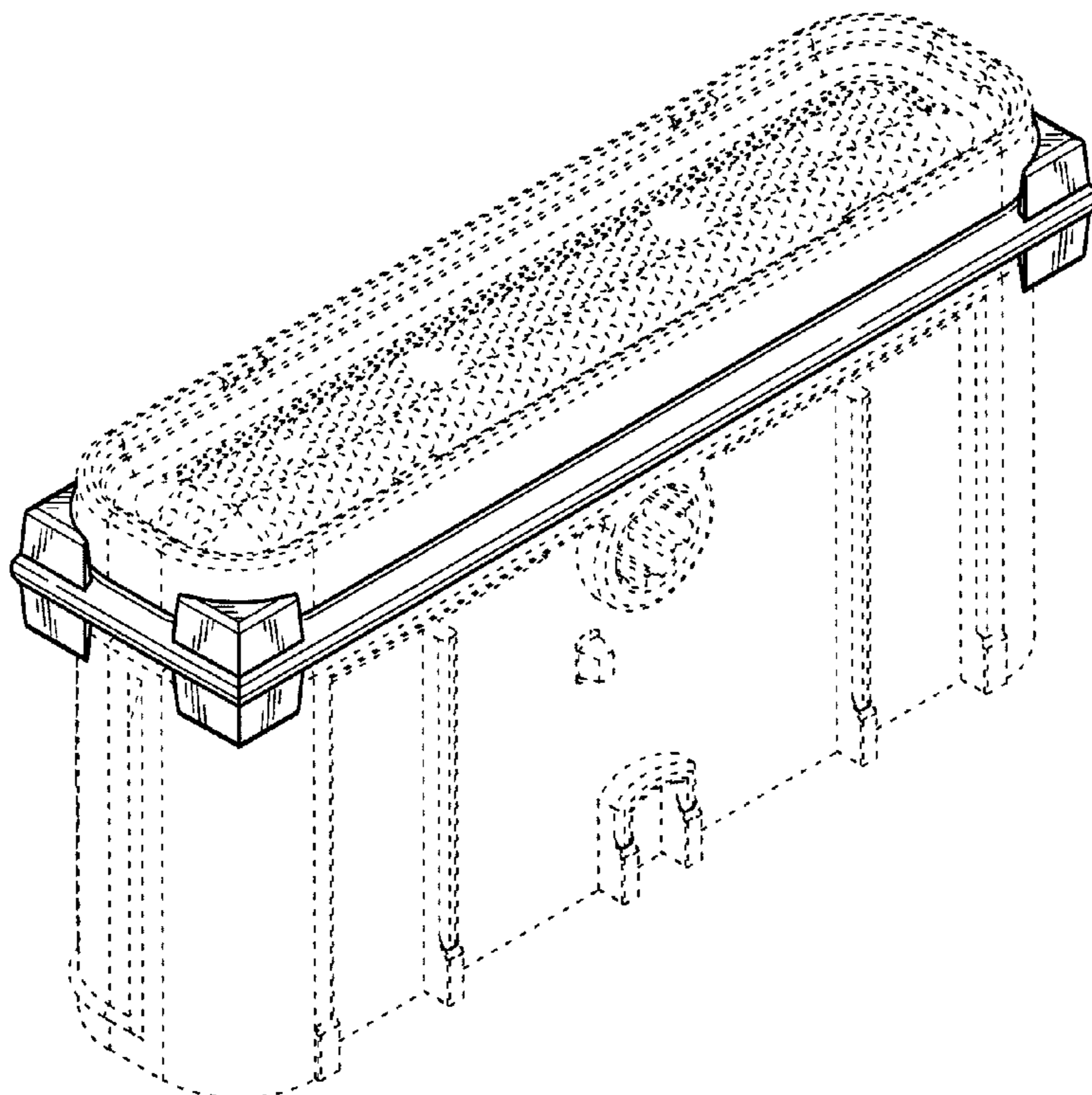
The ornamental design for a seal for faucet aerator, as shown and described.

DESCRIPTION

FIG. 1 is a top, front, left perspective view of the seal for a faucet aerator in accordance with my design;
FIG. 2 is a bottom, rear, left perspective view thereof;
FIG. 3 is a front elevational view thereof;
FIG. 4 is a rear elevational view thereof;
FIG. 5 is a left side elevational view thereof, with the right side elevational view being a mirror image thereof;
FIG. 6 is a top plan view thereof; and,
FIG. 7 is a bottom view thereof.

The broken lines illustrated form no part of the claimed design of the seal for faucet aerator.

1 Claim, 7 Drawing Sheets



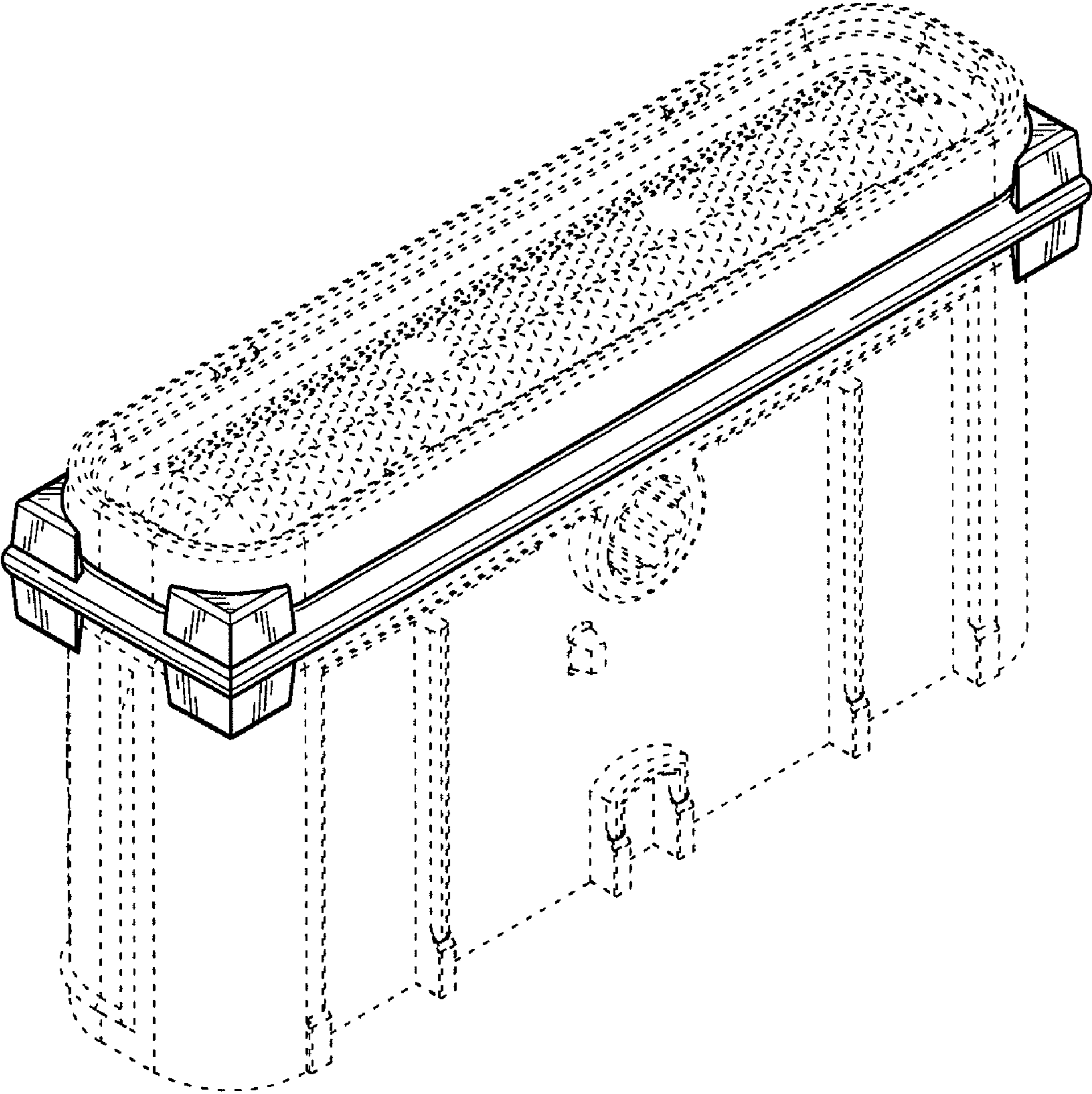


FIG. 1

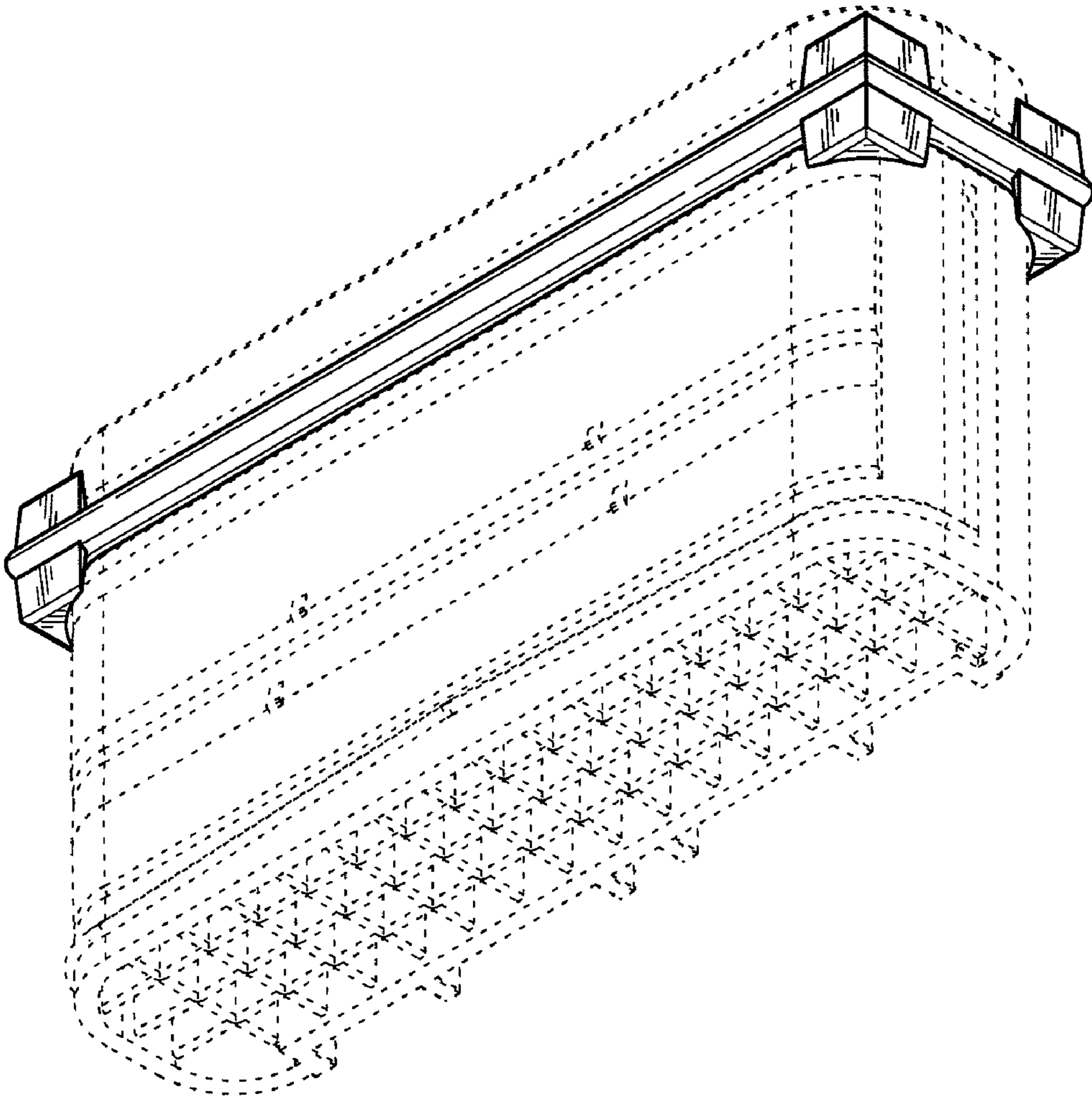


FIG. 2

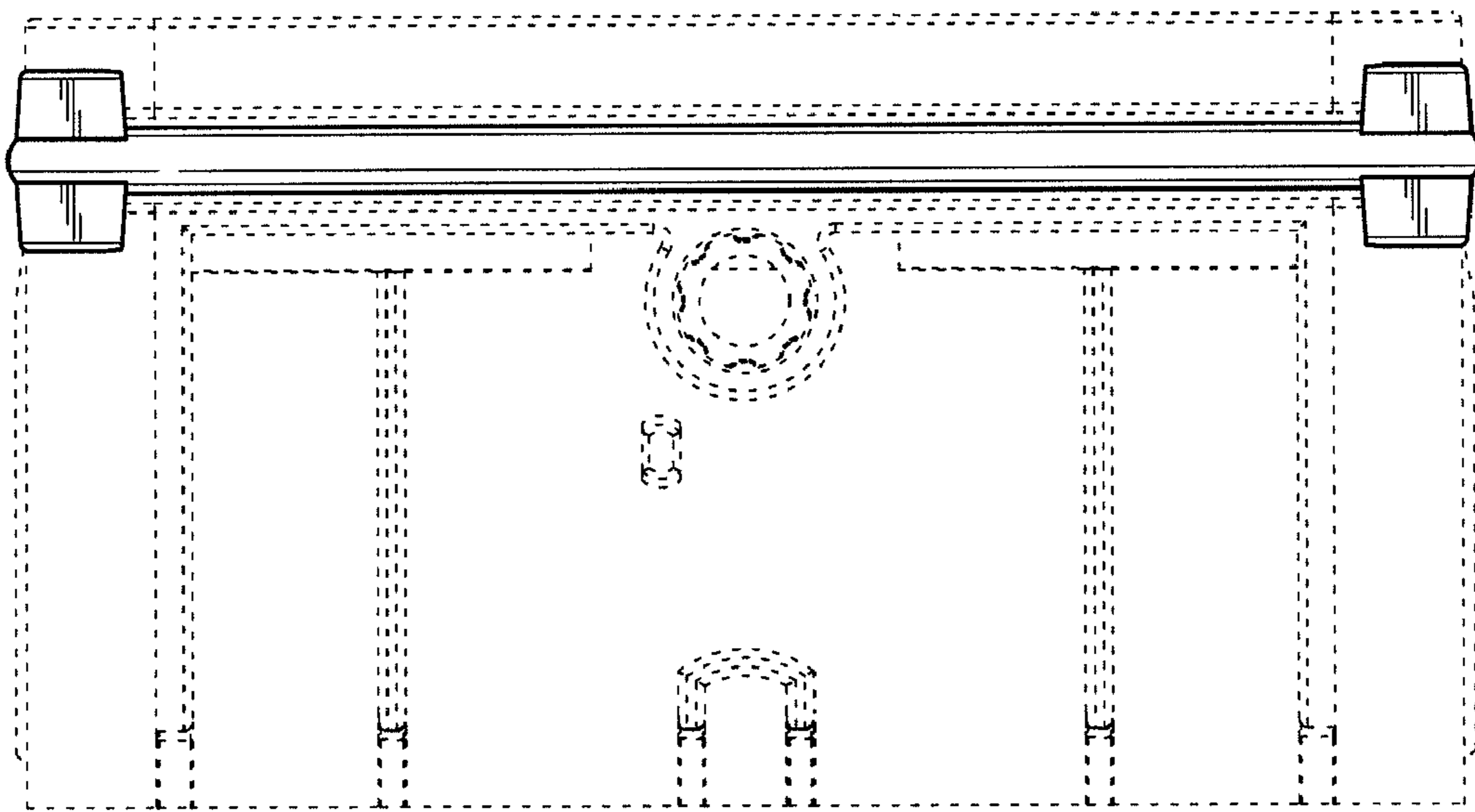


FIG. 3

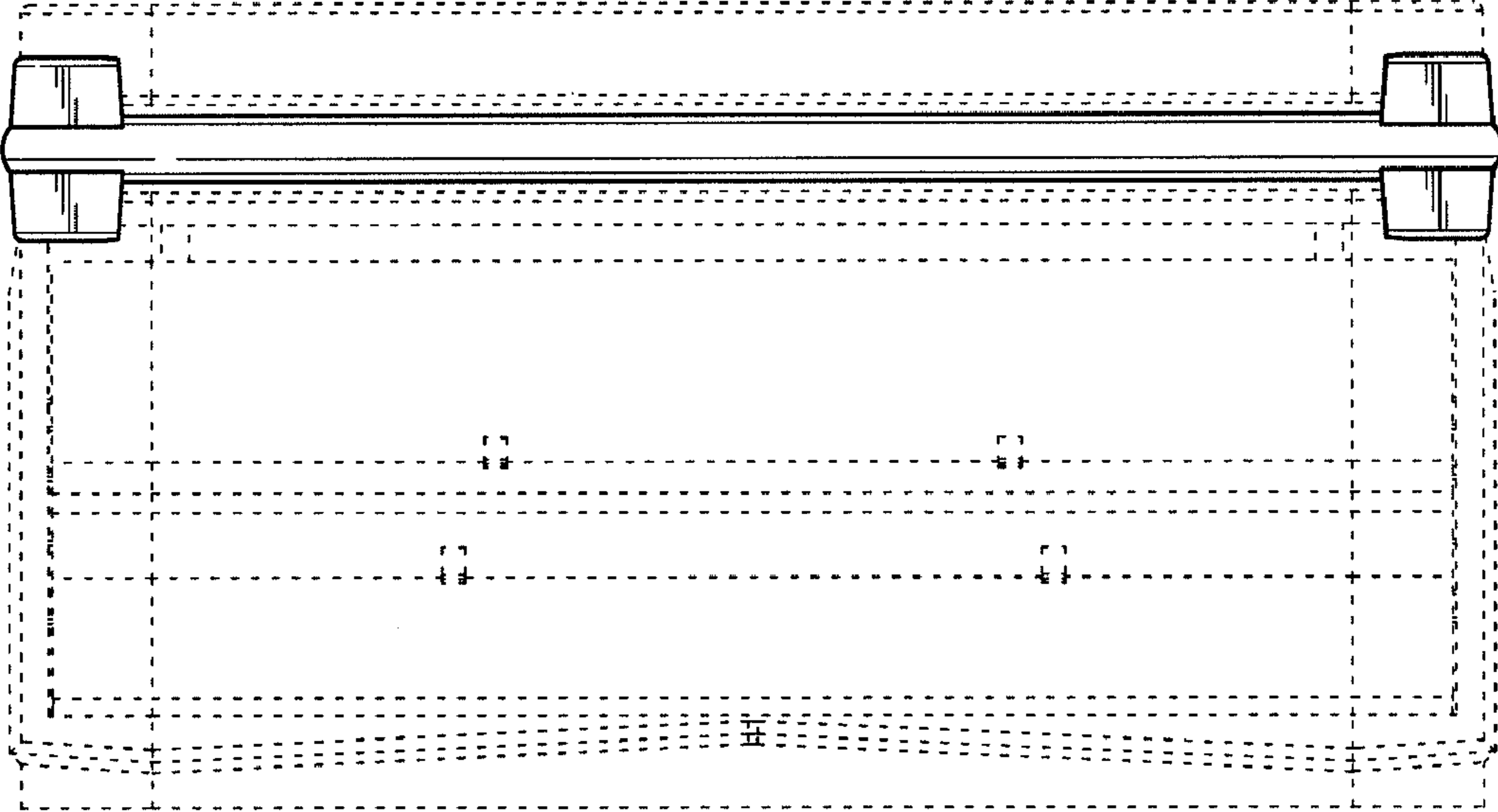


FIG. 4

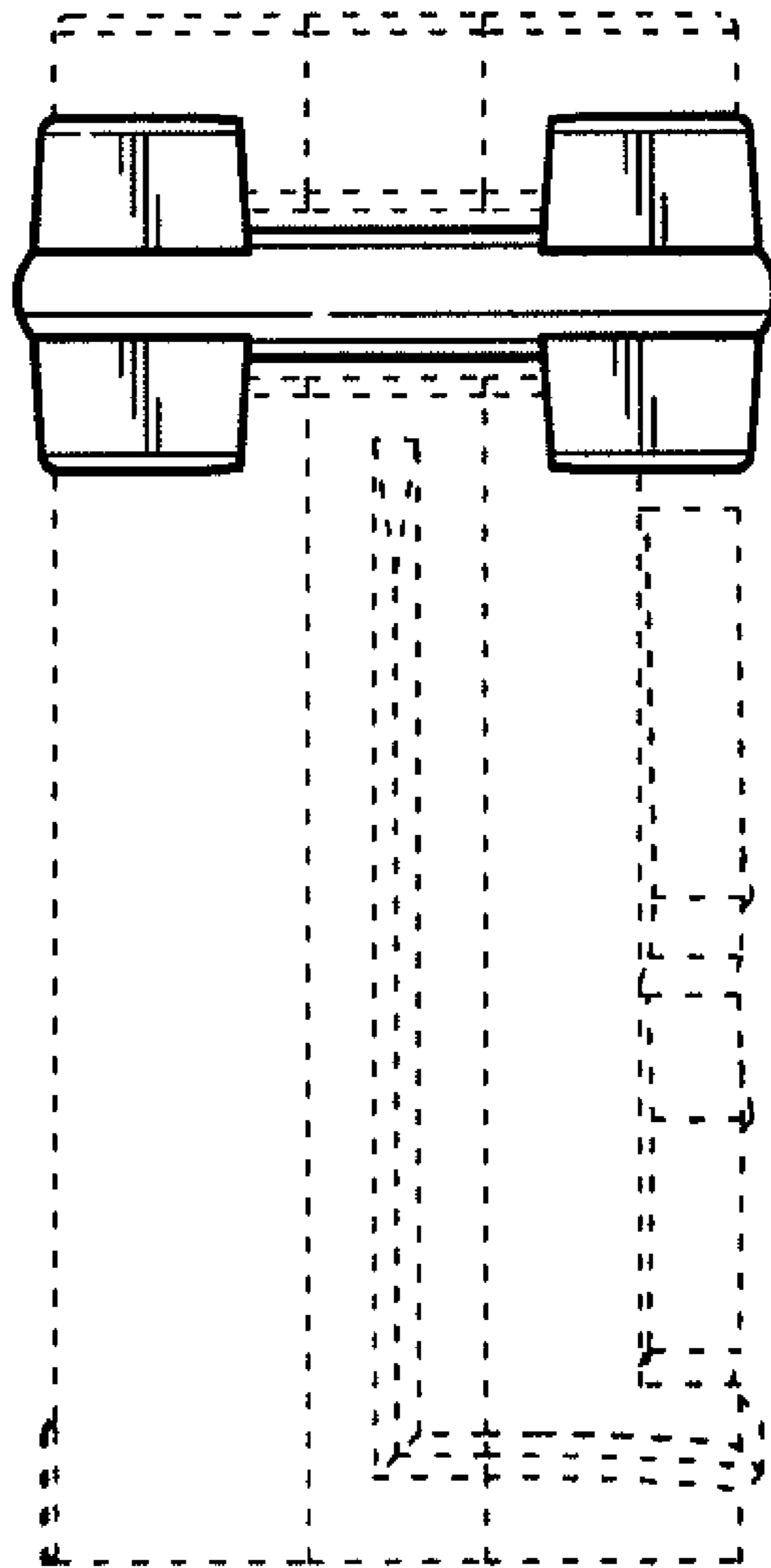


FIG. 5

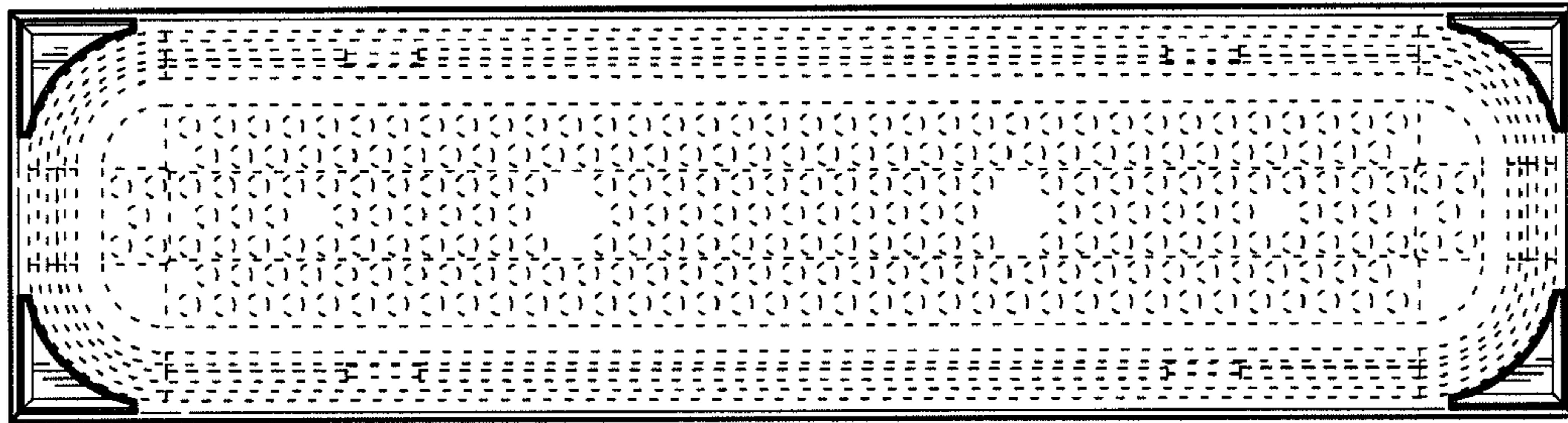


FIG. 6

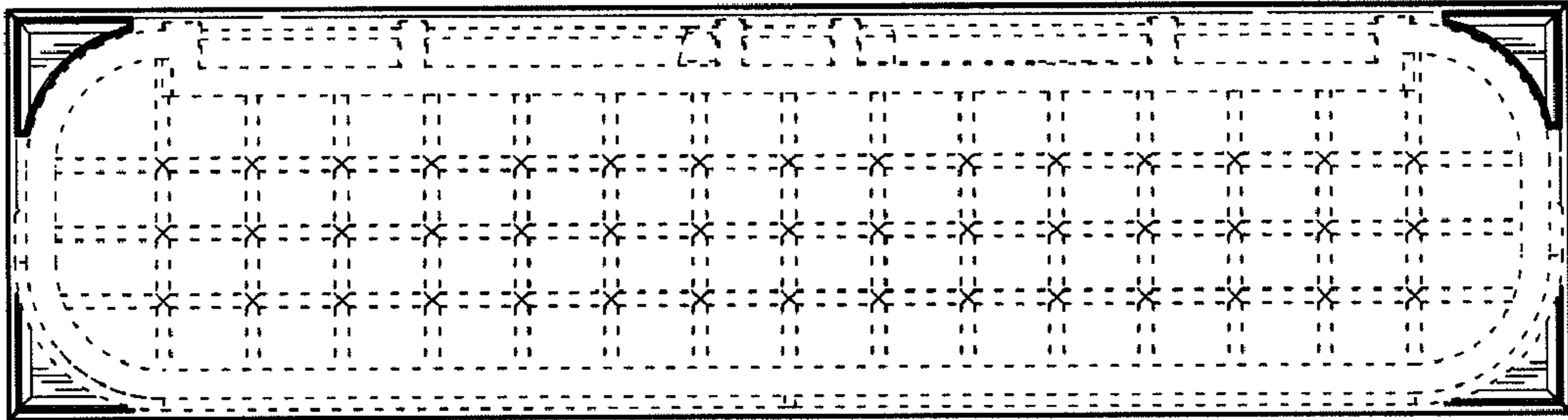


FIG. 7