



US00D650050S

(12) **United States Design Patent**
Berghuijs

(10) **Patent No.:** **US D650,050 S**

(45) **Date of Patent:** **** Dec. 6, 2011**

(54) **SAFETY DISCONNECT**

(75) **Inventor:** **Stefan Berghuijs**, Alkmaar (NL)

(73) **Assignee:** **Plymo Vent AB** (SE)

(**) **Term:** **14 Years**

(21) **Appl. No.:** **29/364,469**

(22) **Filed:** **Jun. 24, 2010**

(51) **LOC (9) Cl.** **23-02**

(52) **U.S. Cl.** **D23/262**

(58) **Field of Classification Search** D23/259-262;
285/197, 180, 285.1-296.1, 18, 34-35, 275,
285/277; 251/149.1, 150

See application file for complete search history.

(56) **References Cited**

U.S. PATENT DOCUMENTS

3,074,670	A *	1/1963	Breuning	244/135 R
3,351,362	A *	11/1967	Hansen	285/83
D280,659	S *	9/1985	Arhun et al.	D23/228
D296,581	S *	7/1988	Hattori	D23/262
D320,841	S *	10/1991	Breadmont	D23/262
5,365,973	A *	11/1994	Fink et al.	137/614.04
5,569,235	A *	10/1996	Ross et al.	604/403
D561,304	S *	2/2008	Vansell et al.	D23/262
7,568,737	B2 *	8/2009	Wells et al.	285/391
7,575,023	B2 *	8/2009	Fraser	137/614.04

D630,307	S *	1/2011	Rigolio	D23/262
D637,693	S *	5/2011	Riedel	D23/209
D637,697	S *	5/2011	Steiner	D23/262
2004/0099318	A1 *	5/2004	Mikiya et al.	137/614.04
2009/0108580	A1 *	4/2009	Hoffman	285/277

* cited by examiner

Primary Examiner — T. Chase Nelson

Assistant Examiner — Eric Goodman

(74) *Attorney, Agent, or Firm* — Lerner, David, Littenberg, Krumholz & Mentlik, LLP

(57) **CLAIM**

The ornamental design for a safety disconnect, as shown and described.

DESCRIPTION

FIG. 1 is a perspective view of a safety disconnect showing my new design;

FIG. 2 is a front elevational view thereof;

FIG. 3 is a rear elevational view thereof;

FIG. 4 is a right-side elevational view thereof;

FIG. 5 is a left-side elevational view thereof;

FIG. 6 is a top plan view thereof; and,

FIG. 7 is a bottom plan view thereof.

The broken lines in the drawings are for illustrative purposes only and form no part of the claimed design.

1 Claim, 4 Drawing Sheets

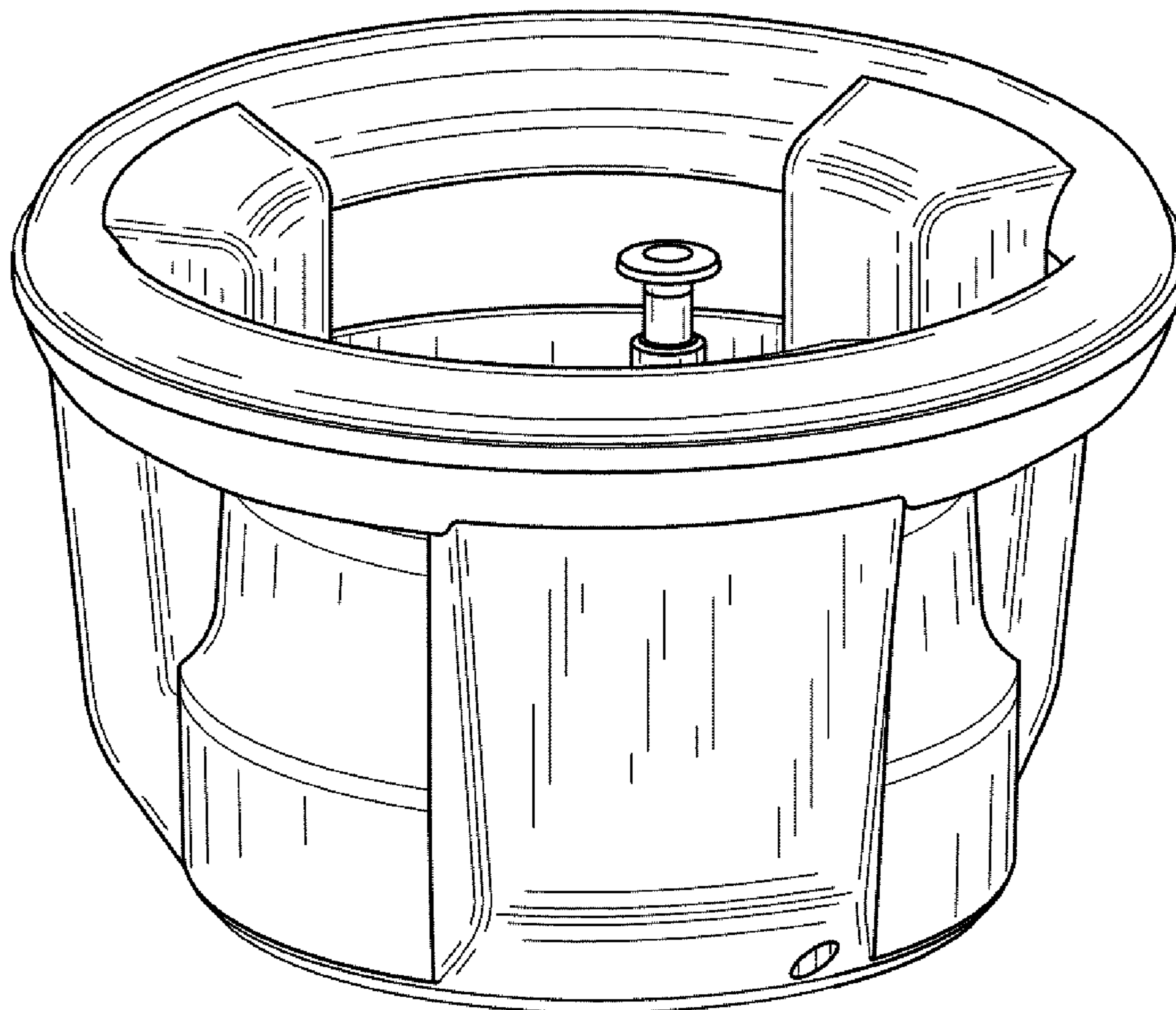


FIG. 1

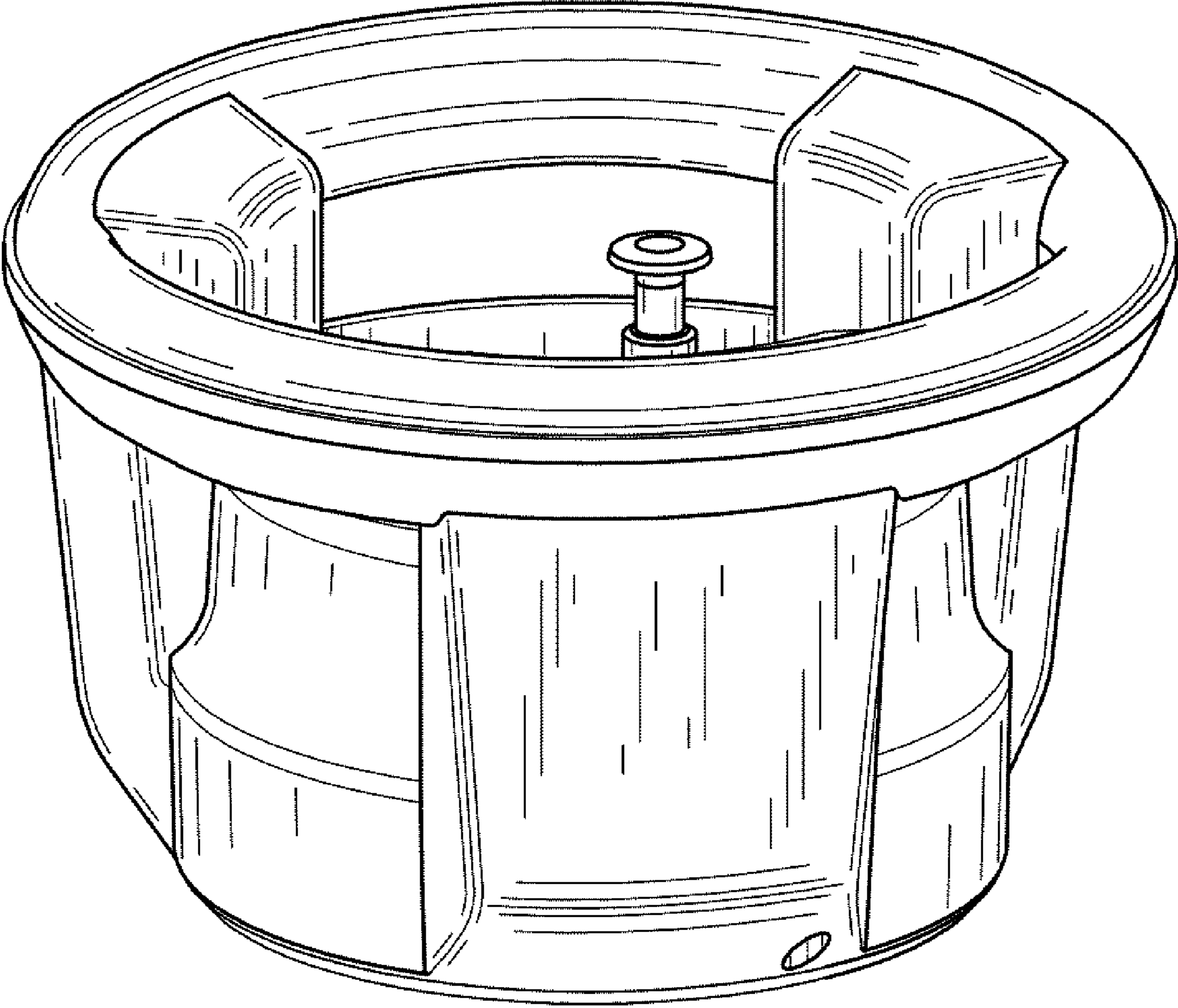


FIG. 2

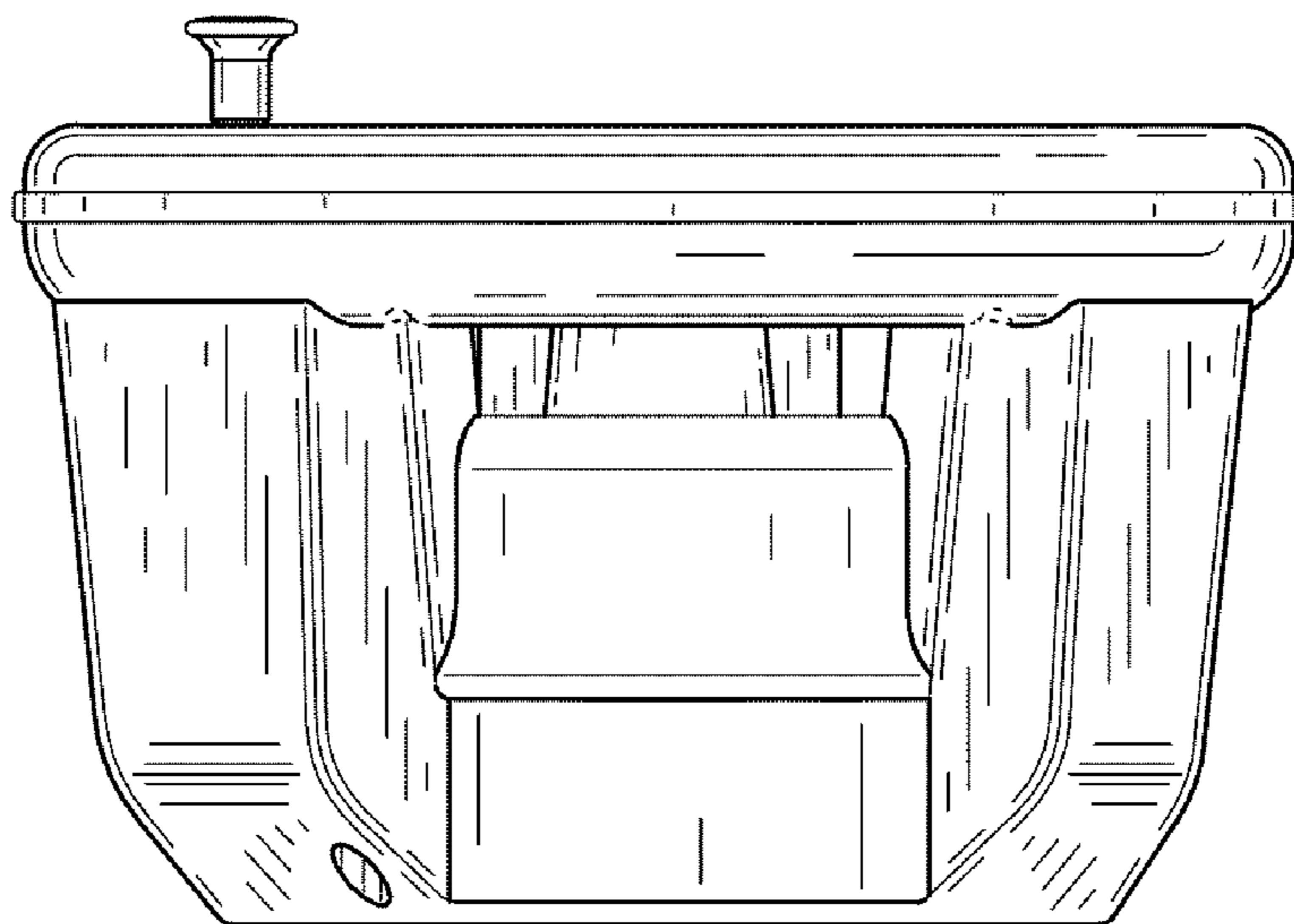


FIG. 3

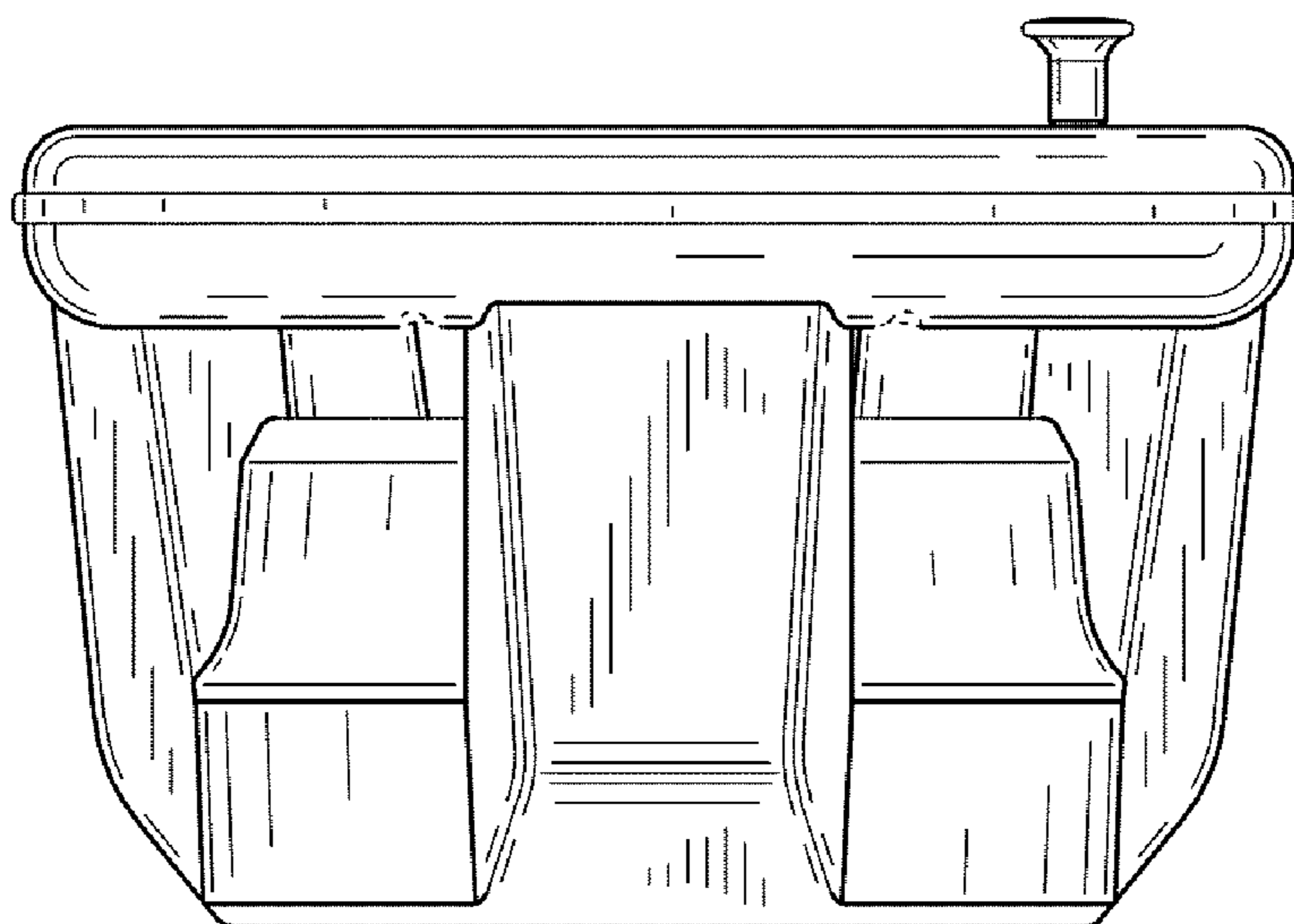


FIG. 4

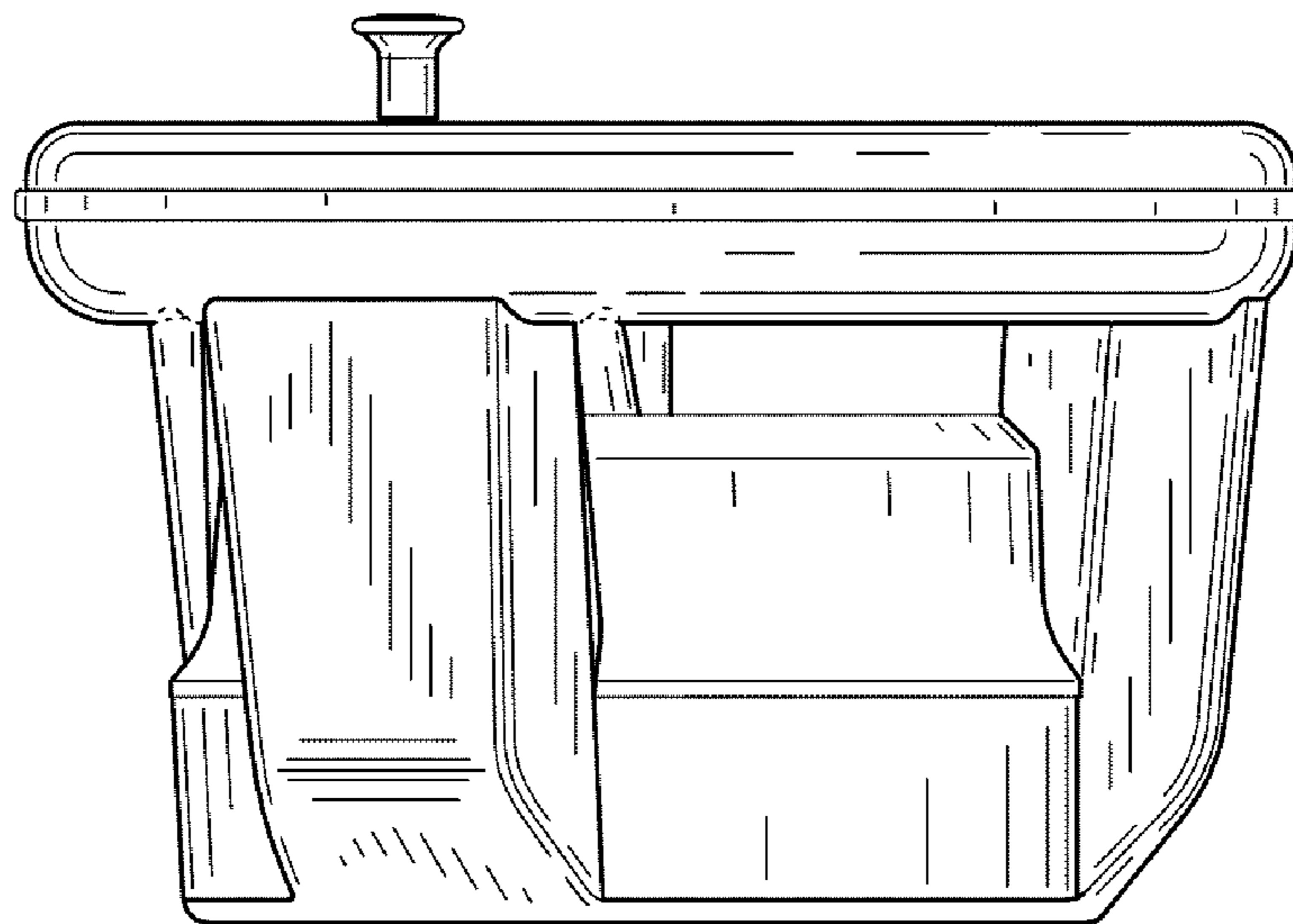


FIG. 5

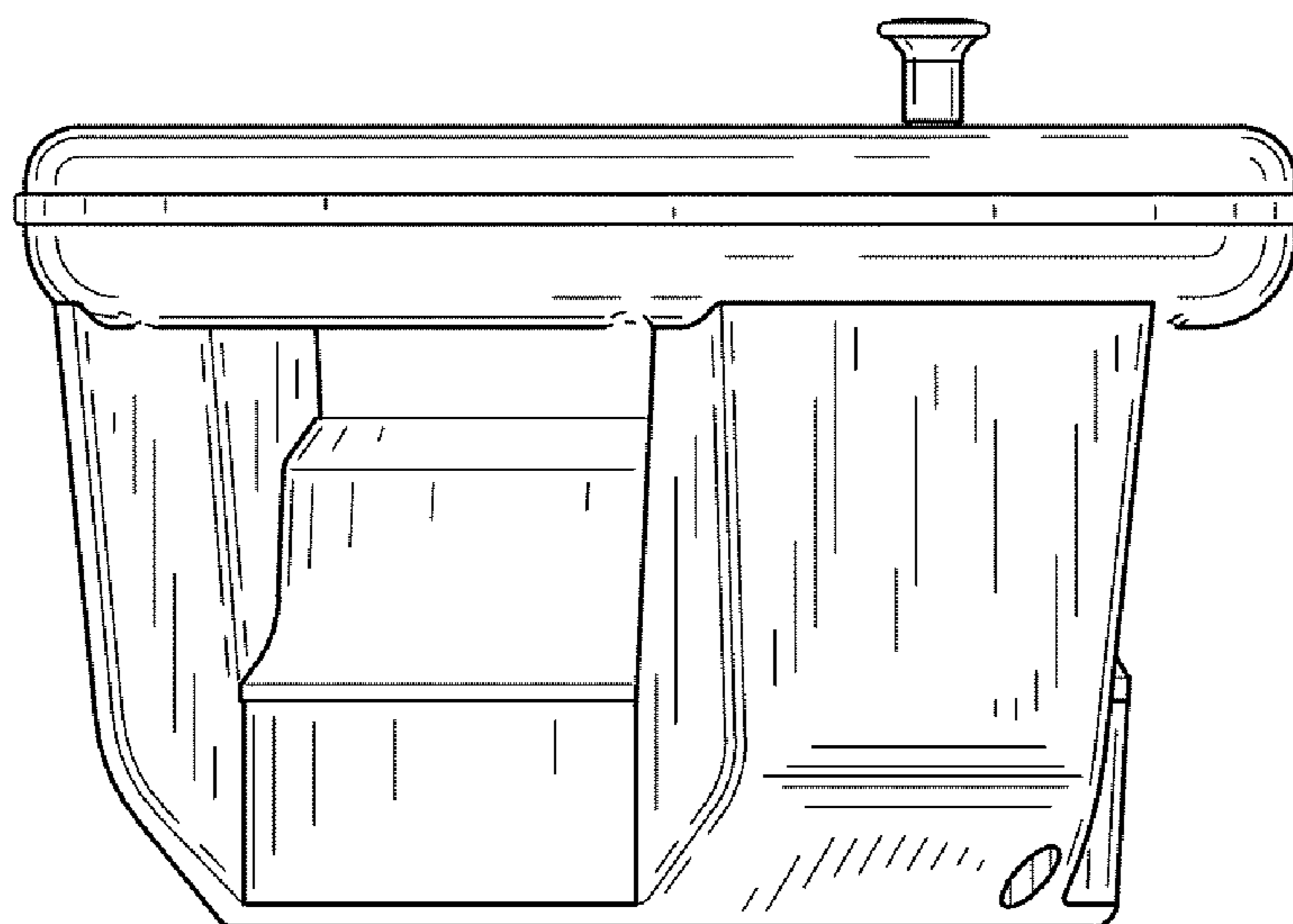


FIG. 6

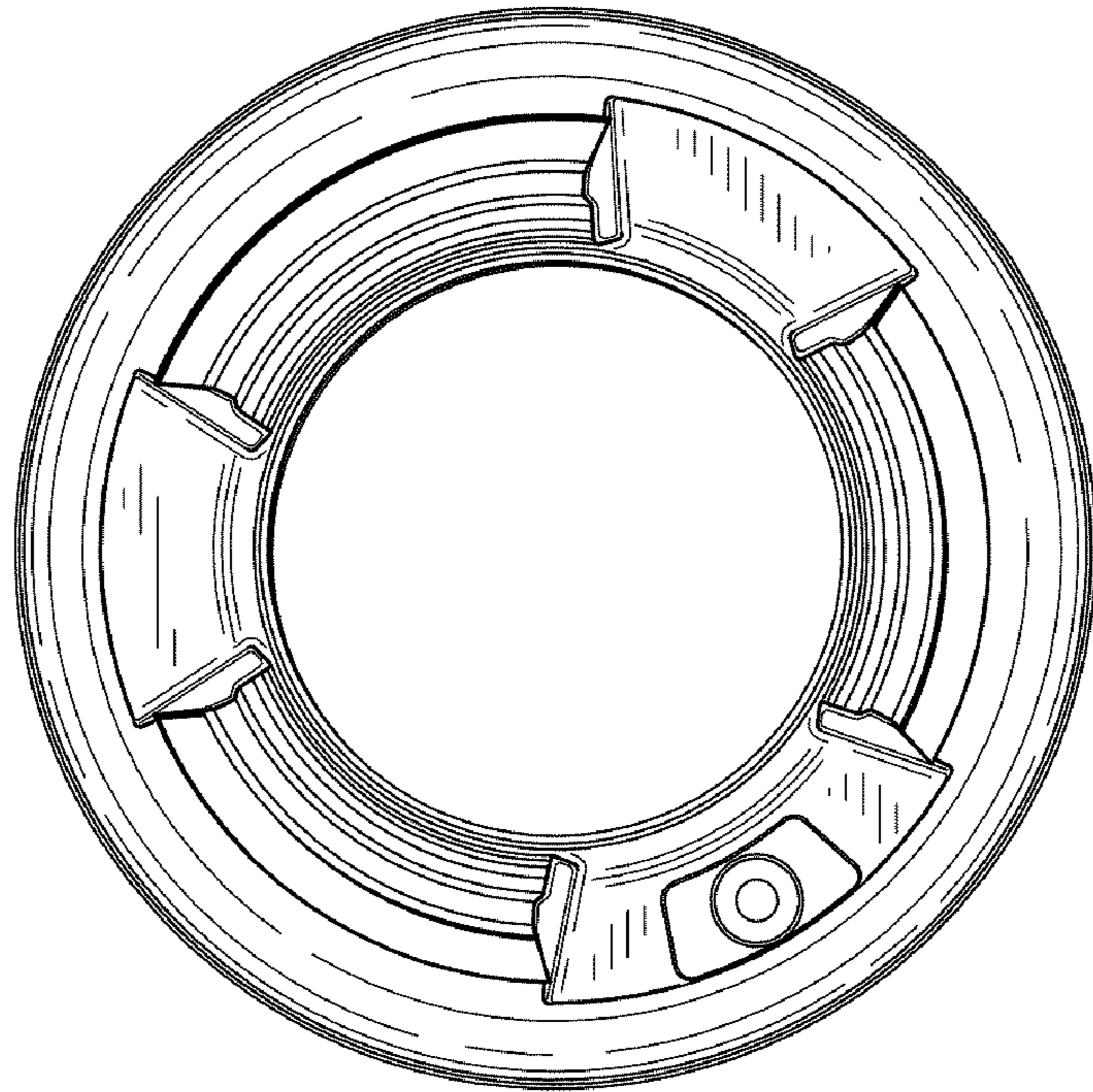
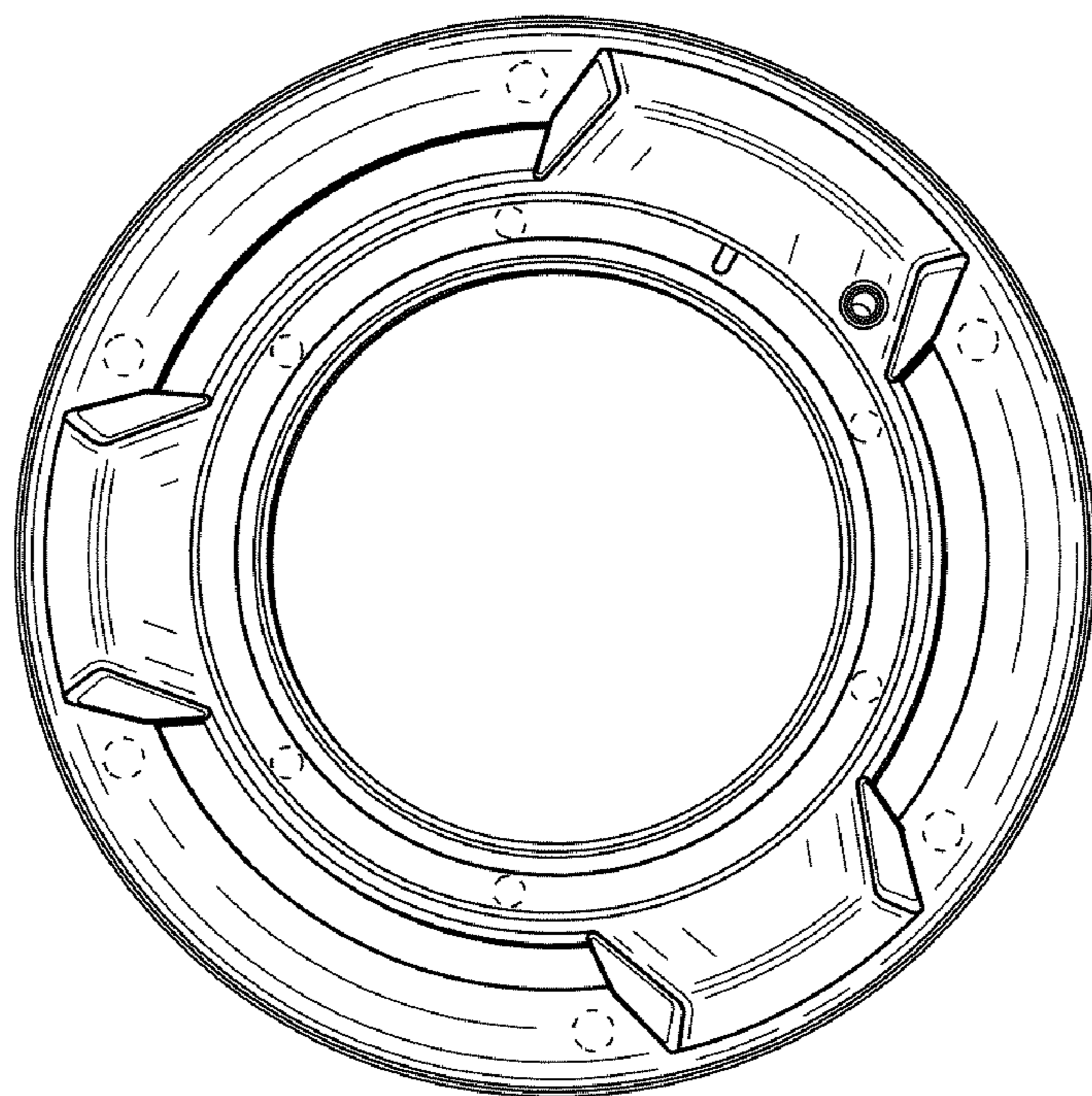


FIG. 7



UNITED STATES PATENT AND TRADEMARK OFFICE
CERTIFICATE OF CORRECTION

PATENT NO. : D650,050 S
APPLICATION NO. : 29/364469
DATED : December 6, 2011
INVENTOR(S) : Stefan Berghuijs

Page 1 of 1

It is certified that error appears in the above-identified patent and that said Letters Patent is hereby corrected as shown below:

On the Title Page, Item (73) Assignee: "Plymo Vent AB (SE)" should read --PlymoVent AB (SE)--.

Signed and Sealed this
Second Day of April, 2013



Teresa Stanek Rea
Acting Director of the United States Patent and Trademark Office