



US00D650048S

(12) **United States Design Patent**
Jones et al.

(10) **Patent No.:** **US D650,048 S**

(45) **Date of Patent:** **** Dec. 6, 2011**

(54) **UNIVERSAL TANK LEVER**

D582,013 S * 12/2008 Yuan D23/250
D627,443 S * 11/2010 Sedwick D23/252

(75) Inventors: **Chad H. Jones**, Frisco, TX (US); **Justin D. Pendleton**, The Colony, TX (US); **David Singer**, Austin, TX (US)

* cited by examiner

Primary Examiner — Robert Delehanty

(73) Assignee: **Danco, Inc.**, Irving, TX (US)

(74) *Attorney, Agent, or Firm* — Locke Lord, LLP

(**) Term: **14 Years**

(57) **CLAIM**

The ornamental design for a universal tank lever, as shown and described.

(21) Appl. No.: **29/368,470**

DESCRIPTION

(22) Filed: **Aug. 24, 2010**

(51) **LOC (9) Cl.** **23-01**

(52) **U.S. Cl.** **D23/252; D23/309**

(58) **Field of Classification Search** D23/250,
D23/252, 254, 238–243, 309; 4/676–677;
137/801

FIG. 1 is a top front perspective view;

FIG. 2 is a top plan view;

FIG. 3 is a front elevation view;

FIG. 4 is a bottom plan view;

FIG. 5 is a left end view;

FIG. 6 is a right end view; and,

FIG. 7 is a rear elevation view.

See application file for complete search history.

The broken line showing portions of the lever is included for the purpose of illustrating a portion of the lever that forms no part of the claimed design.

(56) **References Cited**

U.S. PATENT DOCUMENTS

D505,994 S * 6/2005 Blomstrom D23/252
D506,530 S * 6/2005 Kennard D23/252

1 Claim, 2 Drawing Sheets

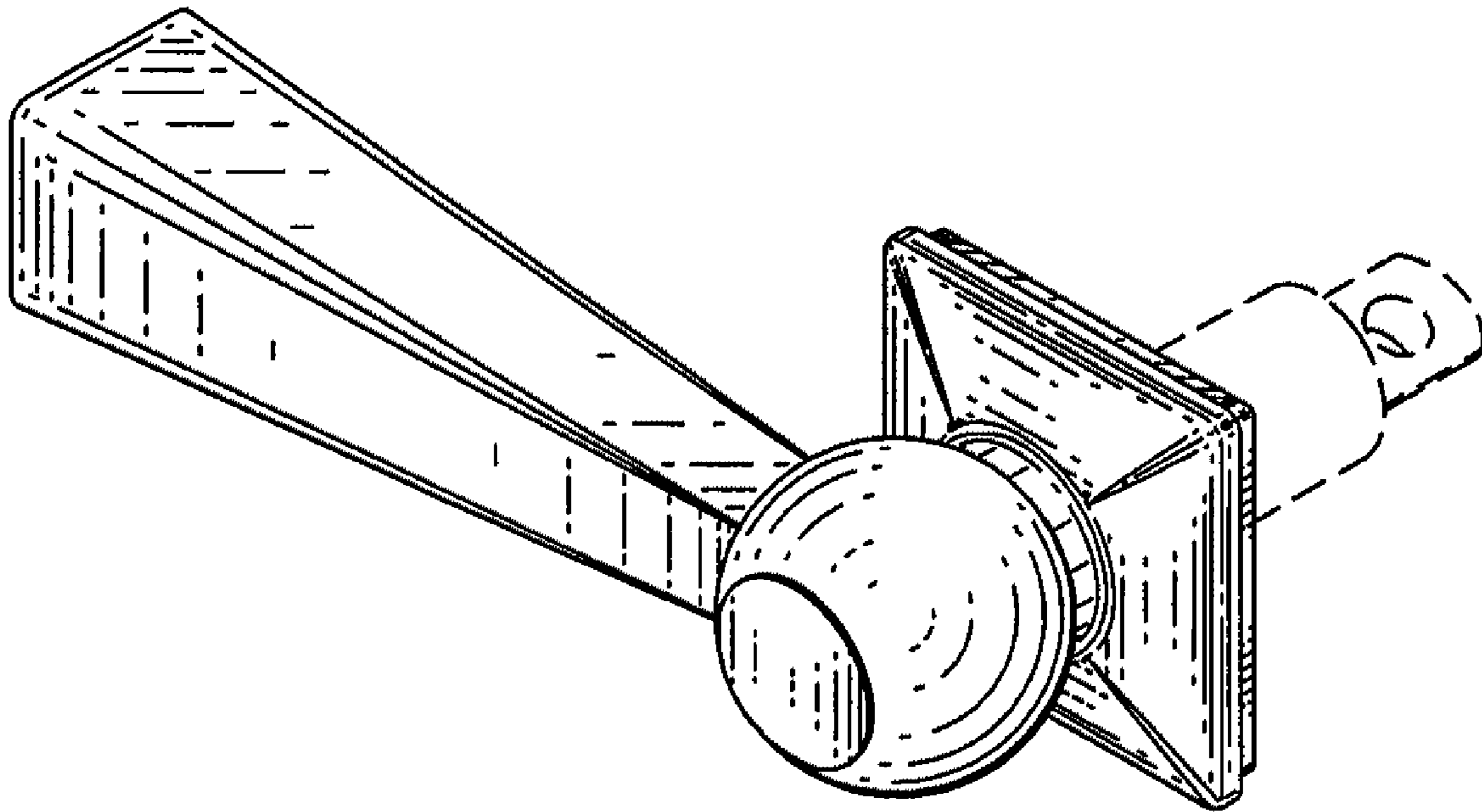


FIG. 1

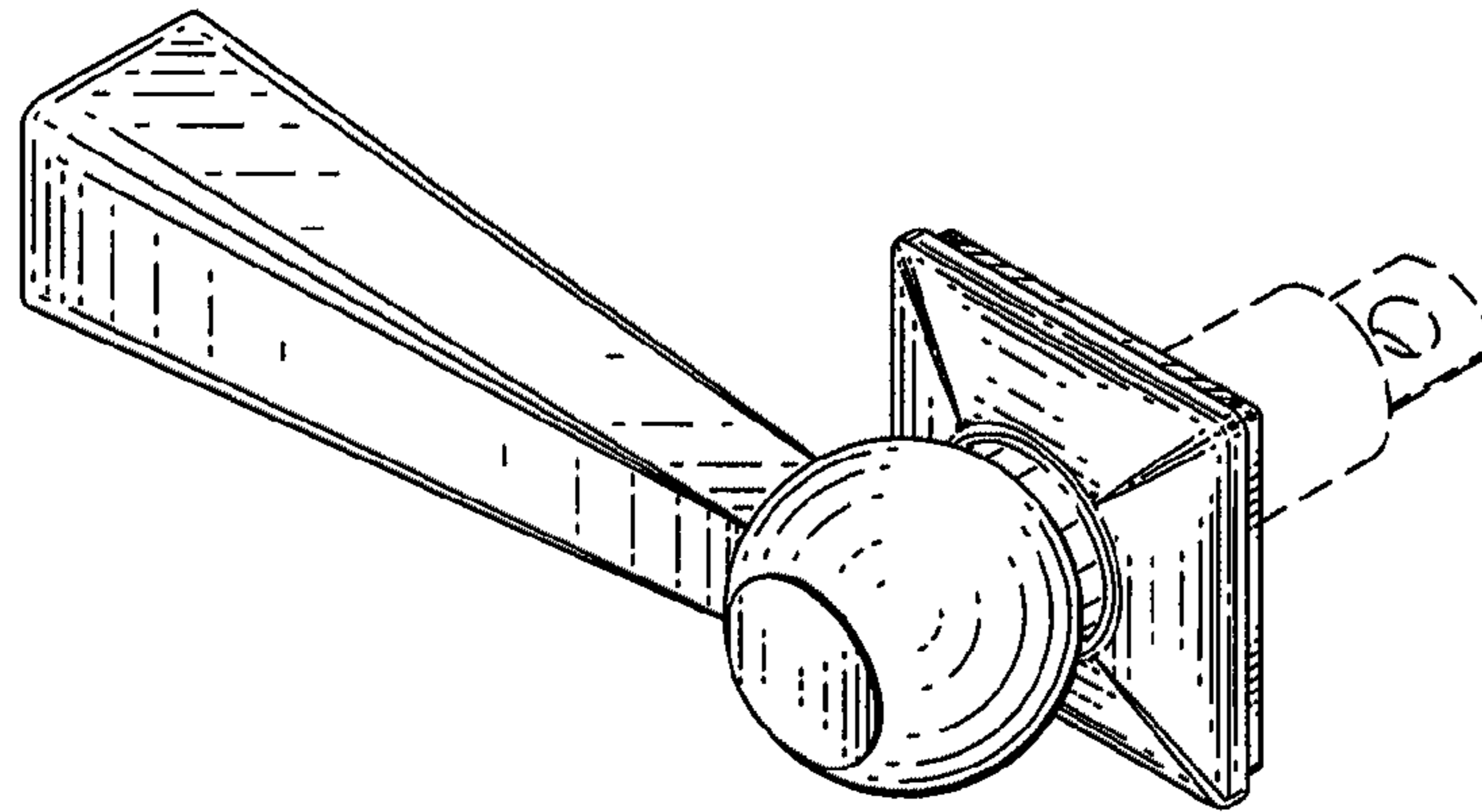


FIG. 2

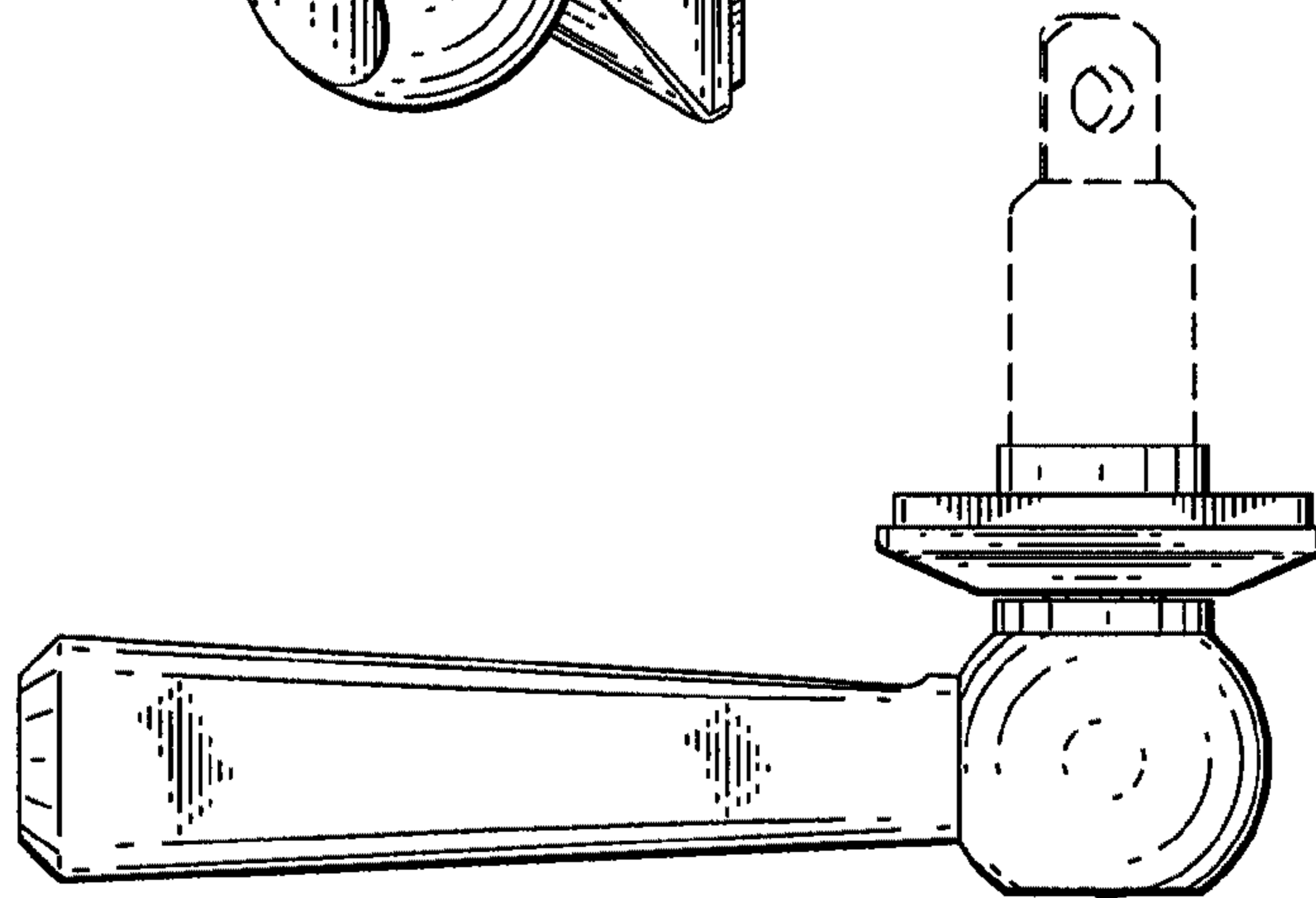


FIG. 3

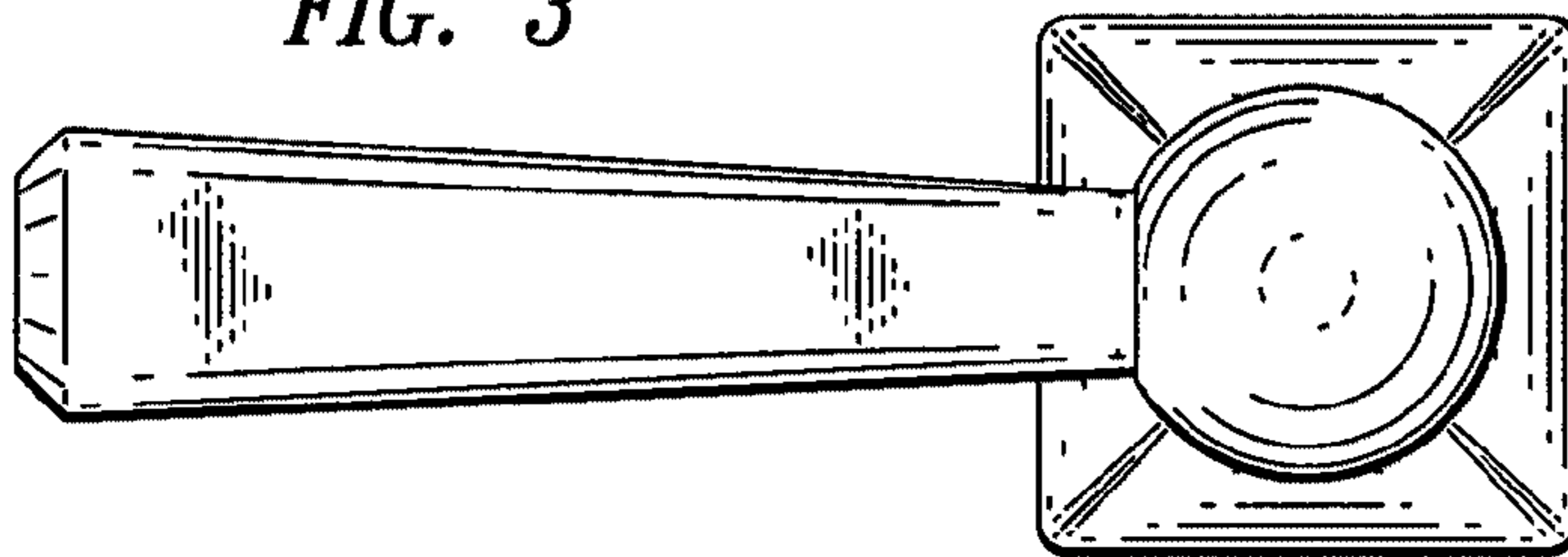


FIG. 4

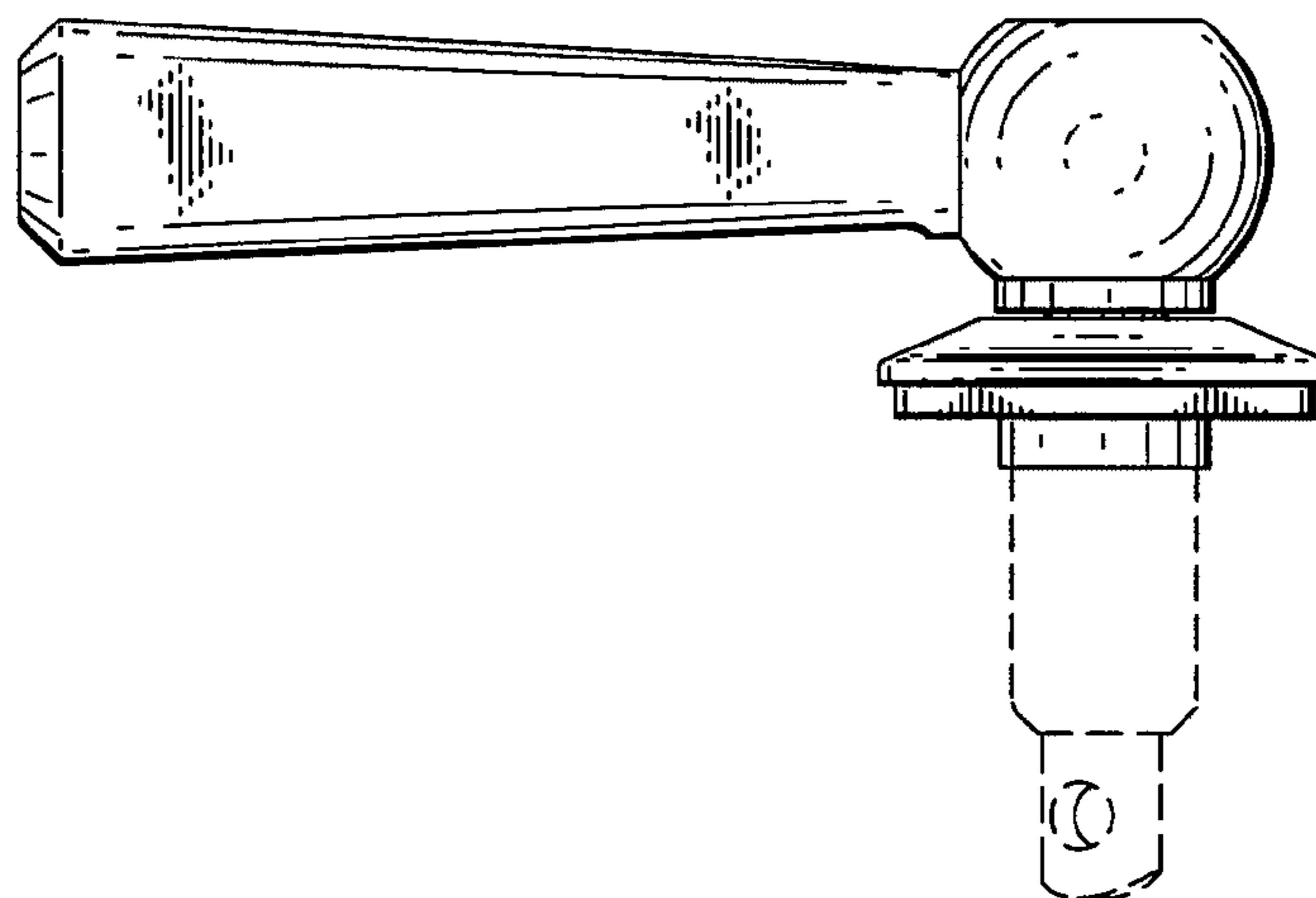


FIG. 5

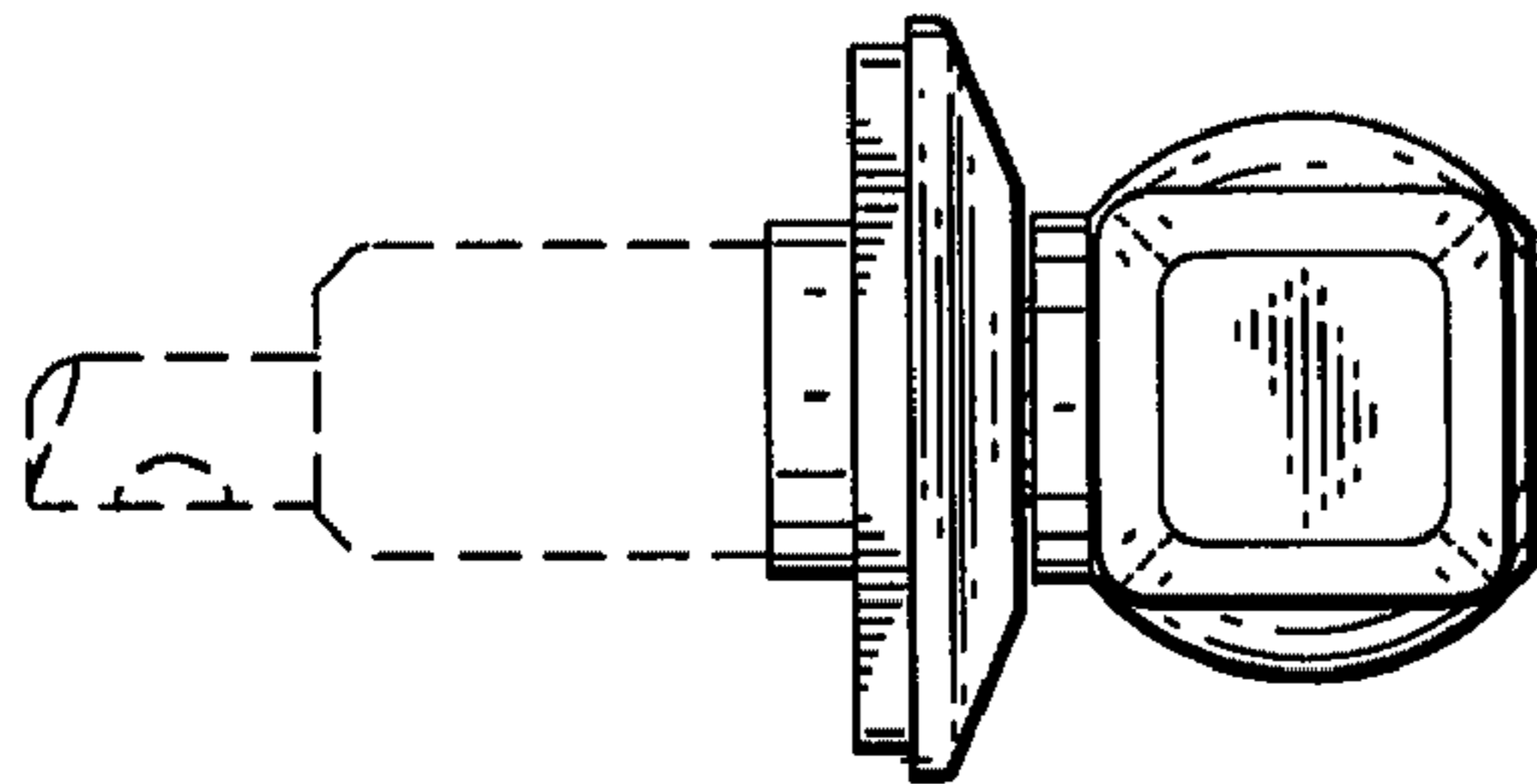


FIG. 6

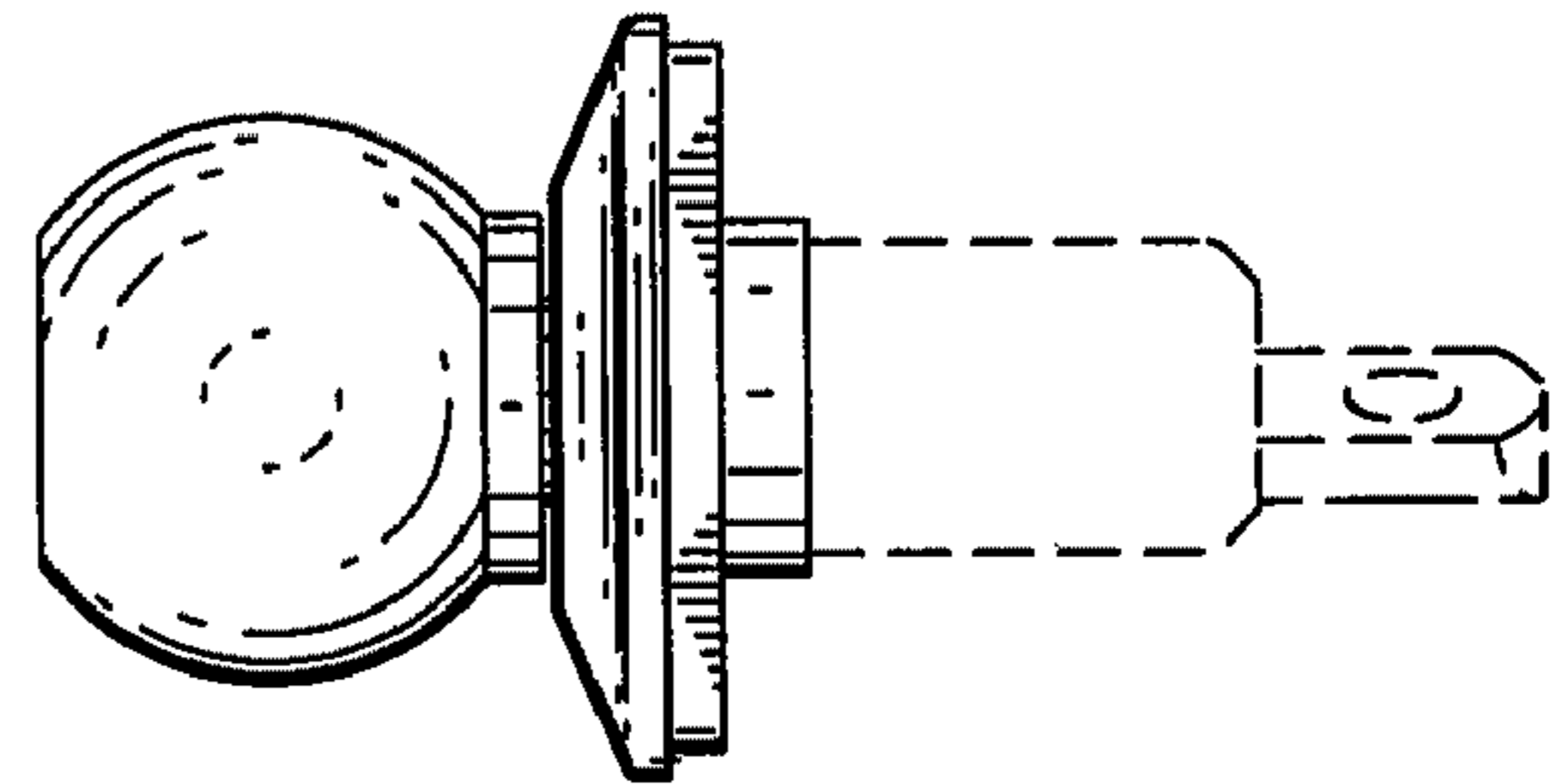


FIG. 7

