



US00D650047S

(12) **United States Design Patent**
Varini

(10) **Patent No.:** **US D650,047 S**

(45) **Date of Patent:** **** Dec. 6, 2011**

(54) **FLUID DISTRIBUTION NOZZLE**

5,862,617 A 1/1999 Alvern
7,017,630 B2 3/2006 Dikken
7,234,614 B1 6/2007 Knight et al.

(75) Inventor: **Otto Varini**, Suzzara (IT)

Primary Examiner — Robin V Webster

(73) Assignee: **Piusi S.p.A.**, Suzzara (IT)

(74) *Attorney, Agent, or Firm* — Modiano & Associati;
Albert Josif; Daniel O'Byrne

(**) Term: **14 Years**

(21) Appl. No.: **29/371,759**

(57) **CLAIM**

The ornamental design for the “fluid distribution nozzle”, as shown and described.

(22) Filed: **Sep. 6, 2011**

(51) **LOC (9) Cl.** **23-01**

(52) **U.S. Cl.** **D23/226**

(58) **Field of Classification Search** D23/213,
D23/223, 226; 222/566; 141/377–379, 392
See application file for complete search history.

DESCRIPTION

FIG. 1 is a perspective view of the nozzle from the rear;
FIG. 2 is a front elevation view thereof;
FIG. 3 is a rear elevation view thereof;
FIG. 4 is a right side elevation view thereof;
FIG. 5 is a left side elevation view thereof;
FIG. 6 is a plan view thereof, taken from above; and,
FIG. 7 is plan view thereof, taken from below.

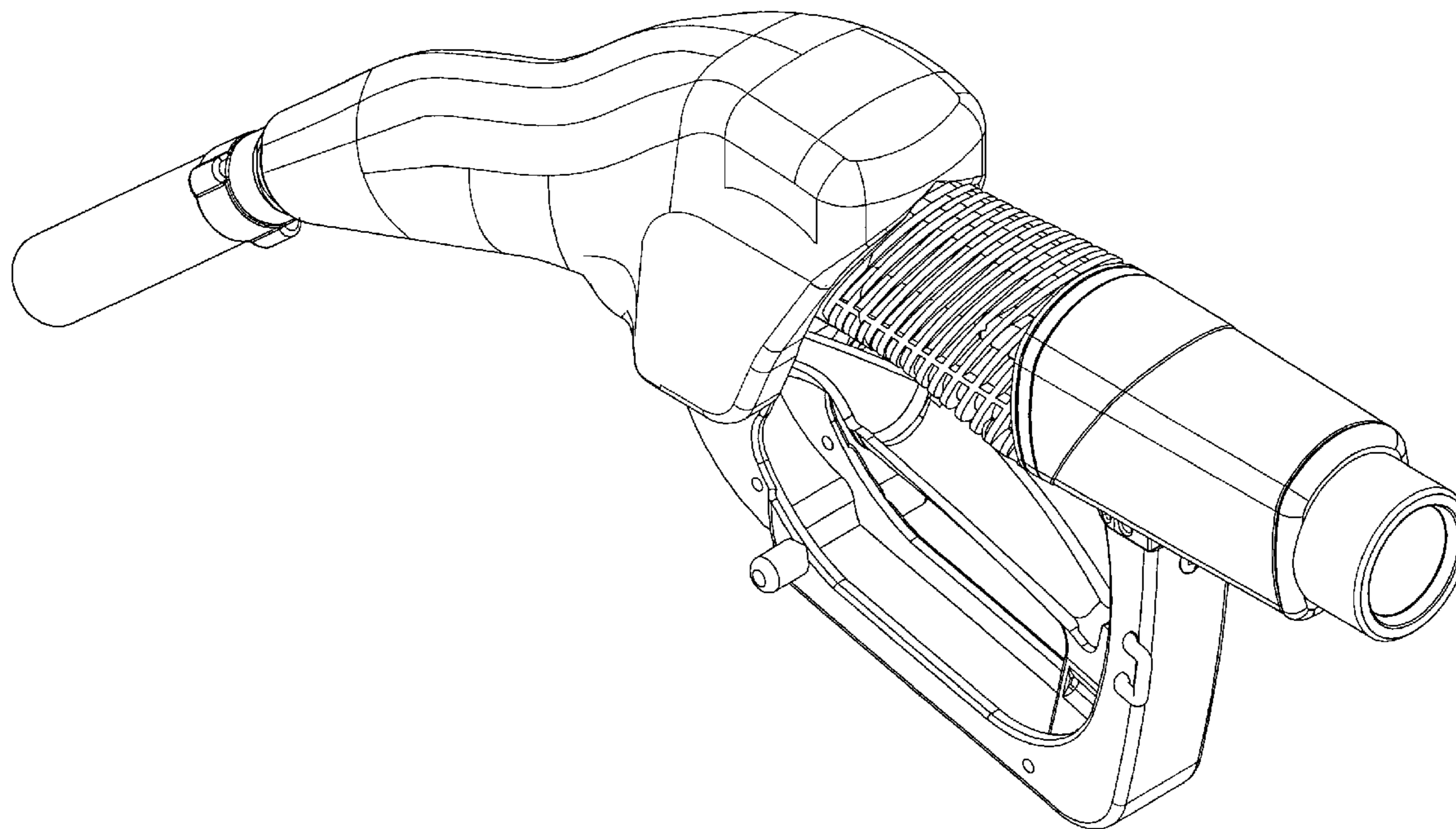
The model relates to a nozzle for dispensing fluids which has a central body with rounded lines that converge towards the dispensation mouth.

(56) **References Cited**

U.S. PATENT DOCUMENTS

D206,928 S	2/1967	Noyes et al.
D219,214 S	11/1970	Eklund
D223,915 S	6/1972	Brown et al.
D355,704 S	2/1995	Simpson et al.
D359,100 S	6/1995	Dotson et al.
5,860,462 A	1/1999	Alvern et al.

1 Claim, 5 Drawing Sheets



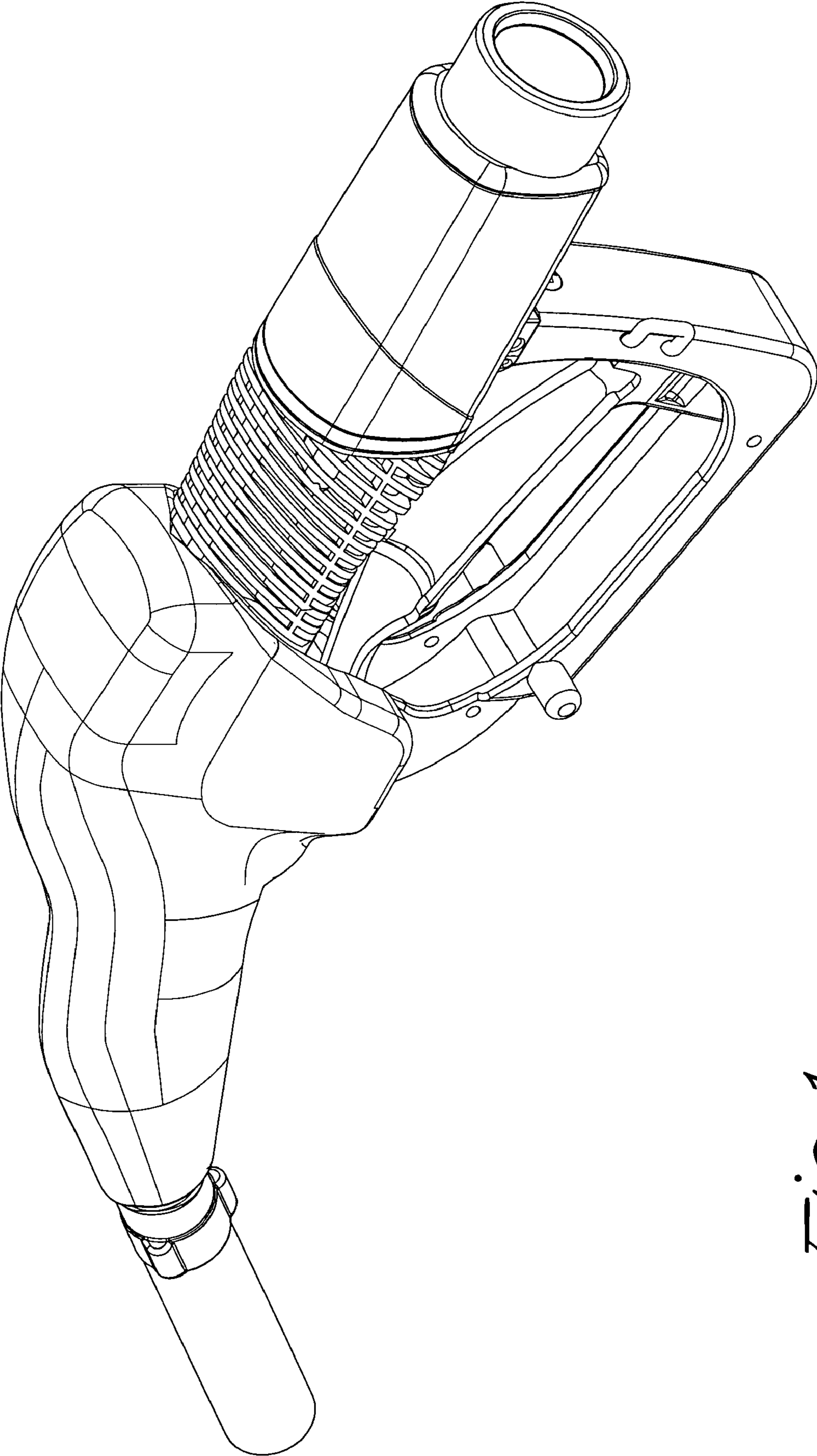


Fig. 1

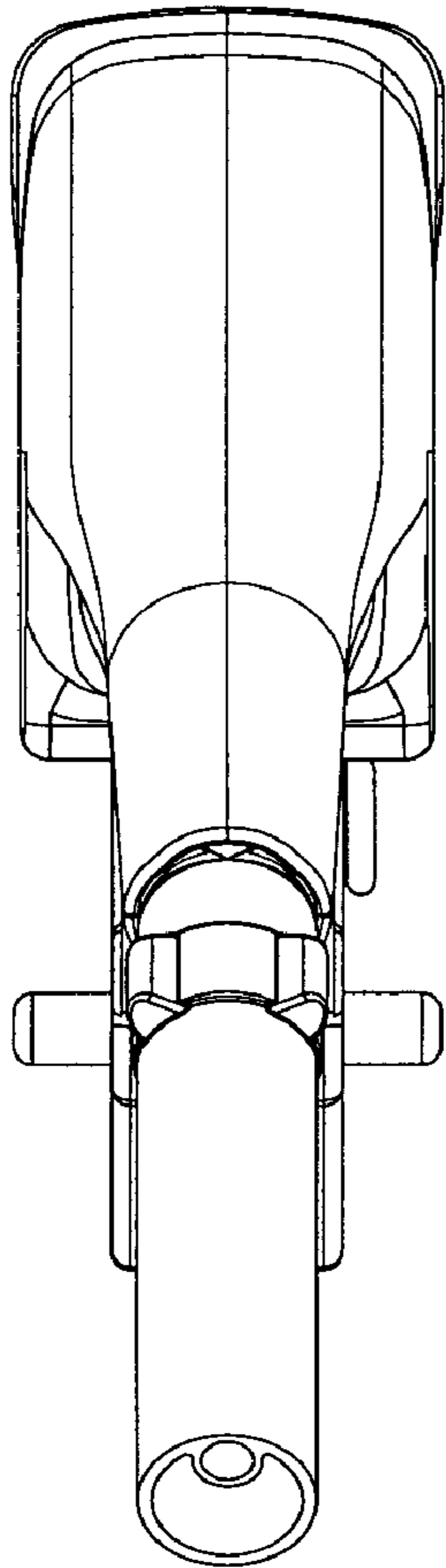


Fig. 2

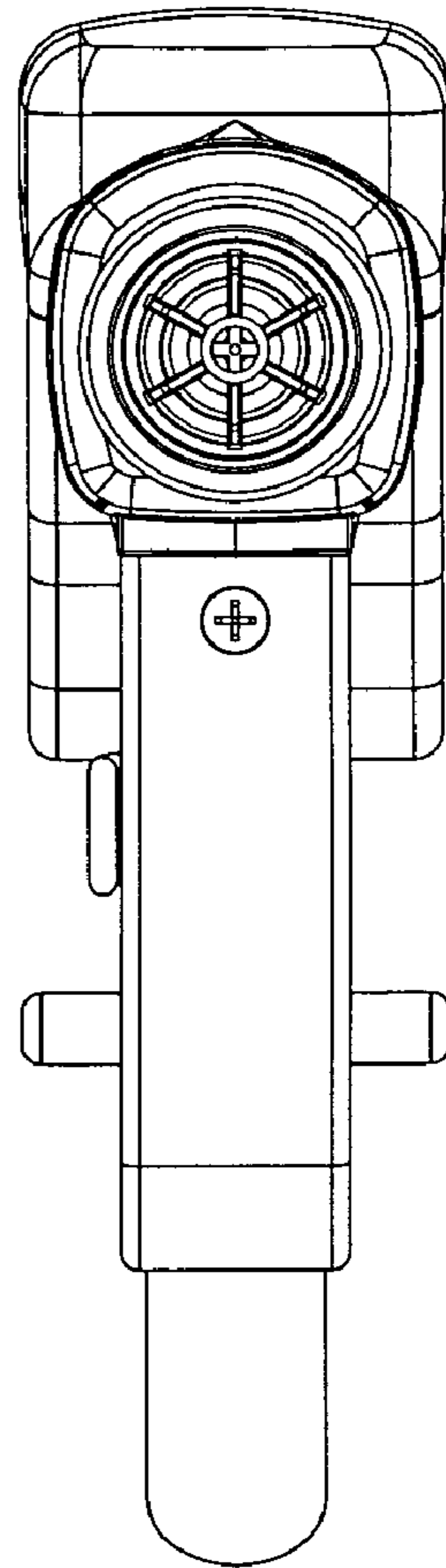


Fig. 3

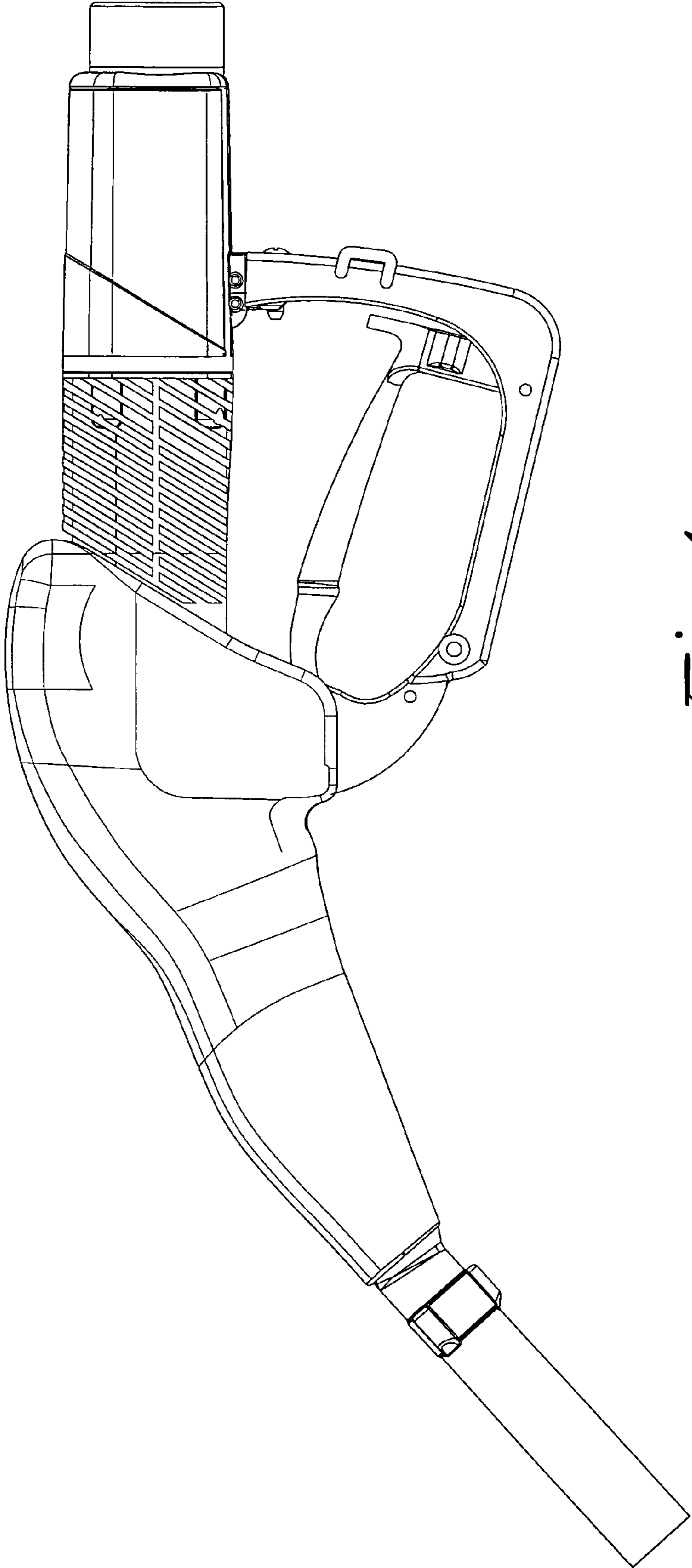


Fig. 4

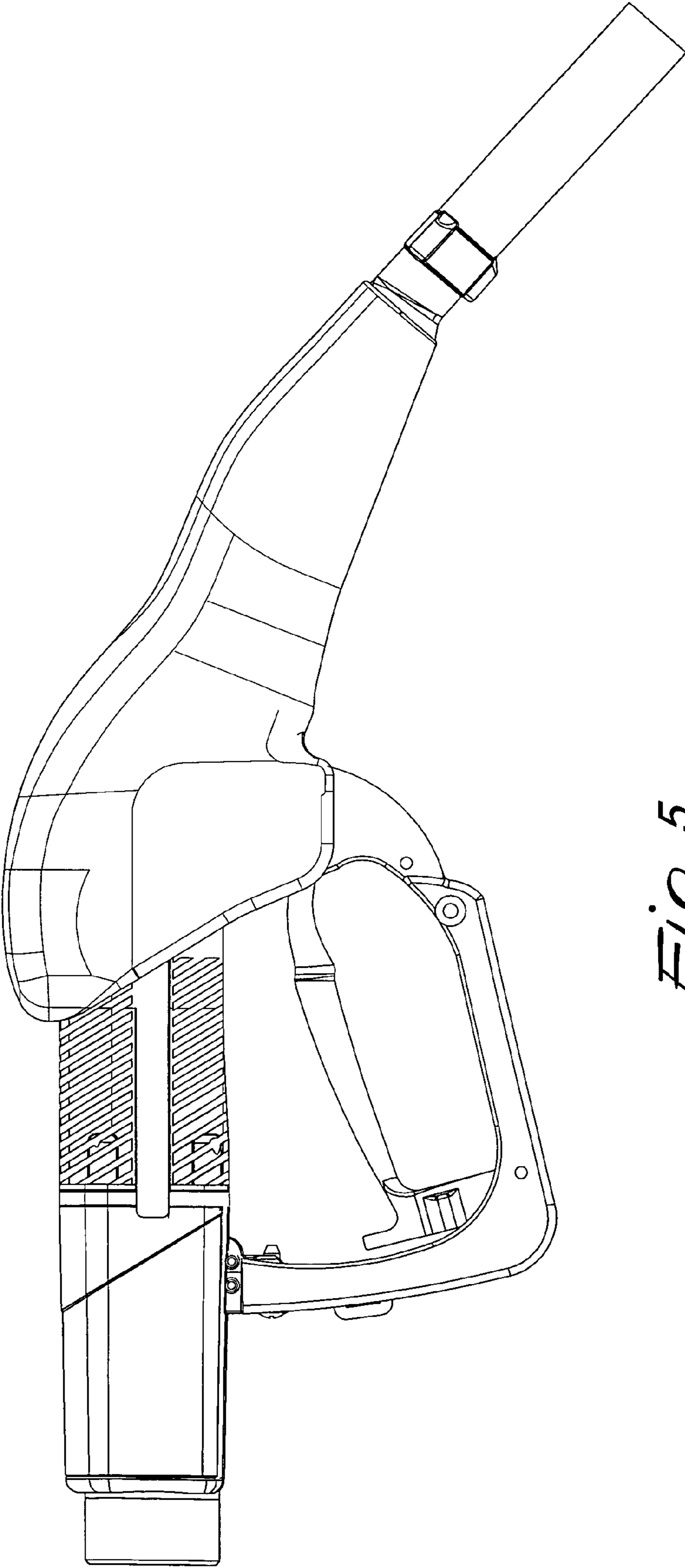


Fig. 5

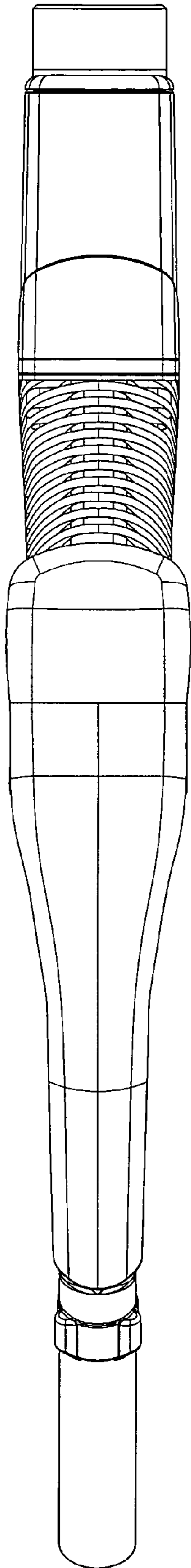


Fig. 6

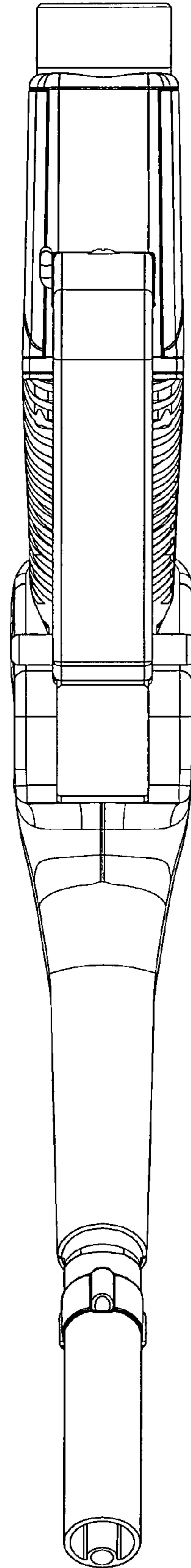


Fig. 7