



US00D650045S

(12) **United States Design Patent**
Nies et al.

(10) **Patent No.:** **US D650,045 S**
(45) **Date of Patent:** **** Dec. 6, 2011**

(54) **AQUA GUN**

(75) Inventors: **Juergen Nies**, Winchester, VA (US); **Ha Van Duong**, Winchester, VA (US); **Richard King Boyle**, Winchester, VA (US); **Vicky Ann Michael**, Winchester, VA (US); **James Daniel Carter**, Gerrardstown, WV (US); **Nate Durflinger**, Columbus, OH (US); **Don Meves**, Columbus, OH (US); **Dan Wisniewski**, Columbus, OH (US); **Eric Fickas**, Powell, OH (US)

(73) Assignee: **Melnor, Inc.**, Winchester, VA (US)

(**) Term: **14 Years**

(21) Appl. No.: **29/389,325**

(22) Filed: **Apr. 8, 2011**

(51) **LOC (9) Cl.** **23-01**

(52) **U.S. Cl.** **D23/223**

(58) **Field of Classification Search** D23/213,
D23/223, 226; 239/525-527, 462
See application file for complete search history.

(56) **References Cited**

U.S. PATENT DOCUMENTS

| | | | | |
|--------------|---------|----------|-------|---------|
| D370,713 S * | 6/1996 | Guo | | D23/223 |
| D451,981 S * | 12/2001 | Ericksen | | D23/226 |
| D468,802 S * | 1/2003 | Nien | | D23/226 |
| D484,947 S * | 1/2004 | Chen | | D23/226 |

| | | | | |
|--------------|---------|-----------|-------|---------|
| D534,241 S * | 12/2006 | Wang | | D23/226 |
| D548,392 S * | 8/2007 | Lo et al. | | D23/226 |
| D553,223 S * | 10/2007 | Yu | | D23/226 |
| D558,858 S * | 1/2008 | Chih | | D23/226 |
| D559,354 S * | 1/2008 | Chih | | D23/226 |
| D584,381 S * | 1/2009 | Hung | | D23/223 |
| D585,958 S * | 2/2009 | Cheng | | D23/223 |
| D604,390 S * | 11/2009 | Cheng | | D23/223 |
| D606,625 S * | 12/2009 | Zore | | D23/226 |

OTHER PUBLICATIONS

Website—Melnor.com/aquaguns.php; Melnor, Inc., 2009.

* cited by examiner

Primary Examiner — Robin V Webster

(74) *Attorney, Agent, or Firm* — Westerman, Hattori, Daniels & Adrian, LLP

(57) **CLAIM**

The ornamental design for an aqua gun, as shown and described.

DESCRIPTION

FIG. 1 is a right, front perspective view of an aqua gun;
FIG. 2 is a right side view thereof;
FIG. 3 is a left side view thereof;
FIG. 4 is a back side view thereof;
FIG. 5 is a front side view thereof;
FIG. 6 is a top plan view thereof; and,
FIG. 7 is a bottom plan view thereof.

The broken lines illustrate environmental structure and form no part of the claimed design.

1 Claim, 7 Drawing Sheets

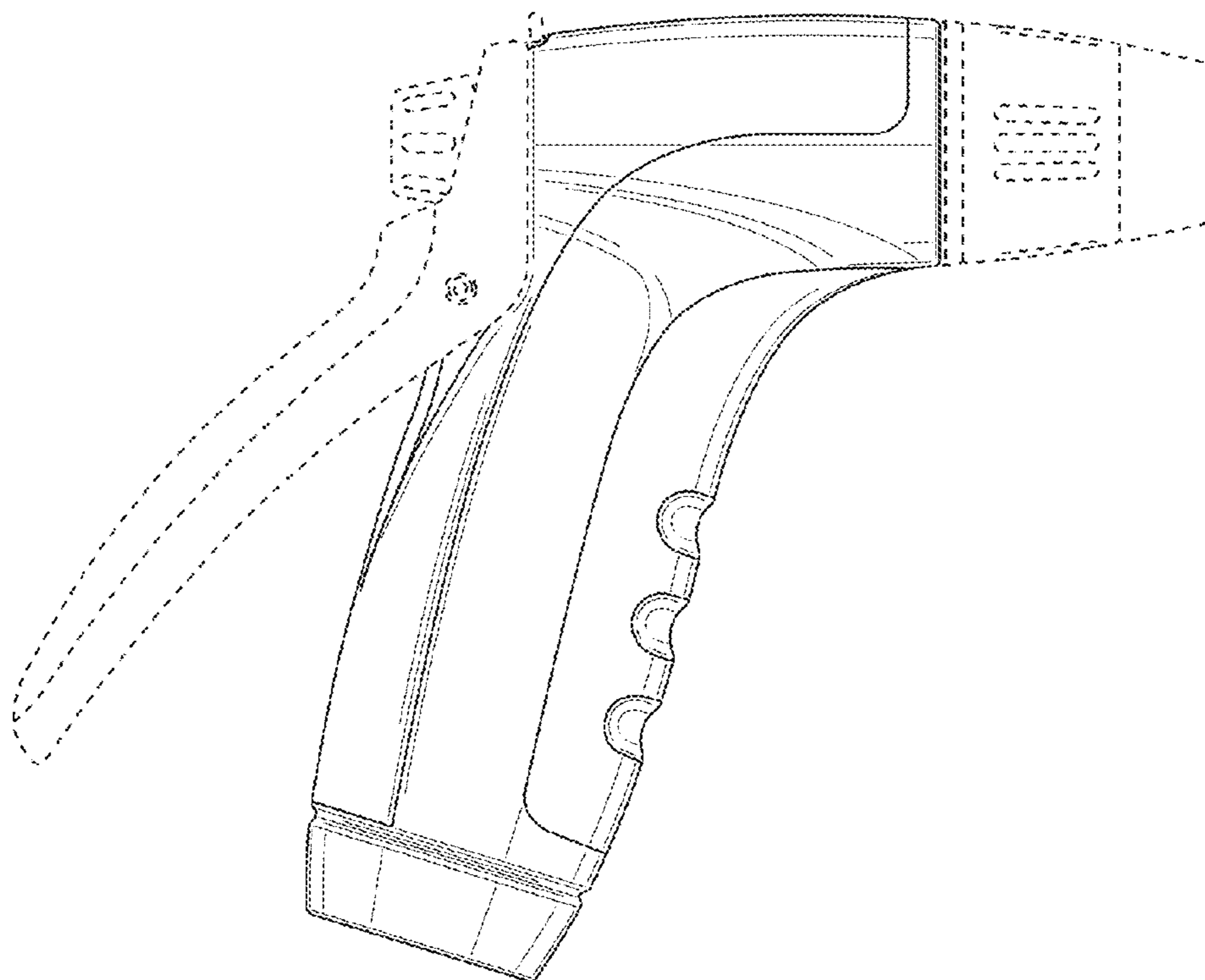


FIG. 1

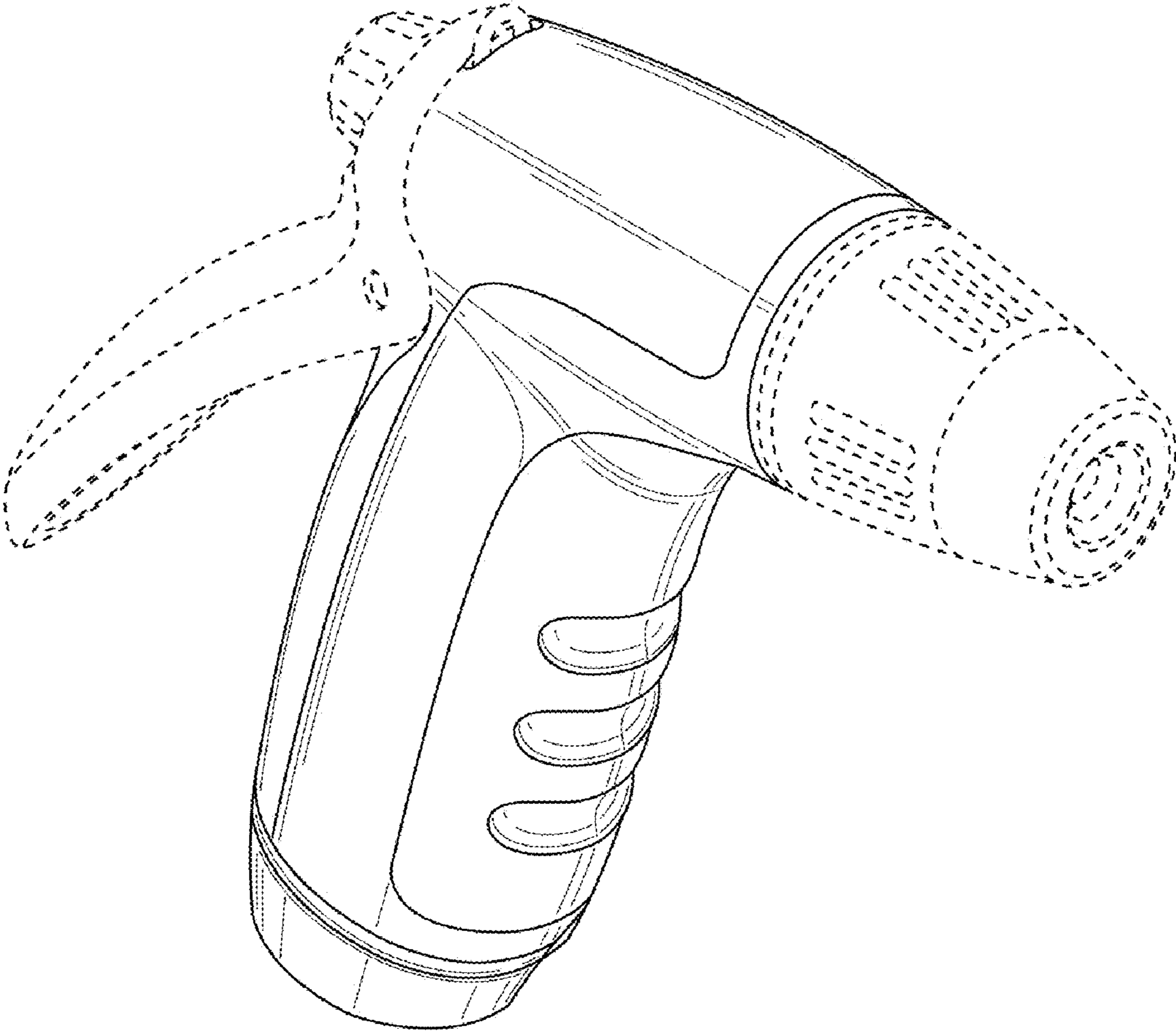


FIG.2

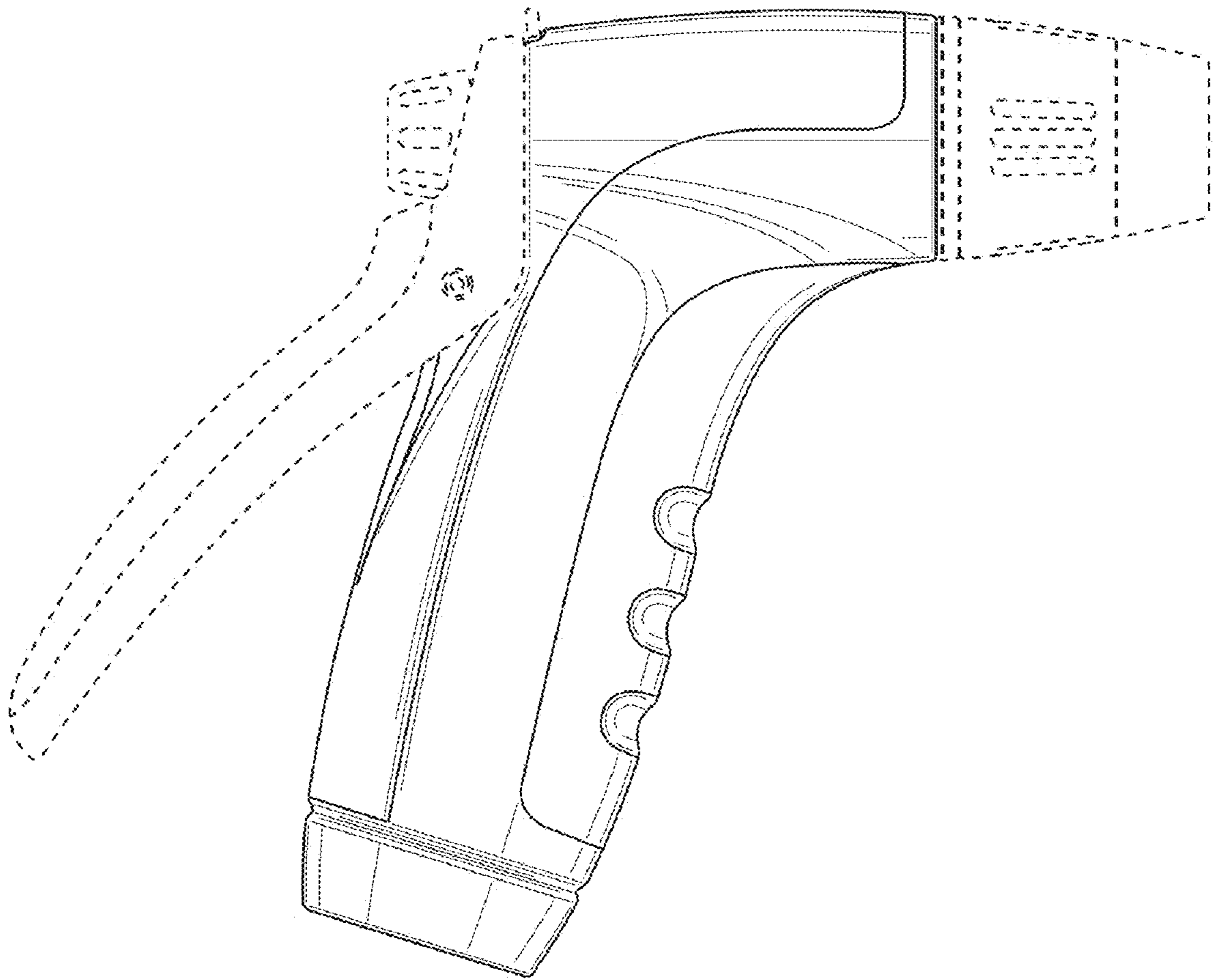


FIG.3

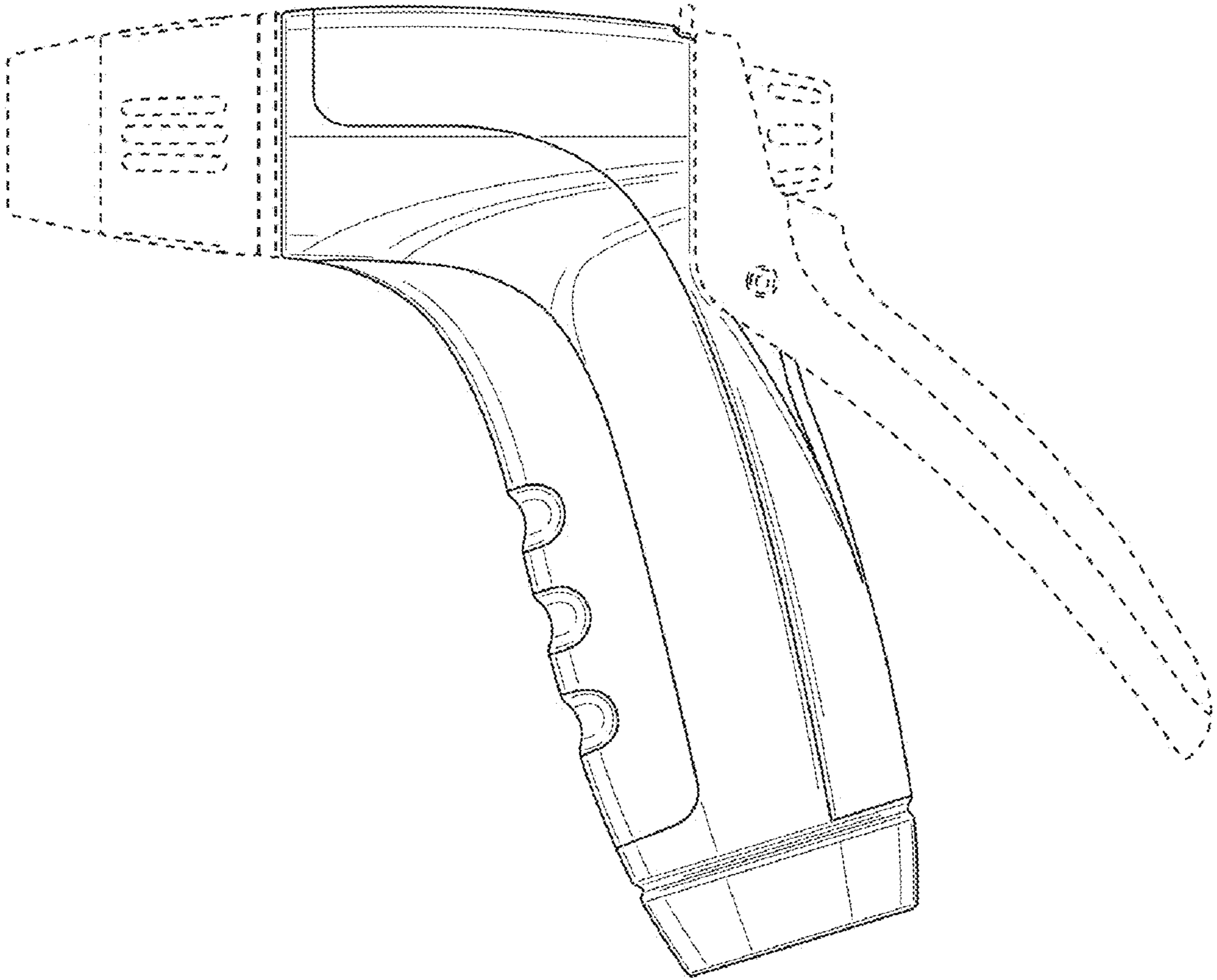


FIG. 4

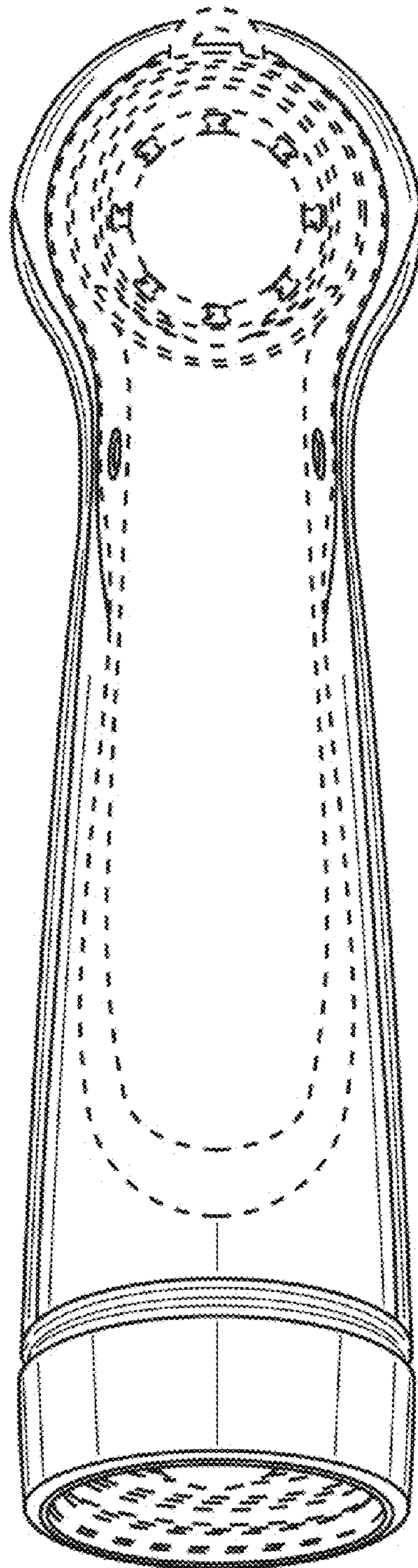


FIG. 5

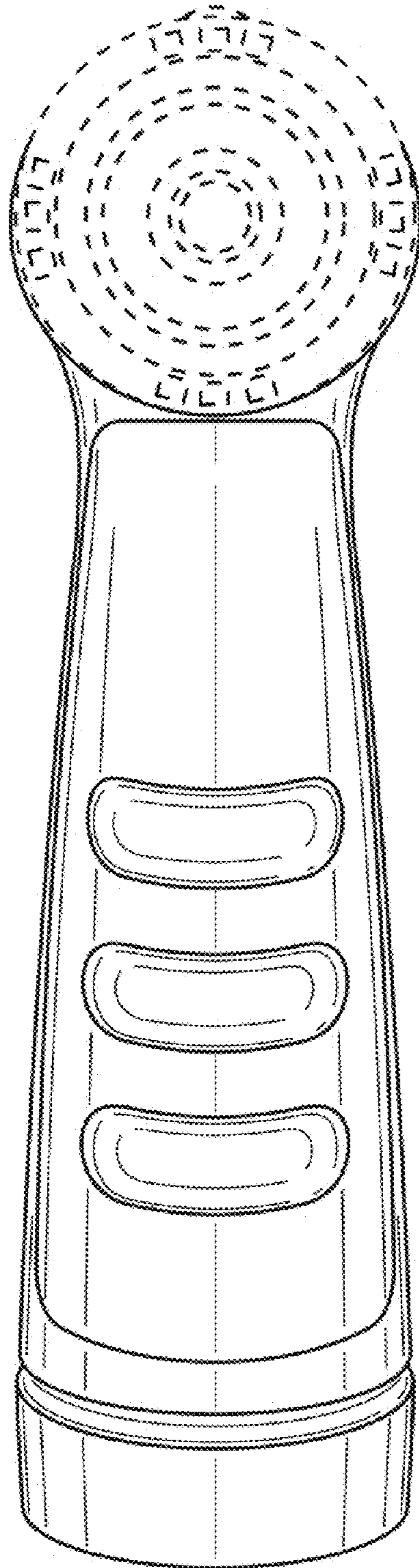


FIG.6

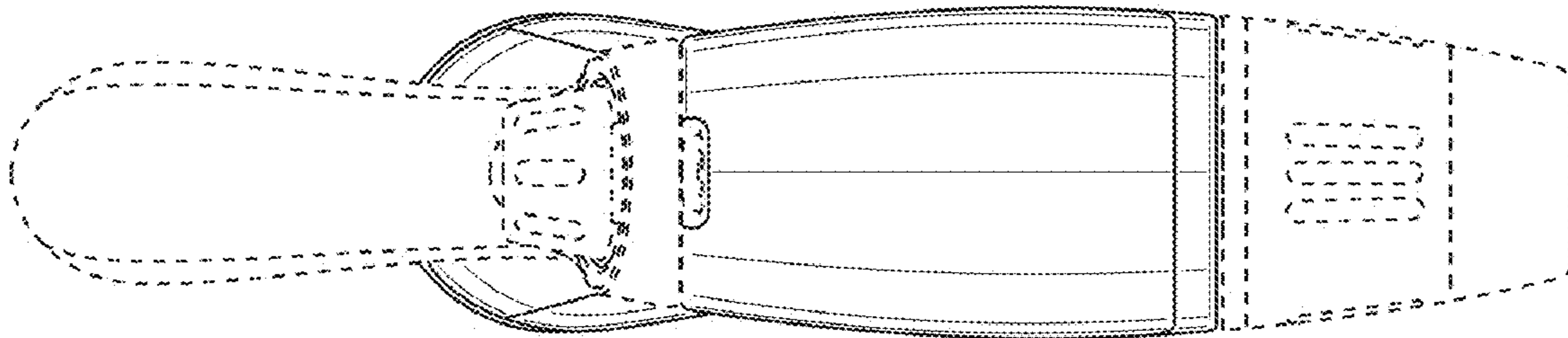


FIG.7

