



US00D650043S

(12) **United States Design Patent**
Nies et al.

(10) **Patent No.:** **US D650,043 S**
(45) **Date of Patent:** **** Dec. 6, 2011**

(54) **AQUA GUN**

(75) Inventors: **Juergen Nies**, Winchester, VA (US); **Ha Van Duong**, Winchester, VA (US); **Richard King Boyle**, Winchester, VA (US); **Vicky Ann Michael**, Winchester, VA (US); **James Daniel Carter**, Gerrardstown, WV (US); **Nate Durflinger**, Columbus, OH (US); **Don Meves**, Columbus, OH (US); **Dan Wisniewski**, Columbus, OH (US); **Eric Fickas**, Powell, OH (US)

(73) Assignee: **Melnor, Inc.**, Winchester, VA (US)

(**) Term: **14 Years**

(21) Appl. No.: **29/389,317**

(22) Filed: **Apr. 8, 2011**

(51) **LOC (9) Cl.** **23-01**

(52) **U.S. Cl.** **D23/223**

(58) **Field of Classification Search** D23/213,
D23/223, 226; 239/525-527, 462
See application file for complete search history.

(56) **References Cited**

U.S. PATENT DOCUMENTS

D370,713 S *	6/1996	Guo	D23/223
D451,981 S *	12/2001	Ericksen	D23/226
D468,802 S *	1/2003	Nien	D23/226
D484,947 S *	1/2004	Chen	D23/226

D534,241 S *	12/2006	Wang	D23/226
D548,392 S *	8/2007	Lo et al.	D23/226
D553,223 S *	10/2007	Yu	D23/226
D558,858 S *	1/2008	Chih	D23/226
D559,354 S *	1/2008	Chih	D23/226
D584,381 S *	1/2009	Hung	D23/223
D585,958 S *	2/2009	Cheng	D23/223
D604,390 S *	11/2009	Cheng	D23/223
D606,625 S *	12/2009	Zore	D23/226

OTHER PUBLICATIONS

Website—Melnor.com/aquaguns.php; Melnor, Inc., 2009.

* cited by examiner

Primary Examiner — Robin V Webster

(74) *Attorney, Agent, or Firm* — Westerman, Hattori, Daniels & Adrian, LLP

(57) **CLAIM**

The ornamental design for an aqua gun, as shown and described.

DESCRIPTION

FIG. 1 is a front, right perspective view of an aqua gun; FIG. 2 is a right side view thereof; FIG. 3 is a left side view thereof; FIG. 4 is a back side view thereof; FIG. 5 is a front side view thereof; FIG. 6 is a top plan view thereof; and, FIG. 7 is a bottom plan view thereof.

The broken lines illustrate environmental structure and form no part of the claimed design.

1 Claim, 7 Drawing Sheets

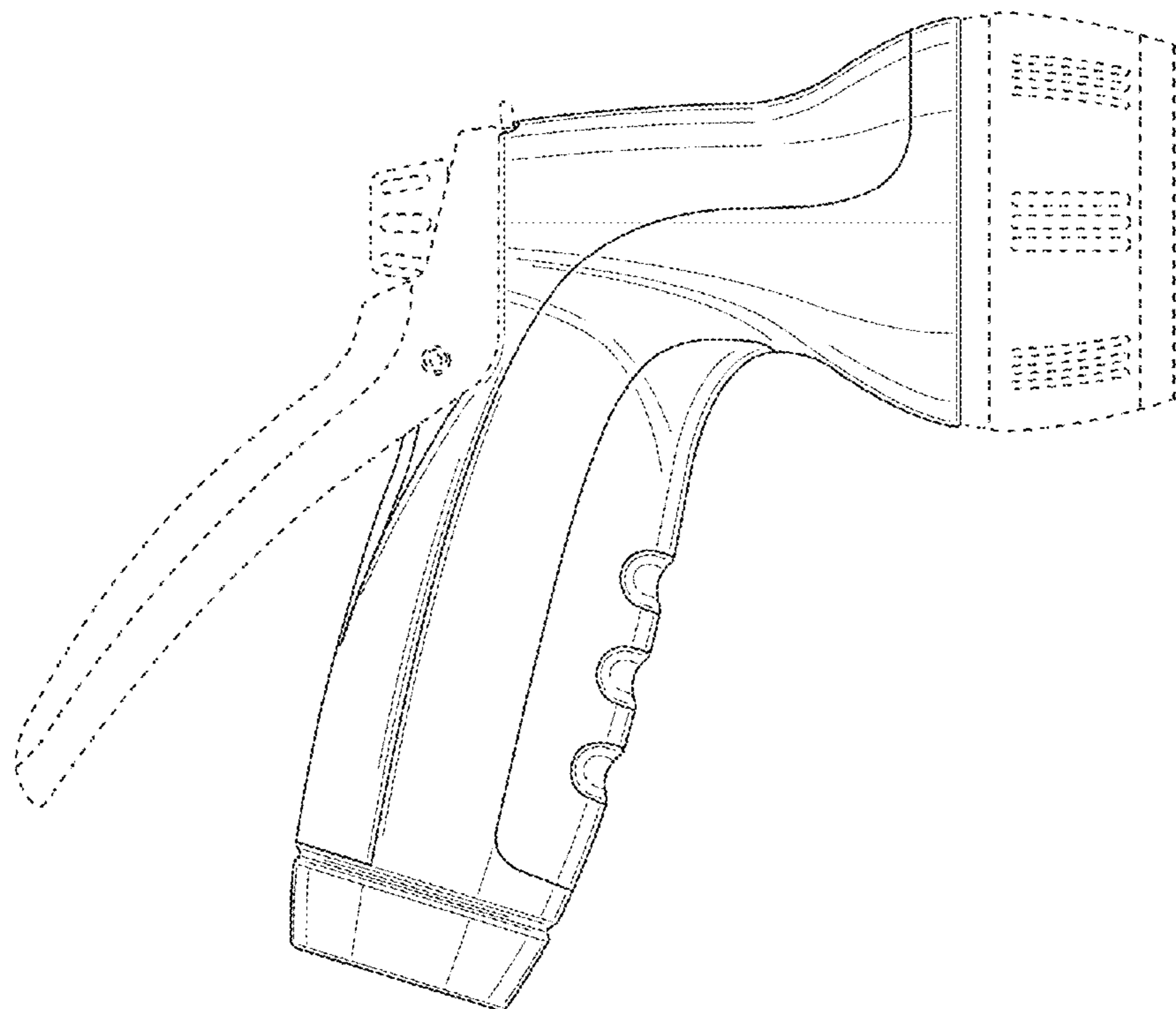


FIG. 1

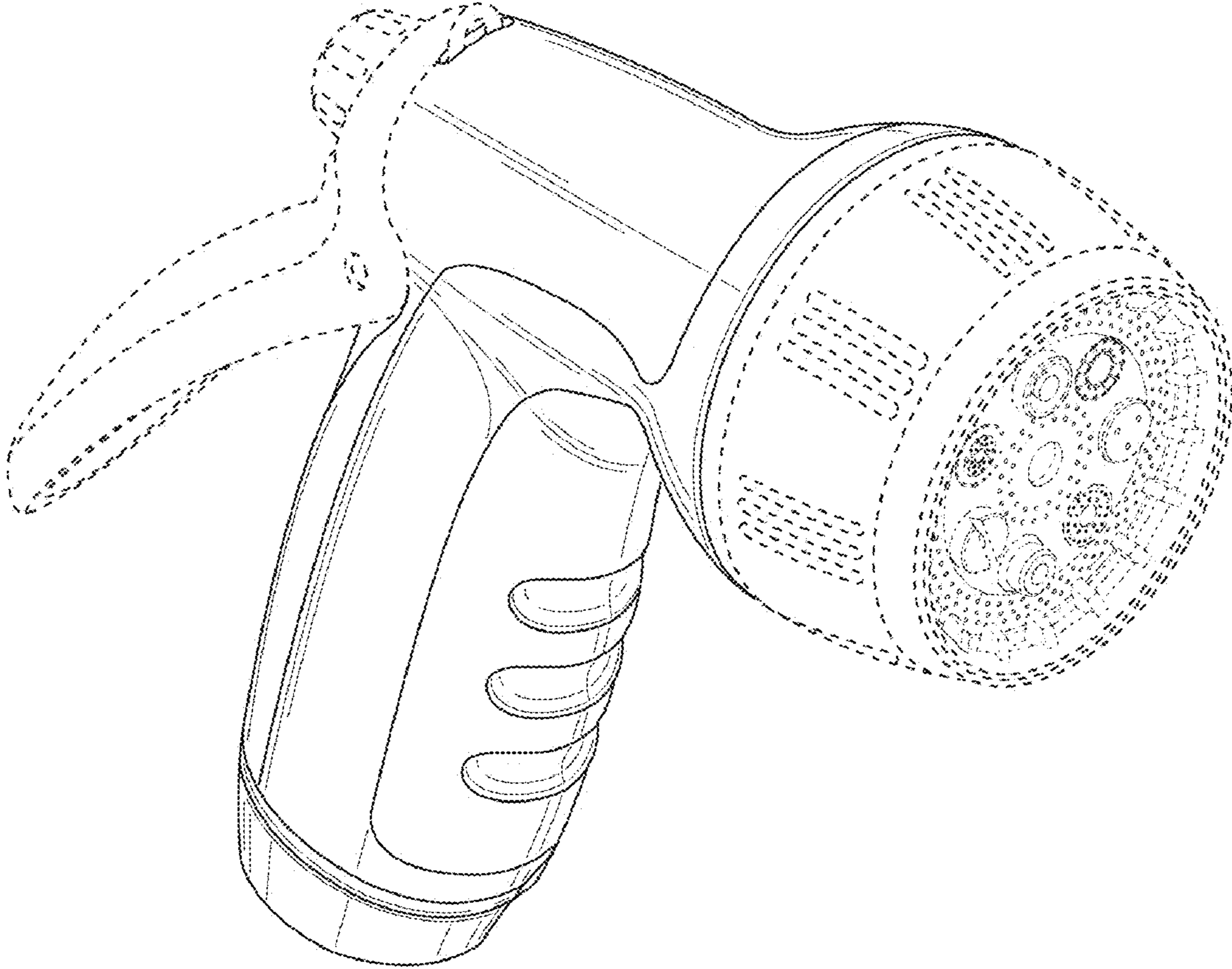


FIG.2

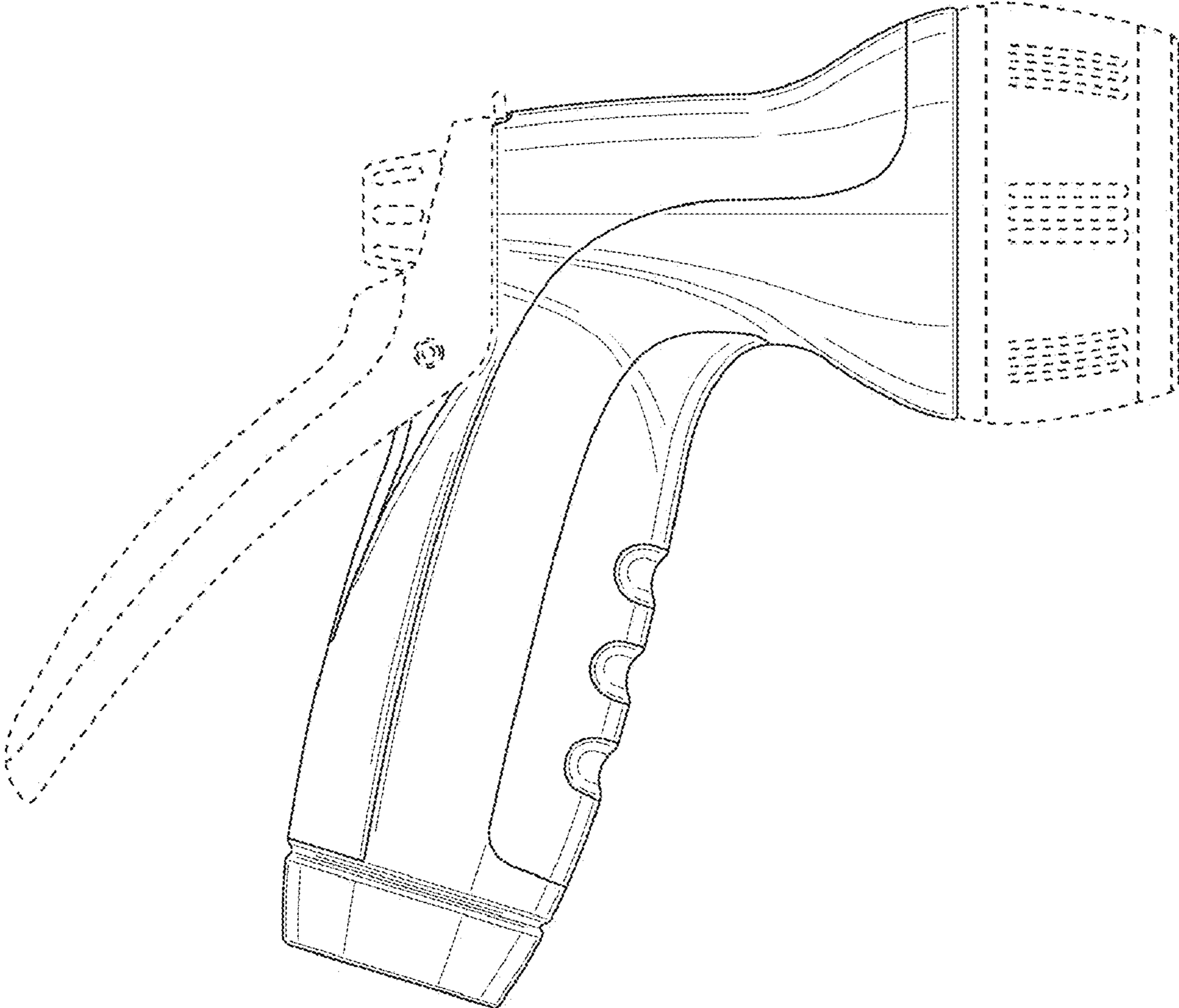


FIG.3

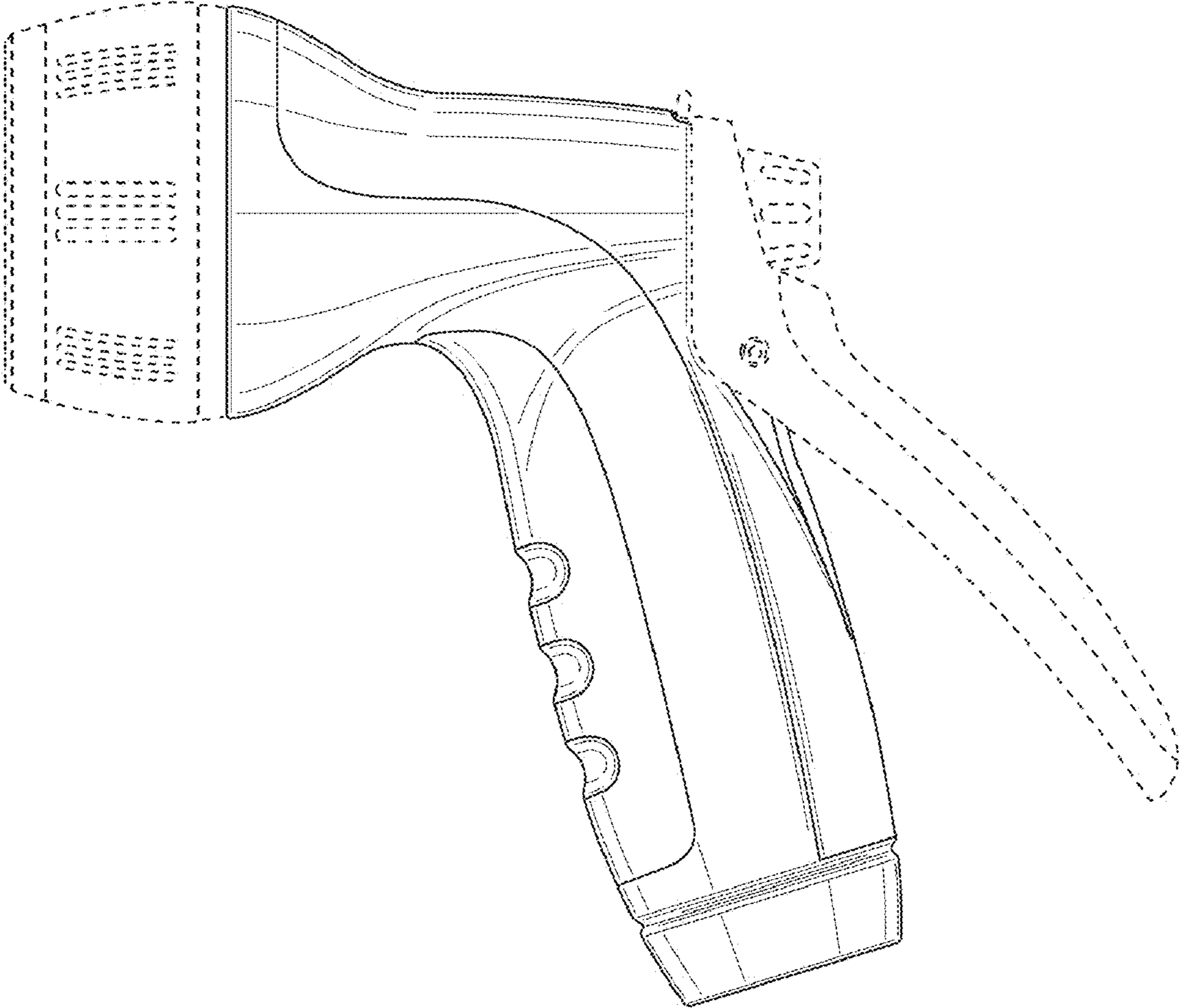


FIG. 4

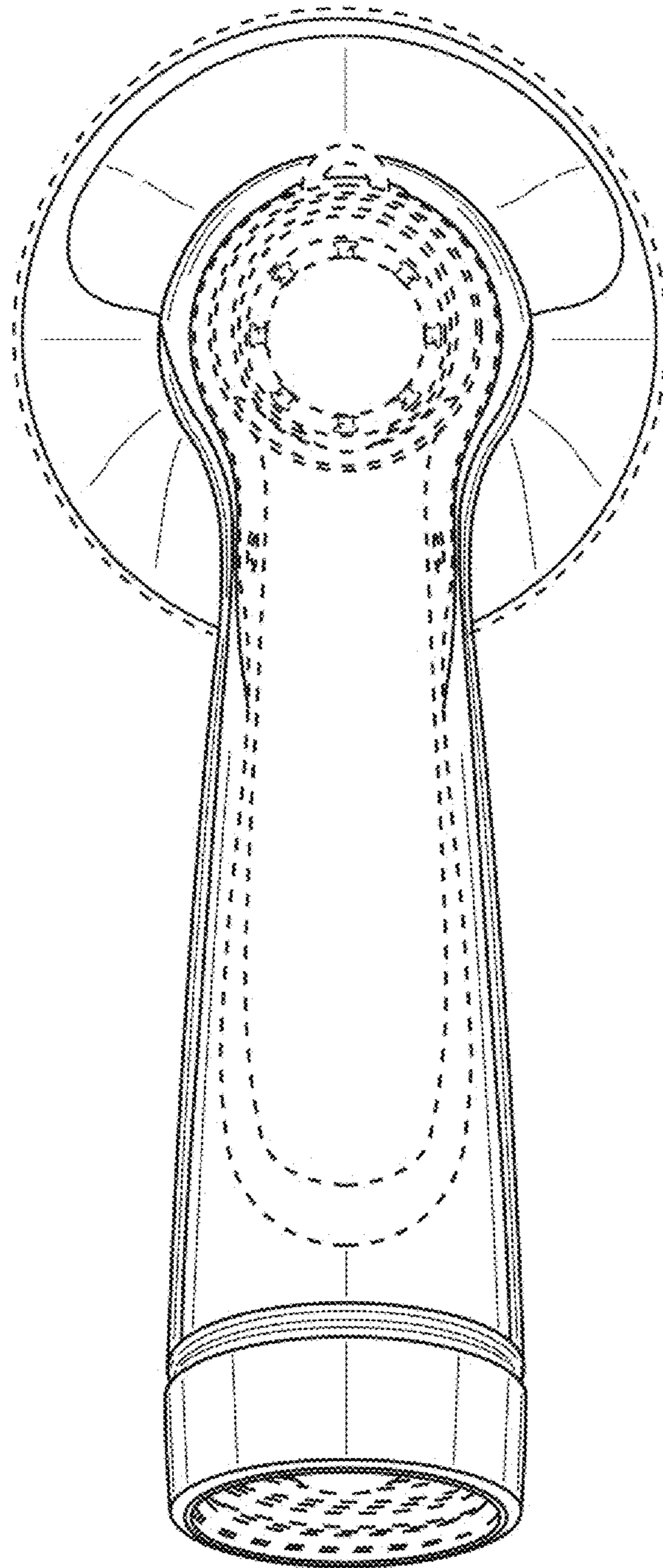


FIG. 5

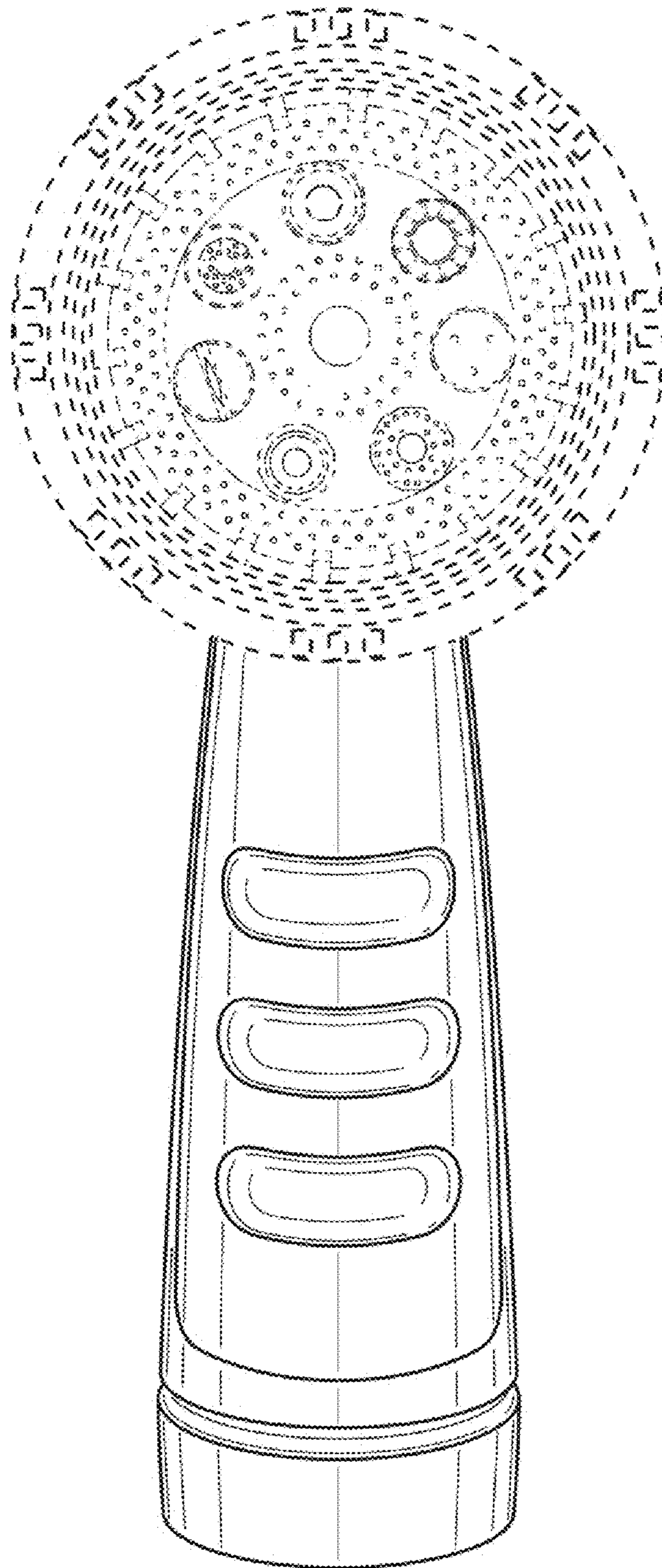


FIG.6

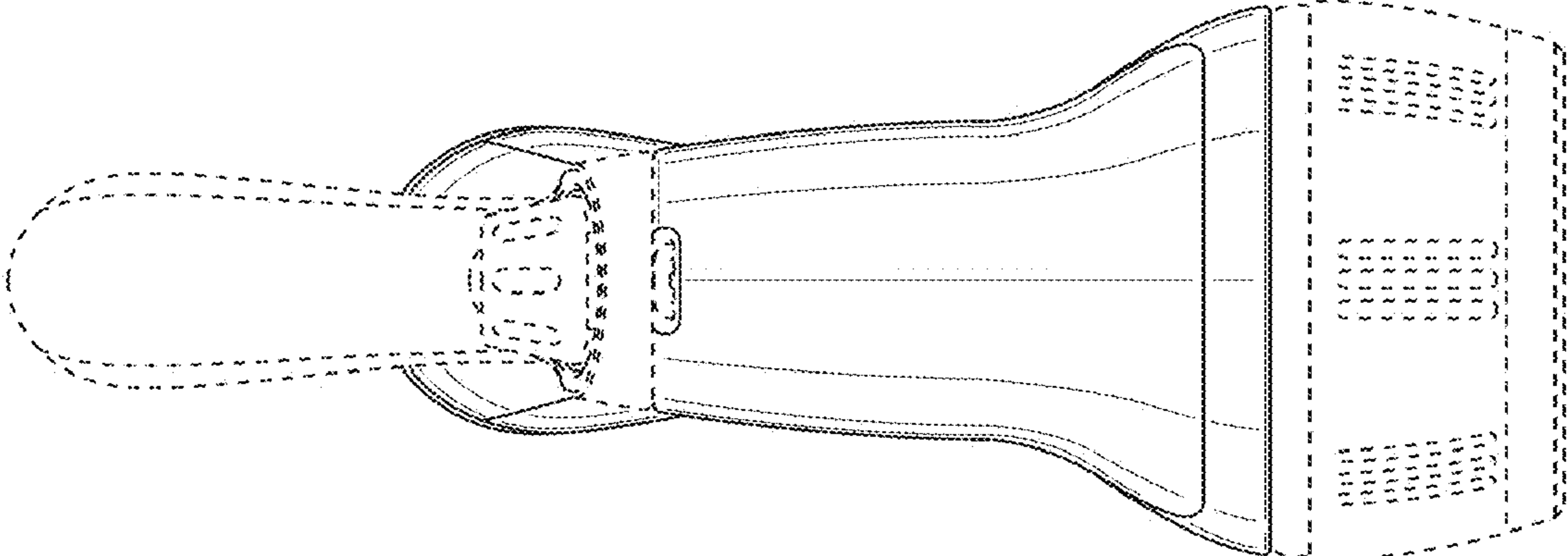


FIG. 7

