



US00D650039S

(12) **United States Design Patent**  
**Farrell**

(10) **Patent No.:** **US D650,039 S**

(45) **Date of Patent:** **\*\* Dec. 6, 2011**

(54) **CLAW WEIGHT FOR FISHING**

(76) Inventor: **Michael S Farrell**, Spokane, WA (US)

(\*\*) Term: **14 Years**

(21) Appl. No.: **29/391,495**

(22) Filed: **May 10, 2011**

(51) **LOC (9) Cl.** ..... **22-05**

(52) **U.S. Cl.** ..... **D22/145**

(58) **Field of Classification Search** ..... D22/145,  
D22/134, 199, 126-133; 43/43.13, 44.89,  
43/42.72, 44.96, 44.88, 44.97, 44.87, 44.9,  
43/44.95, 43.12; 114/294, 297

See application file for complete search history.

(56) **References Cited**

**U.S. PATENT DOCUMENTS**

1,776,967	A *	9/1930	Eckart	.....	43/44.96
2,841,916	A *	7/1958	Ueda	.....	43/44.96
3,735,523	A *	5/1973	Merrill	.....	43/44.96
4,888,911	A *	12/1989	Pritchard	.....	43/44.96
D396,263	S *	7/1998	Miller	.....	D22/146

\* cited by examiner

*Primary Examiner* — Catheri Oliver

(74) *Attorney, Agent, or Firm* — Farrell Patent Law PC;  
Mark Farrell

(57) **CLAIM**

The ornamental design for a claw weight for fishing, as shown and described.

**DESCRIPTION**

FIG. 1 is an isometric front and top view of a claw weight for fishing.

FIG. 2 is a front view of a claw weight for fishing.

FIG. 3 is a top view of a claw weight for fishing.

FIG. 4 is a bottom view of a claw weight for fishing.

FIG. 5 is an isometric front and top view of a claw weight for fishing.

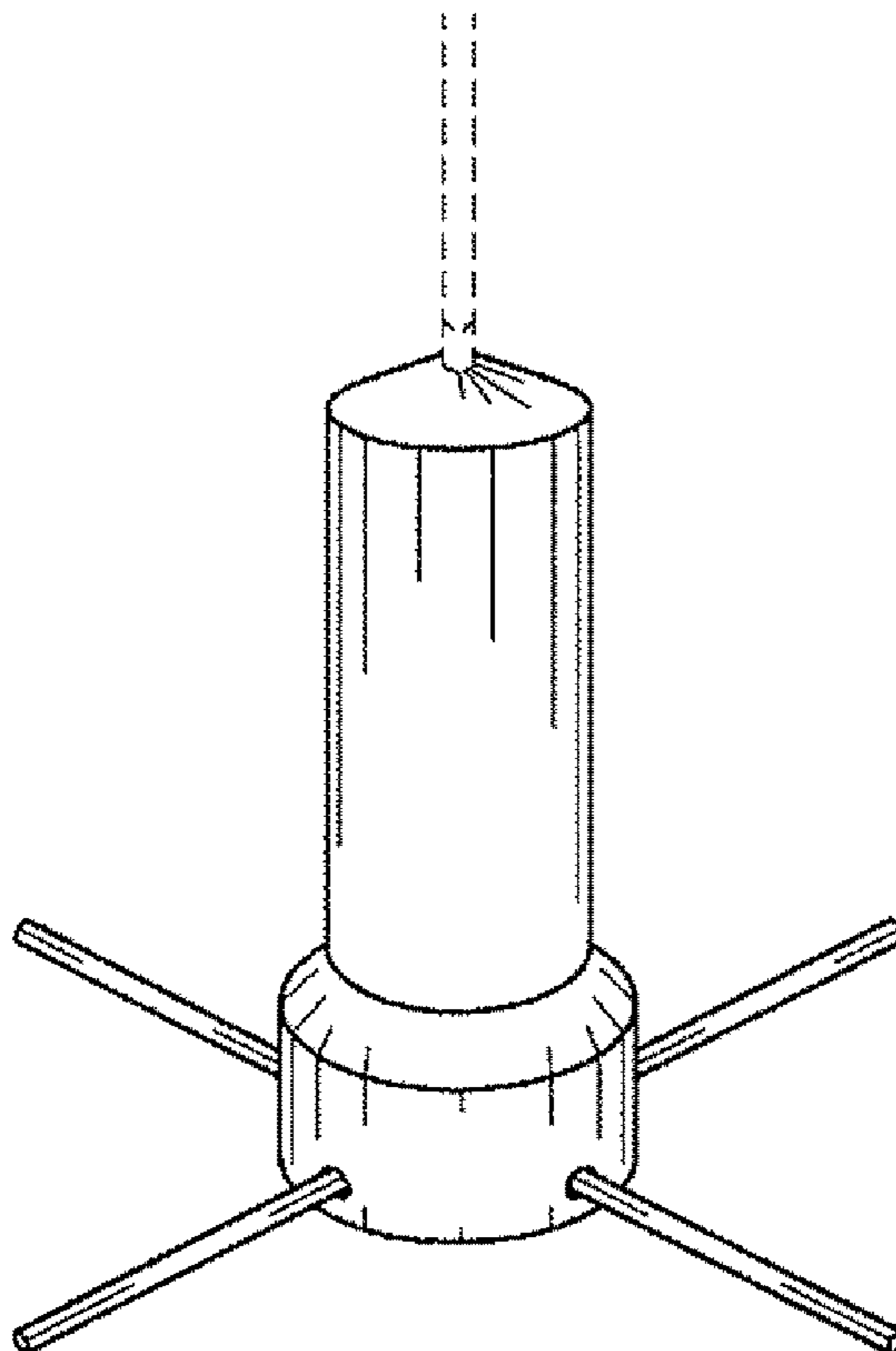
FIG. 6 is a front view of a claw weight for fishing.

FIG. 7 is a top view of a claw weight for fishing; and,

FIG. 8 is a bottom view of a claw weight for fishing.

The front and rear views of each embodiment of the claw weight for fishing are mirror images. The right and left side views of each embodiment of the claw weight for fishing are mirror images. Portions of the article shown in broken lines are for illustrative purposes only and form no part of the claimed design.

**1 Claim, 2 Drawing Sheets**



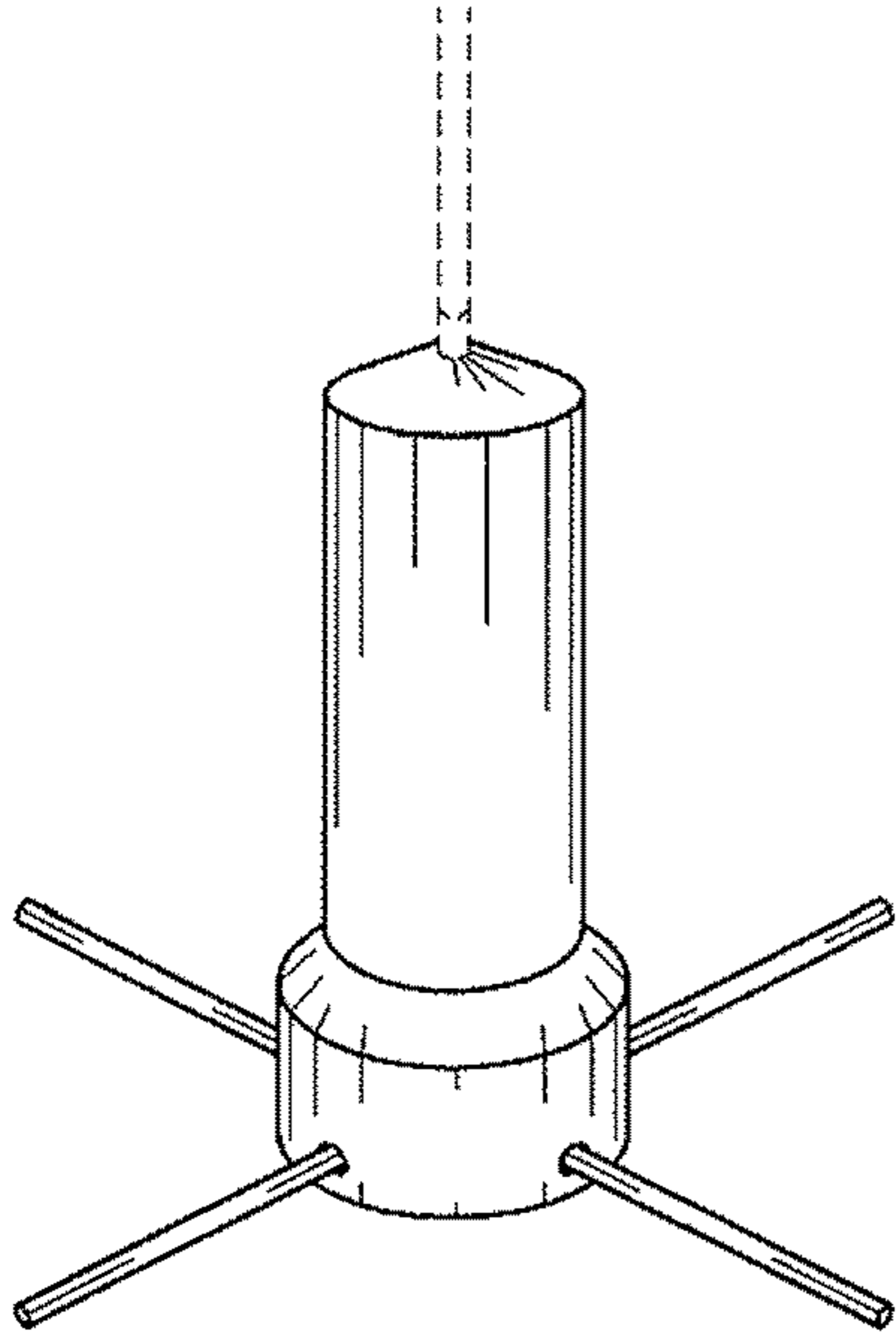


FIG. 1

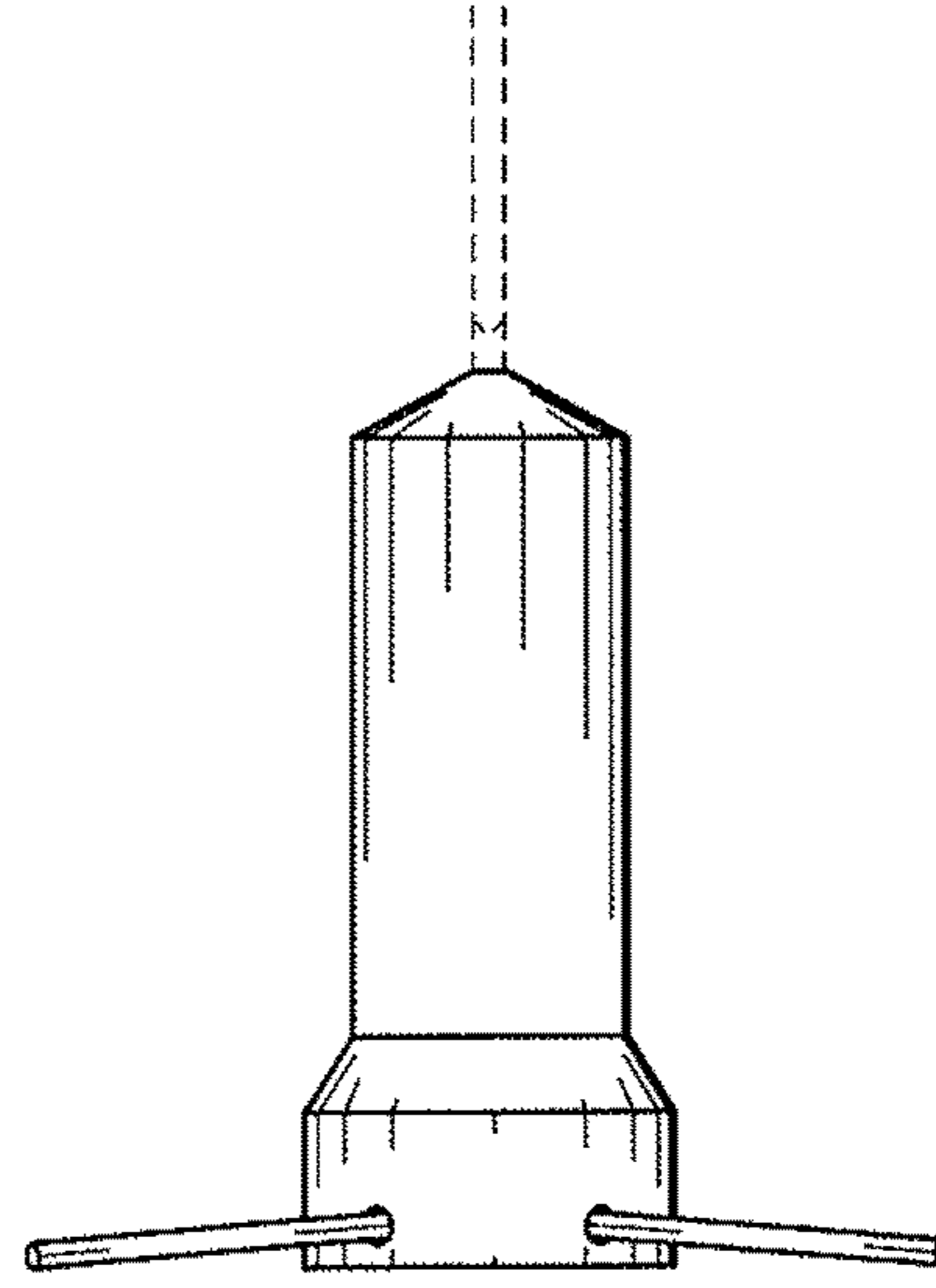


FIG. 2

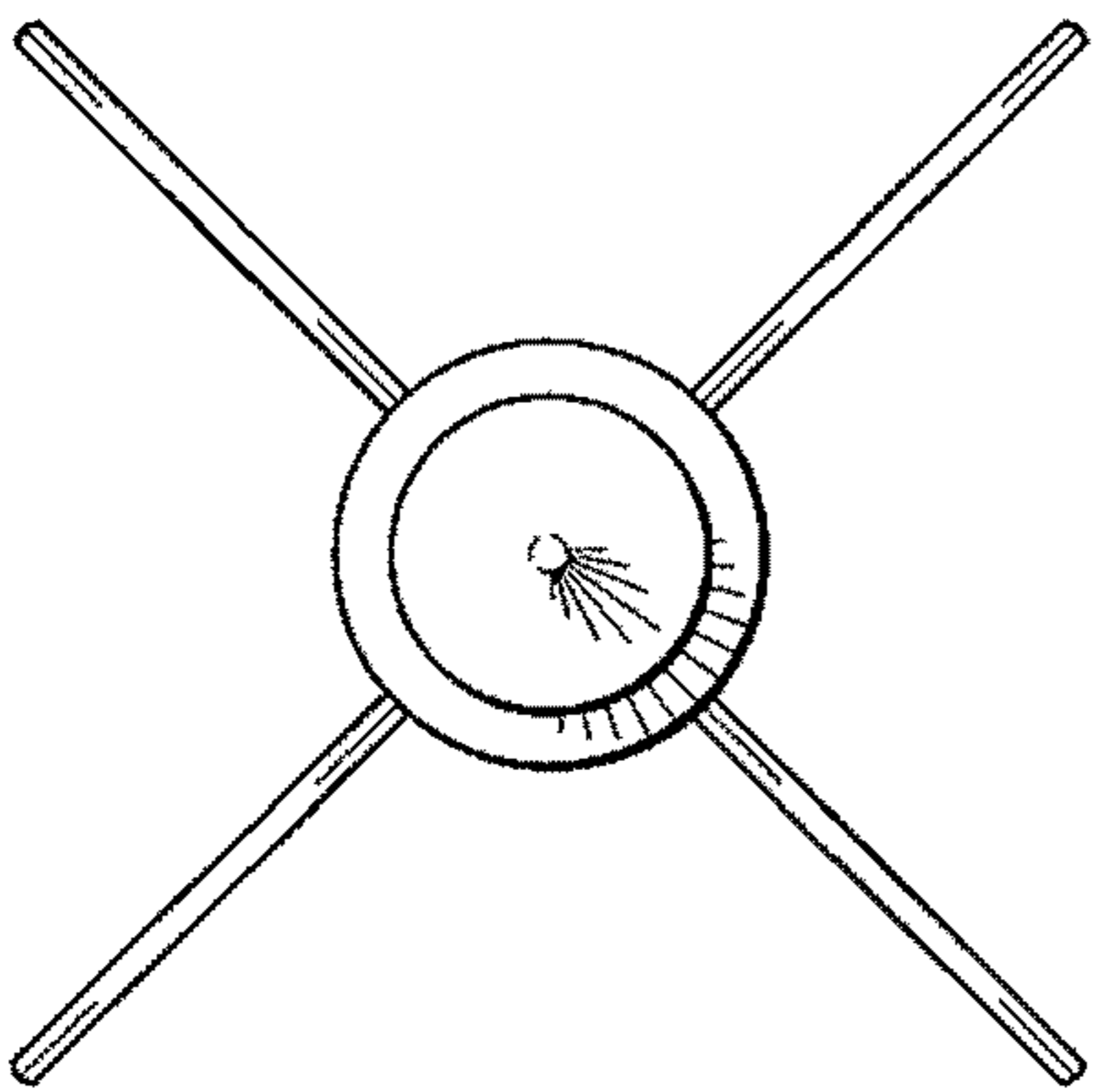


FIG. 3

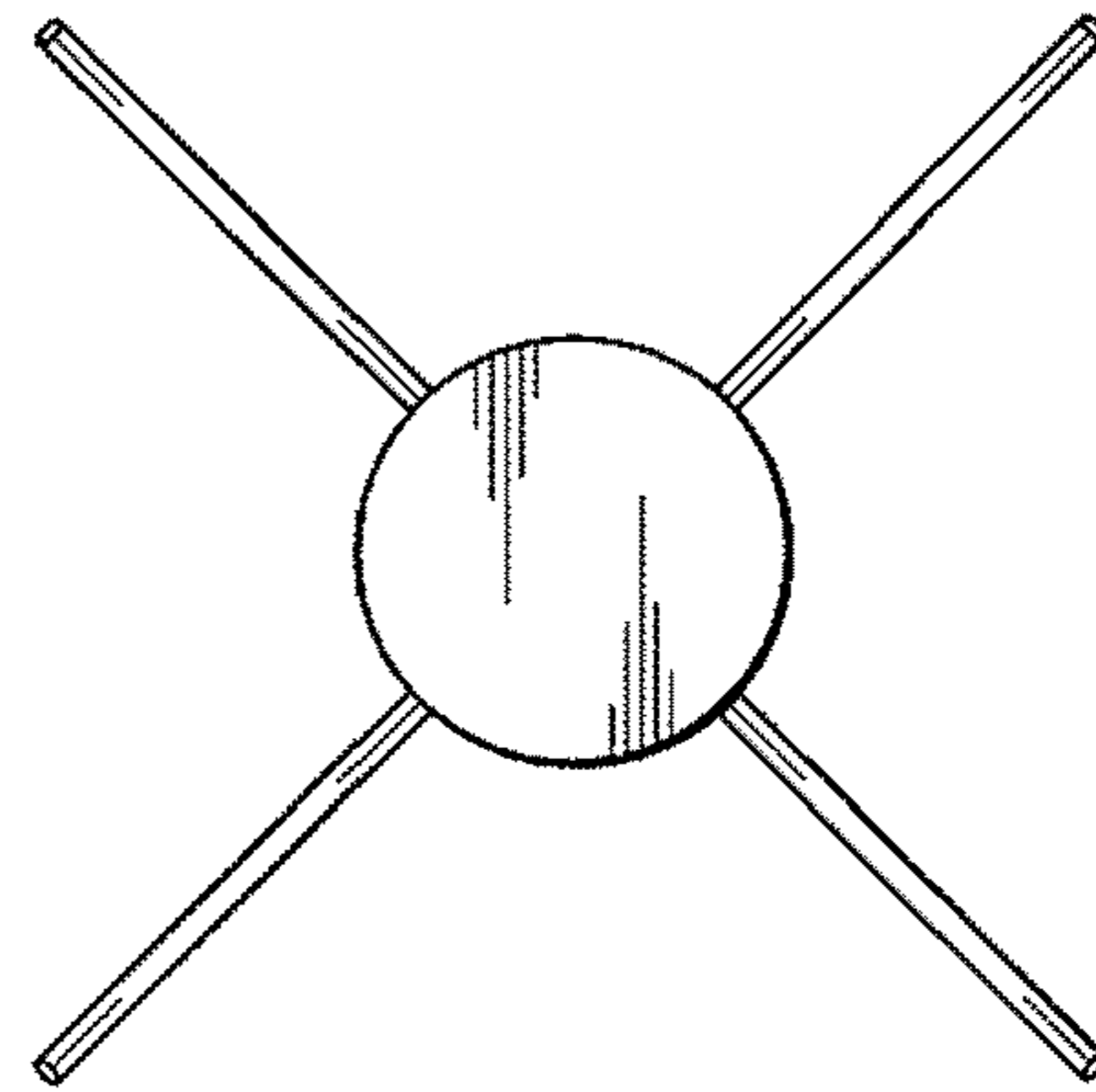


FIG. 4

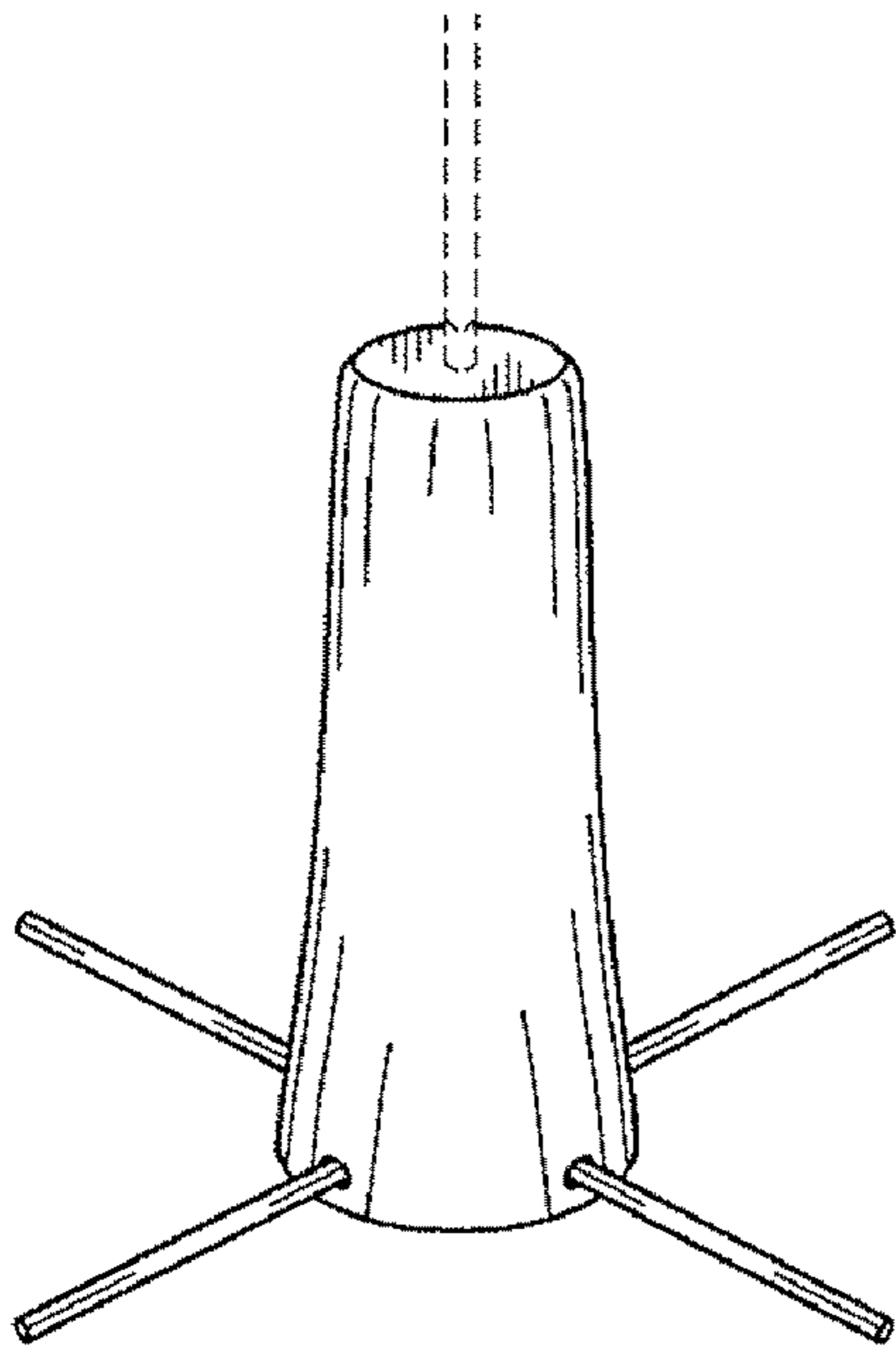


FIG. 5

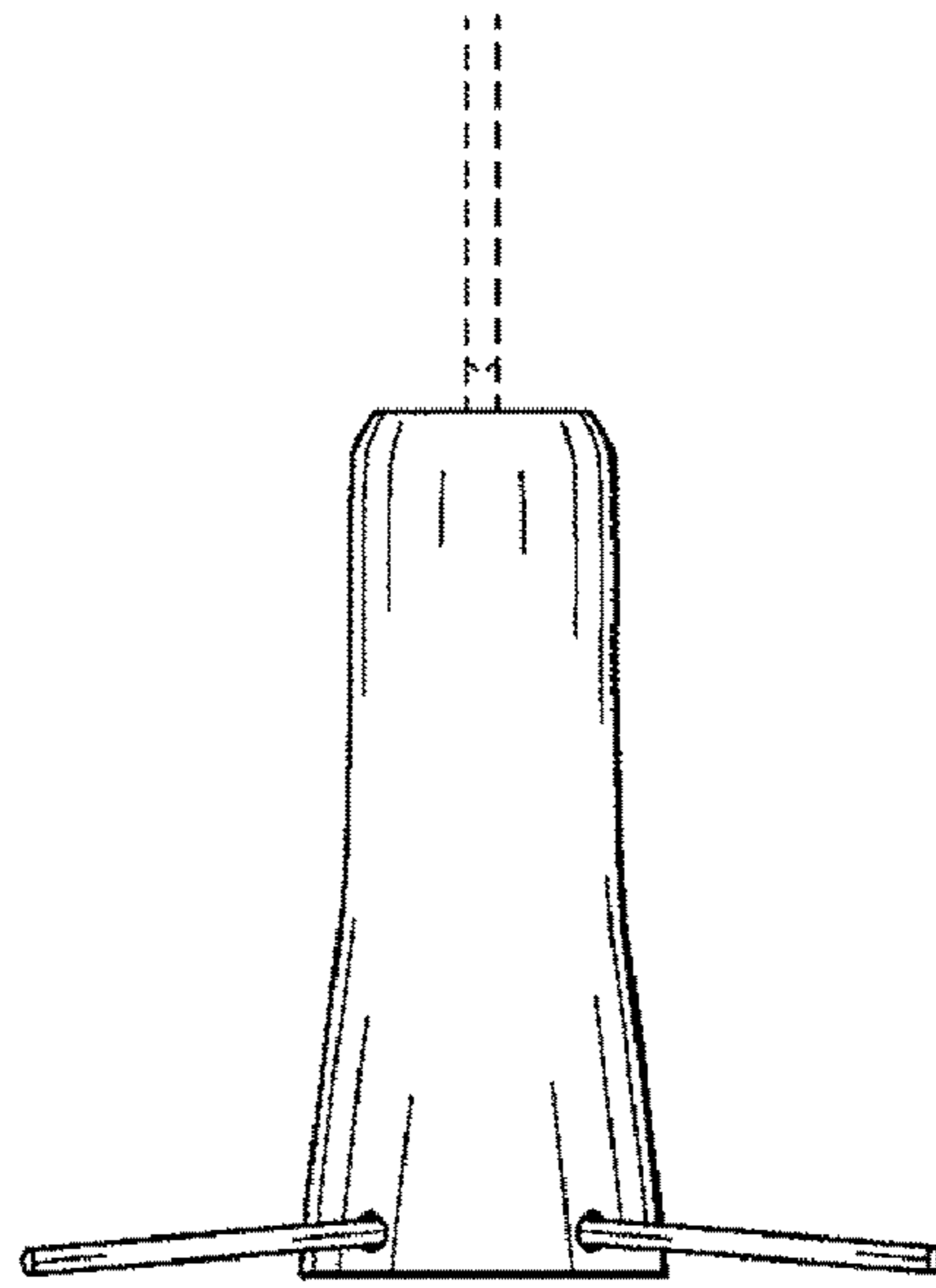


FIG. 6

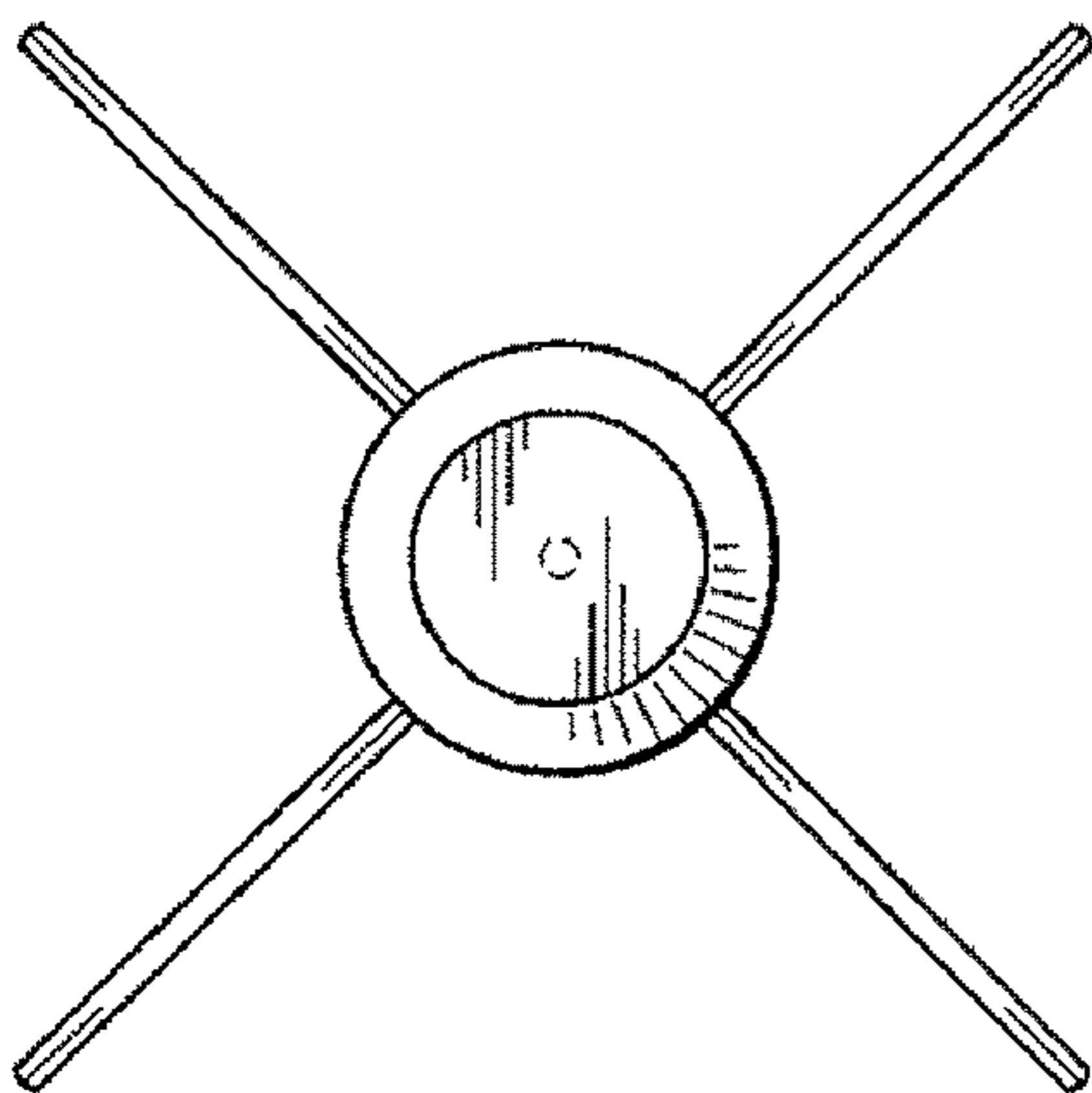


FIG. 7

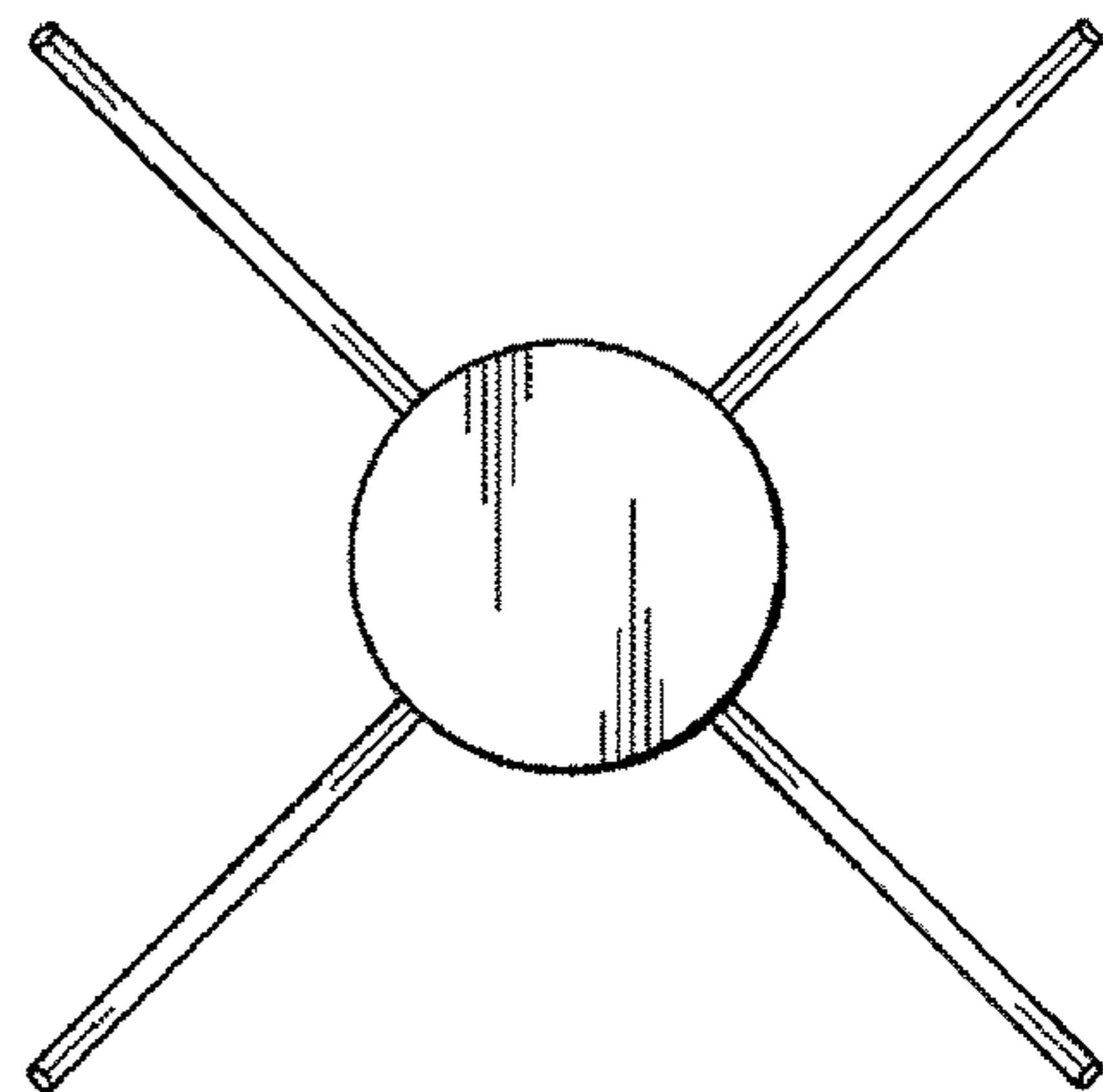


FIG. 8