



US00D650036S

(12) **United States Design Patent**  
**McPherson**

(10) **Patent No.:** **US D650,036 S**

(45) **Date of Patent:** **\*\* Dec. 6, 2011**

(54) **ARCHERY BOWSTRING ACCESSORY**

(76) Inventor: **Mathew A. McPherson**, Norwalk, WI  
(US)

(\*\*) Term: **14 Years**

(21) Appl. No.: **29/355,275**

(22) Filed: **Feb. 4, 2010**

(51) **LOC (9) Cl.** ..... **22-01**

(52) **U.S. Cl.** ..... **D22/107**

(58) **Field of Classification Search** ..... D22/107;  
D8/DIG. 8, 402, 300-320; D24/200, 205,  
D24/215; D21/573, 753, 789, 791; D18/35;  
D10/96; 473/300; 248/118, 118.1-118.5;  
124/86-89

See application file for complete search history.

(56) **References Cited**

U.S. PATENT DOCUMENTS

D123,490 S *	11/1940	Saffell	.....	D8/93
2,777,437 A	1/1957	Allen		
2,910,058 A	10/1959	Bender		
3,010,447 A	11/1961	Roemer		
3,340,862 A	9/1967	Saunders		
3,507,525 A	4/1970	Sable		
D226,429 S	3/1973	Christen		
4,023,551 A	5/1977	Huddleston		
4,050,334 A *	9/1977	Davis, Jr.	.....	81/119
4,079,722 A	3/1978	Griggs		
D266,179 S	9/1982	Peck		
4,909,233 A	3/1990	Stephenson		

D322,022 S *	12/1991	Cunningham et al.	.....	D8/303
D343,234 S *	1/1994	Williams	.....	D24/133
D344,123 S	2/1994	Bertram		
5,287,842 A	2/1994	Saunders		
5,390,657 A	2/1995	Larson		
5,680,851 A	10/1997	Summers		
D410,272 S *	5/1999	Fitzgerald, Jr.	.....	D22/107
RE36,555 E	2/2000	Tentler		
D426,612 S	6/2000	Primeau, IV		
D503,769 S	4/2005	Korn et al.		
7,082,937 B1	8/2006	Land		
D546,659 S *	7/2007	Smith	.....	D8/313
D600,773 S *	9/2009	Hall	.....	D22/139
D627,460 S *	11/2010	Horton	.....	D24/133
D629,896 S *	12/2010	Horton	.....	D24/133
2009/0107474 A1 *	4/2009	Silverson	.....	124/23.1
2010/0319670 A1 *	12/2010	Sims et al.	.....	124/89

\* cited by examiner

*Primary Examiner* — Michael Pratt

(74) *Attorney, Agent, or Firm* — Vidas, Arrett & Steinkraus, P.A.

(57) **CLAIM**

The ornamental design for an archery bowstring accessory, as shown and described.

**DESCRIPTION**

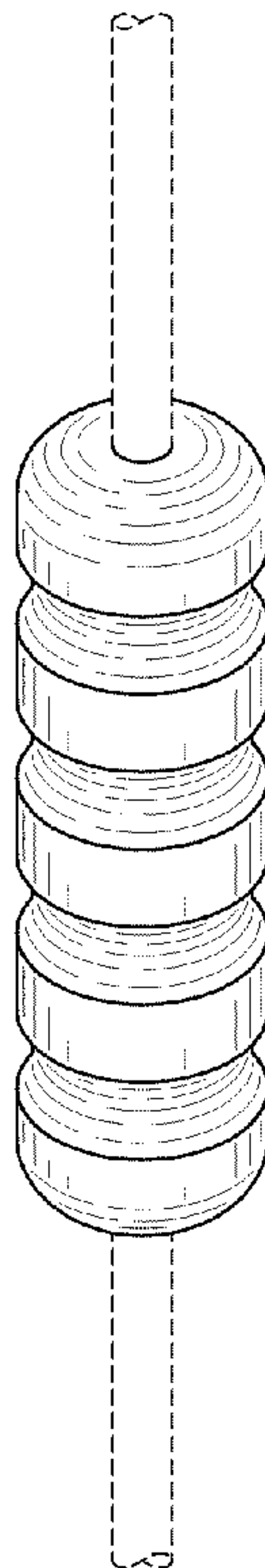
FIG. 1 is a perspective view of the archery bowstring accessory.

FIG. 2 is a side view of the archery bowstring accessory.

FIG. 3 is a top view of the archery bowstring accessory; and,

FIG. 4 is a bottom view of the archery bowstring accessory.

**1 Claim, 1 Drawing Sheet**



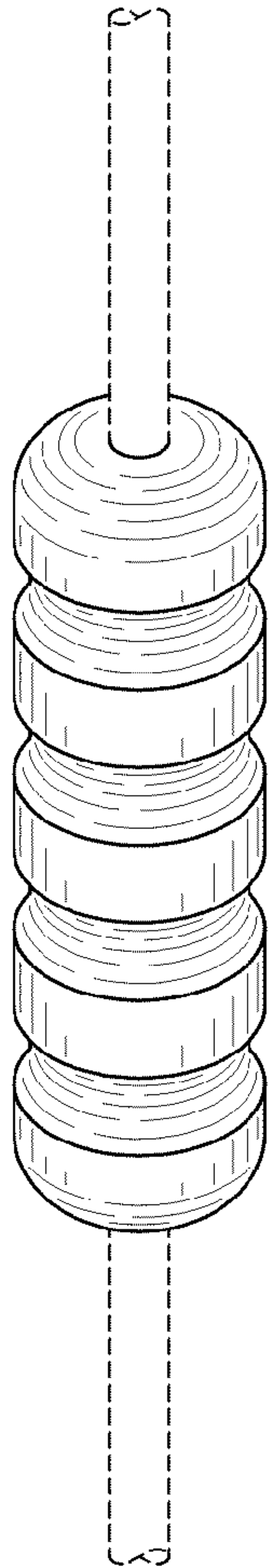


FIG. 1

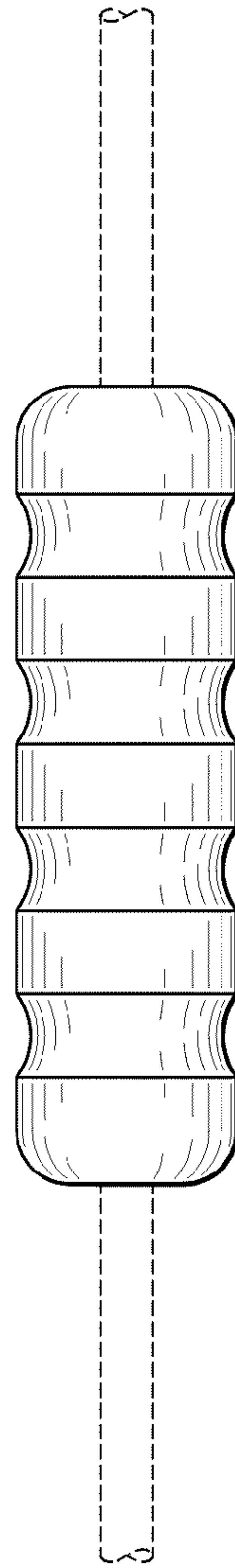


FIG. 2

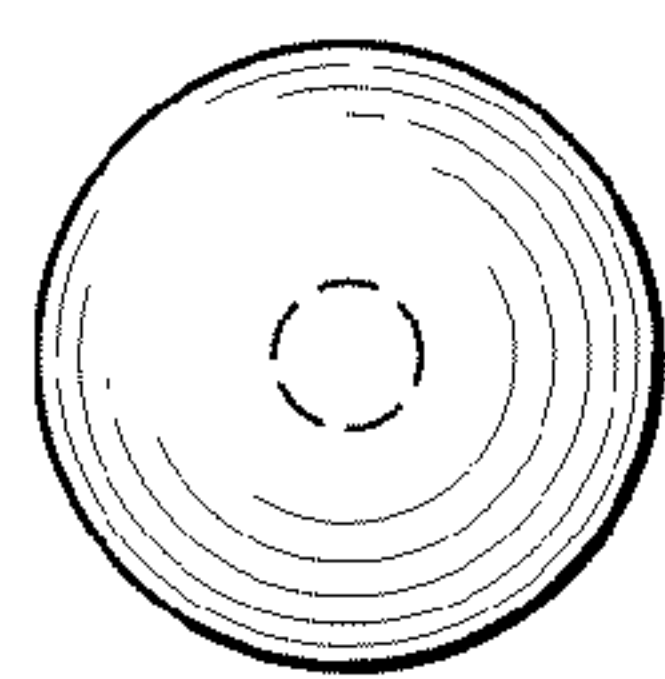


FIG. 3

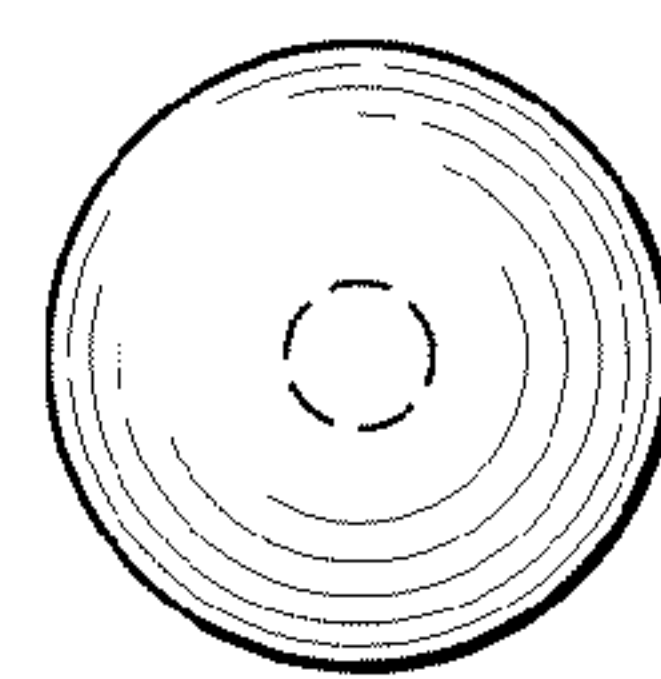


FIG. 4