



US00D650035S

(12) **United States Design Patent**  
**Lindsay et al.**

(10) **Patent No.:** **US D650,035 S**

(45) **Date of Patent:** **\*\* \*Dec. 6, 2011**

(54) **FIREARM**

(75) Inventors: **Timothy Lindsay**, Woodstock, MD (US); **Quan Le**, Virginia Beach, VA (US); **David Kucy**, Virginia Beach, VA (US)

(73) Assignee: **Kriss Systems SA**, Nyon (CH)

(\*\*) Term: **14 Years**

(21) Appl. No.: **29/290,773**

(22) Filed: **Jan. 11, 2008**

(51) **LOC (9) Cl.** ..... **22-01**

(52) **U.S. Cl.** ..... **D22/103**

(58) **Field of Classification Search** ..... D22/100, D22/101, 103, 104, 108, 199; D21/572, D21/573; 42/51, 71.01, 75.01, 75.02, 90, 42/94, 134, 136, 139, 125, 72, 111; 362/110; 33/241, 277; 313/105 R; 89/40.06, 41.19, 89/37.04, 33.04, 191.01, 200-204; 124/67, 124/66, 74

See application file for complete search history.

(56) **References Cited**

**U.S. PATENT DOCUMENTS**

D206,669	S	*	1/1967	Hirsch	.....	D21/573
4,735,007	A	*	4/1988	Gal	.....	42/72
D400,954	S	*	11/1998	Ealovega	.....	D22/104
D510,401	S	*	10/2005	Murello et al.	.....	D22/103
7,418,797	B1	*	9/2008	Cröse	.....	42/74
7,493,721	B2	*	2/2009	Swan	.....	42/125
2008/0155874	A1	*	7/2008	Jebsen et al.	.....	42/1.06

**OTHER PUBLICATIONS**

Attached PDF File KRISS 2.pdf image capture of Youtube Video uploaded on Oct 22, 2007. At URL: <http://www.youtube.com/watch?v=vHrsQriJb5c>—Found Feb. 8, 2011.\*

Attached PDF file KRISS 3.pdf image capture of Youtube Video uploaded on Oct 26, 2007—At URL: <http://www.youtube.com/watch?v=COZd55As1UM>—Found Feb. 8, 2011.\*

Attached PDF file KRISS 4.pdf image capture of Youtube Video uploaded on Jan 12, 2007 at URL: <http://www.youtube.com/watch?v=0AAFDkWnyUg>—Found Feb. 8, 2011.\*

\* cited by examiner

*Primary Examiner* — T. Chase Nelson

*Assistant Examiner* — Michael Pratt

(74) *Attorney, Agent, or Firm* — Wiley Rein LLP

(57) **CLAIM**

The ornamental design for a firearm, as shown and described.

**DESCRIPTION**

FIG. 1 is a side elevational perspective of a firearm according to the novel design.

FIG. 2 is a side elevational perspective of a firearm according to the novel design.

FIG. 3 is a front view of a firearm according to a novel design.

FIG. 4 is a back view of an firearm according to the novel design.

FIG. 5 is a top view of a firearm according to the novel design.

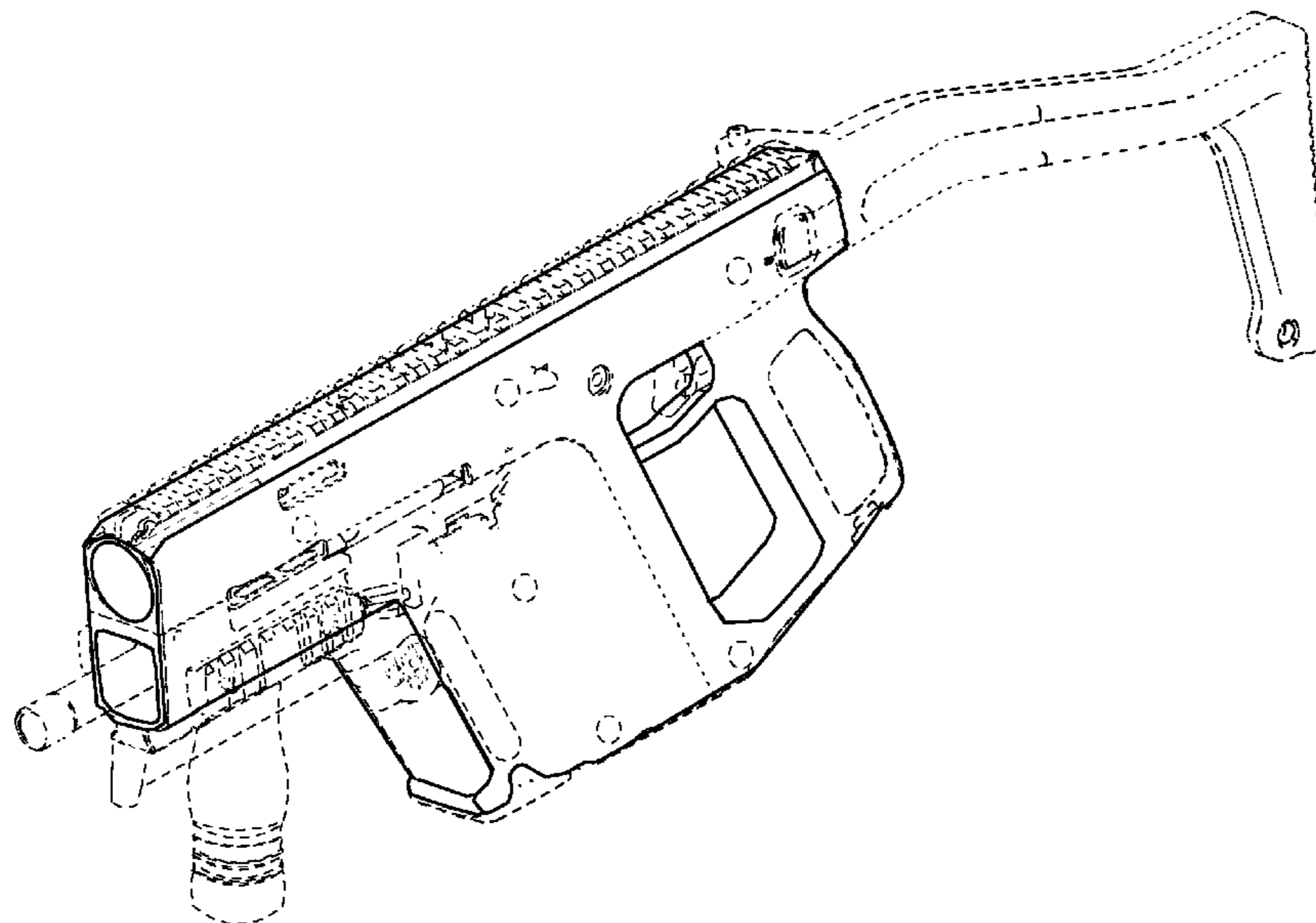
FIG. 6 is a bottom view of a firearm according to the novel design.

FIG. 7 is a side view of a firearm according to the novel design; and,

FIG. 8 is a side view of a firearm according to the novel design.

The broken lines included in FIGS. 1-8 depict elements that are not part of the claimed design and are included to illustrate environment.

**1 Claim, 5 Drawing Sheets**



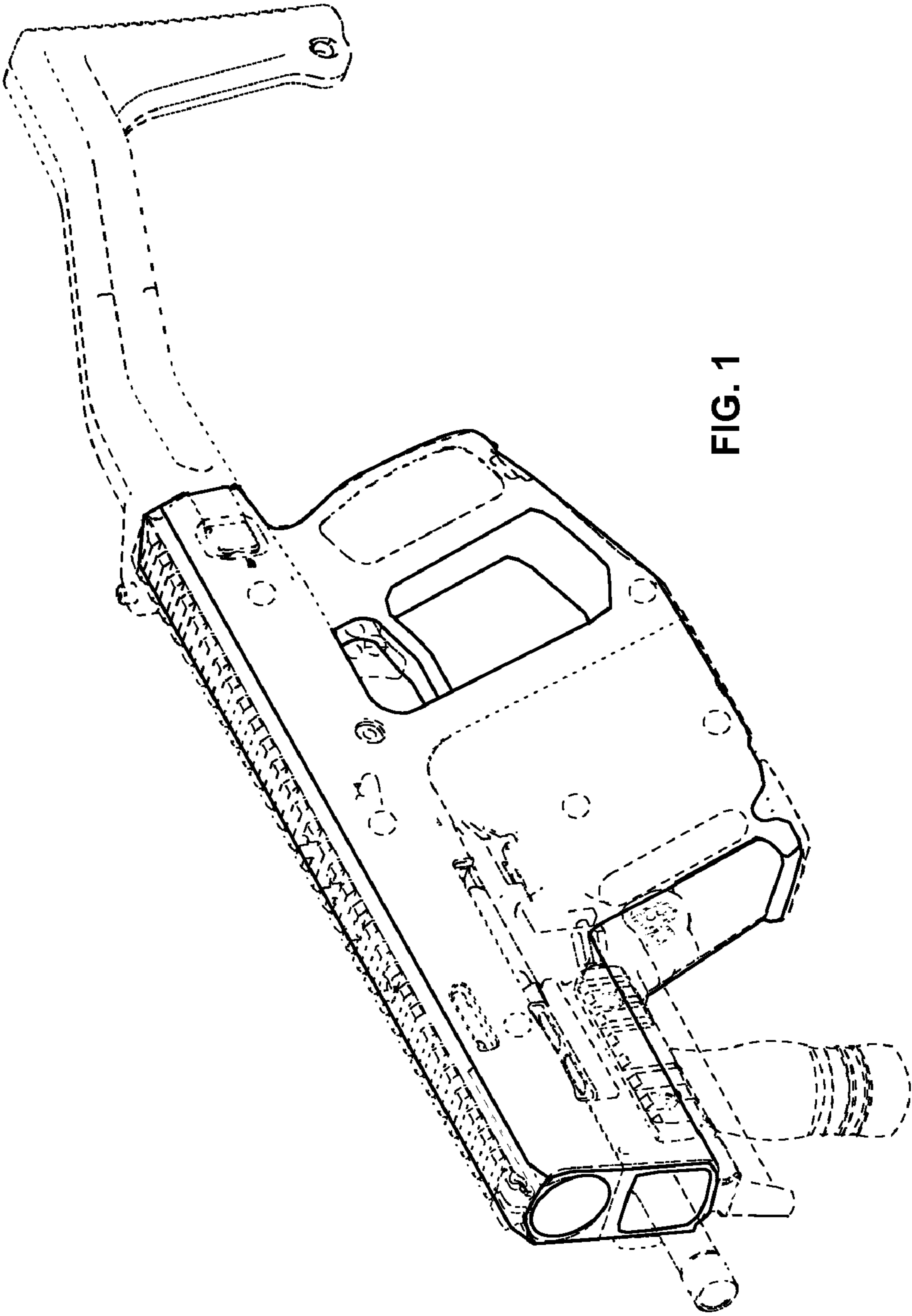


FIG. 1

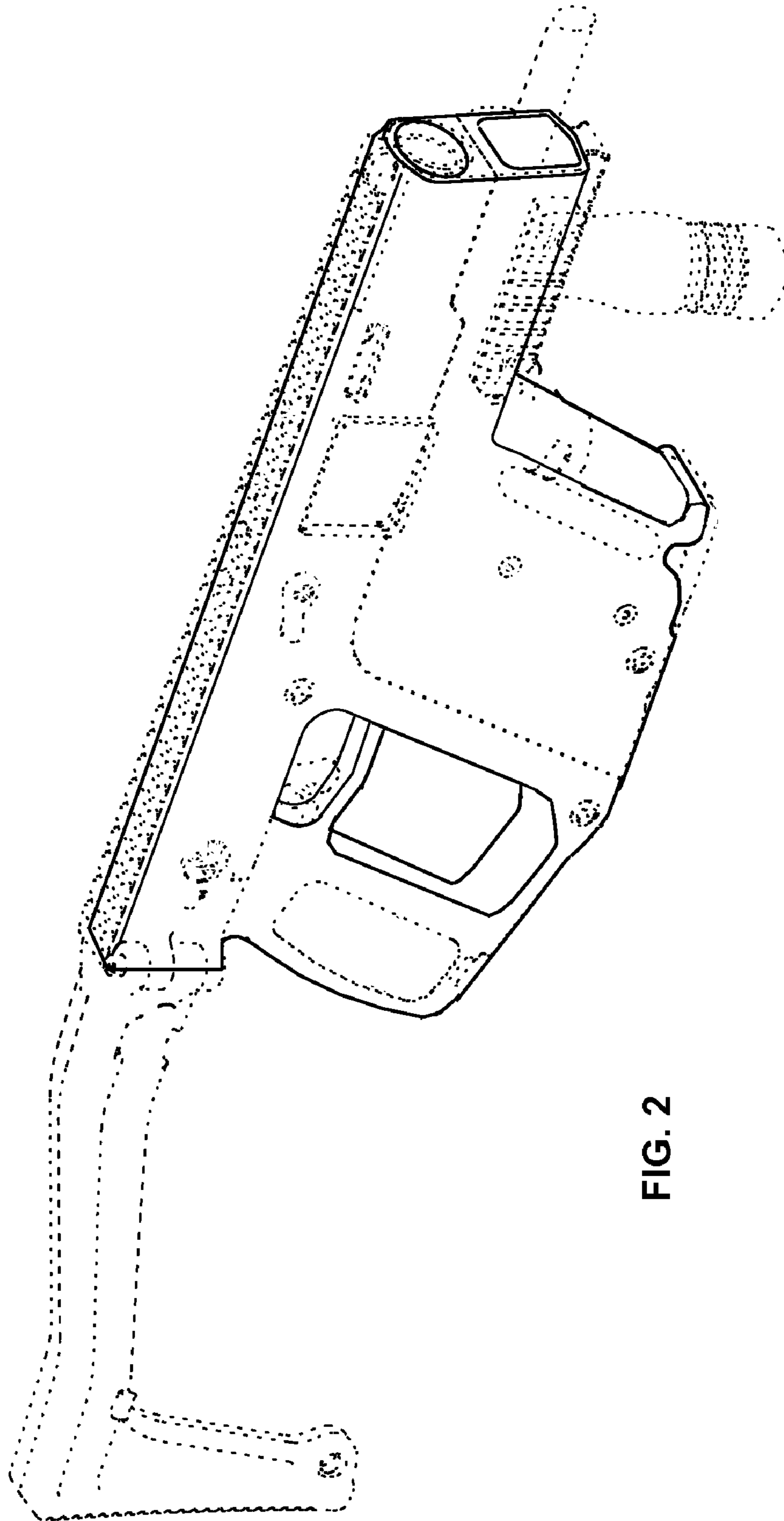
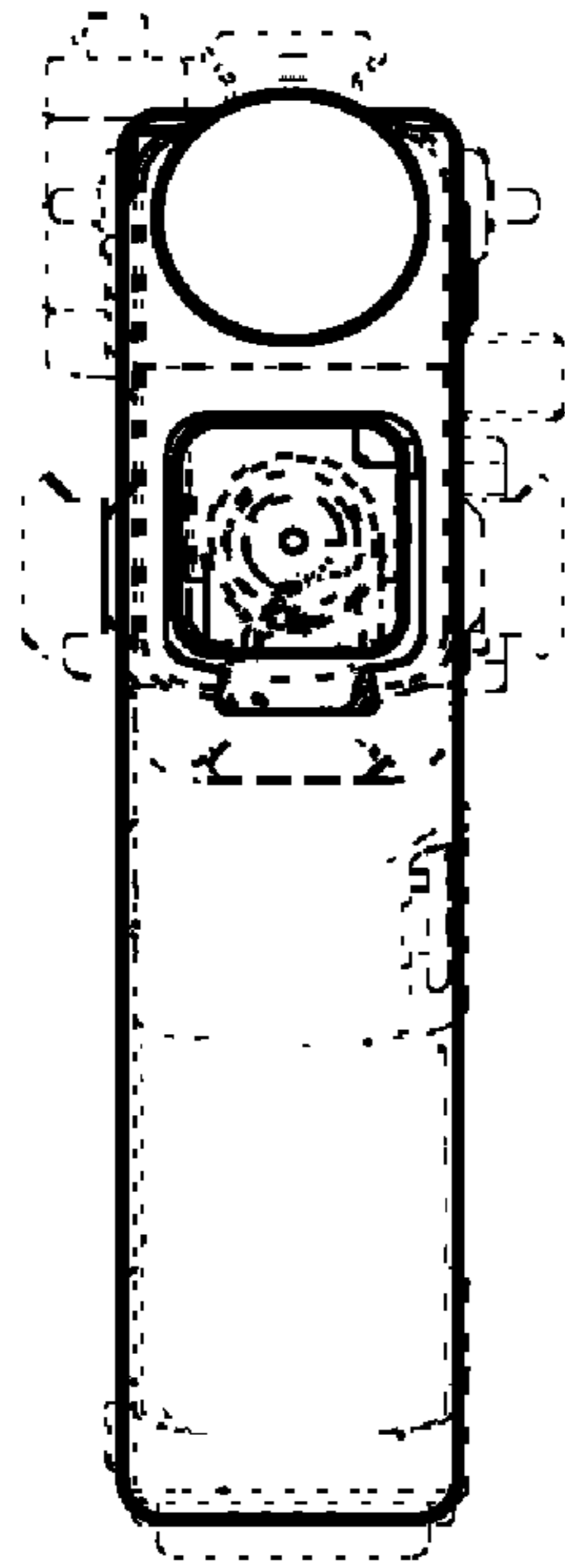
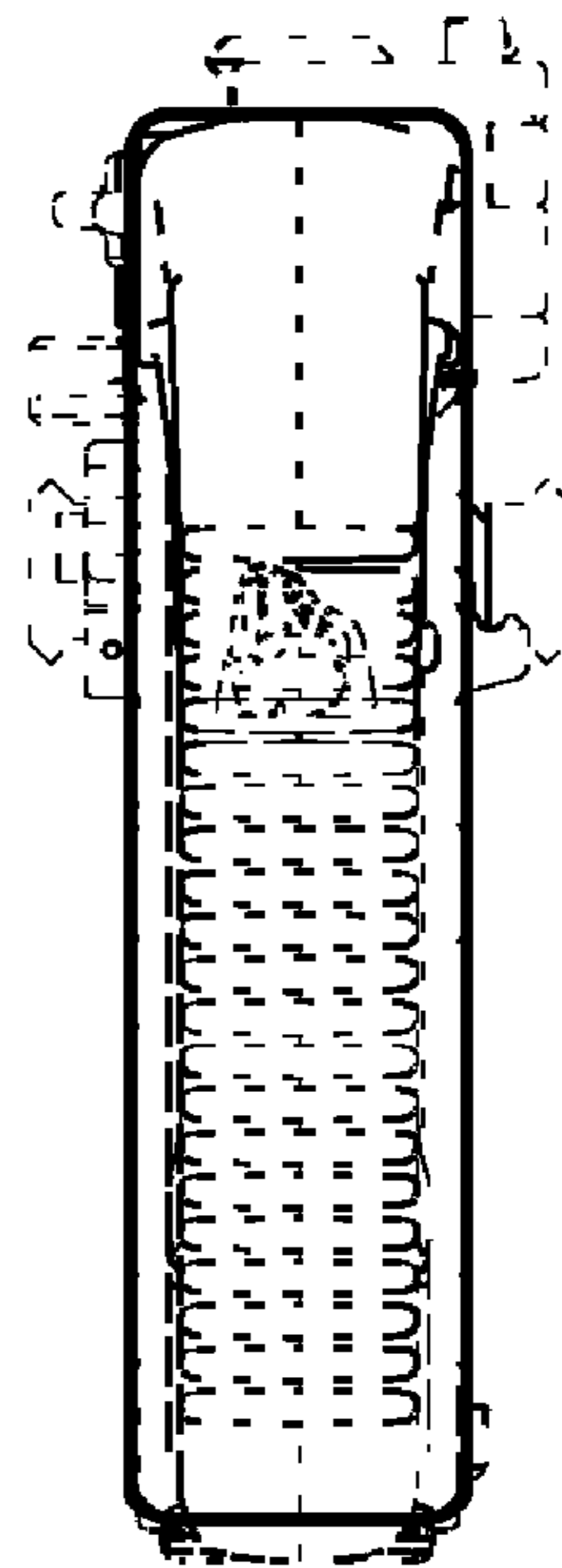


FIG. 2



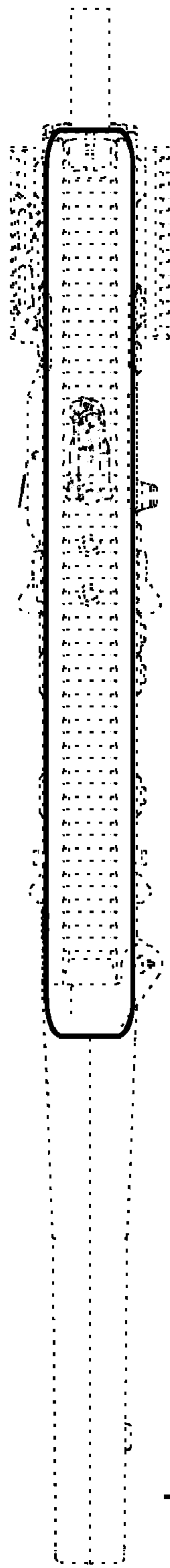
FRONT

FIG. 3



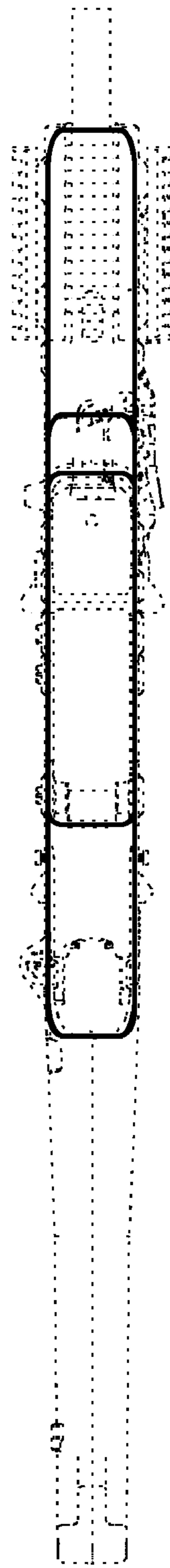
BACK

FIG. 4



TOP

FIG. 5



BOTTOM

FIG. 6

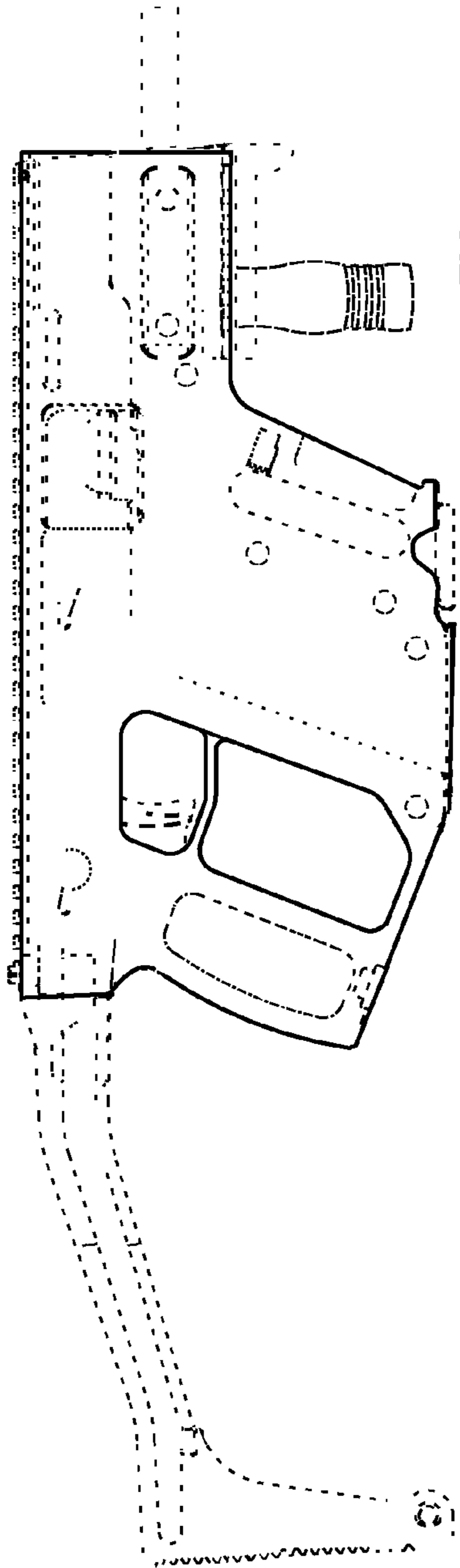


FIG. 7

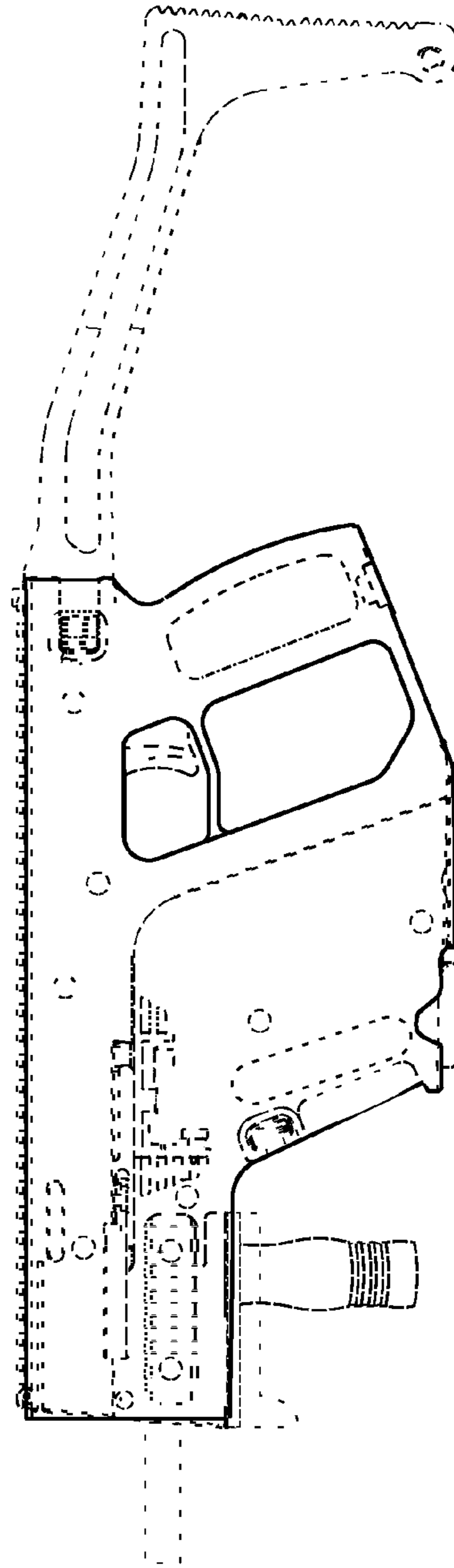


FIG. 8