



US00D650032S

(12) **United States Design Patent**
Vick

(10) **Patent No.:** **US D650,032 S**

(45) **Date of Patent:** **** *Dec. 6, 2011**

(54) **GAP-SLOTTED PROTECTOR FOR A PERSONAL FLOTATION DEVICE**

(76) Inventor: **George D. Vick**, Charleston, SC (US)

(*) Notice: This patent is subject to a terminal disclaimer.

(**) Term: **14 Years**

(21) Appl. No.: **29/370,624**

(22) Filed: **Aug. 13, 2010**

(51) **LOC (9) Cl.** **21-03**

(52) **U.S. Cl.** **D21/803**

(58) **Field of Classification Search** D21/804,
D21/805; D29/100, 101.1, 101, 4; 2/456,
2/458, 467, 463; 441/88, 89, 106, 108, 111,
441/114-117

See application file for complete search history.

(56) **References Cited**

U.S. PATENT DOCUMENTS

3,763,972	A *	10/1973	Karzmar	190/8
4,190,918	A *	3/1980	Harvell	5/653
4,822,309	A *	4/1989	Vandenberg	441/35
4,843,662	A *	7/1989	Handelman	5/653
D366,383	S *	1/1996	Briegleb	D6/601
D366,800	S *	2/1996	Moore, Jr.	D6/601
5,785,568	A *	7/1998	Lake	441/127

D413,733	S *	9/1999	Edmonds	D6/336
6,568,976	B2 *	5/2003	Anderson et al.	441/80
D601,844	S *	10/2009	Miller	D6/611

* cited by examiner

Primary Examiner — Zenia Bennett

(57) **CLAIM**

The ornamental design for a gap-slotted protector for a personal flotation device, as shown and described.

DESCRIPTION

FIG. 1 is a perspective view of a gap-slotted protector for a personal flotation device, showing my new design in condition of use closed over a personal flotation device;

FIG. 2 is a perspective view thereof, shown in an open position;

FIG. 3 is a perspective view thereof;

FIG. 4 is a rear end elevational view thereof;

FIG. 5 is a left side elevational view thereof;

FIG. 6 is a top plan view thereof;

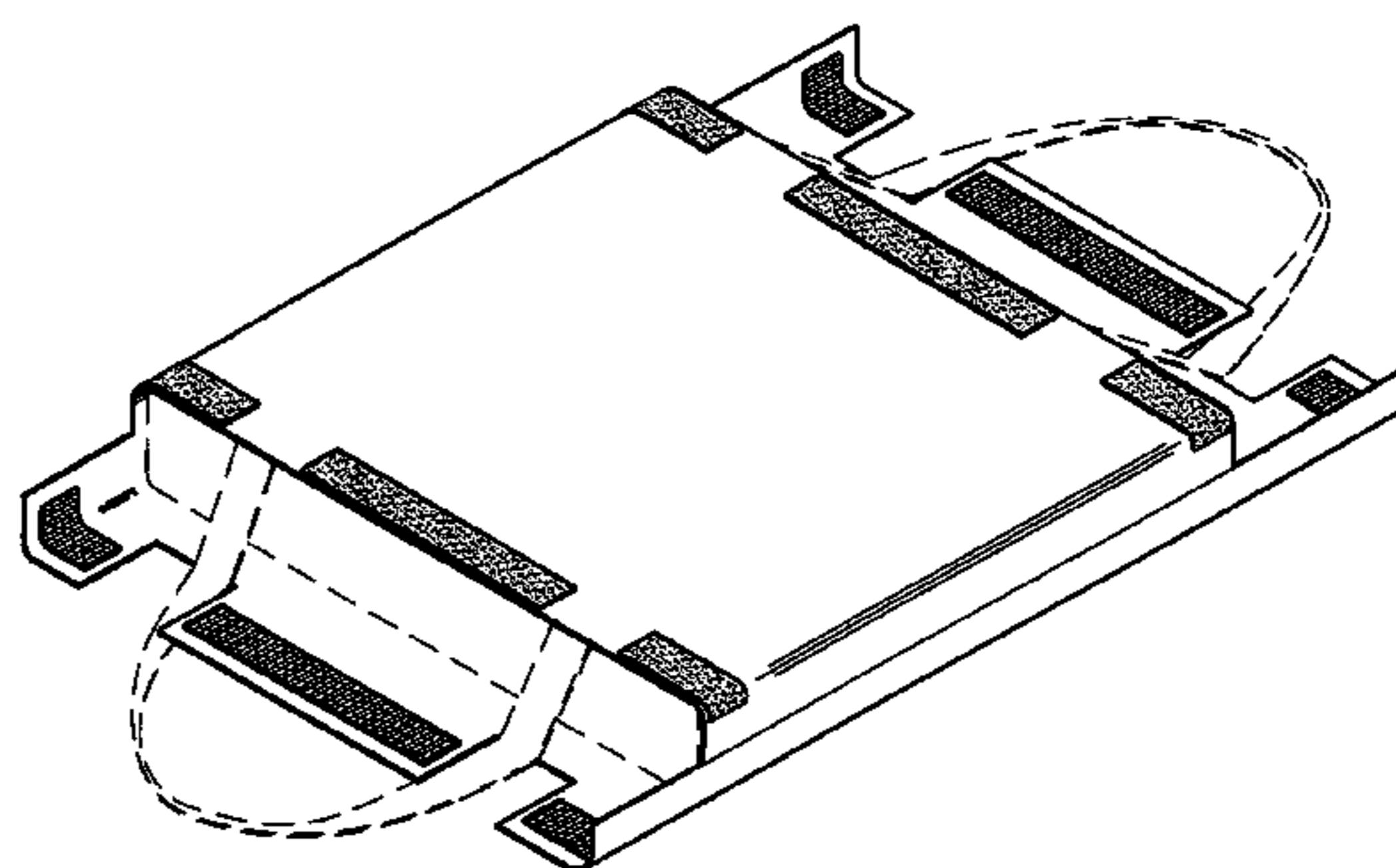
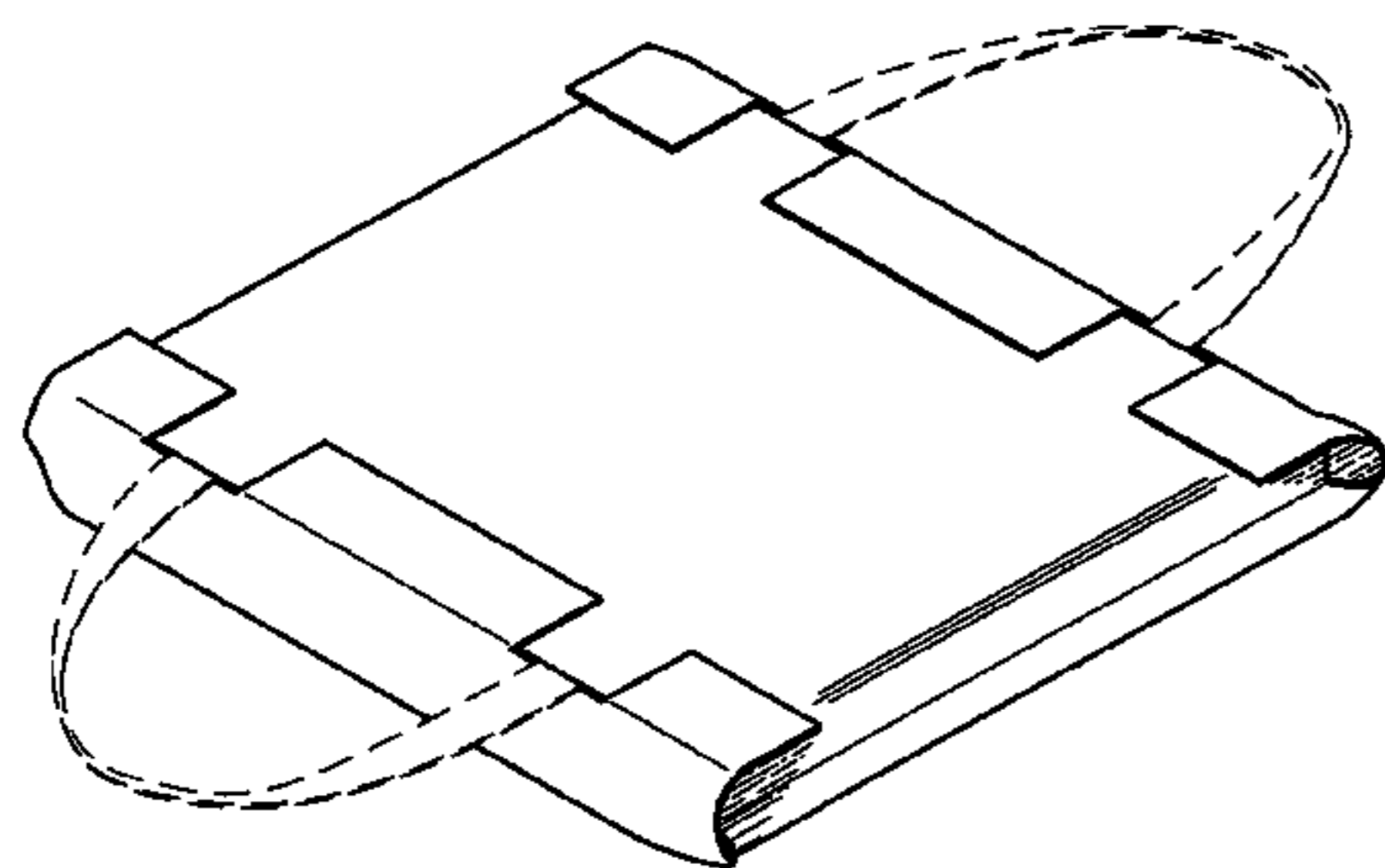
FIG. 7 is a right side elevational view thereof;

FIG. 8 is a front end elevational view thereof; and,

FIG. 9 is a bottom plan view thereof.

The broken line showing of a personal flotation device with its straps in FIGS. 1-3 is for illustrative purposes only and forms no part of the claimed design or of a specified embodiment thereof.

1 Claim, 4 Drawing Sheets



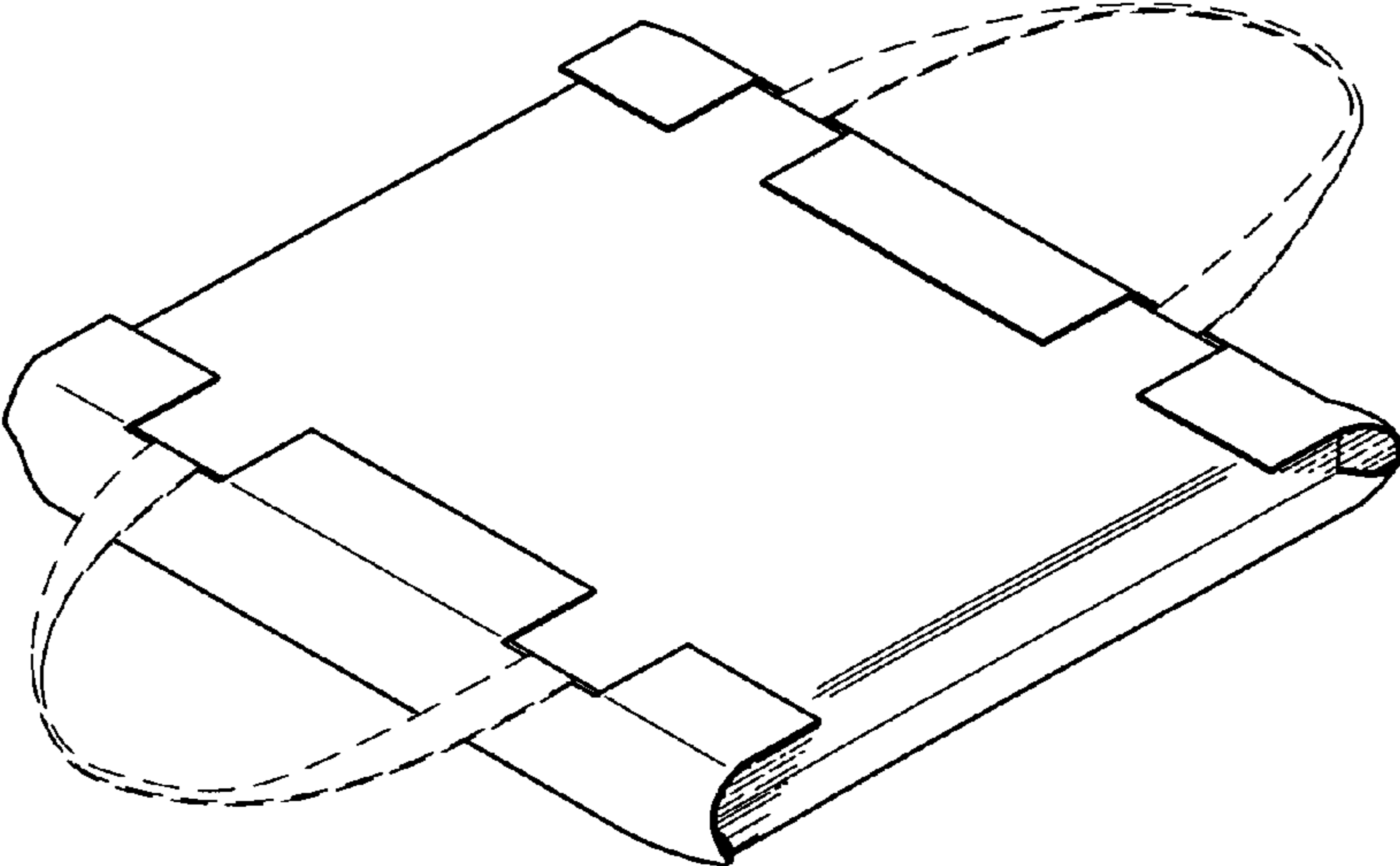


Fig. 1

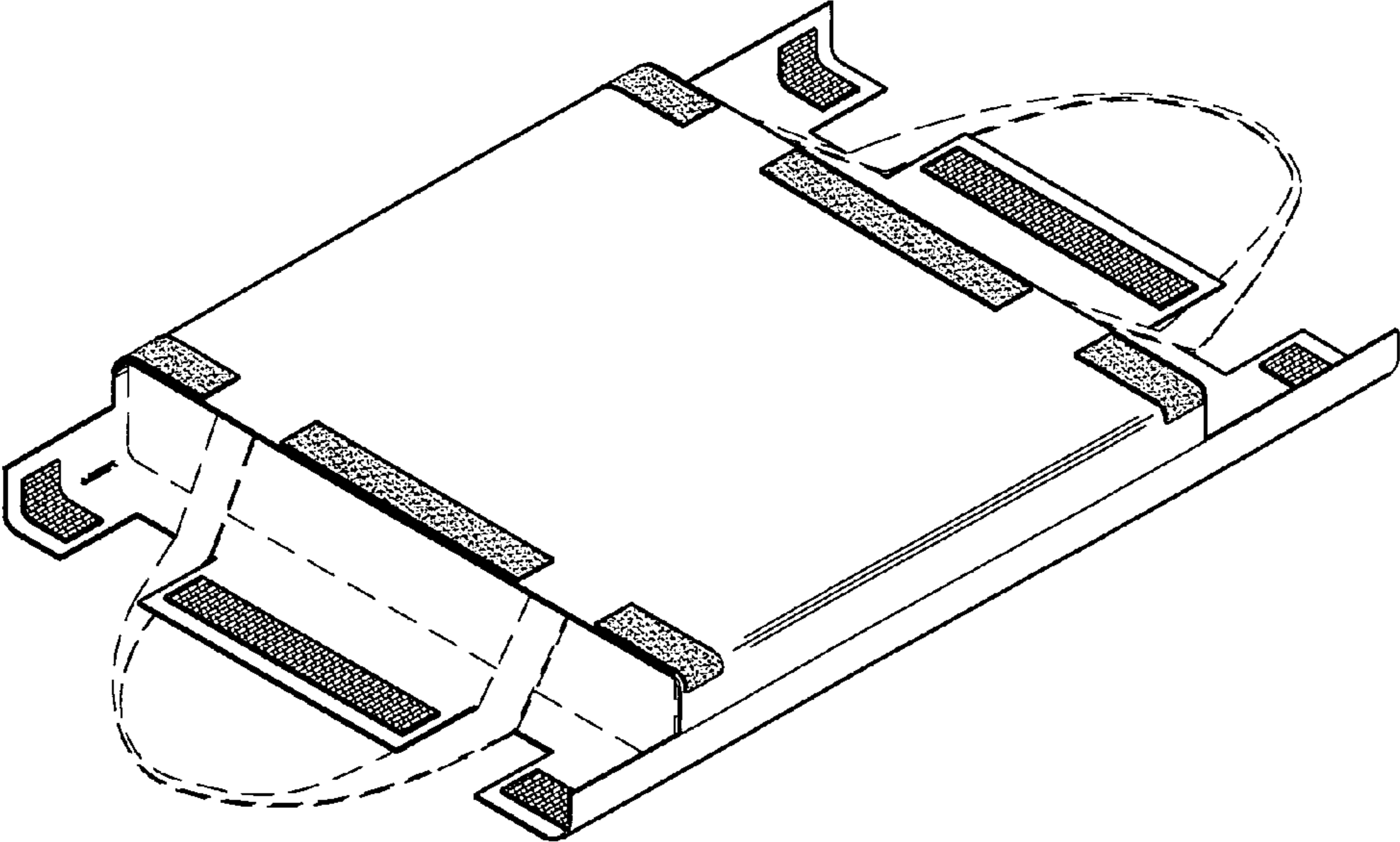


Fig. 2

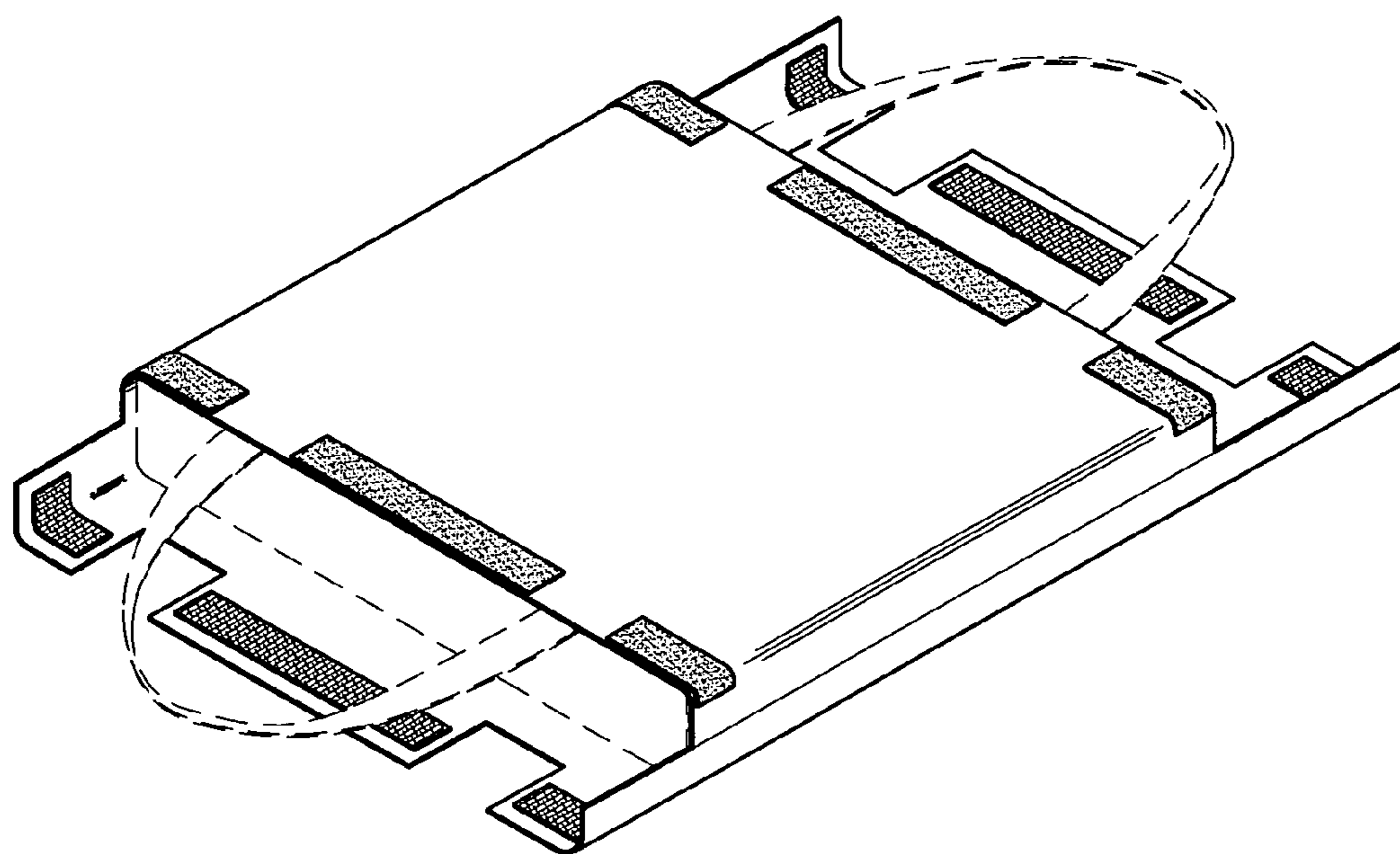


Fig. 3



Fig. 4

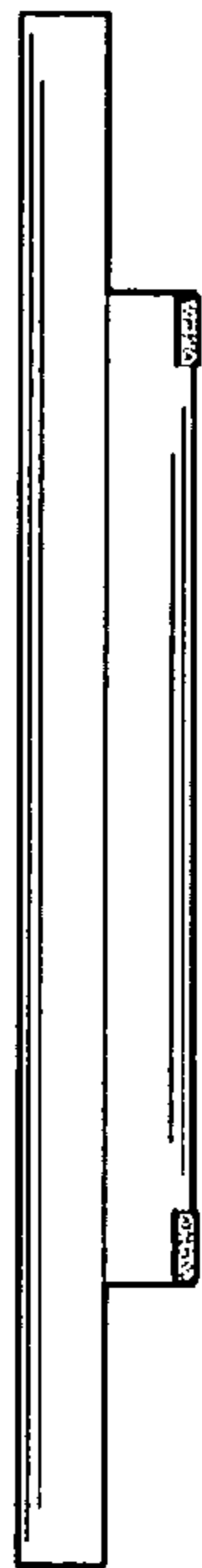


Fig. 5

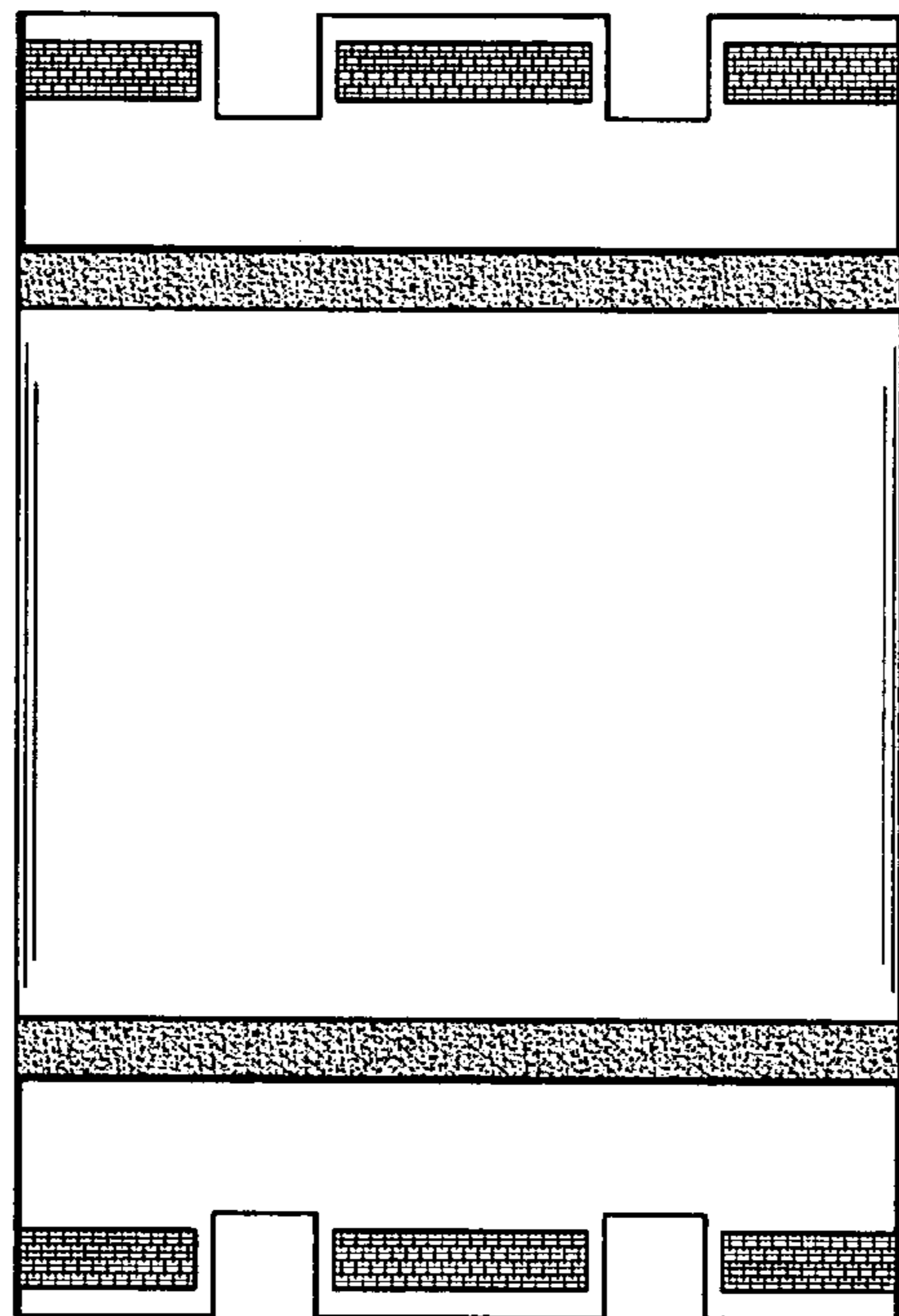


Fig. 6



Fig. 7



Fig. 8

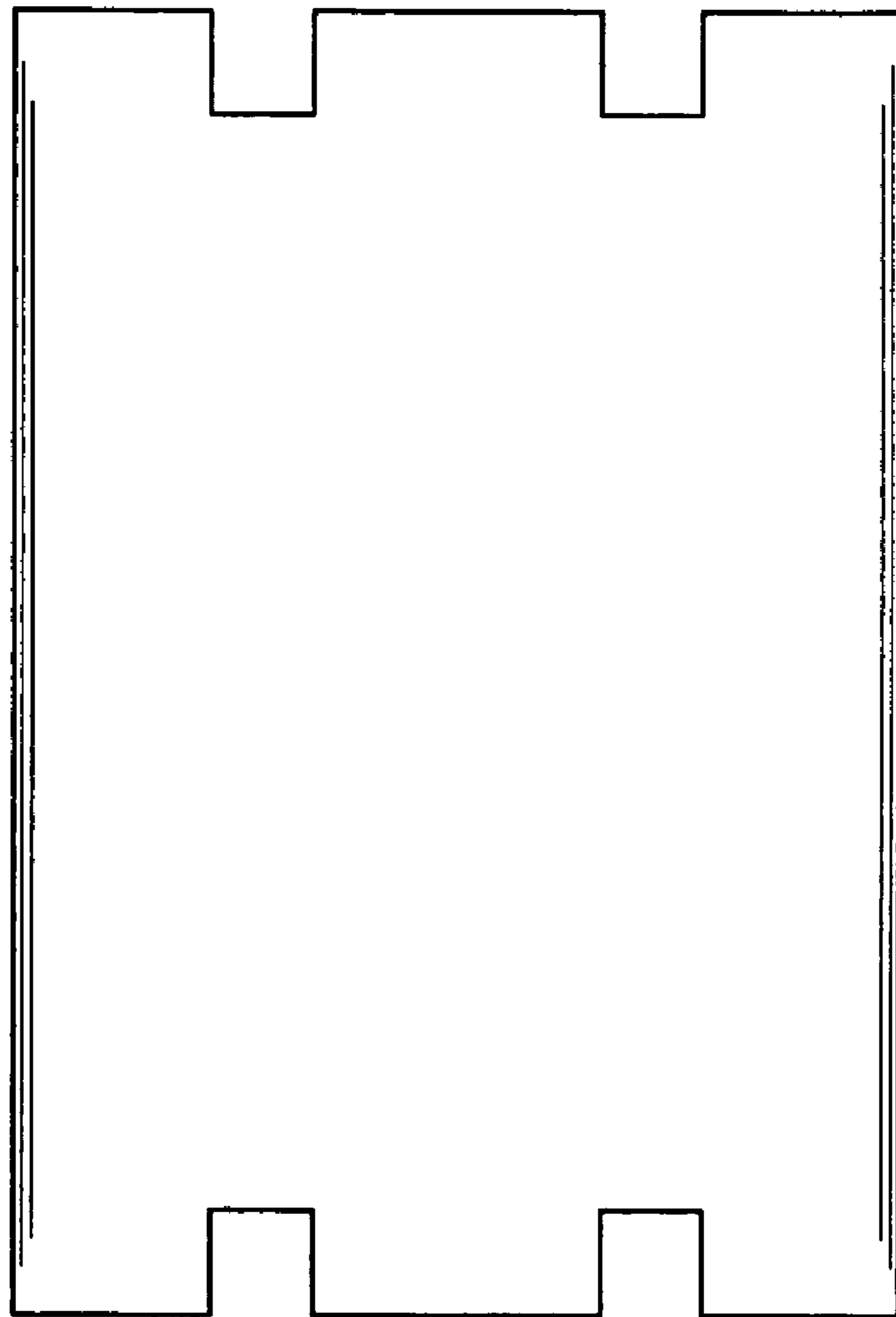


Fig. 9