



US00D650029S

(12) **United States Design Patent**
Coleman et al.

(10) **Patent No.:** **US D650,029 S**
(45) **Date of Patent:** **** Dec. 6, 2011**

(54) **SKI TIP CONNECTOR**

(75) Inventors: **R. Scott Coleman**, Ogden, UT (US);
David O. Meyers, Kaysville, UT (US)

(73) Assignee: **Hookease IP Holdings, LLC**, Ogden,
UT (US)

(**) Term: **14 Years**

(21) Appl. No.: **29/392,280**

(22) Filed: **May 19, 2011**

Related U.S. Application Data

(63) Continuation of application No. 13/100,027, filed on
May 3, 2011.

(51) **LOC (9) Cl.** **21-02**

(52) **U.S. Cl.** **D21/769; D21/766**

(58) **Field of Classification Search** **D21/760,**

D21/761, 765, 766, 801, 803; 441/65-66,

441/68-69, 72-75, 79; D12/6; 280/11.3,

280/11.31, 601-606, 609-610

See application file for complete search history.

(56) **References Cited**

U.S. PATENT DOCUMENTS

3,703,299	A	*	11/1972	Kutchma	280/818
D249,816	S	*	10/1978	Zelle	D3/259
D264,985	S	*	6/1982	Haber et al.	D21/777
4,460,344	A	*	7/1984	Notermann	441/73
4,936,603	A	*	6/1990	Reynaud	280/818
4,981,455	A	*	1/1991	Tubens	441/73
D348,034	S	*	6/1994	Mann	D12/412
D366,083	S	*	1/1996	Zemke	D21/774

* cited by examiner

Primary Examiner — Zenia Bennett

(74) *Attorney, Agent, or Firm* — Maschoff Gilmore &
Israelsen

(57) **CLAIM**

The ornamental design for a ski tip connector, as shown and
described in the Figures.

DESCRIPTION

FIG. 1 is a perspective view of a ski tip connector for con-
necting the tips of two snow skis together;

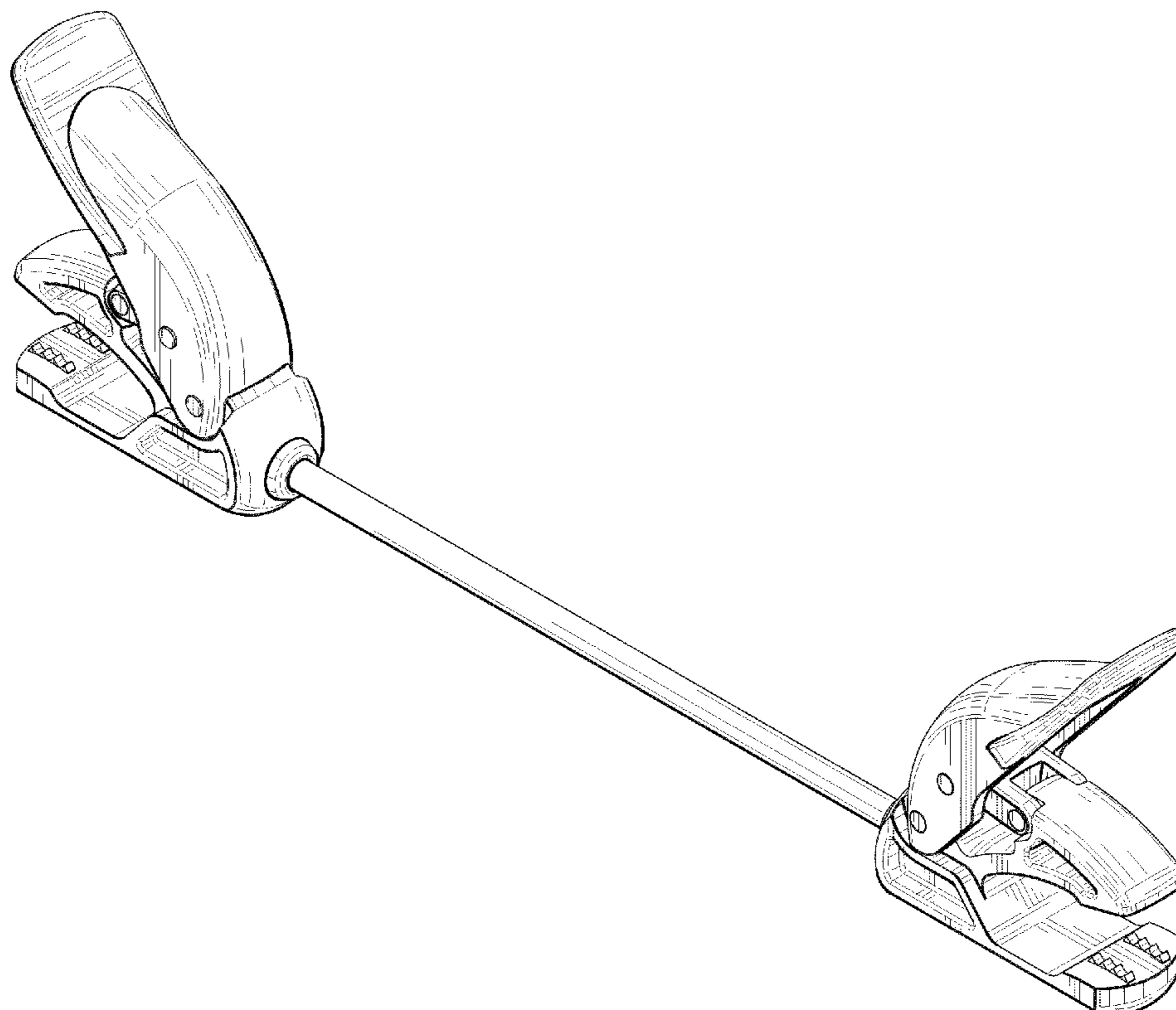
FIG. 2 is a front elevational view thereof, the rear elevational
view being a mirror image thereof;

FIG. 3 is a left side elevational view thereof, the right side
elevational view being a mirror image thereof;

FIG. 4 is a top plan view thereof; and,

FIG. 5 is a bottom plan view thereof.

1 Claim, 3 Drawing Sheets



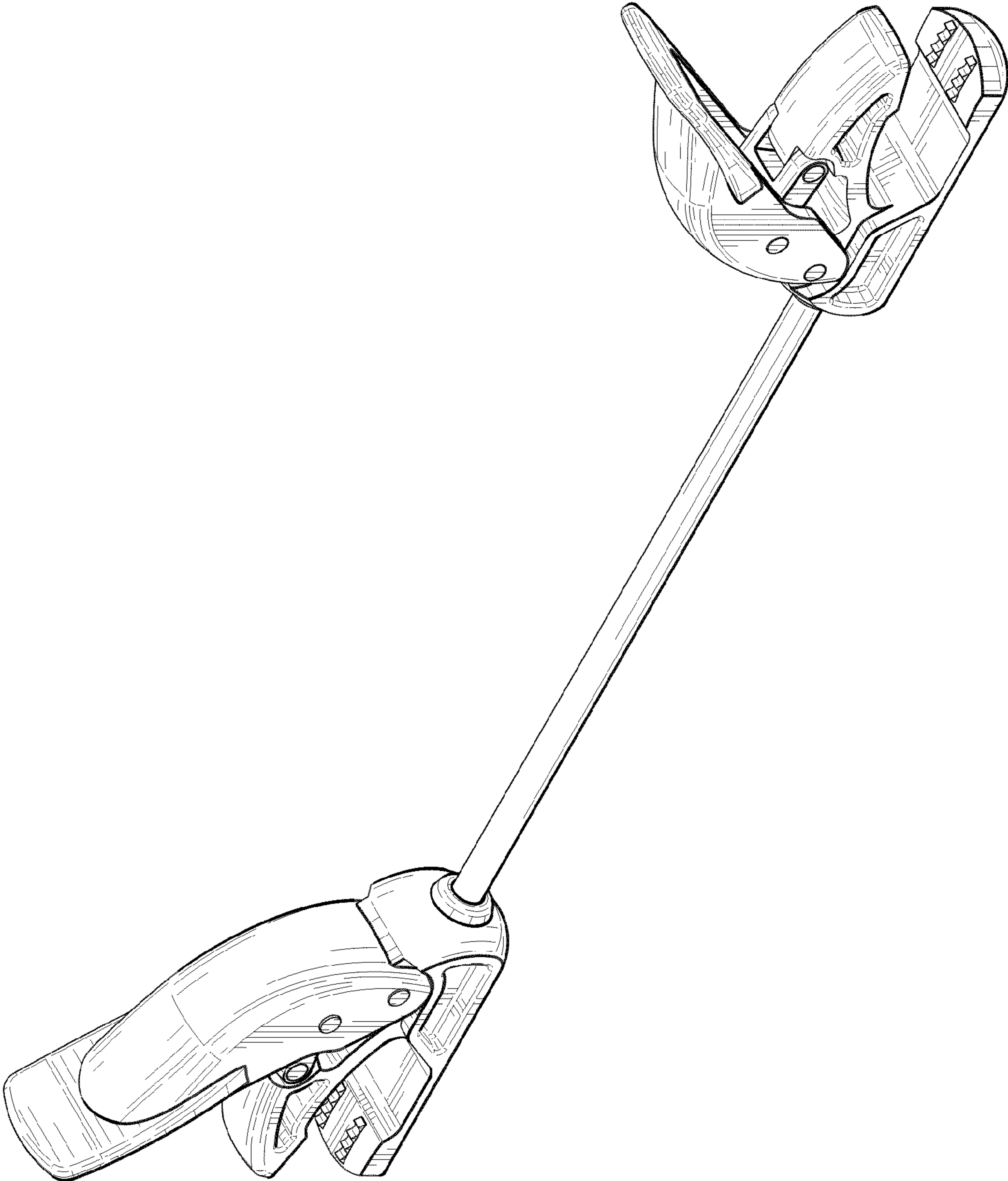


FIG. 1

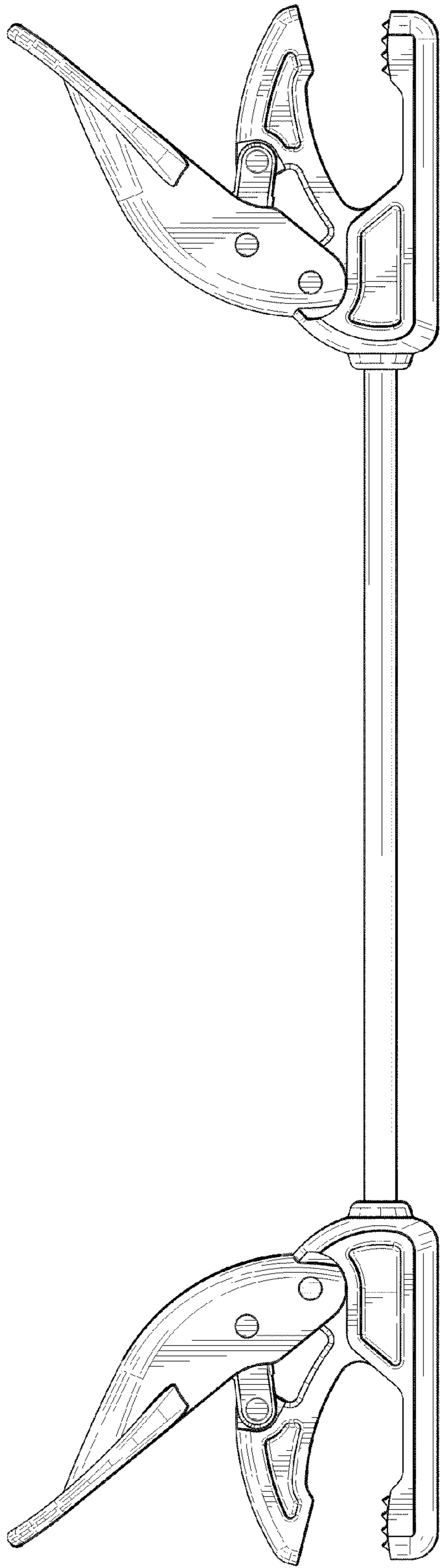


FIG. 2

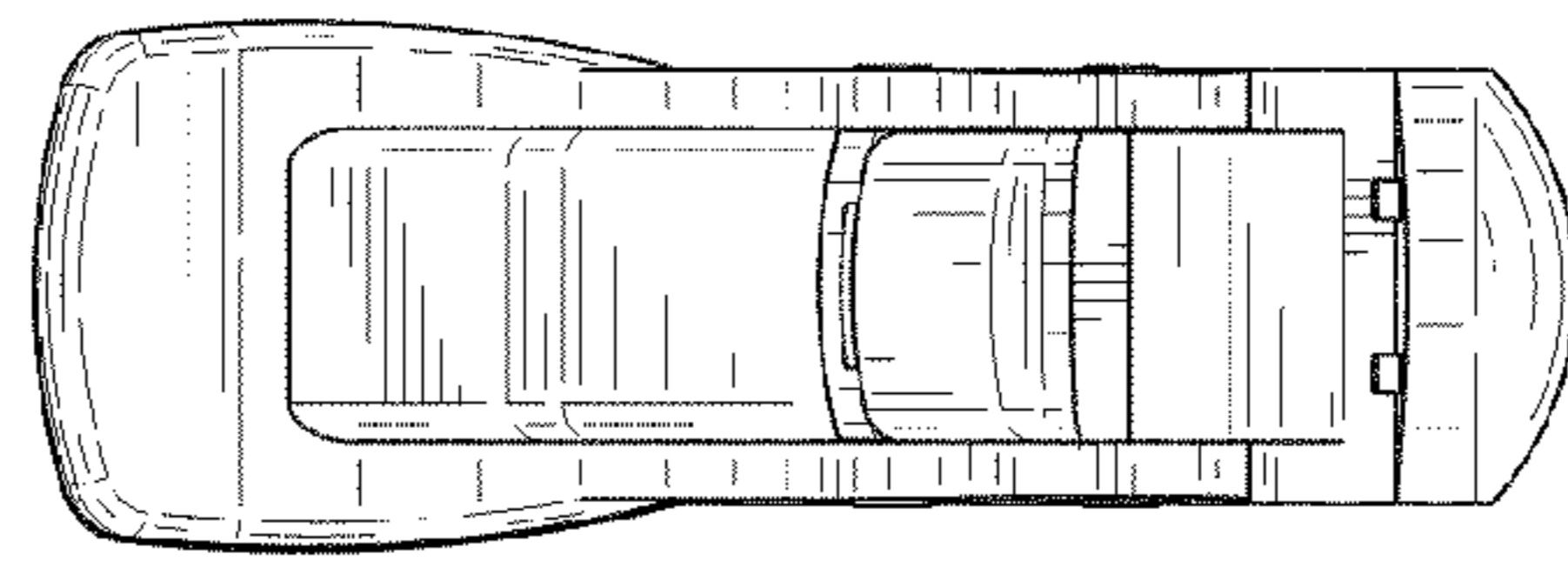


FIG. 3

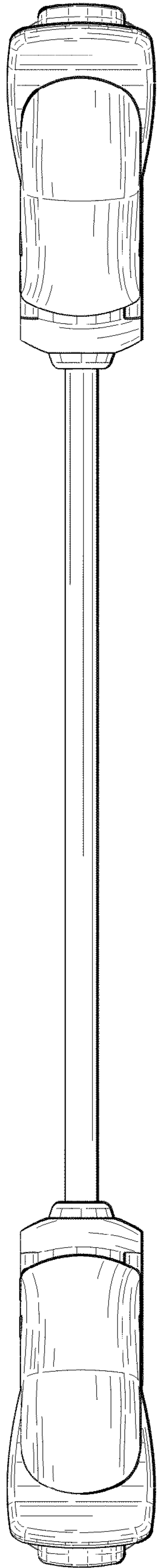


FIG. 4

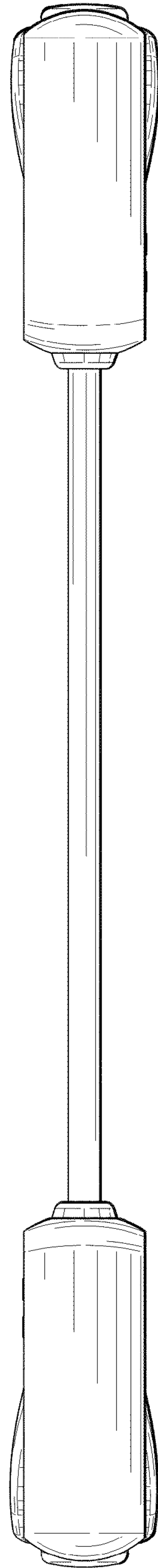


FIG. 5