



US00D650026S

(12) **United States Design Patent**  
**Leier et al.**

(10) **Patent No.:** **US D650,026 S**

(45) **Date of Patent:** **\*\* Dec. 6, 2011**

(54) **INVERSION TABLE STAND**

(75) Inventors: **Christopher Henry Leier**, Puyallup, WA (US); **Lopin Wang**, Taichung (TW)

(73) Assignees: **Inversion International, Ltd.**, New Providence Island (BS); **Expectations, LLC**, Puyallup, WA (US); **Beto Engineering and Marketing Co., Ltd.**, Taichung (TW)

(\*\*) Term: **14 Years**

(21) Appl. No.: **29/378,795**

(22) Filed: **Nov. 9, 2010**

(51) **LOC (9) Cl.** ..... **21-02**

(52) **U.S. Cl.** ..... **D21/691; D21/694**

(58) **Field of Classification Search** ..... D21/662, D21/664, 673, 675-676, 686-687, 690-691, D21/694; D6/552; 606/241-244; 482/36, 482/93-95, 98-101, 104, 140, 142-145  
See application file for complete search history.

(56) **References Cited**

U.S. PATENT DOCUMENTS

4,438,761	A *	3/1984	McGowen	.....	482/144
D306,193	S *	2/1990	Blackburn	.....	D21/664
D334,038	S *	3/1993	Case	.....	D21/664
6,030,325	A *	2/2000	Ottoson et al.	.....	482/144
6,149,560	A *	11/2000	Kim	.....	482/145
7,066,868	B2 *	6/2006	Van Den Heever	.....	482/142
D528,614	S *	9/2006	McVay et al.	.....	D21/687

7,118,518	B1 *	10/2006	Teeter	.....	482/144
7,125,372	B1 *	10/2006	Teeter et al.	.....	482/144
7,361,128	B2 *	4/2008	Chen	.....	482/144
D574,448	S *	8/2008	Webber et al.	.....	D21/673
7,546,809	B2 *	6/2009	Chen	.....	108/6
7,625,326	B2 *	12/2009	Teeter et al.	.....	482/144
7,625,327	B1 *	12/2009	Teeter et al.	.....	482/144
D617,855	S *	6/2010	Leier	.....	D21/691
7,857,741	B1 *	12/2010	Hsiung	.....	482/145

\* cited by examiner

*Primary Examiner* — Susan E Krakower

(74) *Attorney, Agent, or Firm* — Leong C. Lei

(57) **CLAIM**

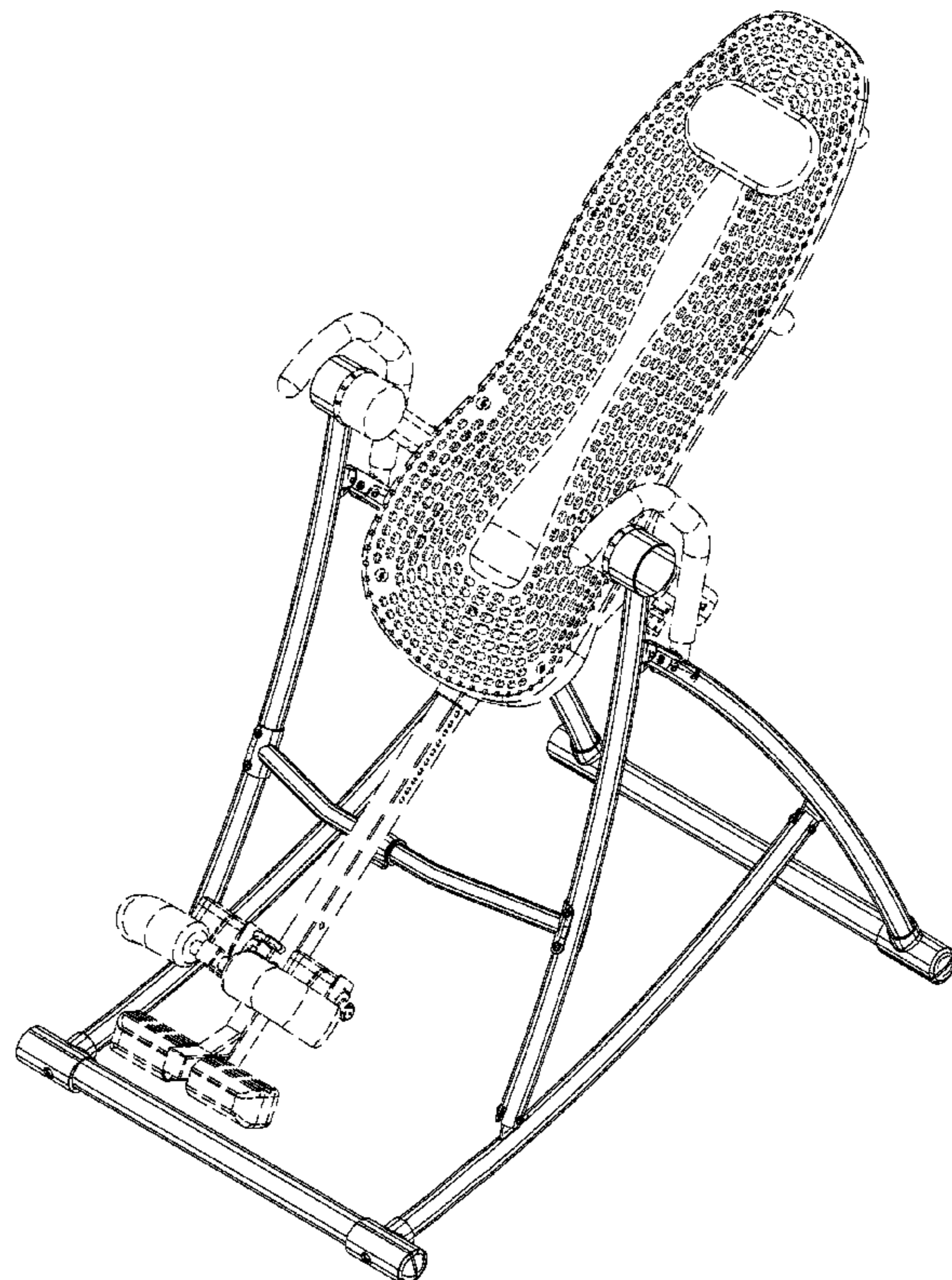
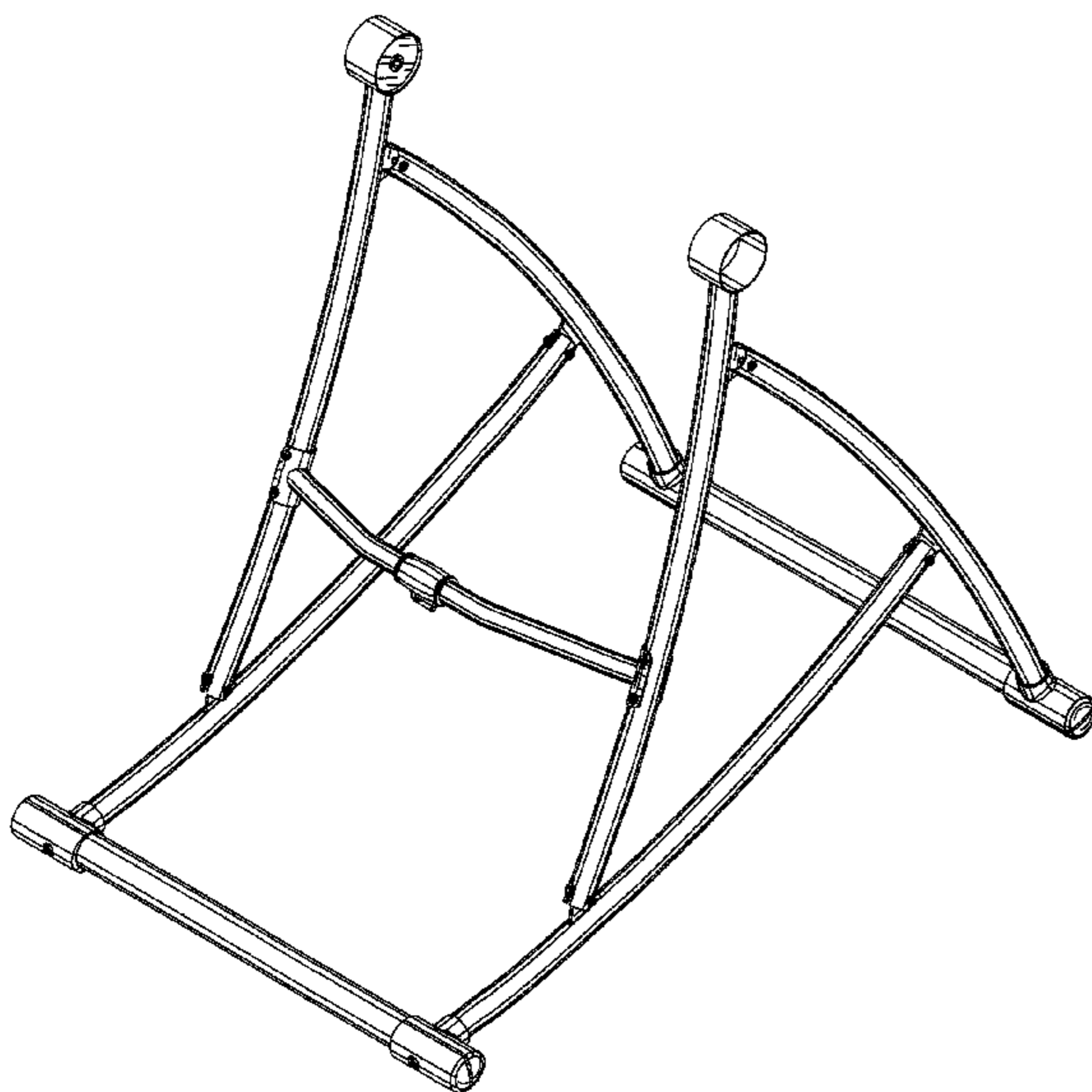
The ornamental design for an inversion table stand, as shown and described.

**DESCRIPTION**

FIG. 1 is a perspective view of an inversion table stand showing my new design; FIG. 2 is a front elevational view thereof; FIG. 3 is a rear elevational view thereof; FIG. 4 is a left side view thereof; FIG. 5 is a right side view thereof; FIG. 6 is a top plan view thereof; FIG. 7 is a bottom plan view thereof; and, FIG. 8 is another perspective view thereof, with the inversion table engaged.

The broken lines showing an inversion table illustrates environmental structure and forms no part of the claimed design.

**1 Claim, 5 Drawing Sheets**



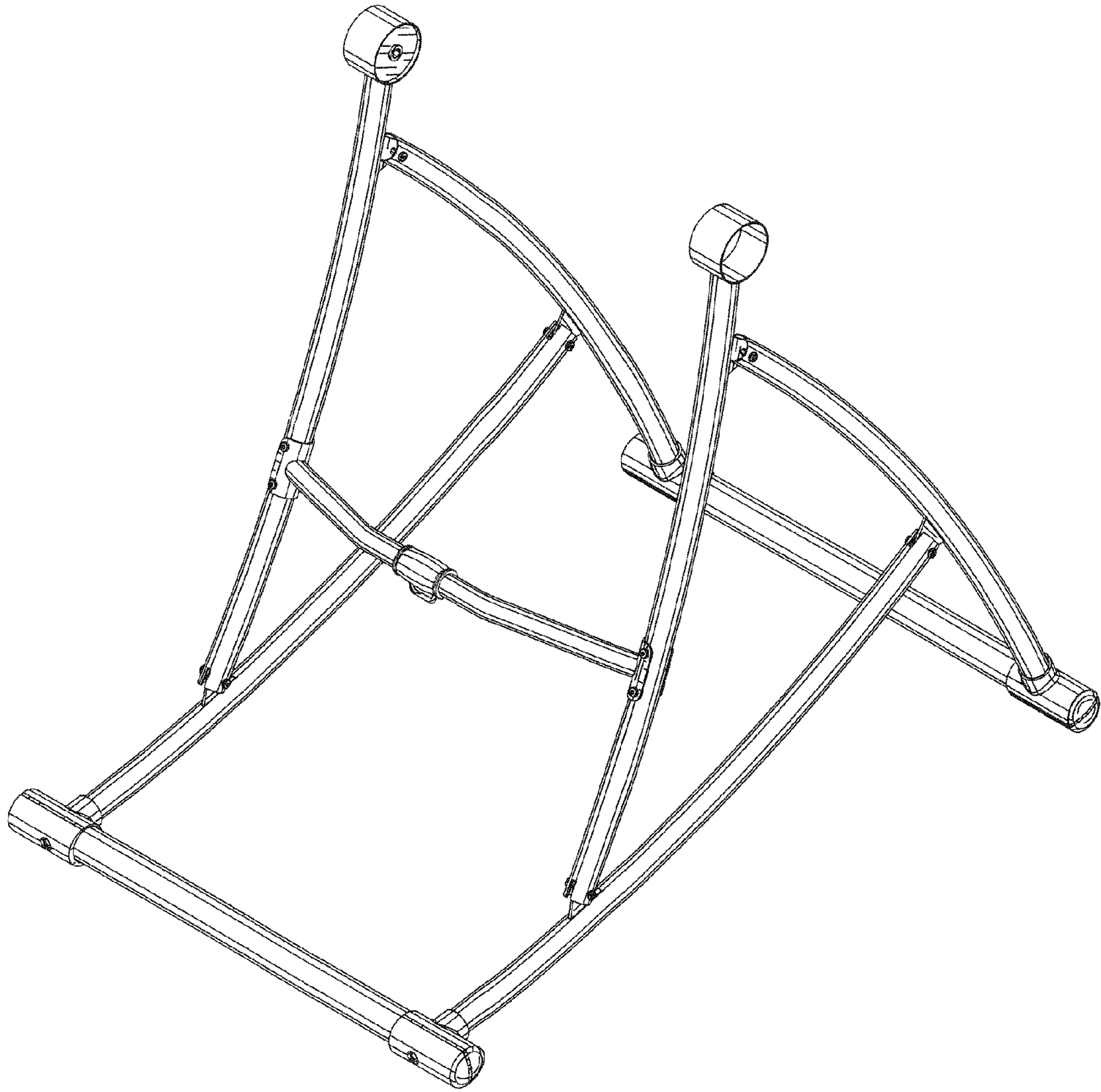


FIG. 1



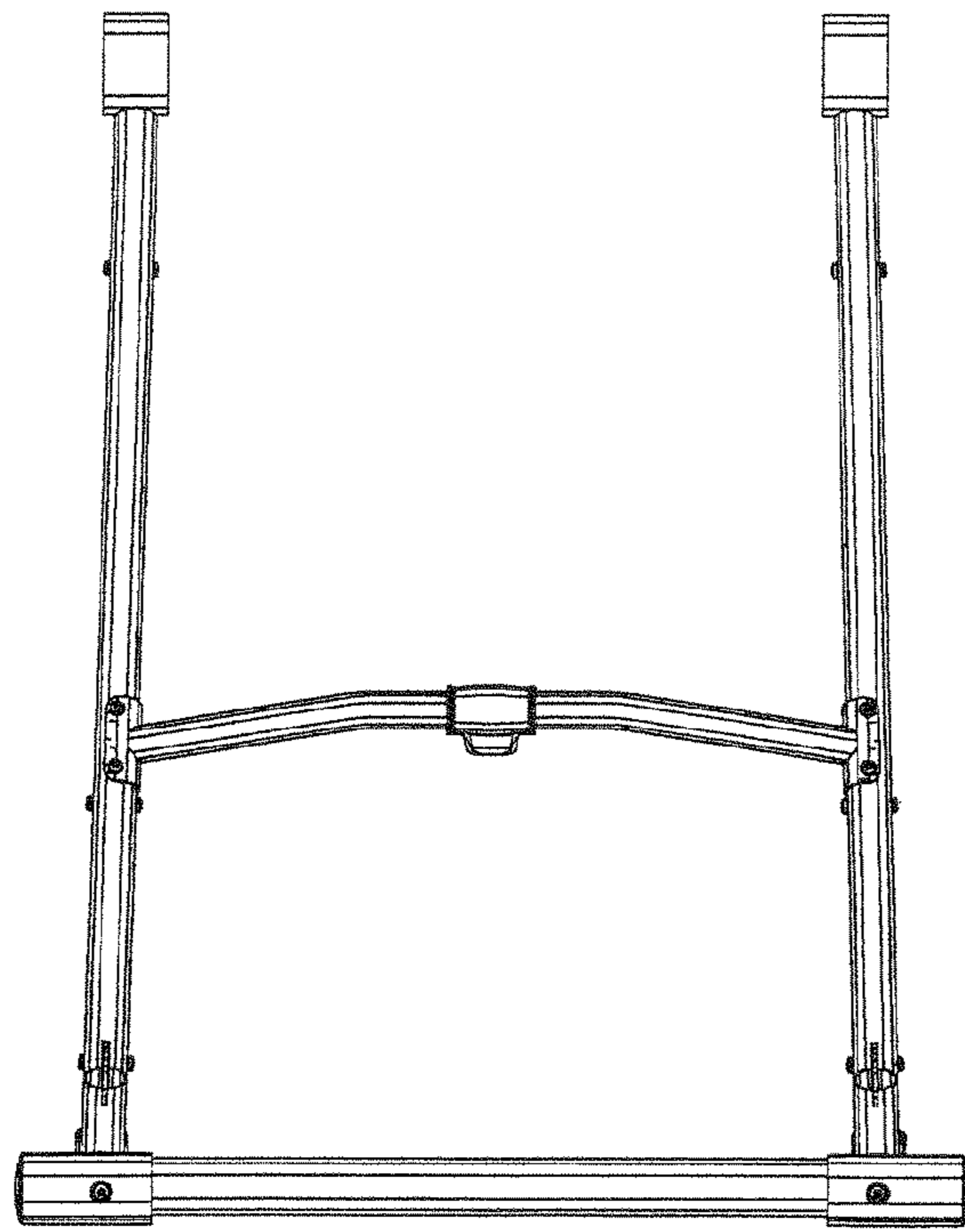


FIG. 2

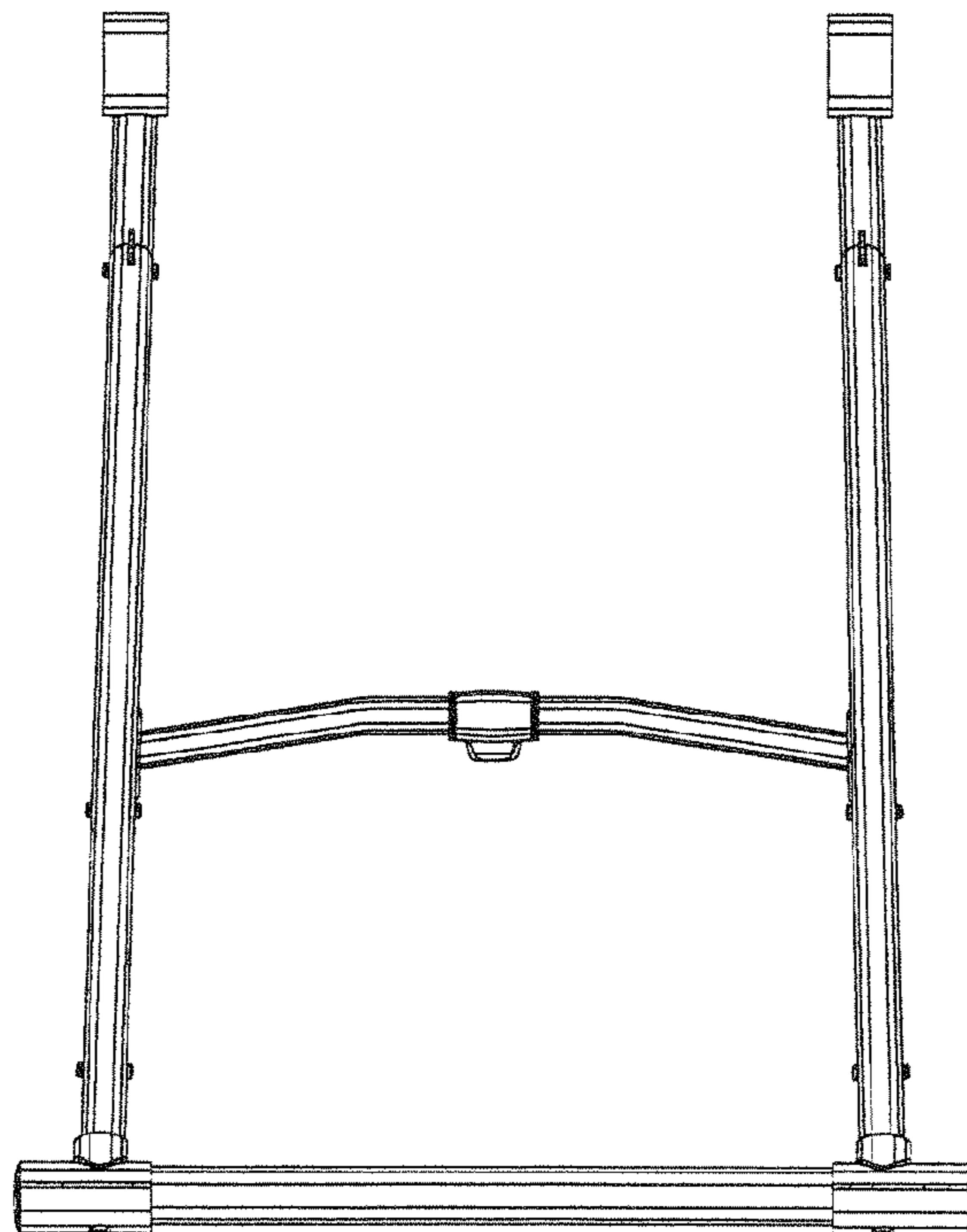


FIG. 3

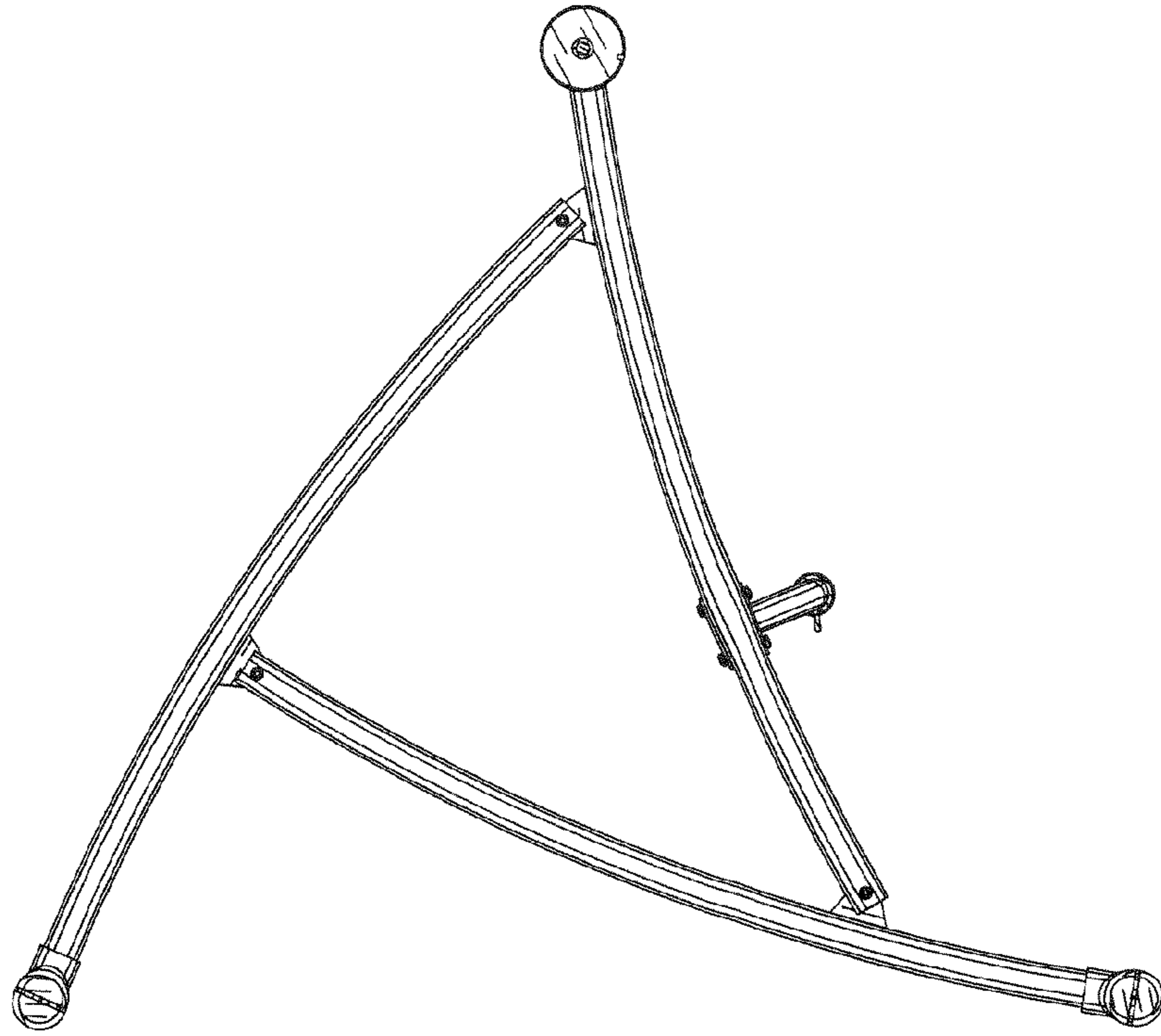


FIG. 4

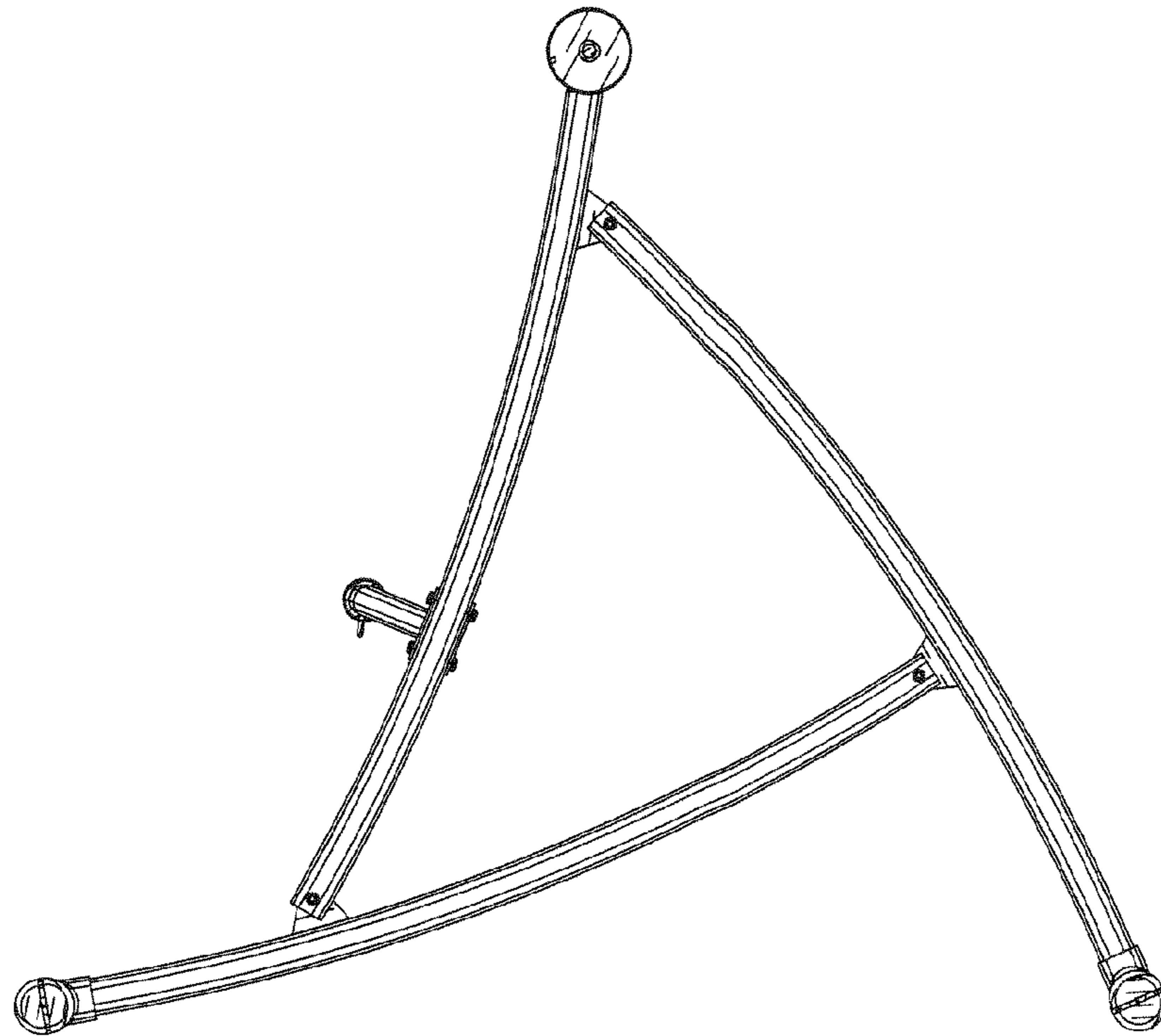


FIG. 5

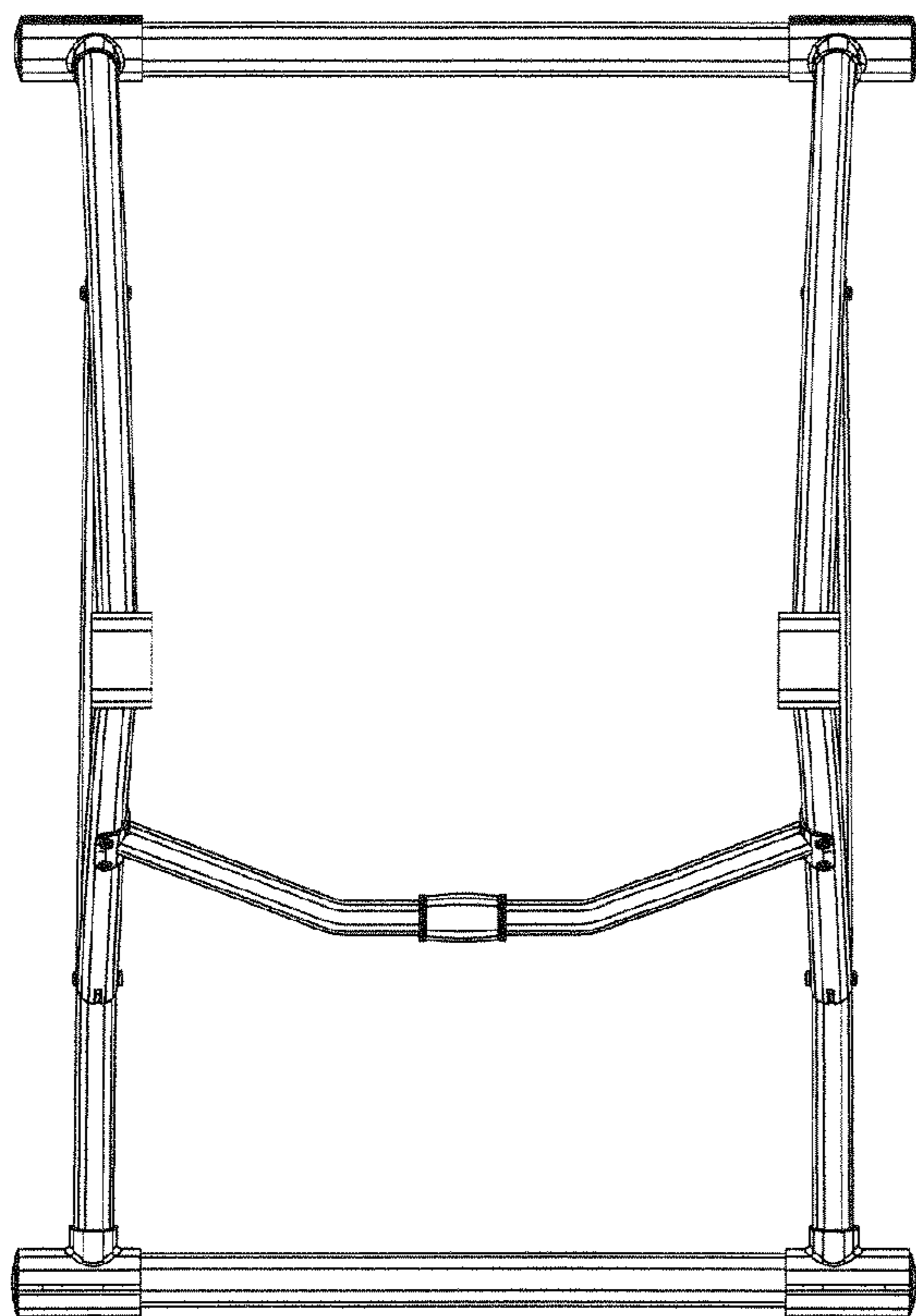


FIG. 6

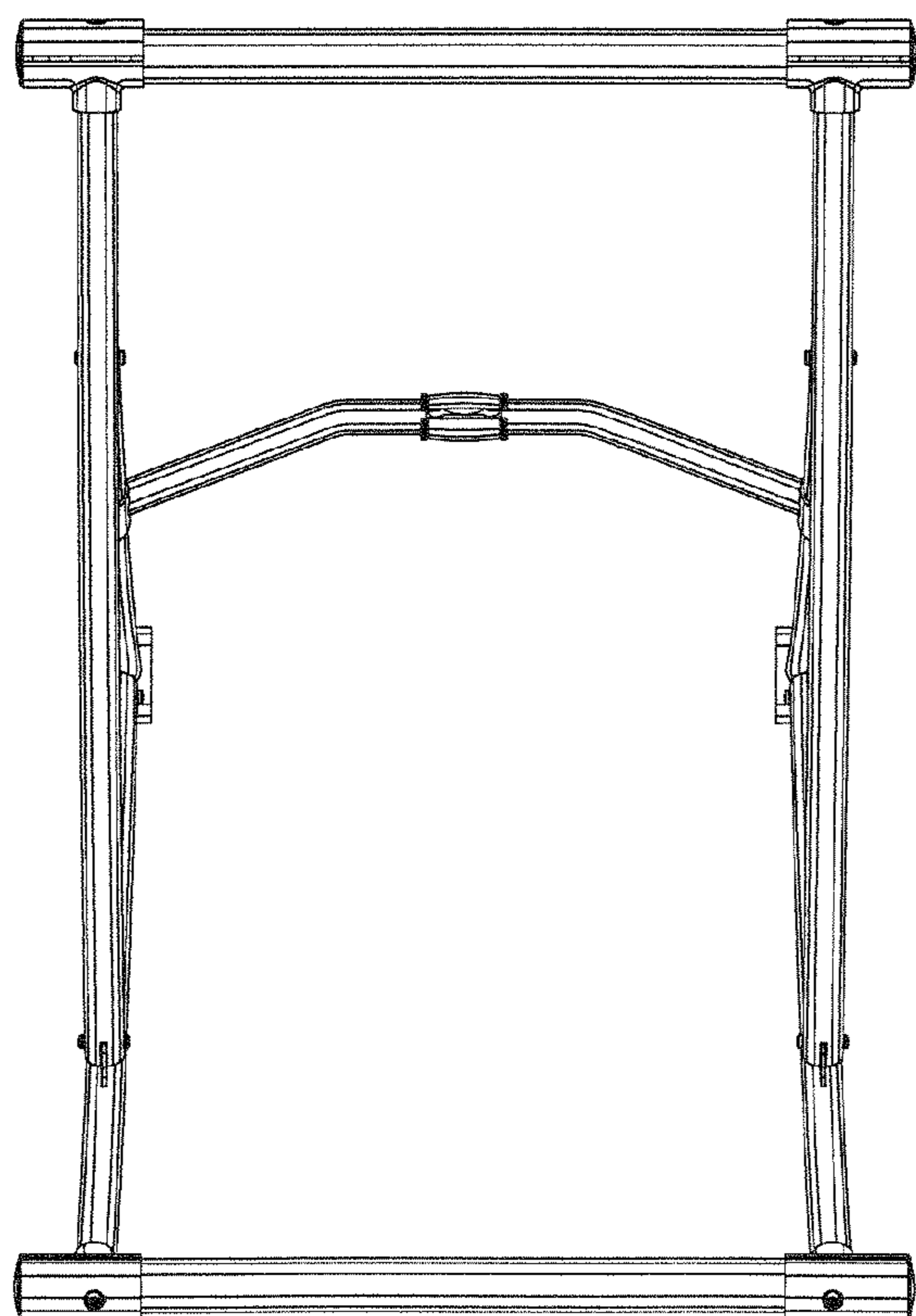


FIG. 7



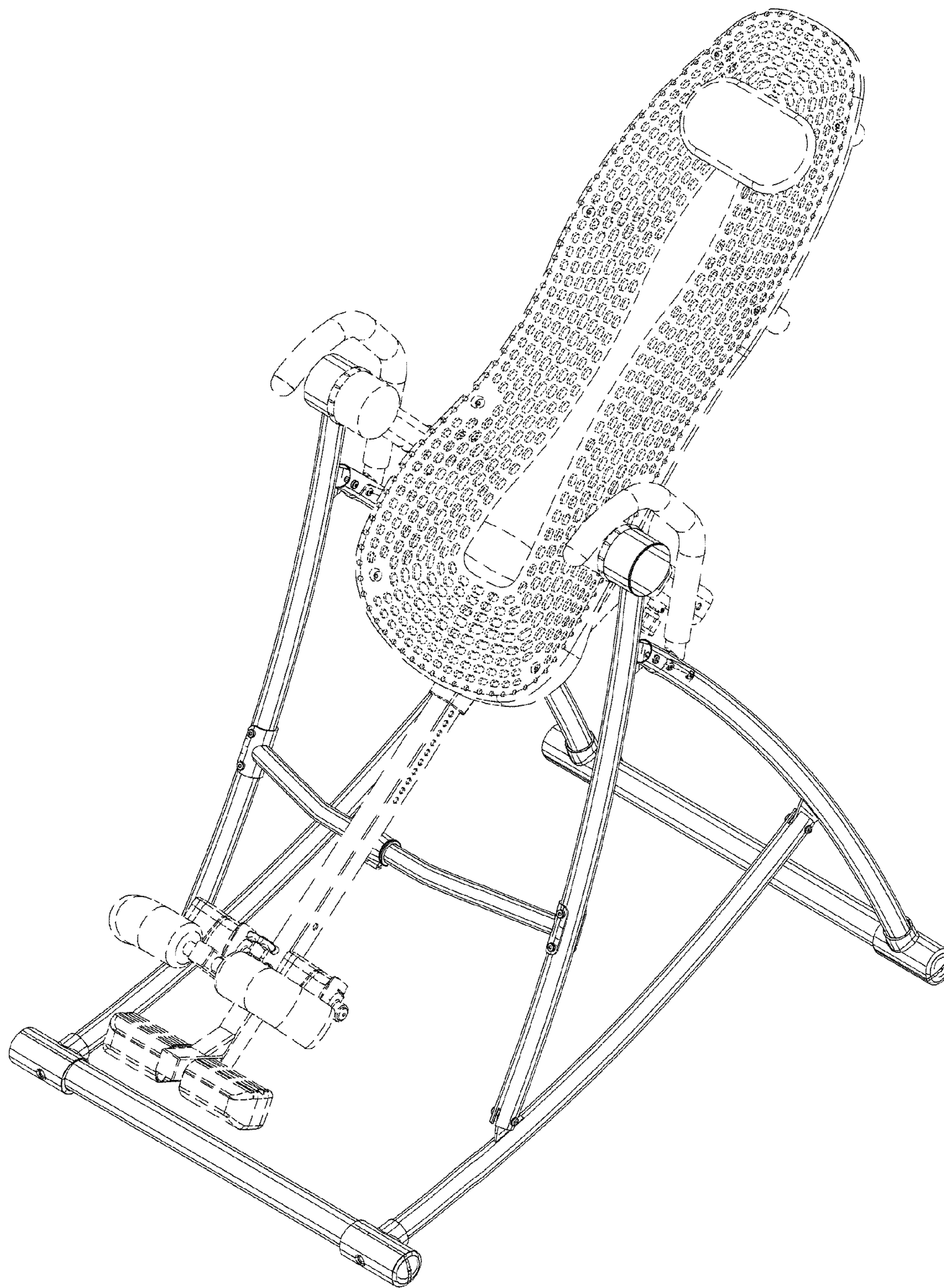


FIG. 8