



US00D650024S

(12) **United States Design Patent**
Ivanov

(10) **Patent No.:** **US D650,024 S**

(45) **Date of Patent:** **** Dec. 6, 2011**

(54) **EXERCISE WALL**

(75) Inventor: **Ivan R. Ivanov**, Boise, ID (US)

(73) Assignee: **Suples Ltd., Inc.**

(**) Term: **14 Years**

(21) Appl. No.: **29/376,013**

(22) Filed: **Sep. 30, 2010**

(51) **LOC (9) Cl.** **21-02**

(52) **U.S. Cl.** **D21/691; D21/662**

(58) **Field of Classification Search** D21/662,
D21/686, 691, 694, 797, 826; 482/23, 35,
482/36, 38, 39, 40, 41, 52, 53, 55, 92, 97,
482/104, 142, 143; 182/20, 27, 78, 95, 163,
182/198

See application file for complete search history.

(56) **References Cited**

U.S. PATENT DOCUMENTS

513,012	A *	1/1894	Hall	182/27
2,548,843	A *	4/1951	Moeller	182/197
2,929,627	A *	3/1960	Scanlon	482/36
D197,076	S *	12/1963	Spackman, Jr. et al.	D21/691
D200,322	S *	2/1965	Spackman, Jr. et al.	D21/691
3,472,509	A *	10/1969	Flynn	482/36
3,490,557	A *	1/1970	Auciello et al.	182/78
3,735,979	A *	5/1973	Levenberg	482/143
3,874,657	A *	4/1975	Niebojewski	482/104
3,918,710	A *	11/1975	Niebojewski	482/97
4,252,313	A *	2/1981	Skalka	482/36
4,458,894	A *	7/1984	Dudley	482/40
4,470,408	A *	9/1984	Gordon	482/144
4,476,957	A *	10/1984	Ory	182/21
D296,808	S *	7/1988	Urbanc	D21/676
4,759,539	A *	7/1988	Nieppola	482/36
4,848,737	A *	7/1989	Ehrenfield	482/52
4,875,673	A *	10/1989	Erickson	482/55
5,046,722	A *	9/1991	Antoon	482/39
5,112,043	A *	5/1992	Gilfillian, Jr.	482/53
6,626,801	B2 *	9/2003	Marques	482/23

7,699,756	B2 *	4/2010	Piane, Jr.	482/38
2004/0031646	A1 *	2/2004	Huang	182/198
2007/0032357	A1 *	2/2007	Piane, Jr.	482/142

* cited by examiner

Primary Examiner — Susan E Krakower

(74) *Attorney, Agent, or Firm* — McAndrews, Held & Malloy, Ltd.

(57) **CLAIM**

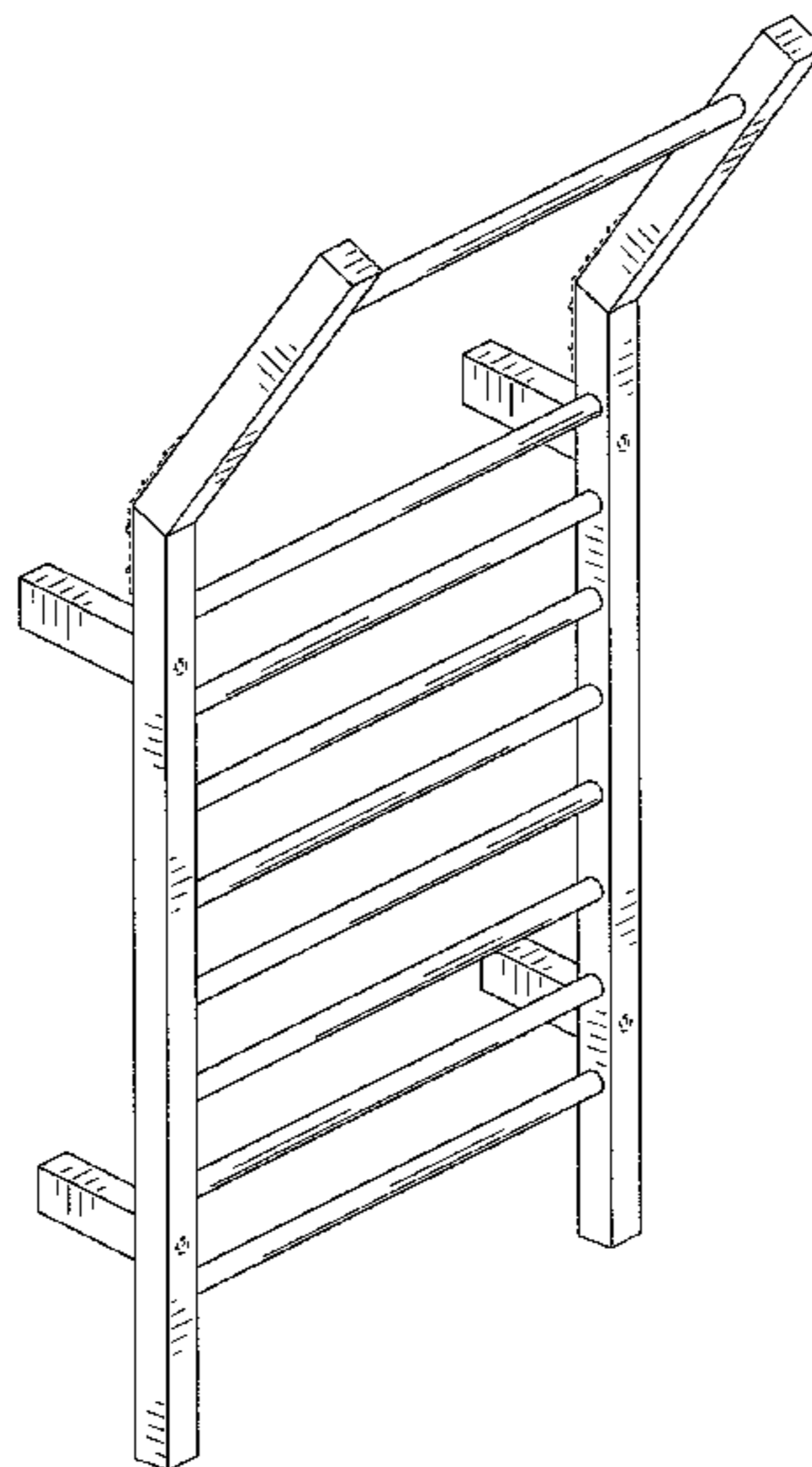
The ornamental design for an exercise wall, as shown and described.

DESCRIPTION

FIG. 1 is a perspective view of a first embodiment of an exercise wall showing our new design;
 FIG. 2 is a front view thereof;
 FIG. 3 is a rear view thereof;
 FIG. 4 is a left view thereof;
 FIG. 5 is a top view thereof;
 FIG. 6 is a bottom view thereof;
 FIG. 7 is a perspective view of a second embodiment of an exercise wall showing our new design;
 FIG. 8 is a front view thereof;
 FIG. 9 is a rear view thereof;
 FIG. 10 is a left view thereof;
 FIG. 11 is a top view thereof;
 FIG. 12 is a bottom view thereof;
 FIG. 13 is a perspective view of a third embodiment of an exercise wall showing our new design;
 FIG. 14 is a front view thereof;
 FIG. 15 is a rear view thereof;
 FIG. 16 is a left view thereof;
 FIG. 17 is a top view thereof; and,
 FIG. 18 is a bottom view thereof.

The portions shown in dotted lines depict environmental structure that forms no part of the claimed design.

1 Claim, 15 Drawing Sheets



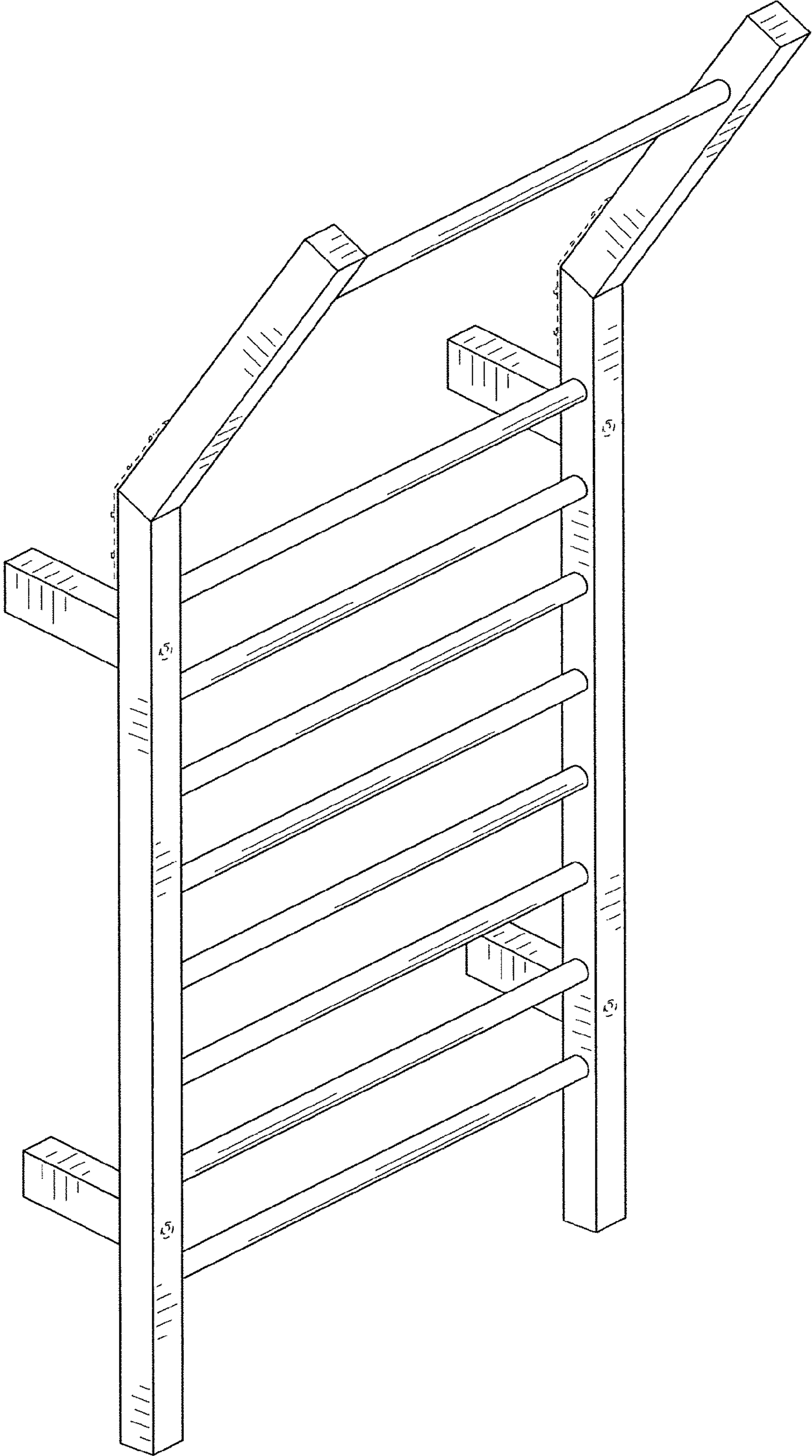


FIG. 1

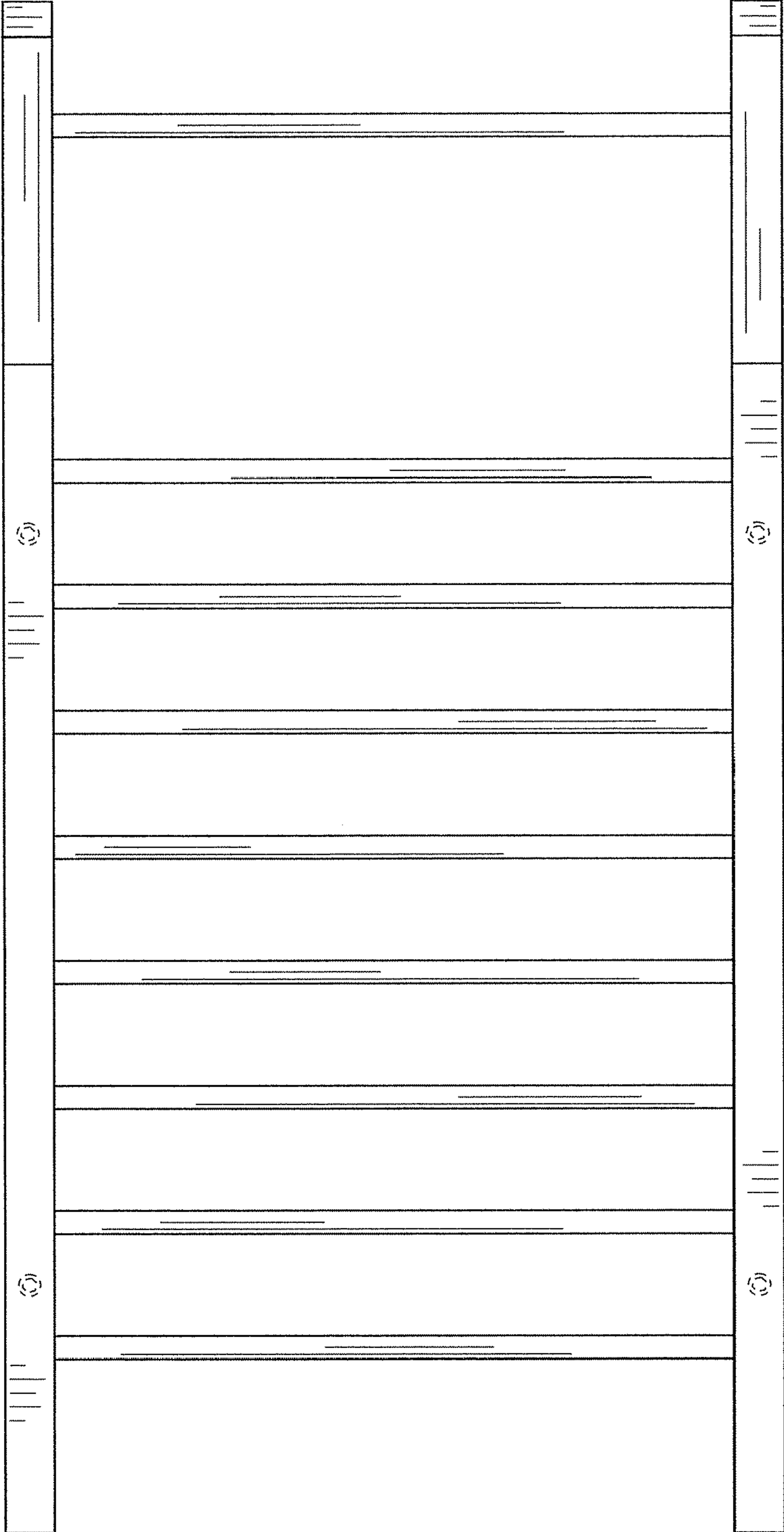


FIG. 2

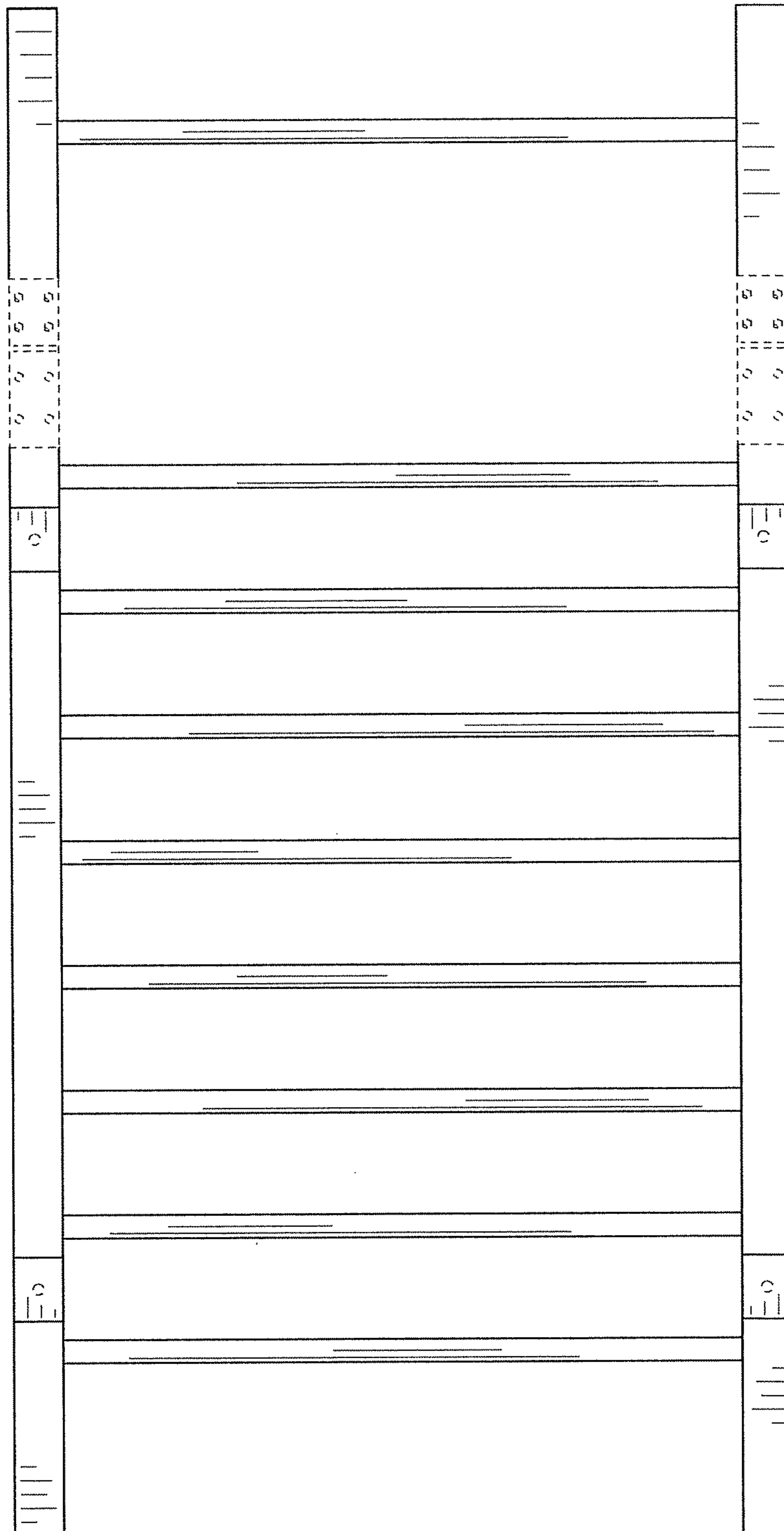


FIG. 3

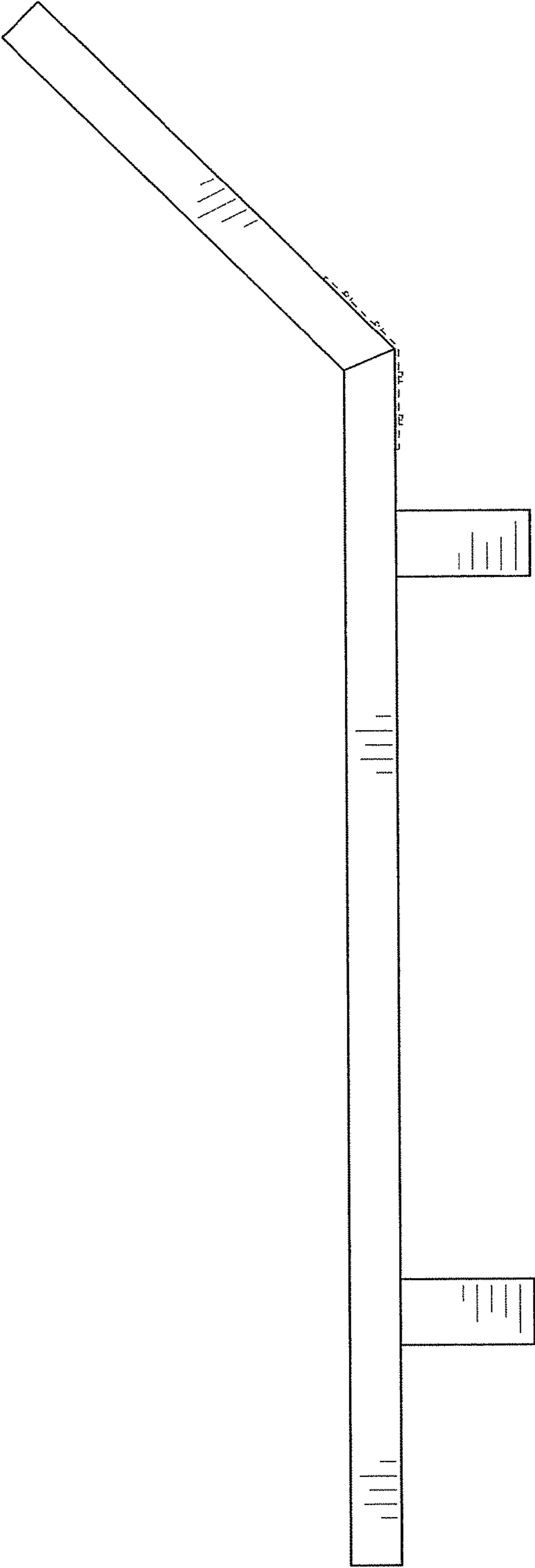


FIG. 4

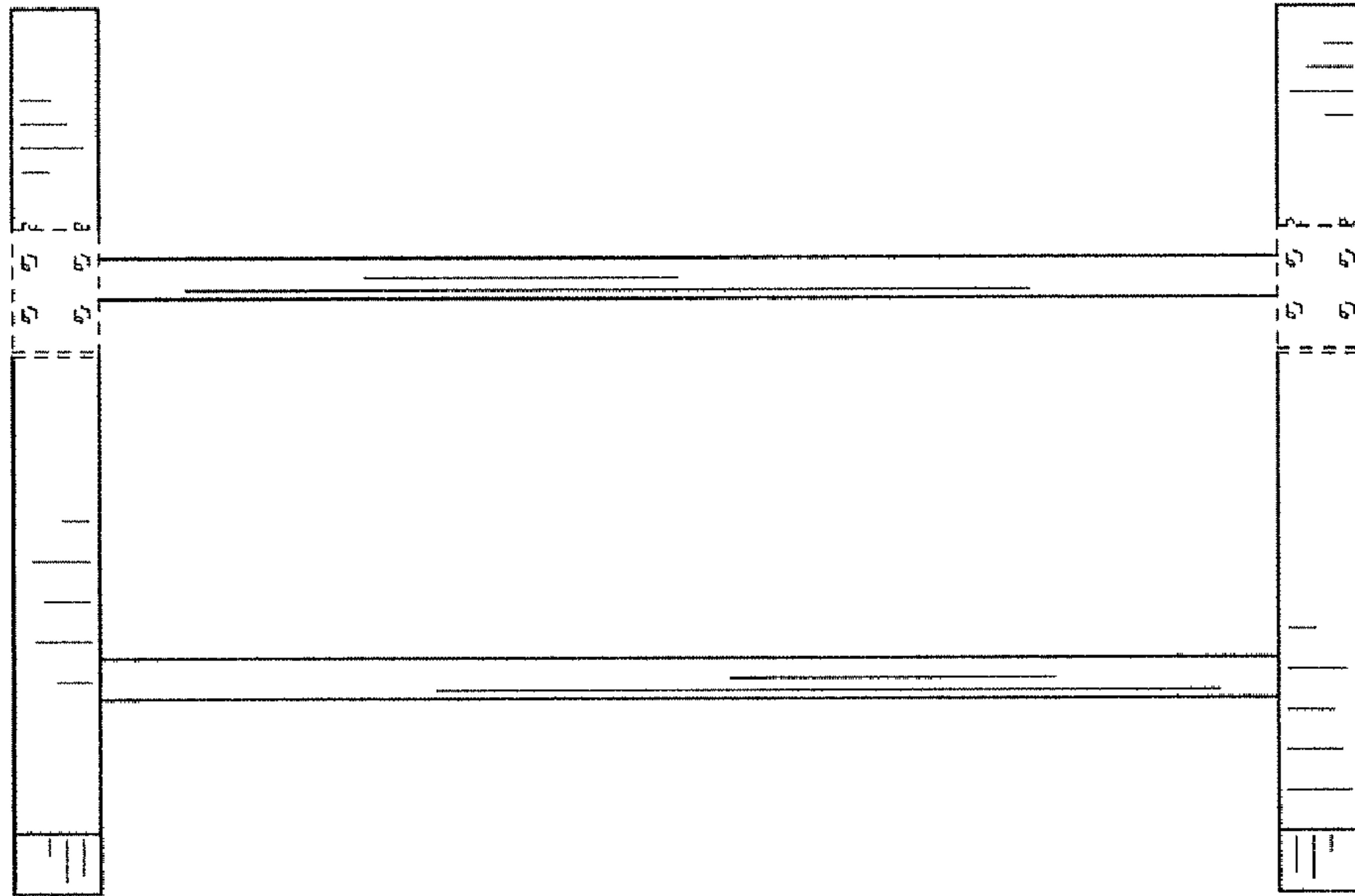


FIG. 5

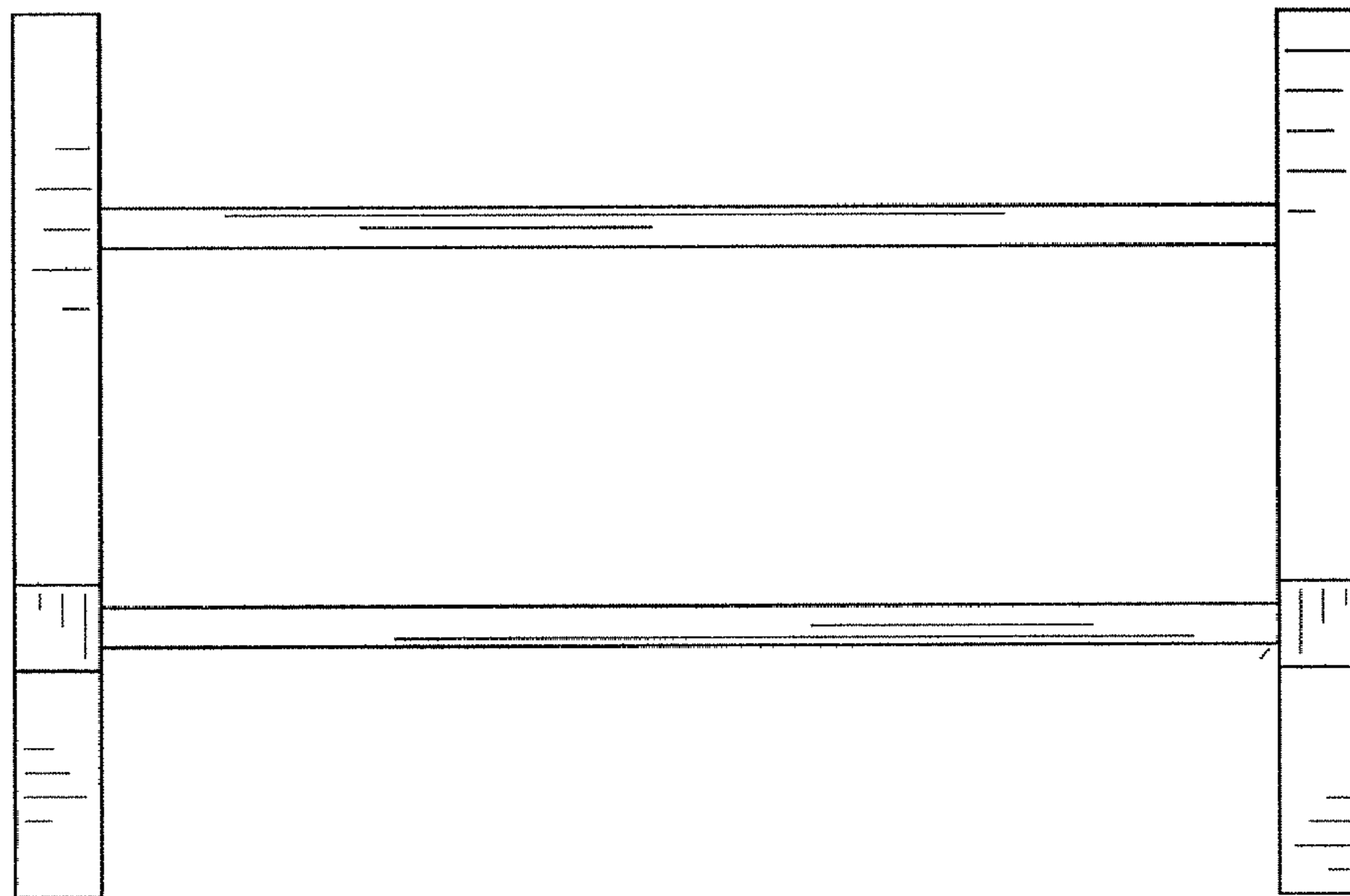


FIG. 6

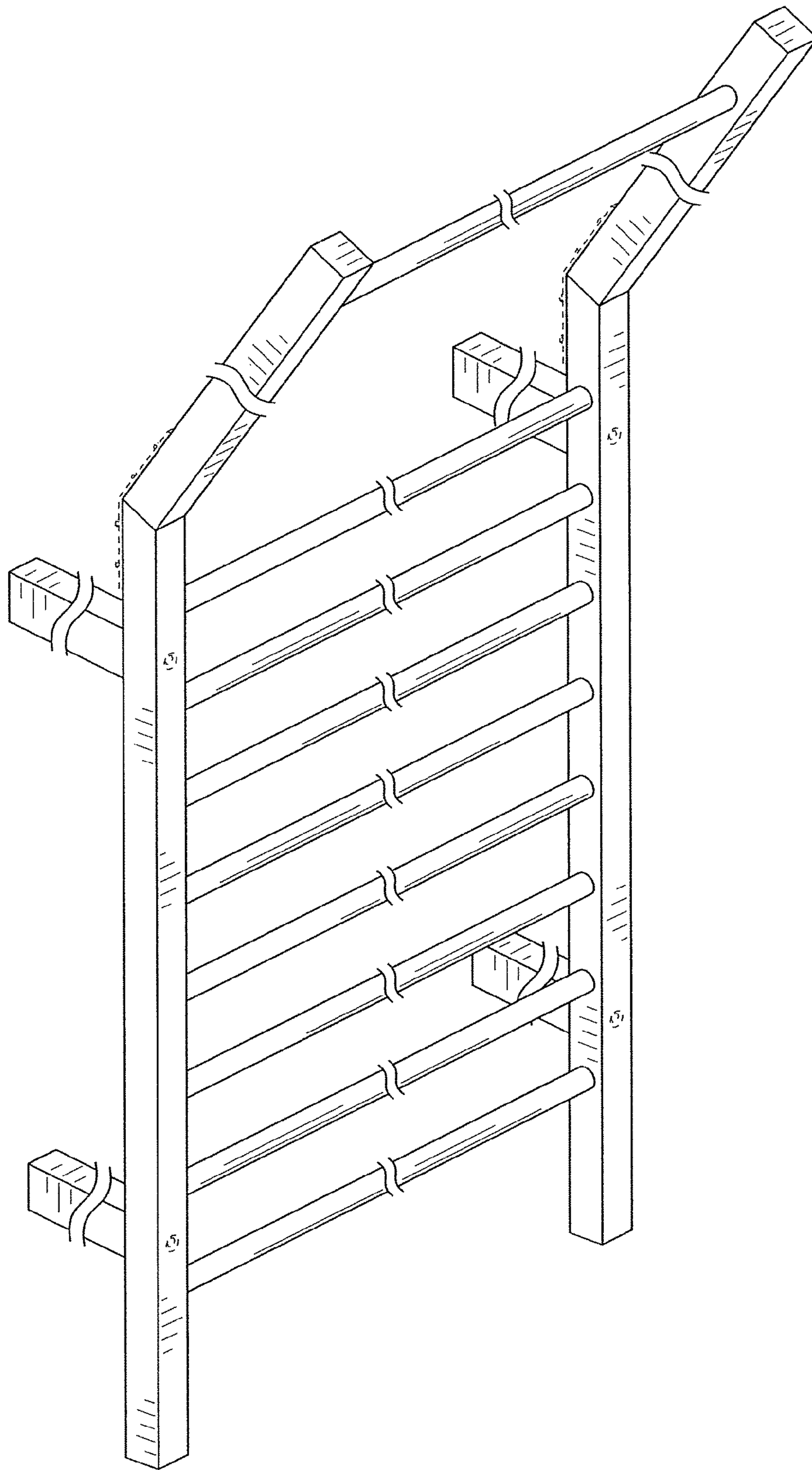


FIG. 7

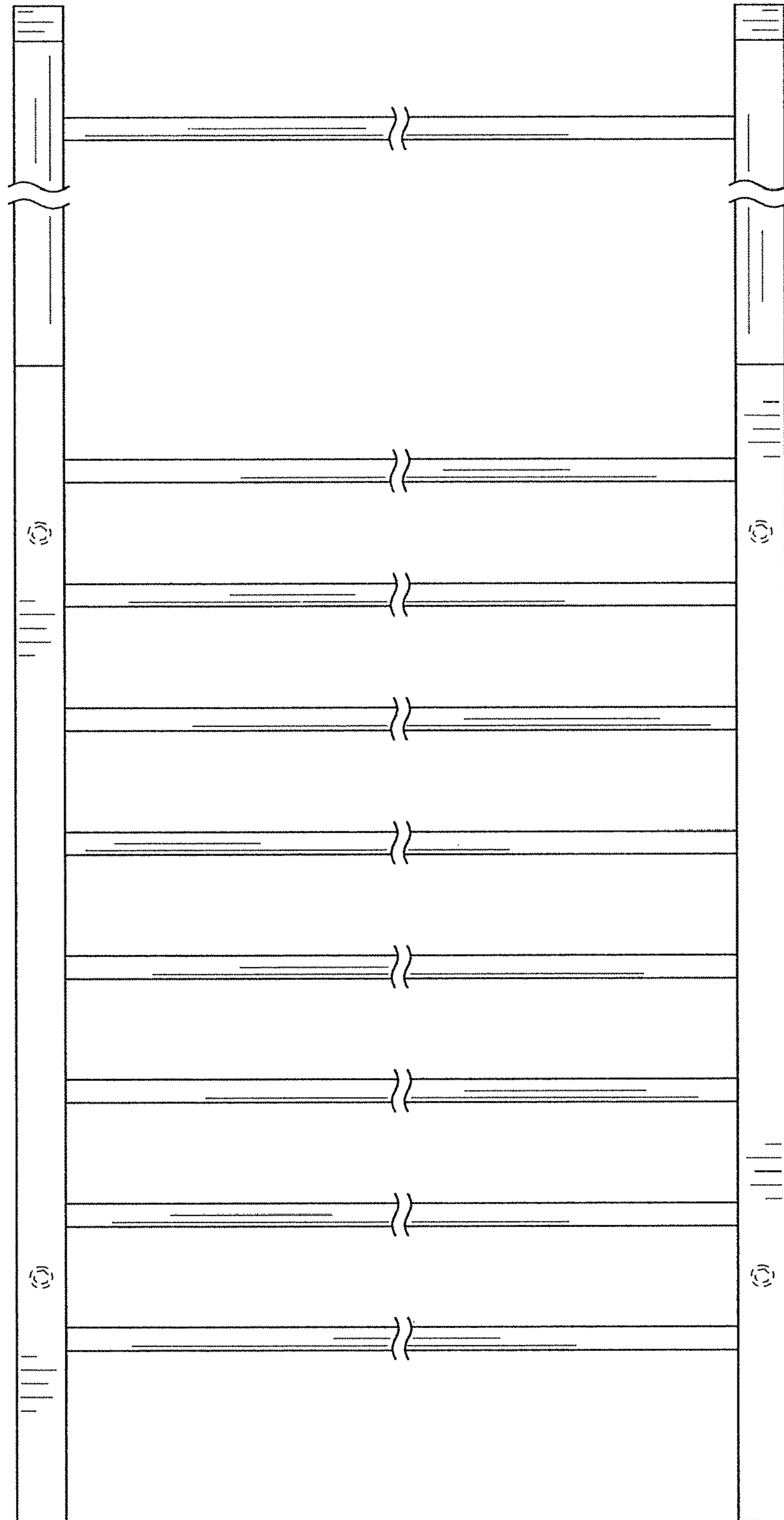


FIG. 8

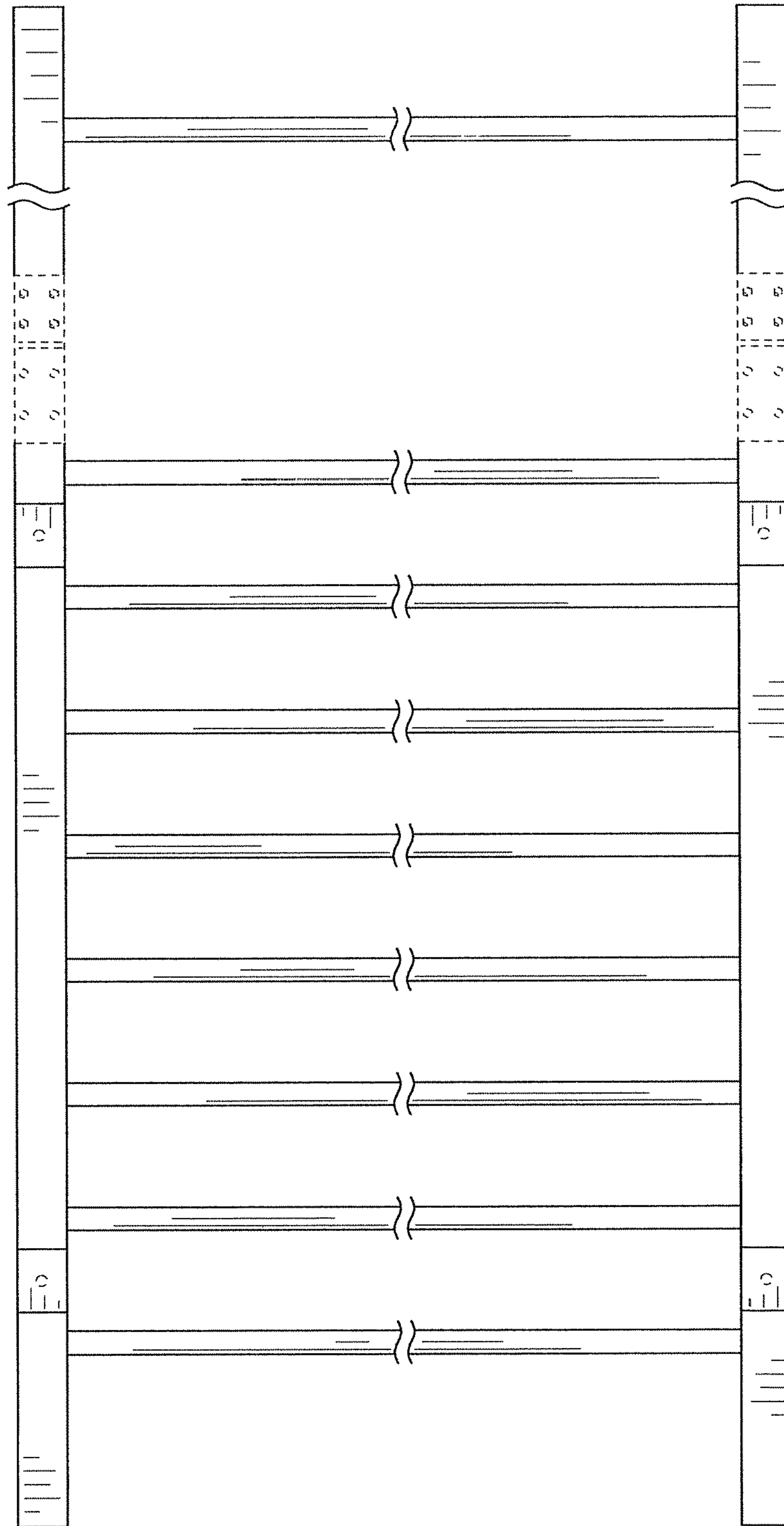


FIG. 9

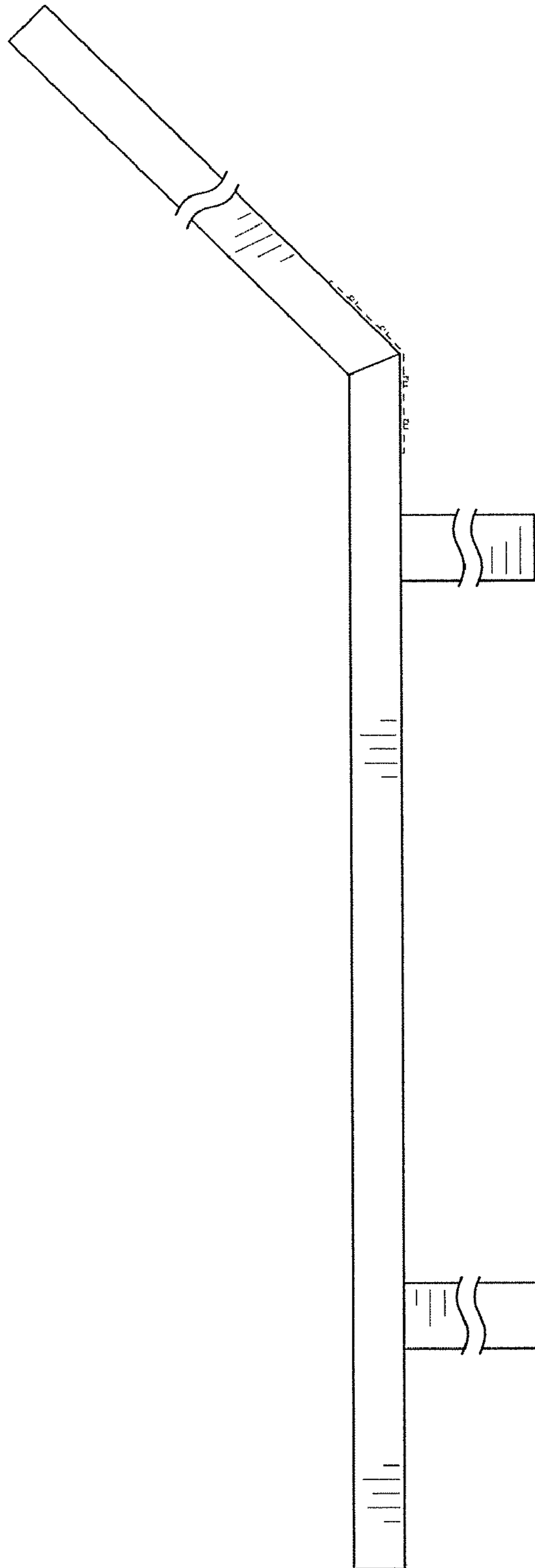


FIG. 10

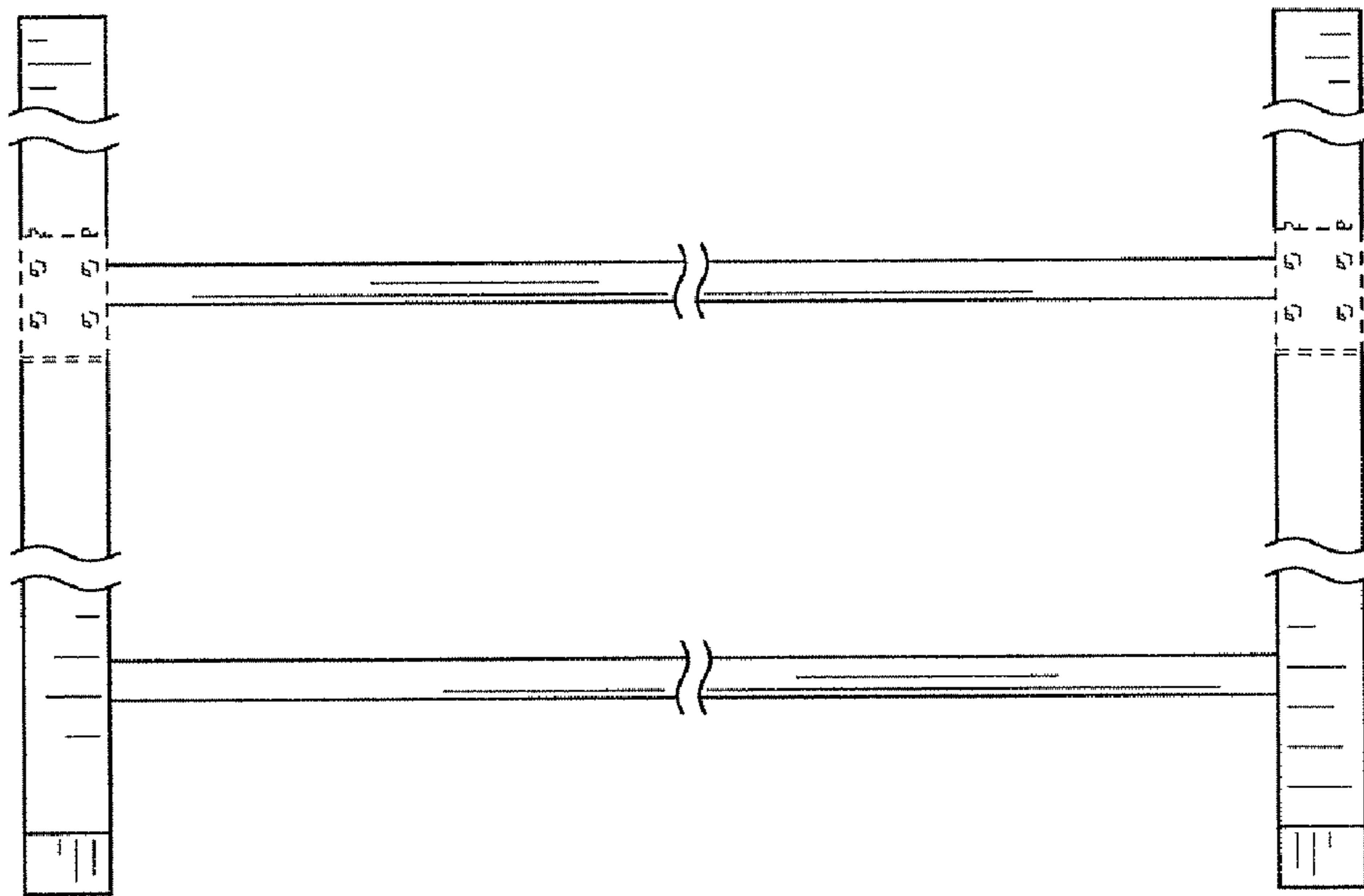


FIG. 11

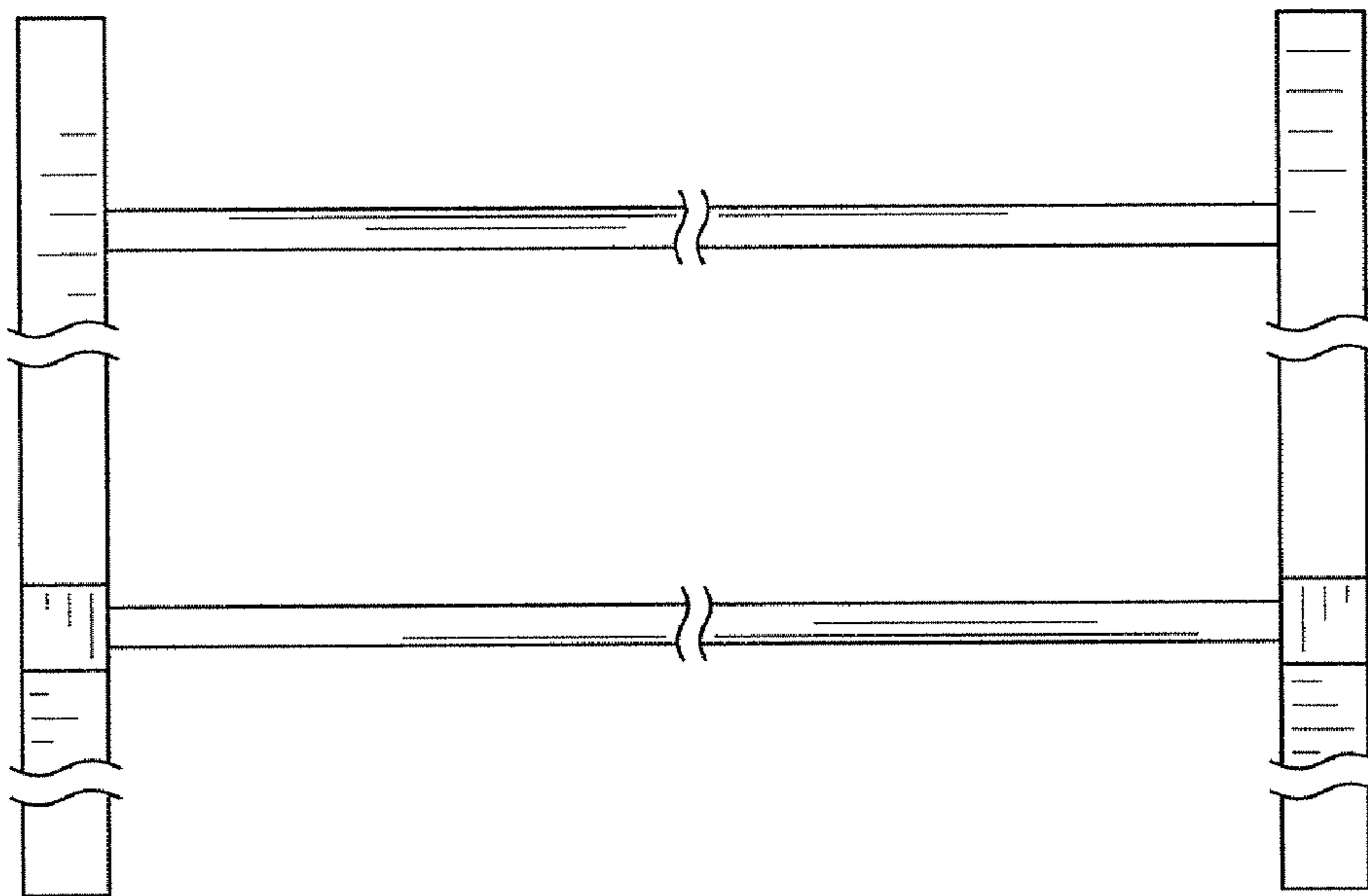


FIG. 12

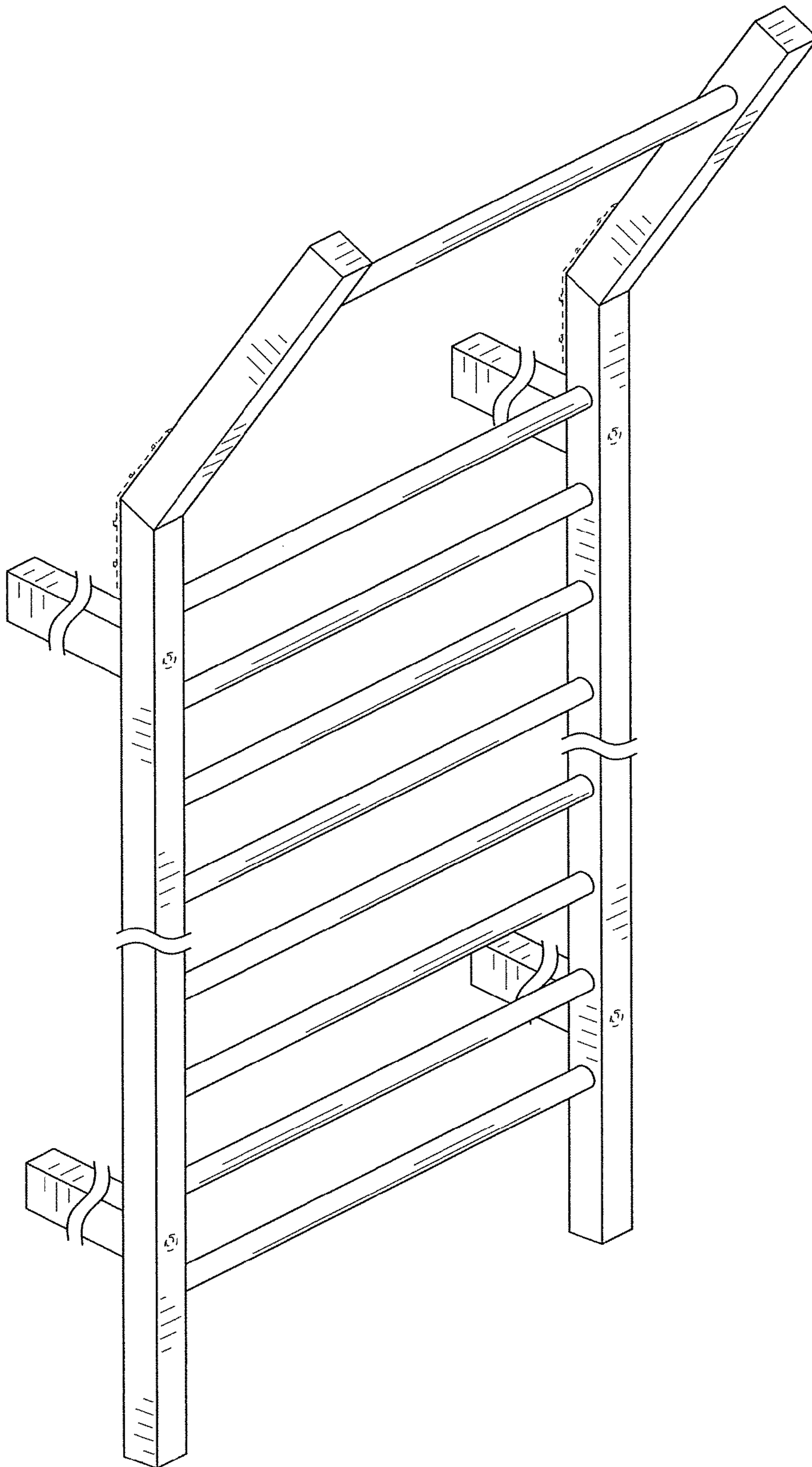


FIG. 13

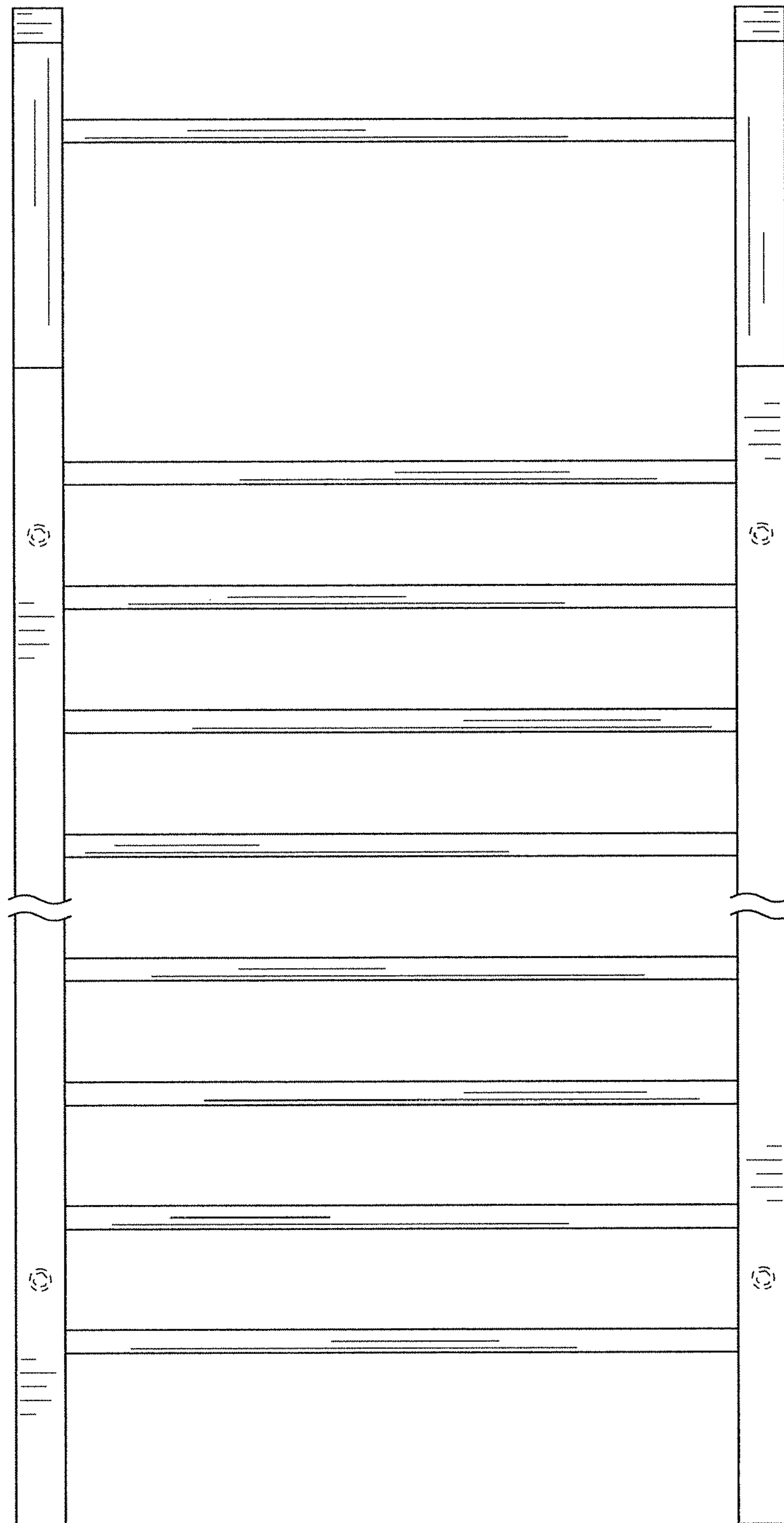


FIG. 14

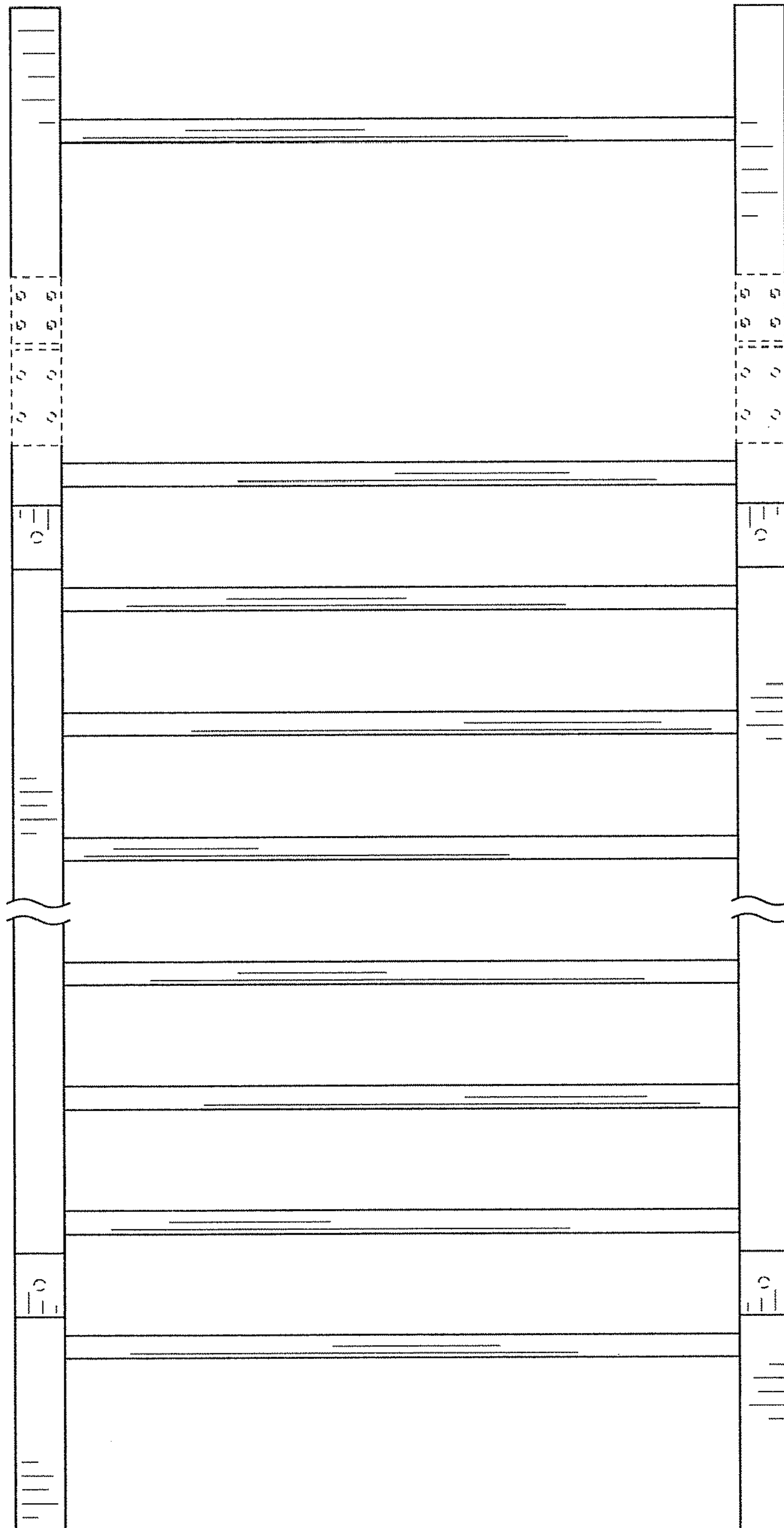


FIG. 15

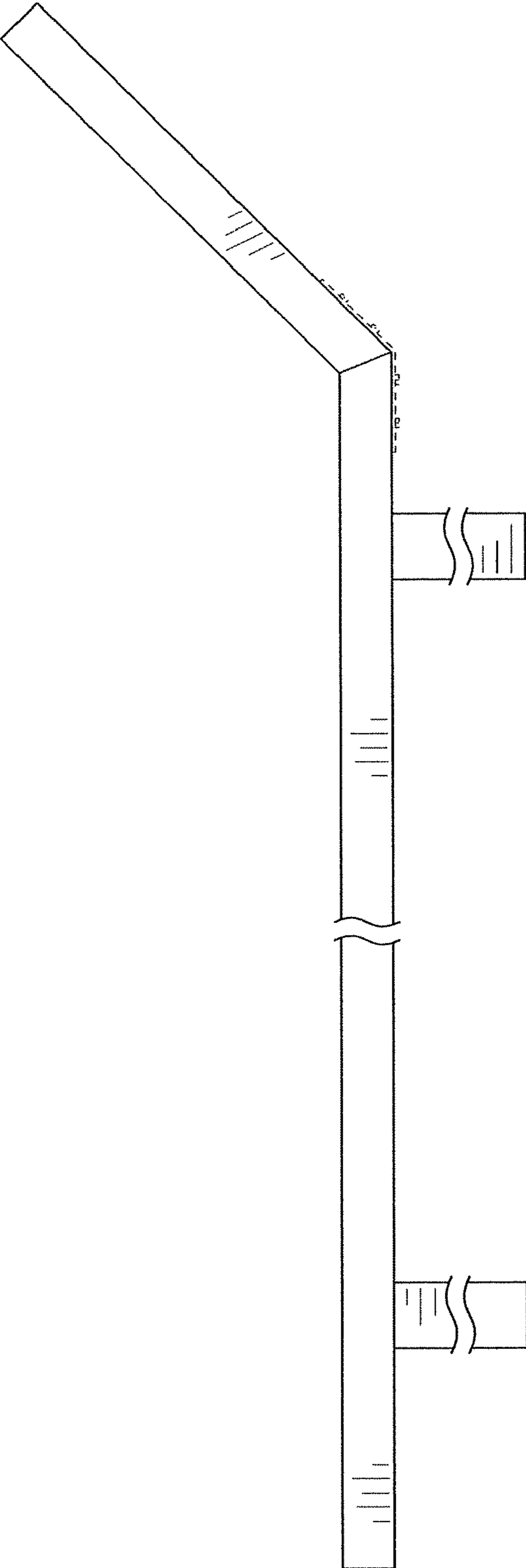


FIG. 16

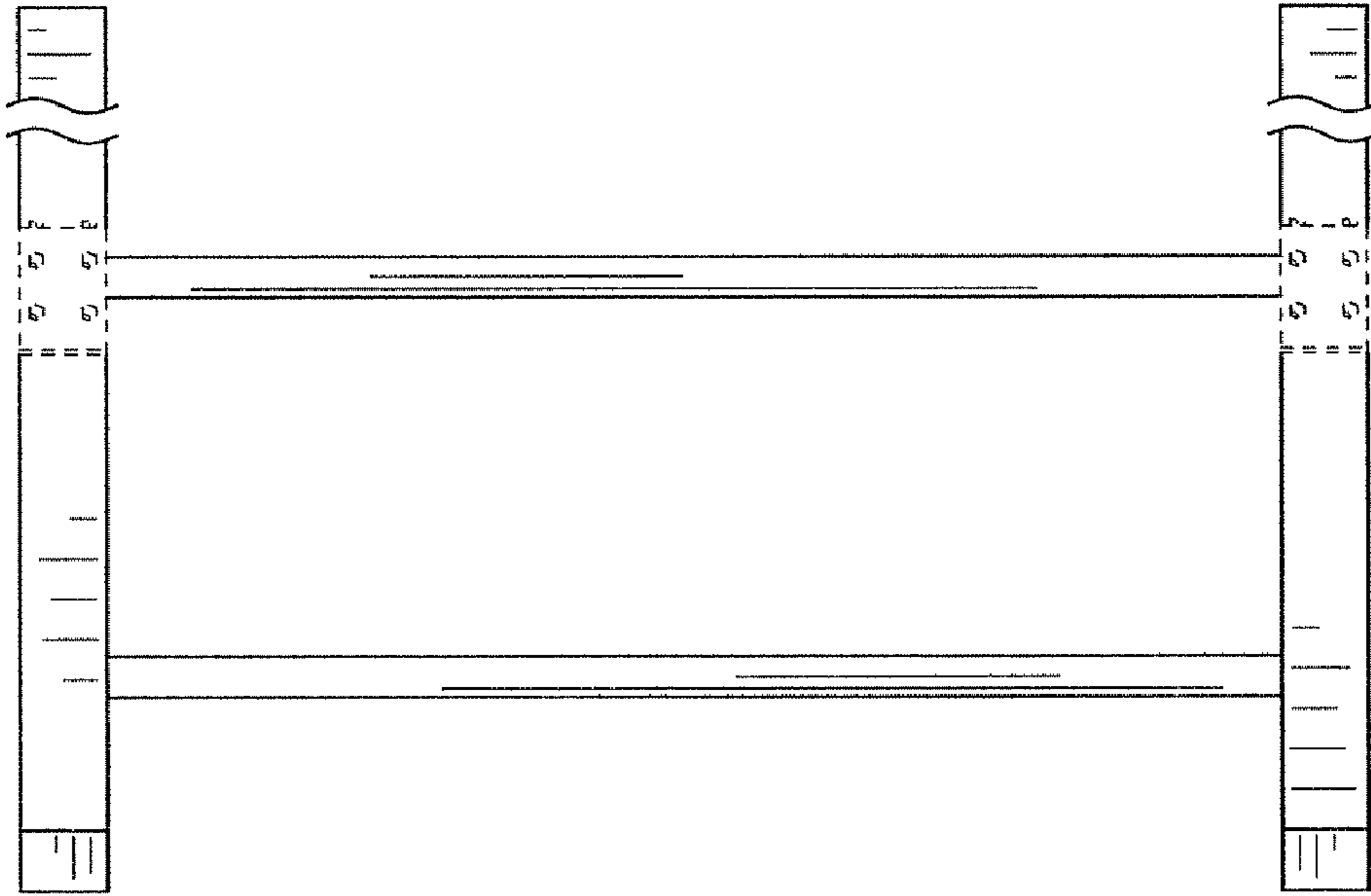


FIG. 17

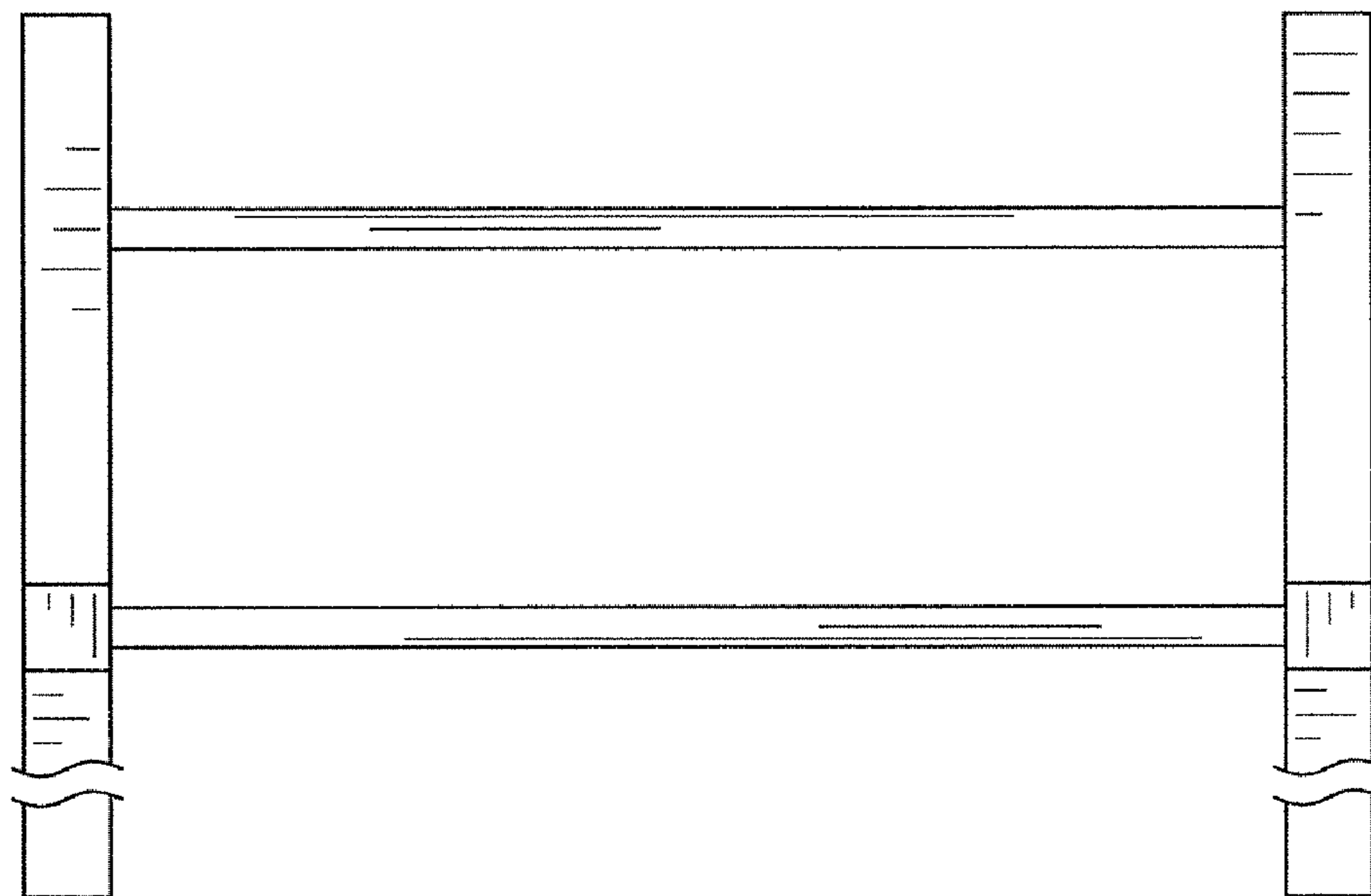


FIG. 18