



US00D650022S

(12) **United States Design Patent**
Lundquist

(10) **Patent No.:** **US D650,022 S**

(45) **Date of Patent:** **** Dec. 6, 2011**

(54) **WEIGHT LIFTING POWER MACHINE WITH SLAVE RACK**

(75) Inventor: **Randal L. Lundquist**, Mansfield, OH (US)

(73) Assignee: **Recreation Supply, Inc.**, Sunbury, OH (US)

(**) Term: **14 Years**

(21) Appl. No.: **29/379,370**

(22) Filed: **Nov. 18, 2010**

(51) **LOC (9) Cl.** **21-02**

(52) **U.S. Cl.** **D21/673**

(58) **Field of Classification Search** D21/662, D21/673, 674, 675, 676, 686, 690, 691, 694; 482/42, 92, 94, 95, 96, 97, 98, 100, 101, 482/104, 142

See application file for complete search history.

4,934,693	A *	6/1990	Santoro	482/98
4,998,723	A *	3/1991	Santoro	482/104
5,050,868	A *	9/1991	Pearson	482/94
5,669,859	A *	9/1997	Liggett et al.	482/94
6,623,409	B1 *	9/2003	Abelbeck	482/104
D511,189	S *	11/2005	Panatta	D21/673
D512,471	S *	12/2005	Panatta	D21/673
7,374,516	B2 *	5/2008	Lundquist	482/104
7,393,309	B2 *	7/2008	Webber	482/104
7,455,629	B2 *	11/2008	Abelbeck	482/92
D590,032	S *	4/2009	Webber et al.	D21/673
7,549,950	B1 *	6/2009	Lundquist et al.	482/101
D599,418	S *	9/2009	Fenster et al.	D21/675
7,641,602	B2 *	1/2010	Rogers et al.	482/100
7,713,179	B2 *	5/2010	Webber	482/104

* cited by examiner

Primary Examiner — Susan E Krakower

(74) *Attorney, Agent, or Firm* — Mueller Smith & Okuley, LLC

(57) **CLAIM**

The ornamental design for weight lifting power machine with slave rack, as shown.

DESCRIPTION

FIG. 1 is an isometric view of a weight lifting power machine with slave rack;

FIG. 2 is a front view thereof;

FIG. 3 is a top view thereof;

FIG. 4 is a side view thereof;

FIG. 5 is a bottom view thereof; and,

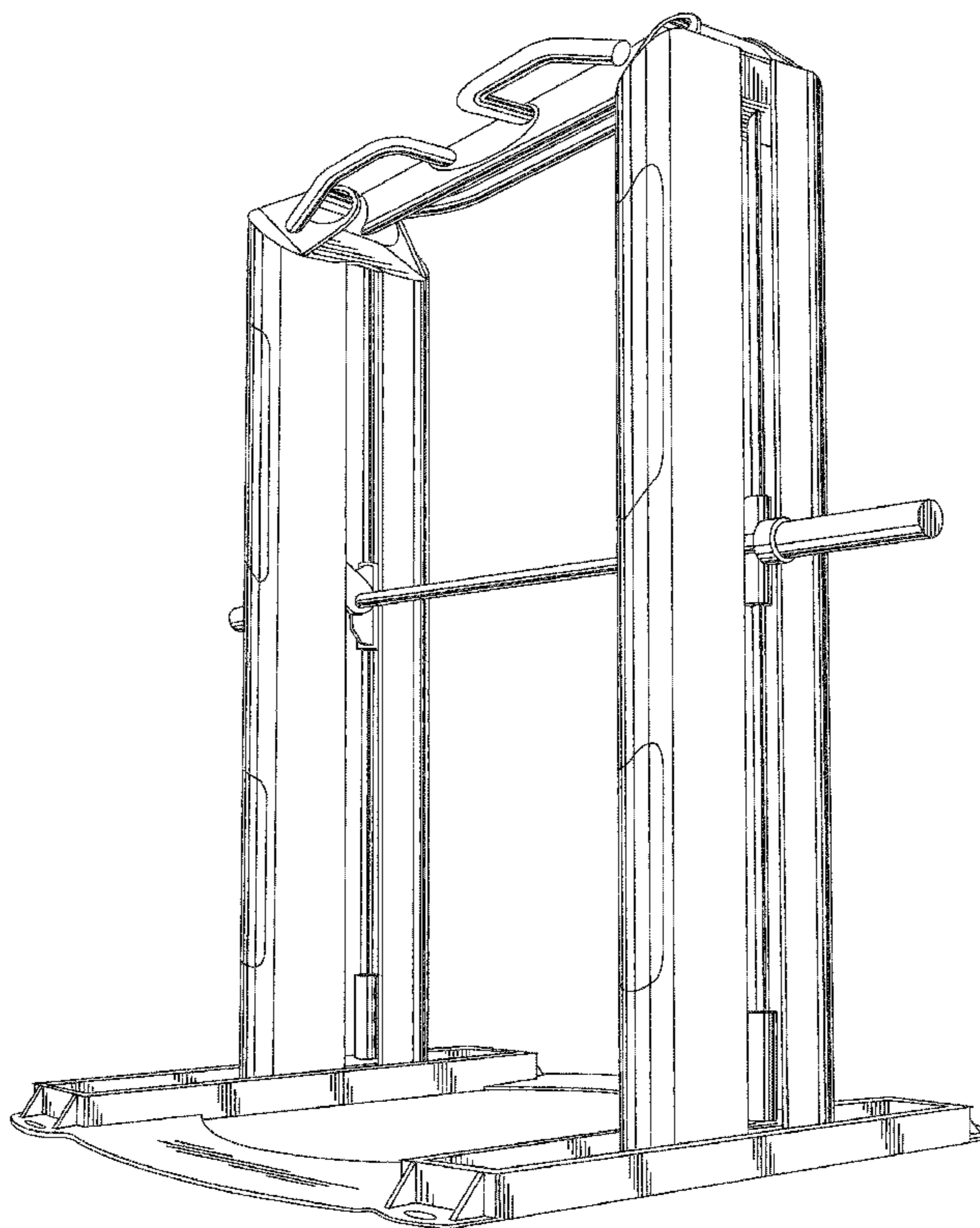
FIG. 6 is a rear view thereof.

1 Claim, 4 Drawing Sheets

(56) **References Cited**

U.S. PATENT DOCUMENTS

3,207,511	A *	9/1965	Hoffman	482/42
D204,397	S *	4/1966	Marcyan et al.	D21/675
D231,997	S *	7/1974	White	D21/673
D254,143	S *	2/1980	de Bock	D21/673
D265,111	S *	6/1982	Lynn	D21/673
4,527,797	A *	7/1985	Slade et al.	482/101
D291,340	S *	8/1987	Cooper	D21/673
4,750,739	A *	6/1988	Lange	482/104
4,795,149	A *	1/1989	Pearson	482/98



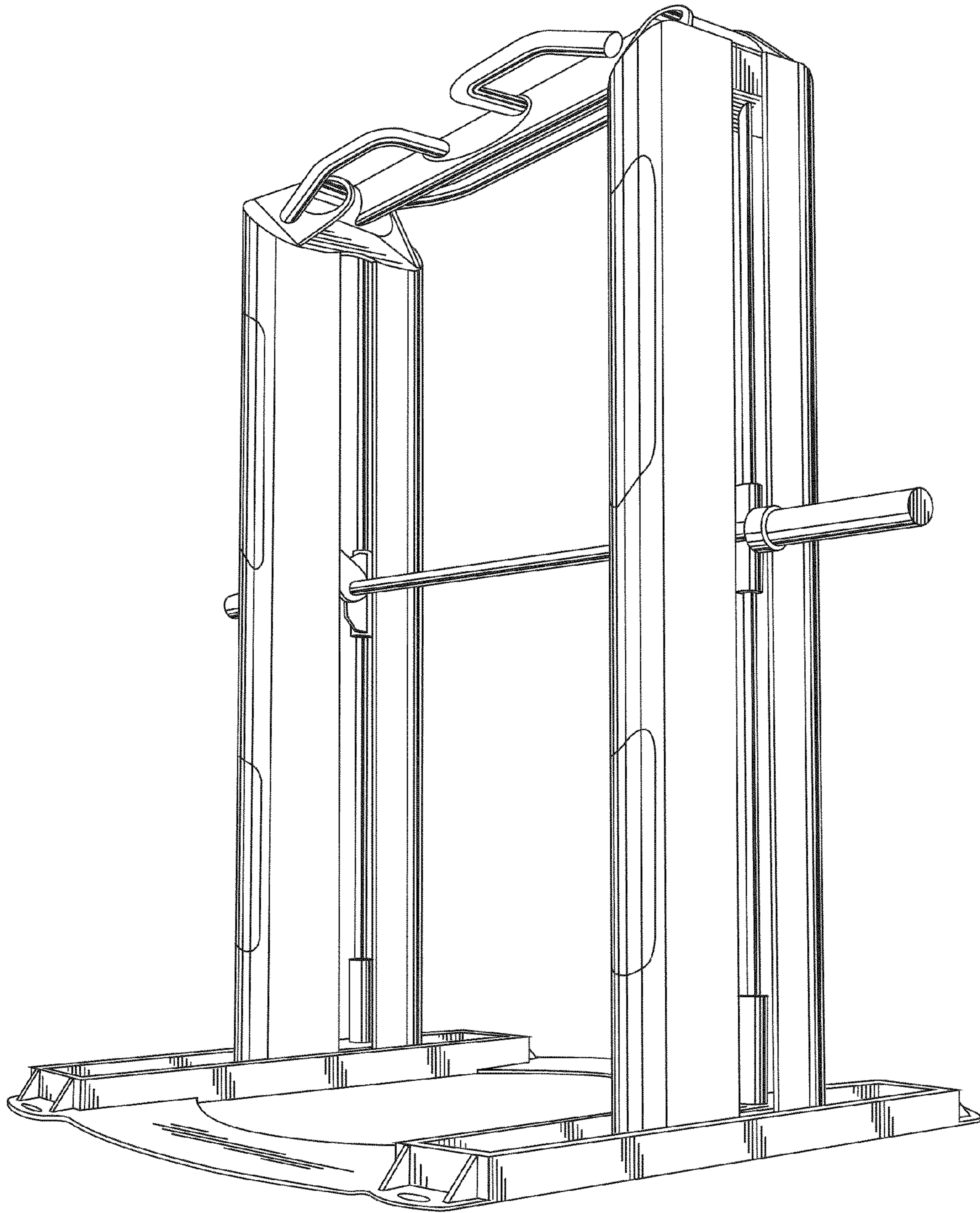


FIG. 1

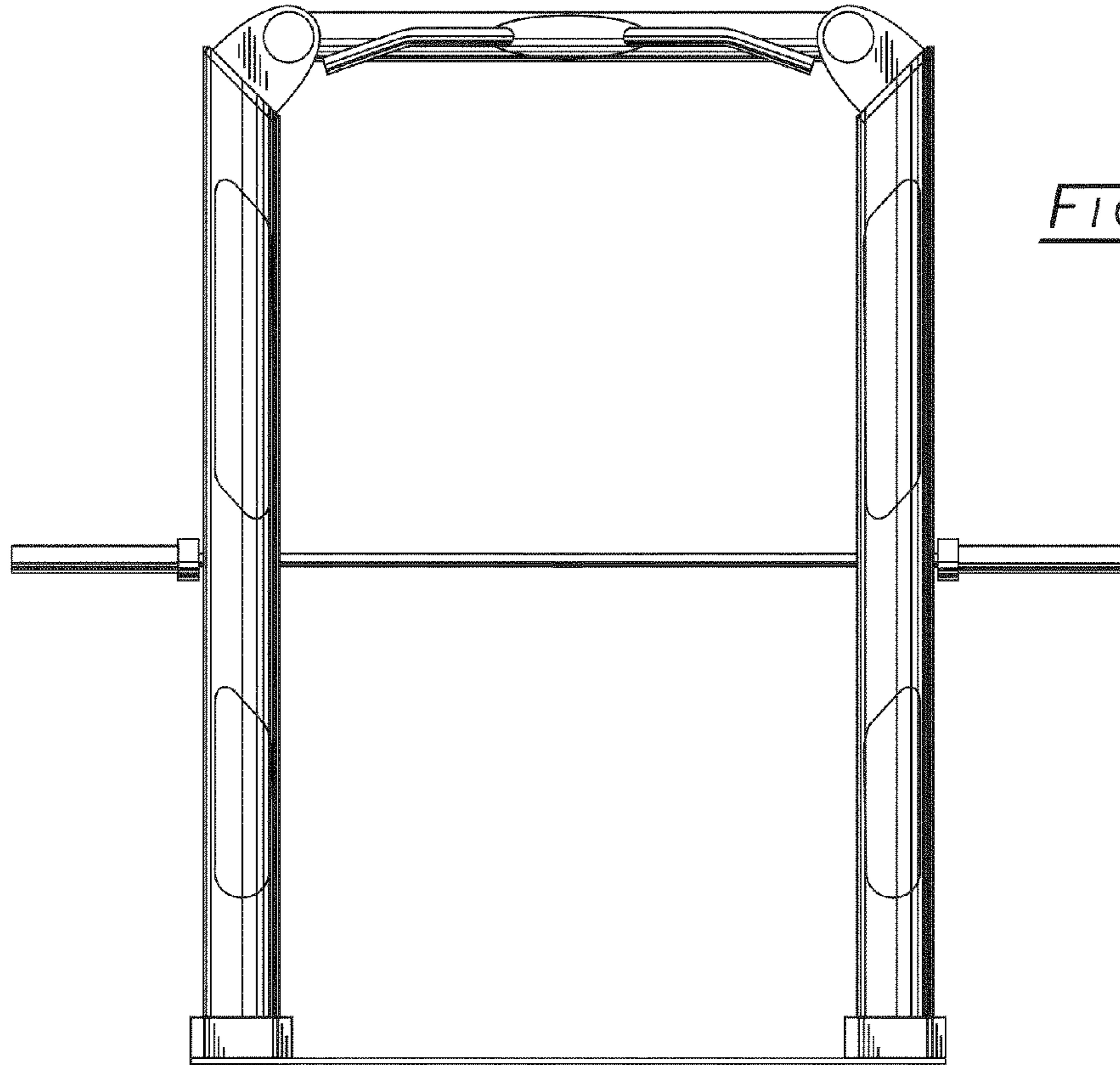


FIG. 2

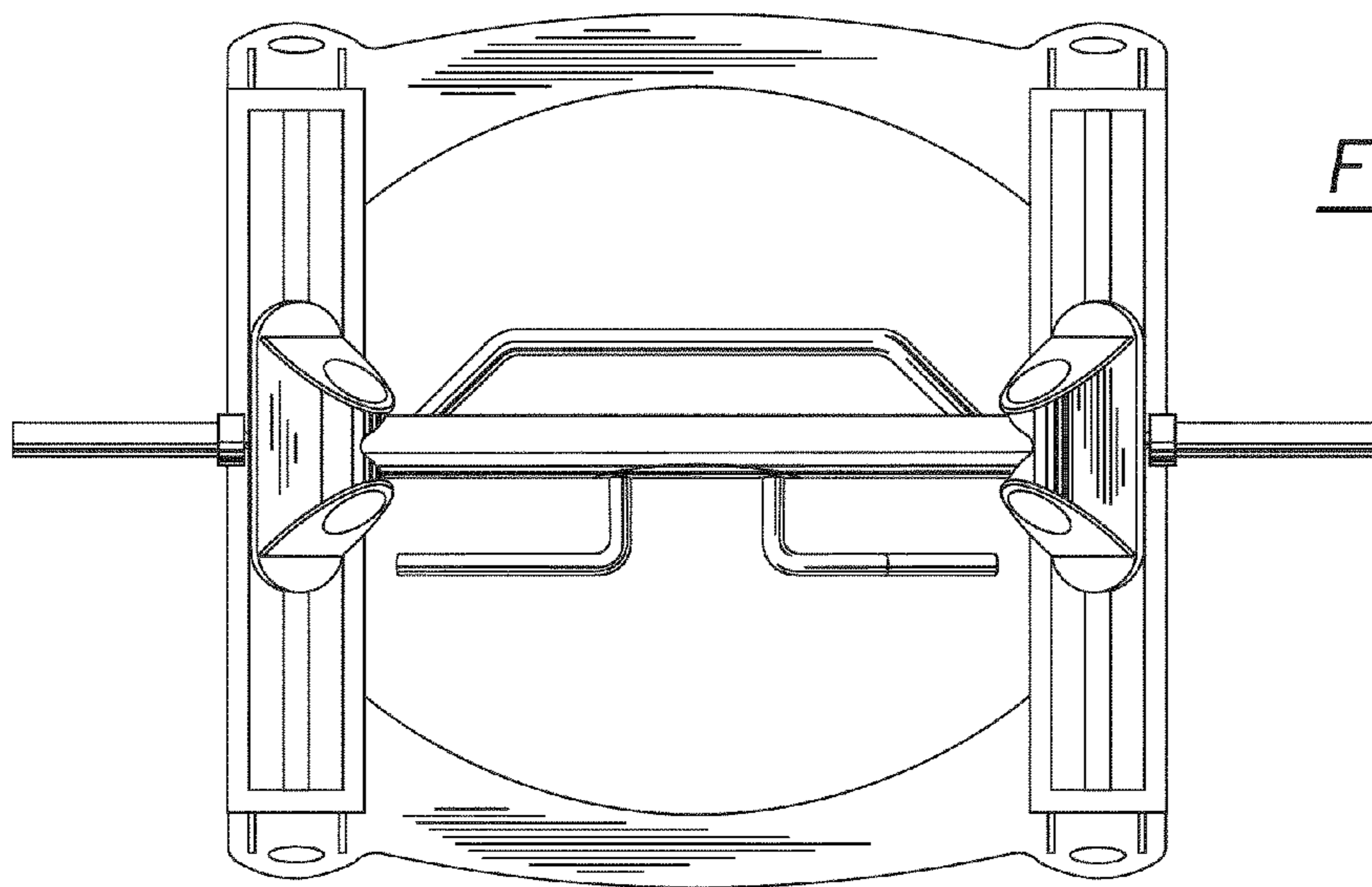


FIG. 3

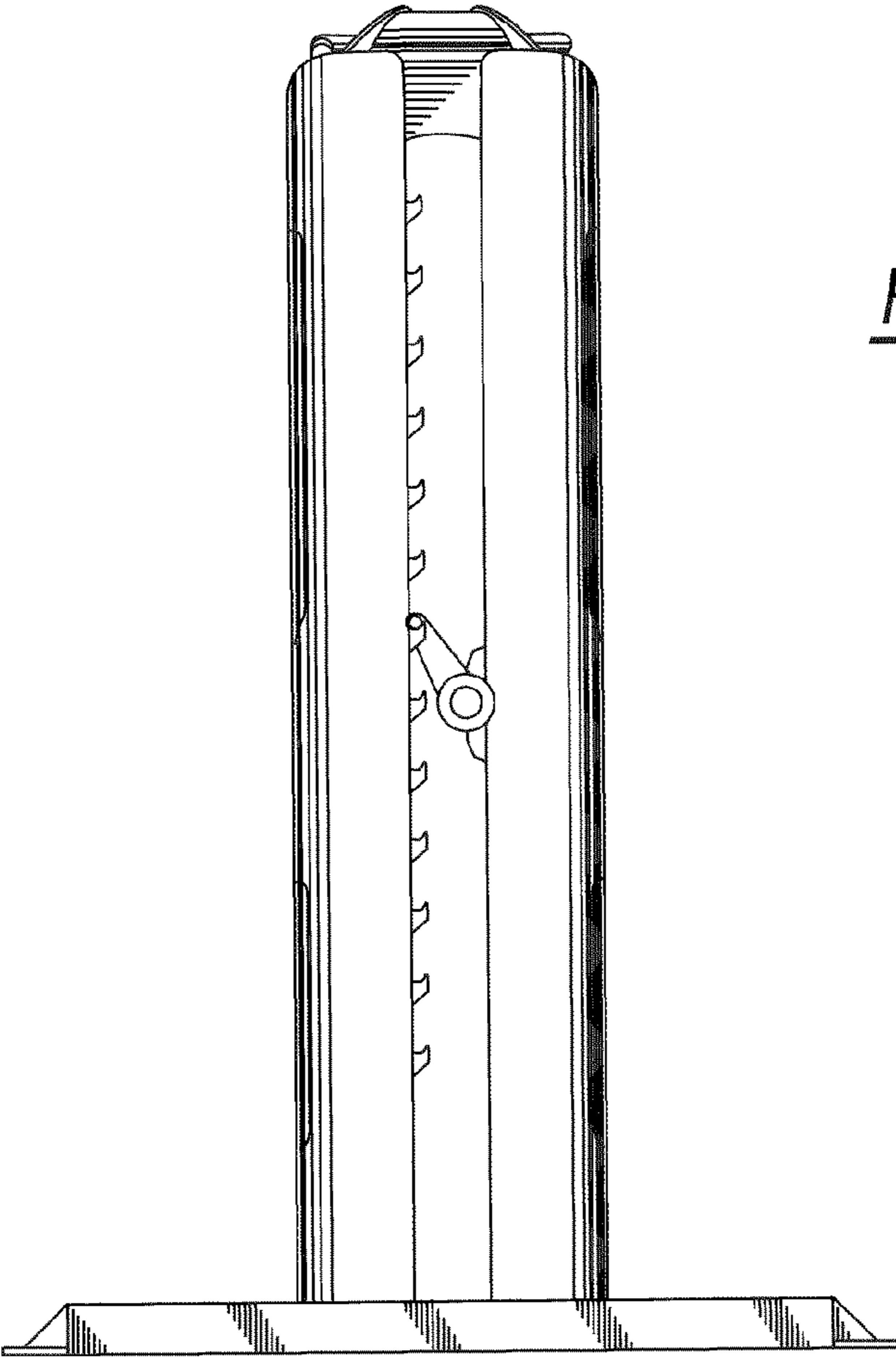


FIG. 4

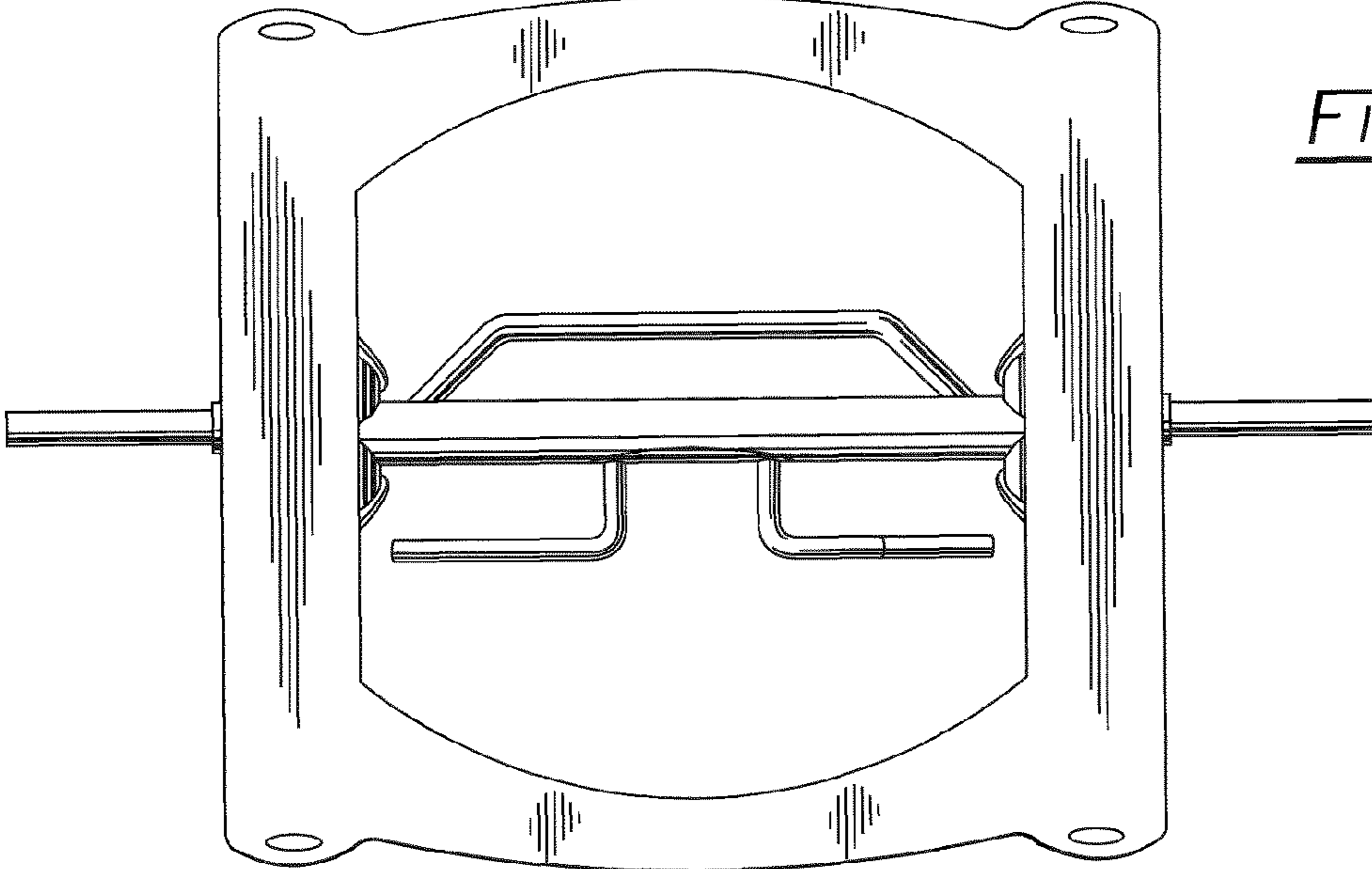


FIG. 5

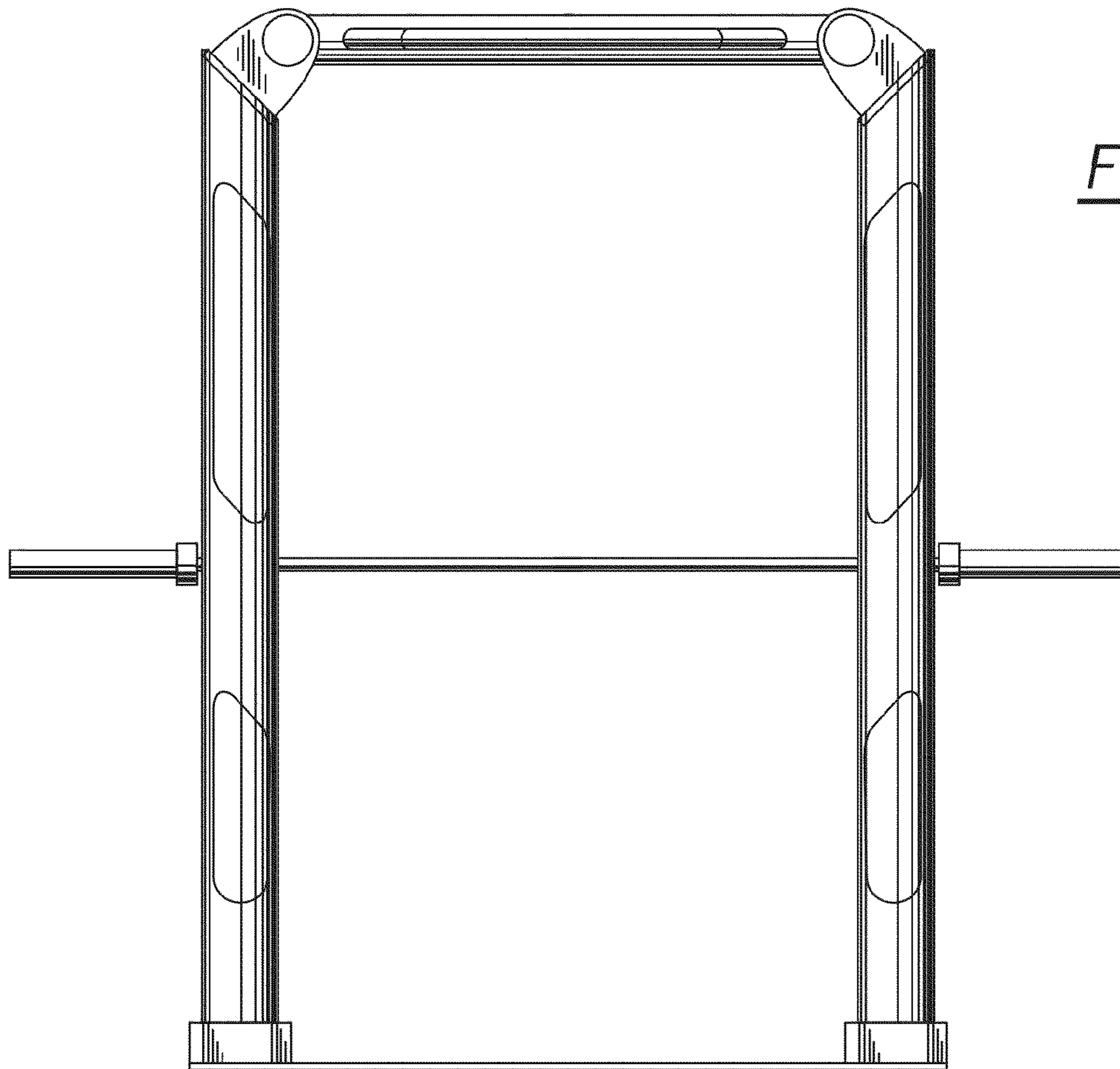


FIG. 6