



US00D650021S

(12) **United States Design Patent**
Suzuki et al.

(10) **Patent No.:** **US D650,021 S**
(45) **Date of Patent:** **** Dec. 6, 2011**

(54) **RADIO REMOTE CONTROL UNIT**

(75) Inventors: **Takafumi Suzuki**, Chiba (JP); **Noriaki Morita**, Chiba (JP)

(73) Assignee: **Futaba Corporation**, Chiba-ken (JP)

(**) Term: **14 Years**

(21) Appl. No.: **29/388,360**

(22) Filed: **Mar. 28, 2011**

(30) **Foreign Application Priority Data**

Sep. 30, 2010 (JP) 2010-023470

(51) **LOC (9) Cl.** **21-01**

(52) **U.S. Cl.** **D21/566**

(58) **Field of Classification Search** D21/324,
D21/329, 333, 434, 552, 559, 560, 566; D14/400,
D14/401, 454, 217, 218, 358, 155; D13/158,
D13/169; D12/98; 463/6, 7, 37, 38, 39,
463/46, 47; 345/156; 446/454-456; 300/315,
300/329, 332, 335, 339, 457, 533
See application file for complete search history.

(56) **References Cited**

U.S. PATENT DOCUMENTS

D344,553 S * 2/1994 Arai D21/566
D397,169 S * 8/1998 Kanetsuna et al. D21/453

D471,603 S * 3/2003 Morita et al. D21/566
D514,172 S * 1/2006 Jinno et al. D21/566
D516,136 S * 2/2006 Yuen D21/566
D517,129 S * 3/2006 Yamamoto et al. D21/566
D521,573 S * 5/2006 Jinno et al. D21/566
D546,905 S * 7/2007 Arai et al. D21/566
7,250,844 B2 * 7/2007 Arai et al. 338/118
D568,420 S * 5/2008 Hamasaki D21/566
D573,204 S * 7/2008 Arai et al. D21/566
D594,071 S * 6/2009 Jinno et al. D21/566
D636,825 S * 4/2011 Tanaka et al. D21/566

* cited by examiner

Primary Examiner — Cynthia M Chin

(74) *Attorney, Agent, or Firm* — Quarles & Brady LLP

(57) **CLAIM**

We claim the ornamental design for a radio remote control unit, as shown and described.

DESCRIPTION

FIG. 1 is a front side perspective view of a radio remote control unit showing our new design;
FIG. 2 is a rear side perspective view thereof;
FIG. 3 is a front elevational view thereof;
FIG. 4 is a rear elevational view thereof;
FIG. 5 is a right side elevational view thereof;
FIG. 6 is a left side elevational view thereof;
FIG. 7 is a top plan view thereof; and,
FIG. 8 is a bottom plan view thereof.

1 Claim, 7 Drawing Sheets

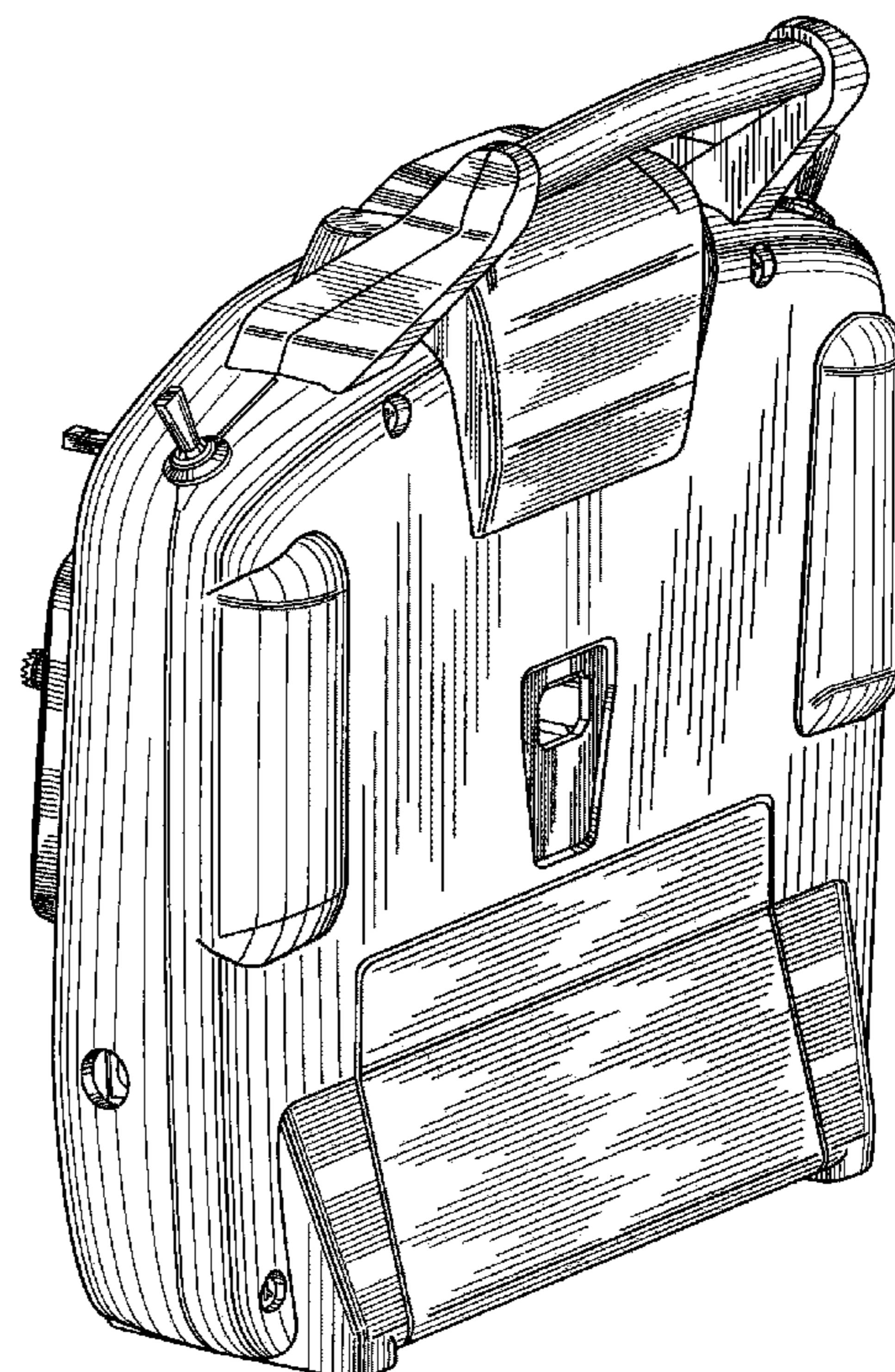
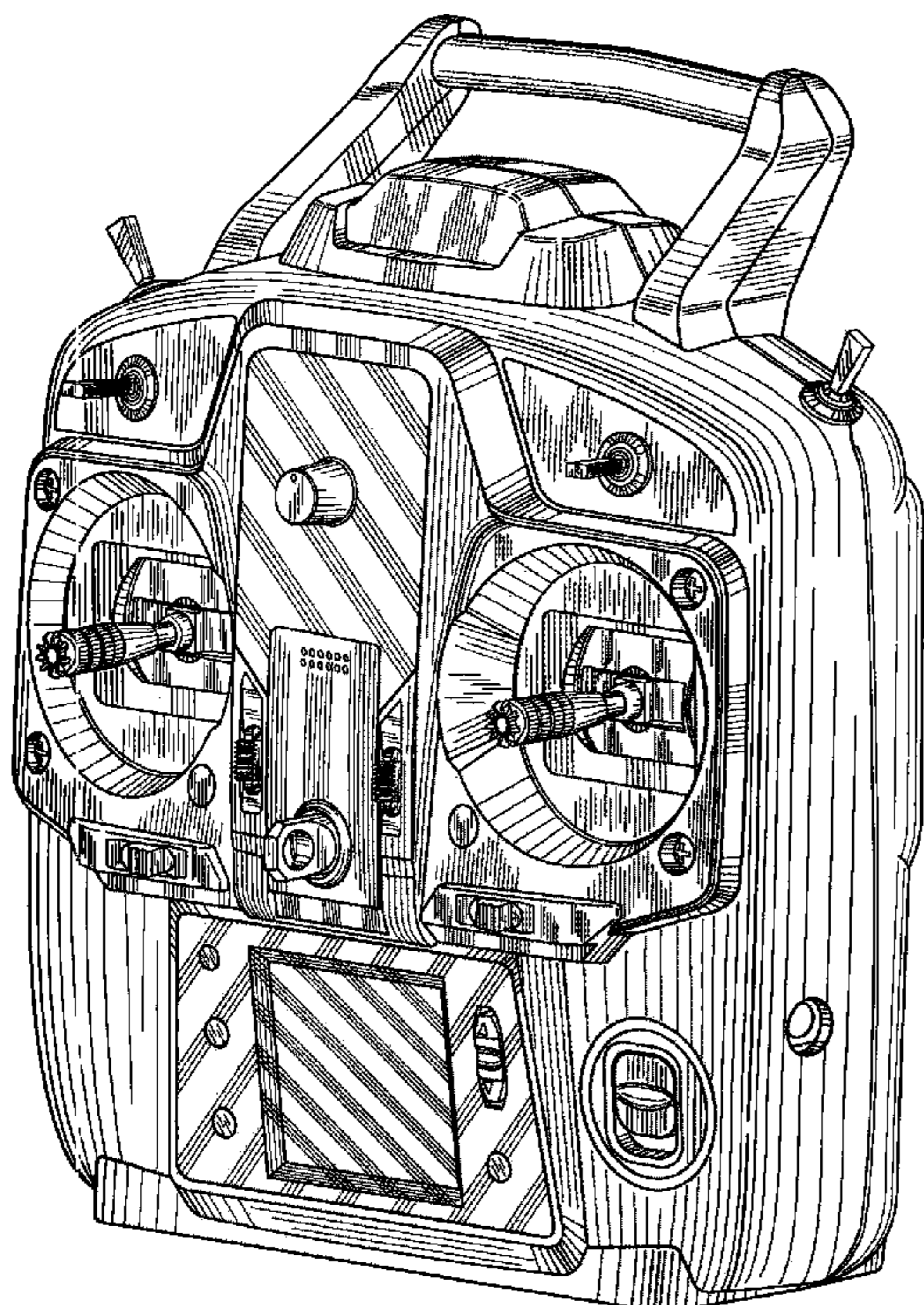


FIG.1

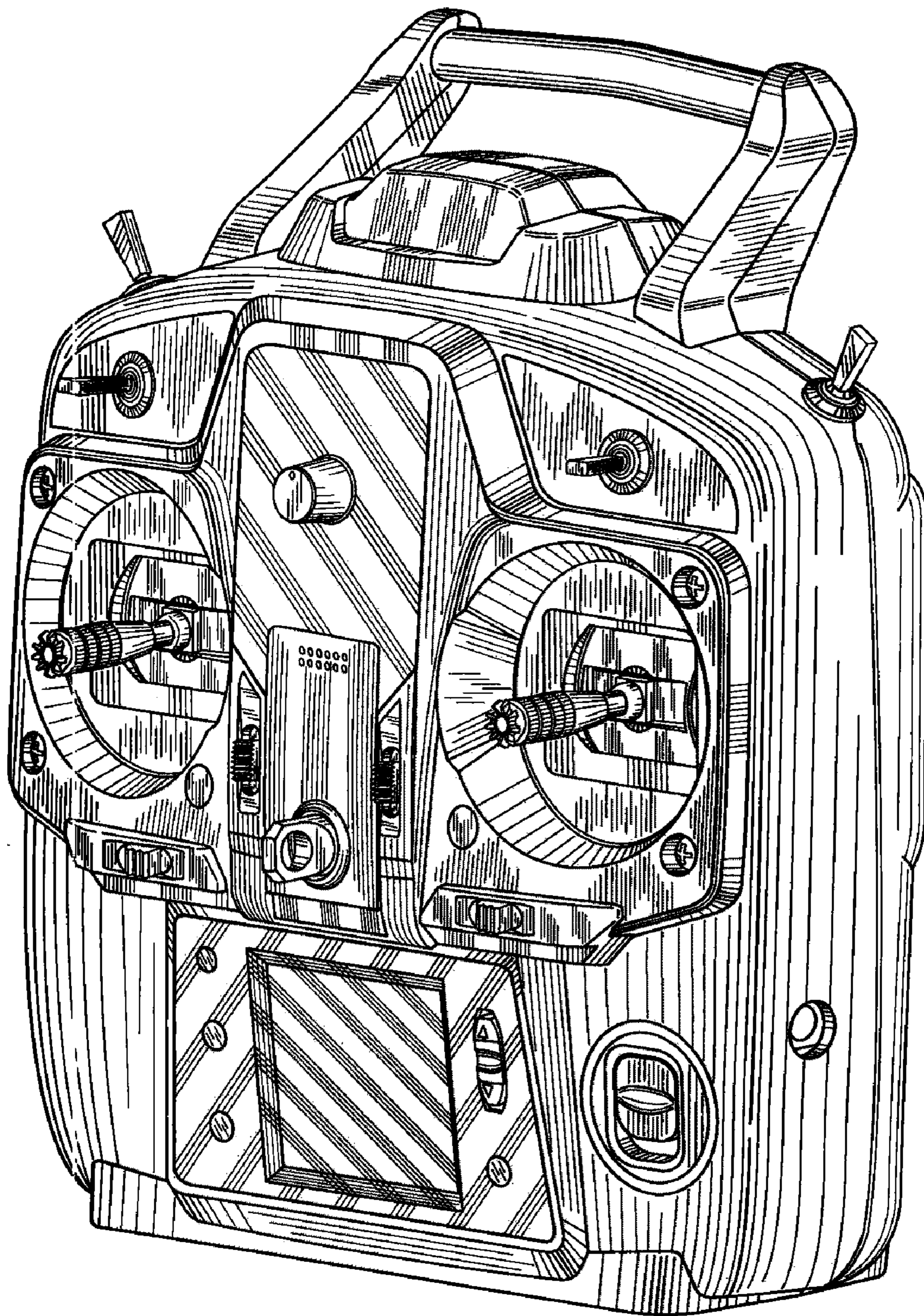


FIG.2

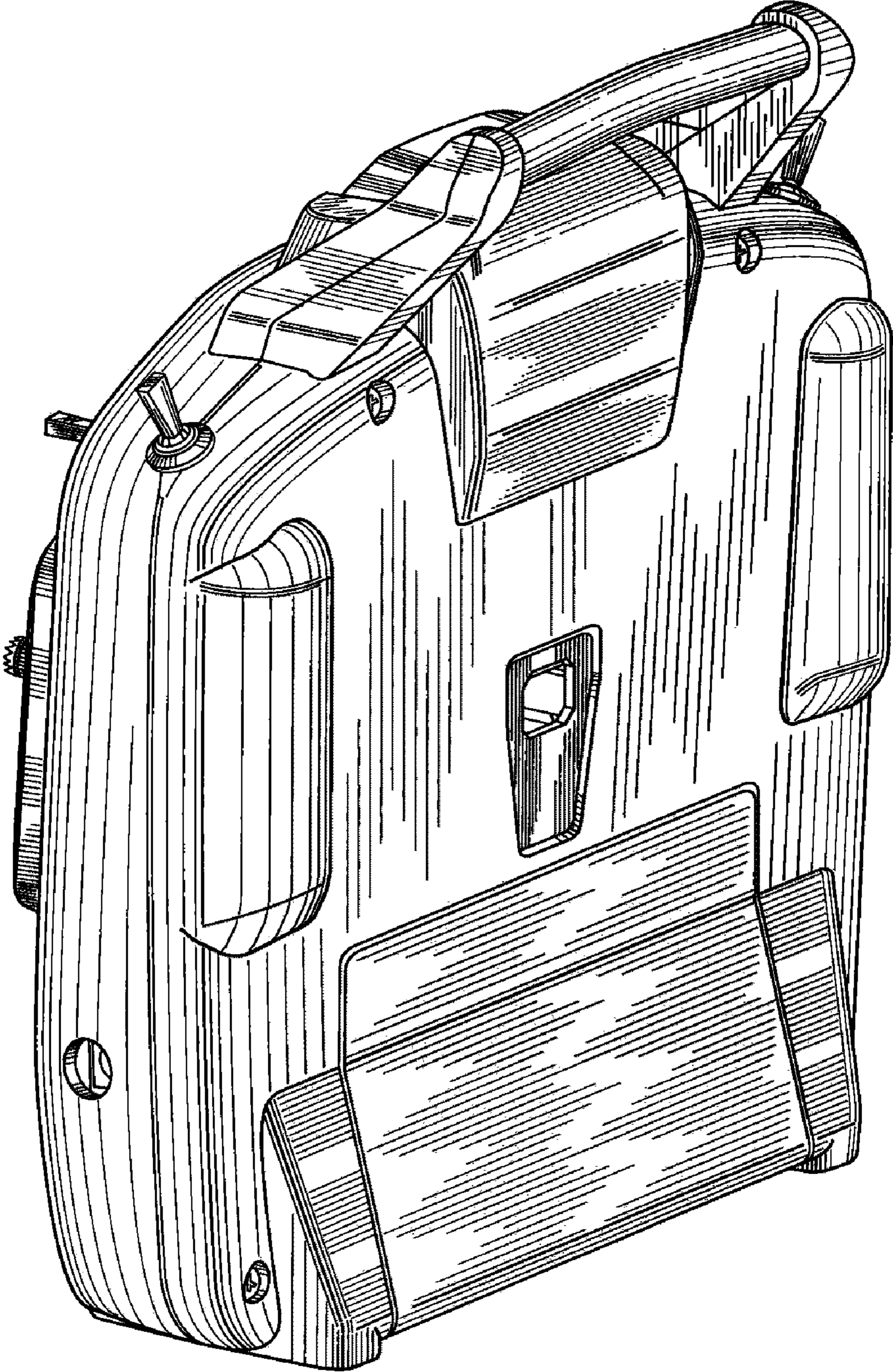


FIG.3

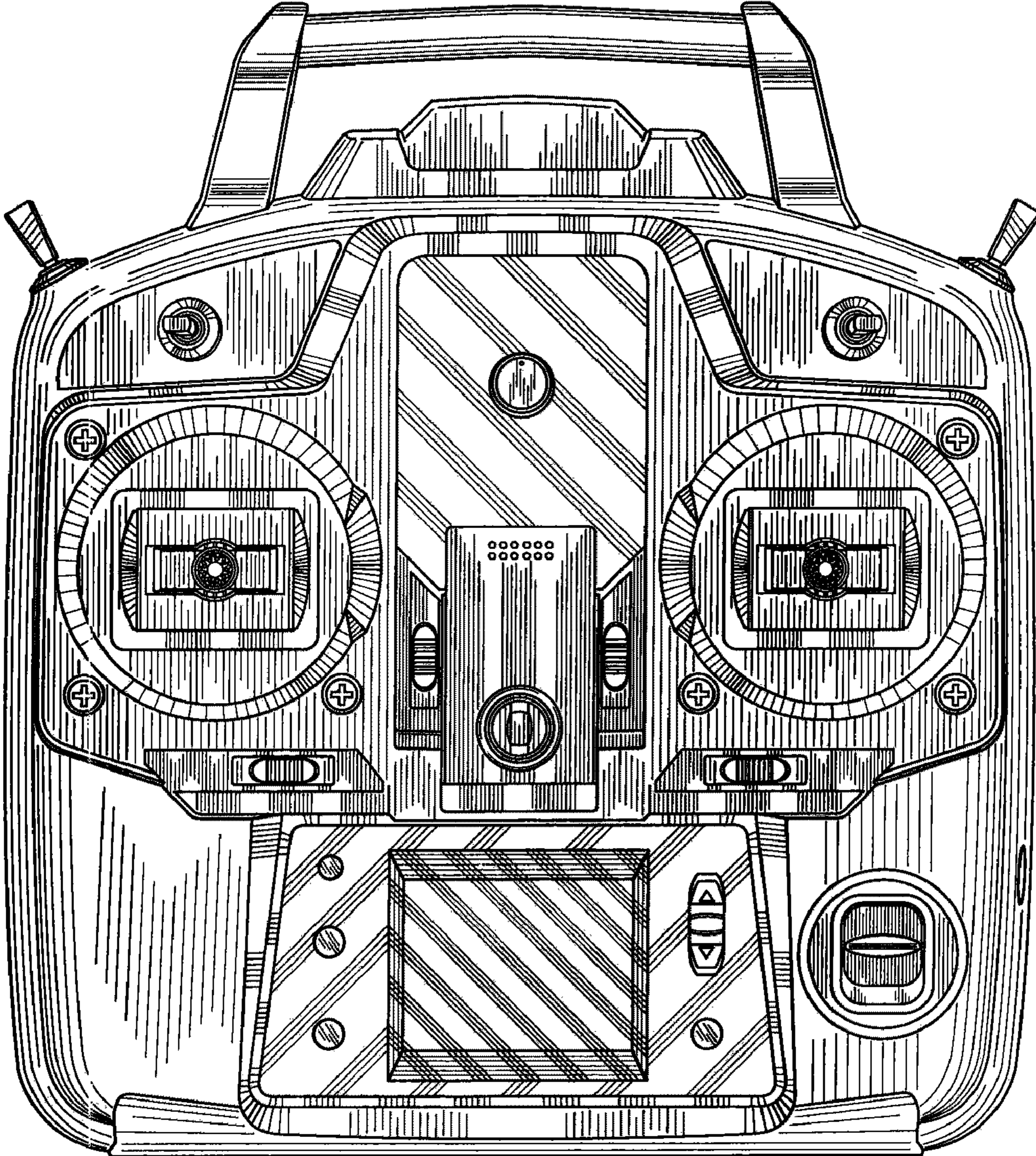


FIG.4

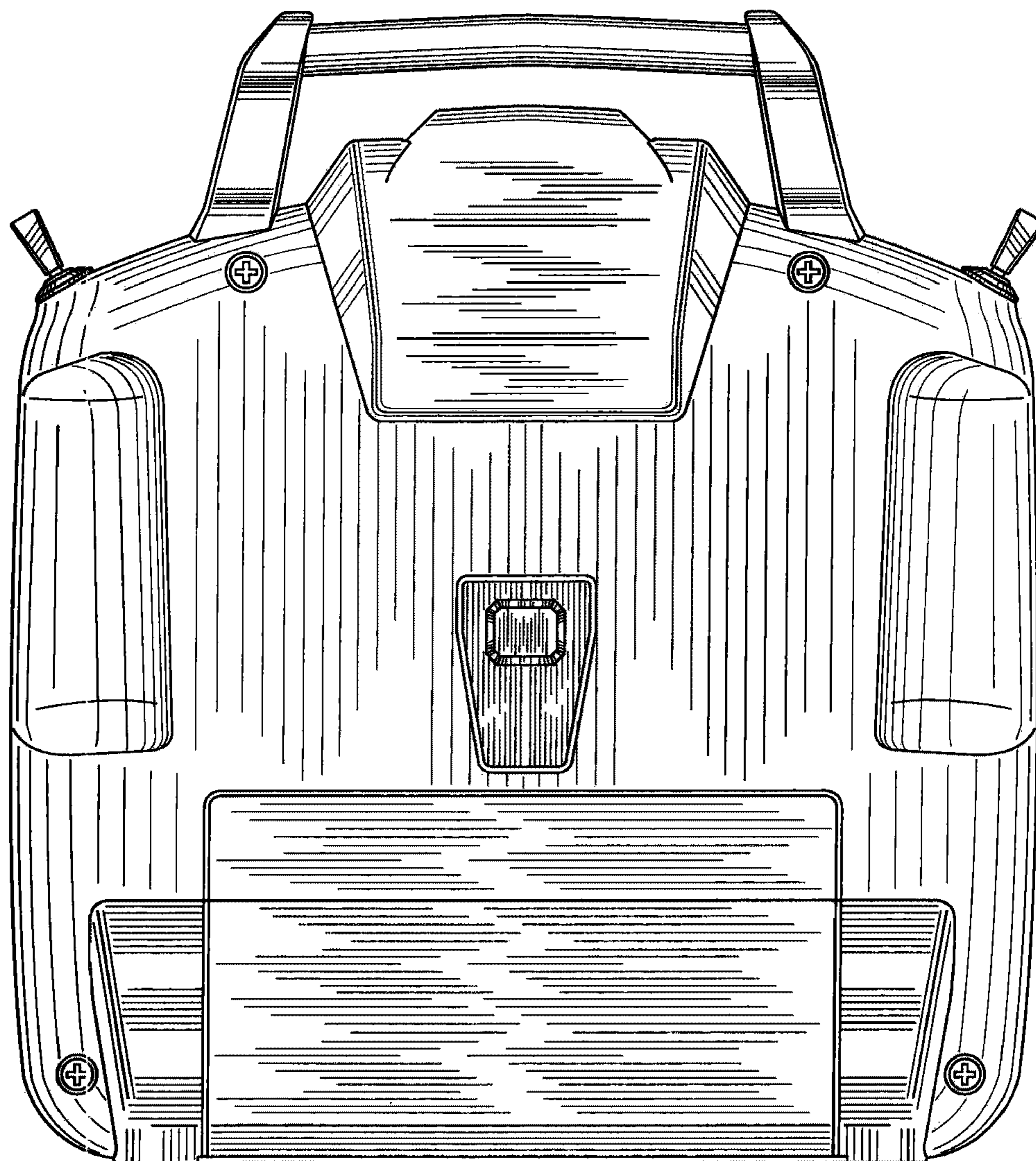


FIG.5

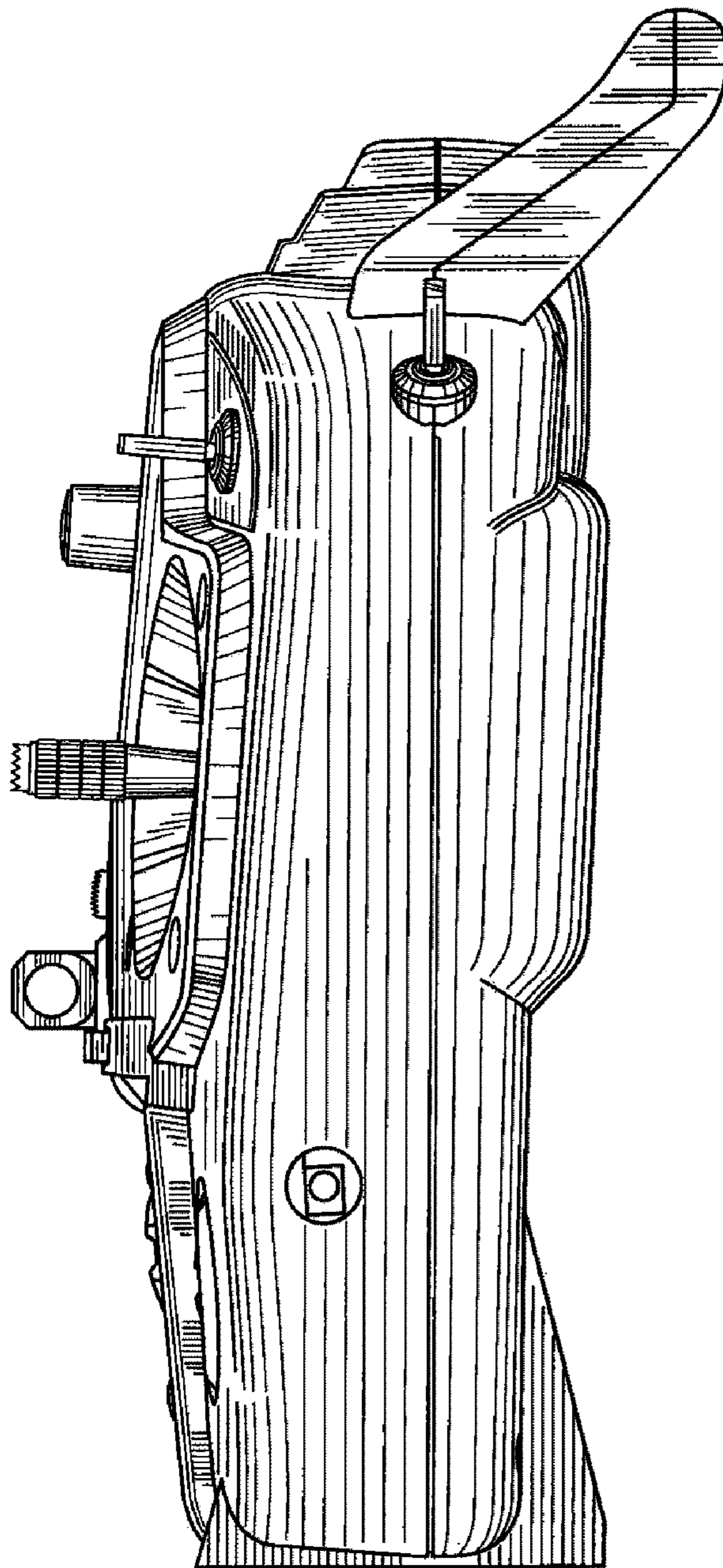


FIG.6

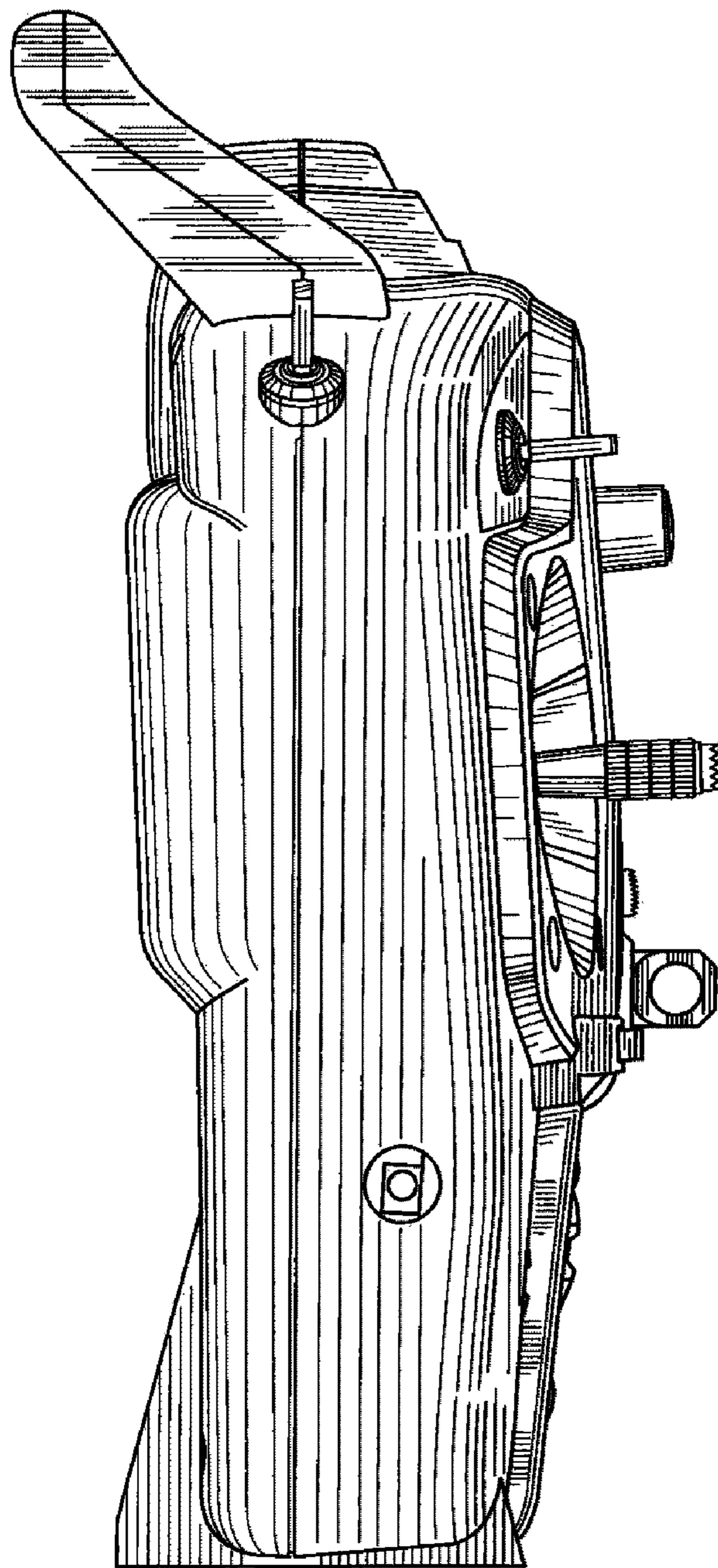


FIG.7

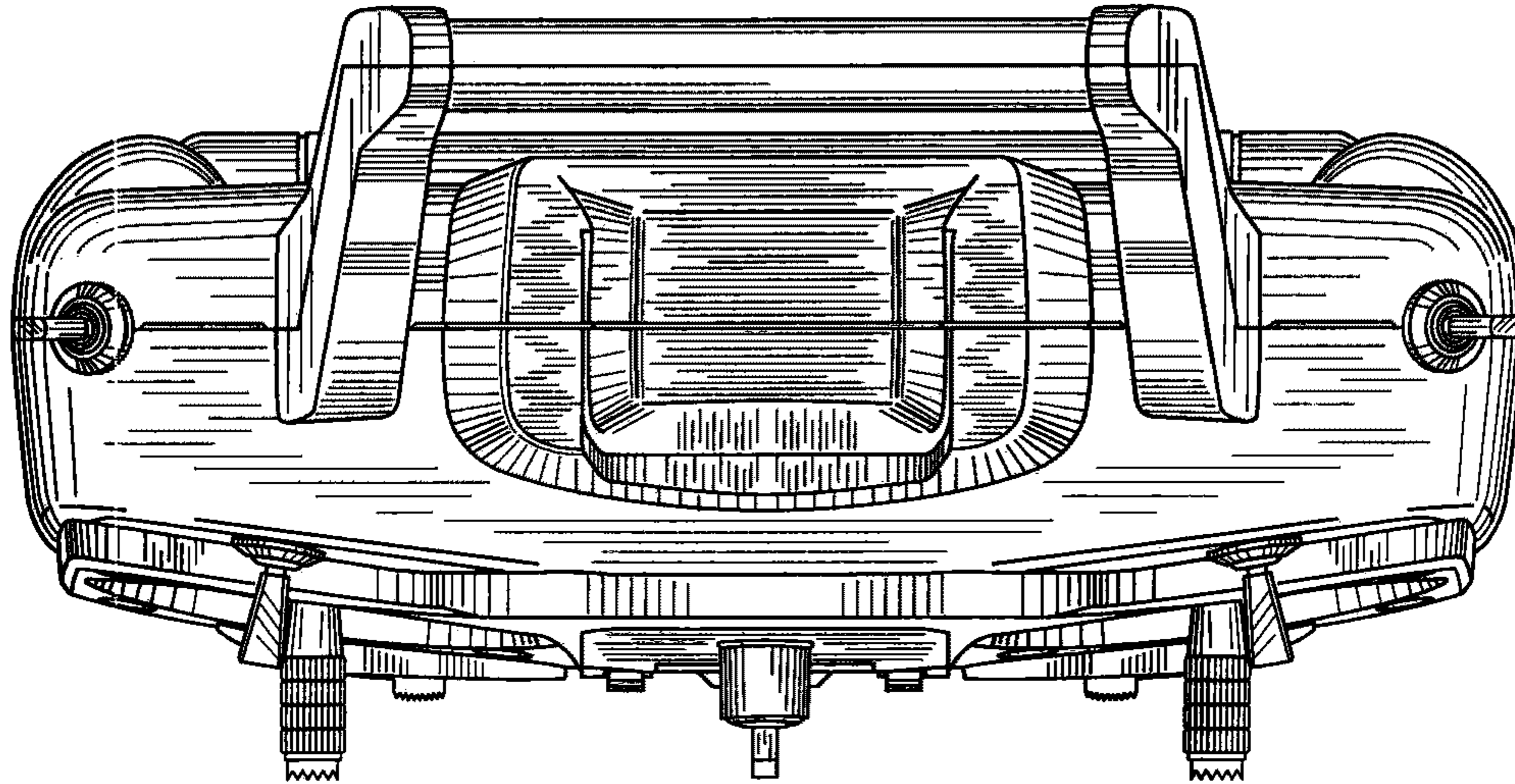


FIG.8

