

US00D650020S

(12) **United States Design Patent**  
**Kono et al.**

(10) **Patent No.:** **US D650,020 S**  
(45) **Date of Patent:** **\*\* Dec. 6, 2011**

(54) **RADIO REMOTE CONTROL UNIT**

(75) Inventors: **Toru Kono**, Chiba (JP); **Makoto Migita**, Tokyo (JP)

(73) Assignee: **Futaba Corporation**, Chiba-ken (JP)

(\*\*) Term: **14 Years**

(21) Appl. No.: **29/388,357**

(22) Filed: **Mar. 28, 2011**

(30) **Foreign Application Priority Data**

Sep. 30, 2010 (JP) ..... 2010-023468

(51) **LOC (9) Cl.** ..... **21-01**

(52) **U.S. Cl.** ..... **D21/566**

(58) **Field of Classification Search** ..... D21/324,  
D21/329, 333, 434, 552, 559, 560, 566; D14/400,  
D14/401, 454, 217, 218, 358, 155; D13/158,  
D13/169; D12/98; 463/6, 7, 37, 38, 39,  
463/46, 47; 345/156; 446/454-456; 300/315,  
300/329, 332, 335, 339, 457, 533

See application file for complete search history.

(56) **References Cited**

U.S. PATENT DOCUMENTS

D390,613	S	*	2/1998	Kanetsuna et al.	.....	D21/566
D411,265	S	*	6/1999	Kanetsuna et al.	.....	D21/566
D464,684	S	*	10/2002	Arai et al.	.....	D21/566
D481,080	S	*	10/2003	Arai et al.	.....	D21/566
D513,045	S	*	12/2005	Yuen	.....	D21/566
D516,137	S	*	2/2006	Yuen	.....	D21/566
D525,320	S	*	7/2006	Noguchi	.....	D21/566
D573,666	S	*	7/2008	Idiot	.....	D21/566

\* cited by examiner

*Primary Examiner* — Cynthia M Chin

(74) *Attorney, Agent, or Firm* — Quarles & Brady LLP

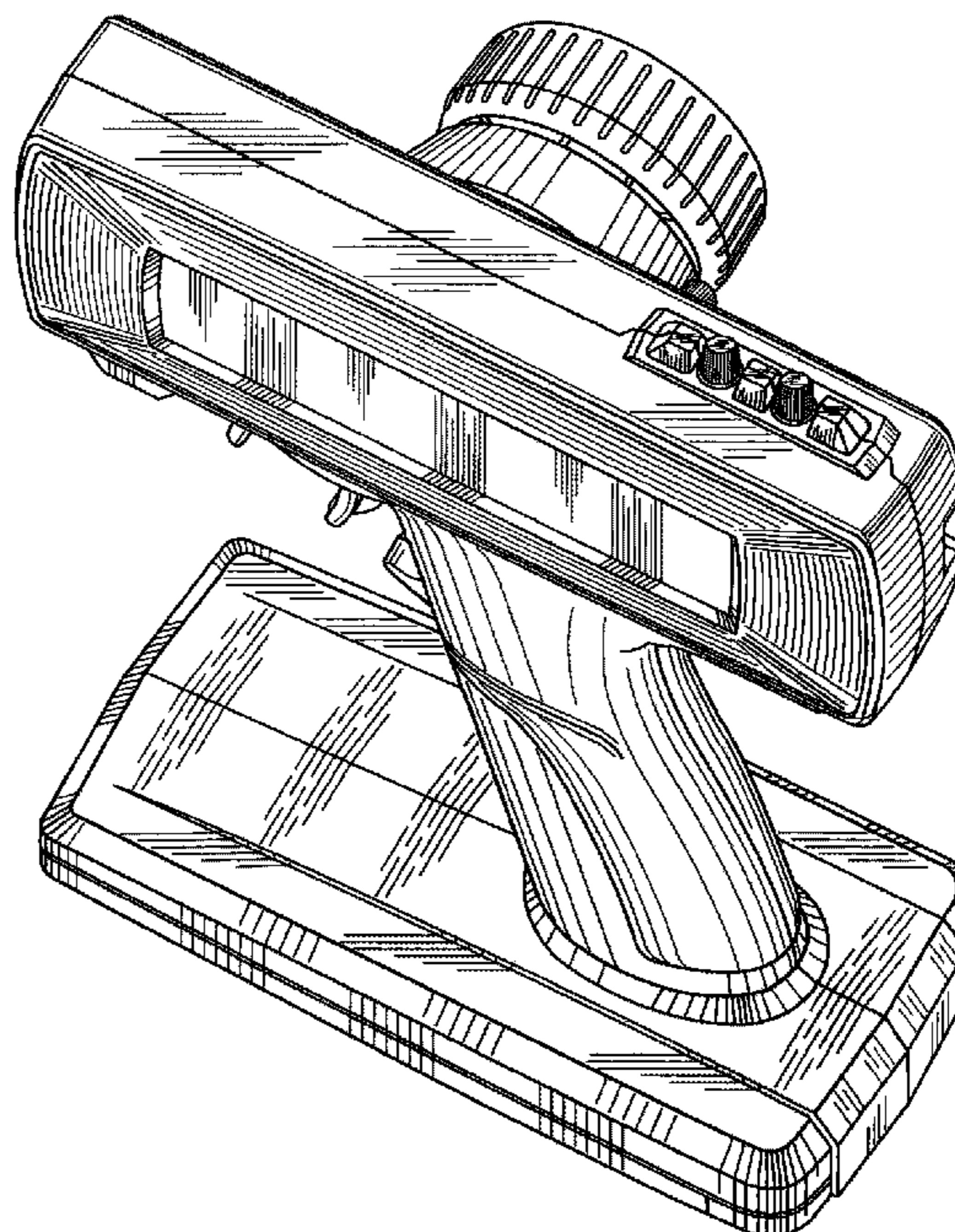
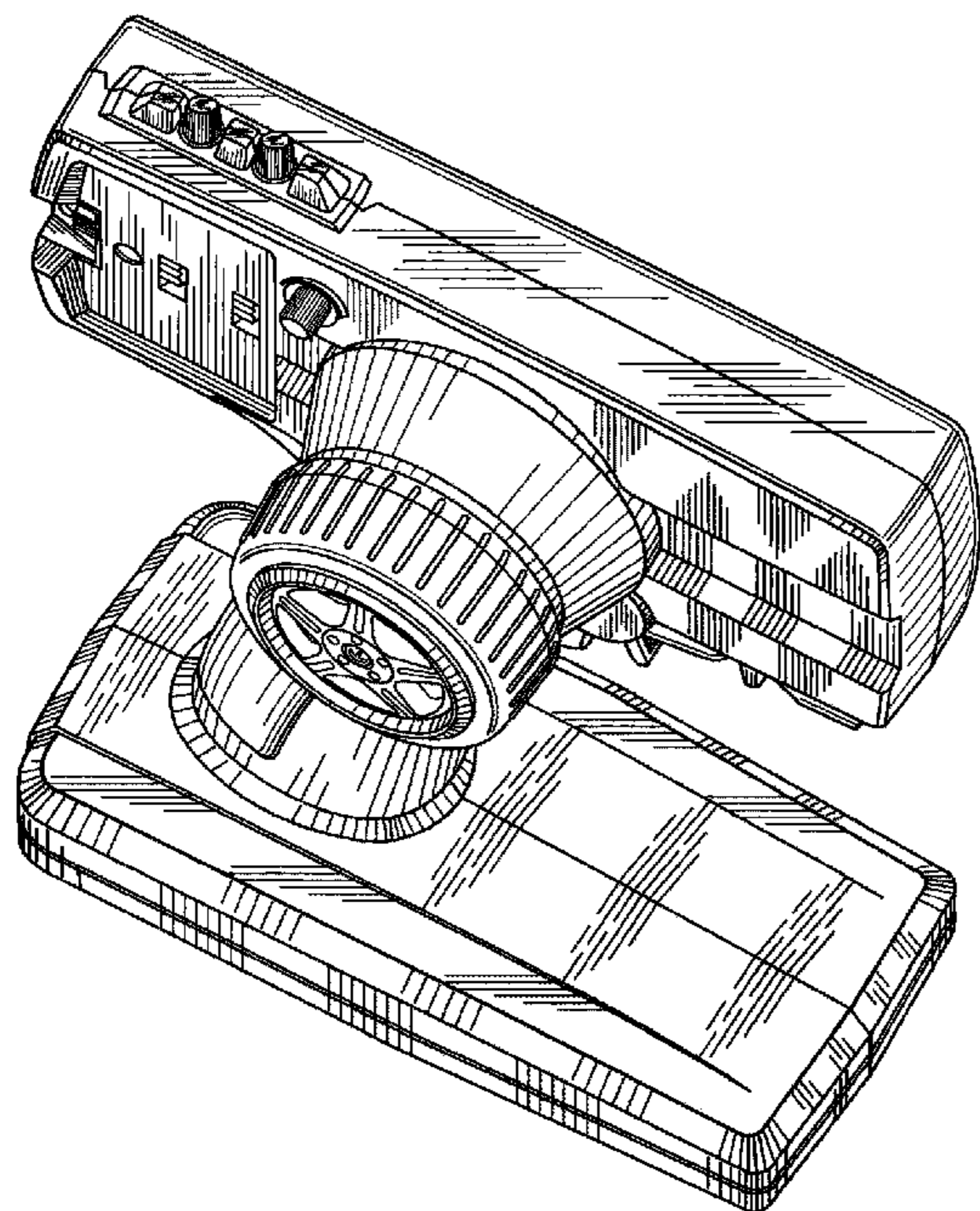
(57) **CLAIM**

We claim the ornamental design for a radio remote control unit, as shown and described.

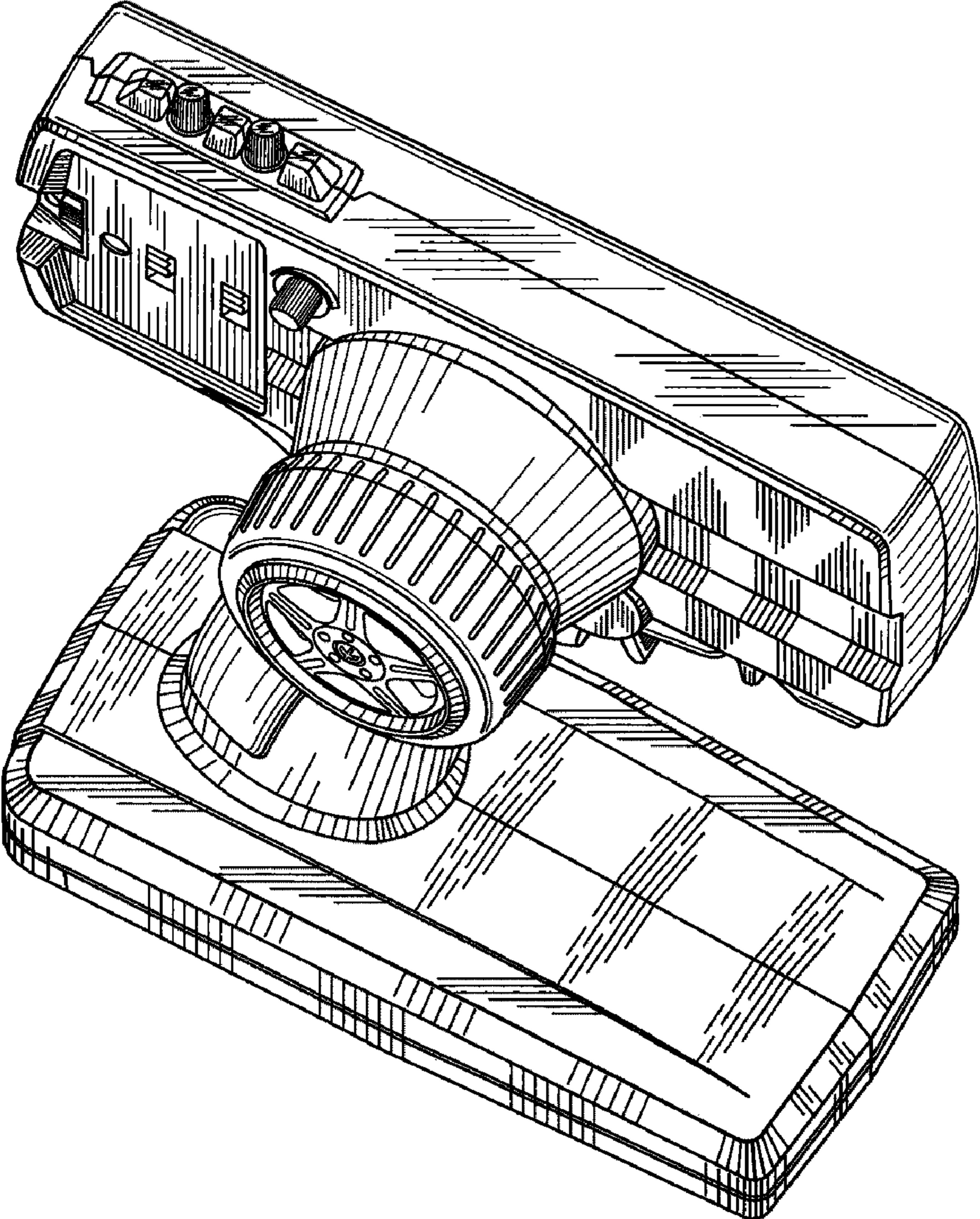
**DESCRIPTION**

FIG. 1 is a top and front side perspective view of a radio remote control unit showing our new design; FIG. 2 is a top and rear side perspective view thereof; FIG. 3 is a front elevational view thereof; FIG. 4 is a rear elevational view thereof; FIG. 5 is a right side elevational view thereof; FIG. 6 is a left side elevational view thereof; FIG. 7 is a top plan view thereof; and, FIG. 8 is a bottom plan view thereof.

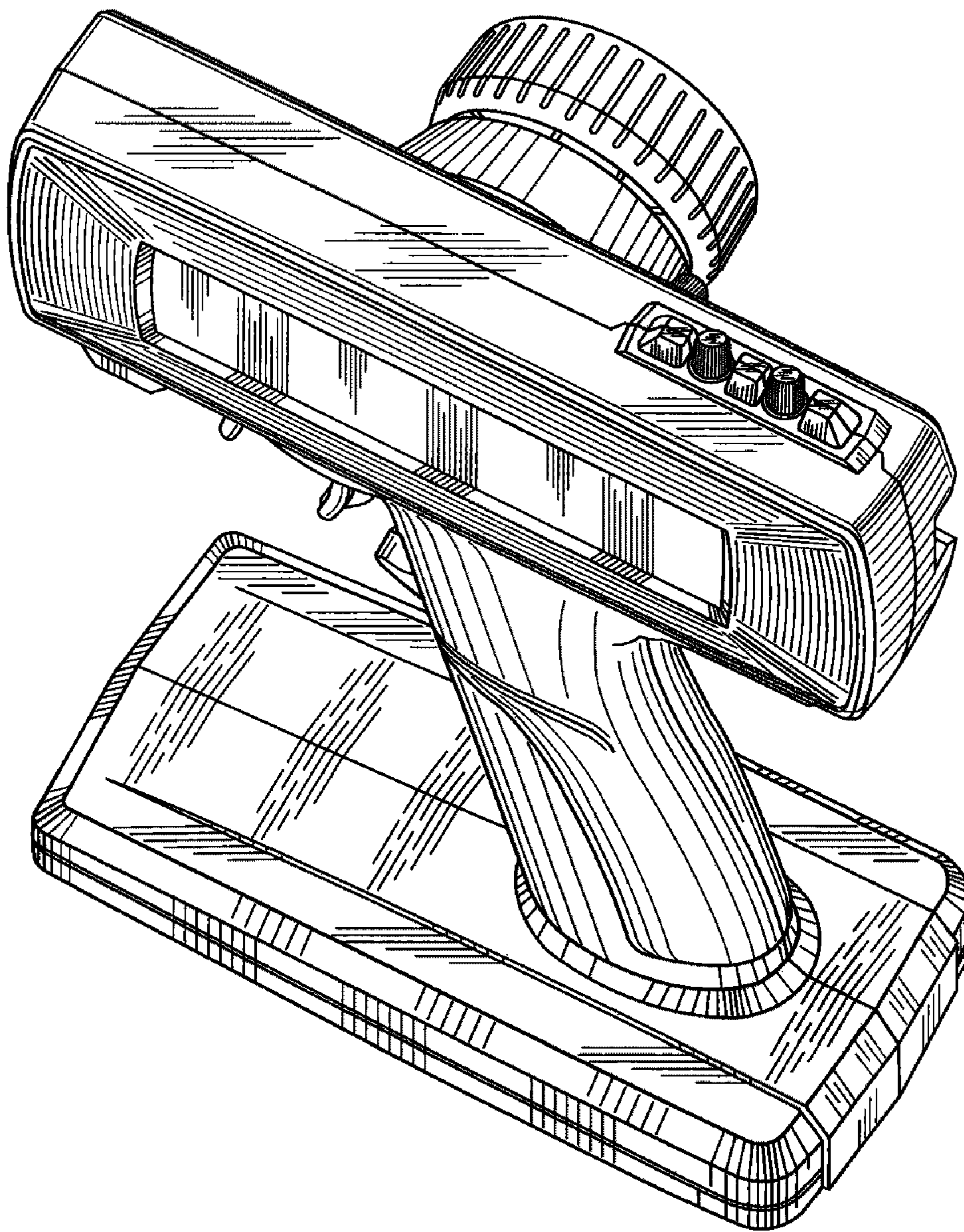
**1 Claim, 7 Drawing Sheets**



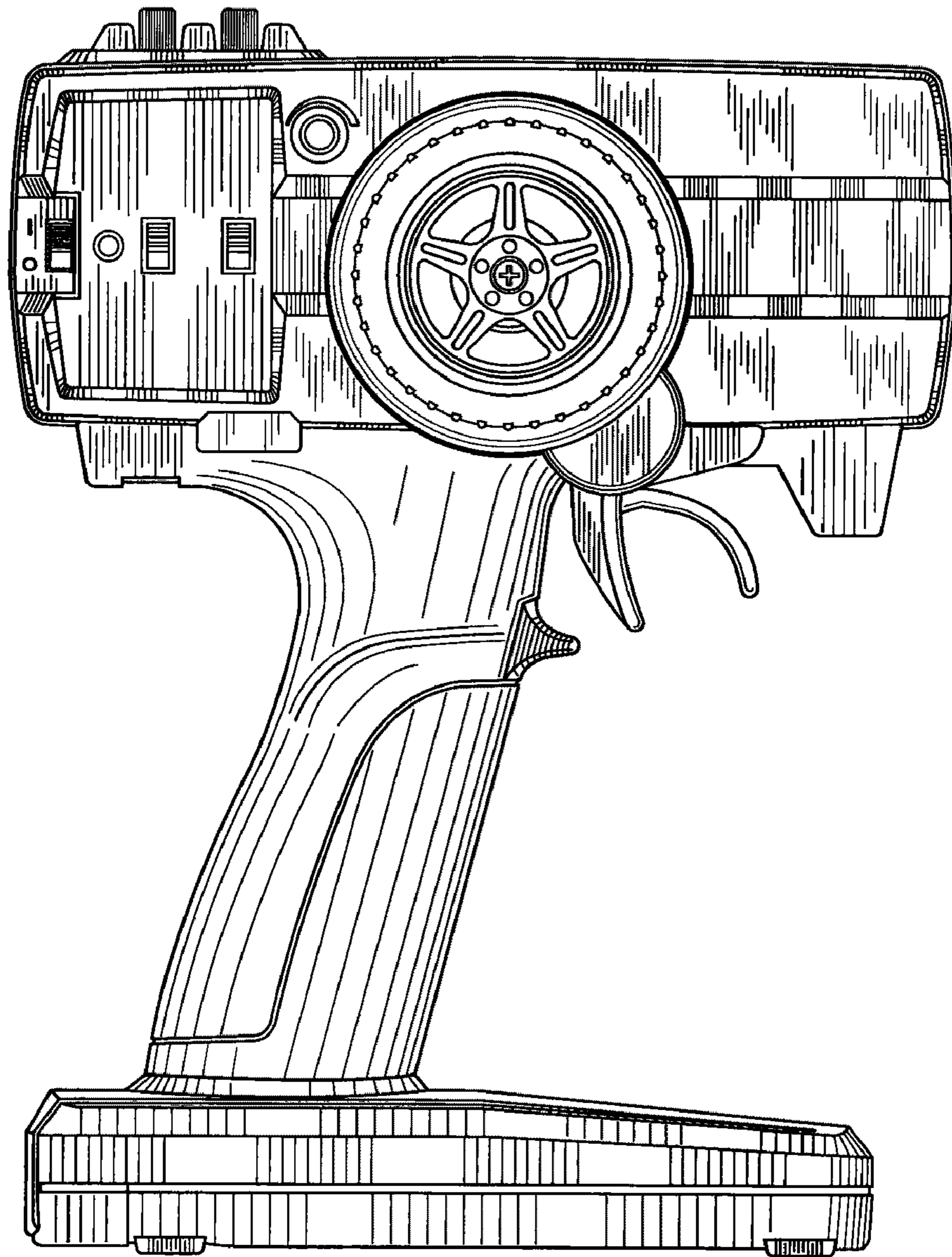
**FIG. 1**



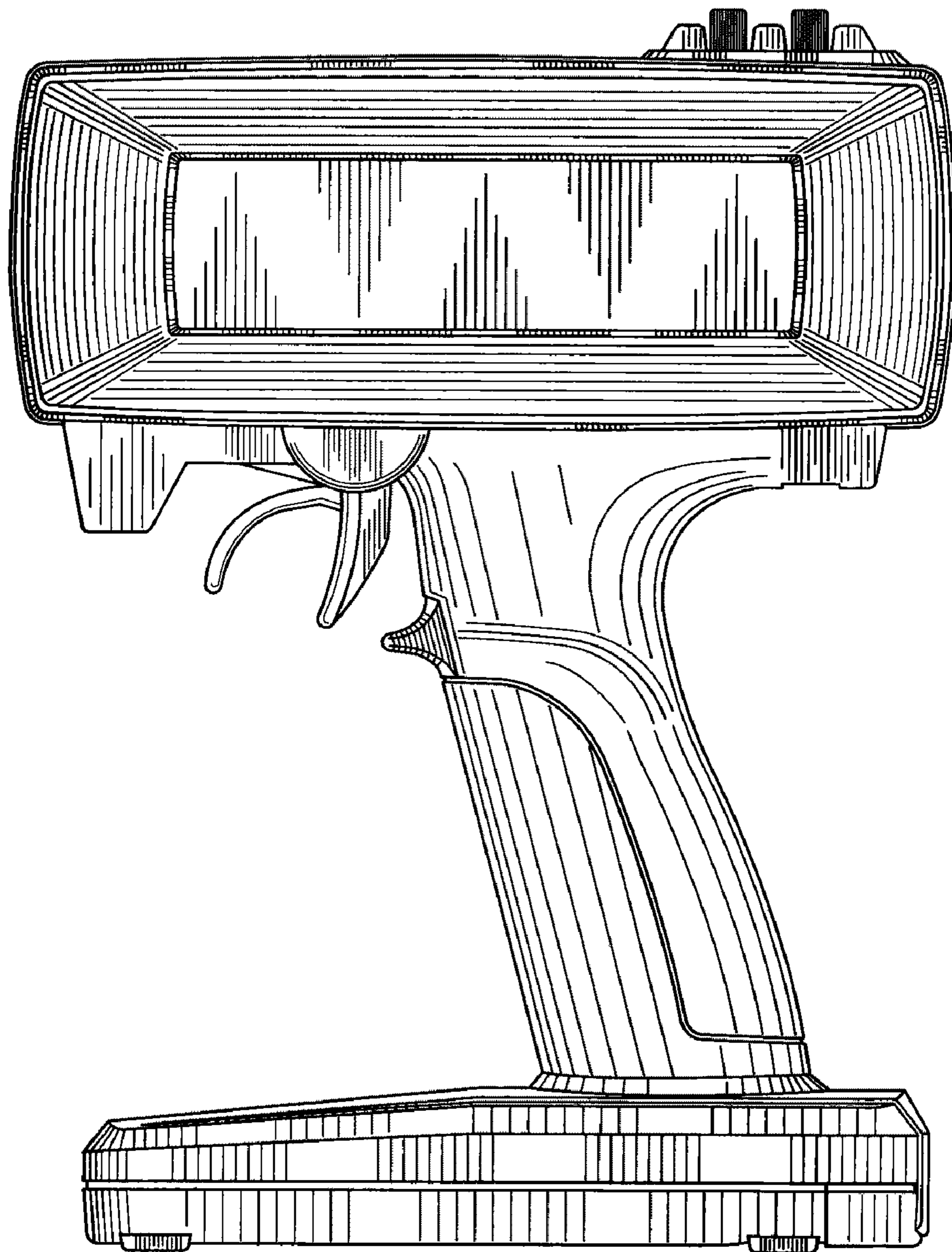
**FIG.2**



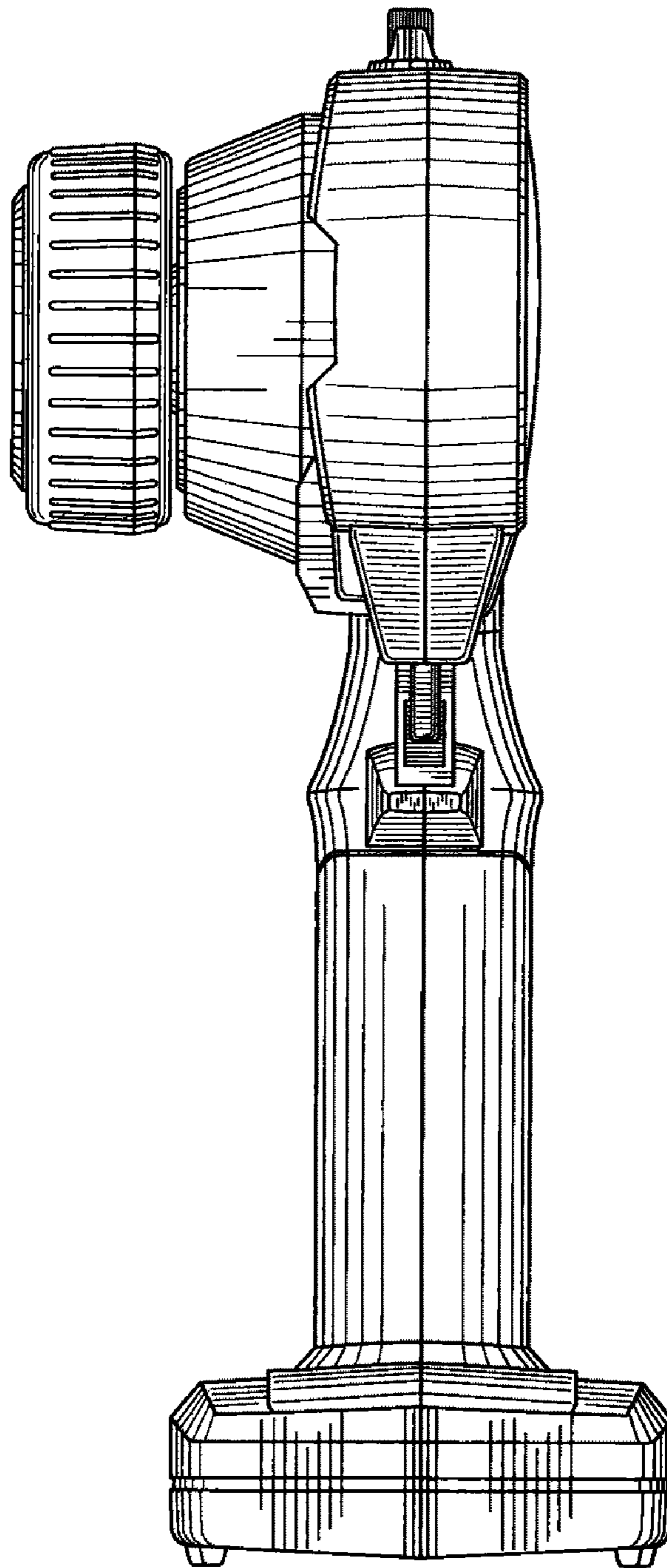
**FIG.3**



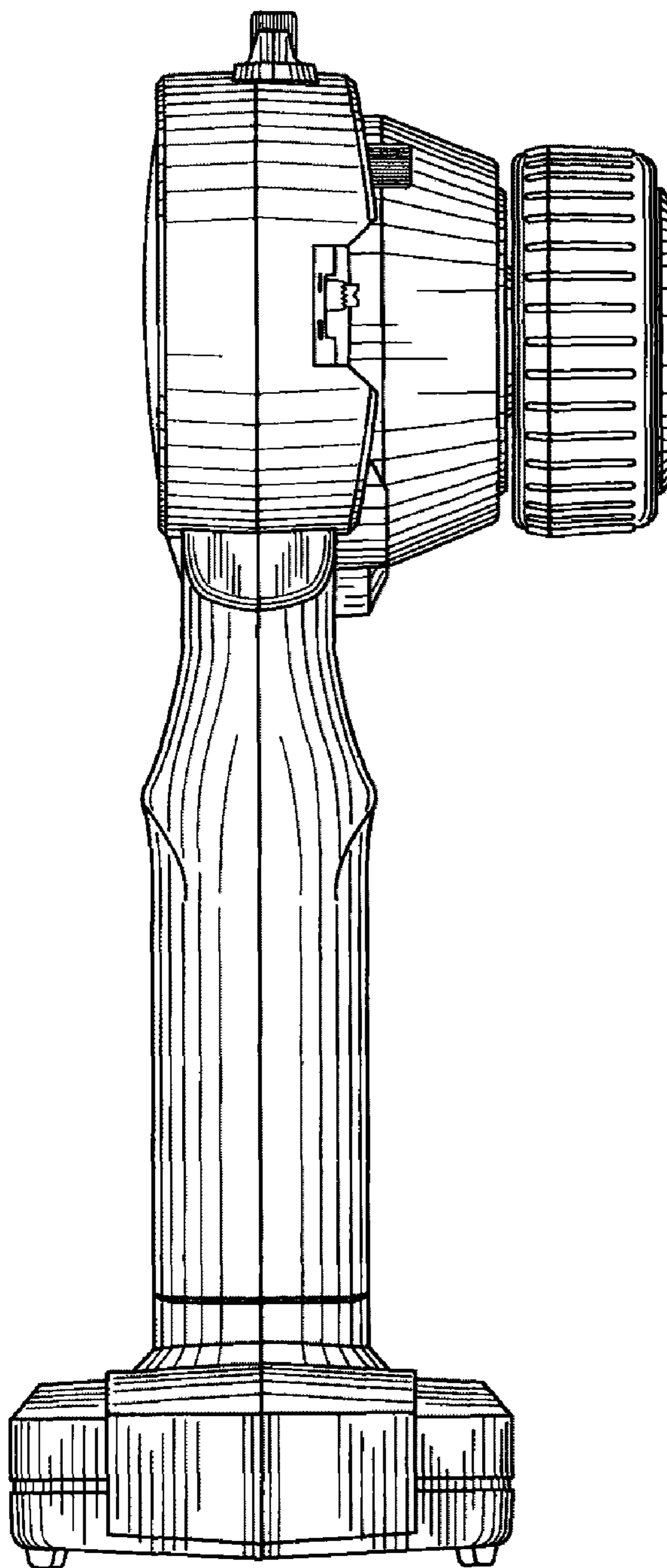
**FIG.4**



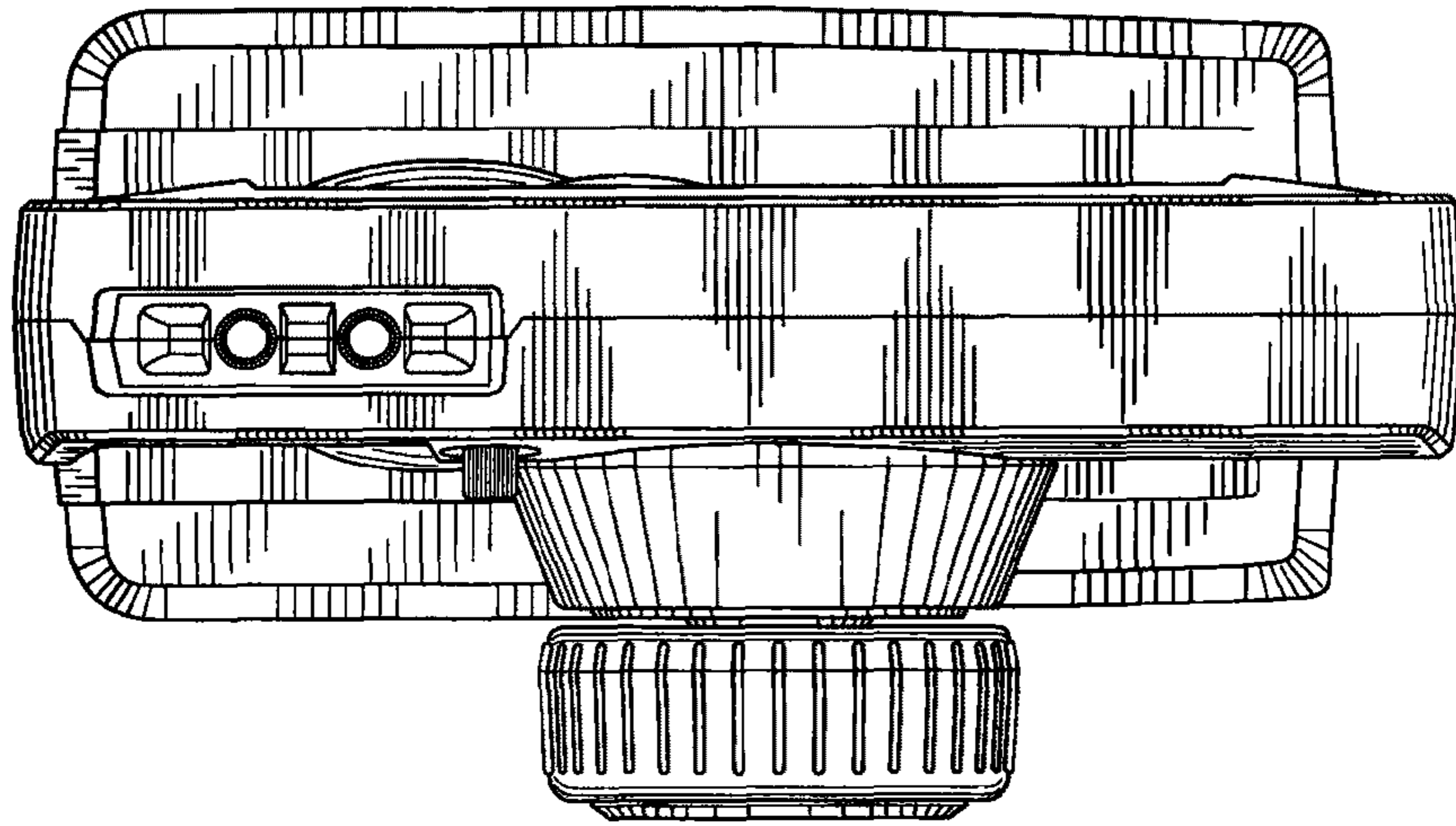
**FIG.5**



**FIG.6**



**FIG.7**



**FIG.8**

