



US00D650008S

(12) **United States Design Patent**  
**Zindl et al.**

(10) **Patent No.:** **US D650,008 S**

(45) **Date of Patent:** **\*\* Dec. 6, 2011**

(54) **HAND STAMP**

(75) Inventors: **Peter Zindl**, Marchtrenk (AT); **Markus Zehetner**, Linz (AT); **Volker Martin**, Linz (AT)

(73) Assignee: **Trodat GmbH** (AT)

(\*\*) Term: **14 Years**

(21) Appl. No.: **29/375,151**

(22) Filed: **Sep. 17, 2010**

(30) **Foreign Application Priority Data**

Mar. 19, 2010 (EM) ..... 001202998-0003

(51) **LOC (9) Cl.** ..... **19-02**

(52) **U.S. Cl.** ..... **D18/15**

(58) **Field of Classification Search** ..... D18/14,  
D18/15-21, 50, 51, 36; 400/88; 118/264,  
118/268; 101/333, 334, 327, 328, 405, 406,  
101/287; 347/109; 358/1.18

See application file for complete search history.

(56) **References Cited**

**U.S. PATENT DOCUMENTS**

6,058,840	A *	5/2000	Poplawski et al.	101/405
D447,766	S *	9/2001	Obara et al.	D18/14
D451,945	S *	12/2001	MacNeil et al.	D18/15
D497,936	S *	11/2004	Kida et al.	D18/15
6,945,172	B1 *	9/2005	Shih	101/333
D513,037	S *	12/2005	Faber	D18/15
D518,087	S *	3/2006	Shih	D18/15
D518,506	S *	4/2006	Faber	D18/15
7,066,089	B1 *	6/2006	Shih	101/334

7,069,852	B2 *	7/2006	Zindl et al.	101/334
D545,352	S *	6/2007	Treml	D18/15
D545,353	S *	6/2007	Treml	D18/15
D545,885	S *	7/2007	Faber	D18/15
D568,381	S *	5/2008	Shih	D18/15
7,389,727	B2 *	6/2008	Faber	101/334
D583,857	S *	12/2008	Shih	D18/15
7,464,643	B2 *	12/2008	Pointl	101/405
D584,340	S *	1/2009	Lee	D18/15
D585,087	S *	1/2009	Shih	D18/15
D585,933	S *	2/2009	Mita et al.	D18/18
D607,489	S *	1/2010	Kida et al.	D18/15
2007/0012206	A1 *	1/2007	Pointl	101/334
2007/0169650	A1 *	7/2007	Shih	101/333
2008/0148975	A1 *	6/2008	Faber	101/334
2011/0192299	A1 *	8/2011	Anthony	101/333

\* cited by examiner

*Primary Examiner* — Jeffrey D Asch

(74) *Attorney, Agent, or Firm* — Lerner, David, Littenberg, Krumholz & Mentlik, LLP

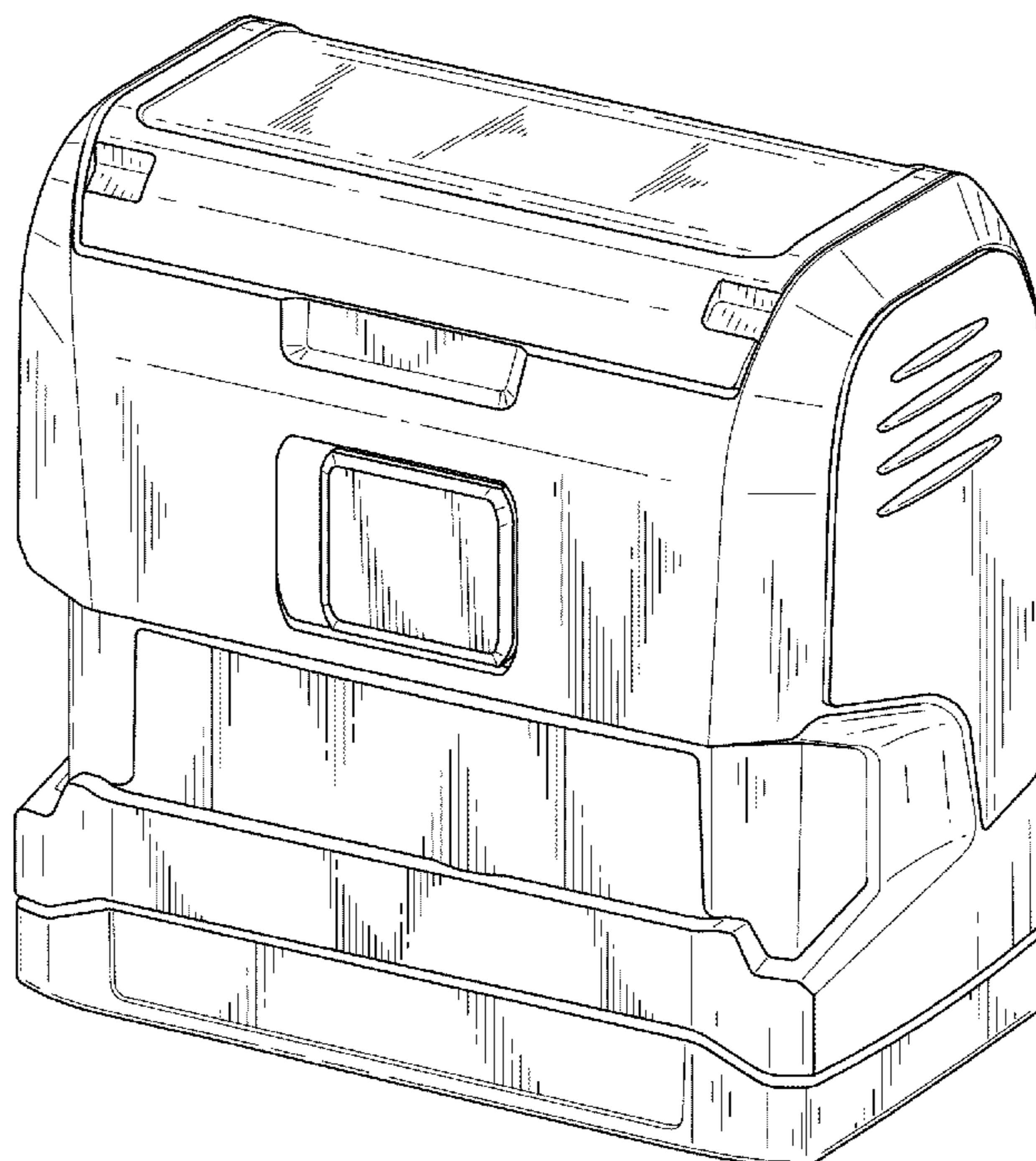
(57) **CLAIM**

The ornamental design for hand stamp, as shown and described.

**DESCRIPTION**

FIG. 1 is a front perspective view of our design for the hand stamp;  
FIG. 2 is a front elevational view thereof;  
FIG. 3 is a rear elevational view thereof;  
FIG. 4 is a left side view thereof (the right side being a mirror image of the left side view);  
FIG. 5 is a top plan view thereof; and,  
FIG. 6 is a bottom plan view thereof.

**1 Claim, 5 Drawing Sheets**



*FIG. 1*

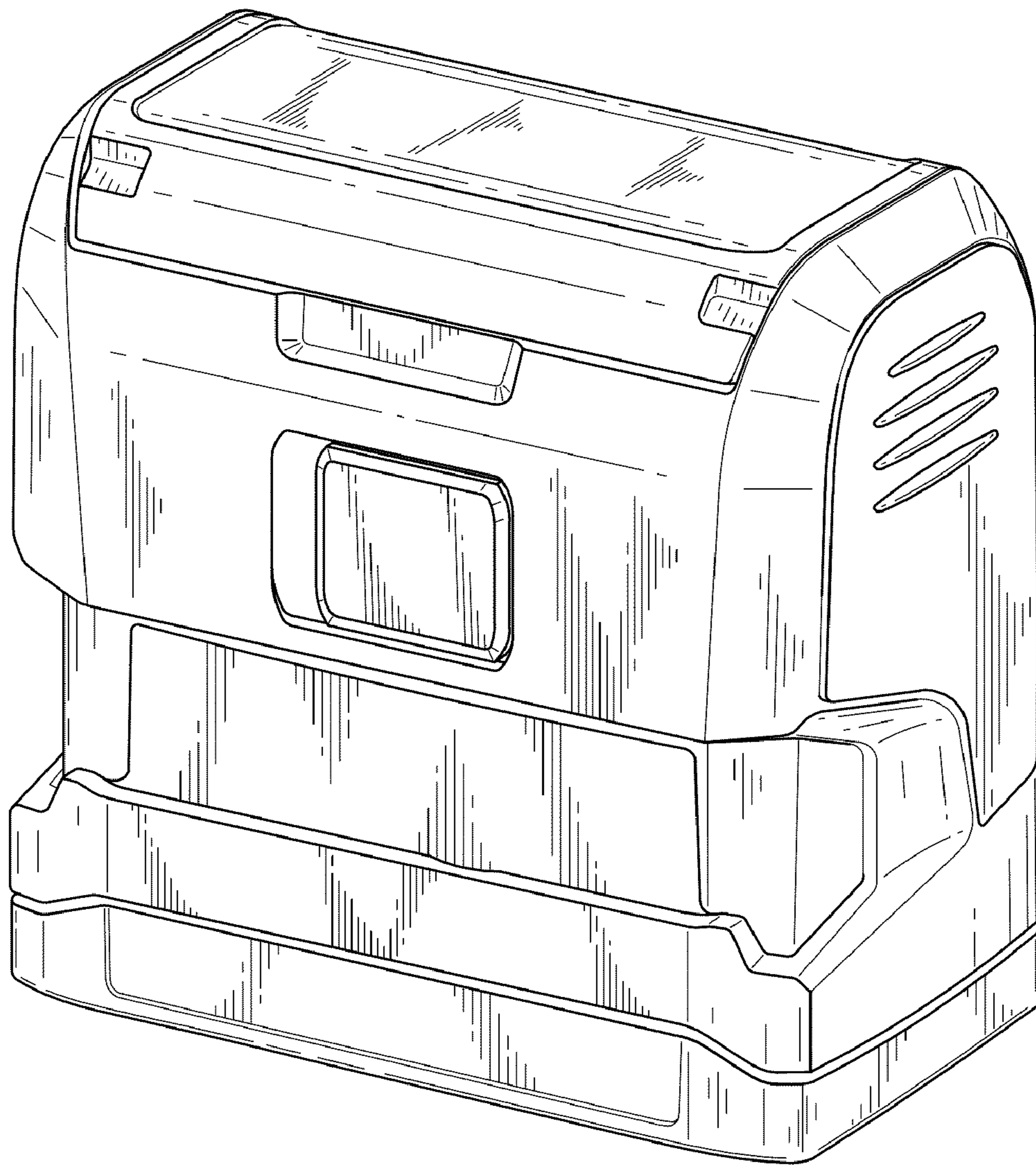
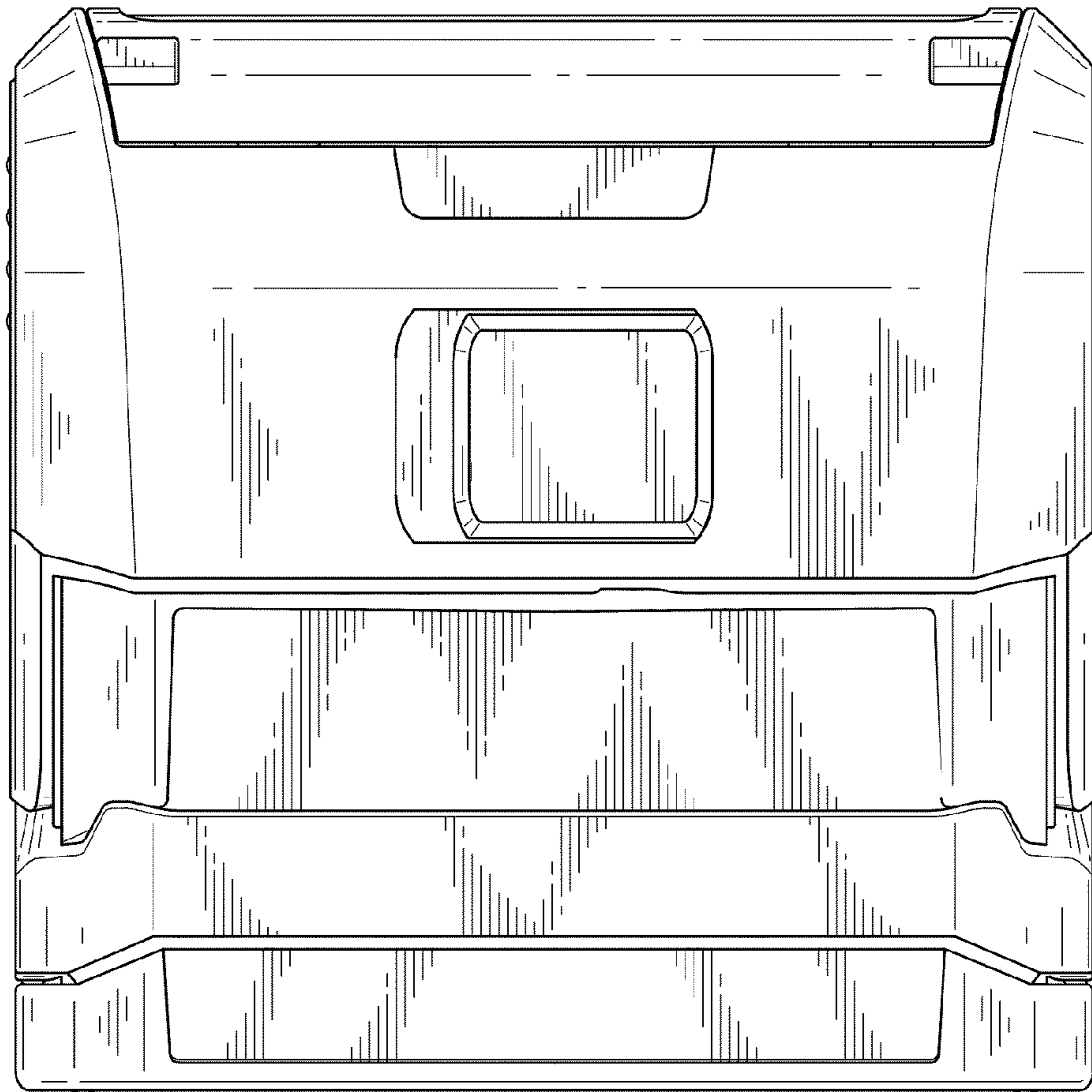
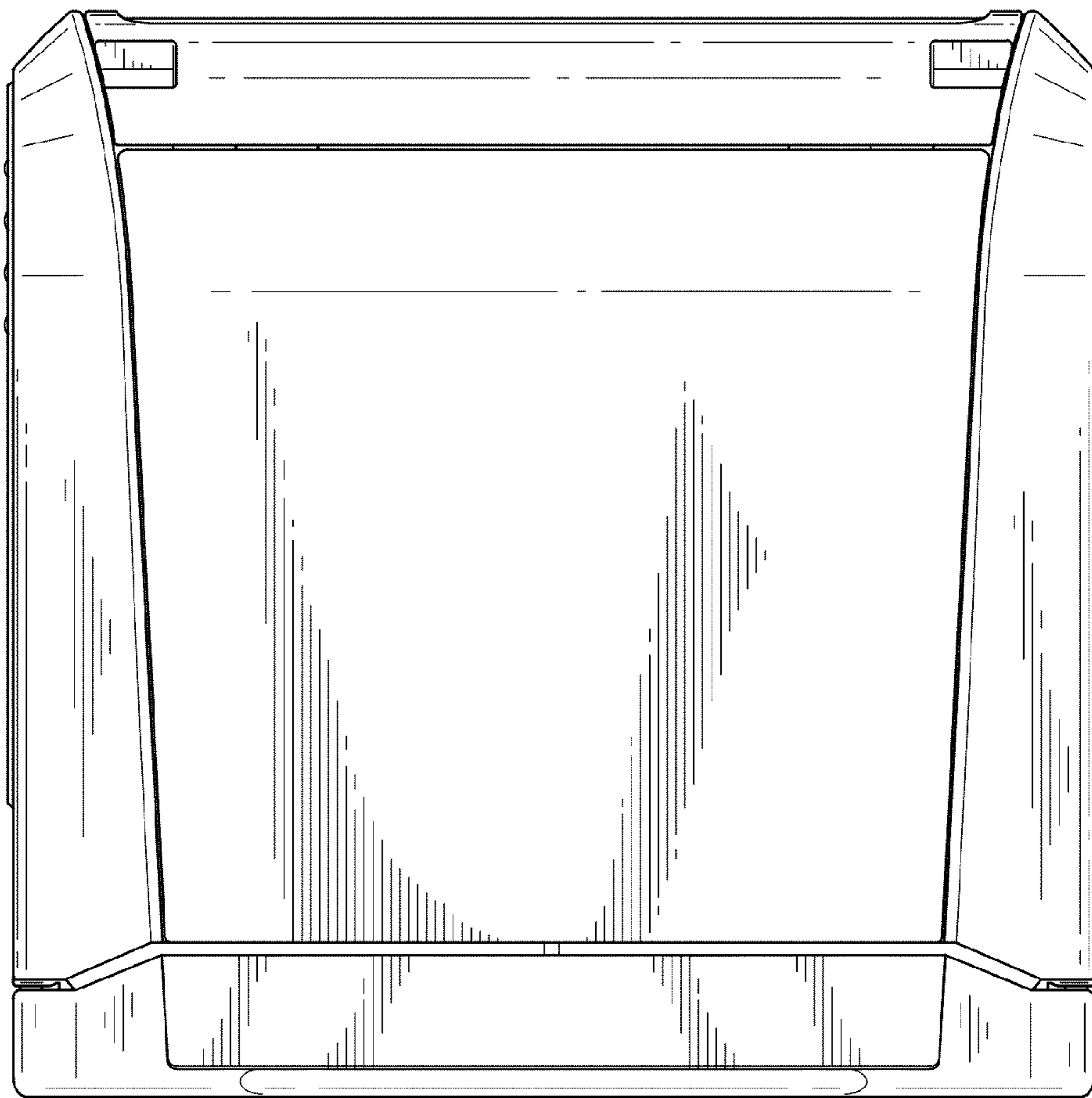


FIG. 2



*FIG. 3*



*FIG. 4*

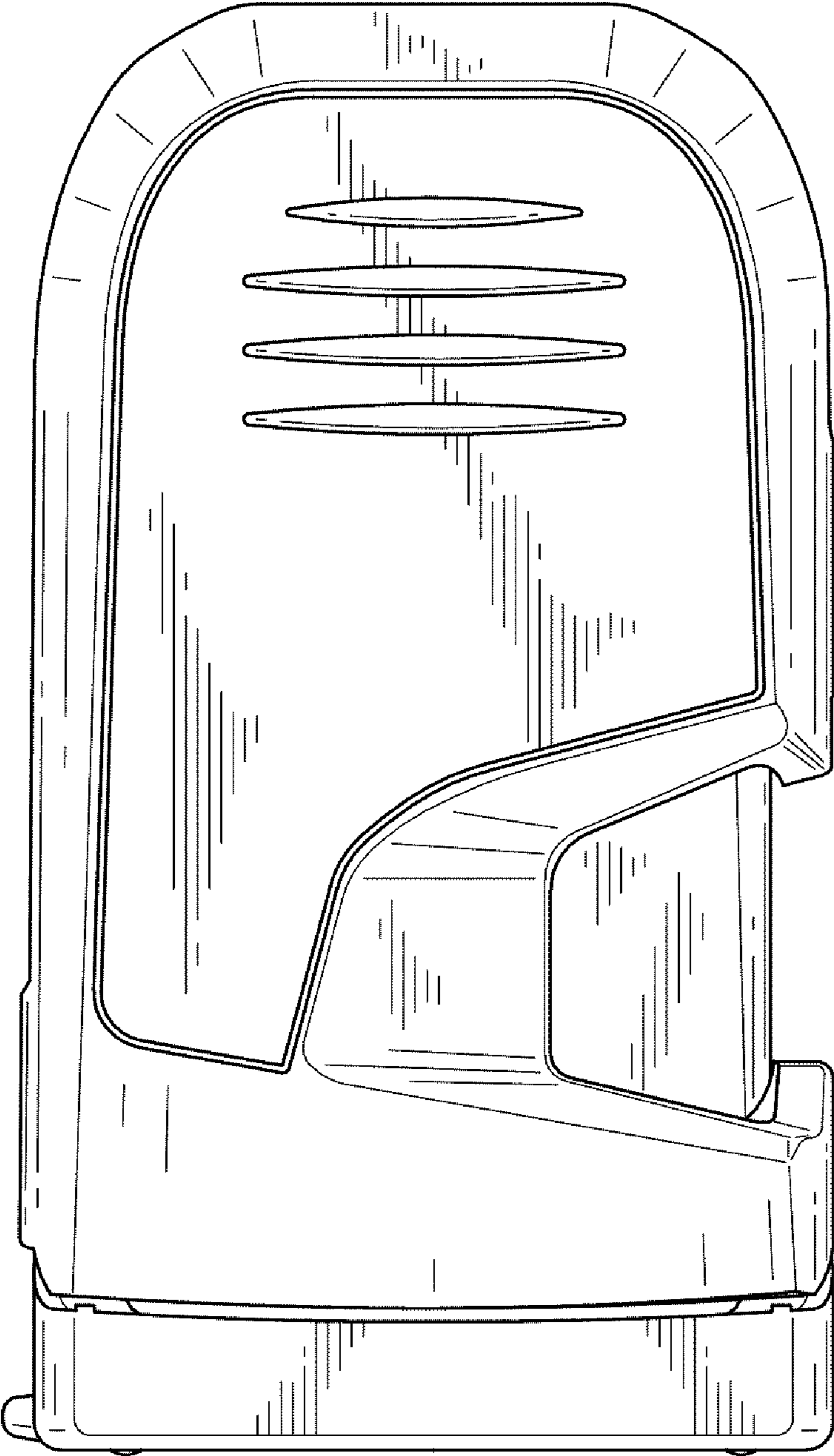


FIG. 5

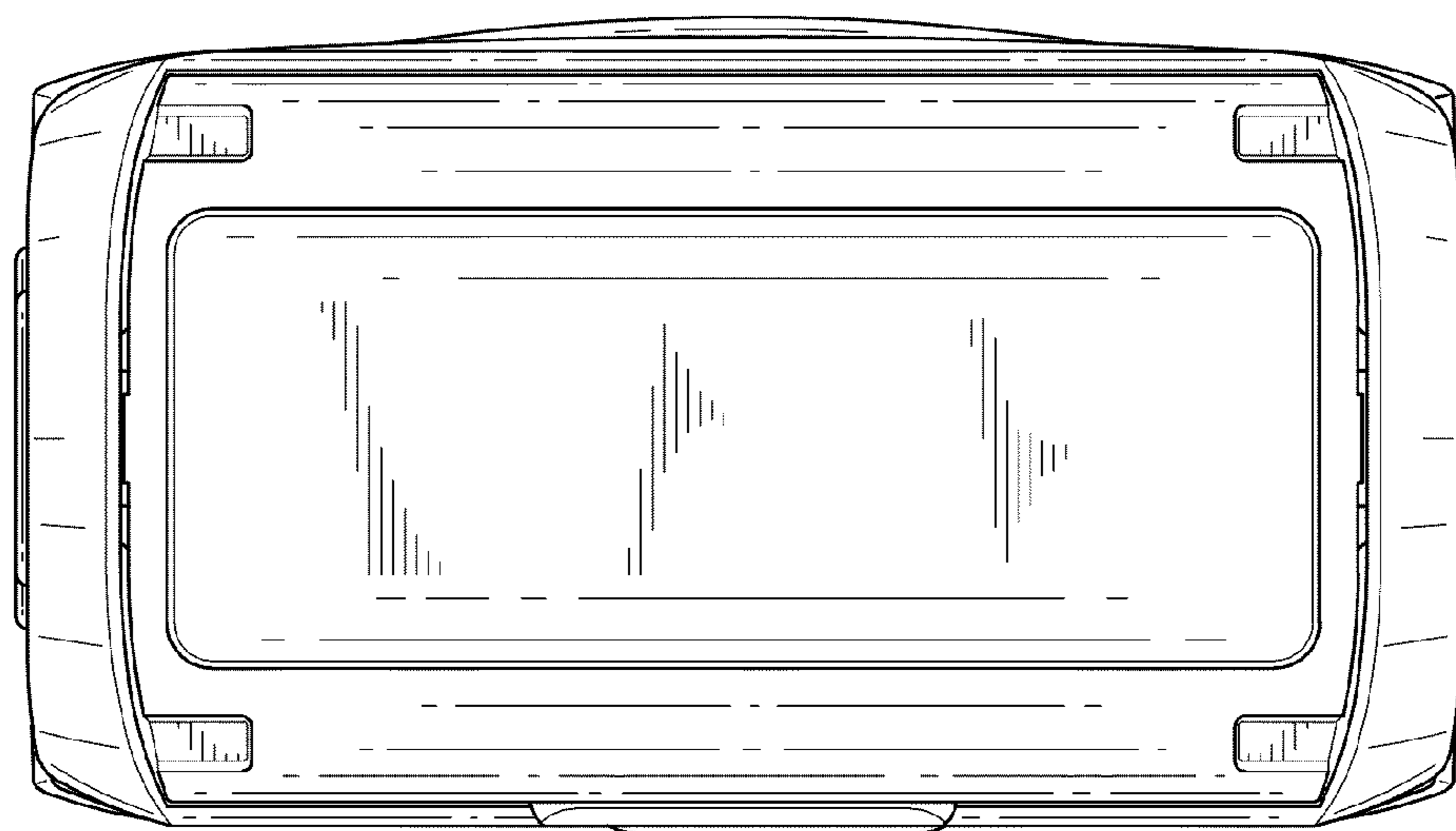


FIG. 6

