



US00D650000S

(12) **United States Design Patent**
Howard

(10) **Patent No.:** **US D650,000 S**

(45) **Date of Patent:** **** Dec. 6, 2011**

(54) **FLASH REFRACTOR**

(76) Inventor: **Johnny Howard**, Stone Mountain, GA
(US)

(**) Term: **14 Years**

(21) Appl. No.: **29/357,420**

(22) Filed: **Mar. 11, 2010**

(51) **LOC (9) Cl.** **16-05**

(52) **U.S. Cl.** **D16/239**

(58) **Field of Classification Search** D16/200,
D16/203, 208, 209, 237, 239, 245; D14/168;
348/373-376; 362/8, 16, 18; D26/52, 118-119,
D26/123, 131

See application file for complete search history.

(56) **References Cited**

U.S. PATENT DOCUMENTS

D312,471 S * 11/1990 Couch D16/239
D370,285 S * 5/1996 Widdup D26/52
D488,458 S * 4/2004 Marx D14/168

D546,358 S * 7/2007 Deguchi D16/203
7,360,909 B1 * 4/2008 Hughes 362/18
D605,217 S * 12/2009 Kobre D16/237

* cited by examiner

Primary Examiner — Nanda Bondade

(74) *Attorney, Agent, or Firm* — QuickPatents, Inc.; Kevin Prince

(57) **CLAIM**

What is claimed is the ornamental design for a flash refractor, as shown and described.

DESCRIPTION

FIG. 1 is a perspective view of a flash refractor, showing the new design;

FIG. 2 is a top plan view thereof; and

FIG. 3 is a front elevational view thereof;

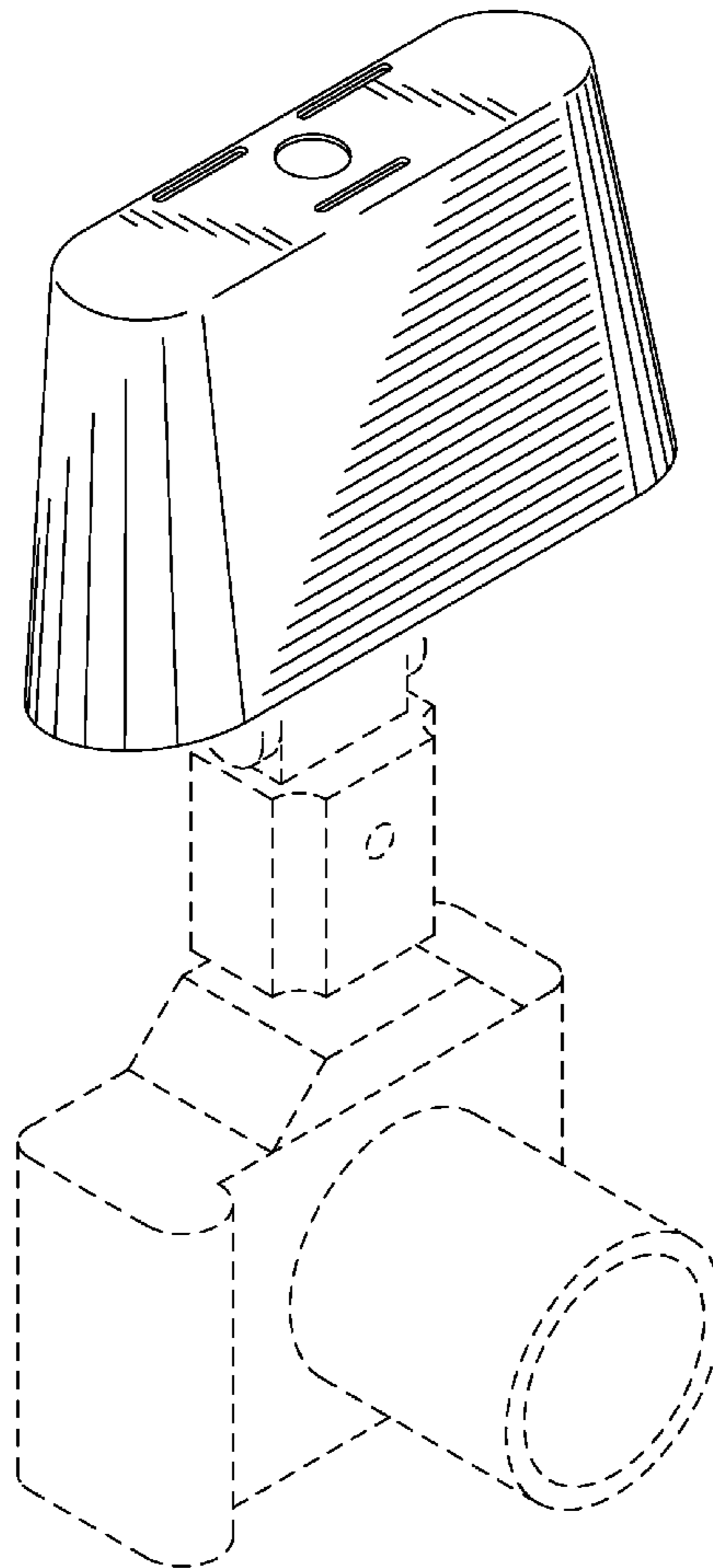
FIG. 4 is a right-side elevational view thereof, the left-side elevational view being a mirror image thereof;

FIG. 5 is a rear elevational view thereof; and,

FIG. 6 is a bottom plan view thereof.

The broken lines showing a camera in FIG. 1 are included for the purpose of illustrating the invention in use, and form no part of the claimed design.

1 Claim, 3 Drawing Sheets



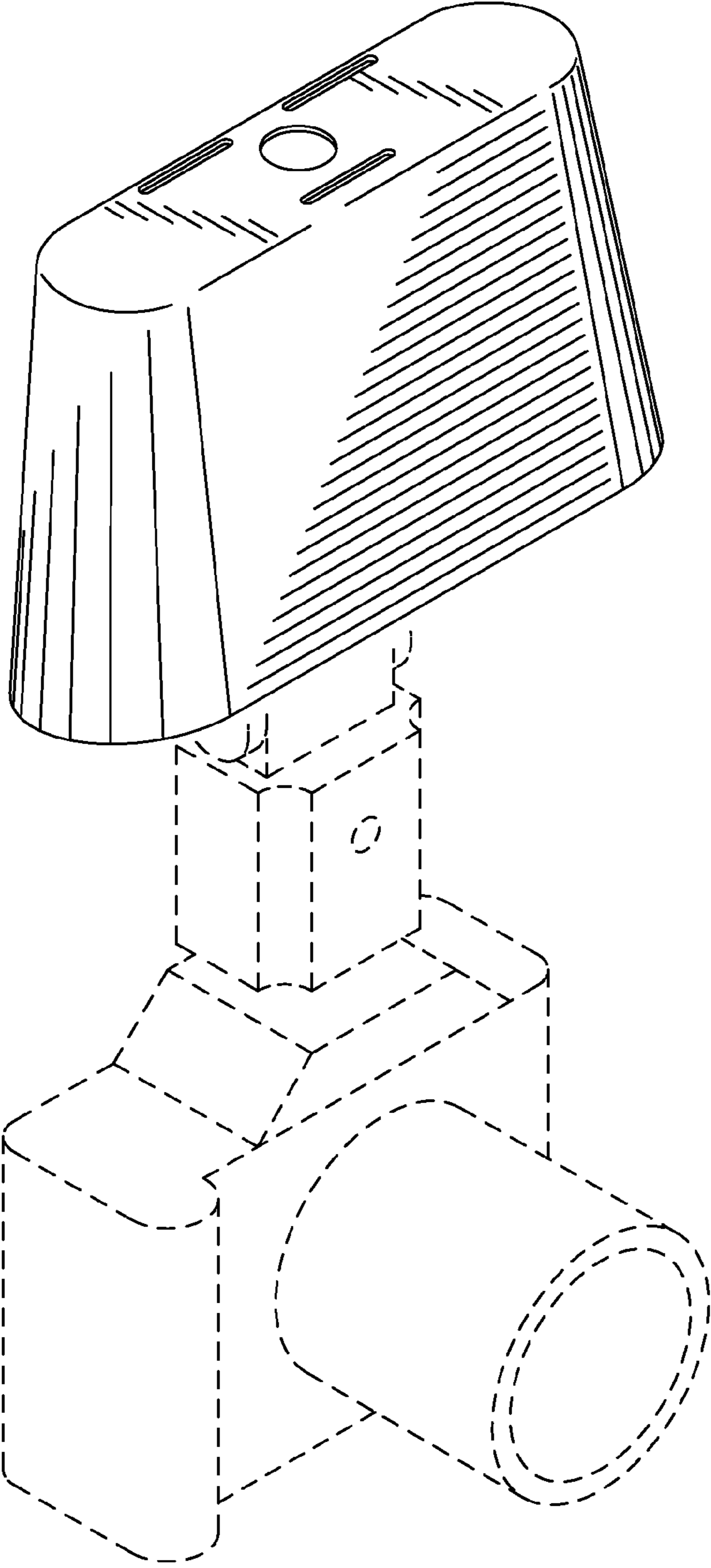


FIG. 1

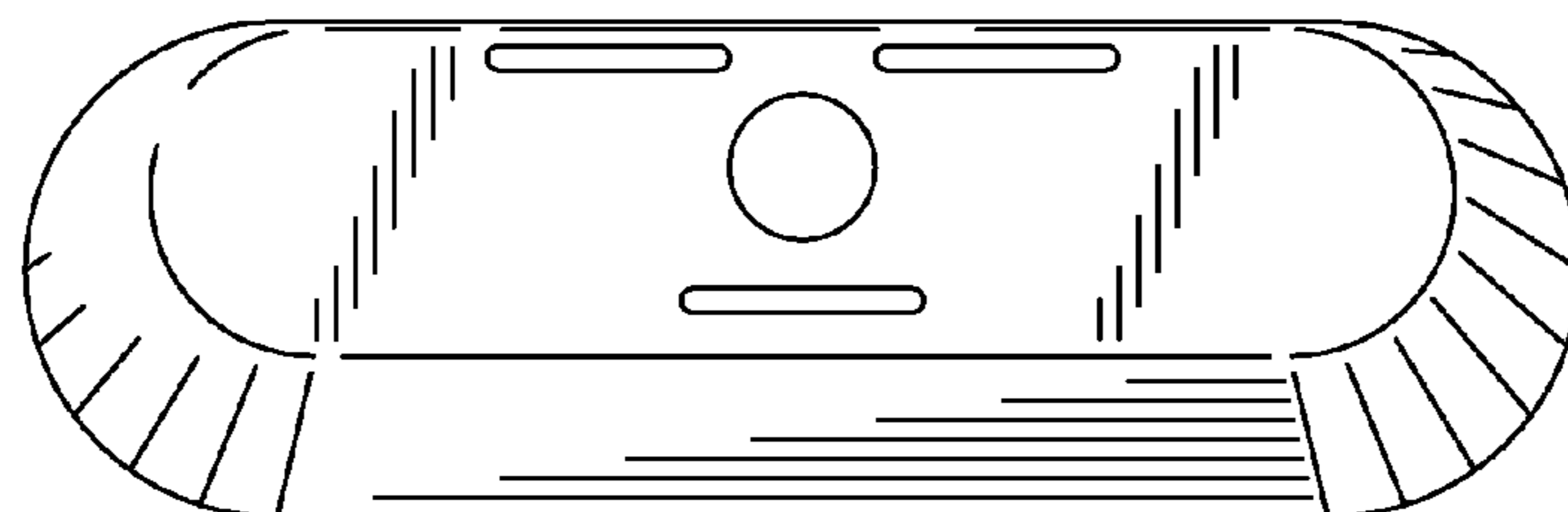


FIG. 2

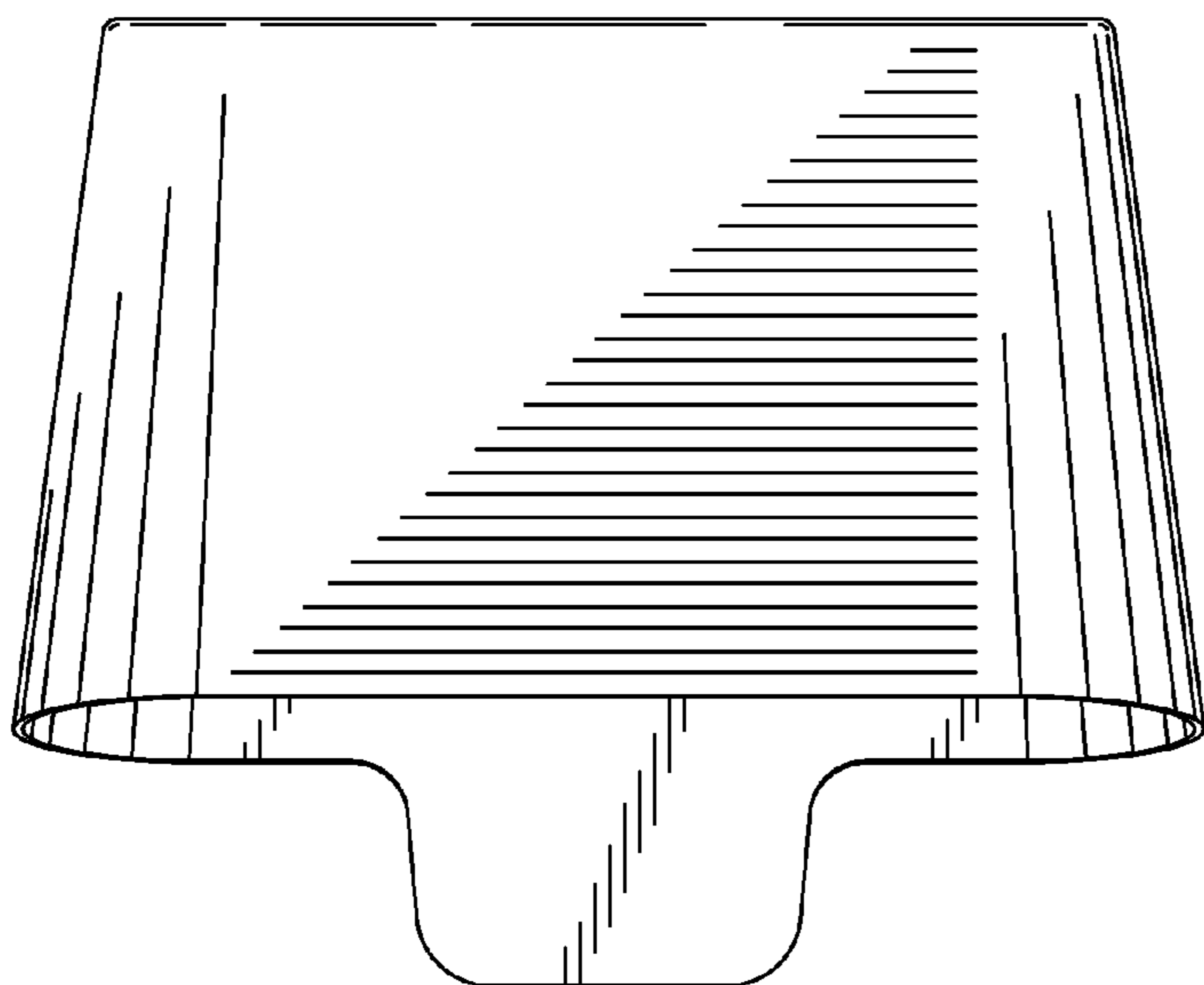


FIG. 3

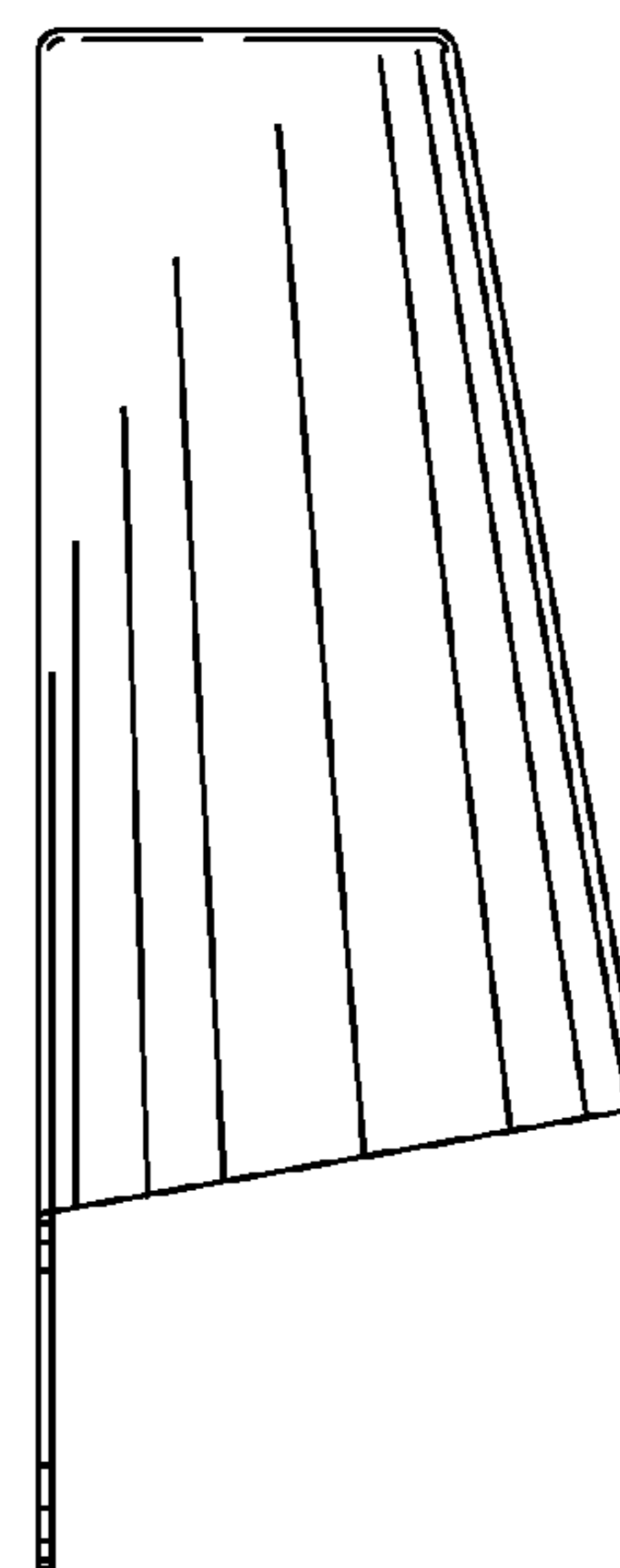


FIG. 4

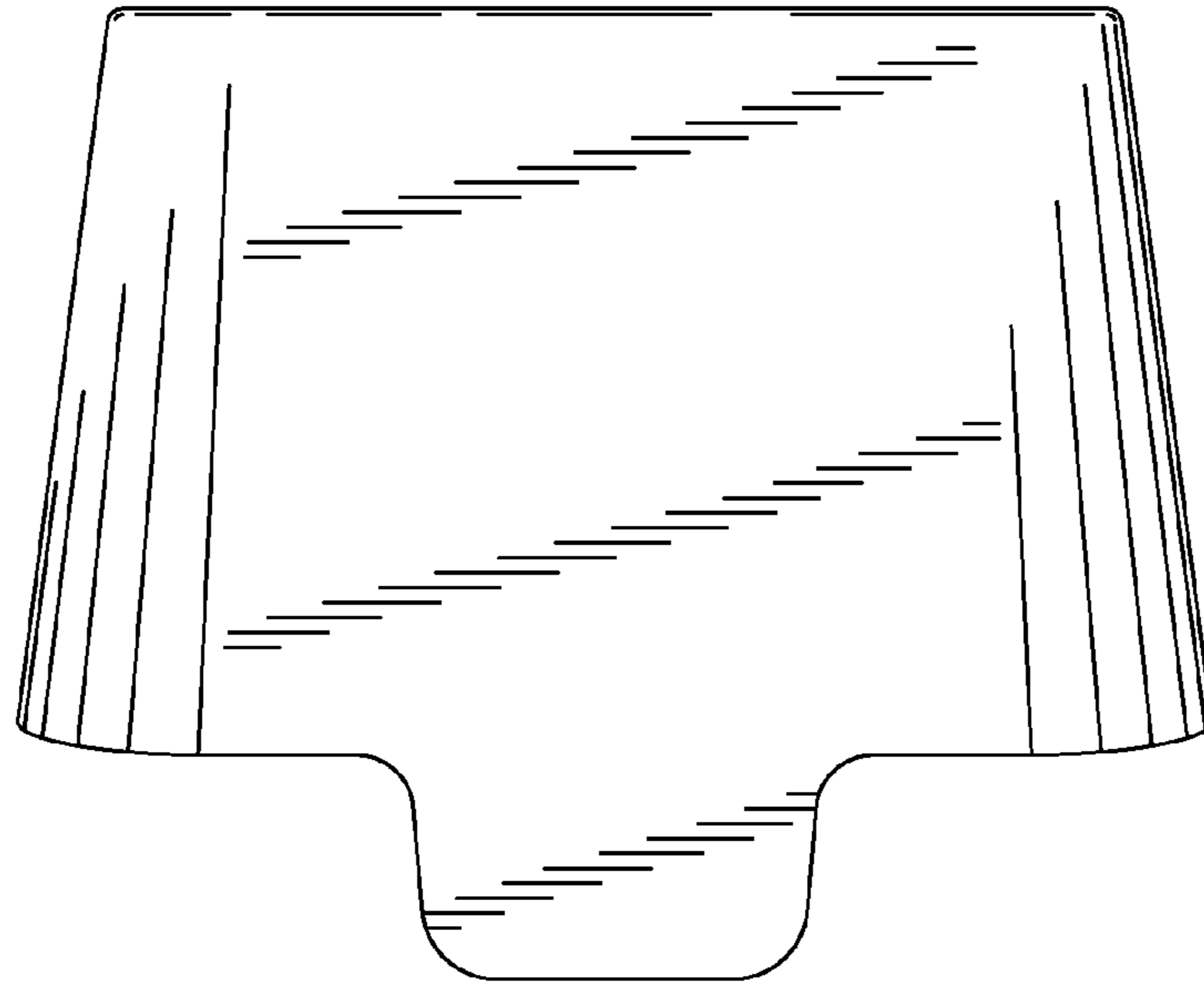


FIG. 5

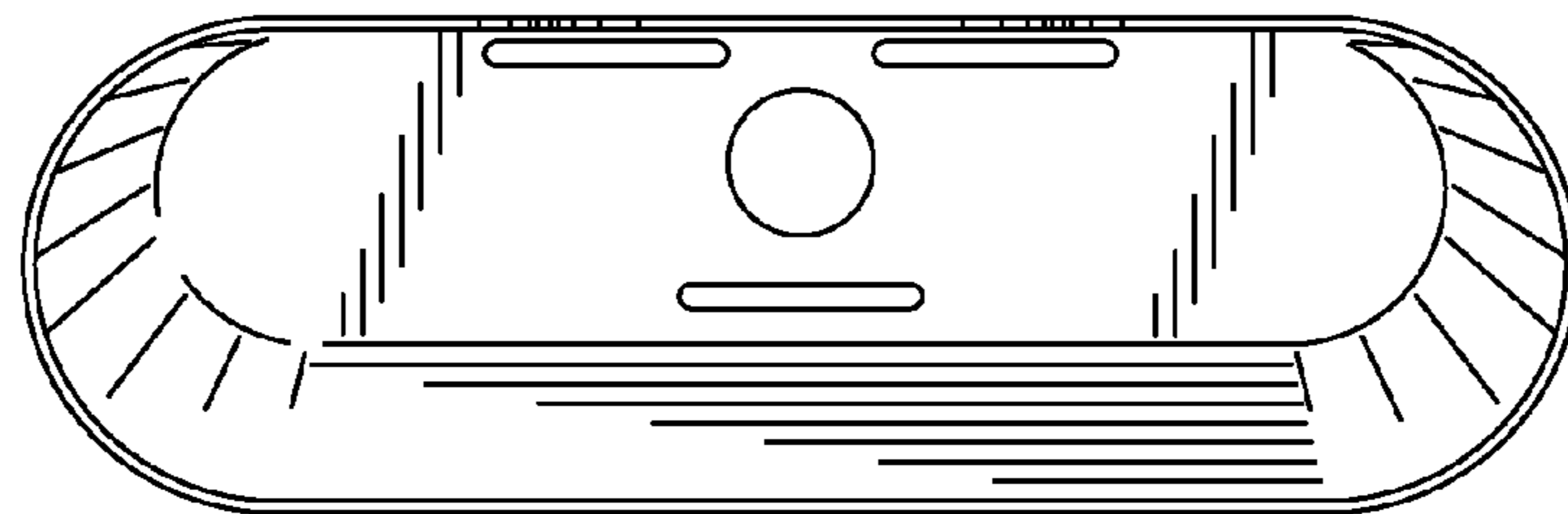


FIG. 6