



US00D649998S

(12) **United States Design Patent**
Huang

(10) **Patent No.:** **US D649,998 S**

(45) **Date of Patent:** **** Dec. 6, 2011**

(54) **UNIVERSAL JOINT FOR A PROJECTOR**

(76) Inventor: **Ming-Hsien Huang**, Taipei Hsien (TW)

(**) Term: **14 Years**

(21) Appl. No.: **29/369,522**

(22) Filed: **Sep. 9, 2010**

Related U.S. Application Data

(63) Continuation of application No. 29/366,527, filed on Jul. 27, 2010, now Pat. No. Des. 633,548.

(51) **LOC (9) Cl.** **16-02**

(52) **U.S. Cl.** **D16/235; D16/242**

(58) **Field of Classification Search** D16/235, D16/242, 245; D8/349, 254–355, 373; D14/447, D14/451; 353/119; 352/243; 248/176.1, 248/176.3, 177.1, 221.11, 217, 344, 519, 248/523, 205.1, 346.07, 310, 323, 514, 324
See application file for complete search history.

(56) **References Cited**

U.S. PATENT DOCUMENTS

4,566,664 A * 1/1986 Donald 248/418
5,551,658 A * 9/1996 Dittmer 248/329
6,042,068 A * 3/2000 Tcherny 248/221.11
D514,612 S * 2/2006 Boele D16/235
7,156,359 B2 * 1/2007 Dittmer et al. 248/551

D559,657 S * 1/2008 Wohlford et al. D8/354
D560,669 S * 1/2008 Muday et al. D14/451
D625,750 S * 10/2010 Dittmer D16/235
7,891,624 B2 * 2/2011 Dittmer et al. 248/323
D633,548 S * 3/2011 Huang D16/235
D634,770 S * 3/2011 Dittmer D16/235
2009/0294619 A1 * 12/2009 David 248/324

FOREIGN PATENT DOCUMENTS

JP D1301704 * 5/2007

* cited by examiner

Primary Examiner — Wan Laymon

(74) *Attorney, Agent, or Firm* — Sheridan Ross P.C.

(57) **CLAIM**

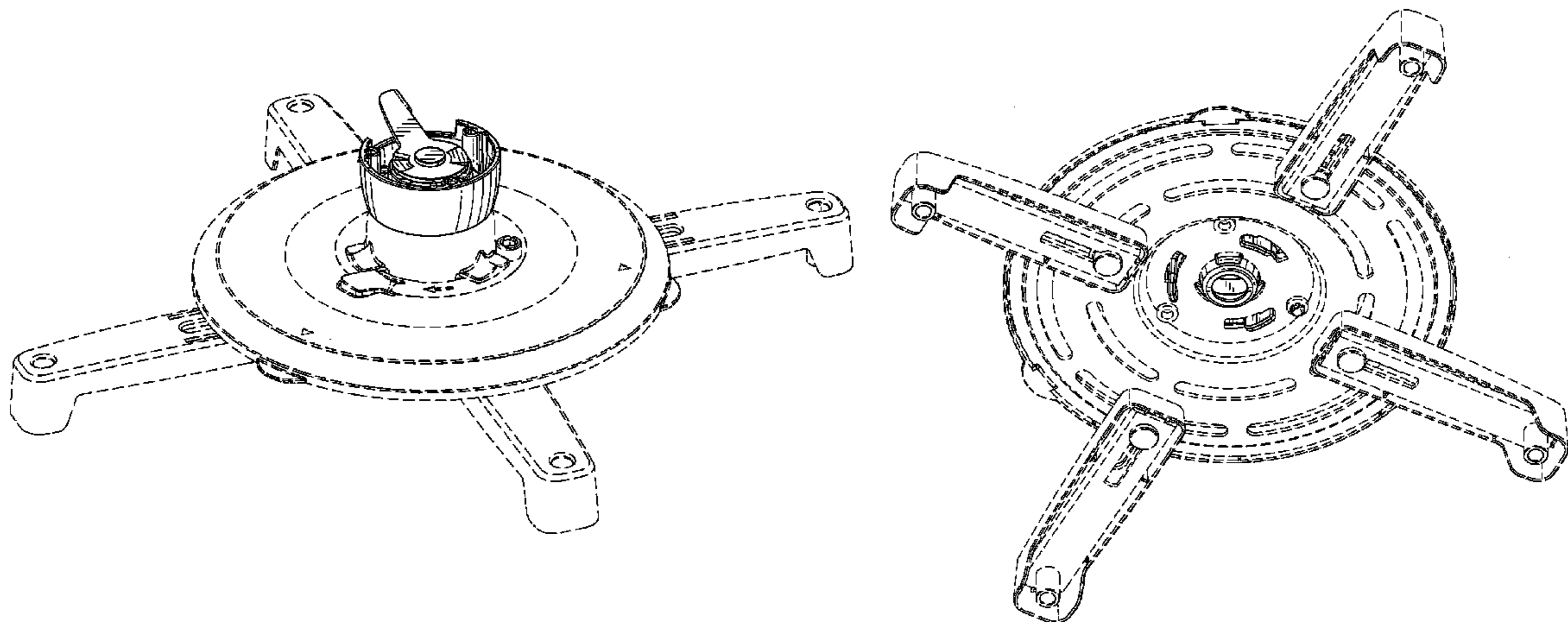
The ornamental design for a universal joint for a projector, as shown and described.

DESCRIPTION

FIG. 1 is a top perspective view of a universal joint for a projector showing my new design;
FIG. 2 is a front elevational view thereof;
FIG. 3 is a rear elevational view thereof;
FIG. 4 is a left side elevational view thereof;
FIG. 5 is a right side elevational view thereof;
FIG. 6 is a top plan view thereof;
FIG. 7 is a bottom plan view thereof; and,
FIG. 8 is a bottom perspective view thereof.

The portions shown in dashed lines in FIGS. 1-8 represent environment and do not form any part of the claimed design.

1 Claim, 7 Drawing Sheets



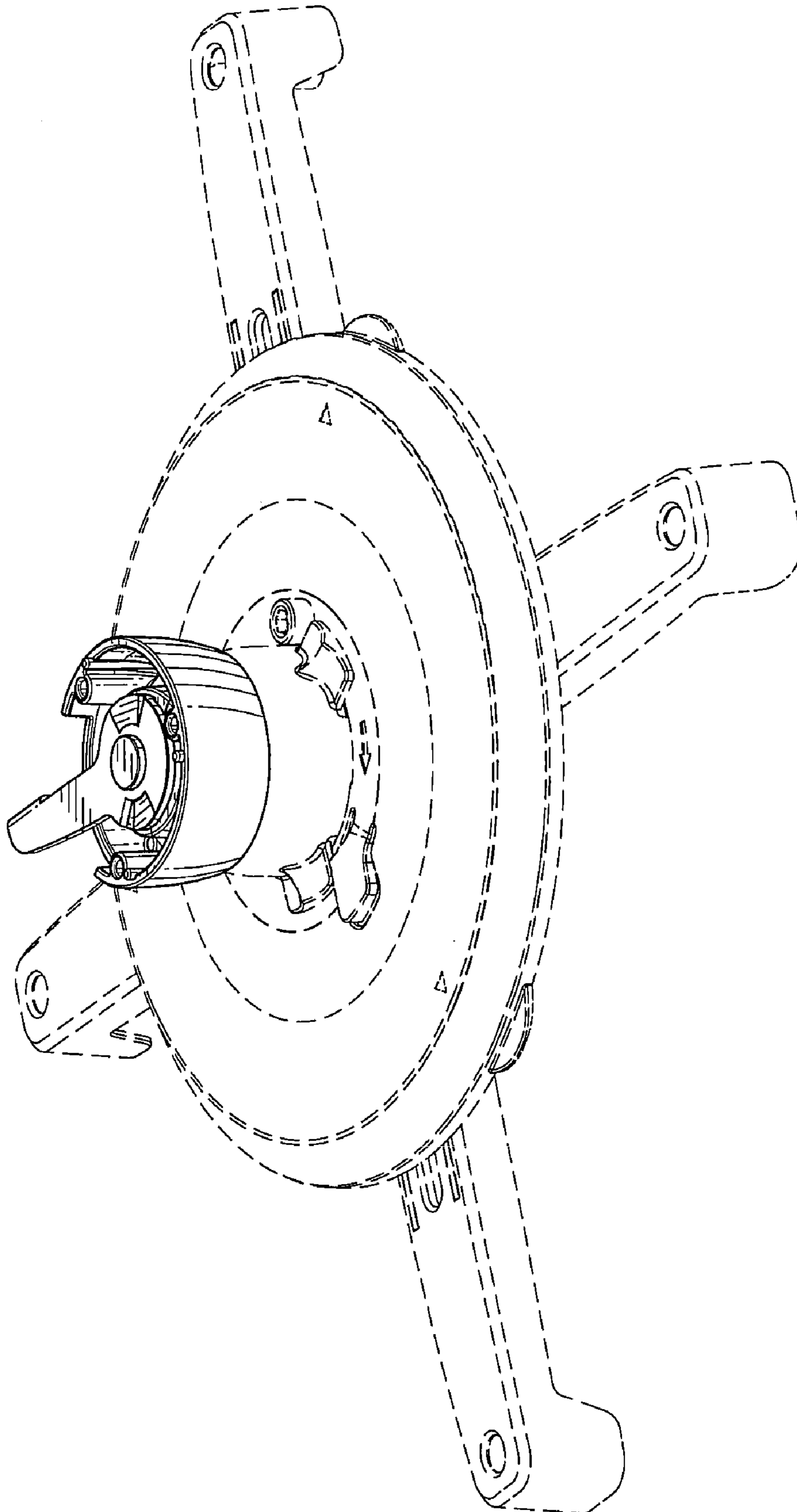


FIG. 1

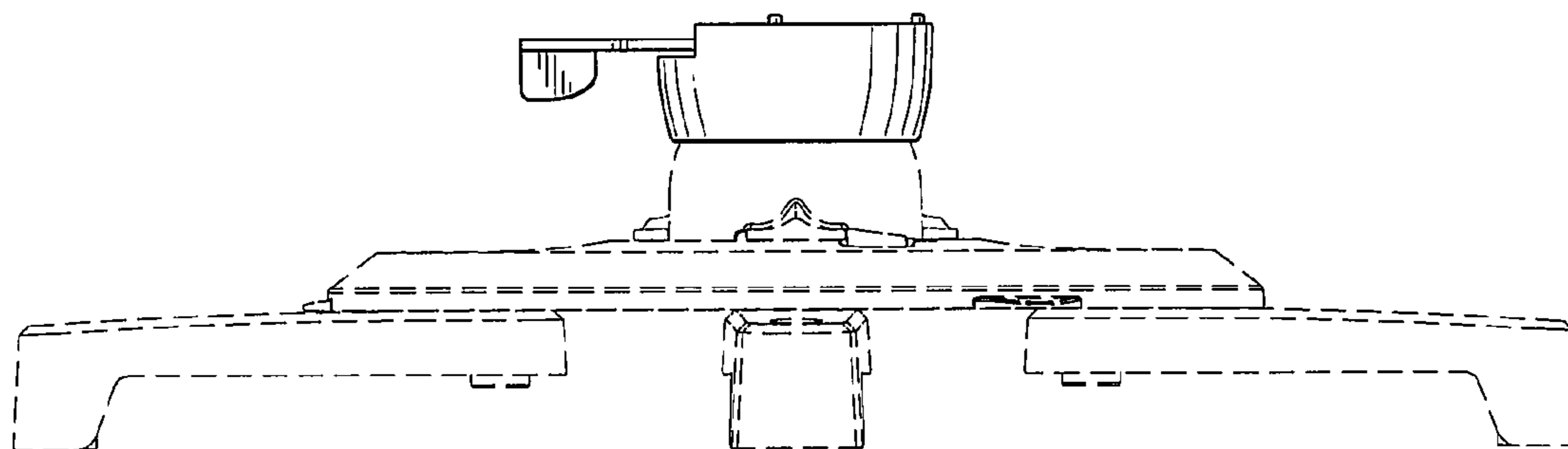


FIG. 2

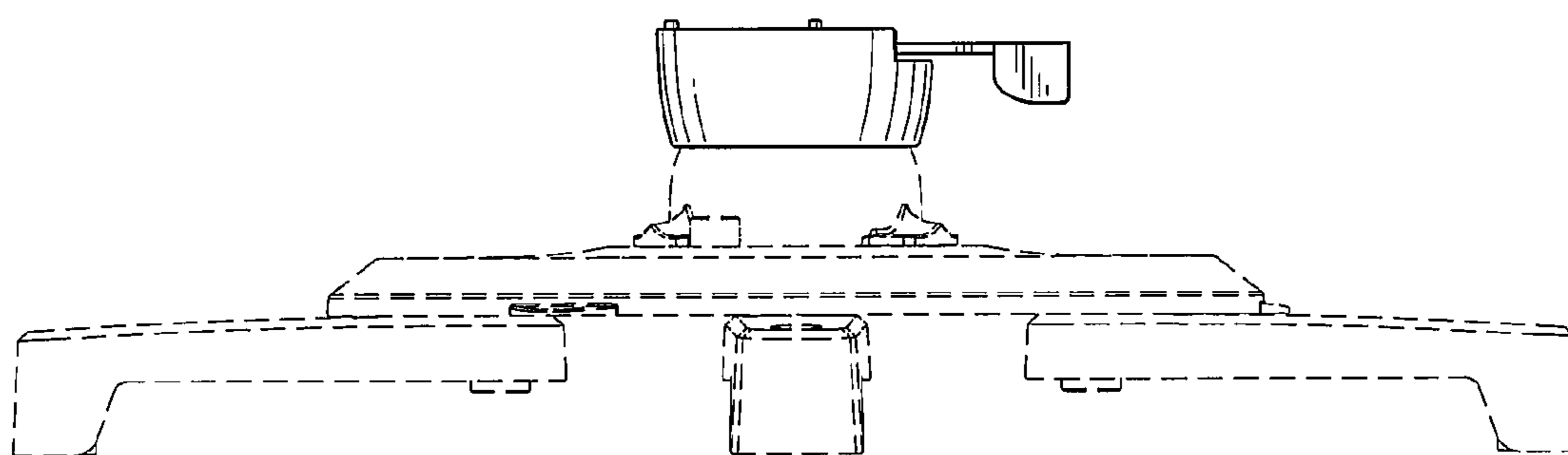


FIG. 3

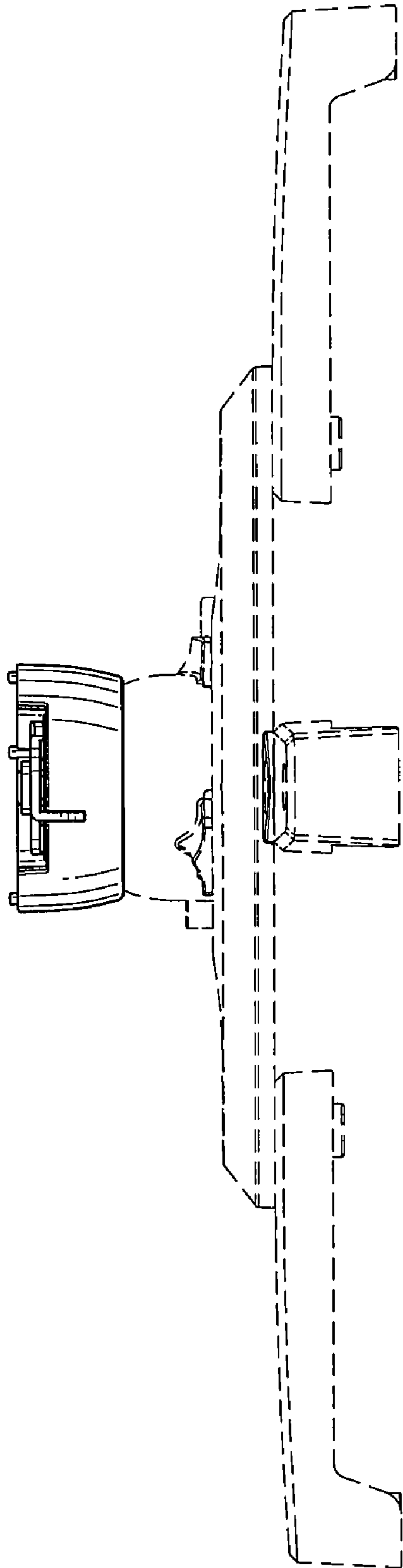


FIG. 4

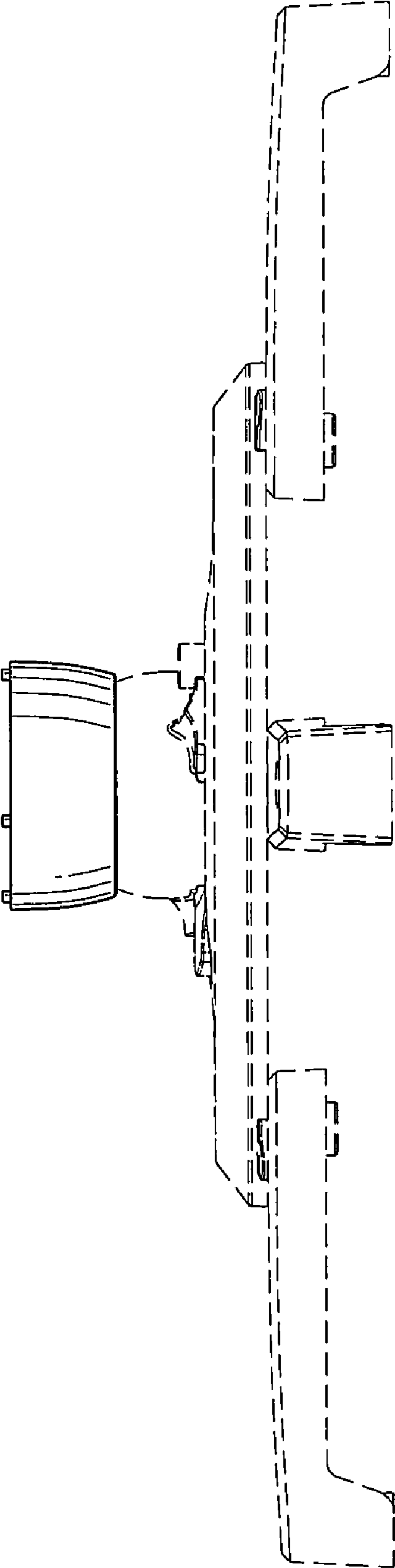


FIG. 5

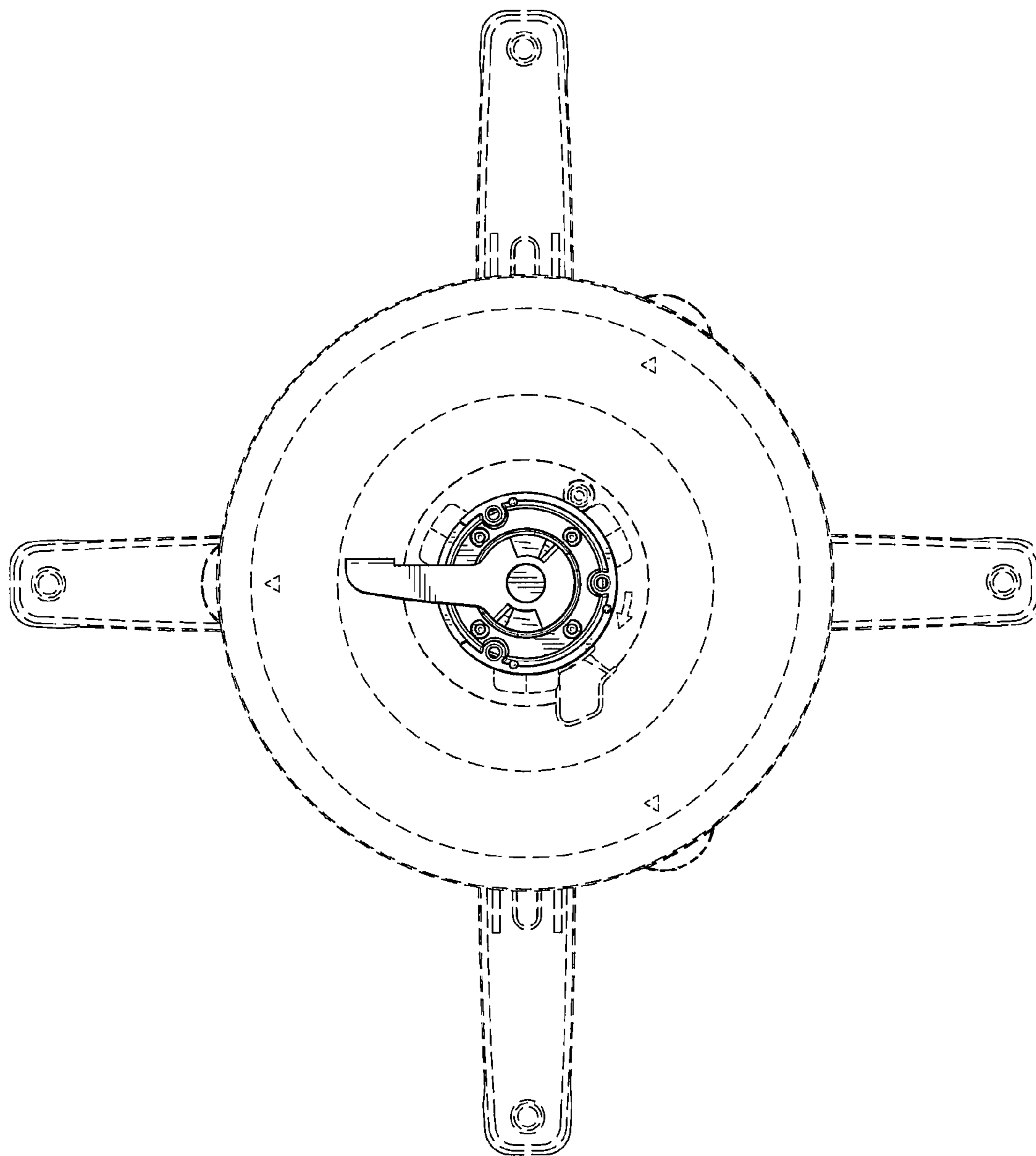


FIG. 6

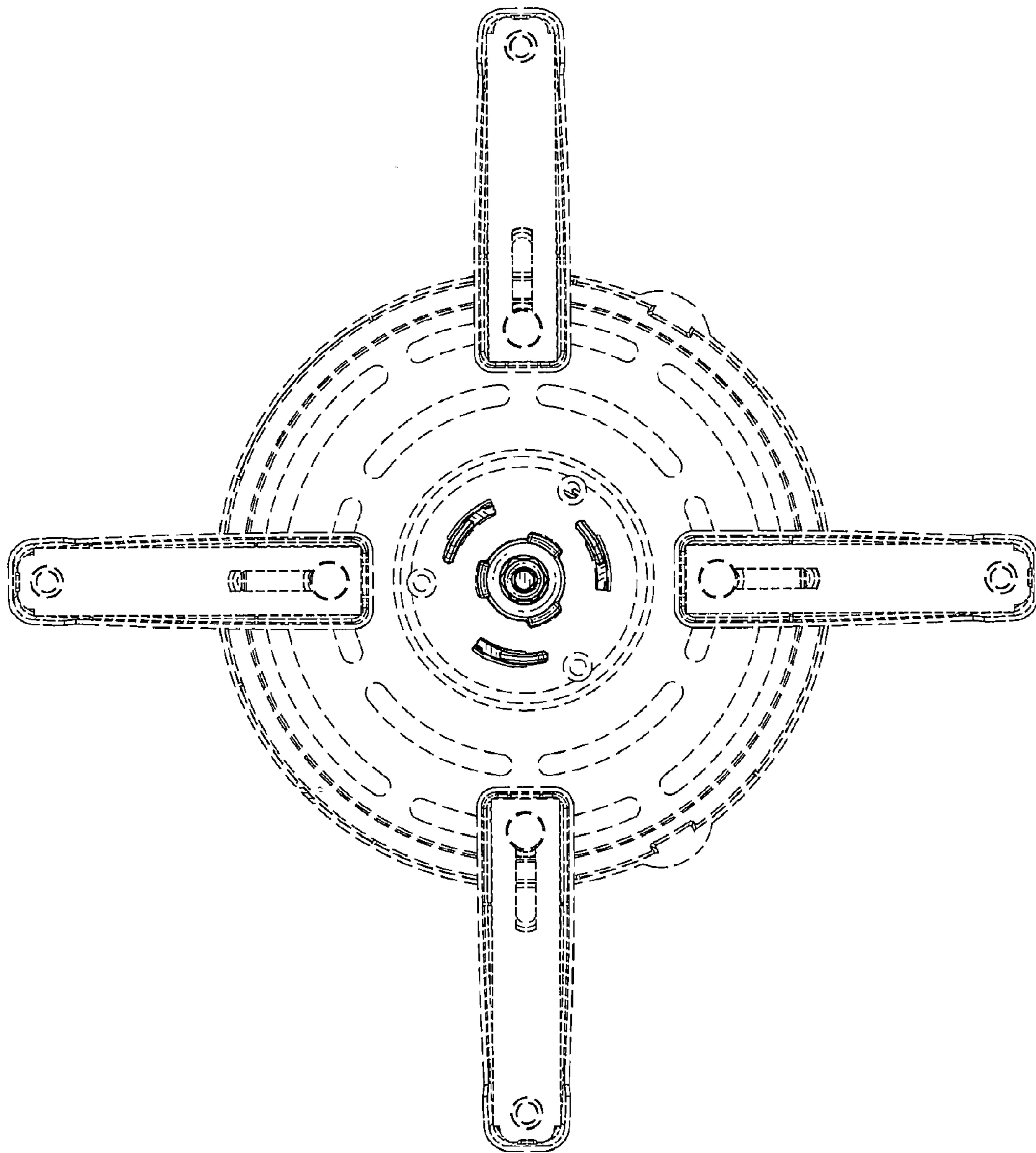


FIG. 7

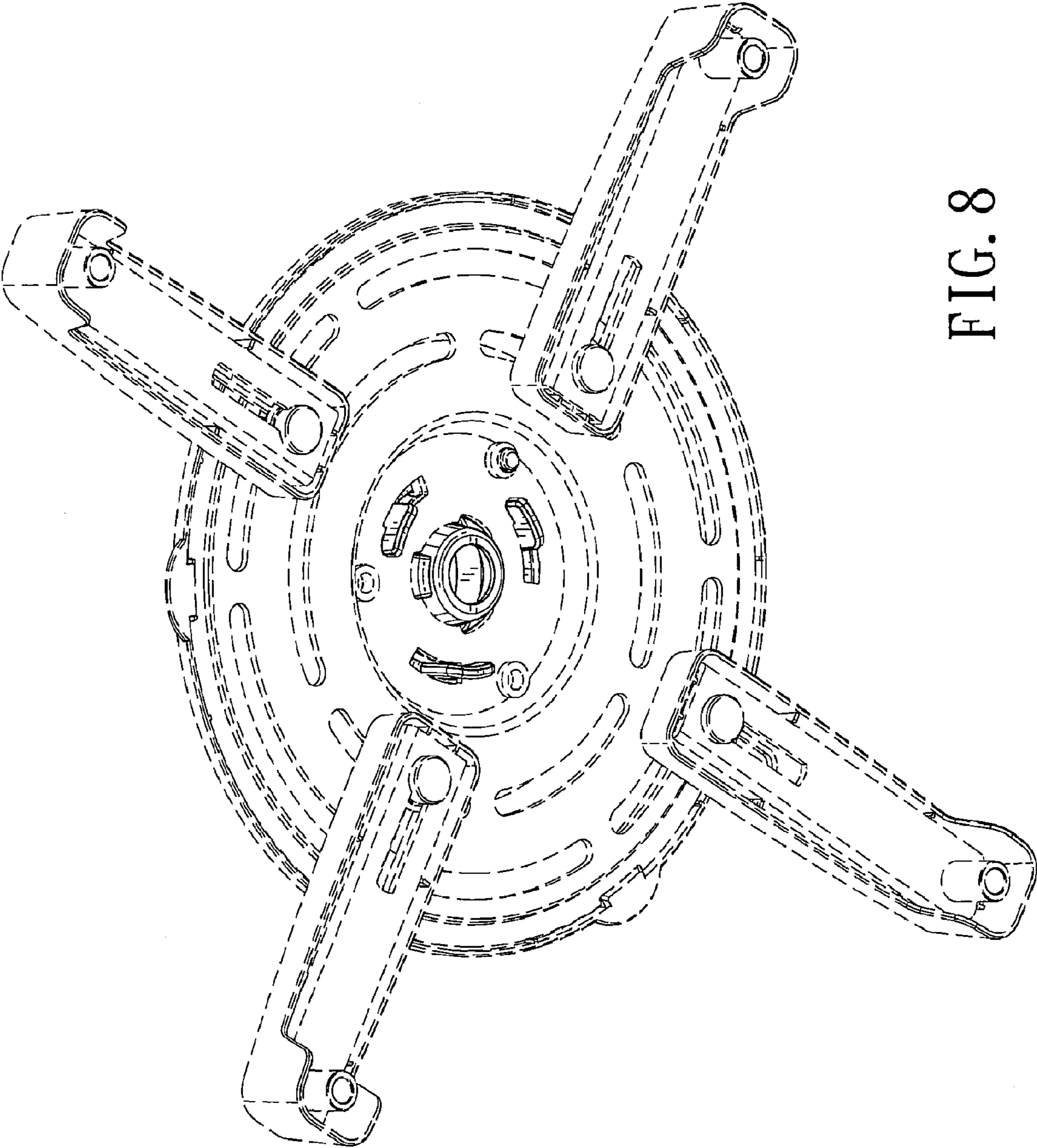


FIG. 8