



US00D649997S

(12) **United States Design Patent**
Imai

(10) **Patent No.:** **US D649,997 S**
(45) **Date of Patent:** **** Dec. 6, 2011**

(54) **ELECTRONIC CAMERA**
(75) Inventor: **Masazumi Imai**, Tokyo (JP)
(73) Assignee: **Fujifilm Corporation**, Tokyo (JP)
(**) Term: **14 Years**
(21) Appl. No.: **29/387,757**
(22) Filed: **Mar. 17, 2011**
(30) **Foreign Application Priority Data**

D631,496 S * 1/2011 Tainaka D16/202
D639,326 S * 6/2011 Baba et al. D16/202
D640,301 S * 6/2011 Nohara D16/202
2010/0013986 A1* 1/2010 Yamamoto 348/375
* cited by examiner

Primary Examiner — Adir Aronovich
(74) *Attorney, Agent, or Firm* — Young & Thompson

Sep. 17, 2010 (JP) 2010-022411
(51) **LOC (9) Cl.** **16-01**
(52) **U.S. Cl.** **D16/202**
(58) **Field of Classification Search** D16/200,
D16/202, 204, 218; 348/373-376; 358/909.1;
396/535-541
See application file for complete search history.

(57) **CLAIM**
The ornamental design for an electronic camera, as shown and described.

(56) **References Cited**
U.S. PATENT DOCUMENTS
D448,396 S * 9/2001 Miyazawa D16/218
7,772,542 B2* 8/2010 Ishikawa 348/374

DESCRIPTION

FIG. 1 is a top, front and right side perspective view of an electronic camera showing my new design;
FIG. 2 is a top, rear and left side perspective view thereof.
FIG. 3 is a front elevational view thereof;
FIG. 4 is a rear elevational view thereof;
FIG. 5 is a top plan view thereof;
FIG. 6 is a bottom plan view thereof;
FIG. 7 is a left side elevational view thereof; and,
FIG. 8 is a right side elevational view thereof.

1 Claim, 4 Drawing Sheets

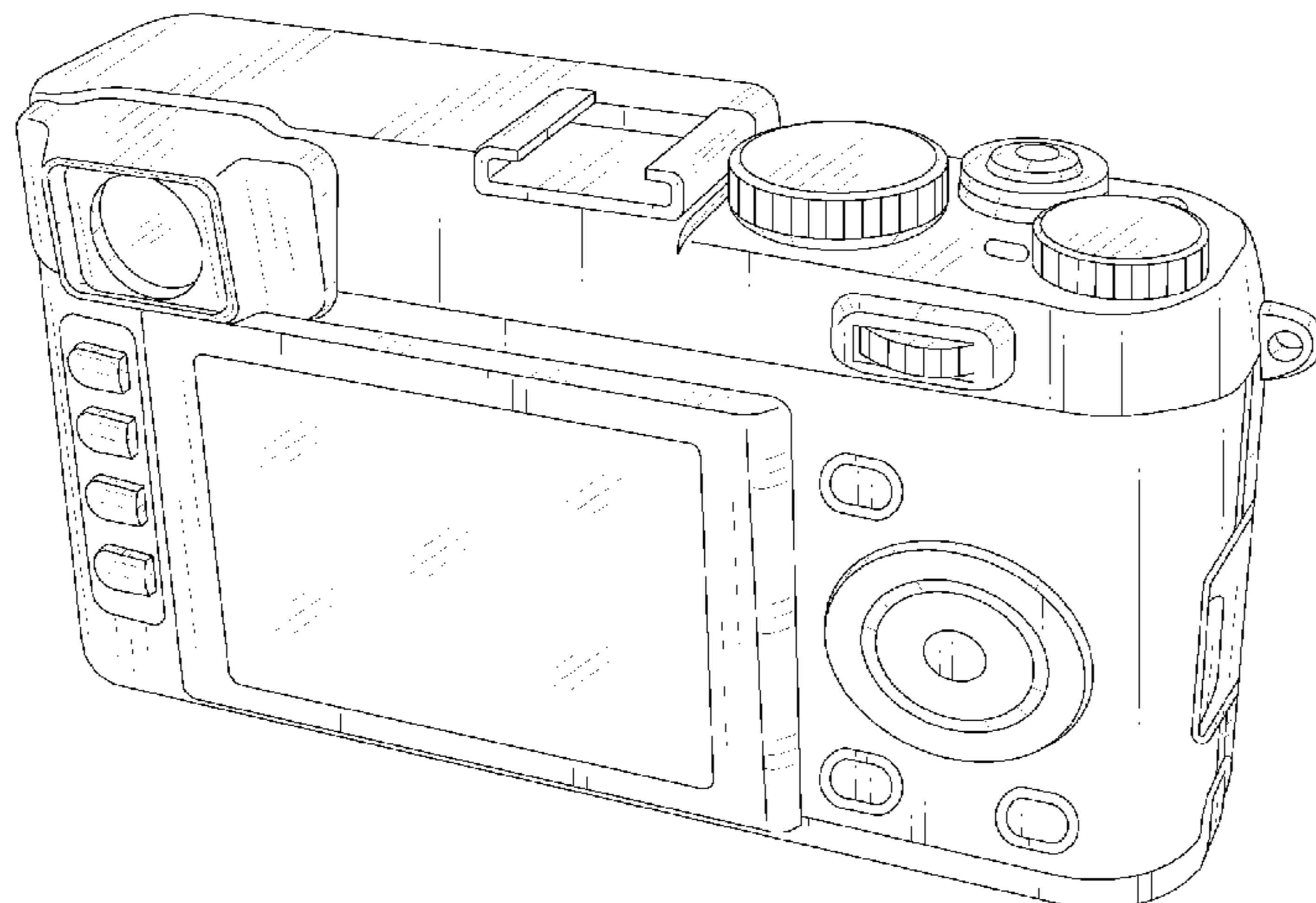
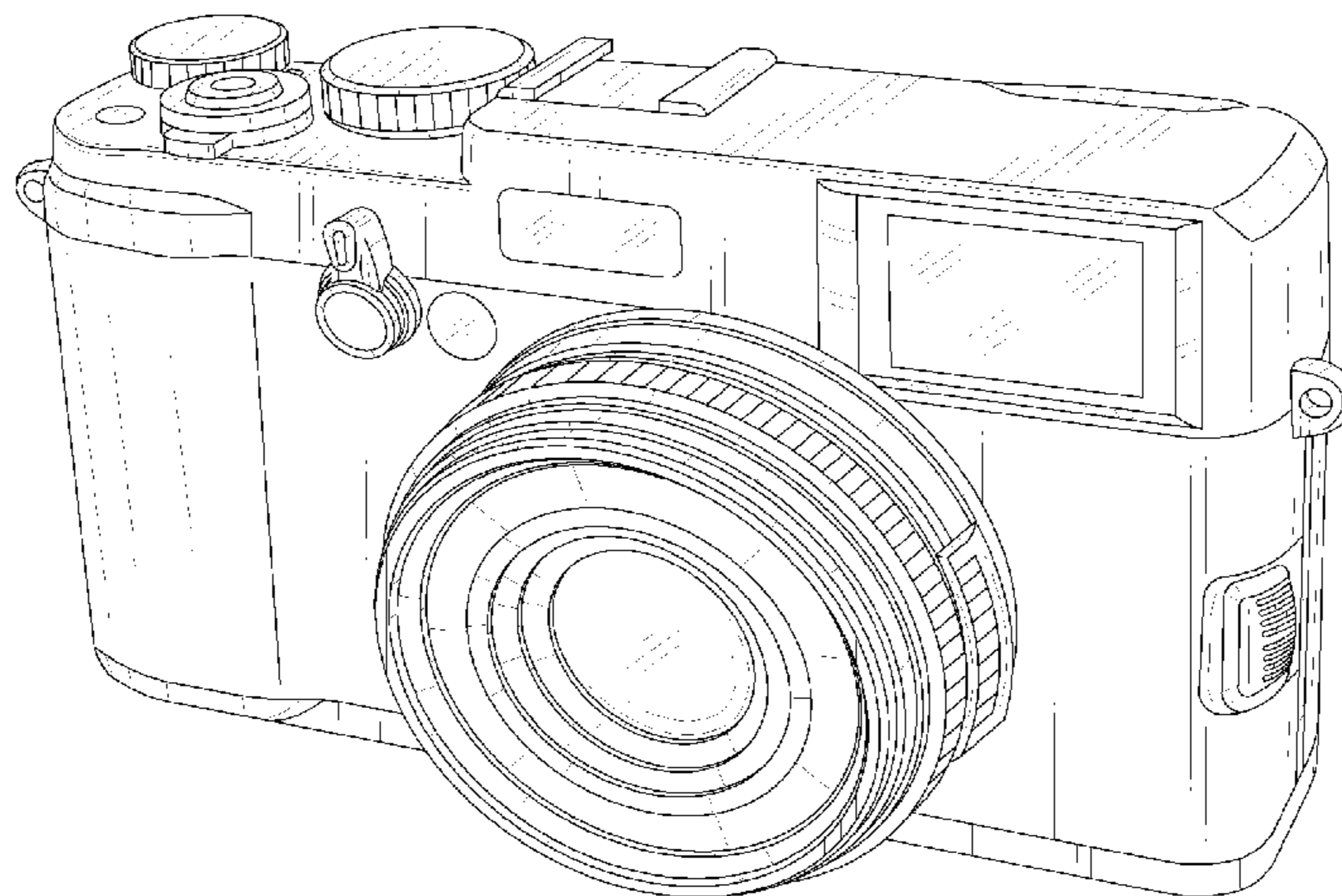


FIG. 1

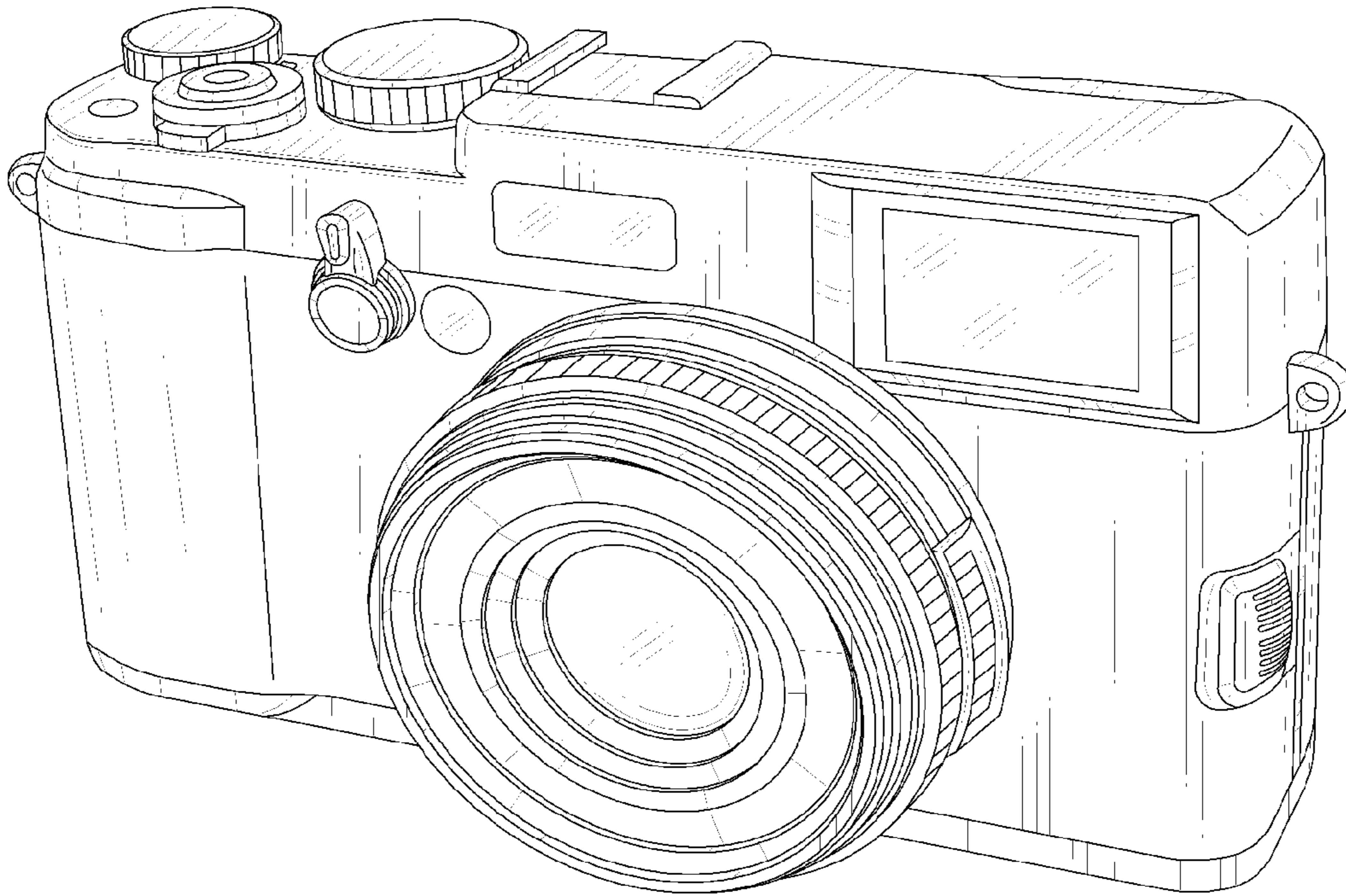


FIG. 2

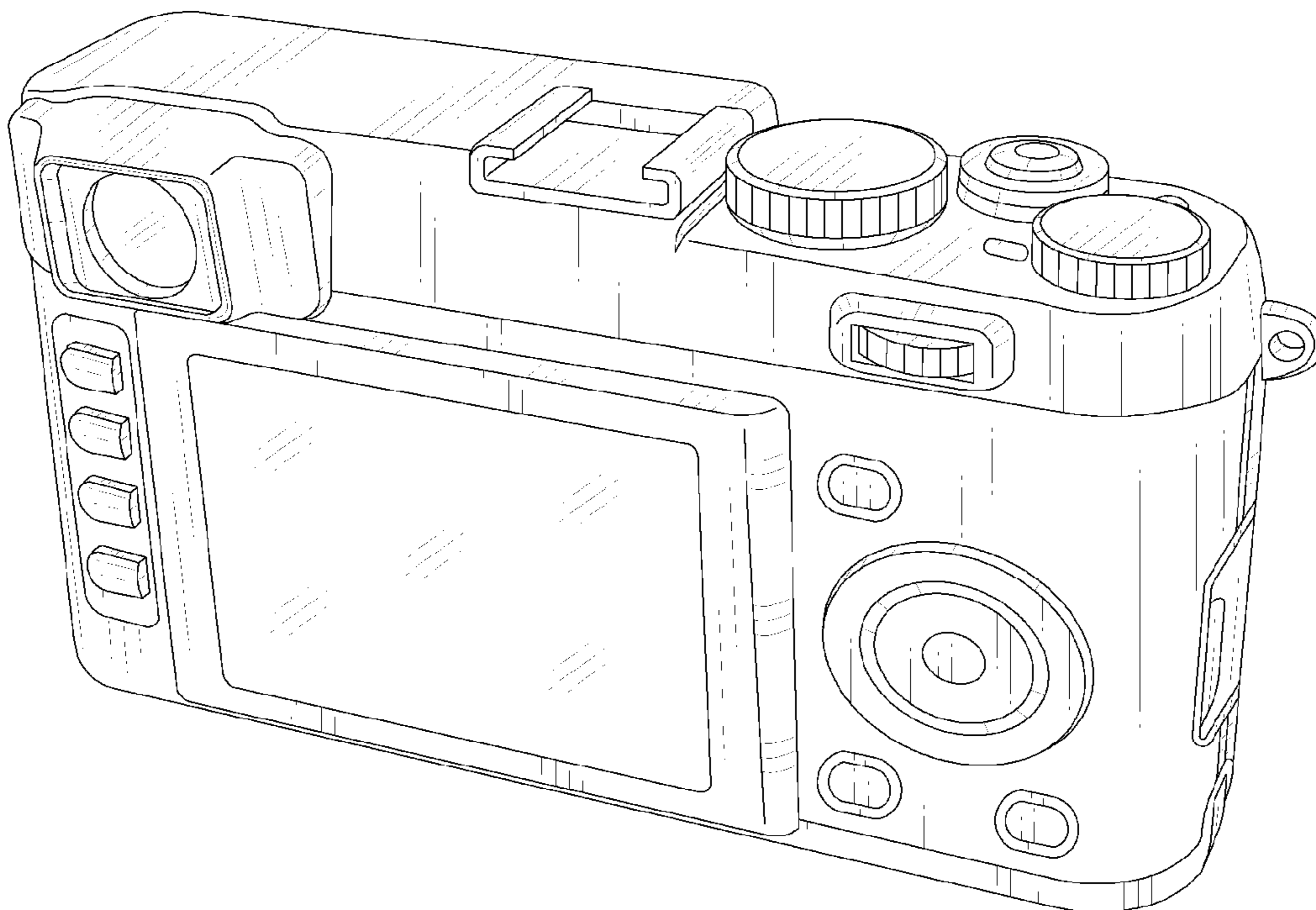


FIG. 3

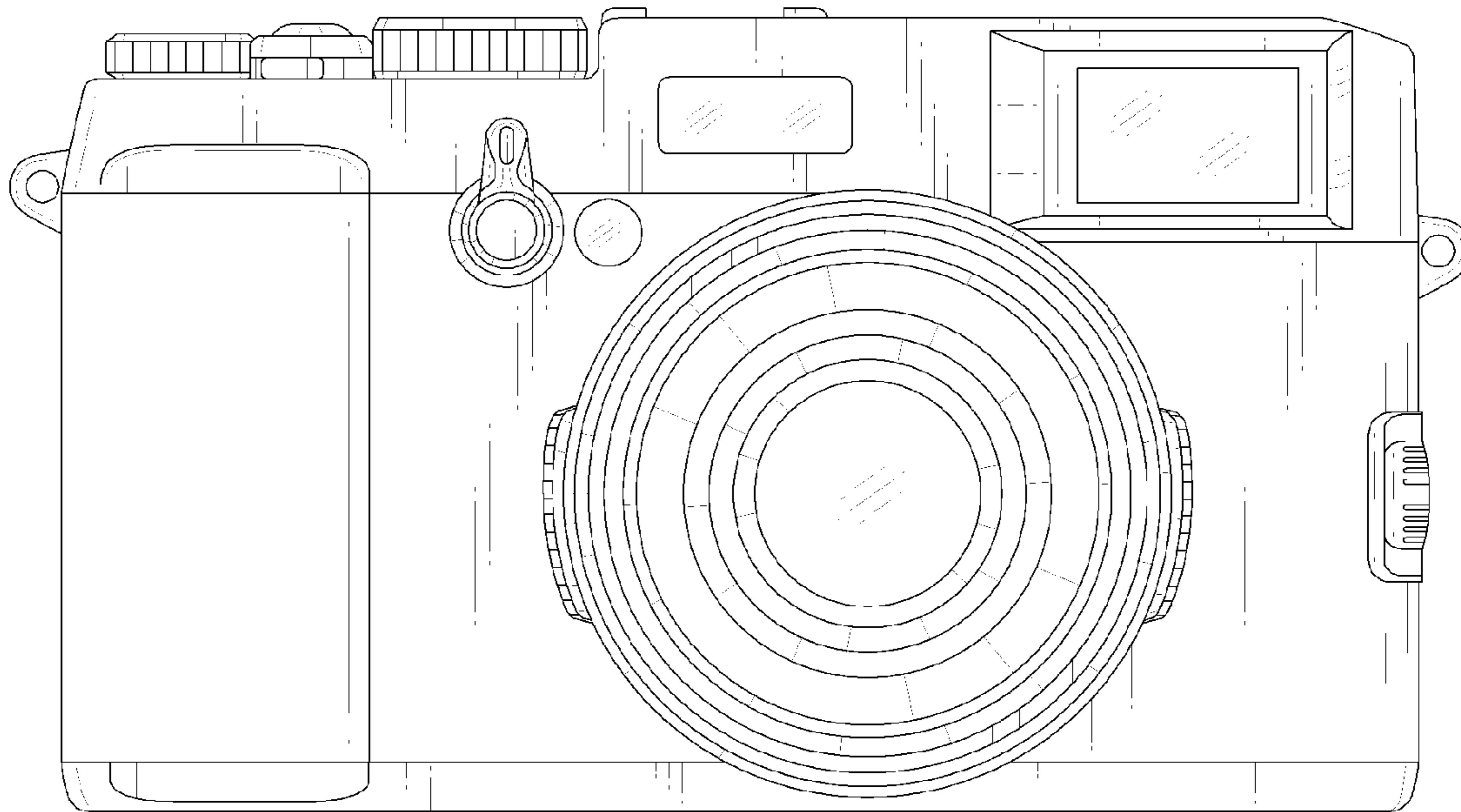


FIG. 4

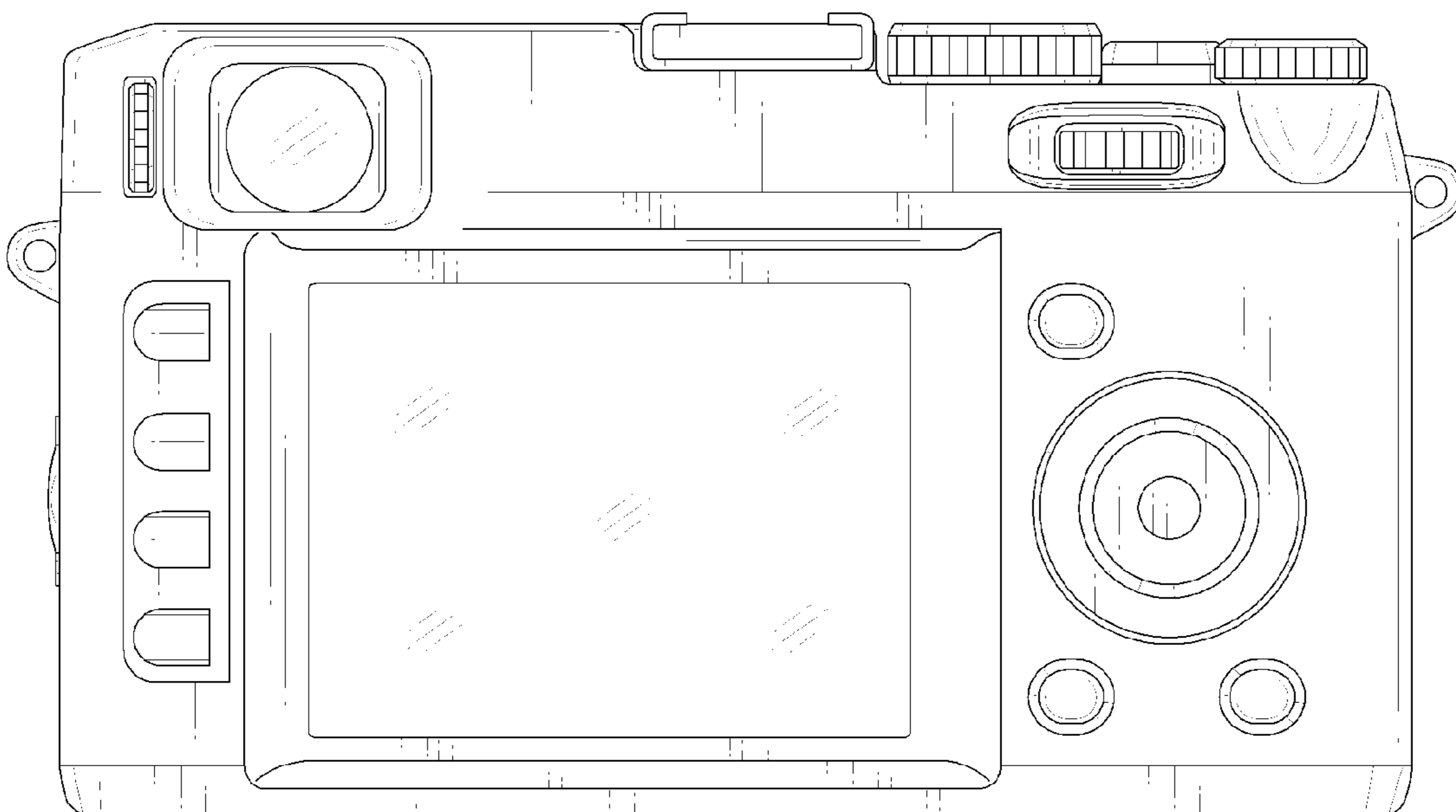


FIG. 5

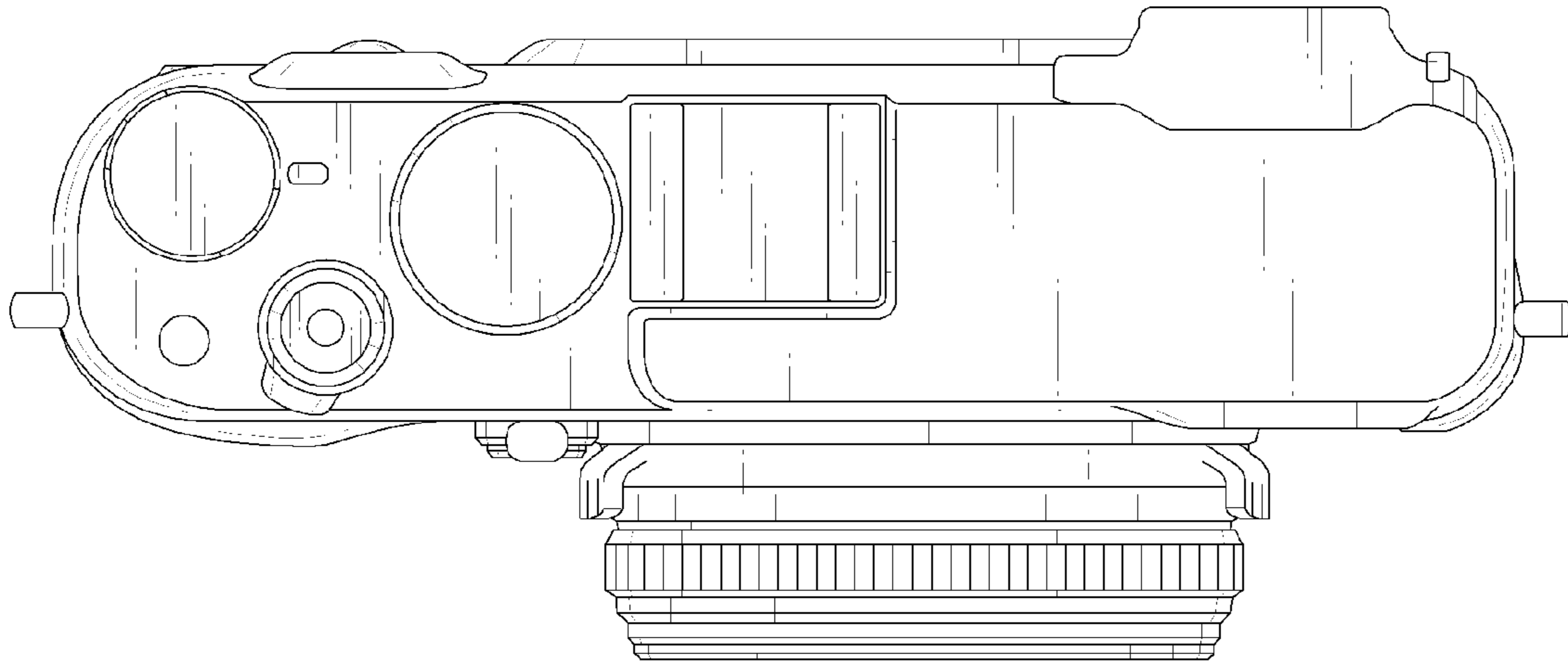


FIG. 6

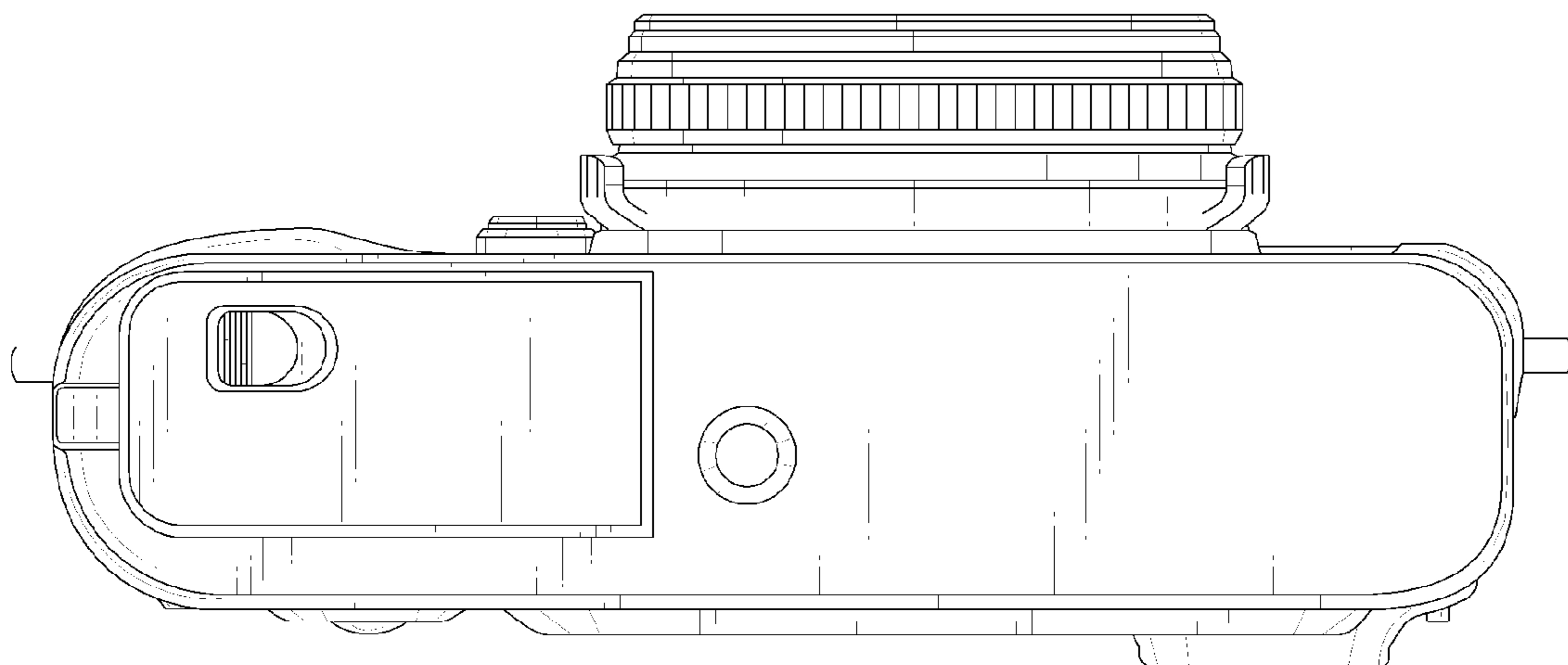


FIG. 7

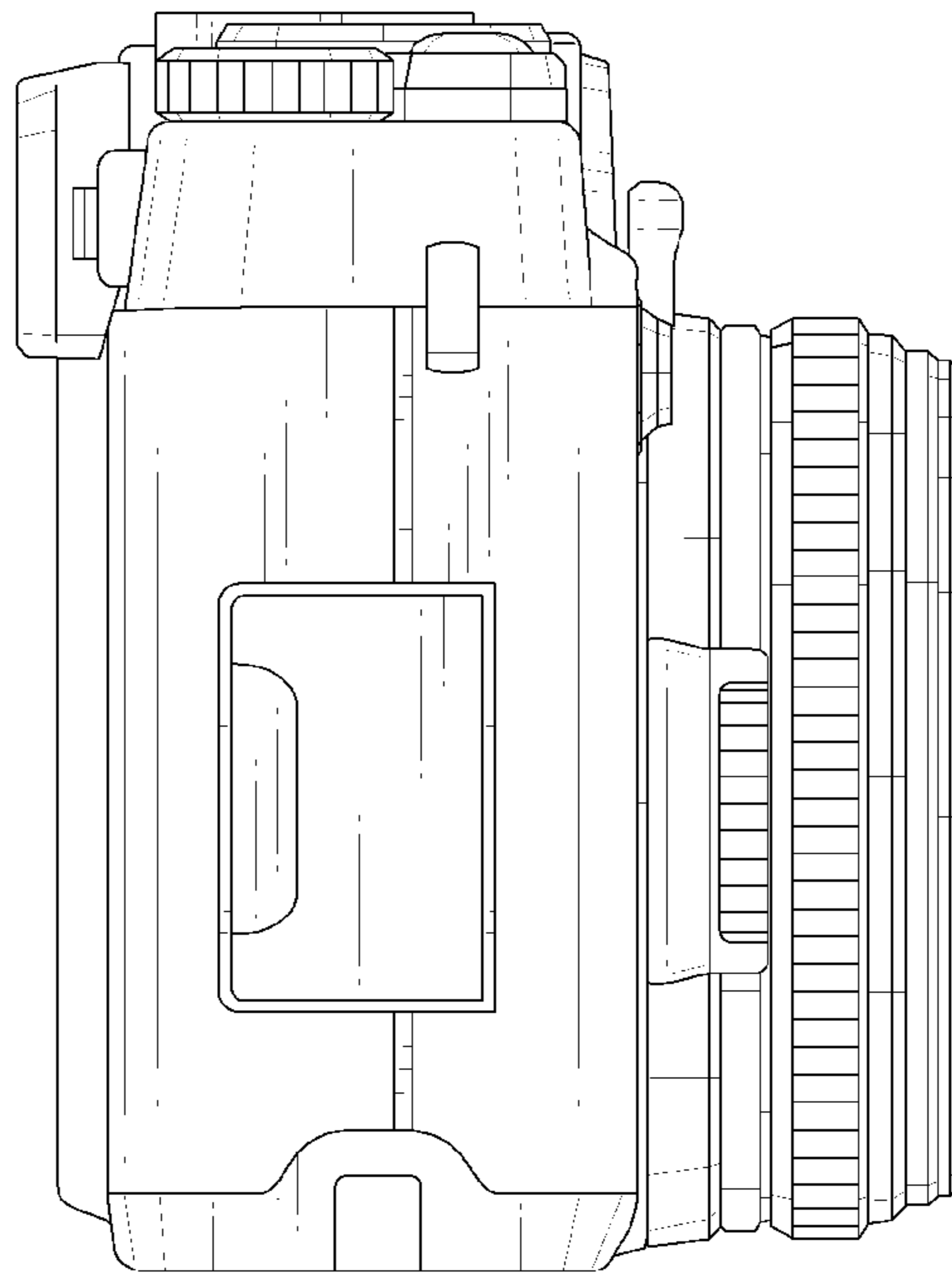


FIG. 8

