



US00D649993S

(12) **United States Design Patent**  
**Ding**

(10) **Patent No.:** **US D649,993 S**

(45) **Date of Patent:** **\*\* Dec. 6, 2011**

(54) **LENS COVER**

(75) Inventor: **Tai-Lai Ding**, Northville, MI (US)

(73) Assignee: **Leapers, Inc.**, Livonia, MI (US)

(\*\*) Term: **14 Years**

(21) Appl. No.: **29/375,096**

(22) Filed: **Sep. 17, 2010**

(51) **LOC (9) Cl.** ..... **16-06**

(52) **U.S. Cl.** ..... **D16/134; D16/136**

(58) **Field of Classification Search** ..... D16/130,  
D16/134, 217, 218, 219, 245, 208, 135, 136;  
D22/109; 396/529, 532, 544, 819; 362/455,  
362/293; 359/811, 813, 819, 822, 823, 830;  
354/295, 286

See application file for complete search history.

(56) **References Cited**

**U.S. PATENT DOCUMENTS**

1,781,865	A	11/1930	Aniol	
1,971,434	A *	8/1934	Trautmann	359/819
2,153,100	A	4/1939	Komanik	
2,668,903	A	2/1954	Barcus	
3,396,269	A	8/1968	Sorenson	
3,671,108	A *	6/1972	Kilgus	359/820
3,696,238	A *	10/1972	Szymanski	362/293
3,801,812	A *	4/1974	Palumbo et al.	362/293
4,210,387	A *	7/1980	Ogawa	359/699
4,473,289	A *	9/1984	Wallace	396/276
4,538,213	A	8/1985	Martin	
4,668,047	A *	5/1987	Okura	359/820
4,697,890	A	10/1987	Crookston et al.	
4,717,882	A	1/1988	Billings et al.	
4,929,073	A *	5/1990	La Plante et al.	359/848
4,957,341	A *	9/1990	Hasegawa	359/819
5,054,886	A *	10/1991	Ozaki et al.	359/823
5,119,282	A	6/1992	Meyer et al.	
5,165,782	A	11/1992	Maglica et al.	
5,176,441	A	1/1993	Horvath et al.	

5,225,939	A *	7/1993	Iizuka	359/811
5,249,082	A *	9/1993	Newman	359/813
5,267,131	A	11/1993	Anthony et al.	
5,461,444	A *	10/1995	Okura et al.	396/529
5,495,676	A	3/1996	Chesnut et al.	
5,528,328	A *	6/1996	O'Farrill et al.	396/544
5,721,645	A *	2/1998	Iwasaki et al.	359/823
5,768,649	A *	6/1998	Pearson	396/529
6,026,244	A *	2/2000	Tanaka	396/72
6,292,311	B1 *	9/2001	Bohn et al.	359/819
6,400,516	B1 *	6/2002	Spinali	359/819
6,580,570	B2 *	6/2003	Becker et al.	359/819
6,761,467	B2	7/2004	Matthews et al.	
6,816,325	B1 *	11/2004	Becker et al.	359/819
6,819,509	B2 *	11/2004	Wisecarver et al.	359/819
6,830,362	B2	12/2004	Mullen	
6,867,848	B2 *	3/2005	Ebinuma et al.	355/75

(Continued)

**FOREIGN PATENT DOCUMENTS**

EP 00252159 A1 1/1988

*Primary Examiner* — Paula Greene

(74) *Attorney, Agent, or Firm* — Honigman Miller Schwartz and Cohn LLP

(57) **CLAIM**

The ornamental design for lens cover, as shown and described.

**DESCRIPTION**

FIG. 1 is a front isometric view of the lens cover of the present invention;

FIG. 2 is a rear isometric view thereof;

FIG. 3 is a front elevational view thereof;

FIG. 4 is a rear elevational view thereof;

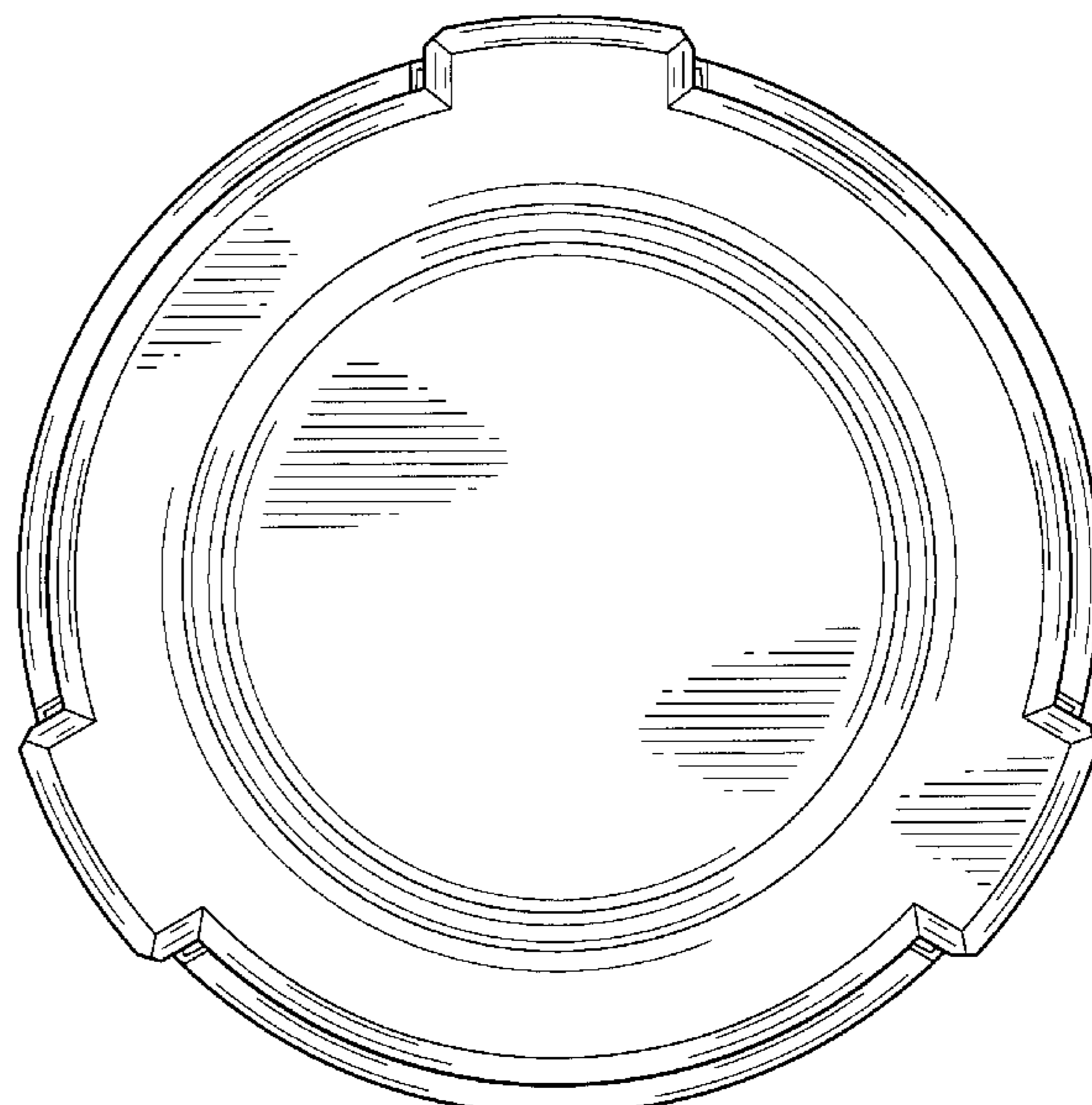
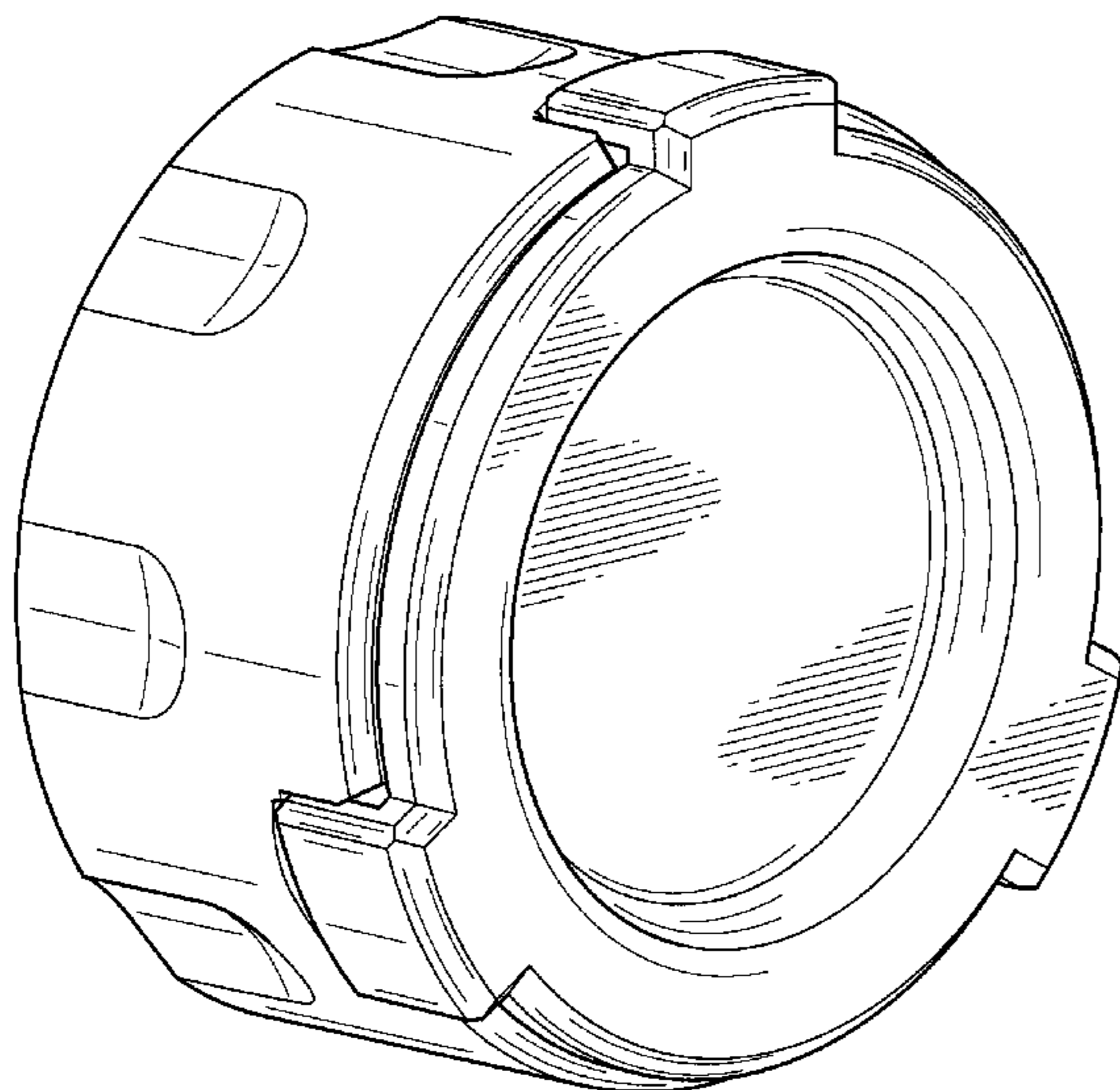
FIG. 5 is a left side elevational view thereof;

FIG. 6 is a right side elevational view thereof;

FIG. 7 is a top view thereof; and,

FIG. 8 is a bottom view thereof.

**1 Claim, 7 Drawing Sheets**



# US D649,993 S

Page 2

## U.S. PATENT DOCUMENTS

7,004,600	B2	2/2006	Echterling	
7,048,408	B2	5/2006	Dallas et al.	
D529,065	S *	9/2006	Watanabe	D16/219
7,153,006	B1	12/2006	Lin	
7,172,312	B2	2/2007	Chen	
D539,320	S *	3/2007	Tokiwa et al.	D16/219
D540,363	S *	4/2007	Tokiwa et al.	D16/219
D546,360	S *	7/2007	Tokiwa et al.	D16/219
D546,361	S *	7/2007	Tokiwa et al.	D16/219
D546,863	S *	7/2007	Ito et al.	D16/219
D549,263	S *	8/2007	Tokiwa et al.	D16/219
D549,264	S *	8/2007	Tokiwa	D16/219
7,289,282	B2 *	10/2007	Matsushima	359/819
D555,693	S *	11/2007	Tokiwa et al.	D16/219
D559,884	S *	1/2008	Tokiwa	D16/219
D578,599	S *	10/2008	Cheng	D22/109
7,529,046	B2 *	5/2009	Schletterer et al.	359/819
7,602,564	B2 *	10/2009	Torii et al.	359/822
7,672,060	B2 *	3/2010	Campbell	359/666
7,690,815	B2	4/2010	Dallas et al.	
D616,481	S *	5/2010	Wampler	D16/219
7,724,451	B2 *	5/2010	Takase	359/811
D617,360	S *	6/2010	Endo et al.	D16/134
7,729,066	B2 *	6/2010	Huang et al.	359/819
7,746,576	B2 *	6/2010	Lee	359/811
7,830,624	B2 *	11/2010	Berube	359/819
D636,420	S *	4/2011	Huang	D16/135
2005/0168976	A1	8/2005	Chen	
2006/0023444	A1	2/2006	Dallas et al.	

\* cited by examiner

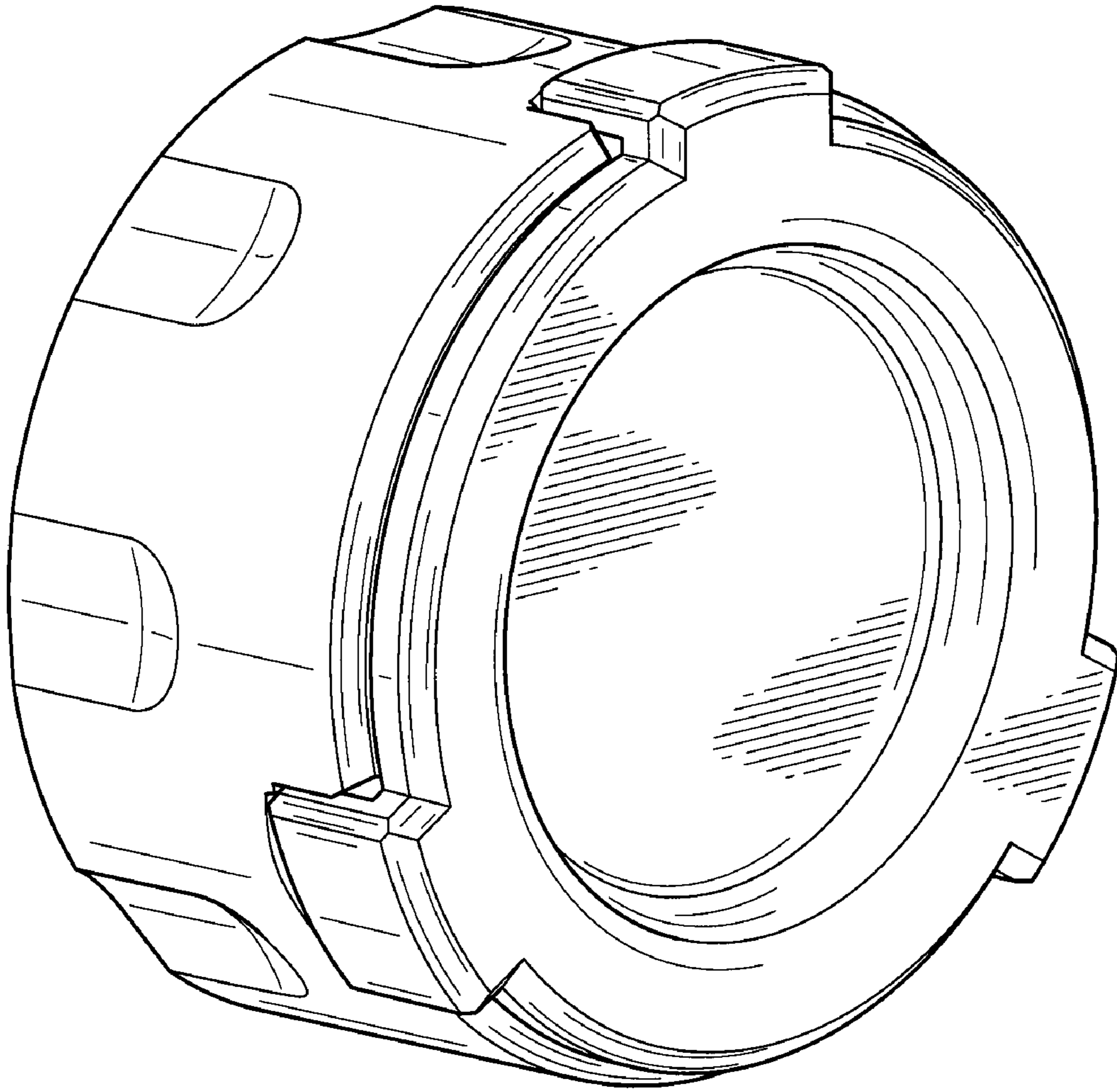


FIG. 1

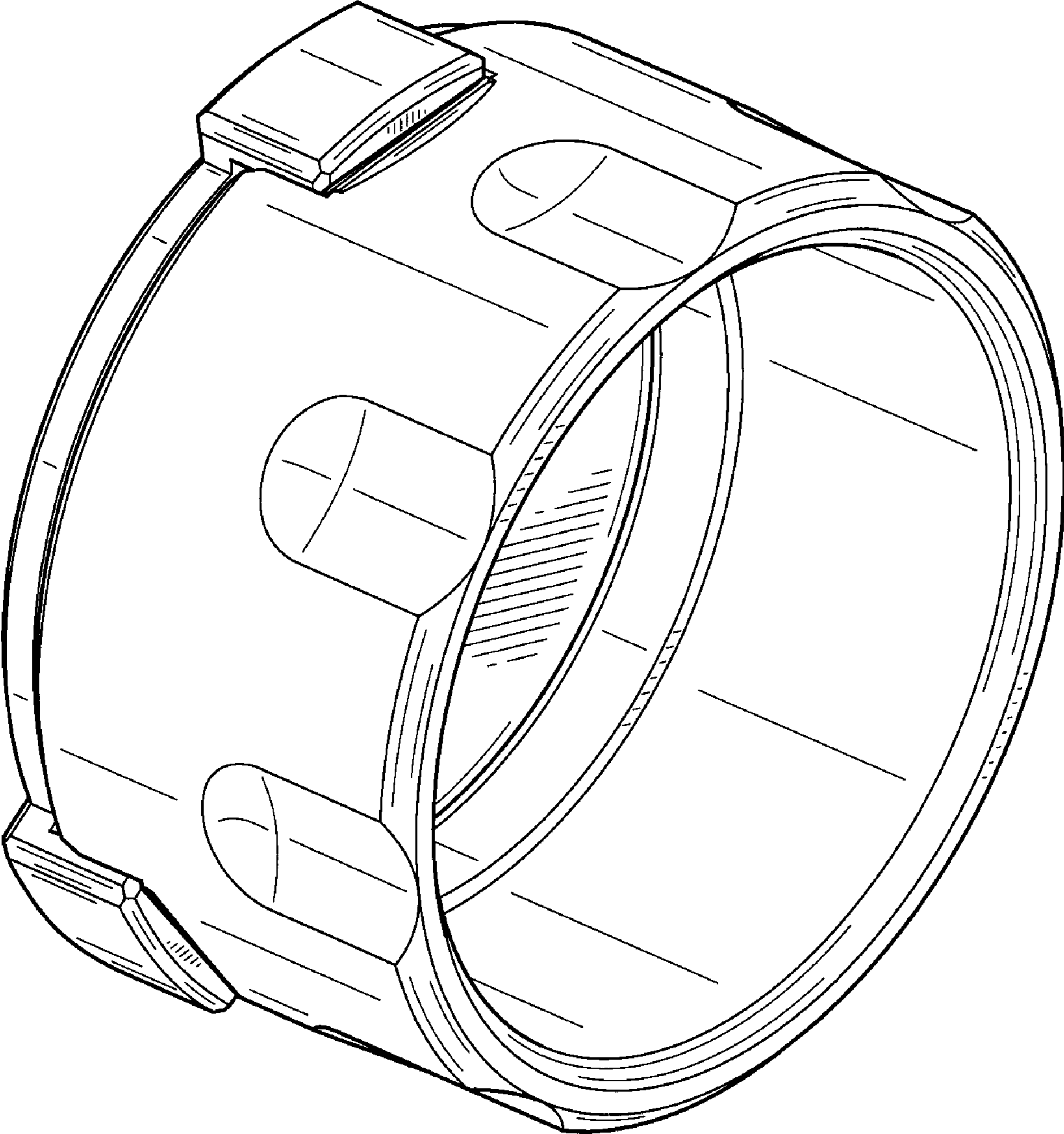


FIG. 2

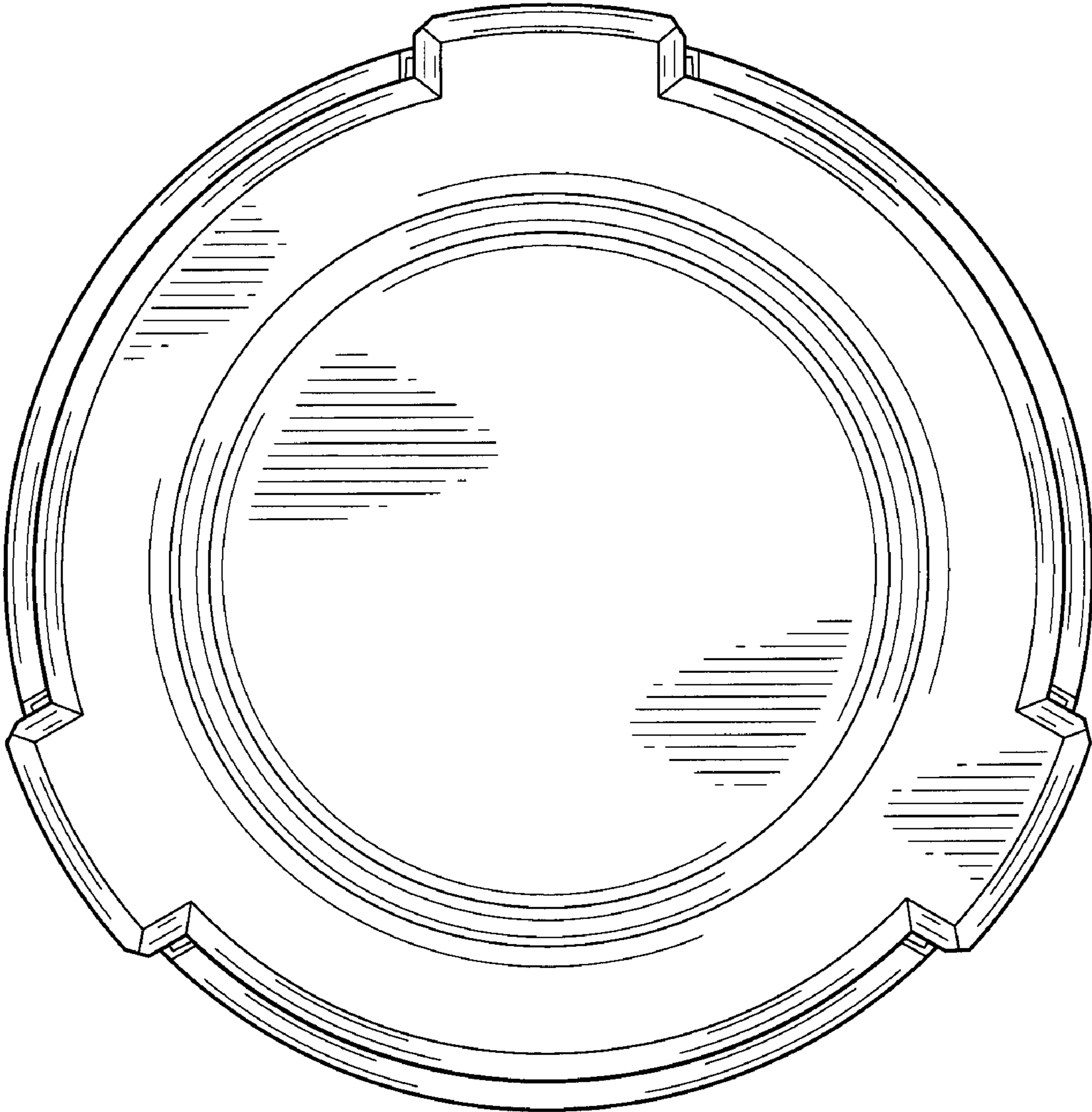


FIG. 3

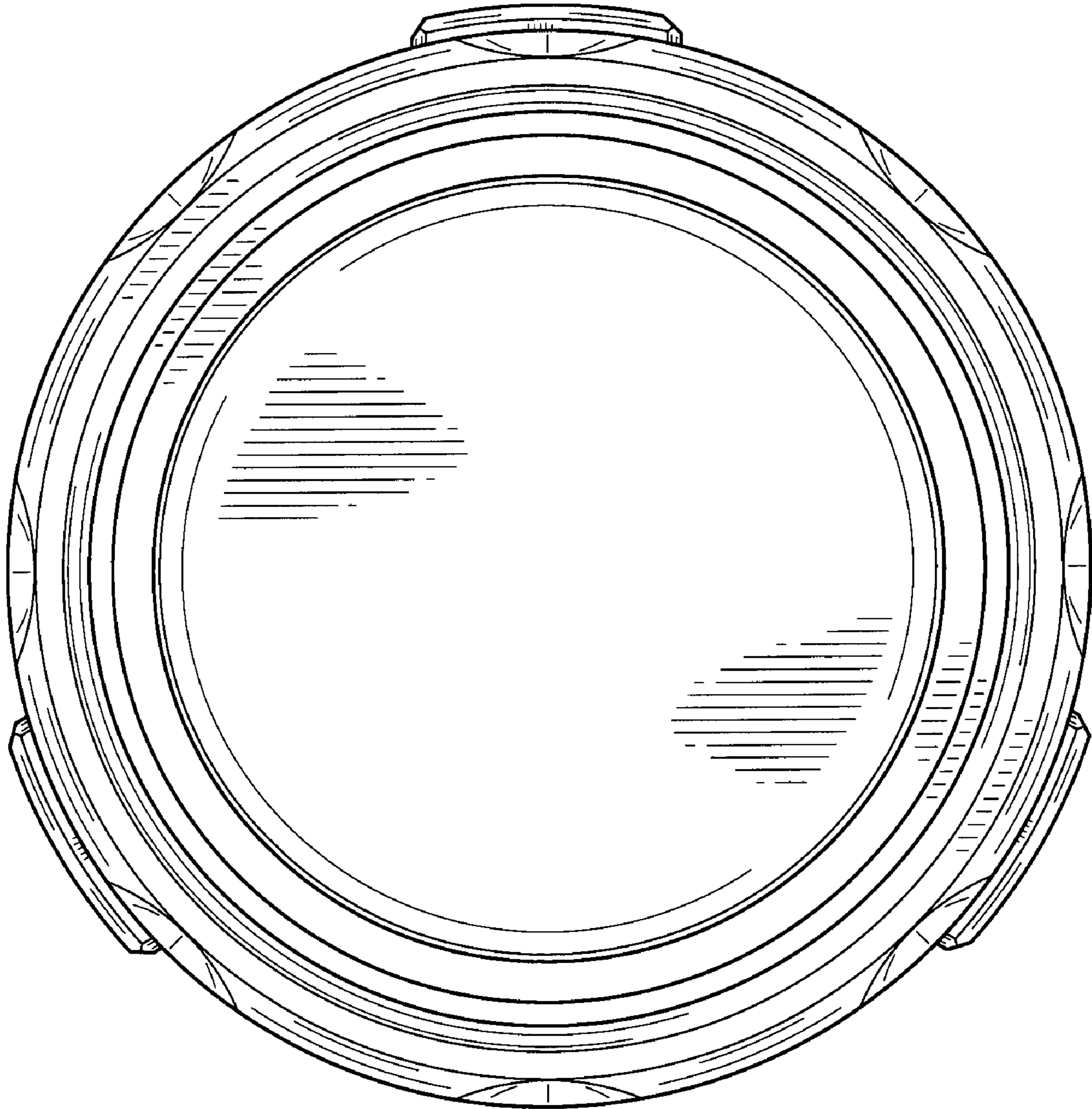


FIG. 4

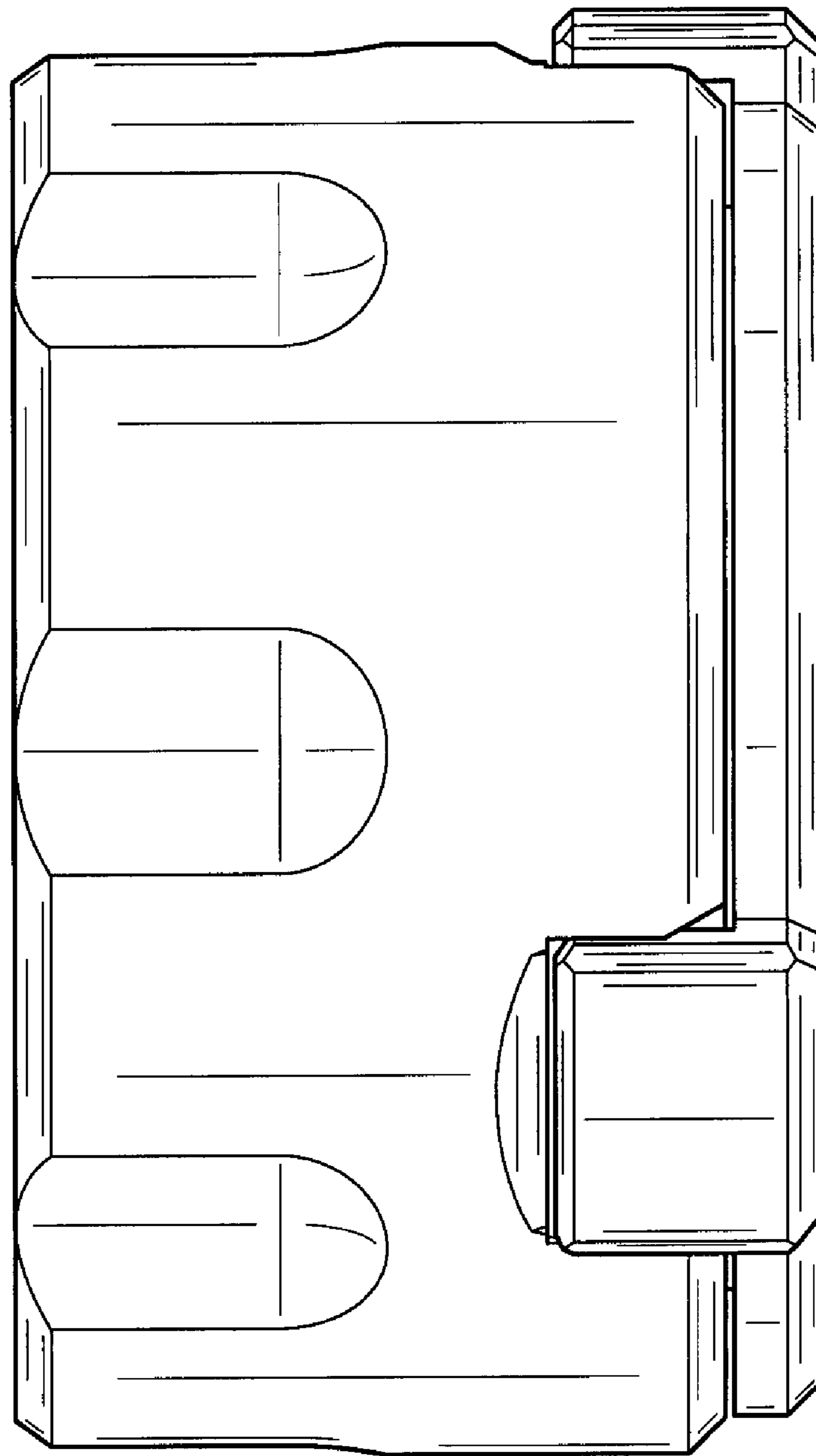


FIG. 5

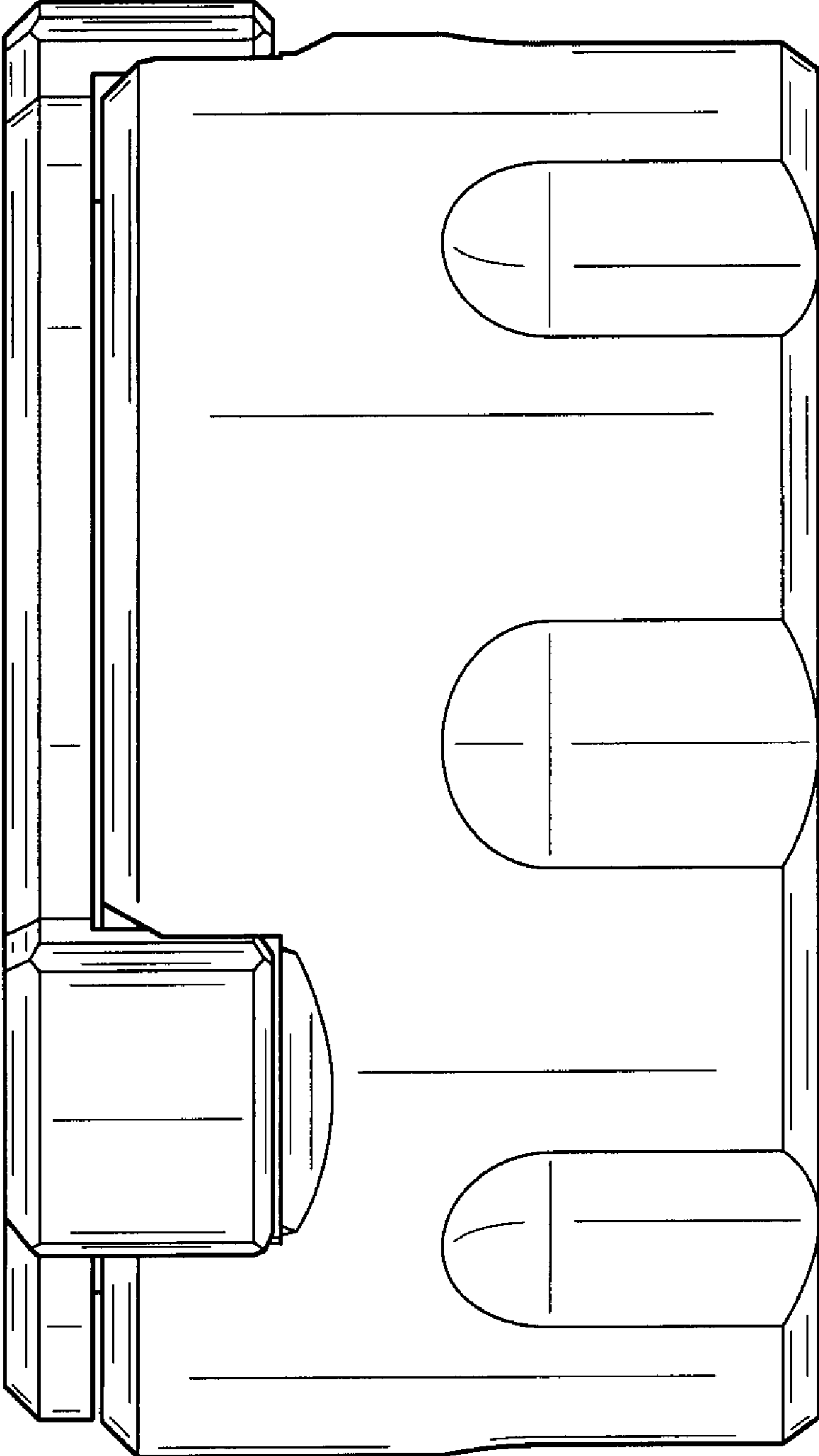


FIG. 6



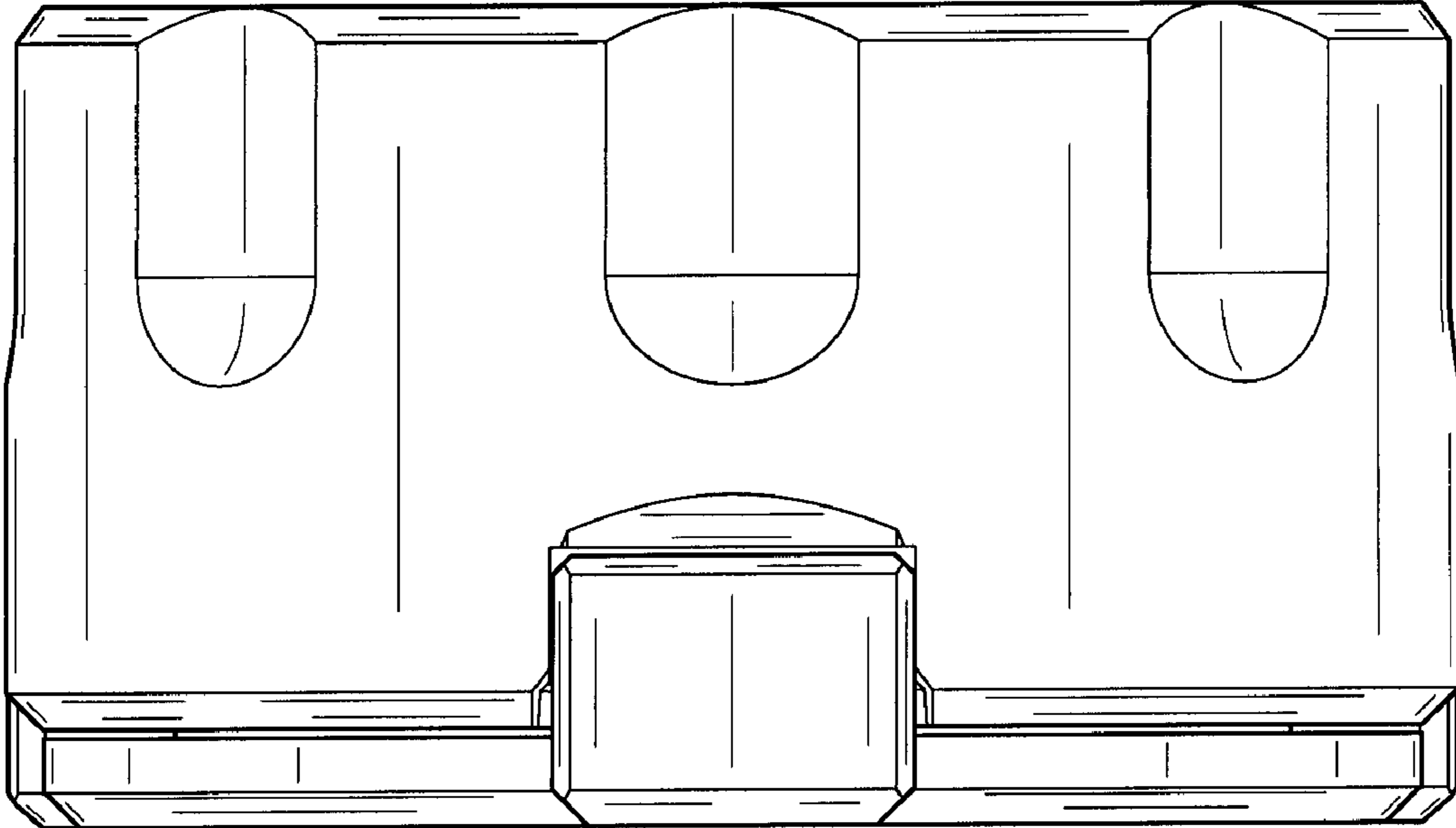


FIG. 7

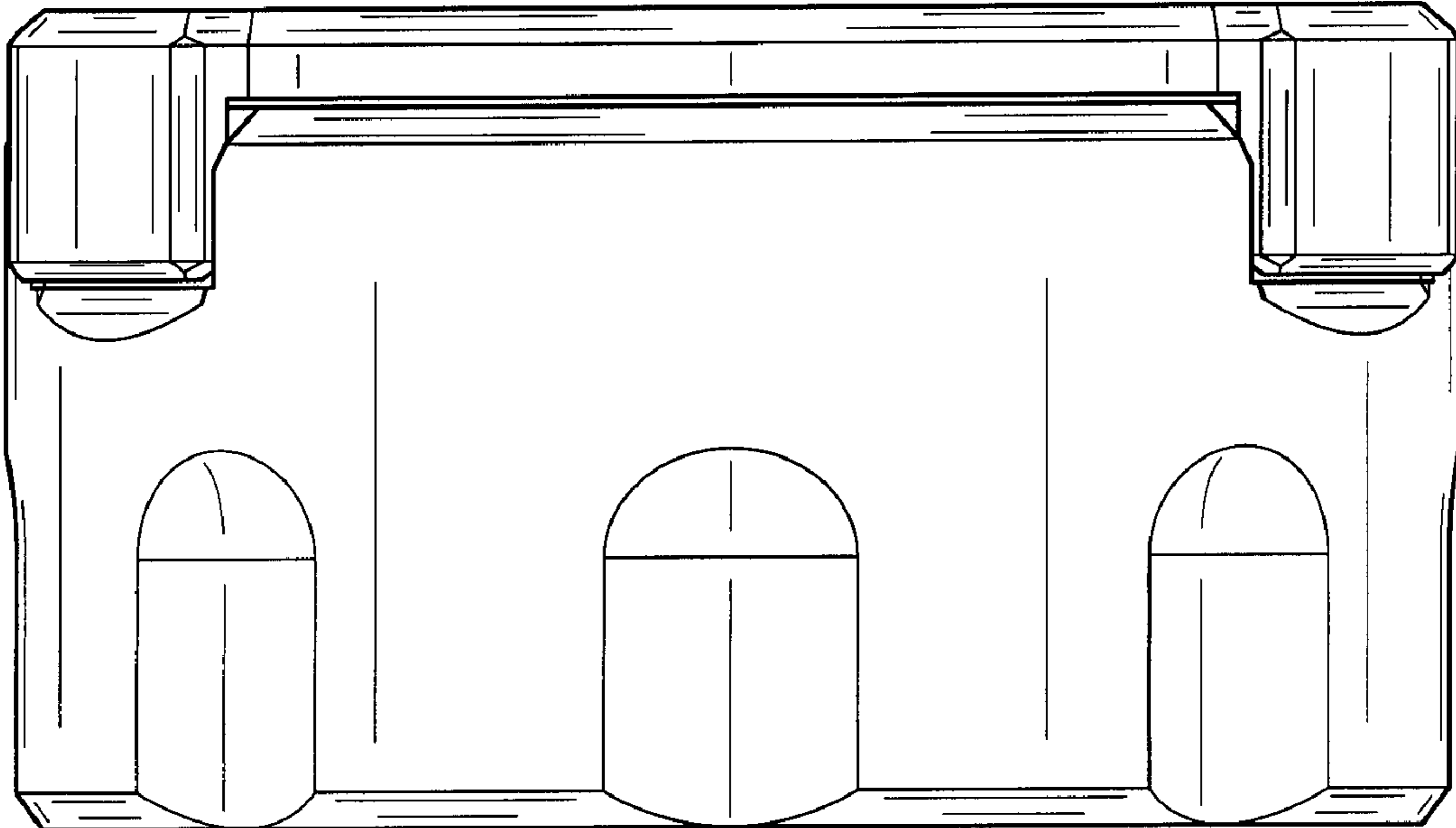


FIG. 8