



US00D649992S

(12) **United States Design Patent**  
**Nusser**

(10) **Patent No.:** **US D649,992 S**

(45) **Date of Patent:** **\*\* Dec. 6, 2011**

(54) **STAND FOR MICROSCOPE ASSEMBLY**

(75) **Inventor:** **Daniel Nusser, Aalen (DE)**

(73) **Assignee:** **Carl Zeiss Meditec AG, Jena (DE)**

(\*\*) **Term:** **14 Years**

(21) **Appl. No.:** **29/347,836**

(22) **Filed:** **Jun. 21, 2010**

(30) **Foreign Application Priority Data**

Dec. 22, 2009 (EM) ..... 001186019

(51) **LOC (9) Cl.** ..... **16-06**

(52) **U.S. Cl.** ..... **D16/131**

(58) **Field of Classification Search** ..... D16/130,  
D16/131; 359/368, 374, 382, 384; 248/280.11,  
248/123.2; 351/212, 221; 606/1; 600/427  
See application file for complete search history.

(56) **References Cited**

**U.S. PATENT DOCUMENTS**

3,809,454	A *	5/1974	Brambring	.....	359/382
4,241,891	A *	12/1980	Rudolph	.....	248/123.2
4,605,287	A *	8/1986	Lang et al.	.....	359/374
4,807,989	A *	2/1989	Nagano et al.	.....	351/212
5,074,651	A *	12/1991	Nagamine	.....	359/384
5,173,802	A *	12/1992	Heller	.....	359/384
5,186,422	A *	2/1993	Nakamura	.....	248/123.2
5,288,043	A *	2/1994	Tigliev	.....	248/123.11
5,332,181	A *	7/1994	Schweizer et al.	.....	248/123.11
5,667,186	A *	9/1997	Luber et al.	.....	248/550
5,748,366	A *	5/1998	Yasunaga et al.	.....	359/368

5,820,623	A *	10/1998	Ng	.....	606/1
6,050,530	A *	4/2000	Nakamura	.....	248/123.2
6,434,416	B1 *	8/2002	Mizoguchi et al.	.....	600/427
D482,708	S *	11/2003	Matuschek	.....	D16/131
6,646,798	B2 *	11/2003	Schmidt et al.	.....	359/382
D488,823	S *	4/2004	Asaka et al.	.....	D16/131
D498,247	S *	11/2004	Suzuki et al.	.....	D16/131
6,833,950	B2 *	12/2004	Schmidt	.....	359/384
6,899,307	B2 *	5/2005	Strauss et al.	.....	248/280.11
7,232,222	B2 *	6/2007	Kogawa et al.	.....	351/221
7,506,981	B2 *	3/2009	Kim	.....	351/206
7,594,188	B2 *	9/2009	Rudolph et al.	.....	715/810
D623,210	S *	9/2010	Matuschek et al.	.....	D16/131
D634,344	S *	3/2011	Nusser et al.	.....	D16/131
D637,219	S *	5/2011	Nusser et al.	.....	D16/131

\* cited by examiner

*Primary Examiner* — Paula Greene

(74) *Attorney, Agent, or Firm* — Walter Ottesen

(57) **CLAIM**

The ornamental design for stand for a microscope assembly, as shown and described.

**DESCRIPTION**

FIG. 1 is a perspective view of a stand for microscope assembly showing my new design;

FIG. 2 is a bottom plan view of the stand of FIG. 1;

FIG. 3 is a left side elevation view of the stand of FIG. 1;

FIG. 4 is a front elevation view of the stand of FIG. 1;

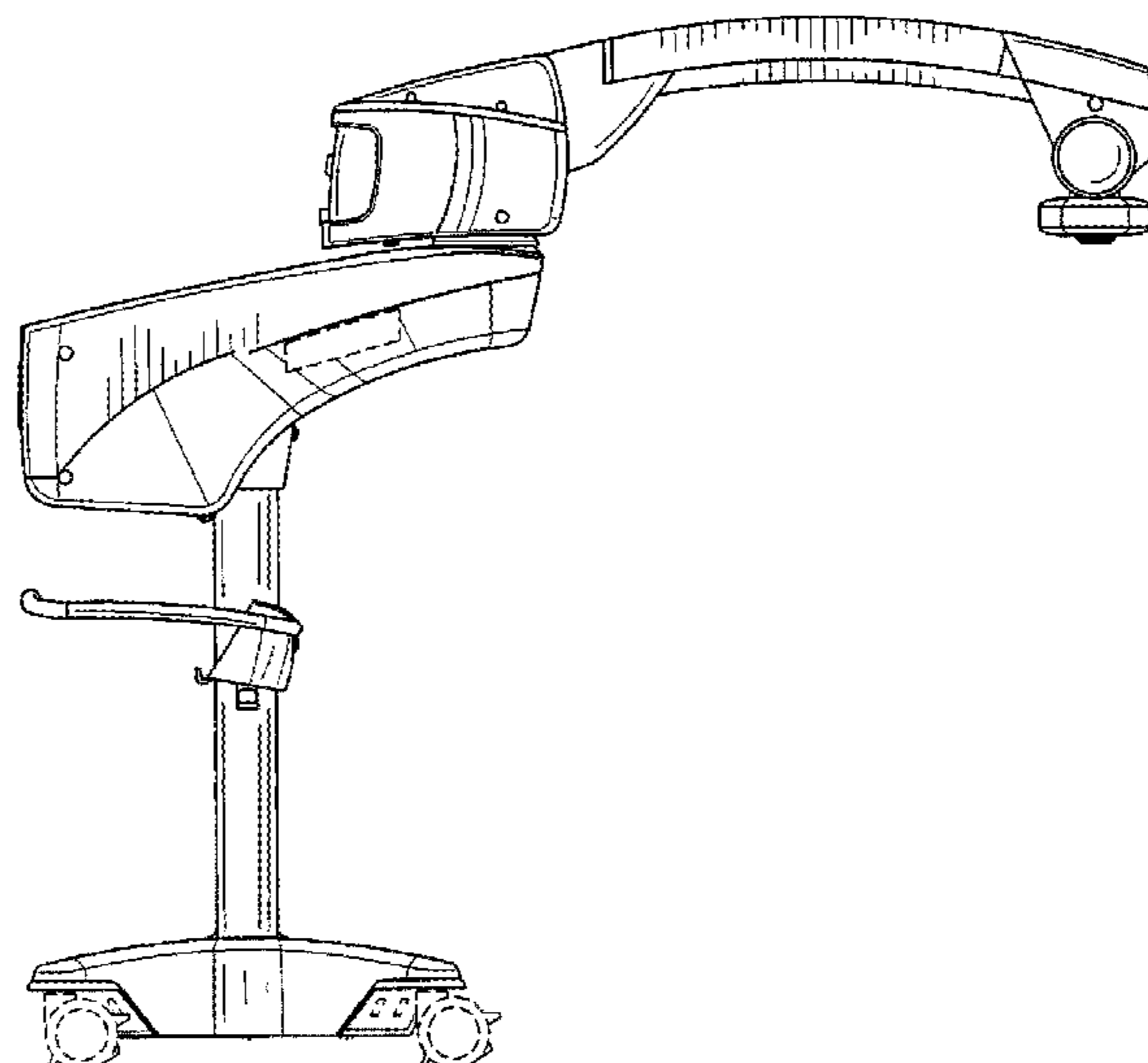
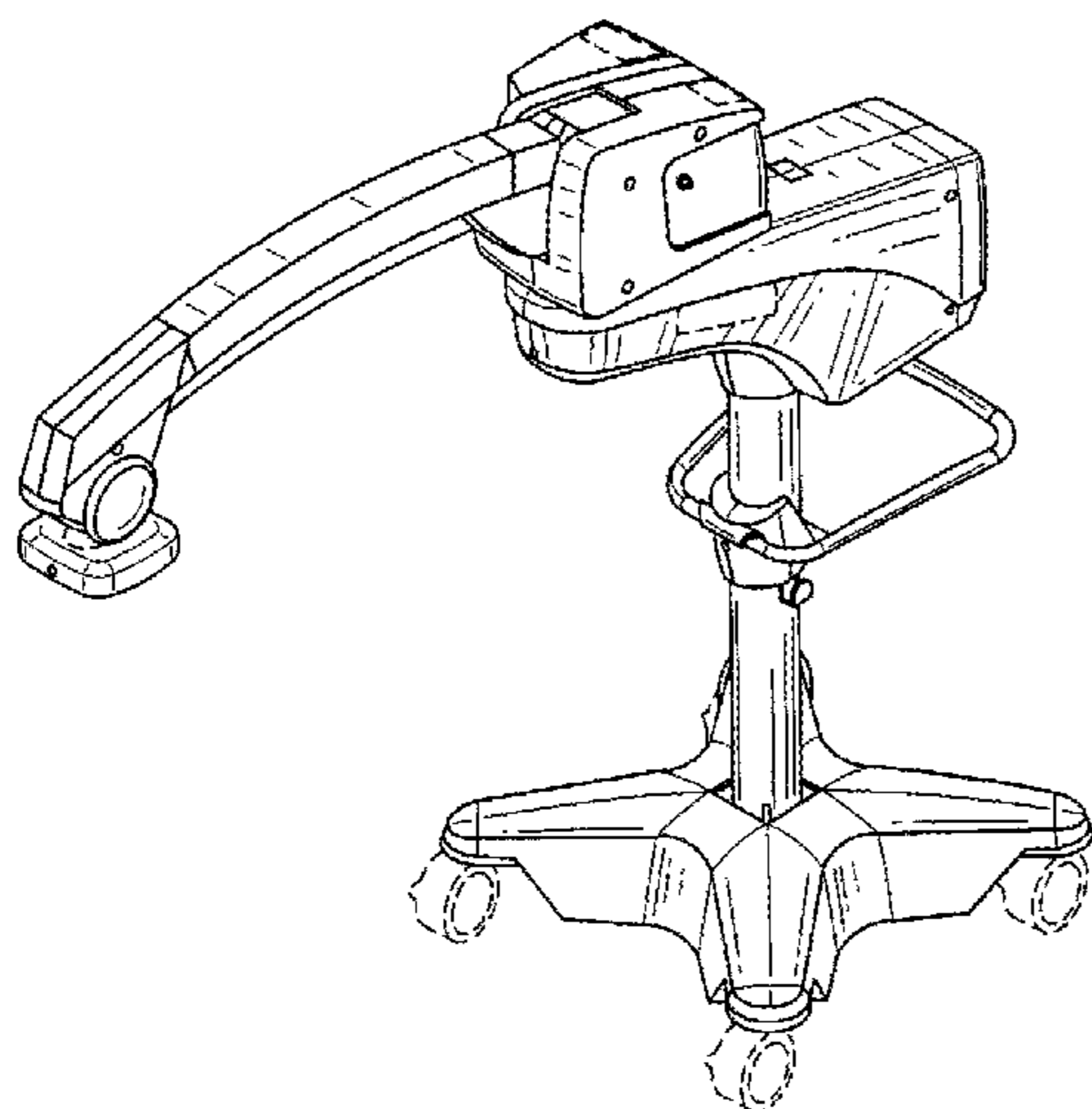
FIG. 5 is a right side elevation view of the stand of FIG. 1;

FIG. 6 is a rear elevation view of the stand of FIG. 1; and,

FIG. 7 is a top plan view of the stand of FIG. 1.

The broken lines form no part of the claimed design.

**1 Claim, 7 Drawing Sheets**



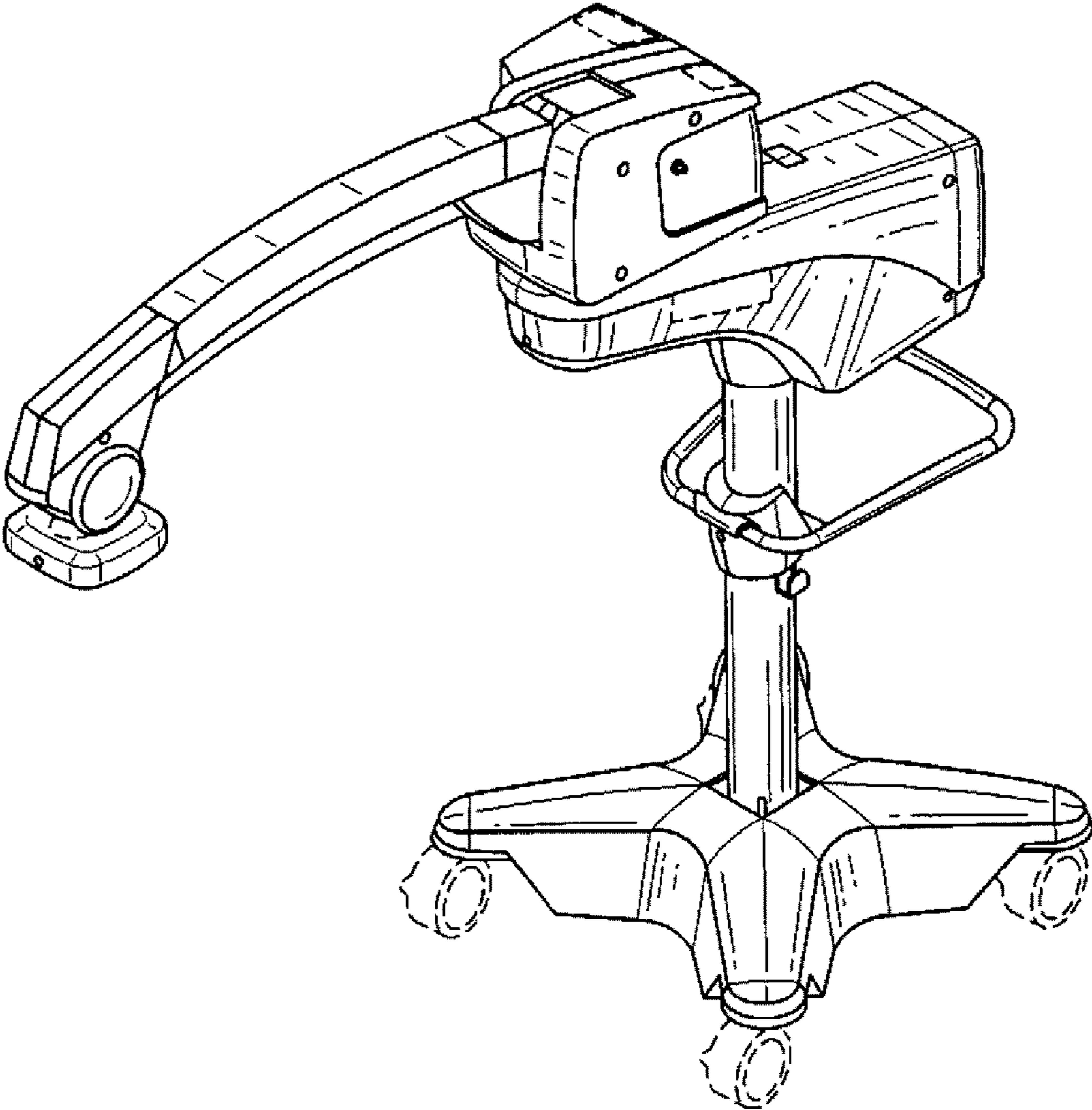


FIG. 1

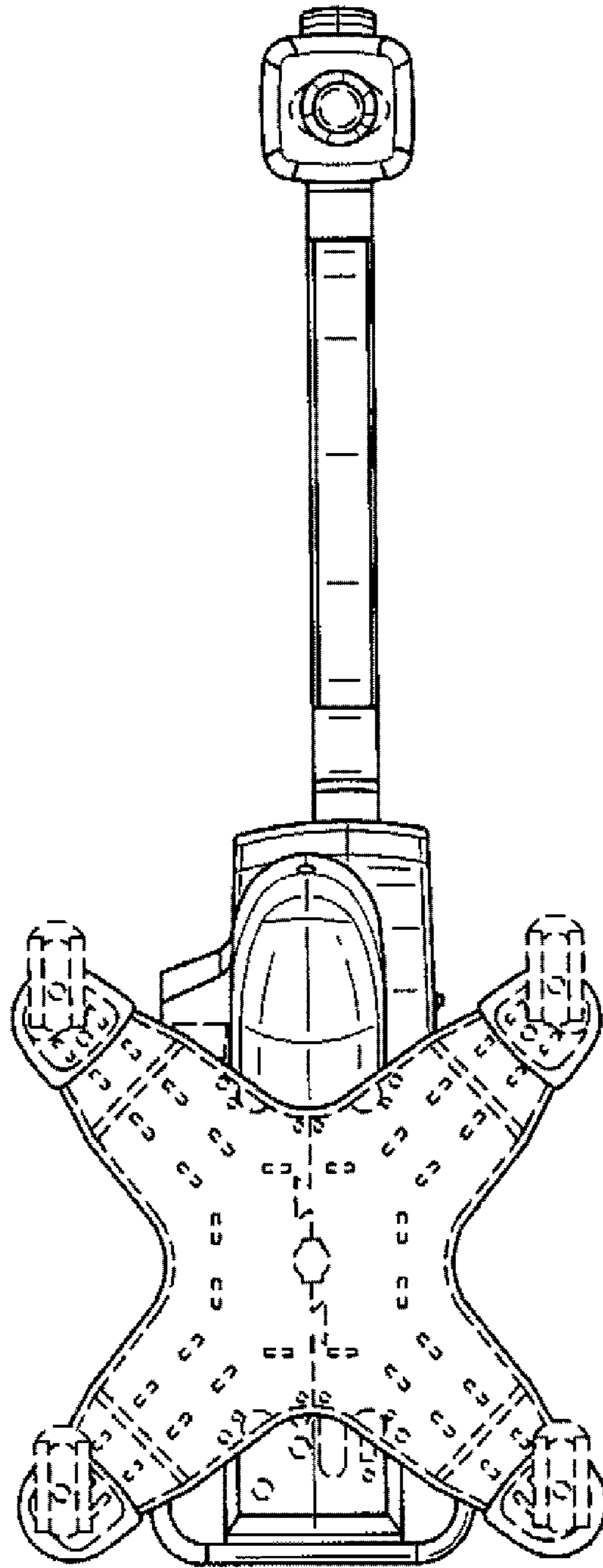


FIG. 2

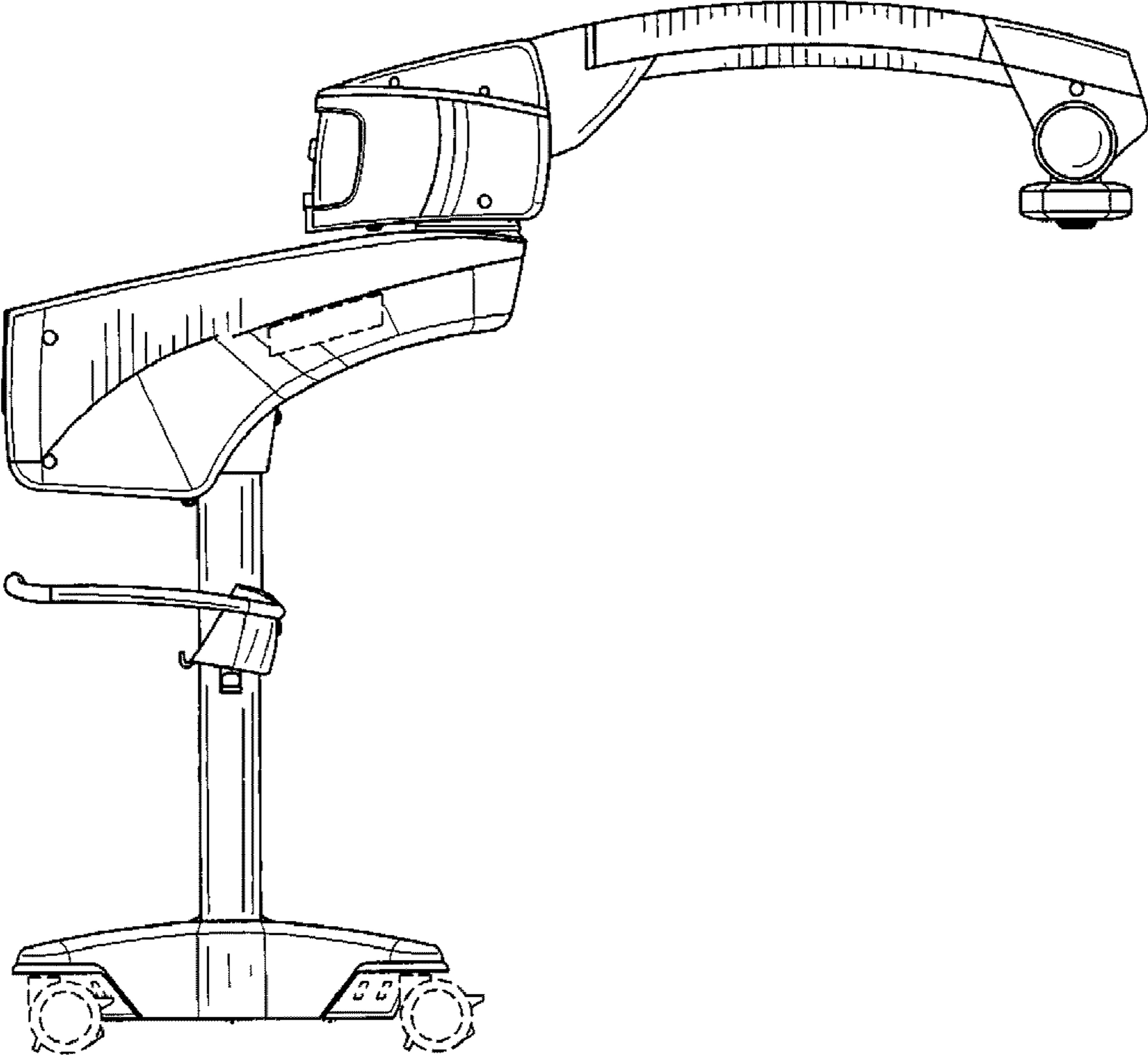


FIG. 3

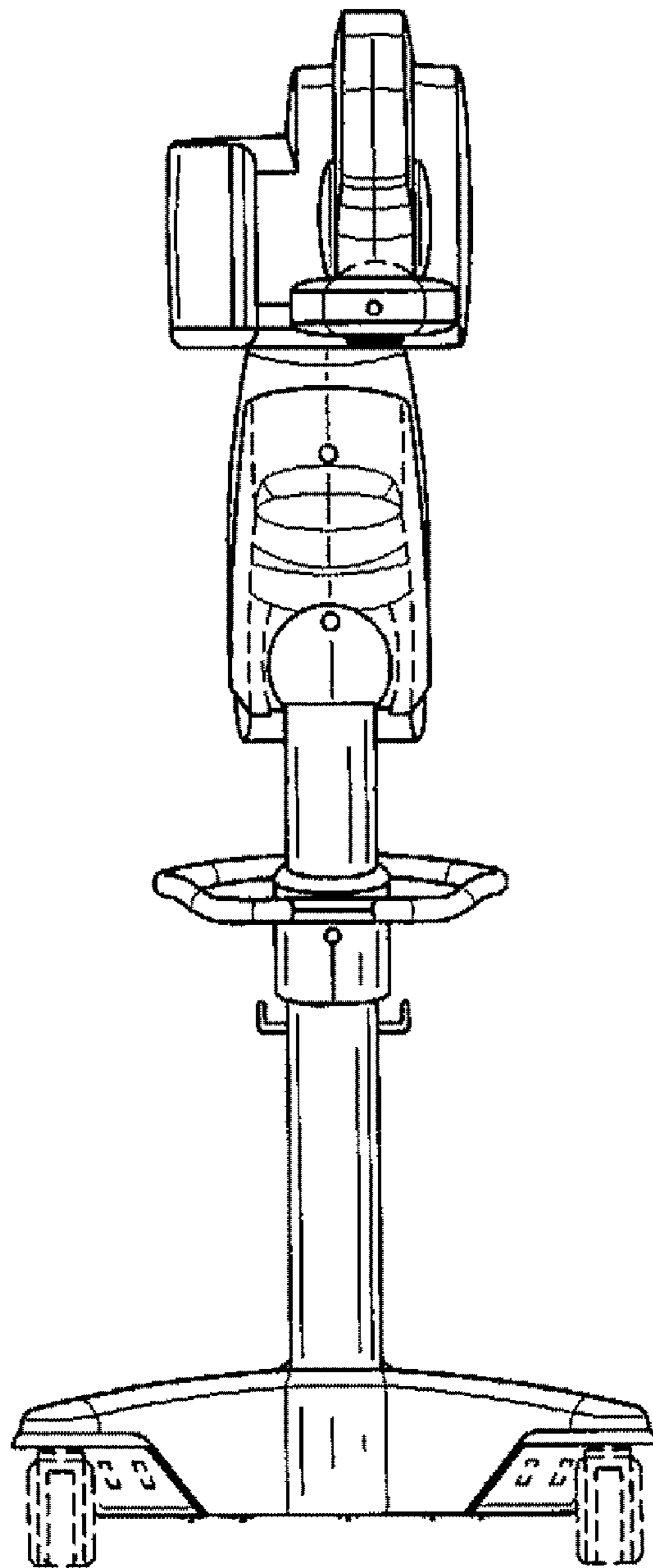


FIG. 4

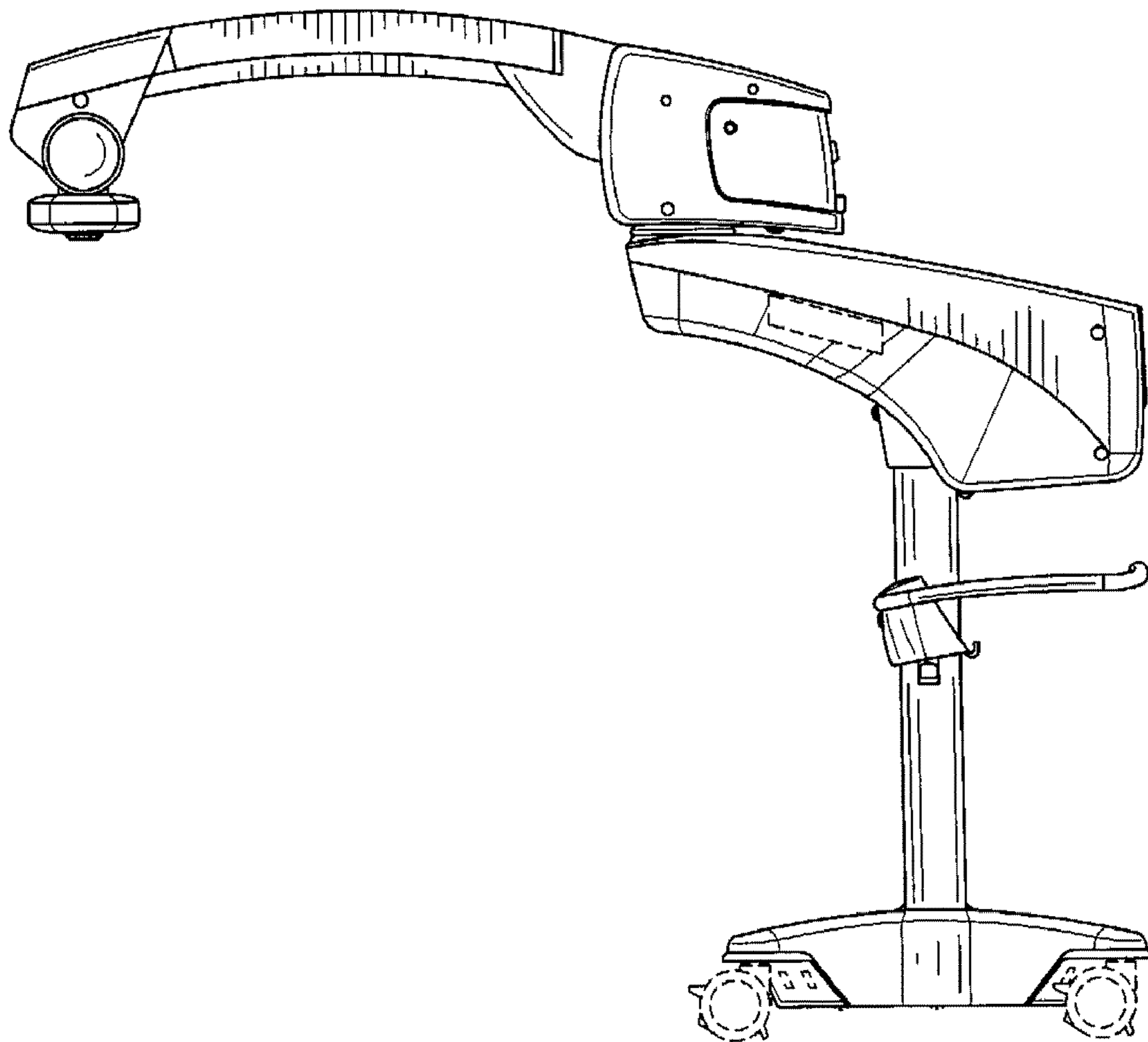


FIG. 5

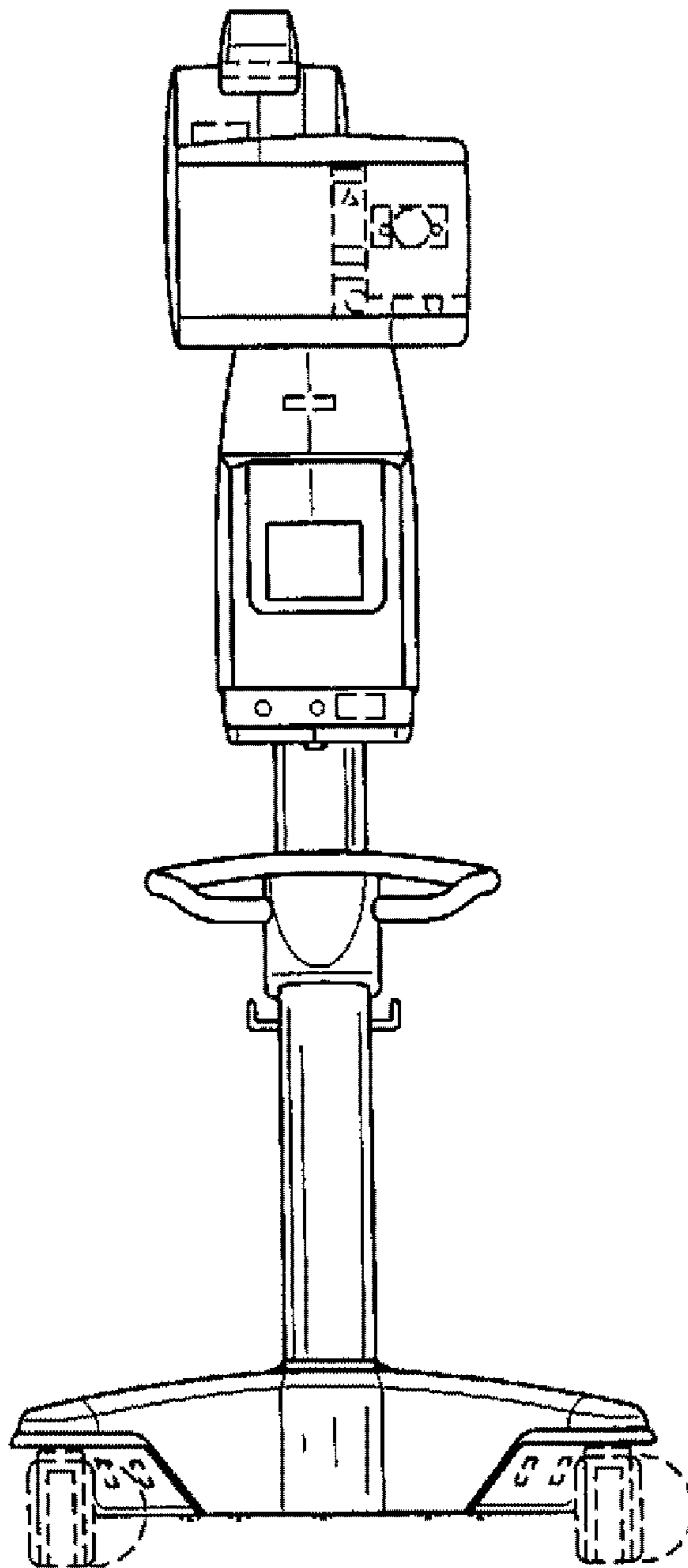


FIG. 6

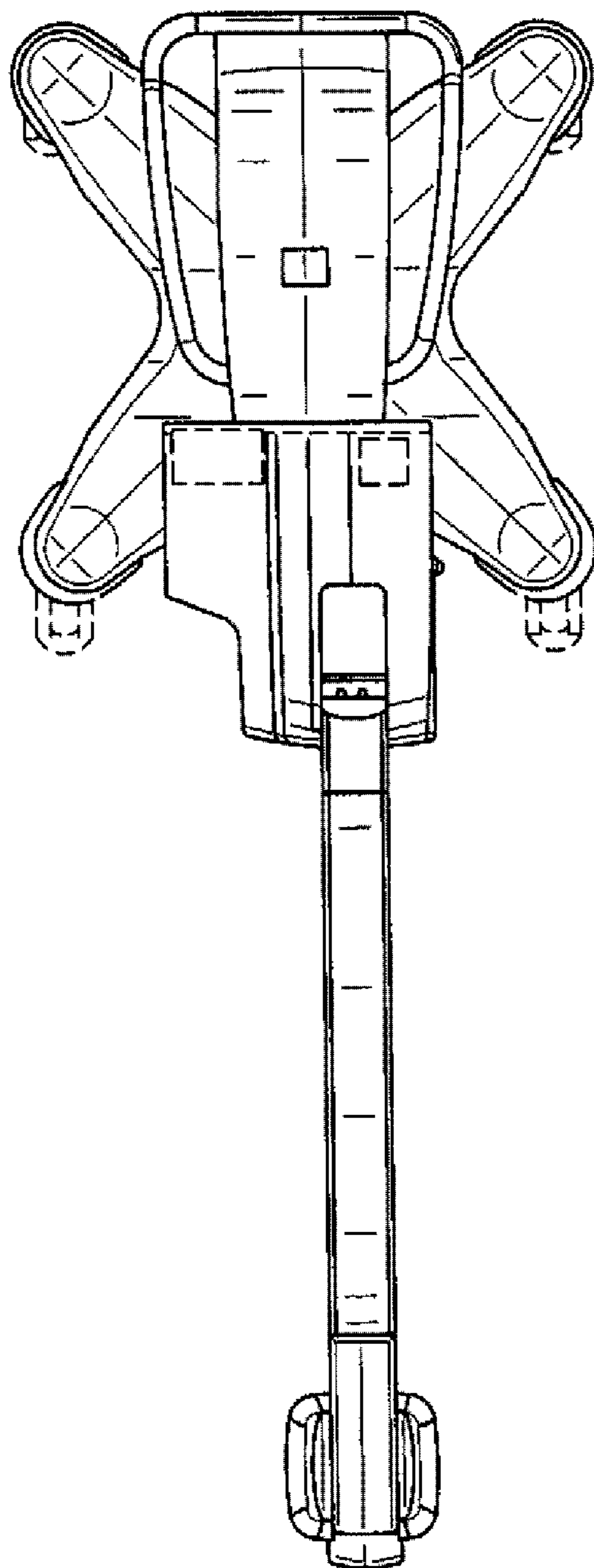


FIG. 7