



US00D649990S

(12) **United States Design Patent**
Corbell et al.

(10) **Patent No.:** **US D649,990 S**

(45) **Date of Patent:** **** Dec. 6, 2011**

(54) **ACTUATOR**

(76) Inventors: **Michael Corbell**, Trintity Beach (AU);
Kymmie Corbell, Trintity Beach (AU)

(**) **Term:** **14 Years**

(21) **Appl. No.:** **29/374,246**

(22) **Filed:** **Jul. 18, 2011**

(30) **Foreign Application Priority Data**

Jul. 7, 2011 (AU) 201113054

(51) **LOC (9) Cl.** **15-09**

(52) **U.S. Cl.** **D15/143**

(58) **Field of Classification Search** D13/158,
D13/162, 184; D15/5, 7, 9, 143, 148, 199;
74/89.15, 411.5, 490.09; 297/14, 325, 327;
310/10, 12, 15, 20, 80, 300

See application file for complete search history.

(56) **References Cited**

U.S. PATENT DOCUMENTS

D328,750 S * 8/1992 Chou D15/146
D401,950 S * 12/1998 Chou D15/146
6,064,038 A * 5/2000 Chou et al. 219/233

D478,799 S * 8/2003 Chi Kuo D8/50
D517,391 S * 3/2006 Leins D8/105
D519,469 S * 4/2006 Sorenson D13/174
D528,137 S * 9/2006 Huang D15/146
D579,034 S * 10/2008 Chang D15/146
D597,390 S * 8/2009 Godycki et al. D8/49
D600,554 S * 9/2009 Toh et al. D9/448
D614,144 S * 4/2010 Arosio D13/166
D624,102 S * 9/2010 Tseng D15/143
2002/0070206 A1 * 6/2002 Chou et al. 219/243

* cited by examiner

Primary Examiner — Patricia Palasik

(74) *Attorney, Agent, or Firm* — The Halvorson Law Firm

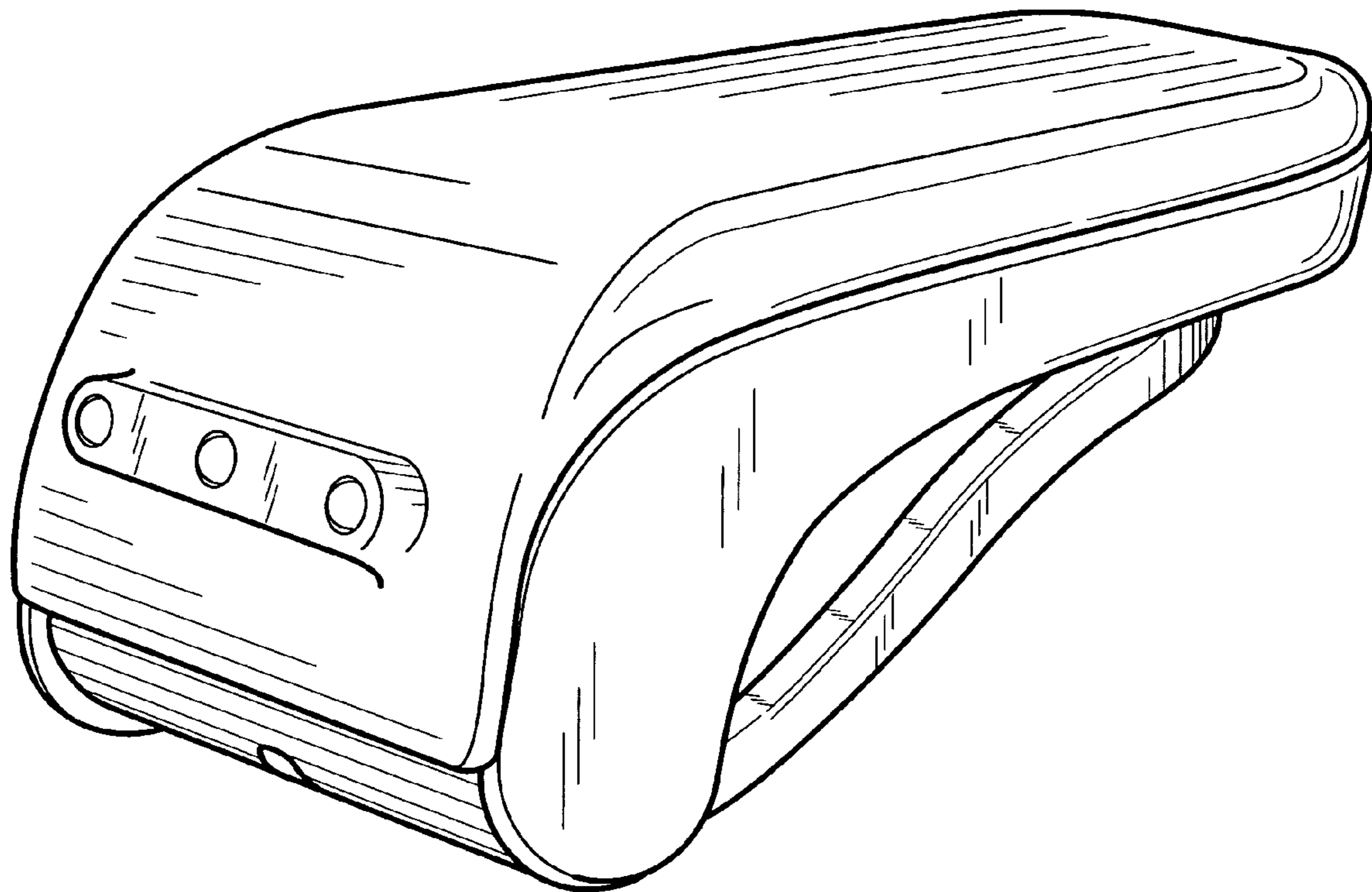
(57) **CLAIM**

The ornamental design for an actuator, as shown and described.

DESCRIPTION

FIG. 1 is a perspective view of the actuator;
FIG. 2 is a second perspective view of the actuator;
FIG. 3 is a left side view of the actuator;
FIG. 4 is a top plan view of the actuator;
FIG. 5 is a bottom perspective view of the actuator; and,
FIG. 6 is a top front perspective view of the actuator.

1 Claim, 4 Drawing Sheets



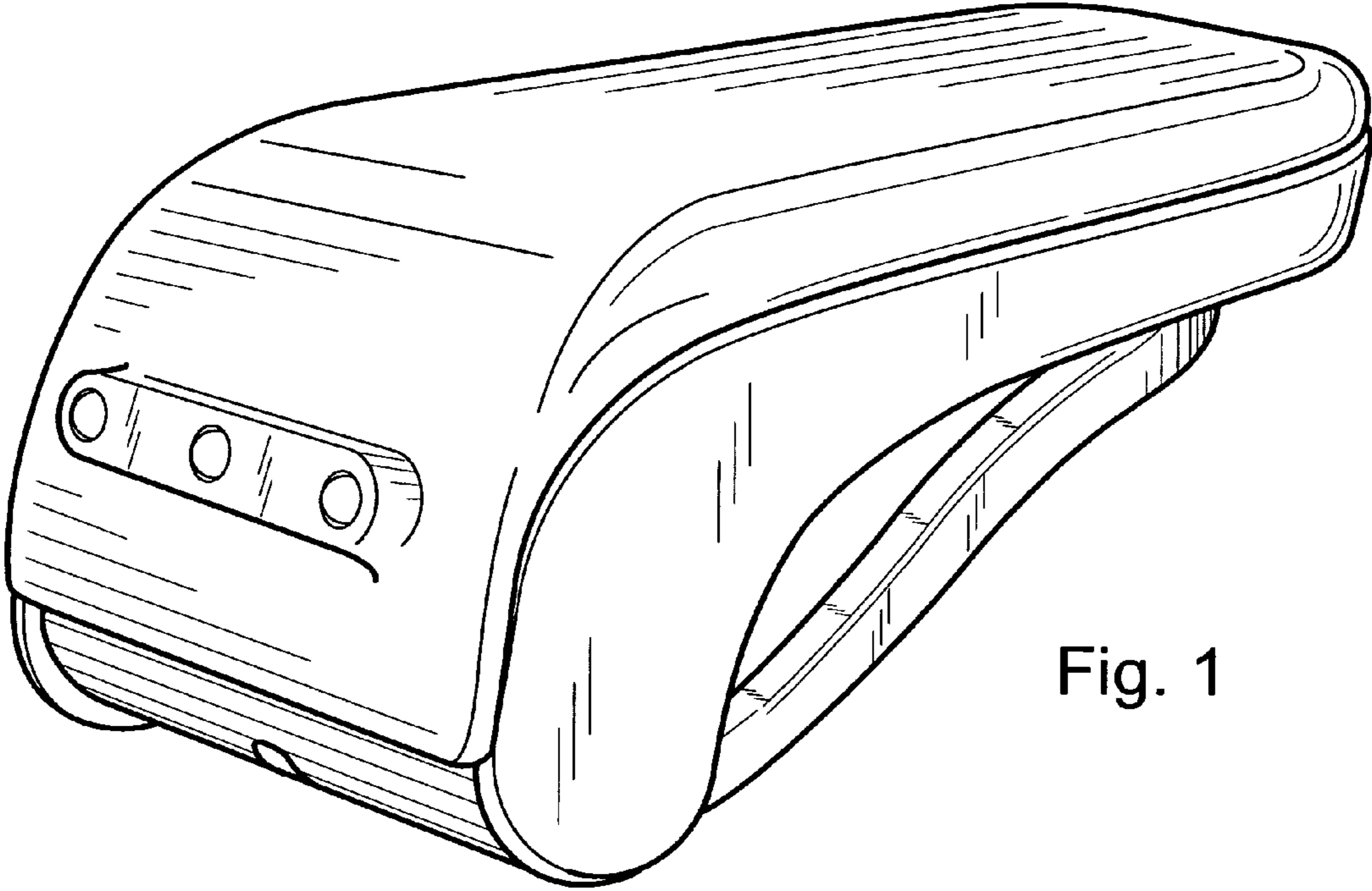


Fig. 1

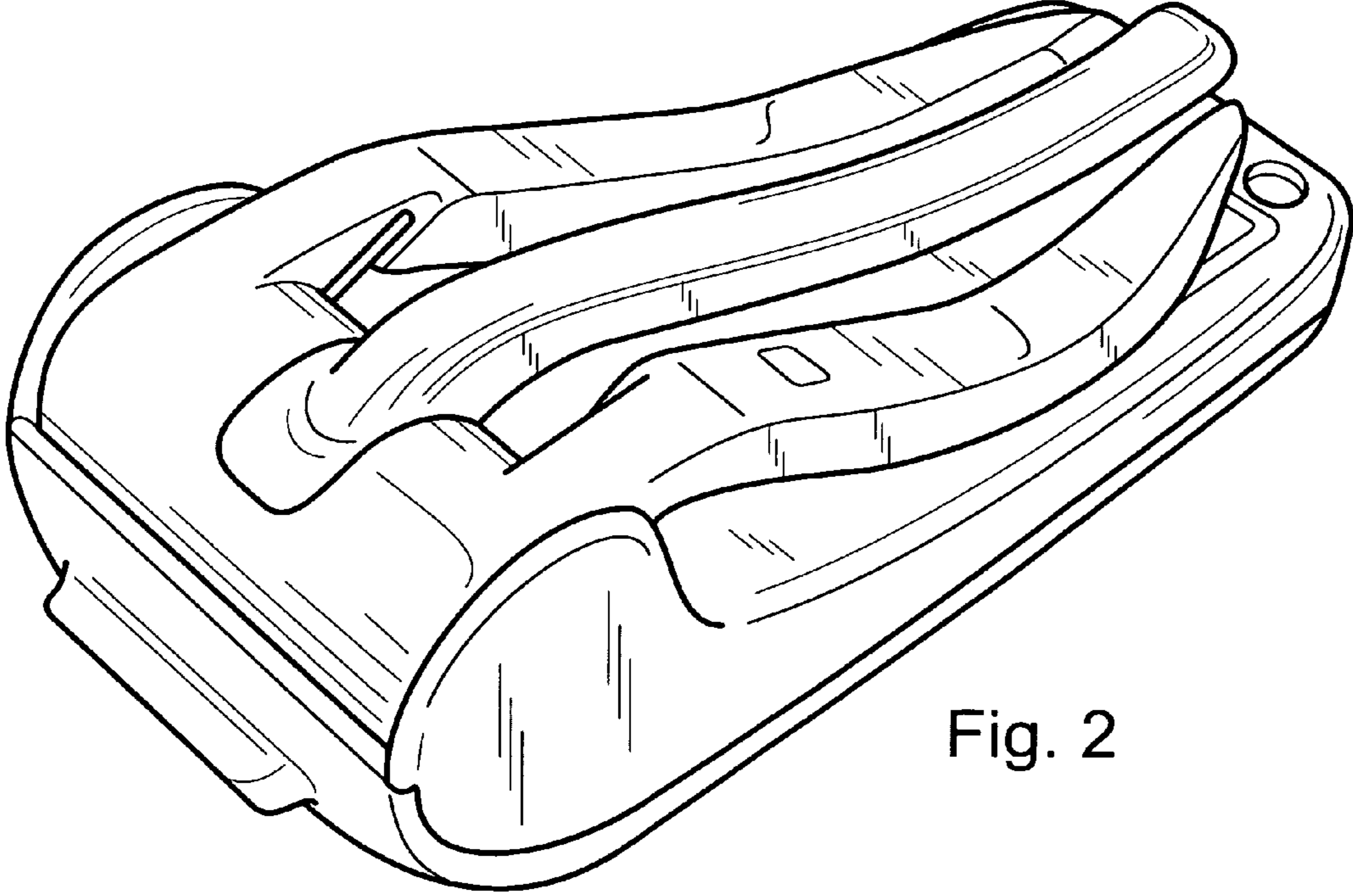


Fig. 2

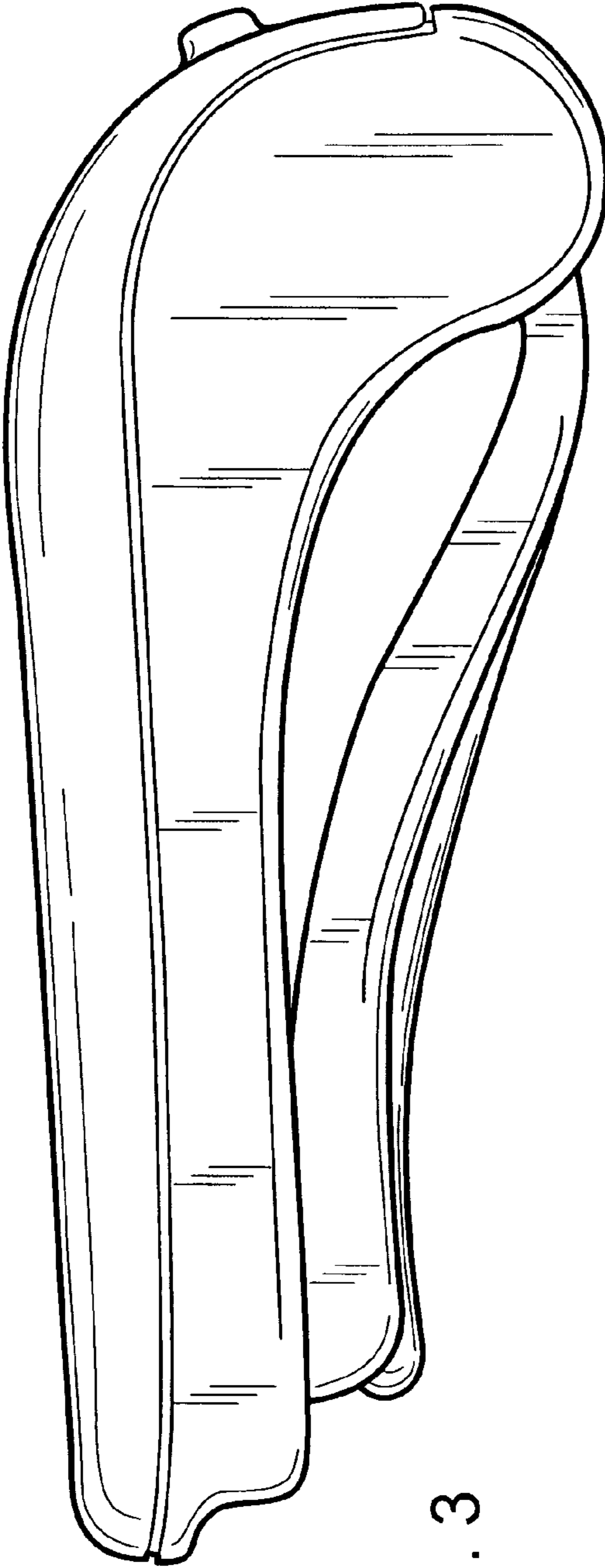


Fig. 3

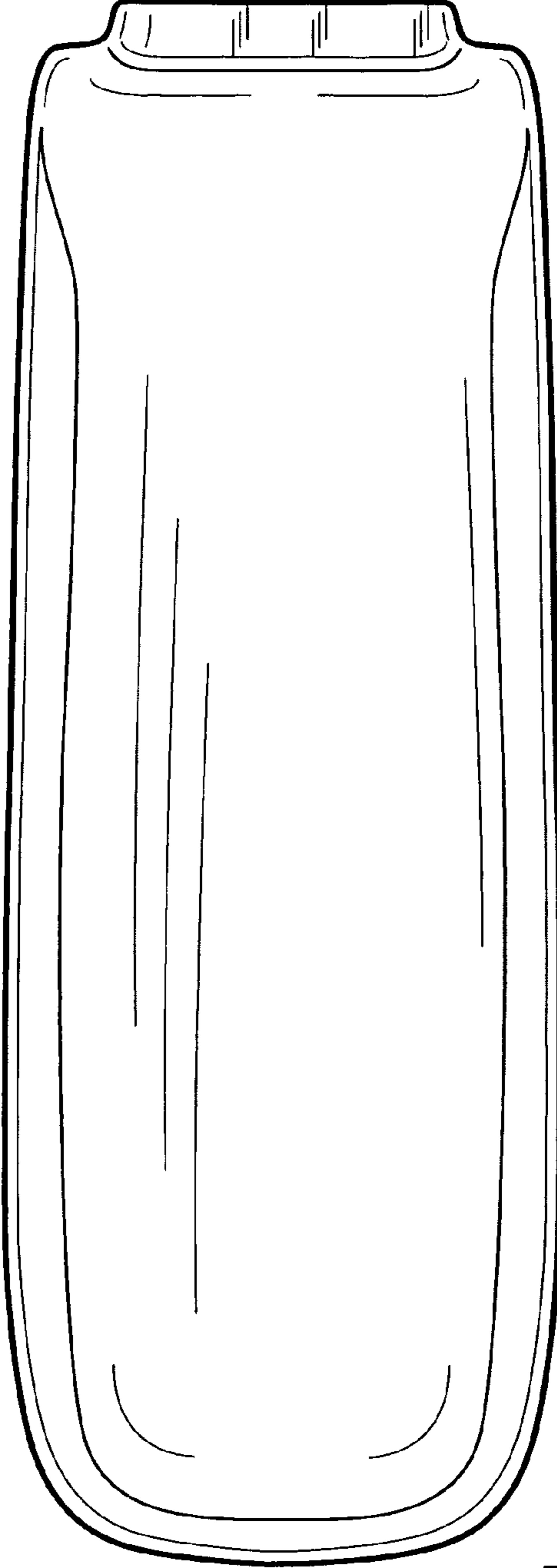


Fig. 4

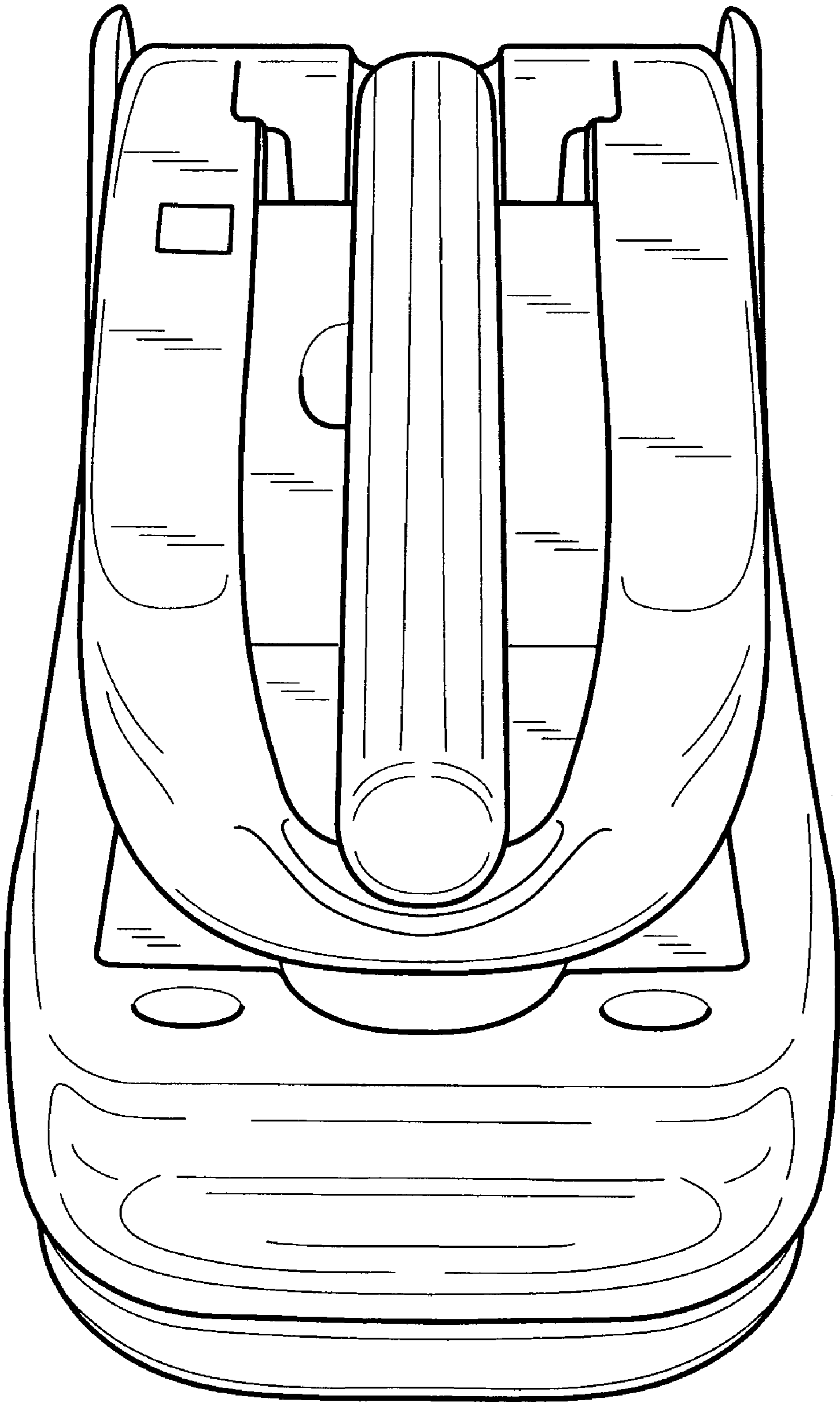


Fig. 5

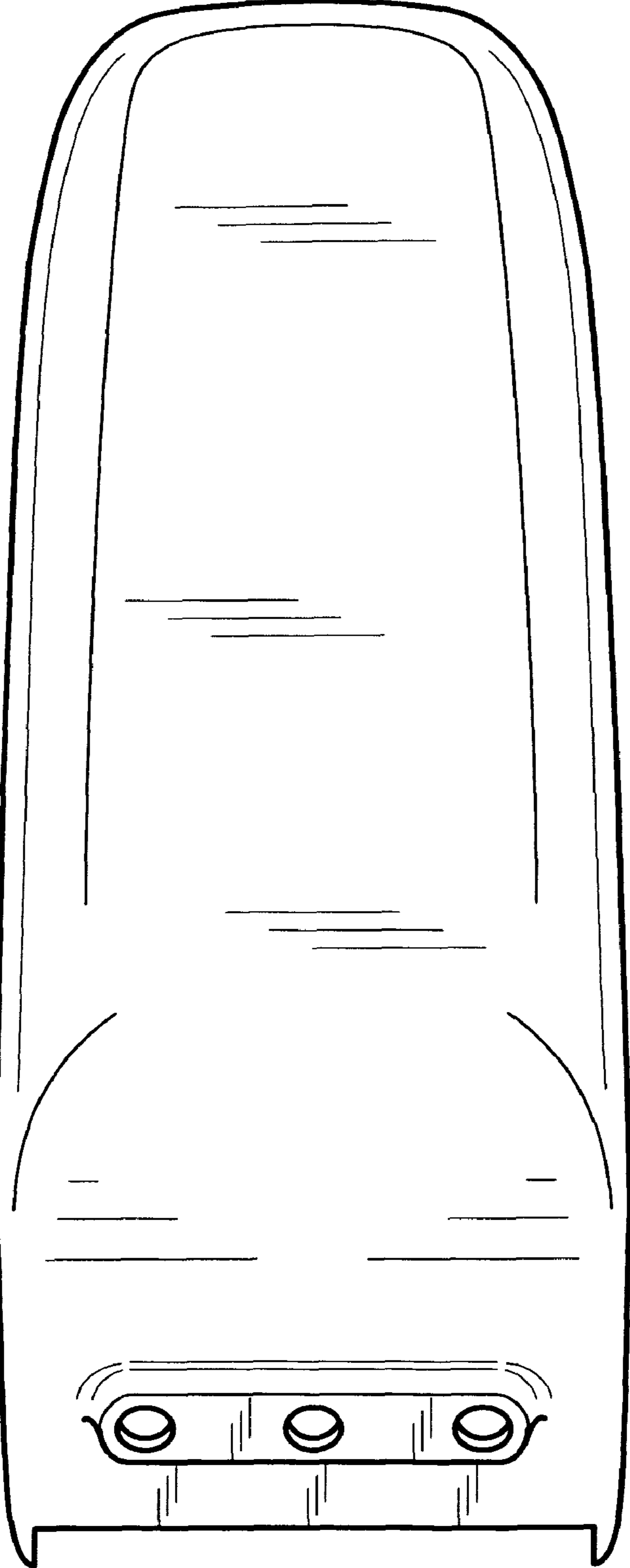


Fig. 6