



US00D649988S

(12) **United States Design Patent**
Frejd

(10) **Patent No.:** **US D649,988 S**

(45) **Date of Patent:** **** Dec. 6, 2011**

(54) **DRILLING TOOL TIP**

(75) Inventor: **Stefan Frejd**, Söderköping (SE)

(73) Assignee: **Seco Tools AB**, Fagersta (SE)

(**) Term: **14 Years**

(21) Appl. No.: **29/379,783**

(22) Filed: **Nov. 24, 2010**

(30) **Foreign Application Priority Data**

Jun. 2, 2010 (EM) 001217699-0002

(51) **LOC (9) Cl.** **15-09**

(52) **U.S. Cl.** **D15/139**

(58) **Field of Classification Search** D8/70;
D15/138, 139, 140; 83/845; 403/331, 381;
407/9, 33, 34, 42, 54, 63, 110, 113, 114,
407/115; 408/224, 226-230

See application file for complete search history.

(56) **References Cited**

U.S. PATENT DOCUMENTS

7,070,010 B2 * 7/2006 Papousek 175/415
D590,851 S * 4/2009 Frejd D15/139
D602,965 S * 10/2009 Frejd D15/139

2004/0134688 A1 * 7/2004 Papousek 175/415
2006/0029477 A1 * 2/2006 Anjanappa et al. 408/230
2006/0032676 A1 * 2/2006 Papousek 175/415
2008/0166196 A1 * 7/2008 Zhu 408/230

* cited by examiner

Primary Examiner — Patricia Palasik

(74) *Attorney, Agent, or Firm* — WRB-IP LLP

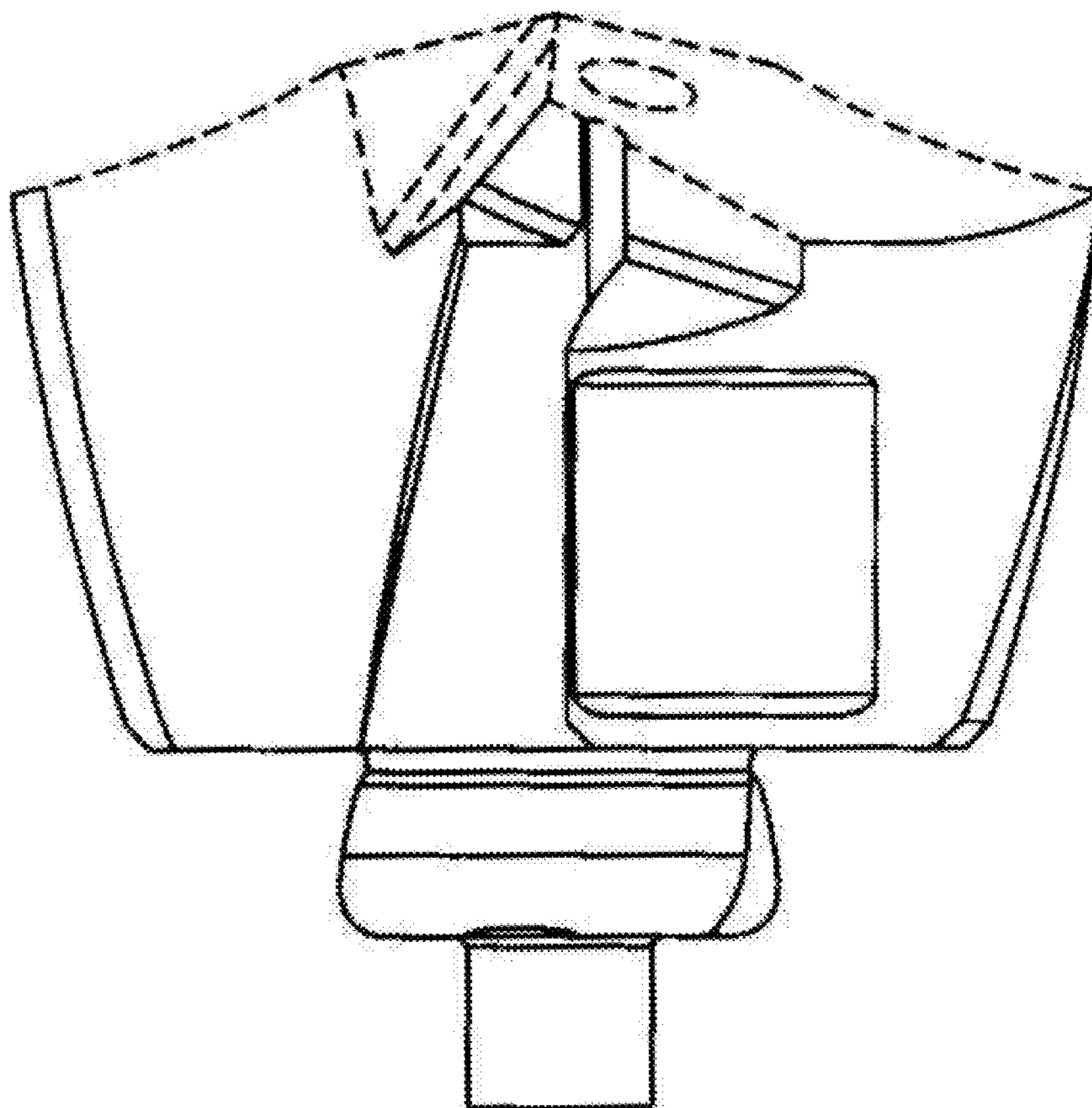
(57) **CLAIM**

The ornamental design for a drilling tool tip, as shown and described.

DESCRIPTION

FIG. 1 is a front view of a drilling tool tip;
FIG. 2 is a right hand side view of the drilling tool tip of FIG. 1 turned 90° about its axis,
FIG. 3 is a left hand side view of the drilling tool tip,
FIG. 4 is a rear view of the drilling tool tip,
FIG. 5 is a bottom view of the drilling tool tip; and,
FIG. 6 is a top view of the drilling tool tip.
FIG. 7 is a bottom, perspective view of the drilling tool tip; and,
FIG. 8 is a top, perspective view of the drilling tool tip.
Broken lines shown in the drawings are for illustrative purposes only and form no part of the claimed design.

1 Claim, 1 Drawing Sheet



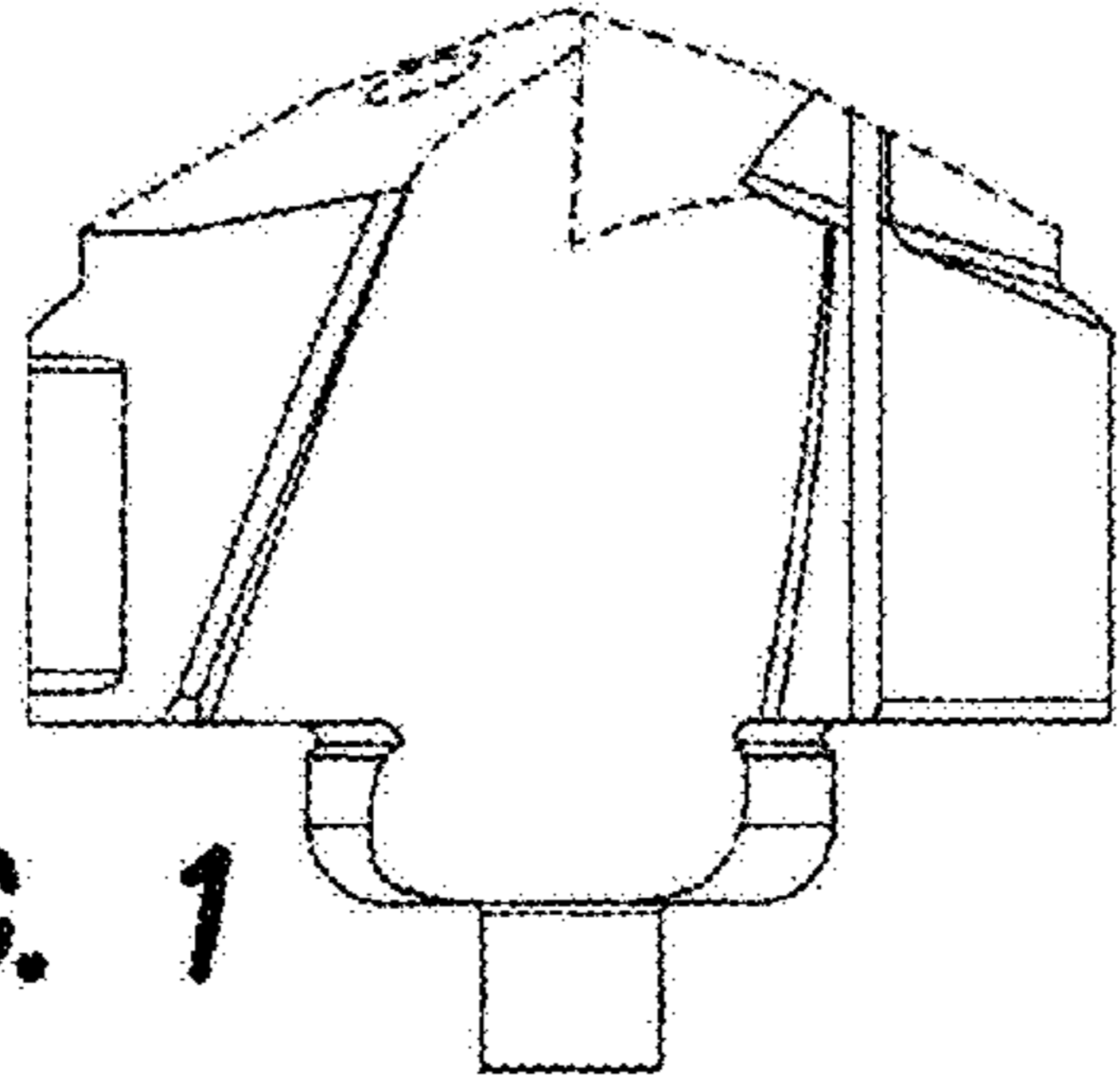


FIG. 1

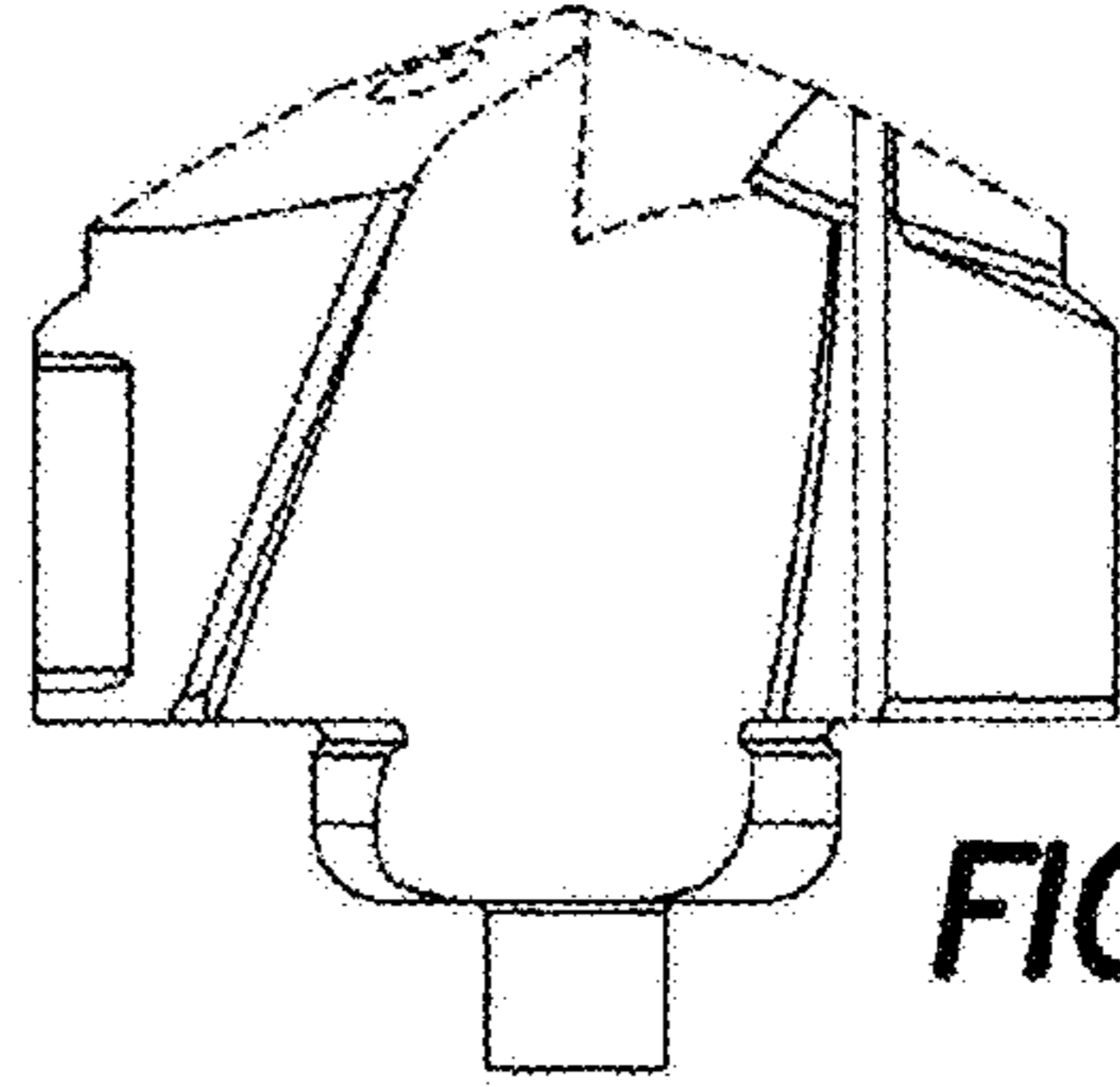


FIG. 4

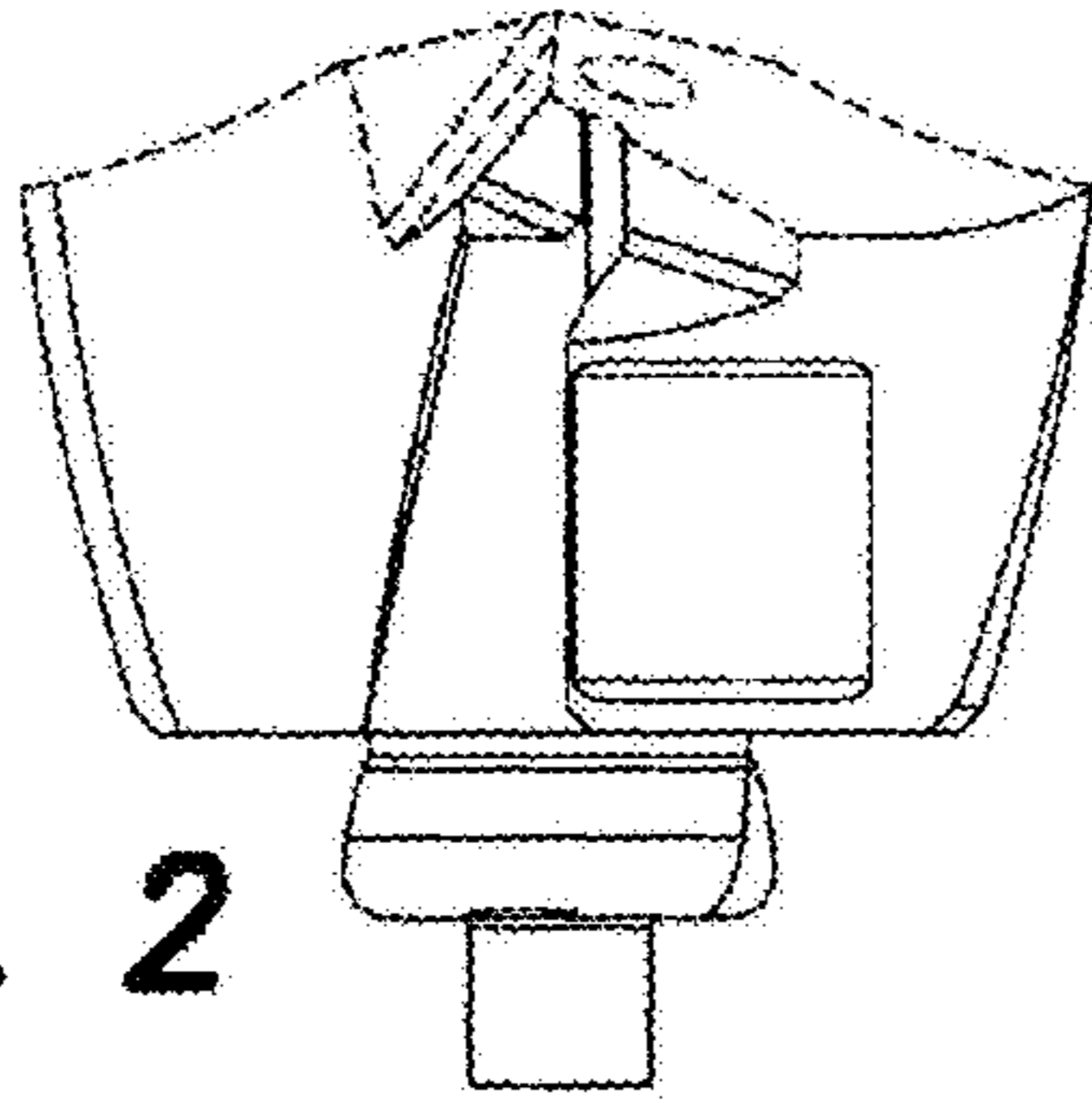


FIG. 2

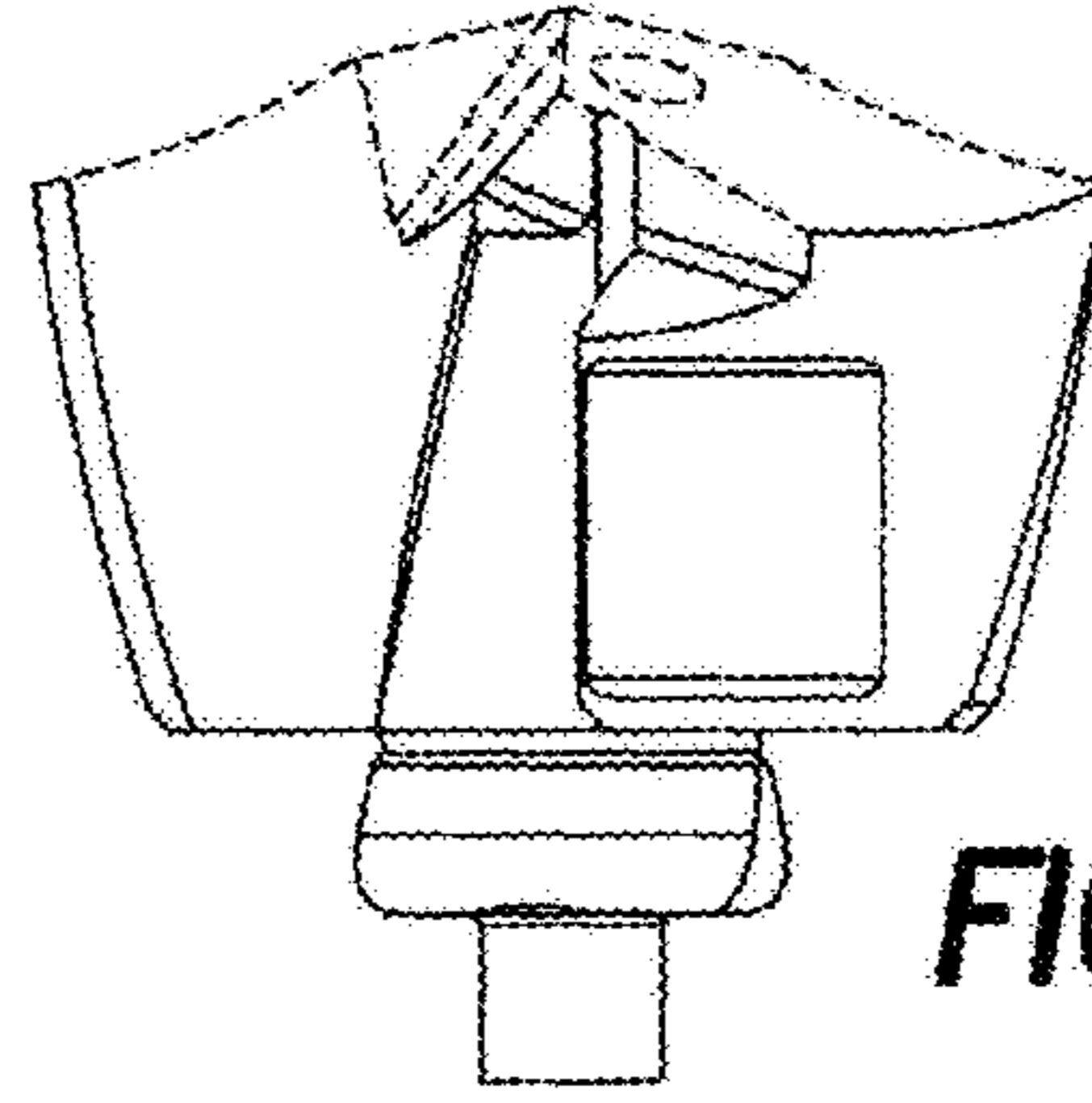


FIG. 3

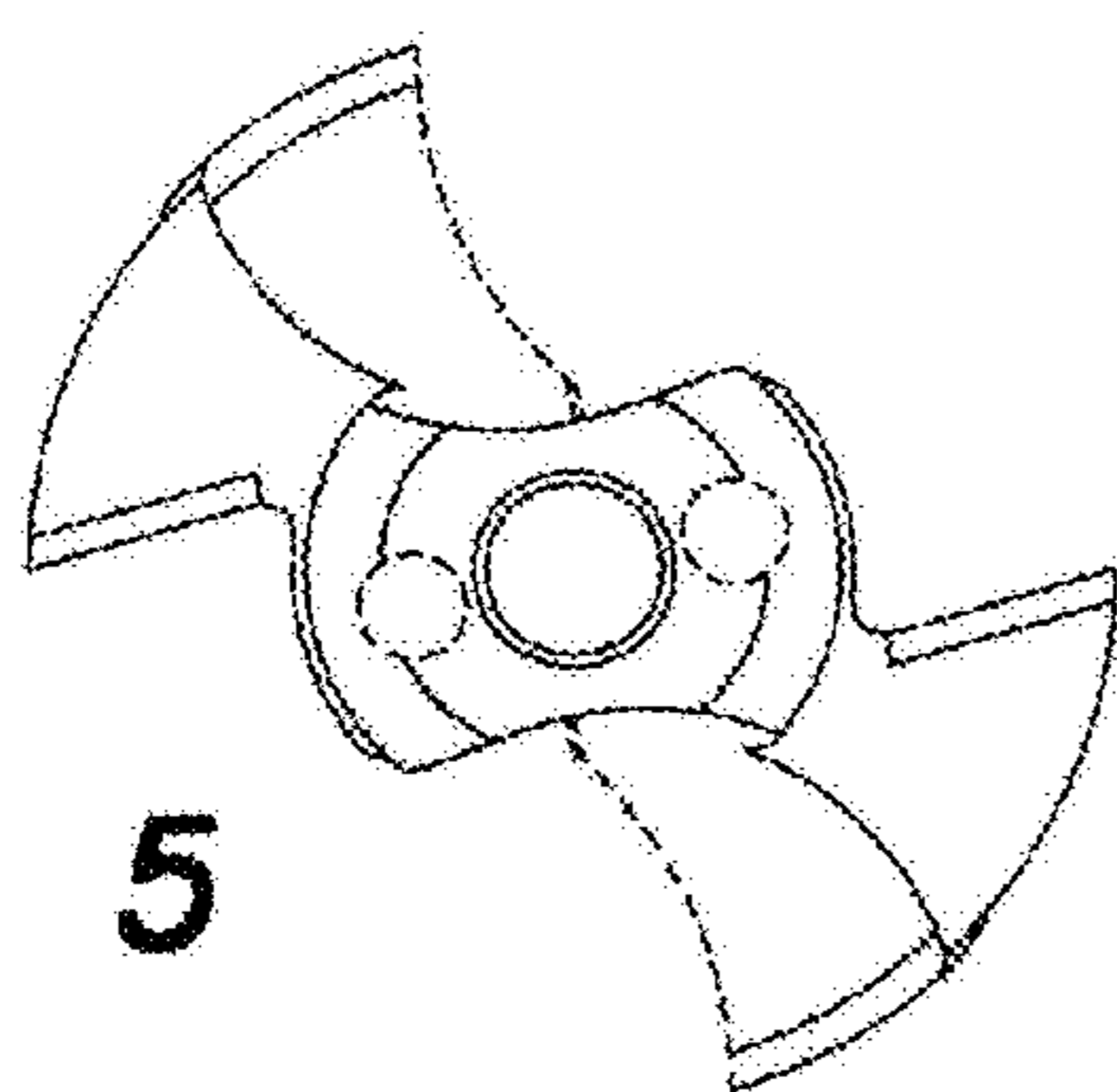


FIG. 5

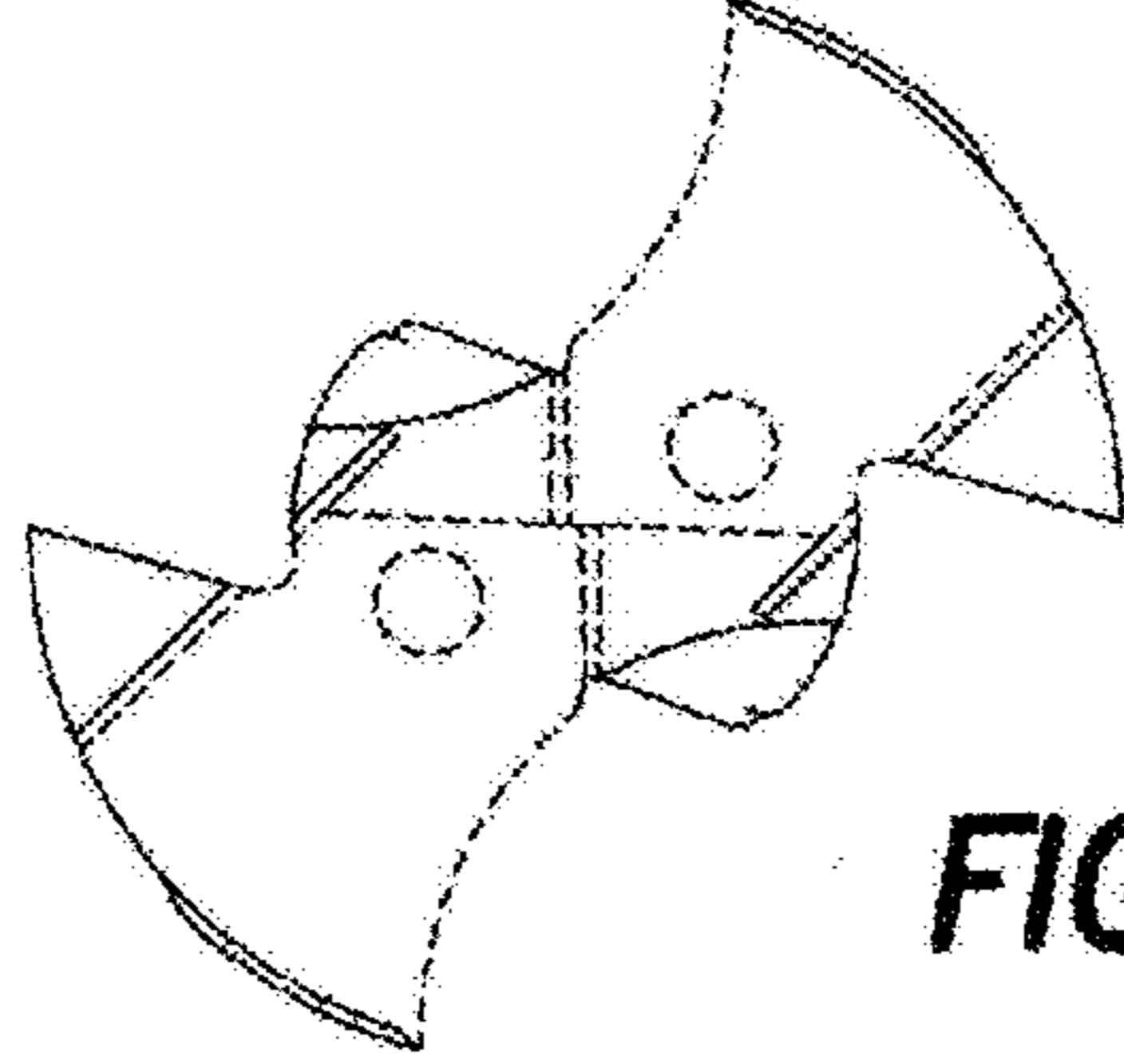


FIG. 6

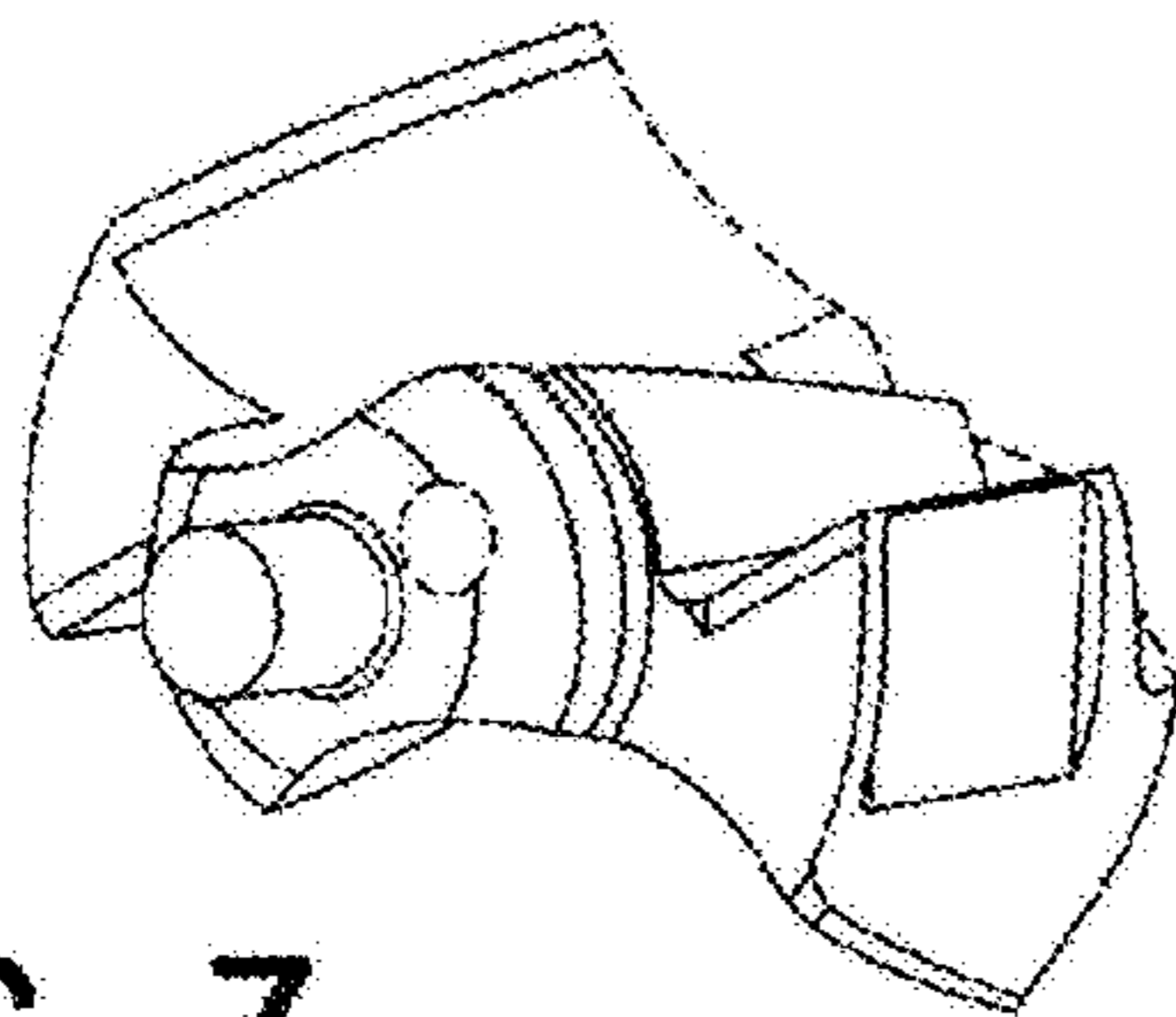


FIG. 7

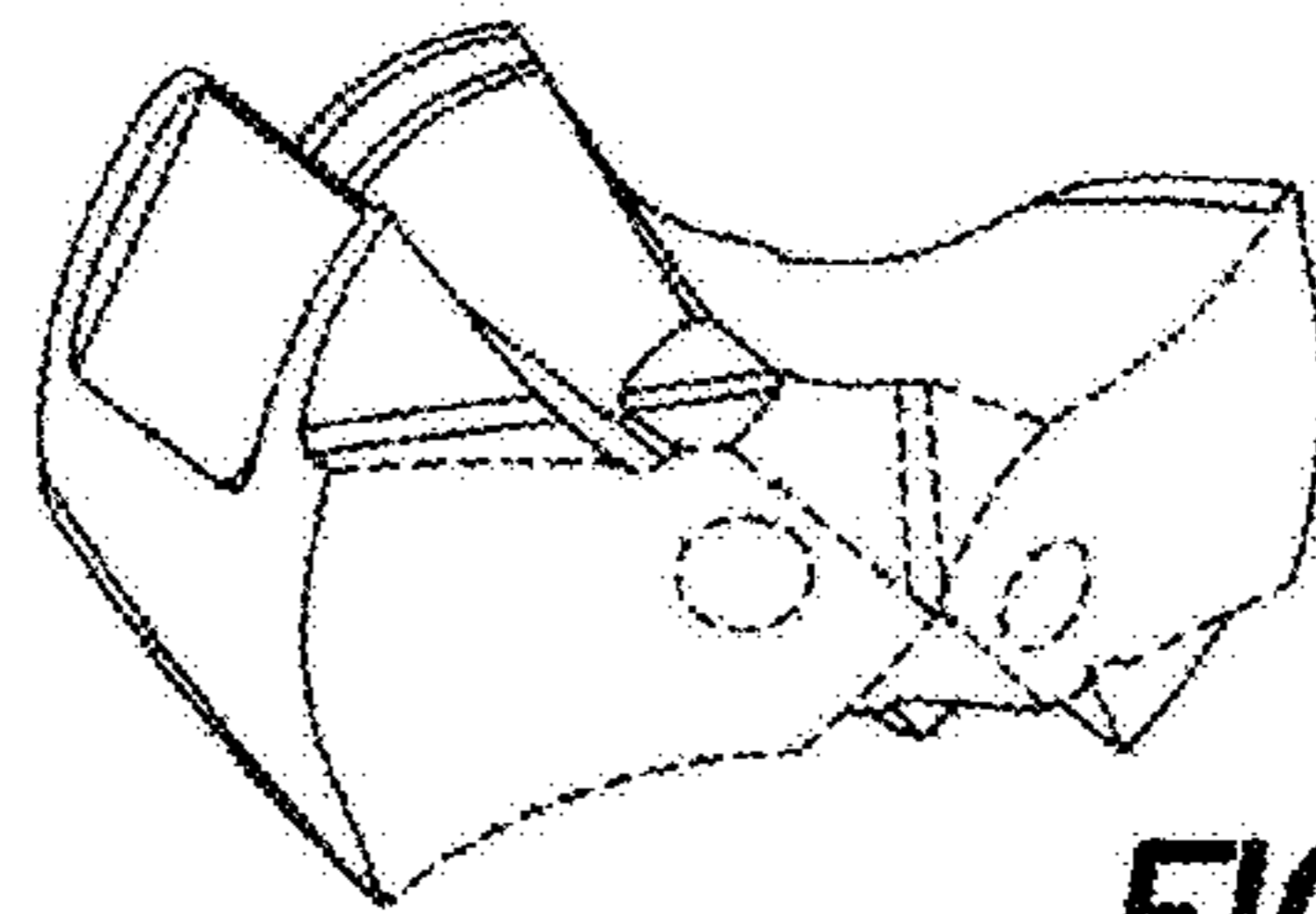


FIG. 8