



US00D649985S

(12) **United States Design Patent**
Jeon et al.

(10) **Patent No.:** **US D649,985 S**

(45) **Date of Patent:** **** Dec. 6, 2011**

(54) **SHELF FOR REFRIGERATOR**

(75) Inventors: **Sang Woon Jeon**, Kyunggi-do (KR);
Jong Youn Kim, Seoul (KR)

(73) Assignee: **Samsung Electronics, Co., Ltd.**,
Suwon-Si (KR)

(**) Term: **14 Years**

(21) Appl. No.: **29/377,170**

(22) Filed: **Oct. 18, 2010**

(51) **LOC (9) Cl.** **15-07**

(52) **U.S. Cl.** **D15/89**

(58) **Field of Classification Search** D15/79,
D15/81, 89, 91; 62/3.6, 3.63, 3.64, 246-255;
312/114, 116, 236, 400-408

See application file for complete search history.

(56) **References Cited**

U.S. PATENT DOCUMENTS

D292,516 S	*	10/1987	Wolff	D15/89
D344,739 S	*	3/1994	Edman et al.	D15/89
D490,091 S	*	5/2004	Quinlan	D15/89
D511,177 S	*	11/2005	Jackovin et al.	D15/89
D511,179 S	*	11/2005	Tunzi	D15/89

D522,542 S	*	6/2006	Czach et al.	D15/89
D527,749 S	*	9/2006	Eveland et al.	D15/89
D591,314 S	*	4/2009	Baacke et al.	15/89
D591,315 S	*	4/2009	Baacke et al.	D15/89
D603,883 S	*	11/2009	Placke et al.	D15/89
D607,021 S	*	12/2009	Baacke et al.	D15/89

* cited by examiner

Primary Examiner — Shanda C Hill

(74) *Attorney, Agent, or Firm* — Ladas & Parry LLP

(57) **CLAIM**

We claim the ornamental design for a shelf for refrigerator, as shown.

DESCRIPTION

FIG. 1 is a front, top, right-side perspective view of a shelf for refrigerator showing our new design; FIG. 2 is a front-side elevational view thereof; FIG. 3 is a rear-side elevational view thereof; FIG. 4 is a left-side elevational view thereof; FIG. 5 is a right-side elevational view thereof; FIG. 6 is a top plan view thereof; and, FIG. 7 is a bottom plan view thereof.

1 Claim, 6 Drawing Sheets

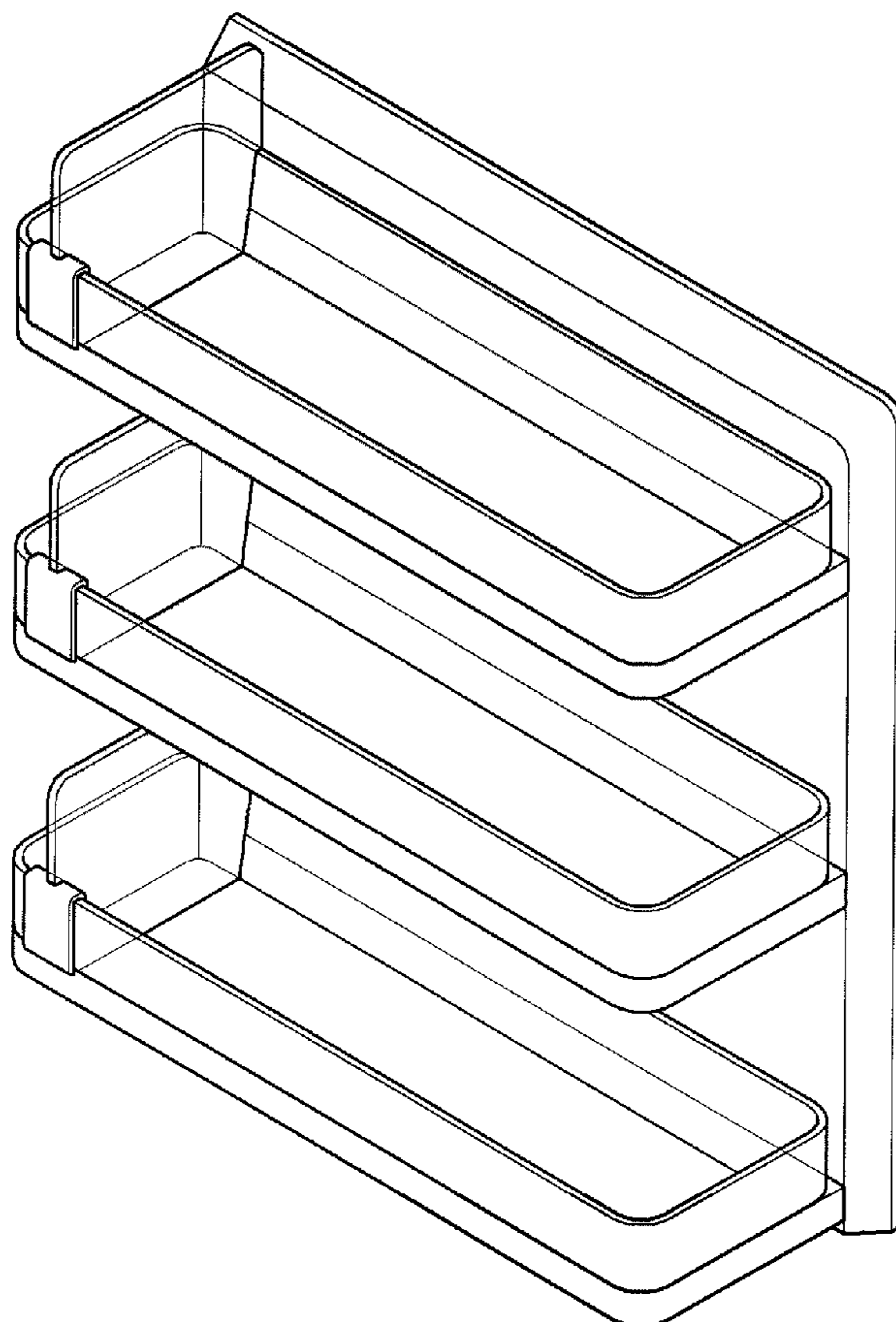


FIG. 1

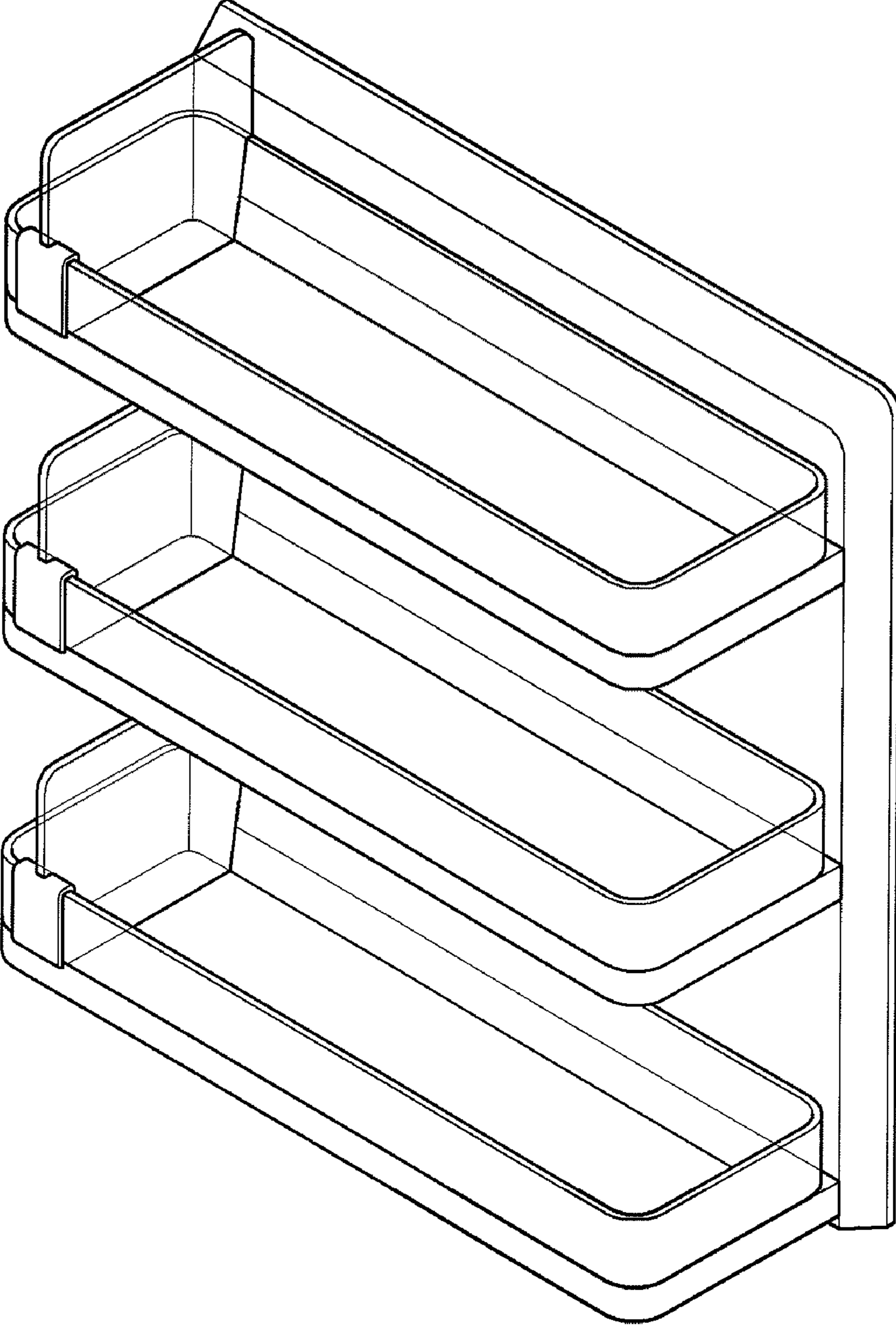


FIG. 2

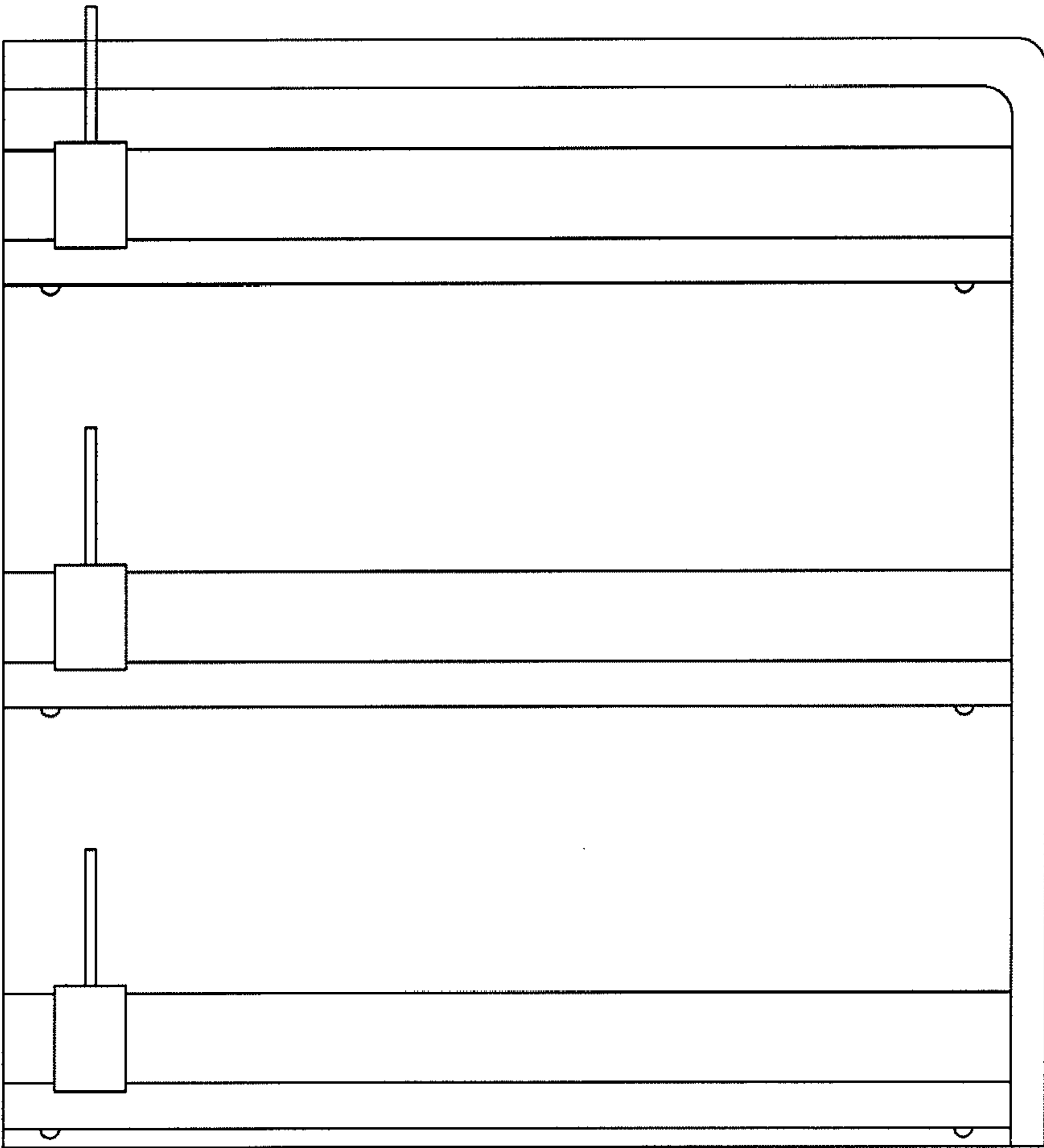


FIG. 3

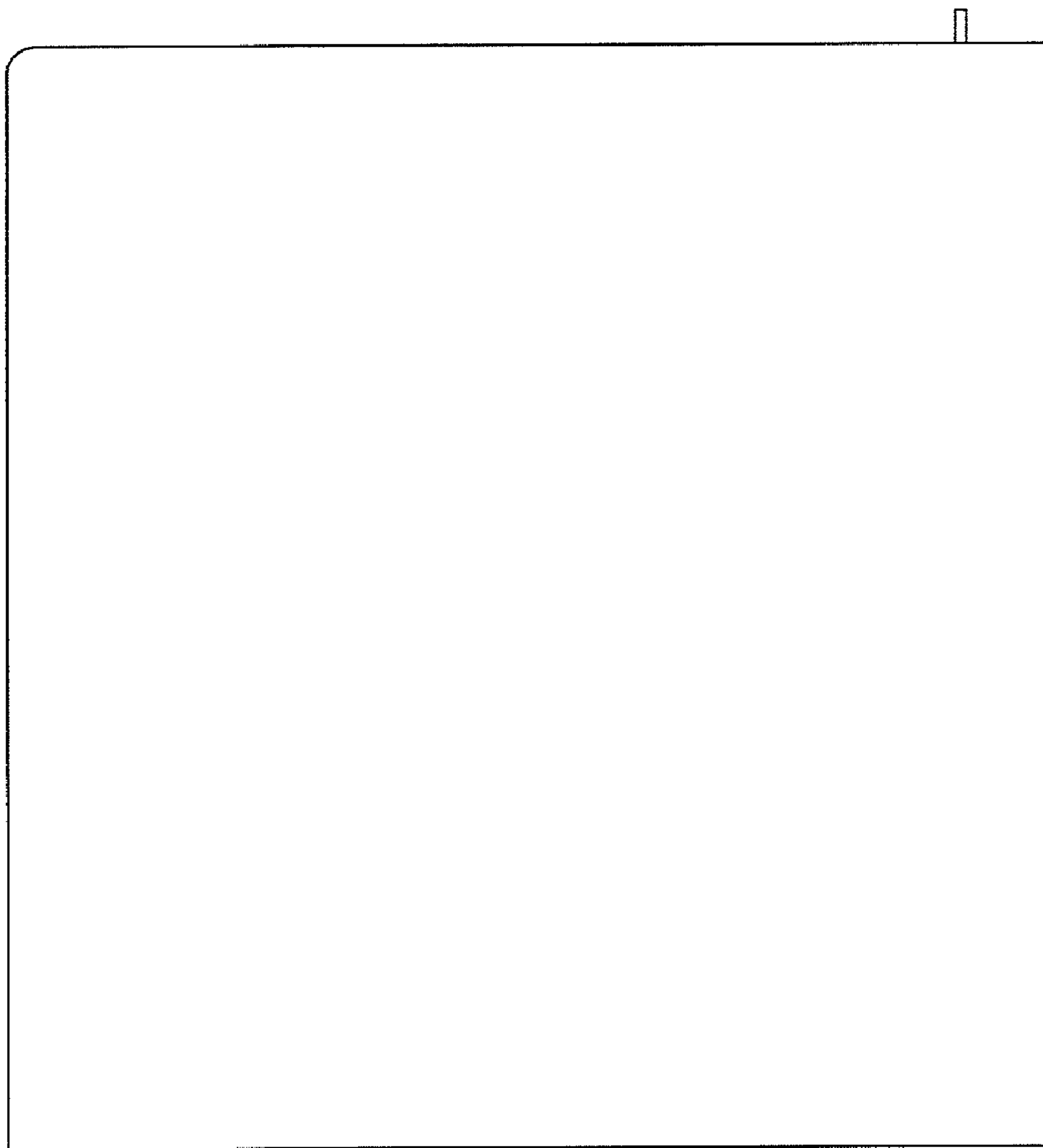


FIG. 4

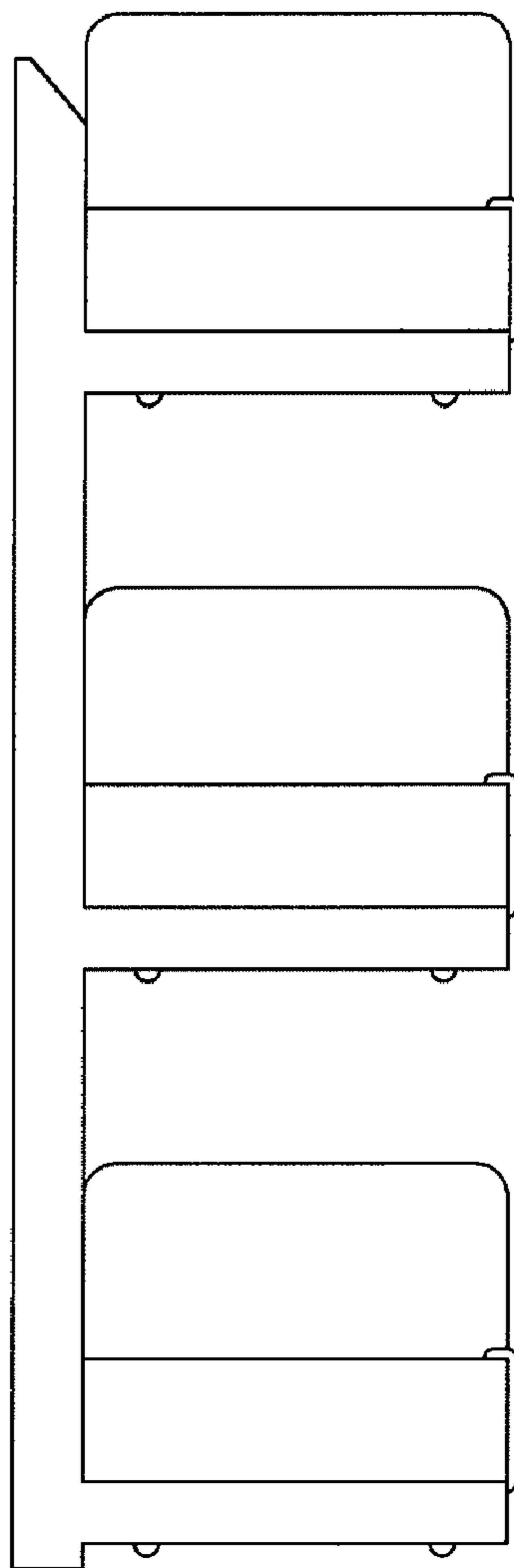


FIG. 5

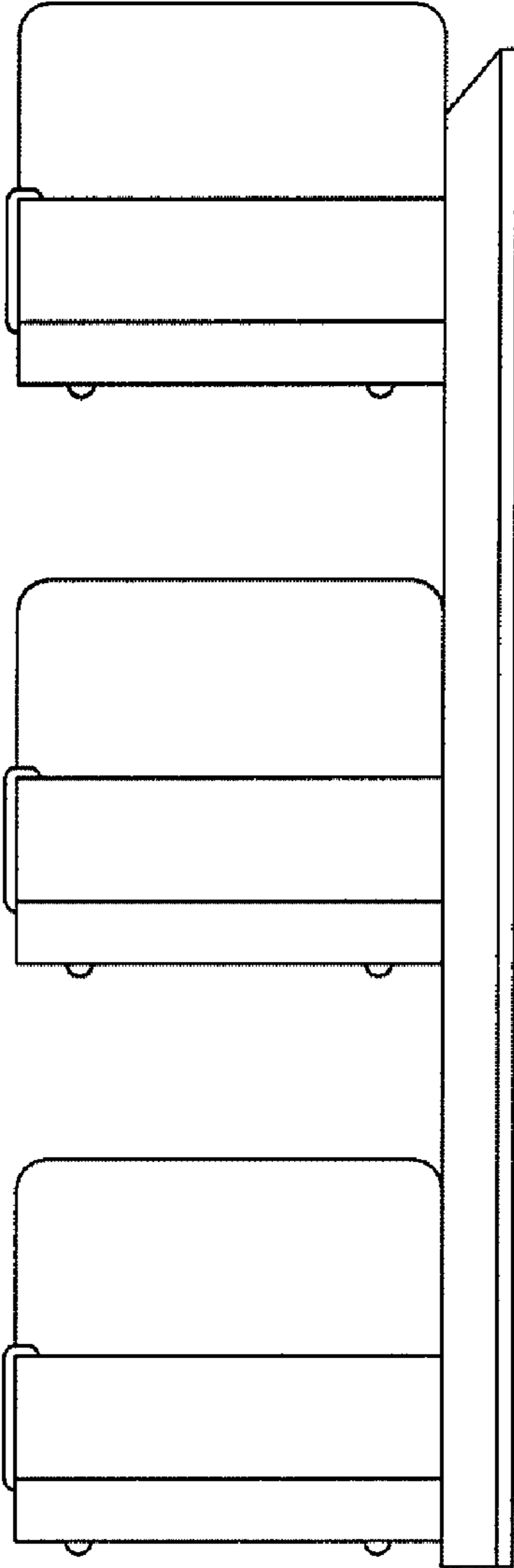


FIG. 6

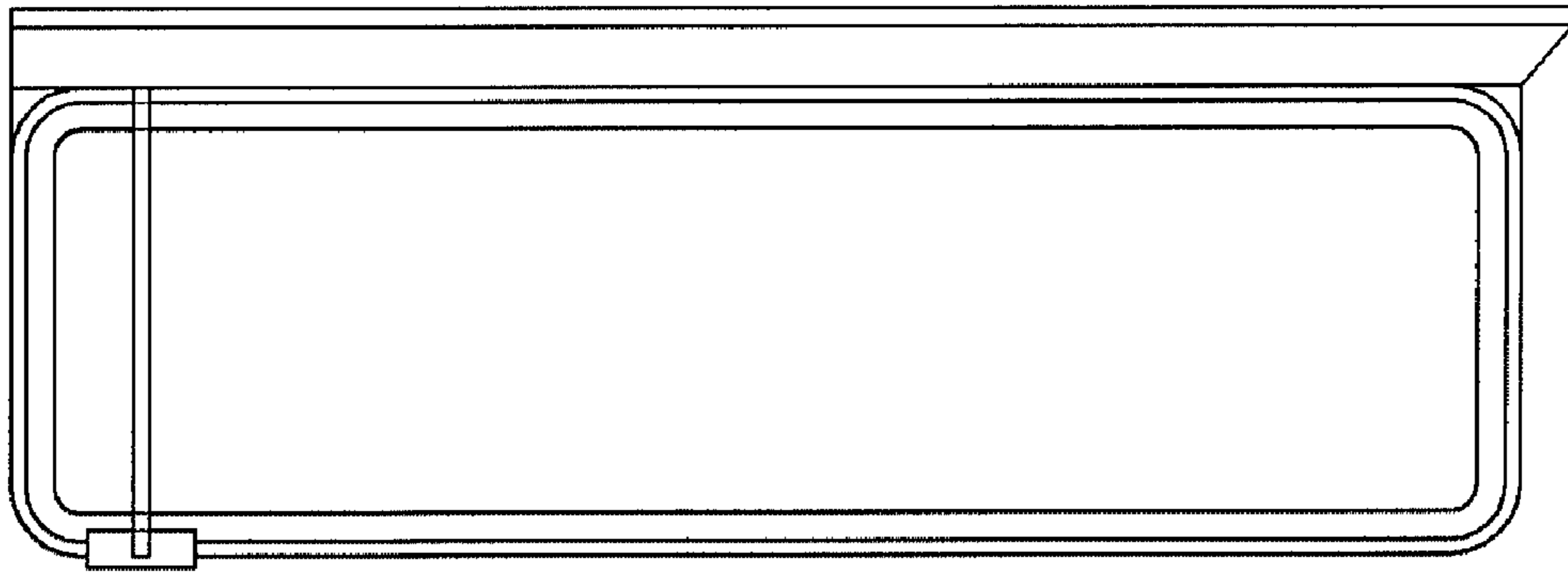


FIG. 7

