



US00D649983S

(12) **United States Design Patent**
Hancock et al.

(10) **Patent No.:** **US D649,983 S**
(45) **Date of Patent:** **** Dec. 6, 2011**

(54) **GEAR MOTOR ASSEMBLY**

(75) Inventors: **Eric Hancock**, Elk Grove Village, IL (US); **Gary Clayton**, Elk Grove Village, IL (US)

(73) Assignee: **Merkle-Korff Industries, Inc.**, Elk Grove Village, IL (US)

(**) Term: **14 Years**

(21) Appl. No.: **29/327,898**

(22) Filed: **Nov. 14, 2008**

(51) **LOC (9) Cl.** **15-07**

(52) **U.S. Cl.** **D15/89**

(58) **Field of Classification Search** D15/80, D15/89, 5, 7; D13/112; 221/75, 240, 345, 221/368; 62/340, 344, 389

See application file for complete search history.

(56) **References Cited**

U.S. PATENT DOCUMENTS

D26,490	S	*	1/1897	Shipley	D15/80
4,942,979	A	*	7/1990	Linstromberg et al.	221/75
5,104,007	A	*	4/1992	Utter	222/240
5,114,053	A	*	5/1992	Beirle	222/345
D327,273	S	*	6/1992	Cadotte et al.	D15/7
5,299,716	A	*	4/1994	Hawkins et al.	D15/80
5,444,317	A	*	8/1995	Anderson et al.		
5,446,326	A	*	8/1995	Scheider		
D405,096	S	*	2/1999	Dudeck	D15/7
D410,659	S	*	6/1999	Lannoch	D15/148
6,573,670	B2		6/2003	Machalek et al.		

D490,373	S	*	5/2004	Tsergas	D13/112
7,714,525	B2		5/2010	Hittie et al.		
2011/0030411	A1	*	2/2011	Kim	62/344

* cited by examiner

Primary Examiner — Mitchell Siegel

(74) *Attorney, Agent, or Firm* — SNR Denton US LLP; Brian R. McGinley

(57) **CLAIM**

The ornamental design for a gear motor assembly, as shown and described.

DESCRIPTION

FIG. 1 is a front elevation view of a gear motor assembly showing the new design;

FIG. 2 is a rear elevation view of the gear motor assembly shown in FIG. 1;

FIG. 3 is a top plan view of the gear motor assembly shown in FIG. 1;

FIG. 4 is a bottom view of the gear motor assembly shown in FIG. 1;

FIG. 5 is a right side view of the gear motor assembly shown in FIG. 1; and,

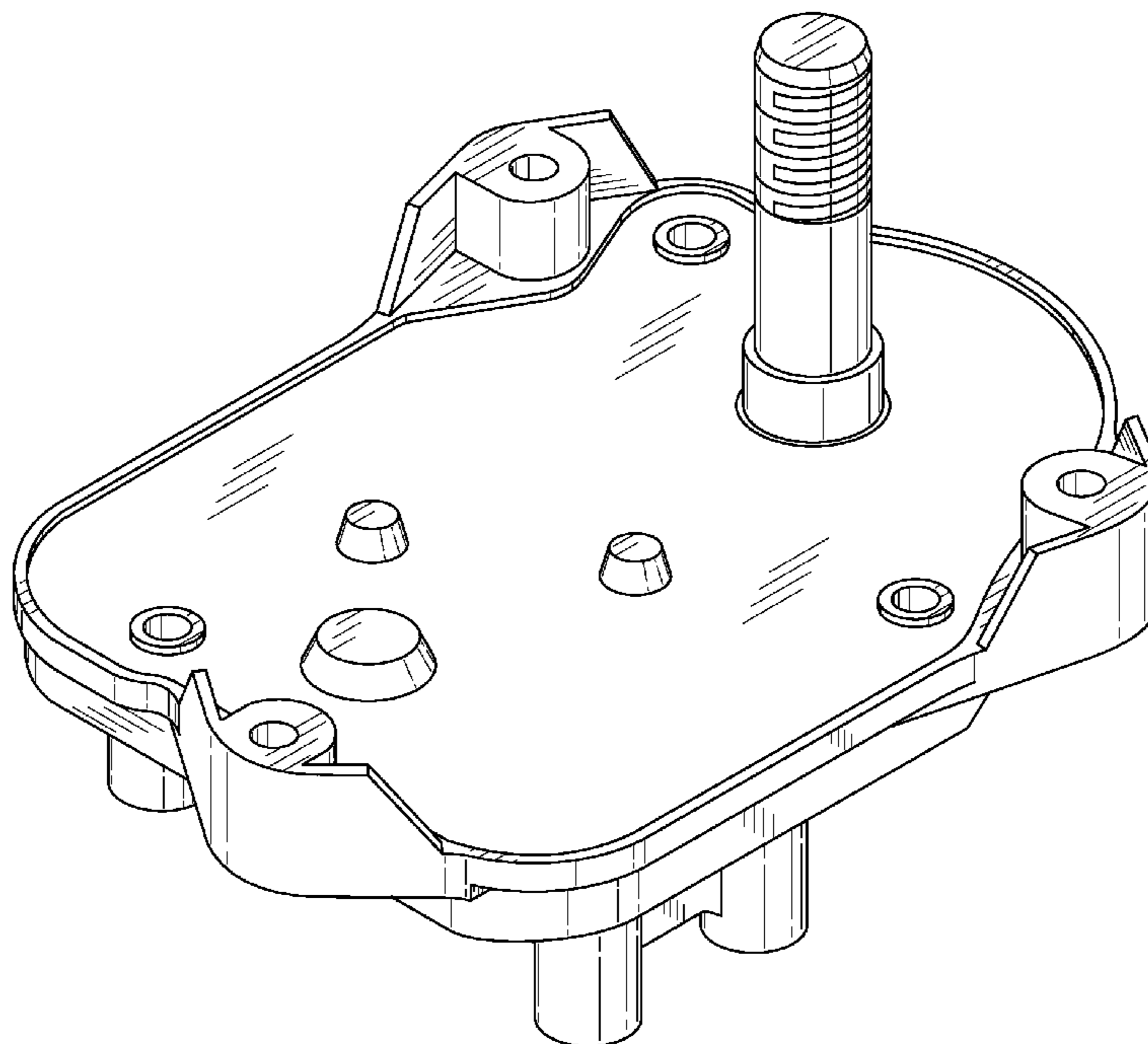
FIG. 6 is a left side view of the gear motor assembly shown in FIG. 1.

FIG. 7 is a front perspective view of the gear motor assembly illustrated in FIG. 1; and,

FIG. 8 is a rear perspective view of the gear motor assembly illustrated in FIG. 1.

Applicant specifically disclaims any interior and exterior surface ornamentation, threaded engagement means, knobs, apertures, and any other features apart from the primary outer surface of the assembled design of the gear motor assembly, all of which form no part of the claimed design.

1 Claim, 5 Drawing Sheets



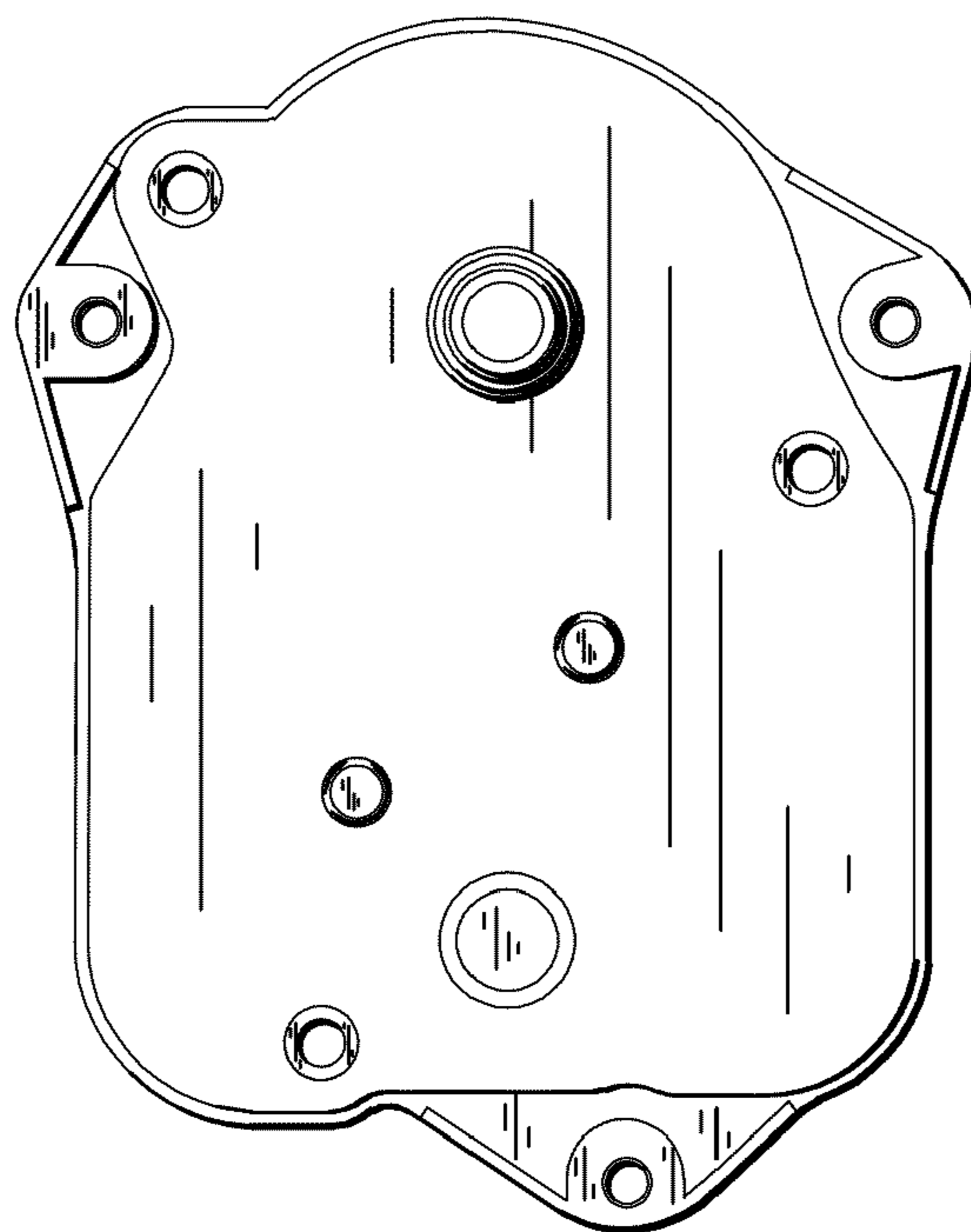


Fig. 1.

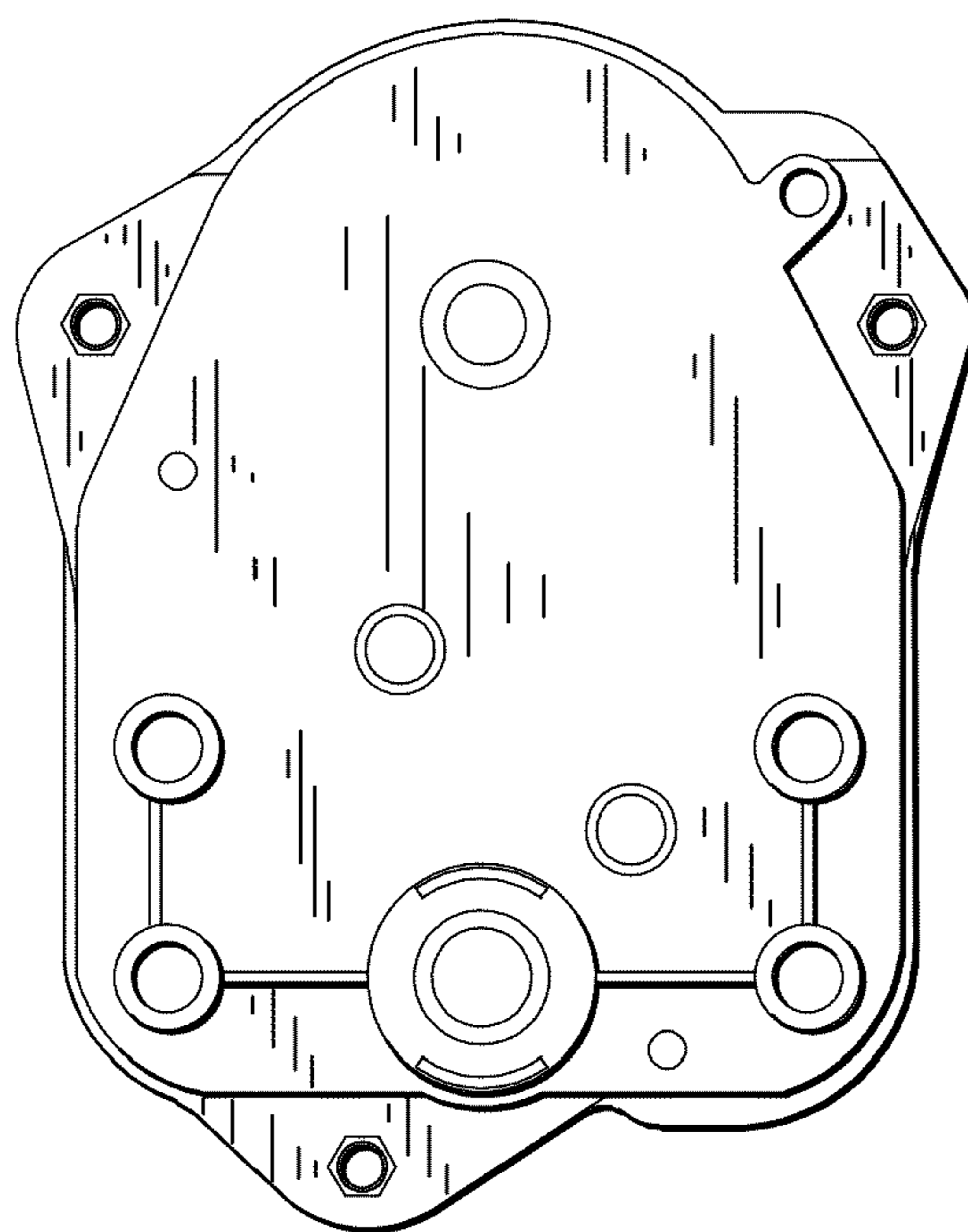


Fig. 2.

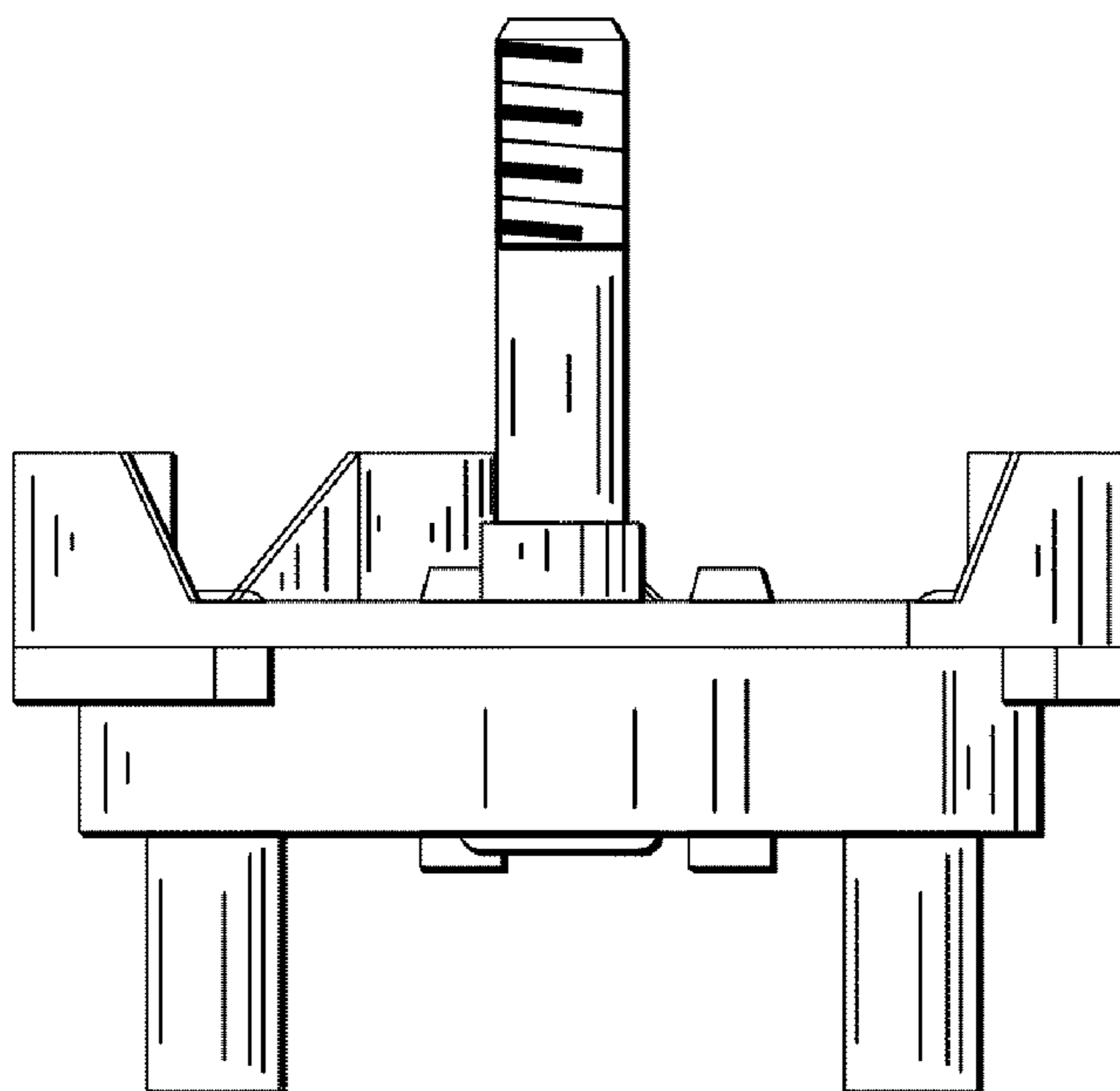


Fig. 3.

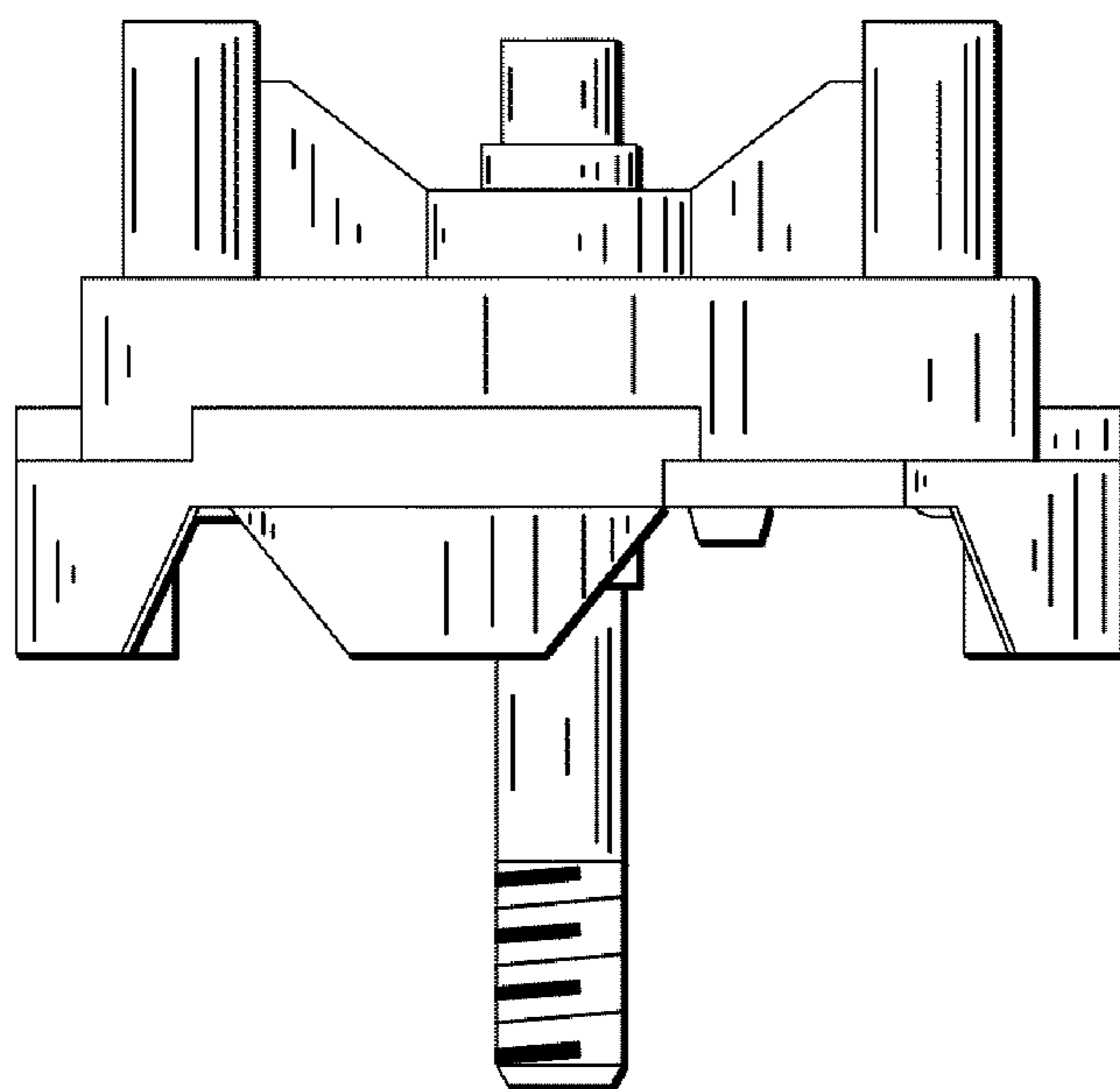


Fig. 4.

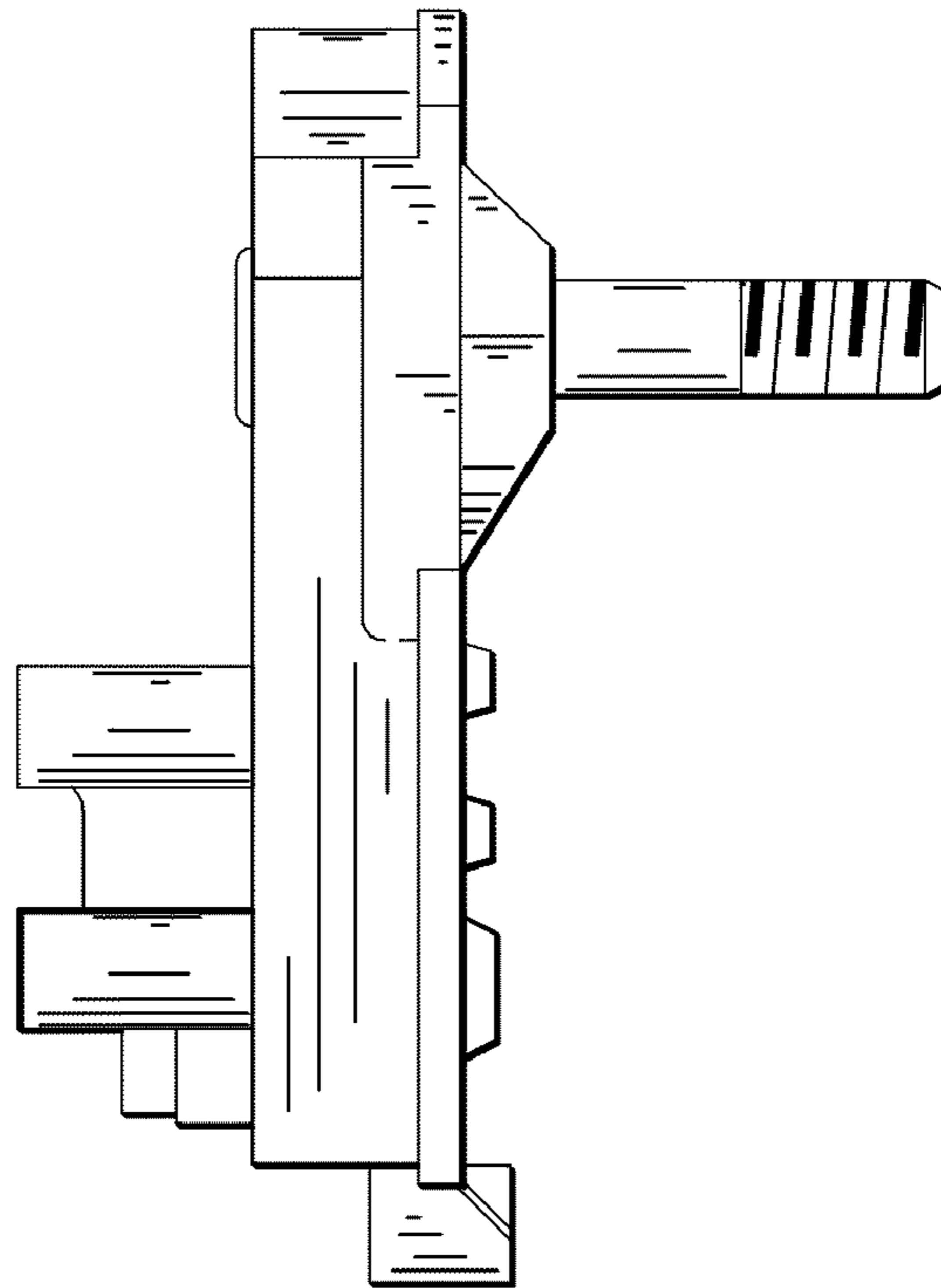


Fig. 5.

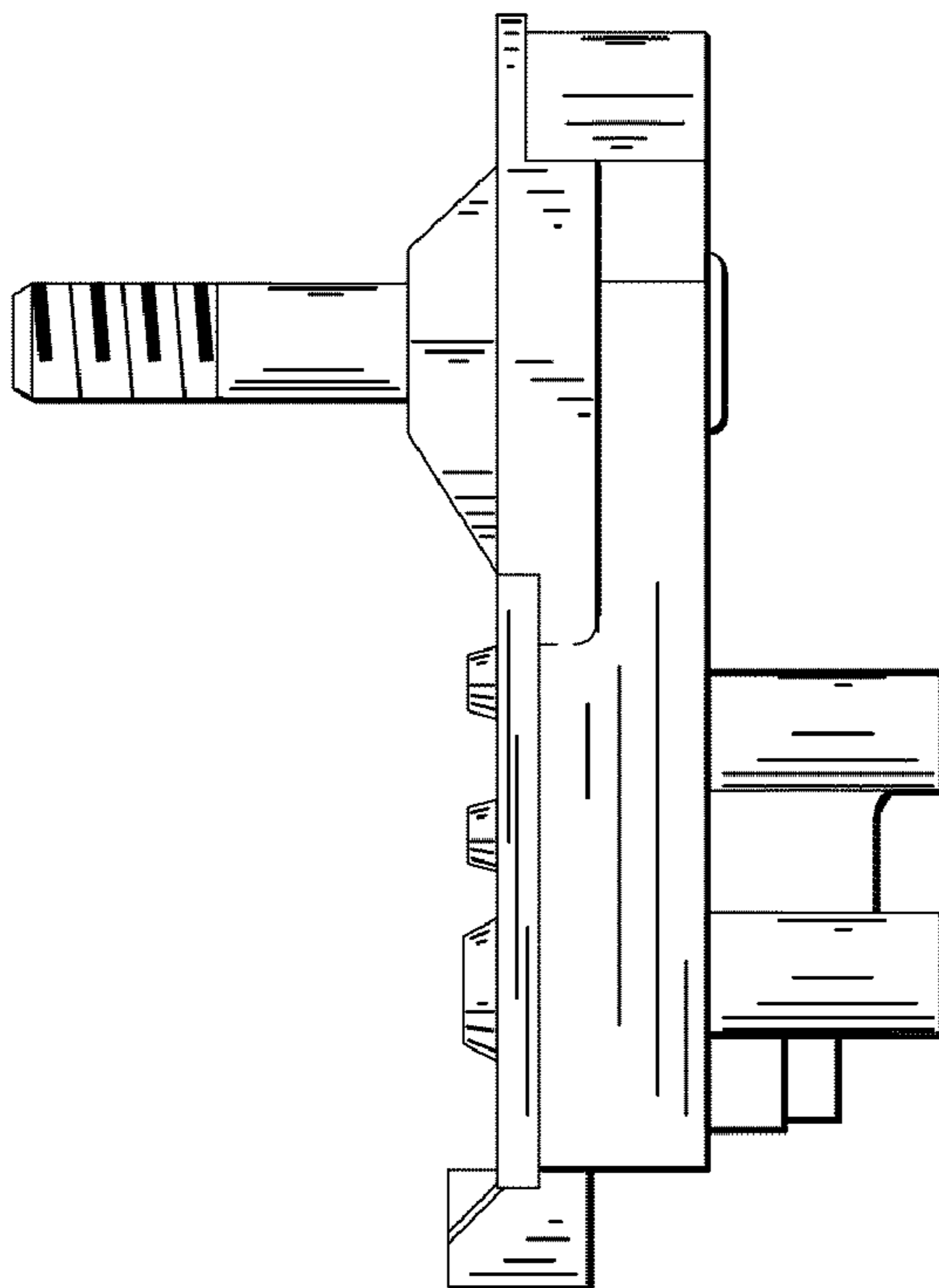


Fig. 6.

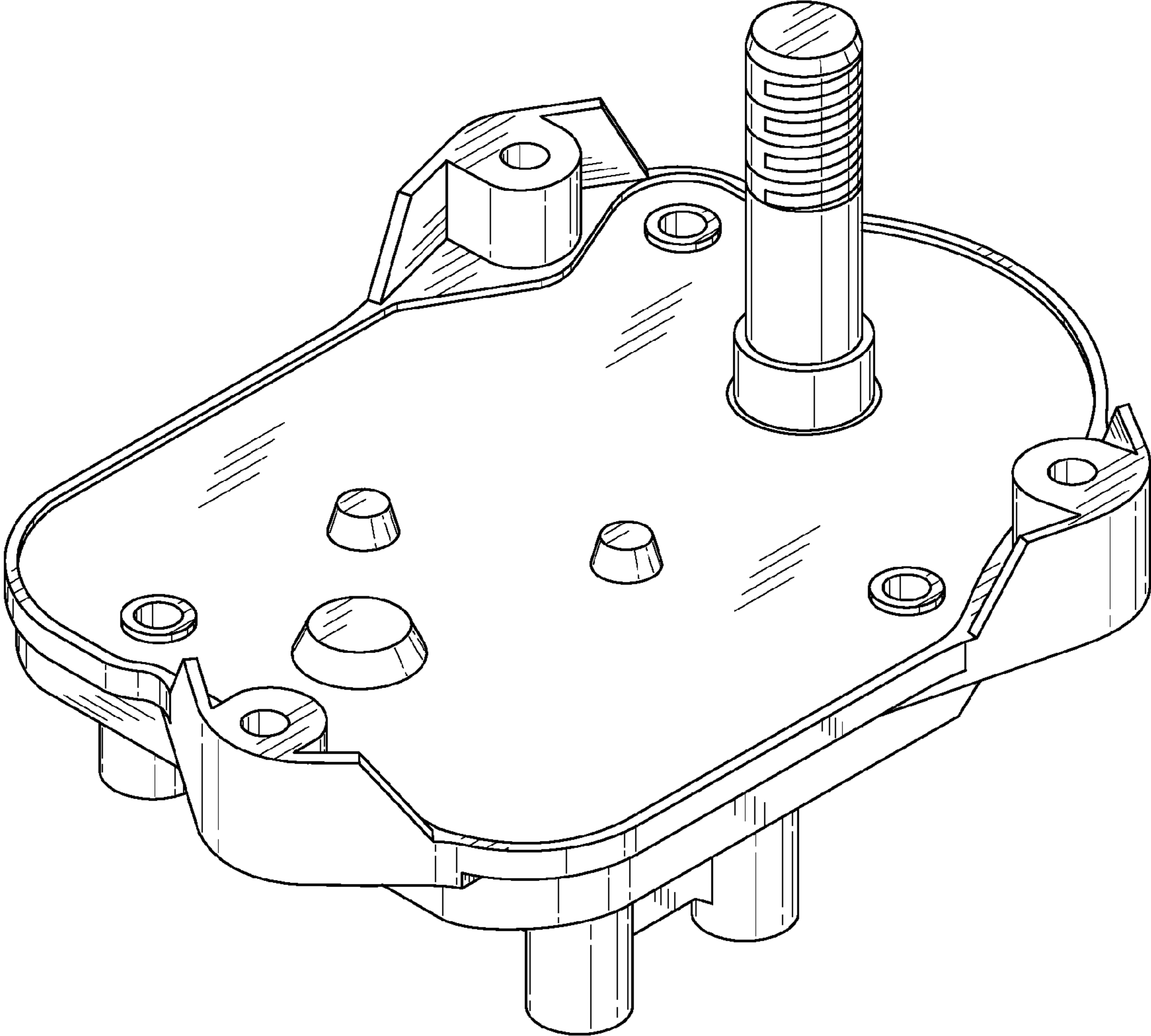


Fig. 7

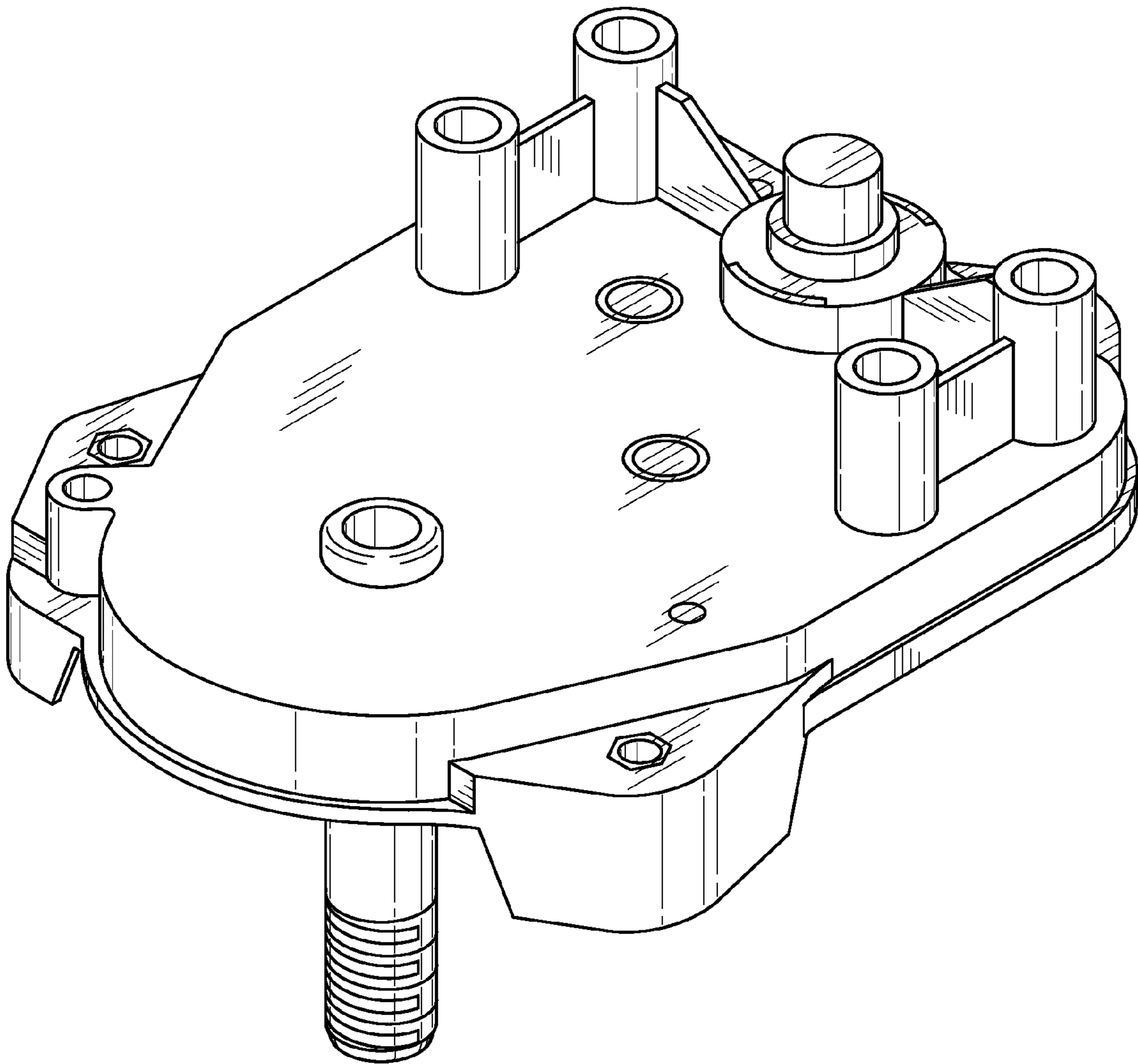


Fig. 8