



US00D649982S

(12) **United States Design Patent**  
**Vogt**

(10) **Patent No.:** **US D649,982 S**  
(45) **Date of Patent:** **\*\* Dec. 6, 2011**

(54) **ROCK BEATER**

(76) Inventor: **Carl Vogt**, Chokio, MN (US)

(\*\*) Term: **14 Years**

(21) Appl. No.: **29/358,075**

(22) Filed: **Mar. 22, 2010**

5,556,337	A	9/1996	Tophinke et al.	
5,676,598	A	10/1997	Ackley, II et al.	
5,733,192	A	3/1998	Jones	
5,882,257	A *	3/1999	Cooksey et al.	460/106
6,298,641	B1	10/2001	Digman et al.	
7,470,180	B2 *	12/2008	Honey	460/105
2002/0103015	A1 *	8/2002	Gerber et al.	460/112
2003/0073470	A1 *	4/2003	Voss et al.	460/73
2005/0176483	A1 *	8/2005	Schenk	460/106
2008/0081681	A1 *	4/2008	Vogt	460/105
2008/0161077	A1 *	7/2008	Honey	460/106

**Related U.S. Application Data**

(63) Continuation of application No. 11/861,847, filed on Sep. 26, 2007, now abandoned.

(51) **LOC (9) Cl.** ..... **15-03**

(52) **U.S. Cl.** ..... **D15/28**

(58) **Field of Classification Search** ..... D15/10, D15/28, 29; 460/73, 105, 106, 113, 142  
See application file for complete search history.

**OTHER PUBLICATIONS**

Application and File History for U.S. Appl. No. 11/861,847, filed Sep. 26, 2007. Inventors: Carl Vogt.

\* cited by examiner

*Primary Examiner* — Mark Goodwin

(74) *Attorney, Agent, or Firm* — Patterson Thuent Christensen Pedersen, P.A.

(56) **References Cited**

**U.S. PATENT DOCUMENTS**

682,193	A *	9/1901	Heggen	460/113
1,629,831	A	5/1927	Maglathlin	
1,802,998	A *	4/1931	Baldwin et al.	460/113
2,292,679	A *	8/1942	Watson	460/113
2,768,627	A	10/1956	Wolgast	
3,675,660	A	7/1972	Girodat	
3,779,251	A	12/1973	Rowland-Hill et al.	
4,170,235	A *	10/1979	Ashton et al.	460/16
4,335,562	A	6/1982	Meyers et al.	
4,440,179	A *	4/1984	Bassett et al.	460/105
4,653,553	A	3/1987	Cox et al.	
4,657,029	A	4/1987	Helm et al.	
5,036,653	A	8/1991	Klinner	
5,134,744	A	8/1992	Ji	
5,186,683	A	2/1993	Farley et al.	
5,249,328	A	10/1993	Shin	
5,253,467	A	10/1993	Sims, Jr.	
5,481,856	A	1/1996	Wickoren et al.	

(57) **CLAIM**

I claim the ornamental design for a rock beater, as shown and described.

**DESCRIPTION**

FIG. 1 is a perspective view of a rock beater showing my new design.

FIG. 2 is a frontal elevational view thereof.

FIG. 3 is a rear elevational view thereof.

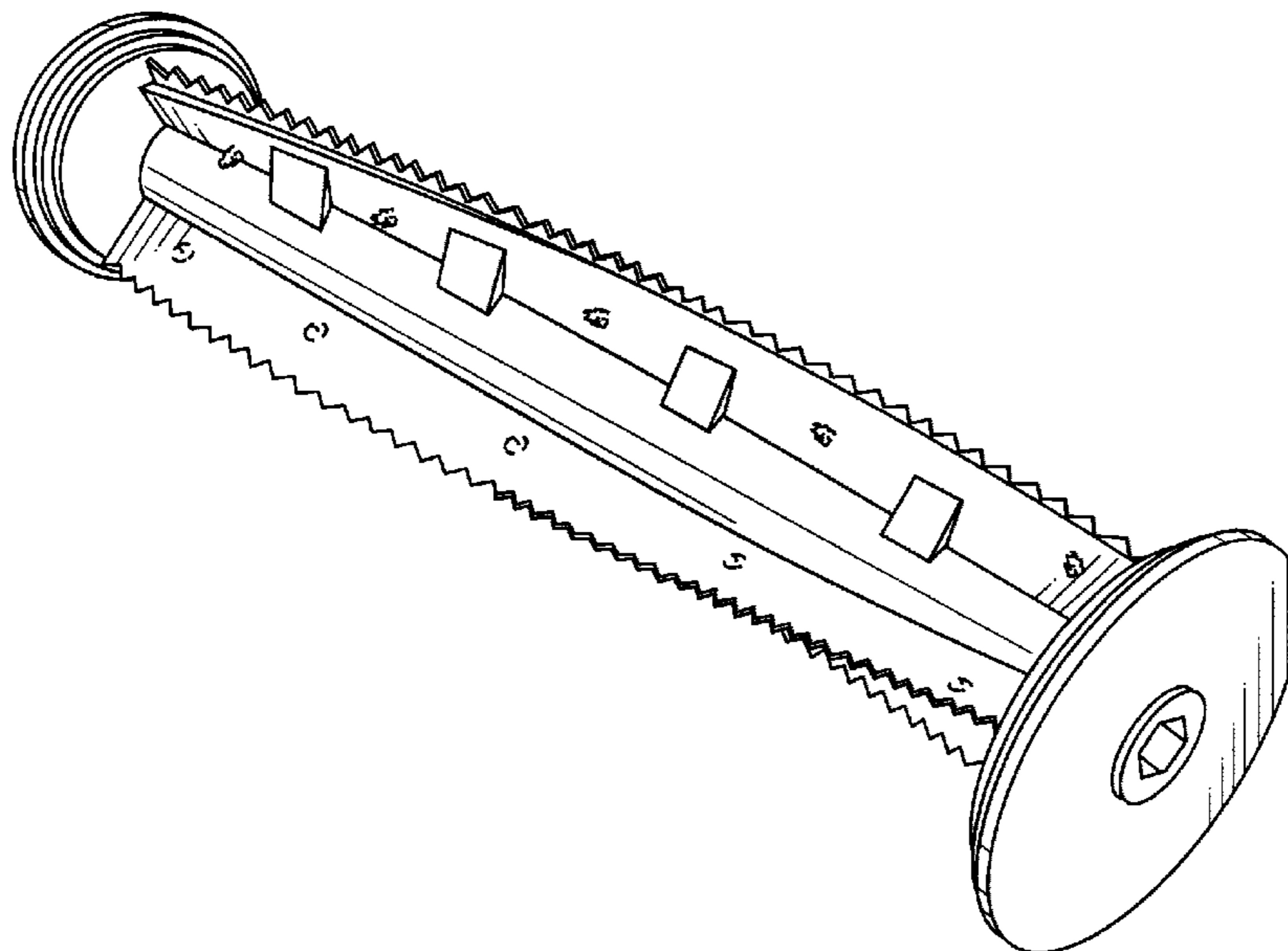
FIG. 4 is a top plan view thereof.

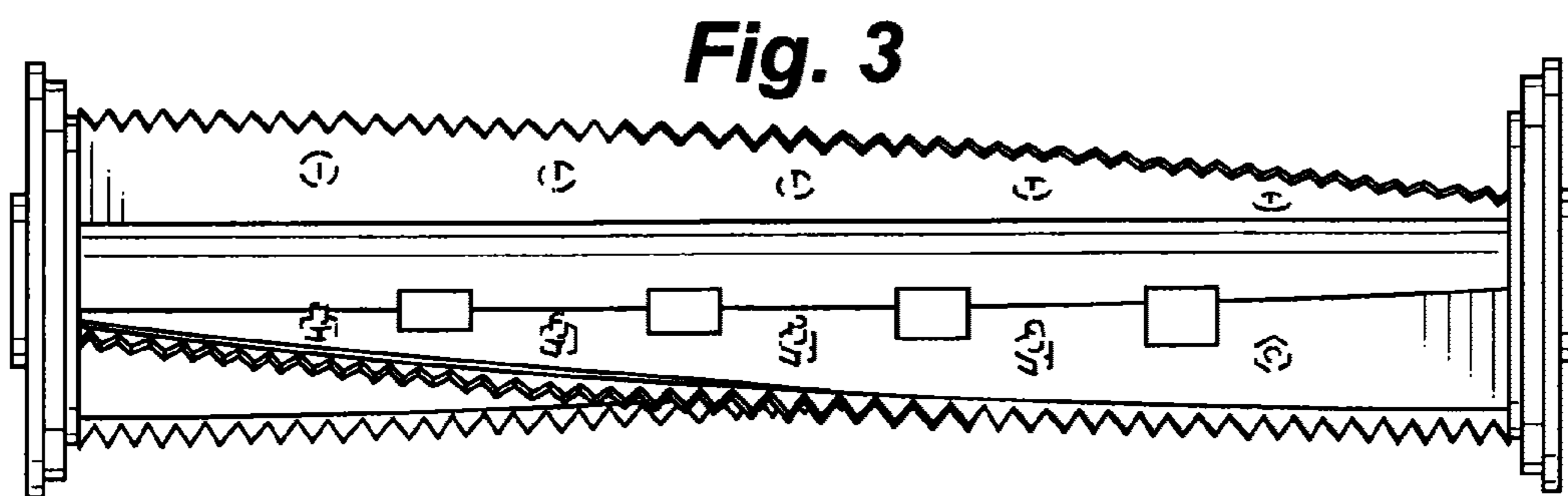
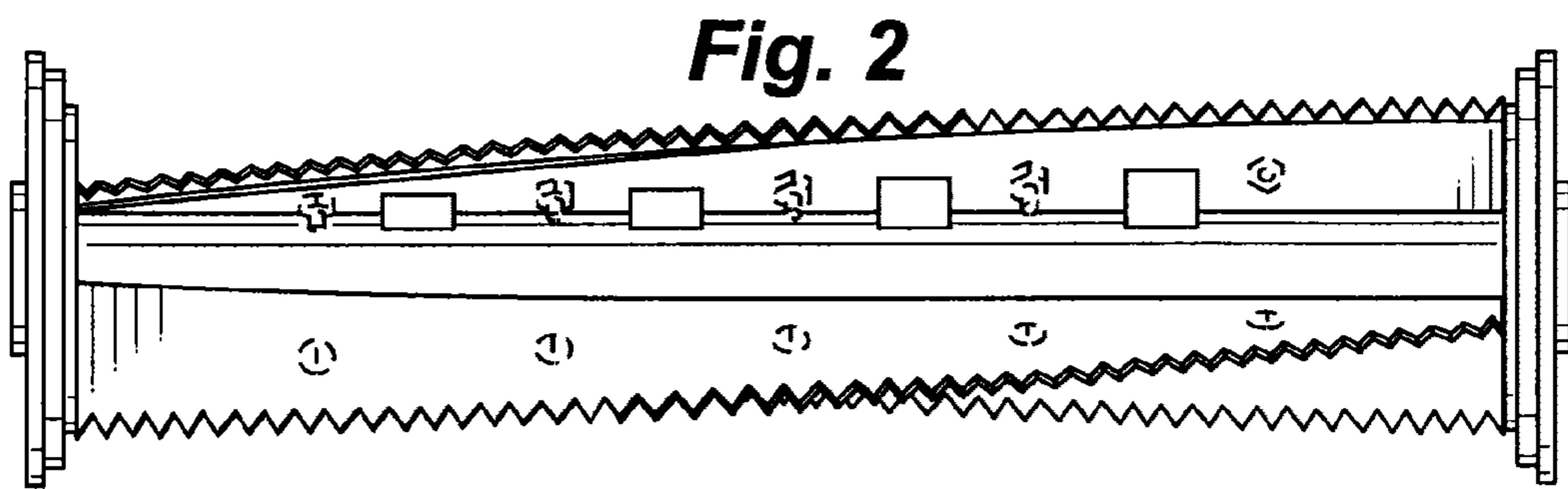
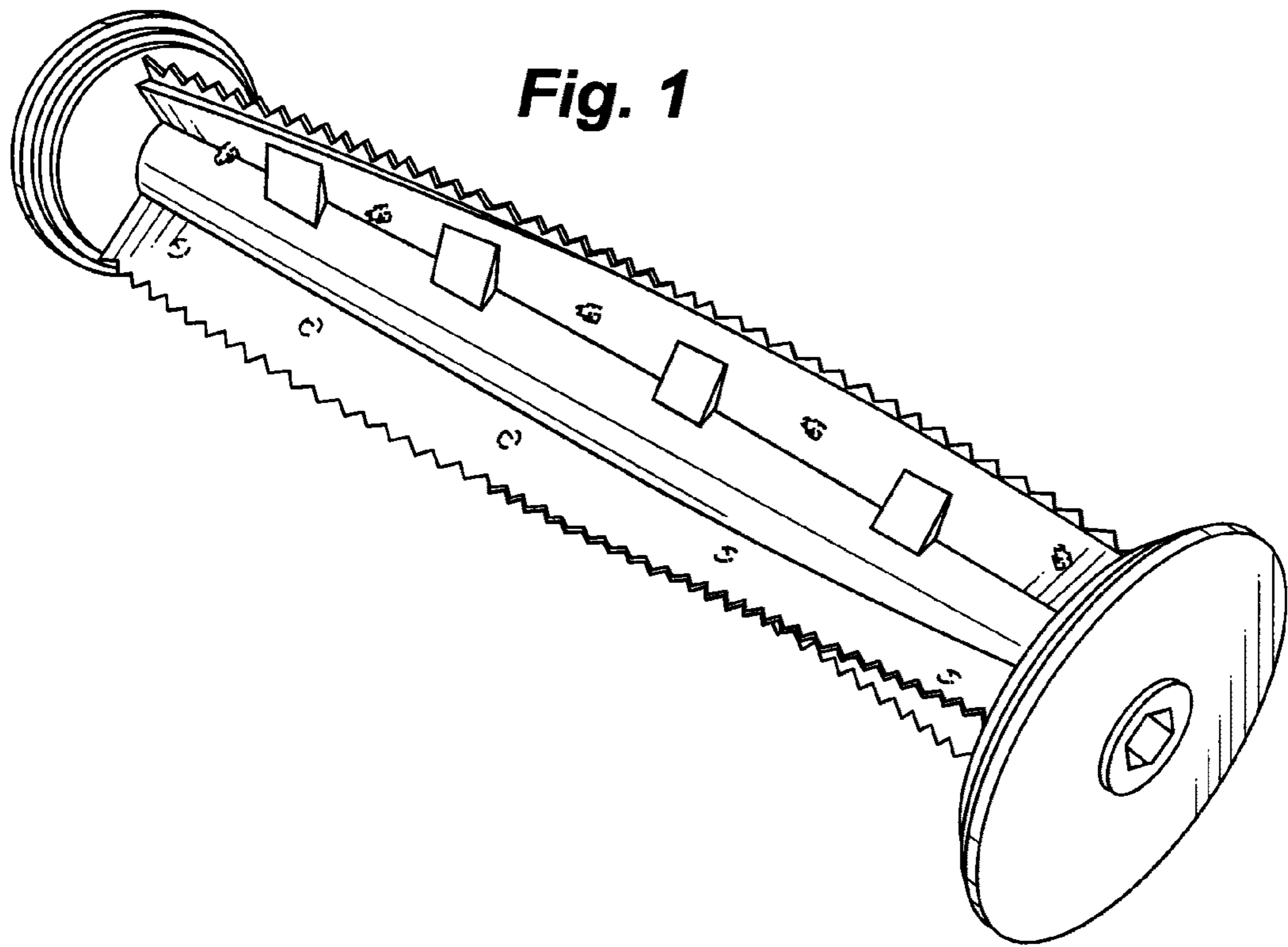
FIG. 5 is a bottom plan view thereof; and,

FIG. 6 is an end view thereof, the opposite end being identical thereof.

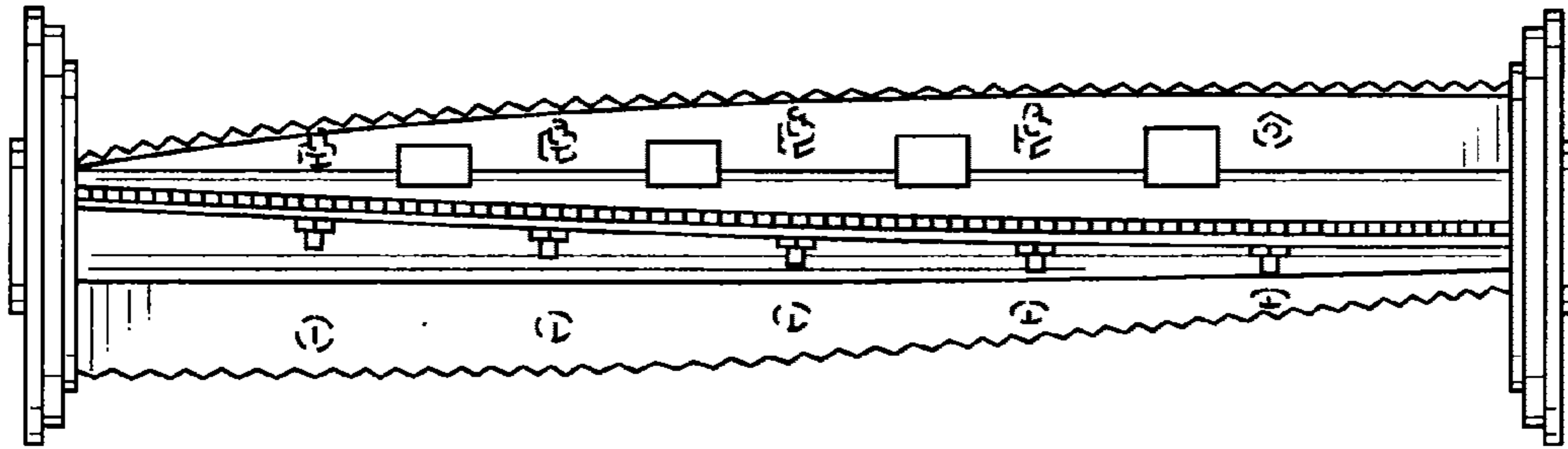
The broken line showing of the bolts is included for the purpose of illustrating portions of the rock beater and forms no part of the claimed design.

**1 Claim, 2 Drawing Sheets**

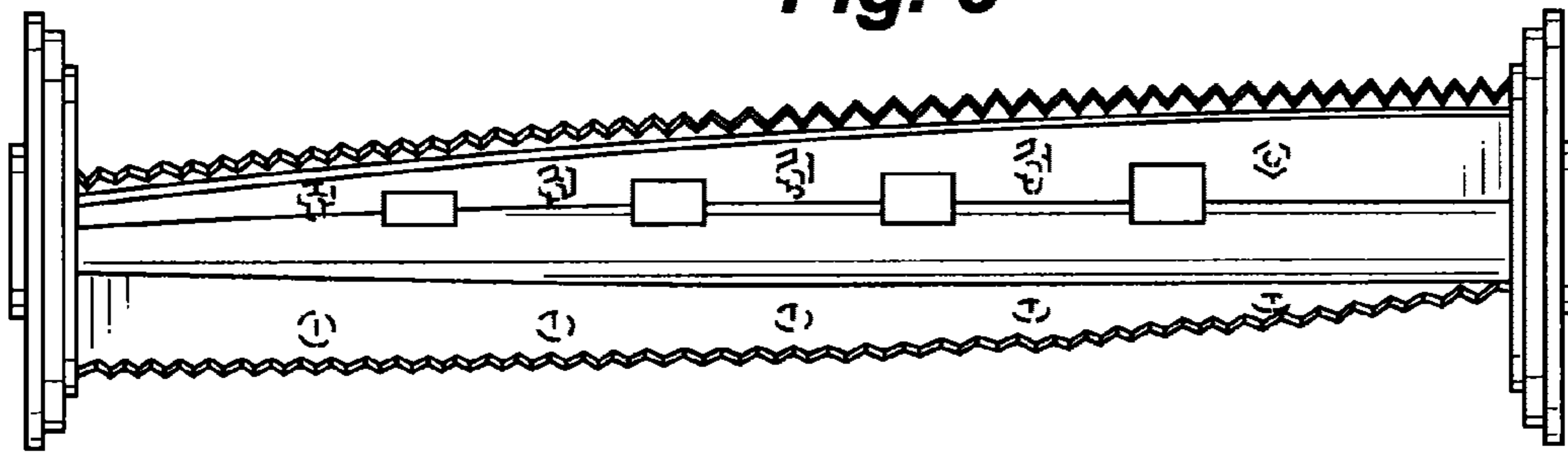




**Fig. 4**



**Fig. 5**



**Fig. 6**

