

US00D649980S

(12) **United States Design Patent**
Conwell

(10) **Patent No.:** **US D649,980 S**

(45) **Date of Patent:** **** *Dec. 6, 2011**

(54) **HOSE CONNECTION DEVICE UNIT ASSEMBLY**

(76) Inventor: **James R. Conwell**, Princeton, MO (US)

(*) Notice: This patent is subject to a terminal disclaimer.

(**) Term: **14 Years**

(21) Appl. No.: **29/356,228**

(22) Filed: **Feb. 22, 2010**

(51) **LOC (9) Cl.** **15-03**

(52) **U.S. Cl.** **D15/17**

(58) **Field of Classification Search** D15/10,
D15/14, 15, 16, 17, 18; 239/282, 514, 222.11,
239/DIG. 6; 56/12.1, 13.1, 13.4, 16.7, 17.5,
56/202, 294, 320.1, 320.2, 16.8, DIG. 5;
285/140.1

See application file for complete search history.

(56) **References Cited**

U.S. PATENT DOCUMENTS

2,936,563	A *	5/1960	Blume	56/12.1
2,984,061	A *	5/1961	Stabnau	56/320.1
2,992,524	A *	7/1961	Stabnau	56/320.1
3,040,990	A *	6/1962	Gotti	239/273
3,535,862	A *	10/1970	Wittwer	56/17.5
RE29,139	E *	2/1977	Messner	56/13.1
5,005,344	A *	4/1991	McCracken	56/14.7
5,027,590	A *	7/1991	Stark	56/12.1
D350,357	S *	9/1994	Maine	D15/17
5,444,967	A *	8/1995	Meuth	56/12.1
5,456,499	A *	10/1995	Sharpe	285/39

6,260,340	B1 *	7/2001	Sanner	56/16.8
6,581,363	B1 *	6/2003	Hall	56/12.1
6,910,320	B1 *	6/2005	Thorman et al.	56/16.8
6,912,834	B2 *	7/2005	Kasanic et al.	56/16.8
2002/0170281	A1 *	11/2002	Brown	56/12.1

* cited by examiner

Primary Examiner — Mark Goodwin

(74) *Attorney, Agent, or Firm* — Dale J. Ream

(57) **CLAIM**

The ornamental design for a hose connection device unit assembly, as shown and described.

DESCRIPTION

FIG. 1 is a perspective view of a hose connection device unit assembly showing my new design attached to a lawn mower deck;

FIG. 2 is an isolated view on an enlarged scale taken from FIG. 1;

FIG. 3 is an exploded view taken from FIG. 2;

FIG. 4 is a front view thereof;

FIG. 5 is a back view thereof;

FIG. 6 is a left side view thereof;

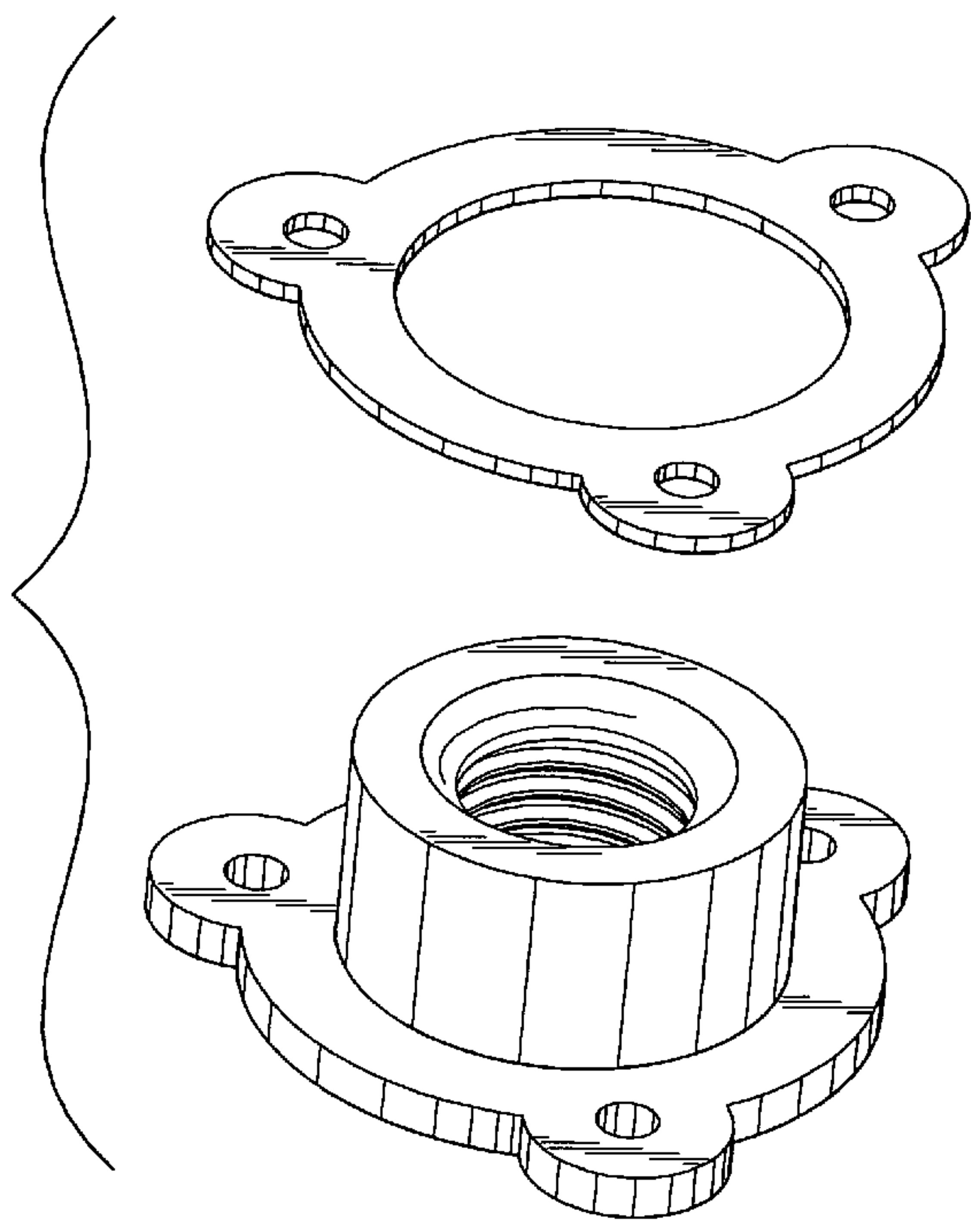
FIG. 7 is a right side view thereof;

FIG. 8 is a top view thereof; and,

FIG. 9 is a bottom view thereof.

In the drawings, the broken lines showing a lawn mower illustrate environment and form no part of the claimed design.

1 Claim, 6 Drawing Sheets



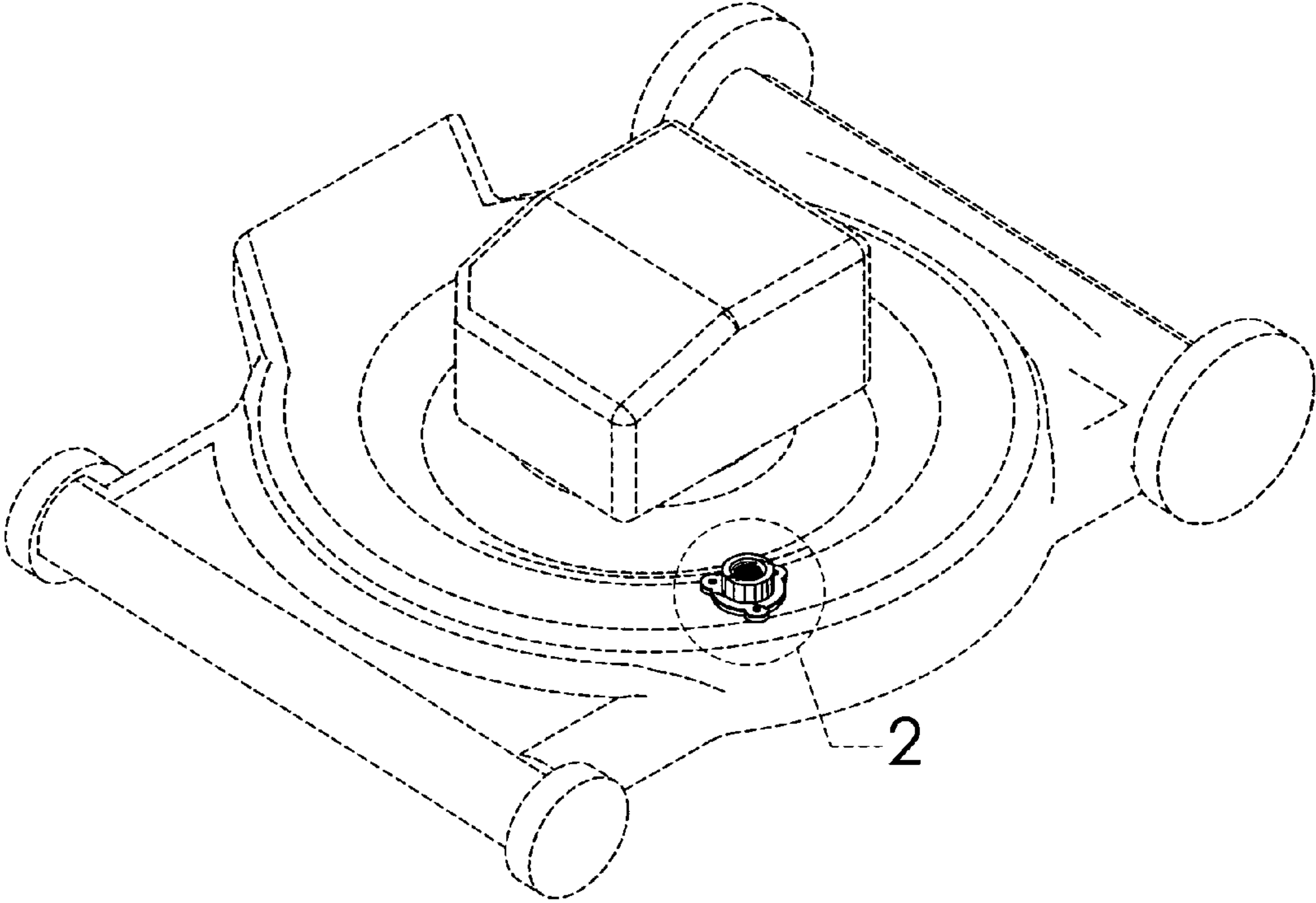


Fig. 1

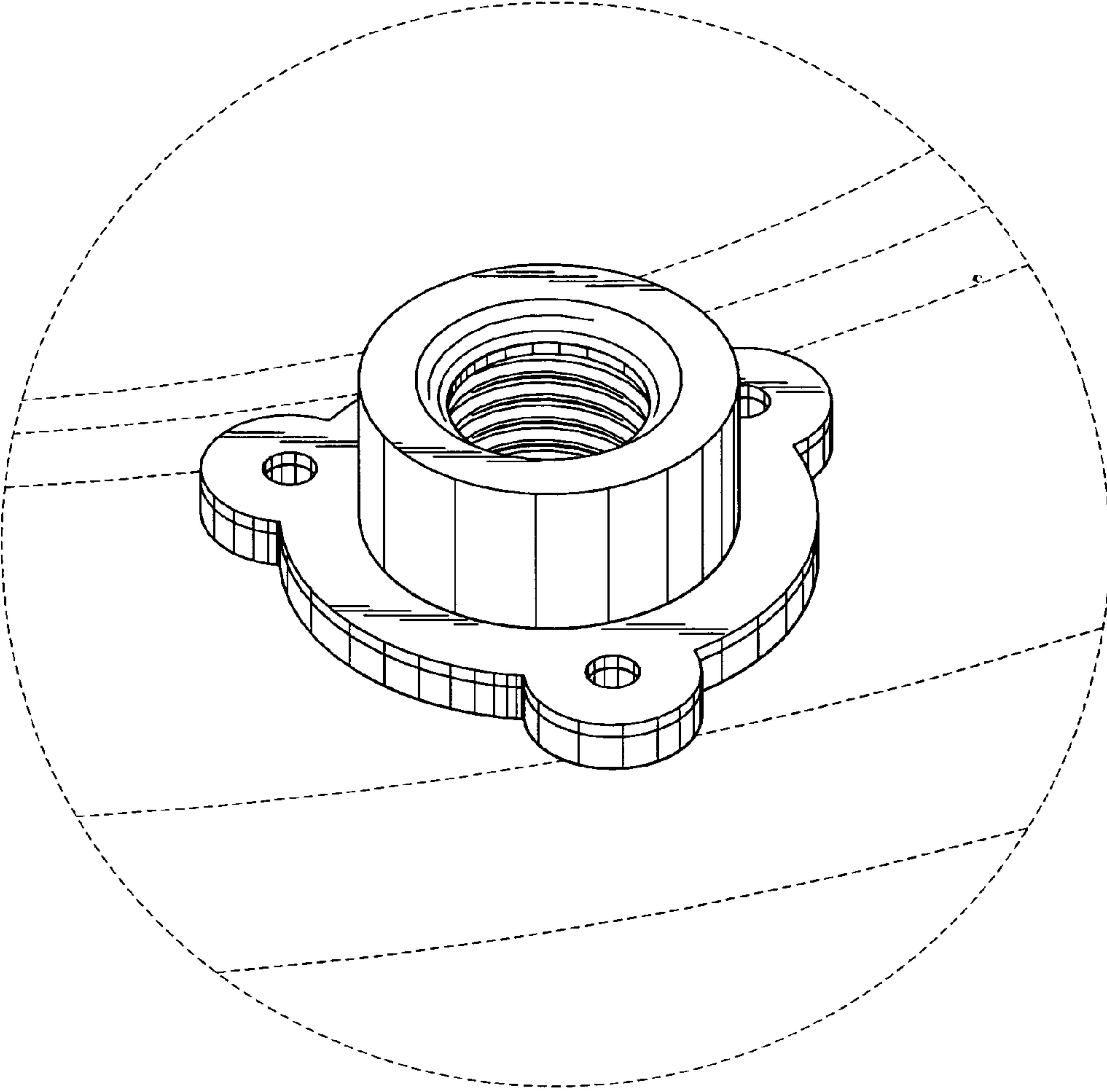


Fig. 2

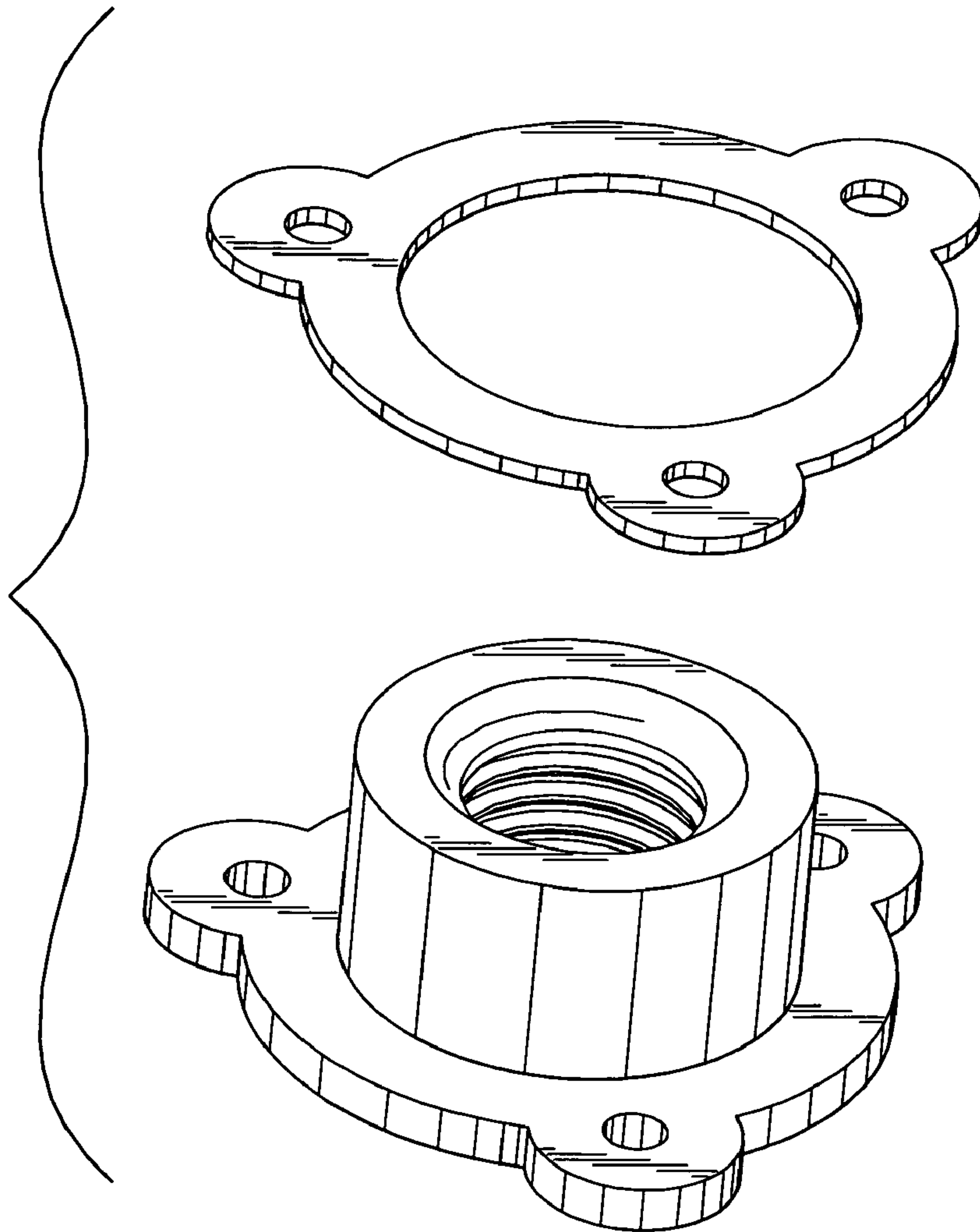


Fig. 3

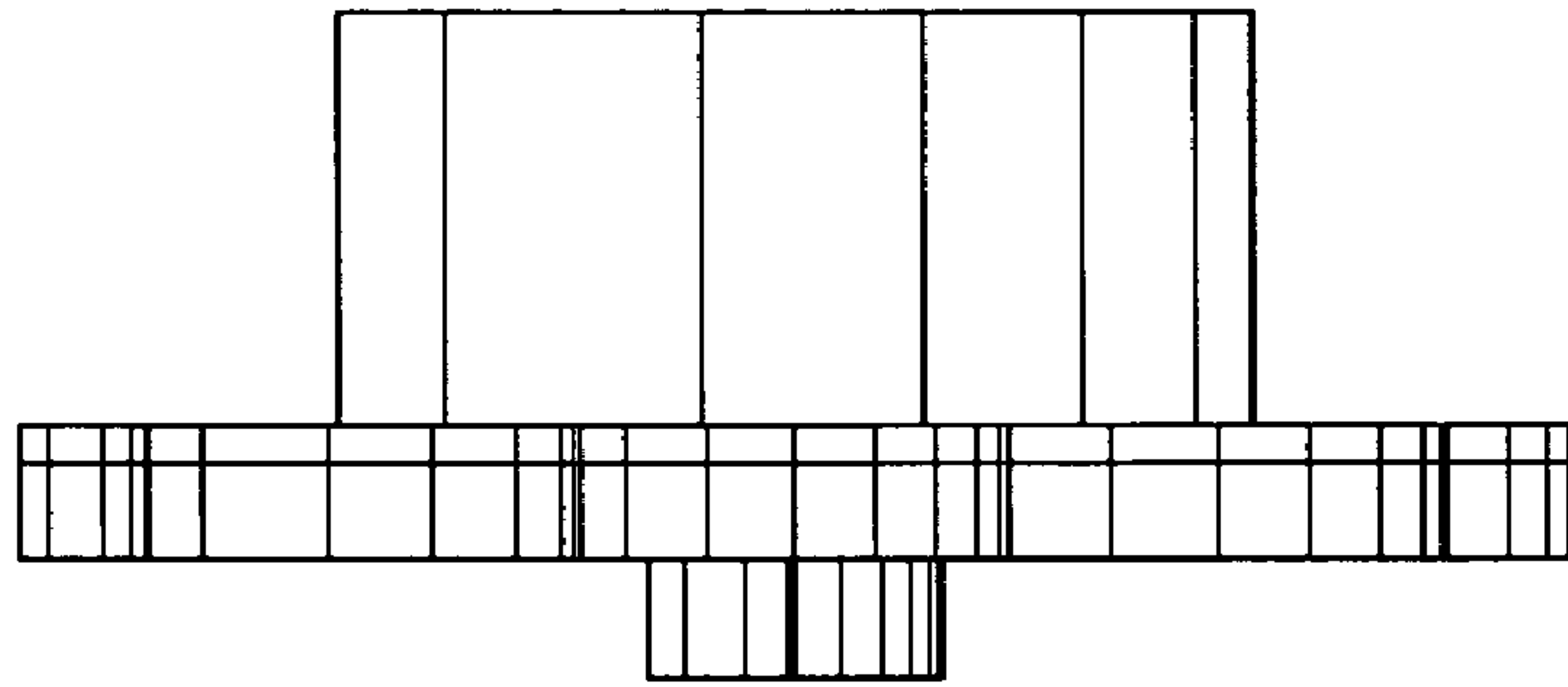


Fig. 4

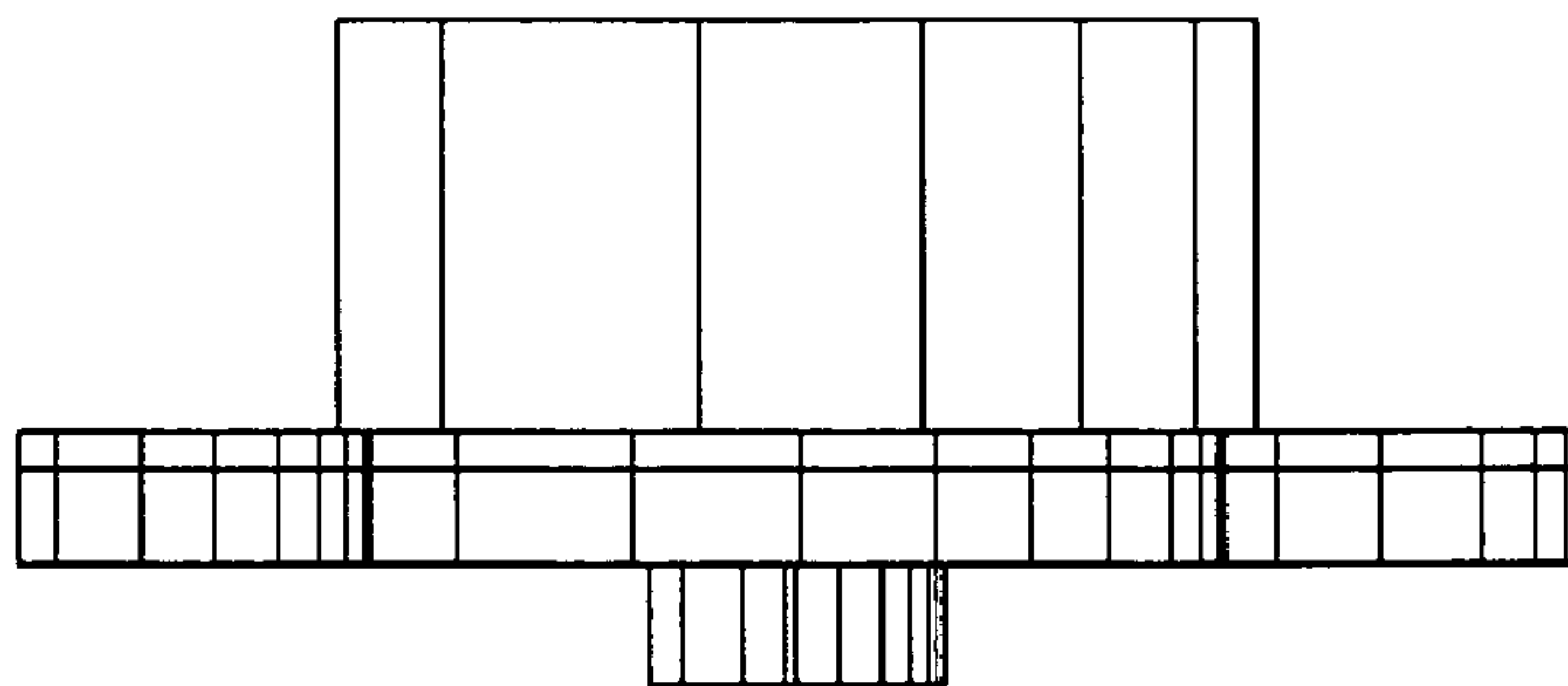


Fig. 5

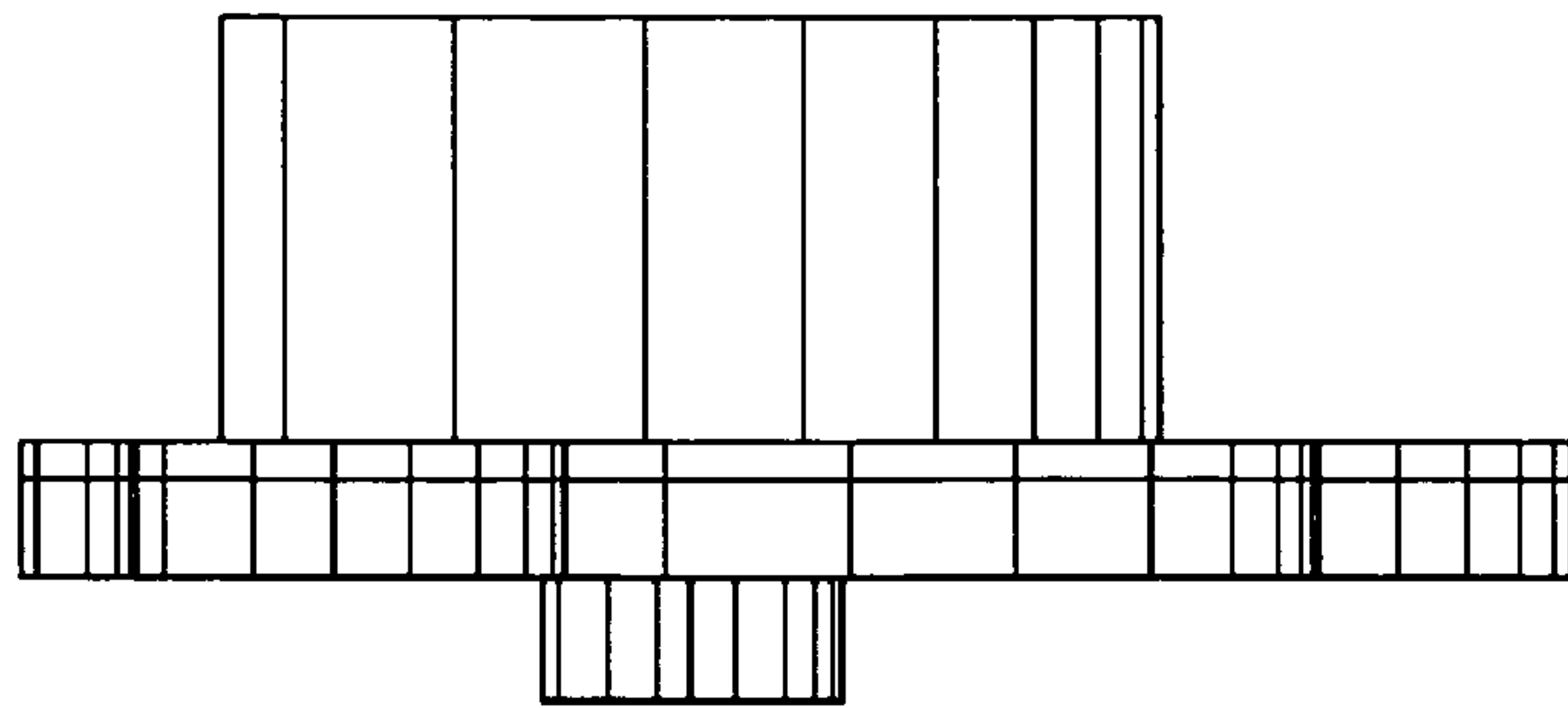


Fig. 6

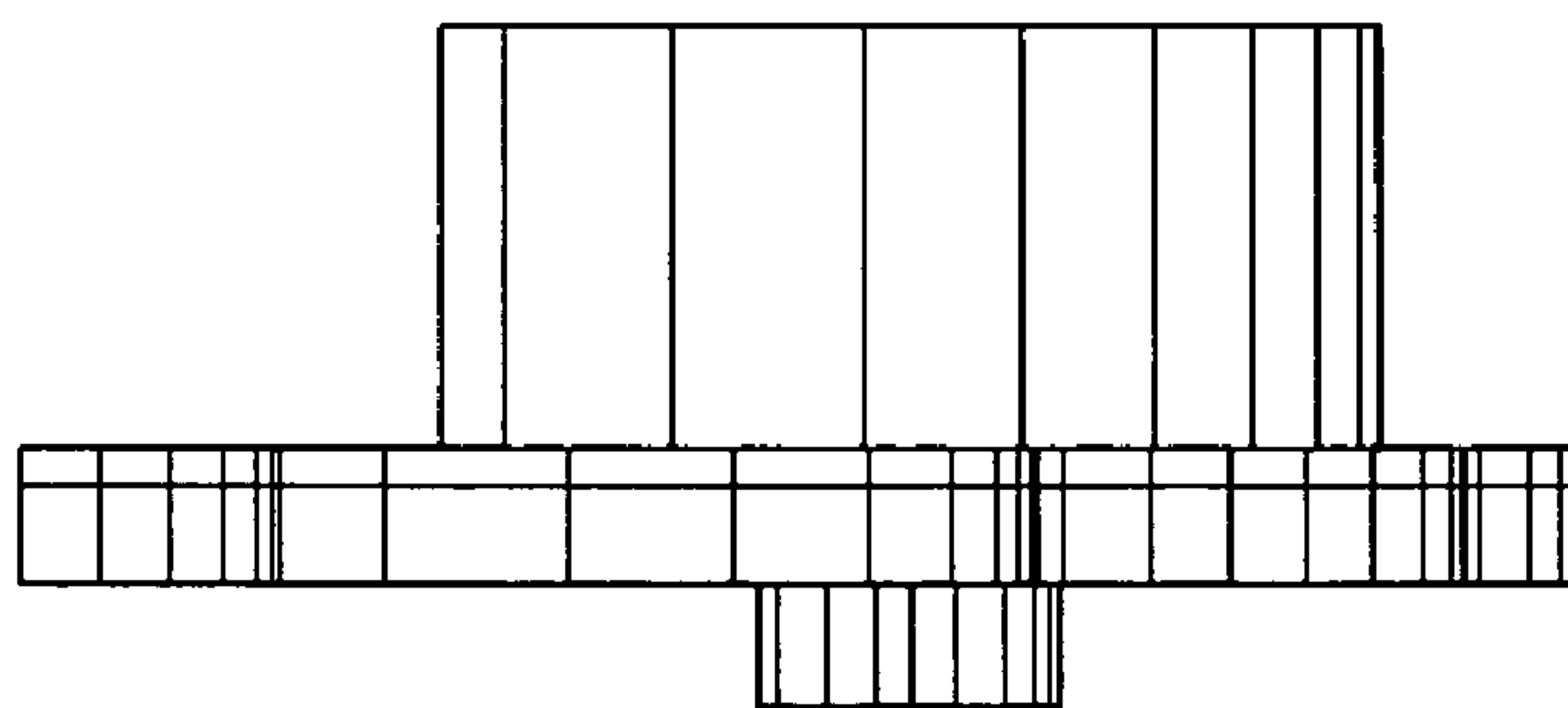


Fig. 7

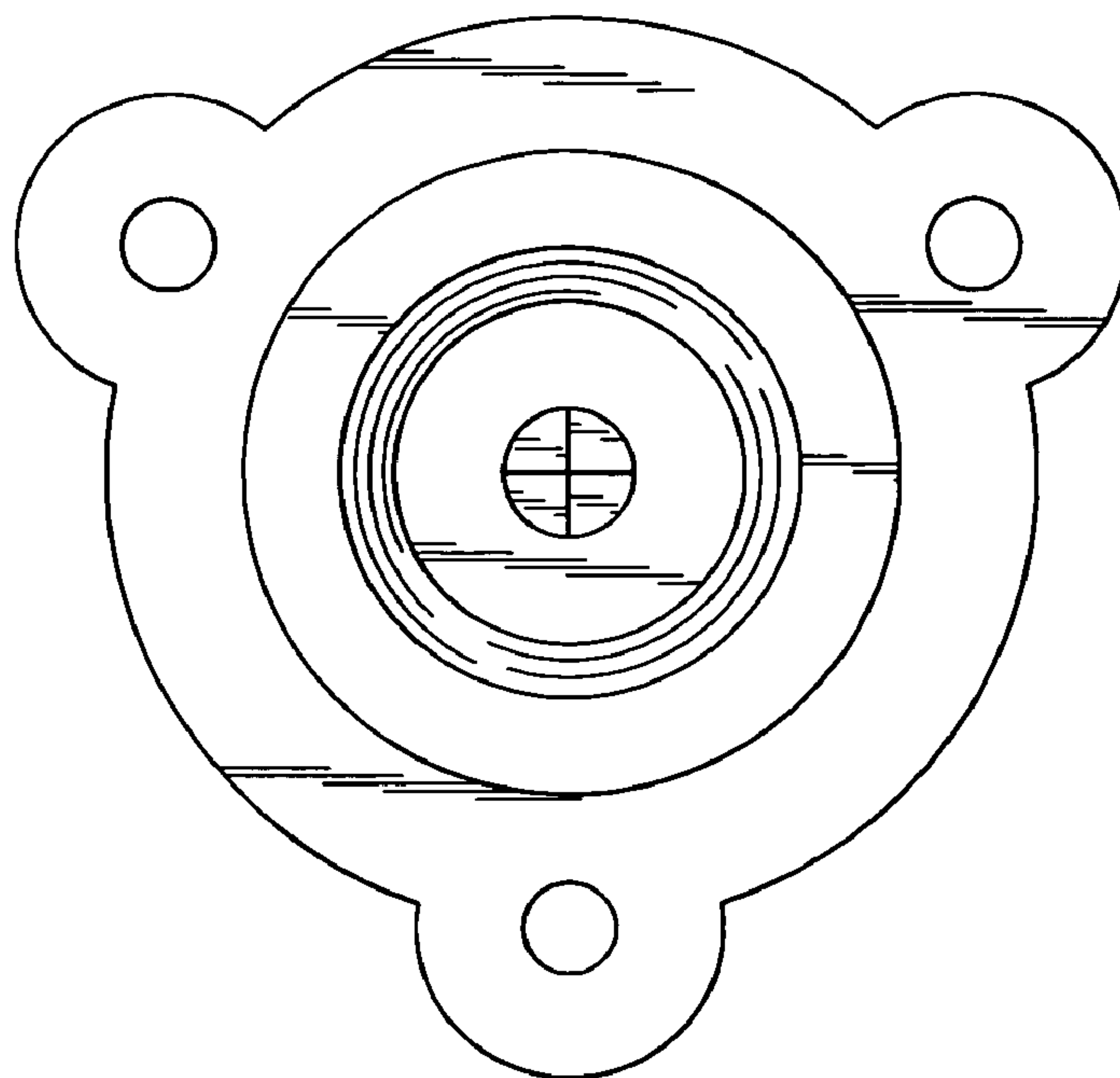


Fig. 8

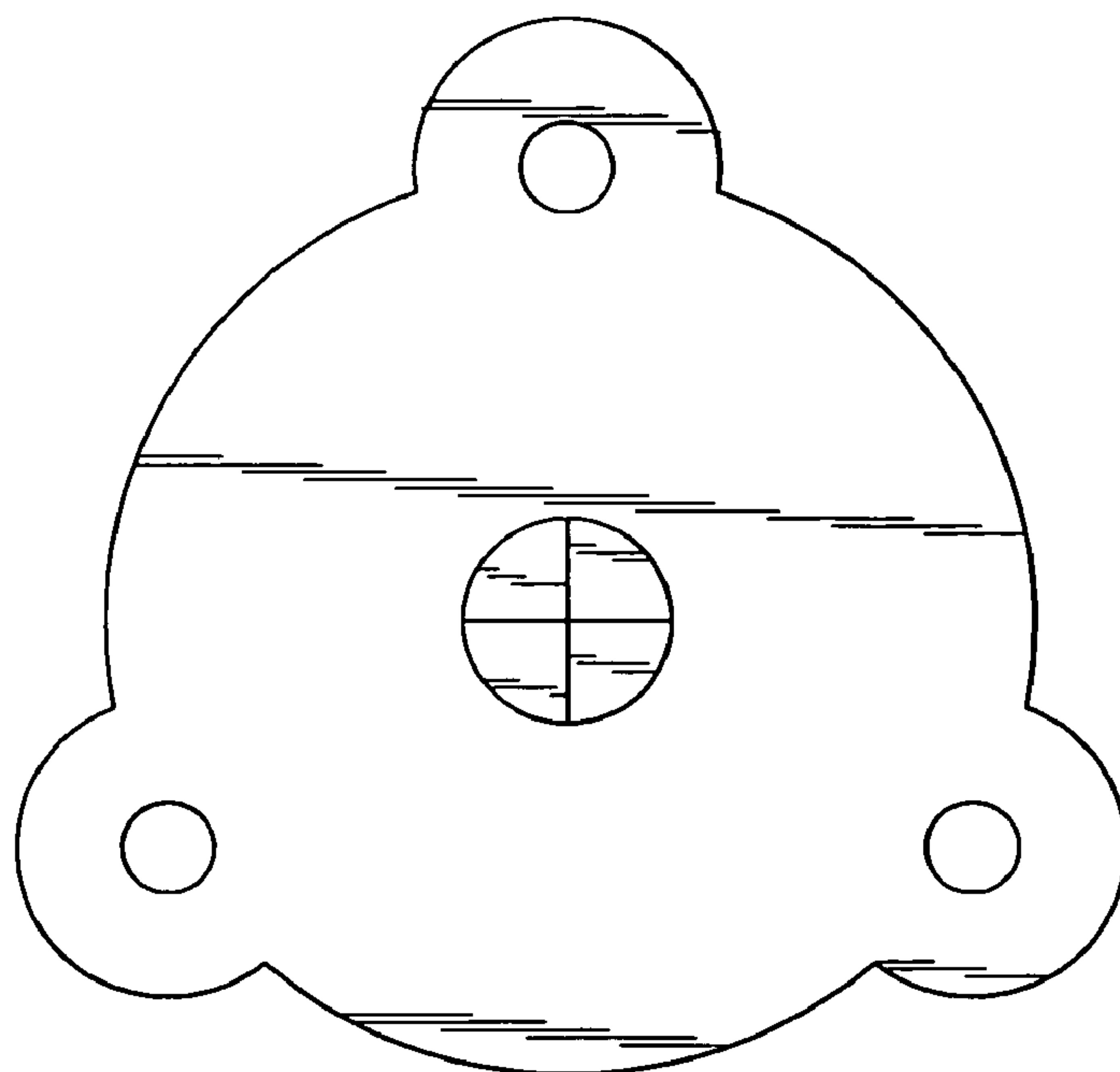


Fig. 9