



US00D649979S

(12) **United States Design Patent**
Gieske et al.

(10) **Patent No.:** **US D649,979 S**
(45) **Date of Patent:** **** Dec. 6, 2011**

(54) **CARBURETOR FLOAT BOWL**

(75) Inventors: **Amy Gieske**, Bowling Green, KY (US);
Laura Shehan, Bowling Green, NY
(US); **Shane Weckerly**, Bowling Green,
KY (US)

(73) Assignee: **Holley Performance Products, Inc.**,
Bowling Green, KY (US)

(**) Term: **14 Years**

(21) Appl. No.: **29/397,981**

(22) Filed: **Jul. 25, 2011**

(51) **LOC (9) Cl.** **15-01**

(52) **U.S. Cl.** **D15/6**

(58) **Field of Classification Search** D15/1-6;
261/DIG. 67, 23.2, 34.1, 121.3

See application file for complete search history.

(56) **References Cited**

U.S. PATENT DOCUMENTS

6,364,291 B1 4/2002 Grant

(Continued)

Primary Examiner — T. Chase Nelson

Assistant Examiner — Ania Aman

(74) *Attorney, Agent, or Firm* — Hunton & Williams LLP

(57) **CLAIM**

The ornamental design for a carburetor float bowl, as shown and described.

DESCRIPTION

FIG. 1 is a front perspective view of a carburetor float bowl showing the claimed design according to one embodiment.

FIG. 2 is a front elevation view of the carburetor float bowl of FIG. 1.

FIG. 3 is a rear/inside view of the carburetor float bowl of FIG. 1.

FIG. 4 is a right side view of the carburetor float bowl of FIG. 1.

FIG. 5 is a left side view of the carburetor float bowl of FIG. 1.

FIG. 6 is a top plan view of the carburetor float bowl of FIG. 1.

FIG. 7 is a bottom plan view of the carburetor float bowl of FIG. 1.

FIG. 8 is a rear/inside view of the carburetor float bowl of FIG. 1.

FIG. 9 is a front perspective view of a carburetor float bowl showing the claimed design according to one embodiment.

FIG. 10 is a front elevation view of the carburetor float bowl of FIG. 9.

FIG. 11 is a rear/inside view of the carburetor float bowl of FIG. 9.

FIG. 12 is a right side view of the carburetor float bowl of FIG. 9.

FIG. 13 is a left side view of the carburetor float bowl of FIG. 9.

FIG. 14 is a top plan view of the carburetor float bowl of FIG. 9.

FIG. 15 is a bottom plan view of the carburetor float bowl of FIG. 9.

FIG. 16 is a rear/inside view of the carburetor float bowl of FIG. 9.

FIG. 17 is a front perspective view of a carburetor float bowl showing the claimed design according to one embodiment.

FIG. 18 is a front elevation view of the carburetor float bowl of FIG. 17.

FIG. 19 is a rear/inside view of the carburetor float bowl of FIG. 17.

FIG. 20 is a right side view of the carburetor float bowl of FIG. 17.

FIG. 21 is a left side view of the carburetor float bowl of FIG. 17.

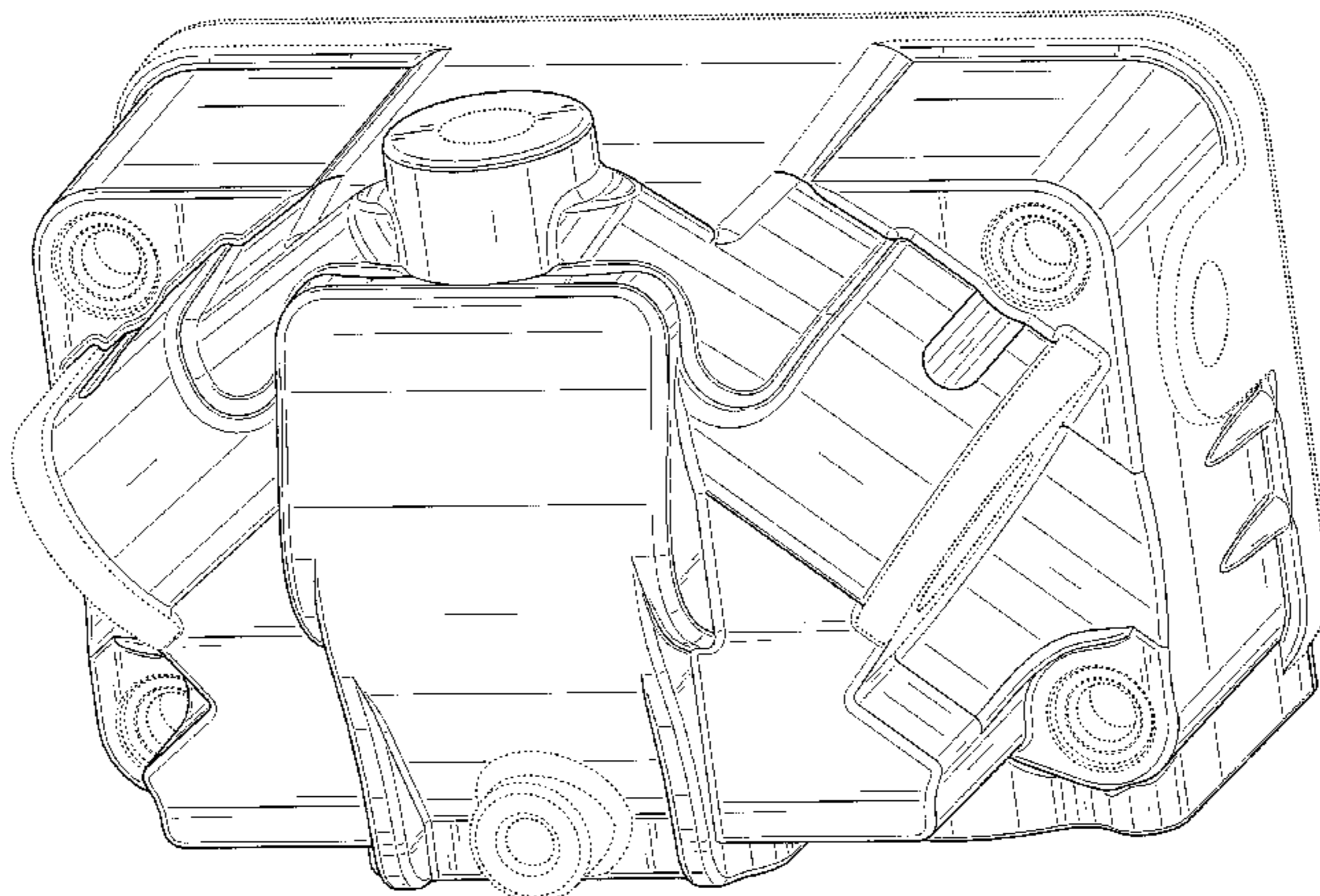
FIG. 22 is a top plan view of the carburetor float bowl of FIG. 17.

FIG. 23 is a bottom plan view of the carburetor float bowl of FIG. 17; and,

FIG. 24 is a rear/inside view of the carburetor float bowl of FIG. 17.

The broken lines used in the figures are for illustrative purposes only and form no part of the claimed design.

1 Claim, 24 Drawing Sheets



US D649,979 S

Page 2

U.S. PATENT DOCUMENTS

D457,169 S	5/2002	Braswell	D543,555 S	5/2007	Braswell et al.	
D457,170 S	5/2002	Braswell	D543,999 S	6/2007	Braswell et al.	
D457,894 S	5/2002	Braswell	7,398,962 B2 *	7/2008	Cooper	261/70
D457,895 S	5/2002	Braswell	D578,550 S	10/2008	Benoit	
D457,896 S	5/2002	Braswell	D608,373 S	1/2010	Stewart, Jr.	
6,554,258 B2	4/2003	Braswell	2001/0054773 A1	12/2001	Braswell	

* cited by examiner

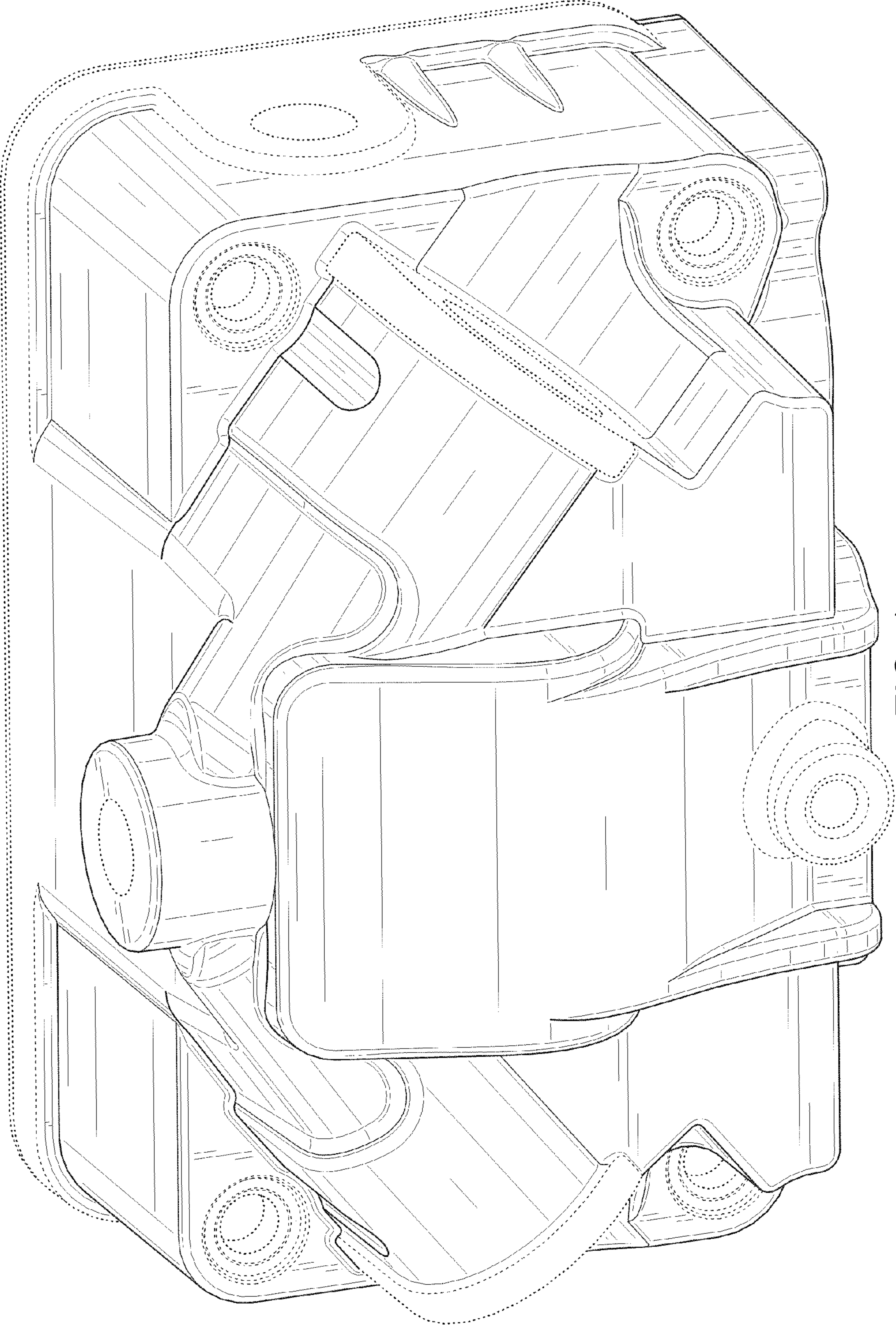


FIG. 1

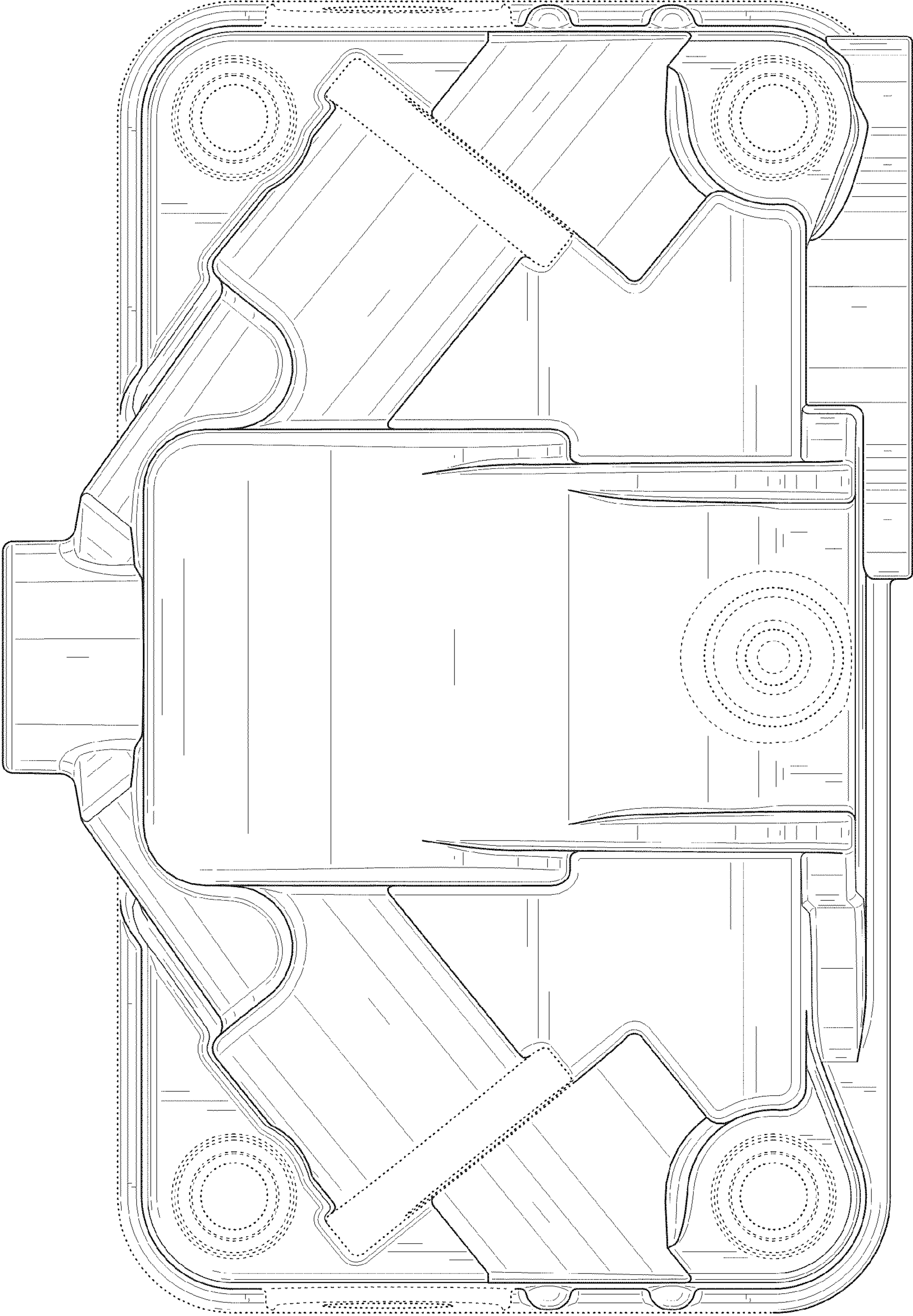


FIG. 2

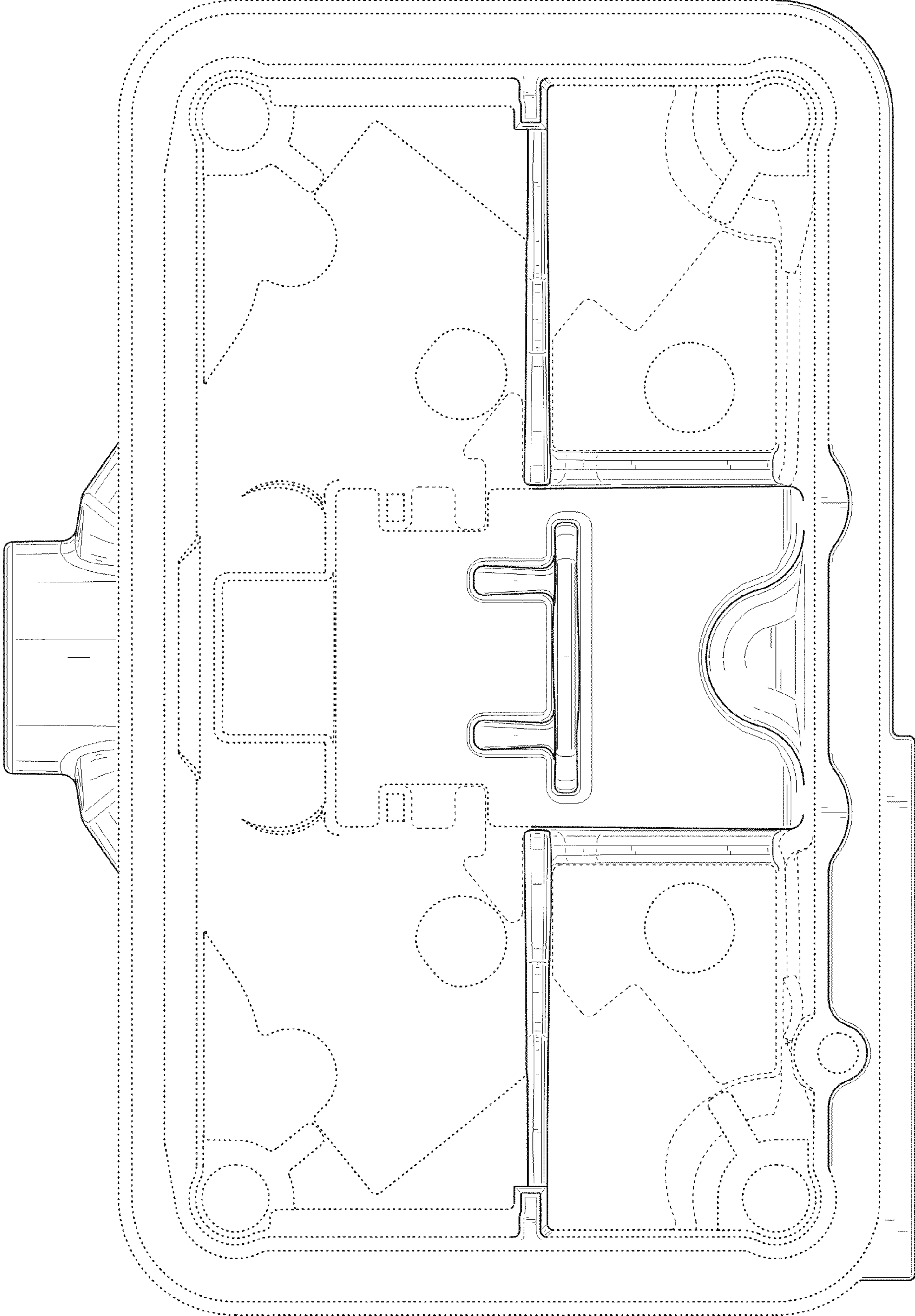


FIG. 3

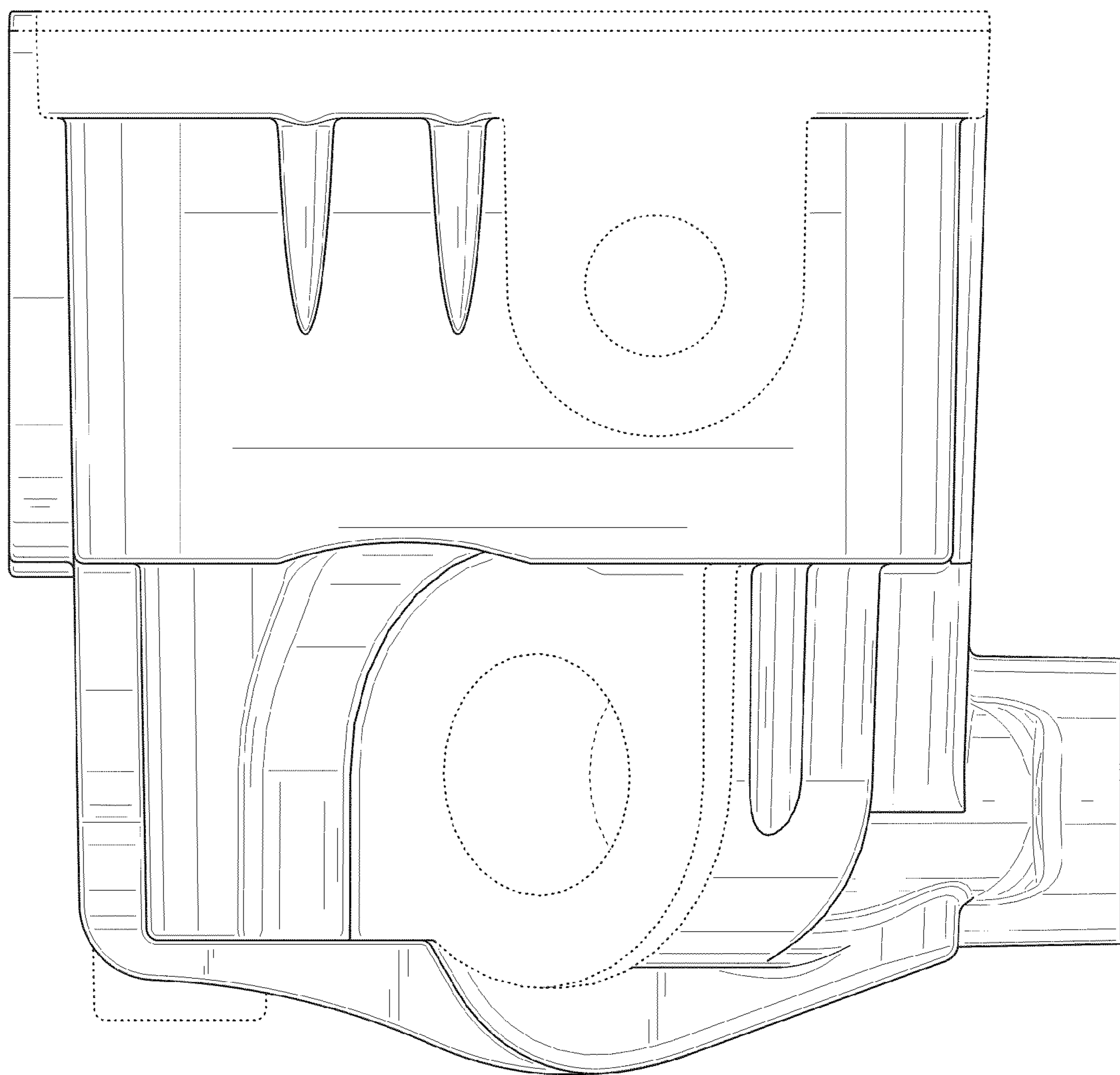


FIG. 4

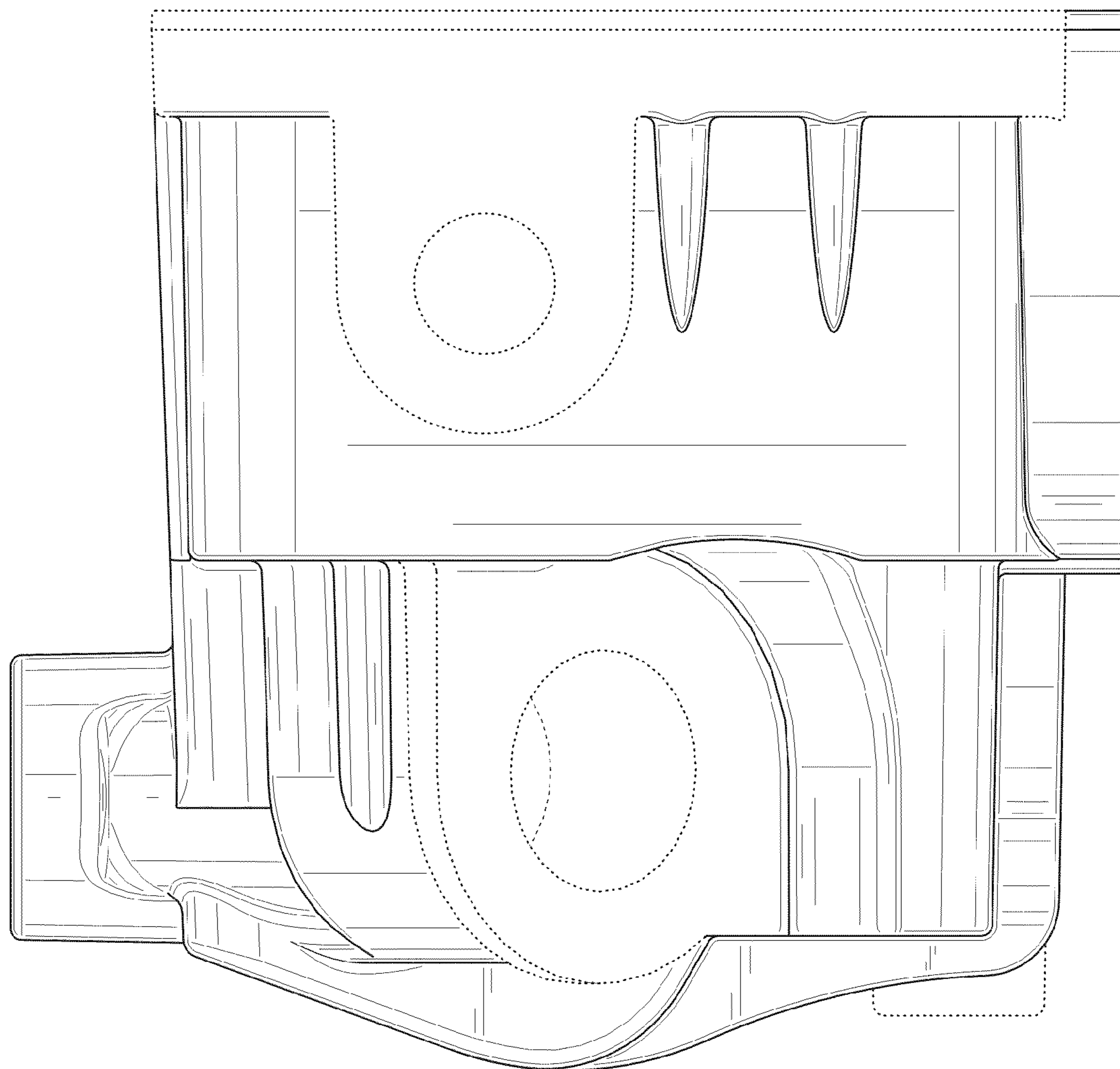


FIG. 5

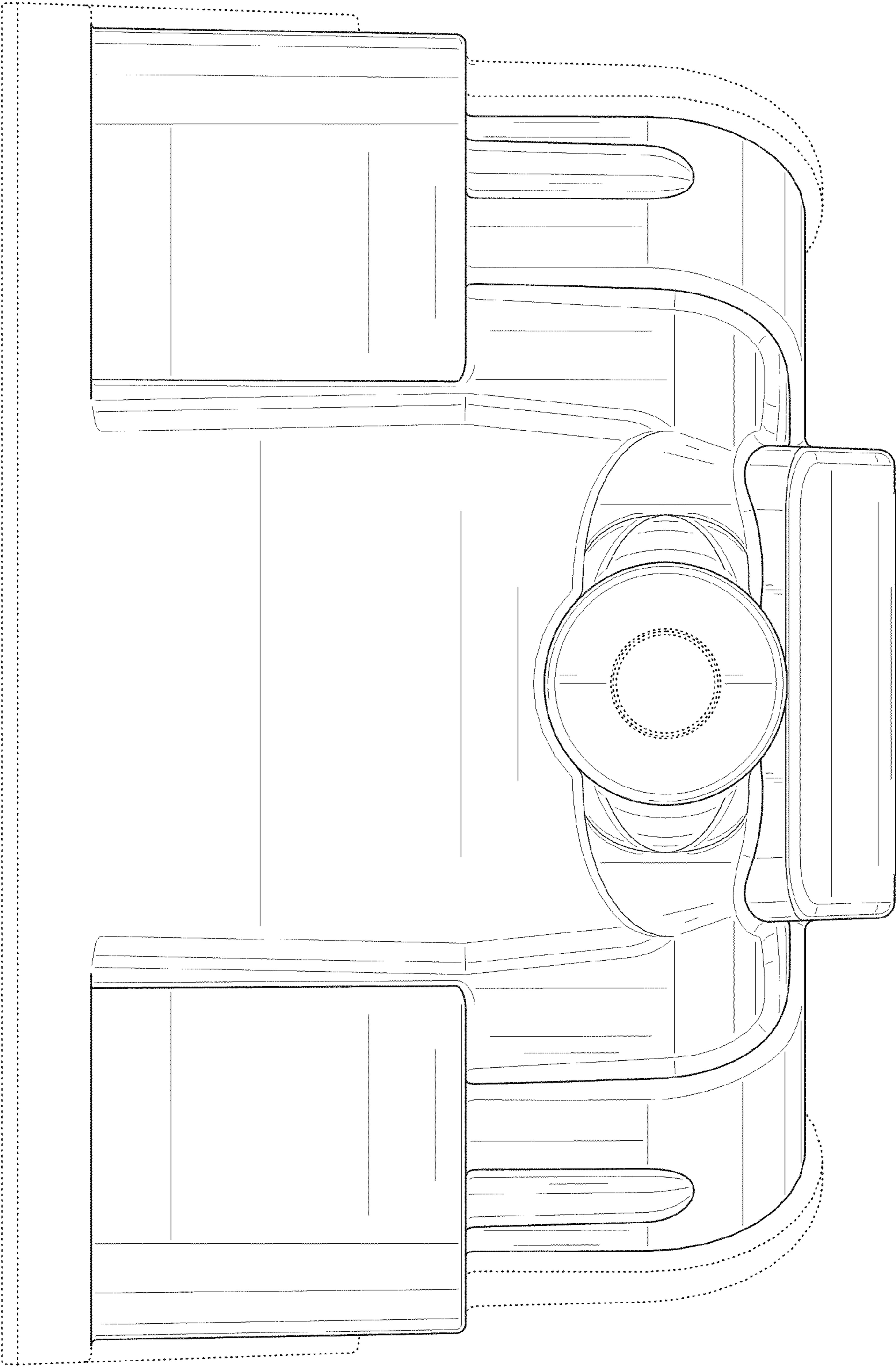


FIG. 6

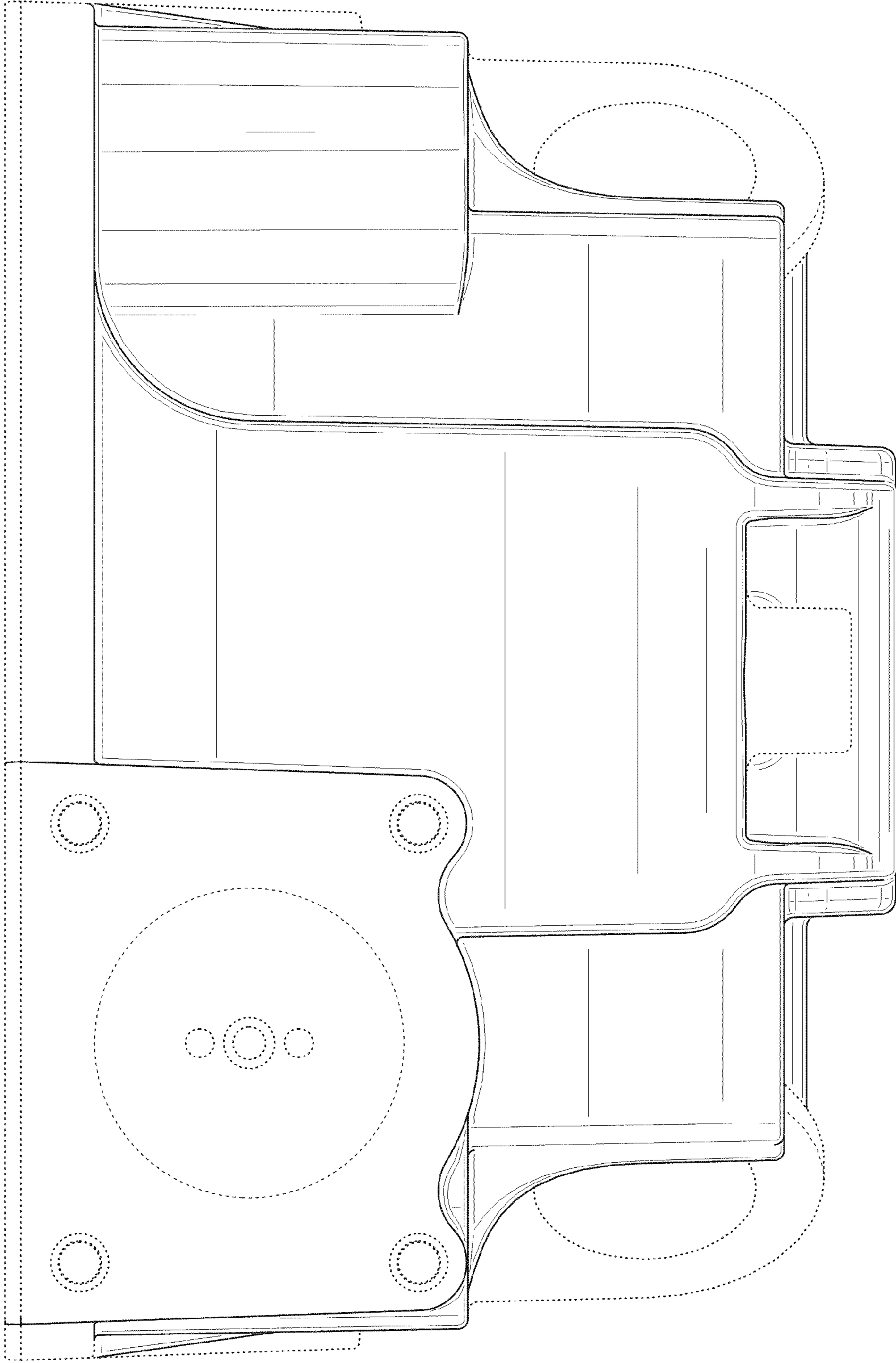


FIG. 7

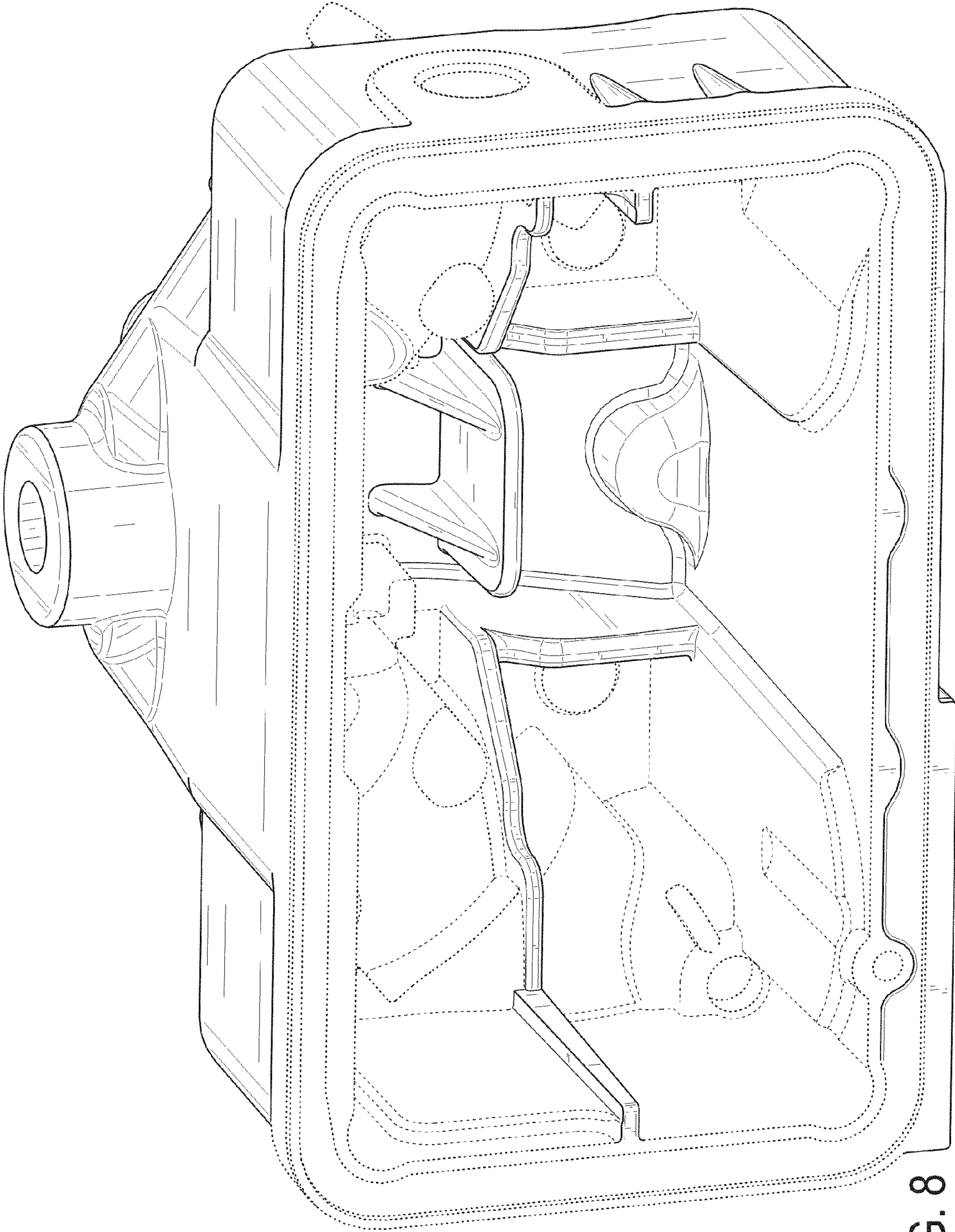


FIG. 8

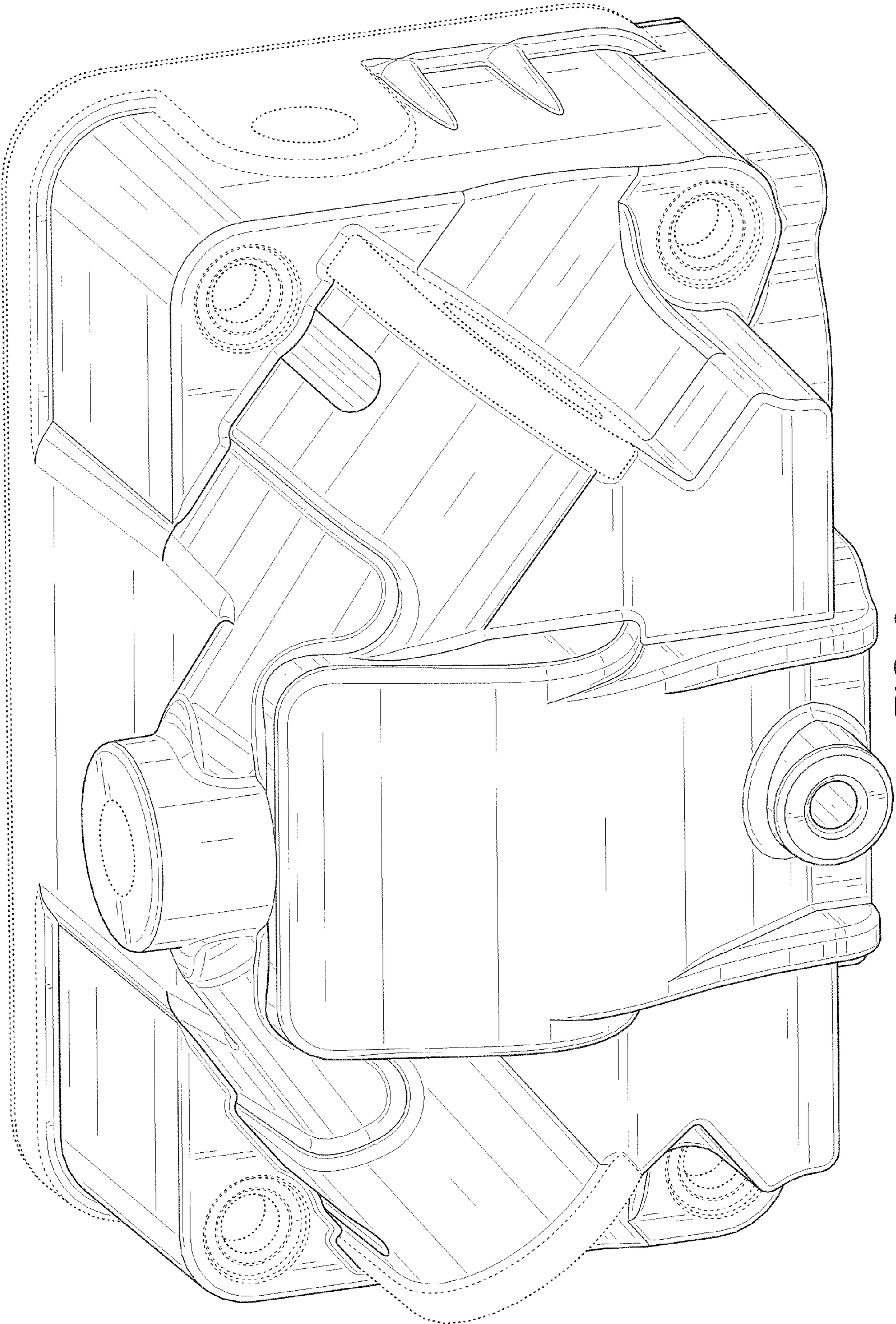


FIG. 9

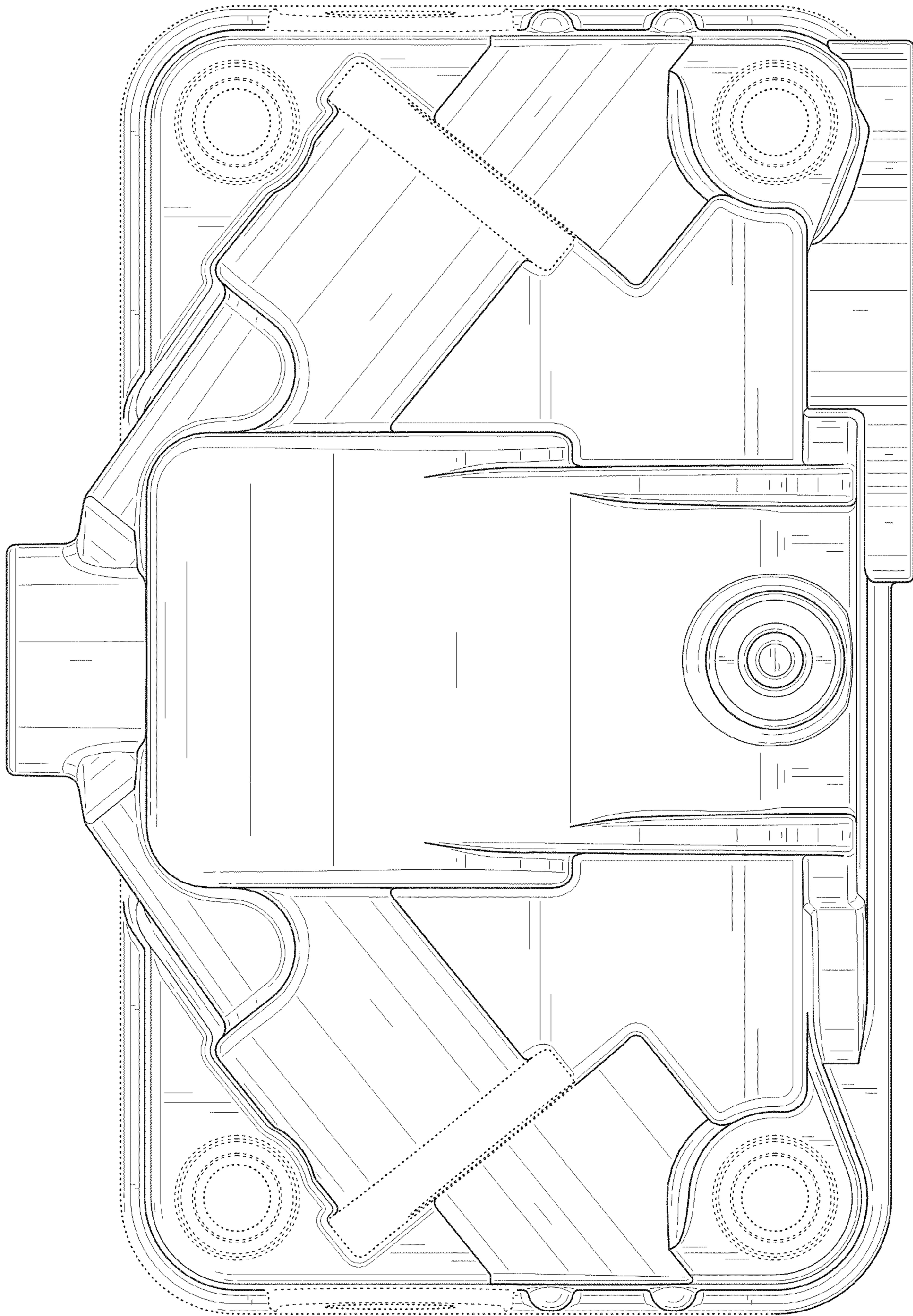


FIG. 10

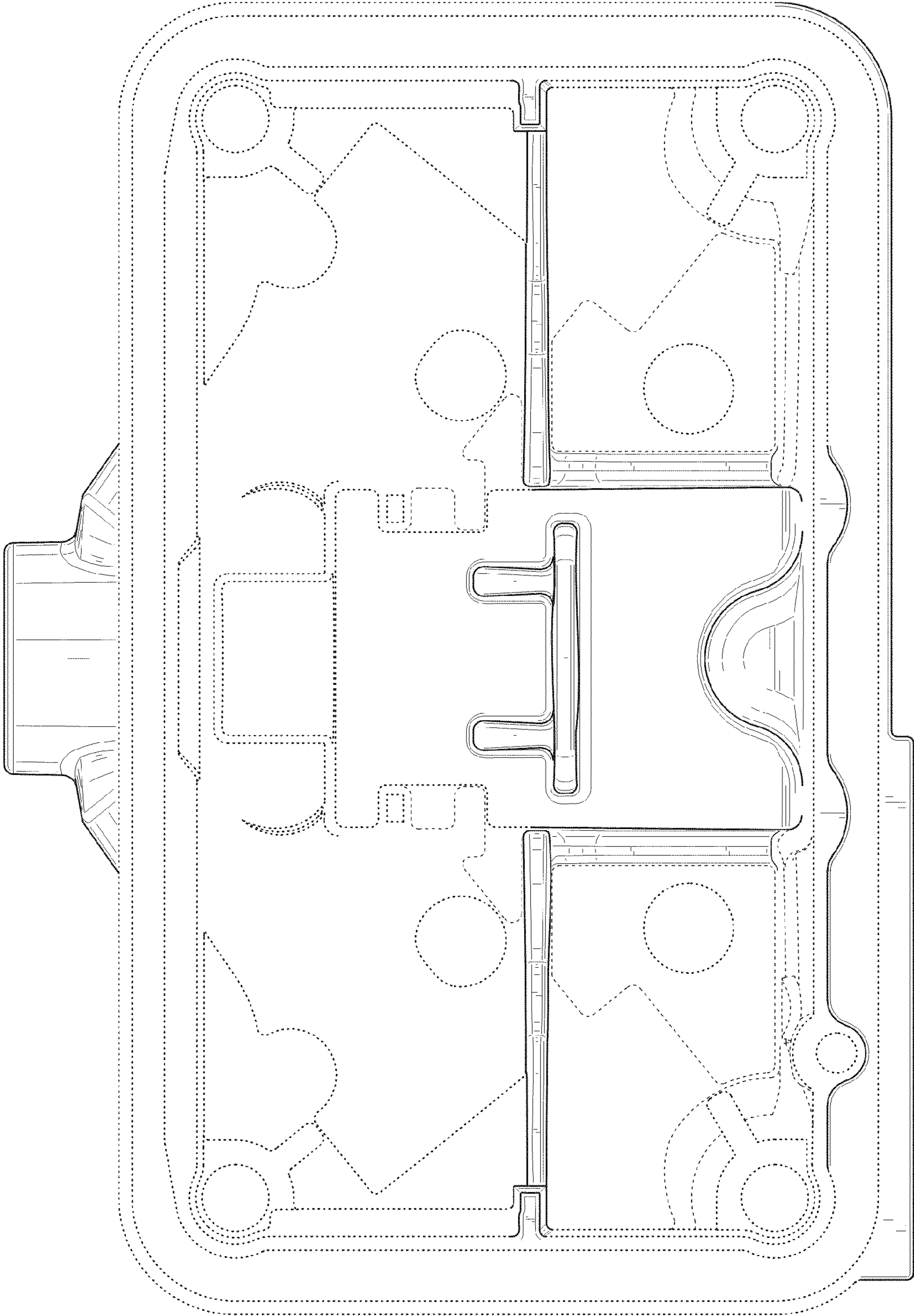


FIG. 11

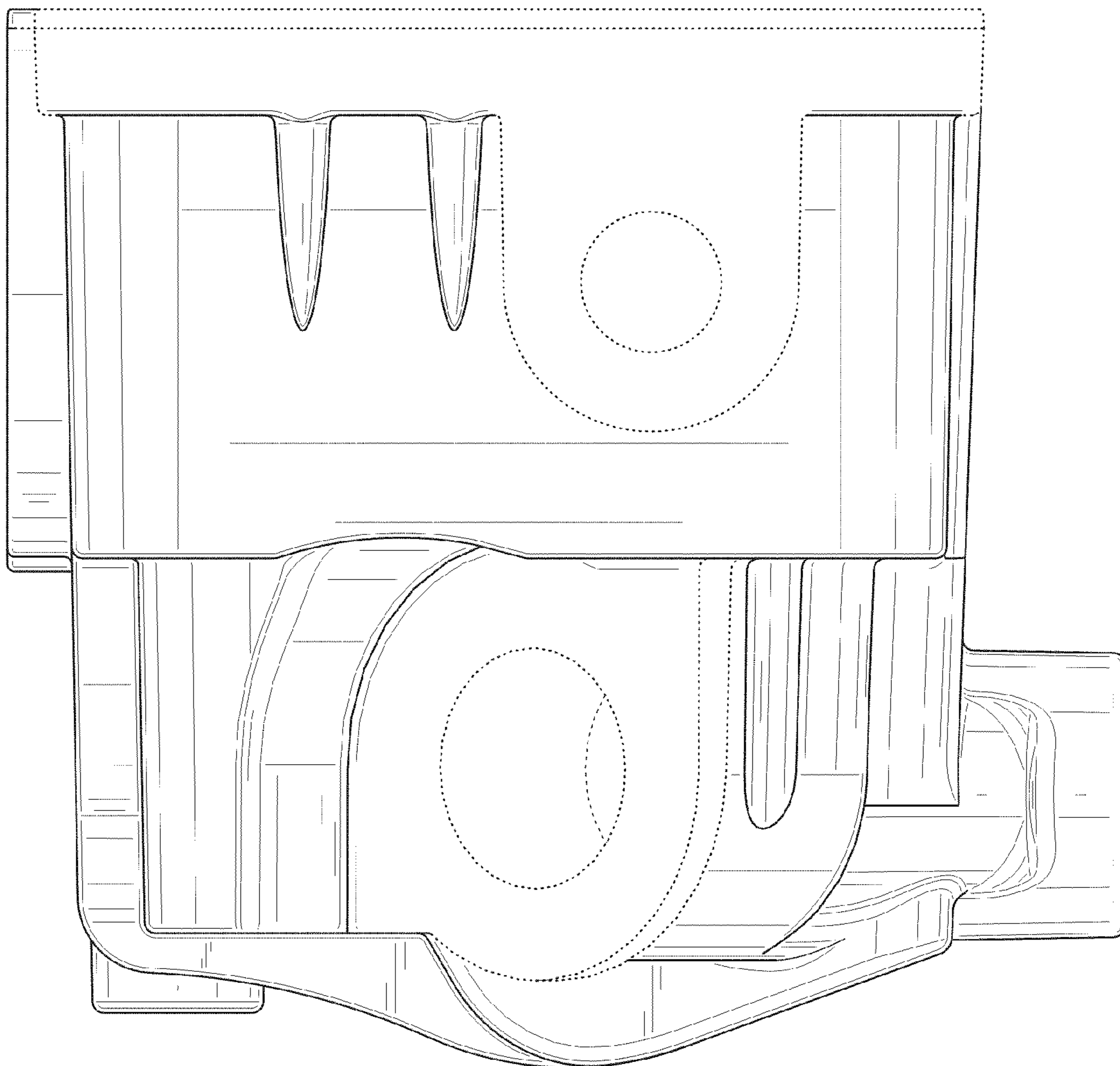


FIG. 12

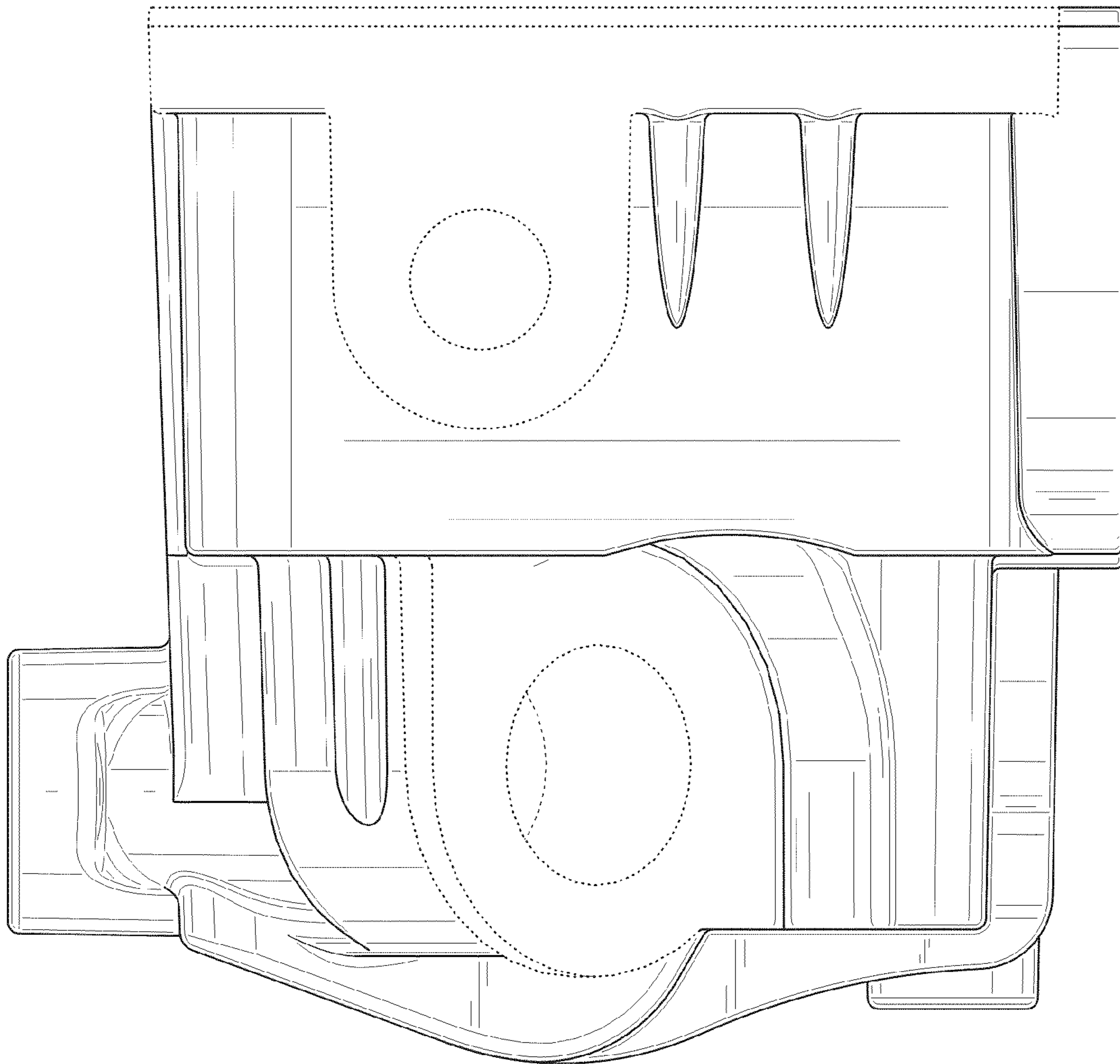


FIG. 13

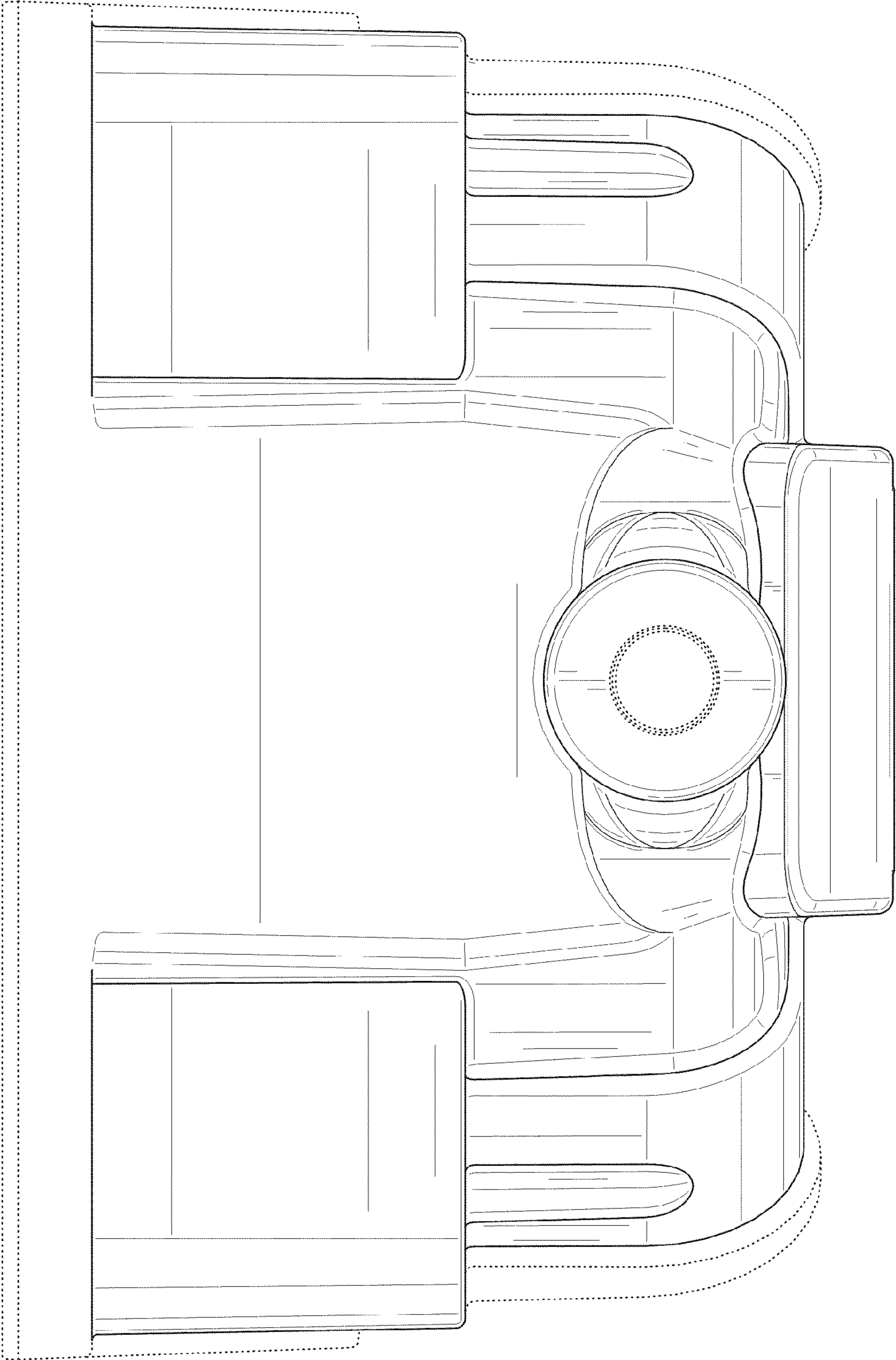


FIG. 14

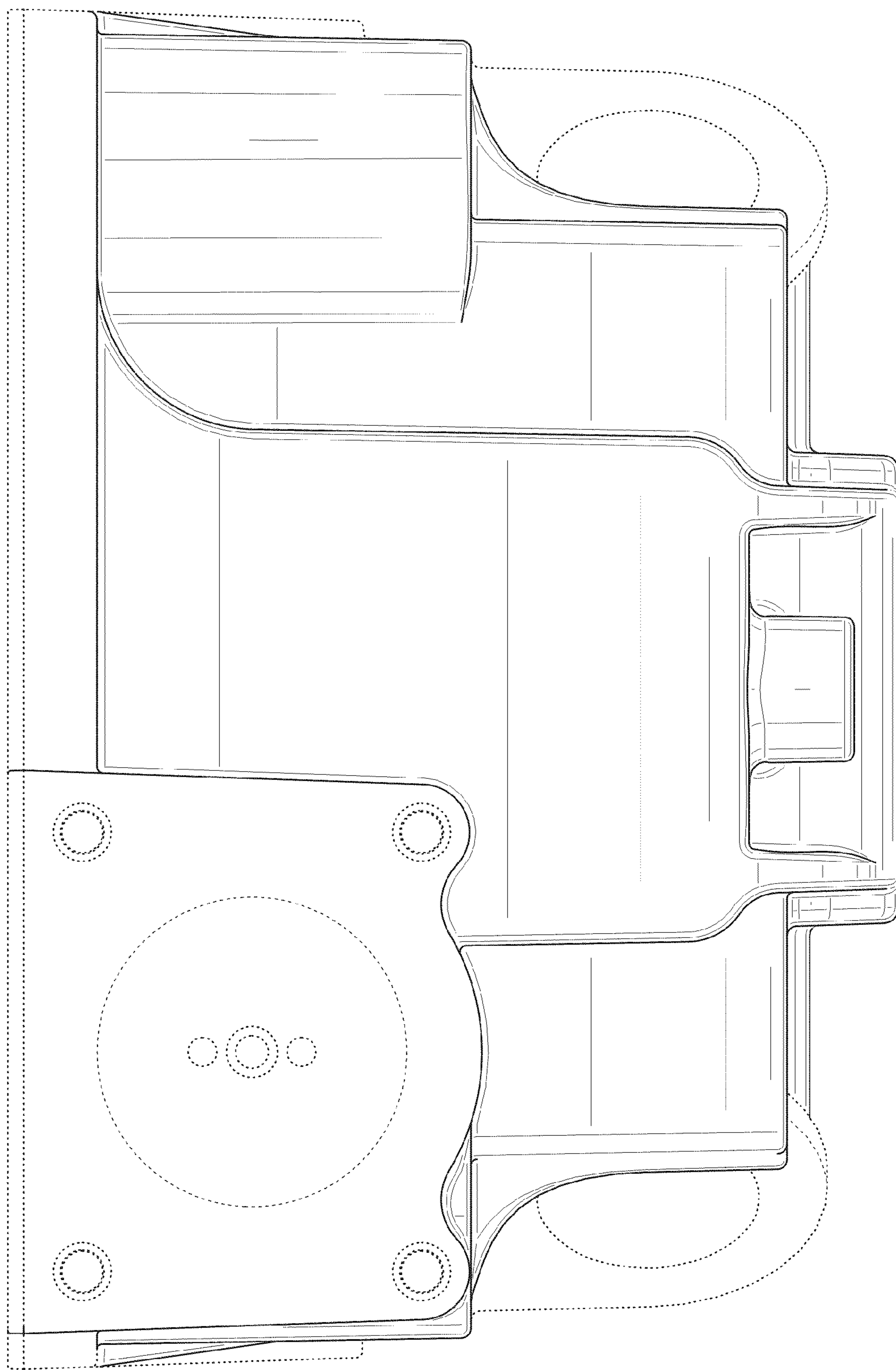


FIG. 15

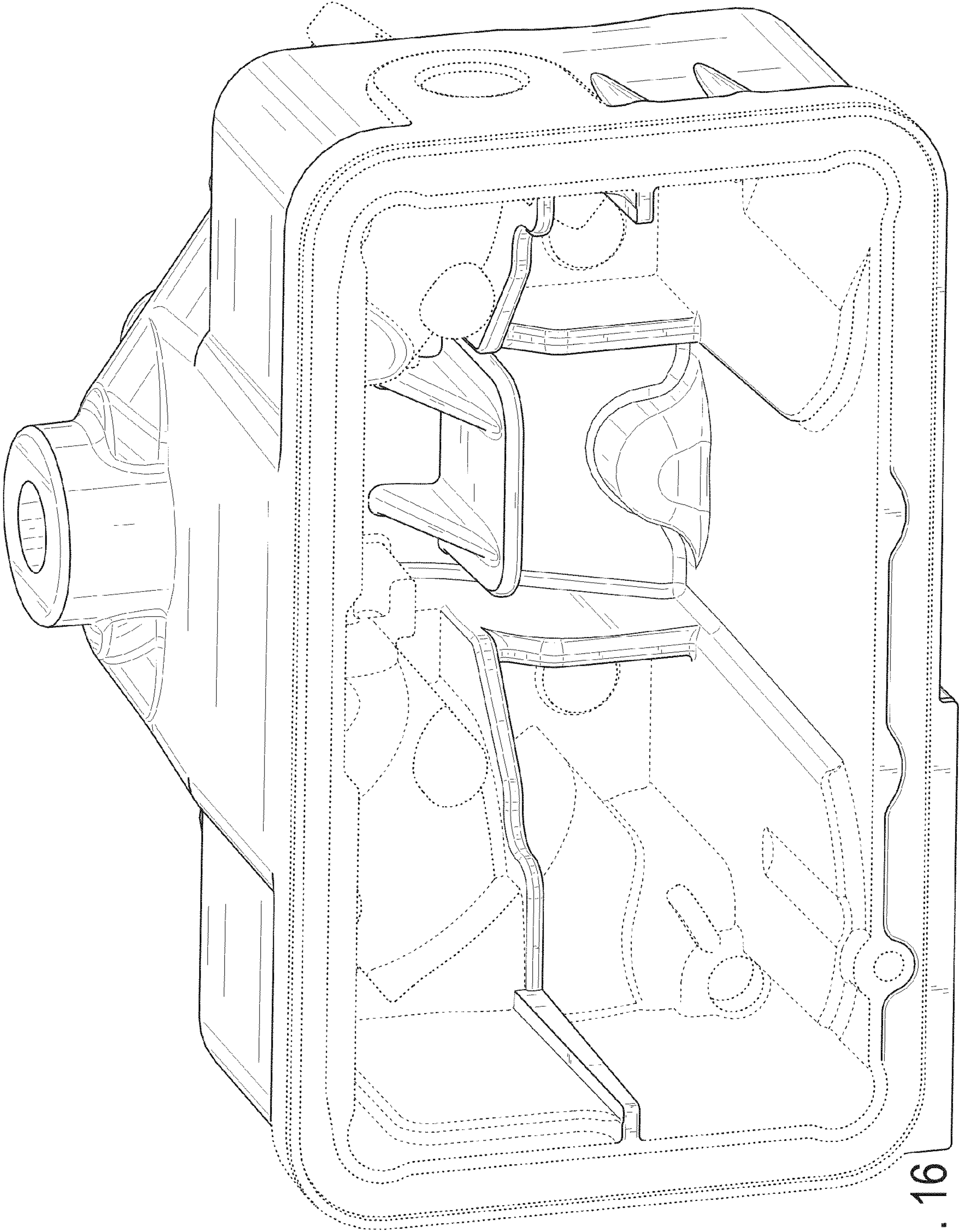


FIG. 16

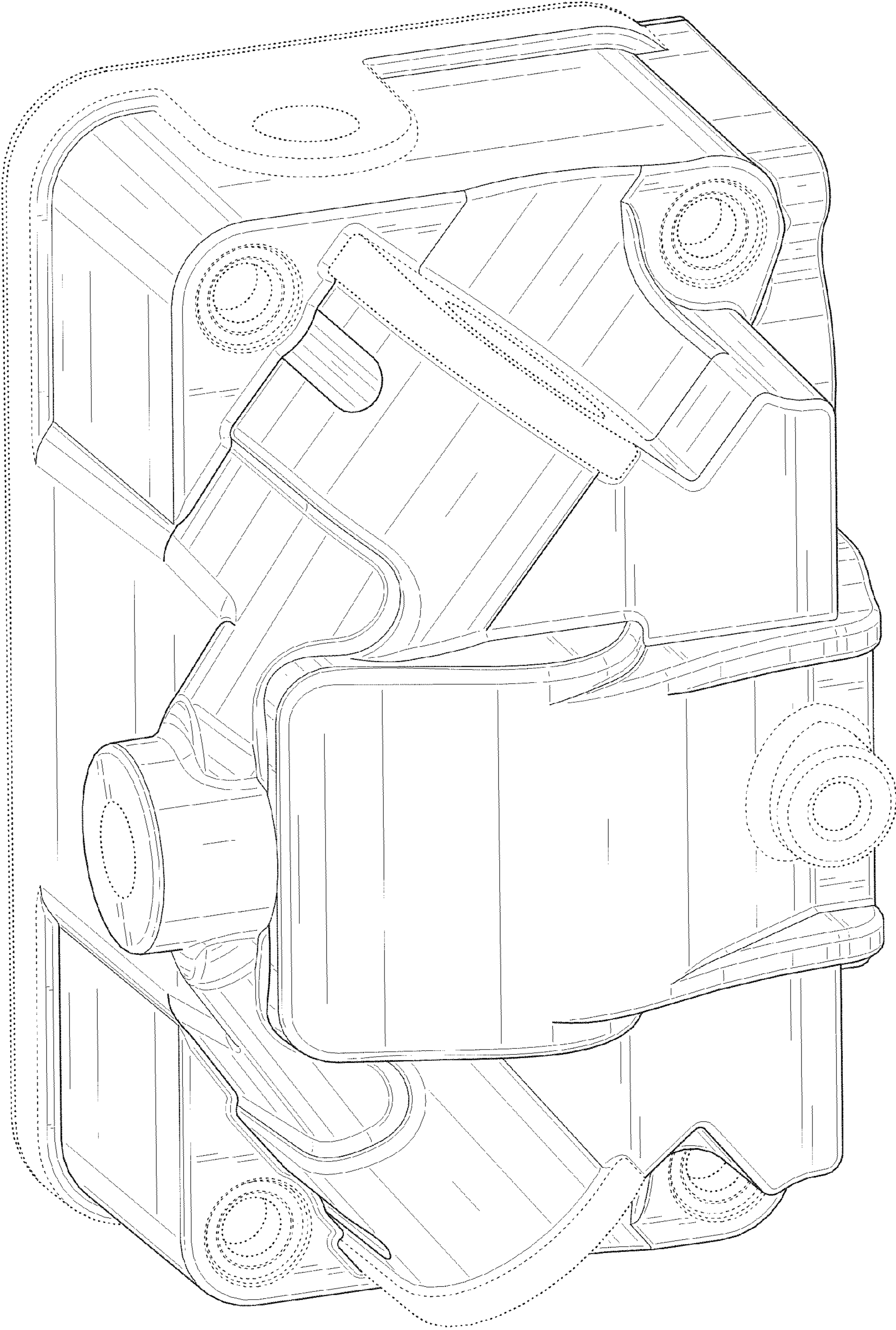


FIG. 17

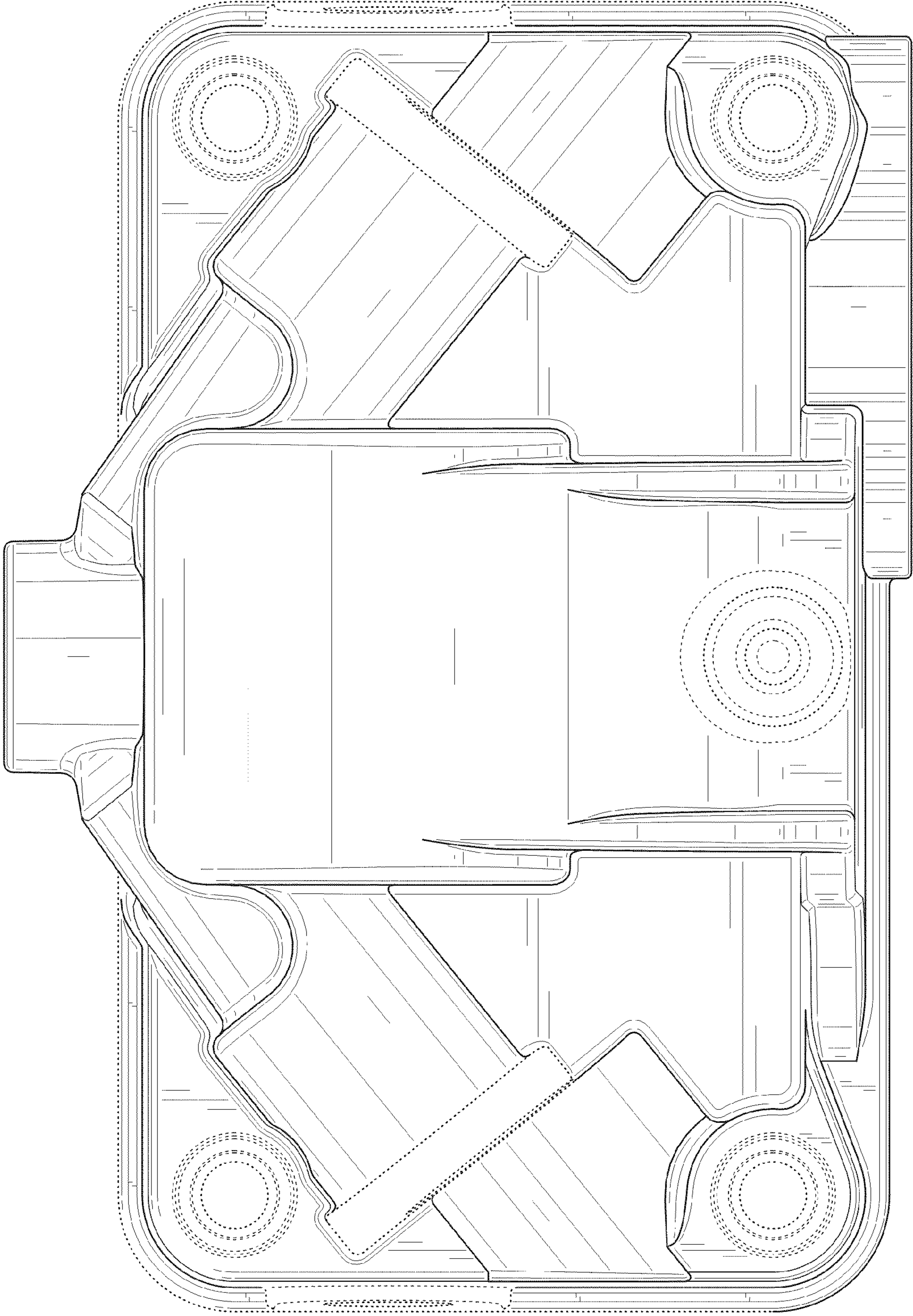


FIG. 18

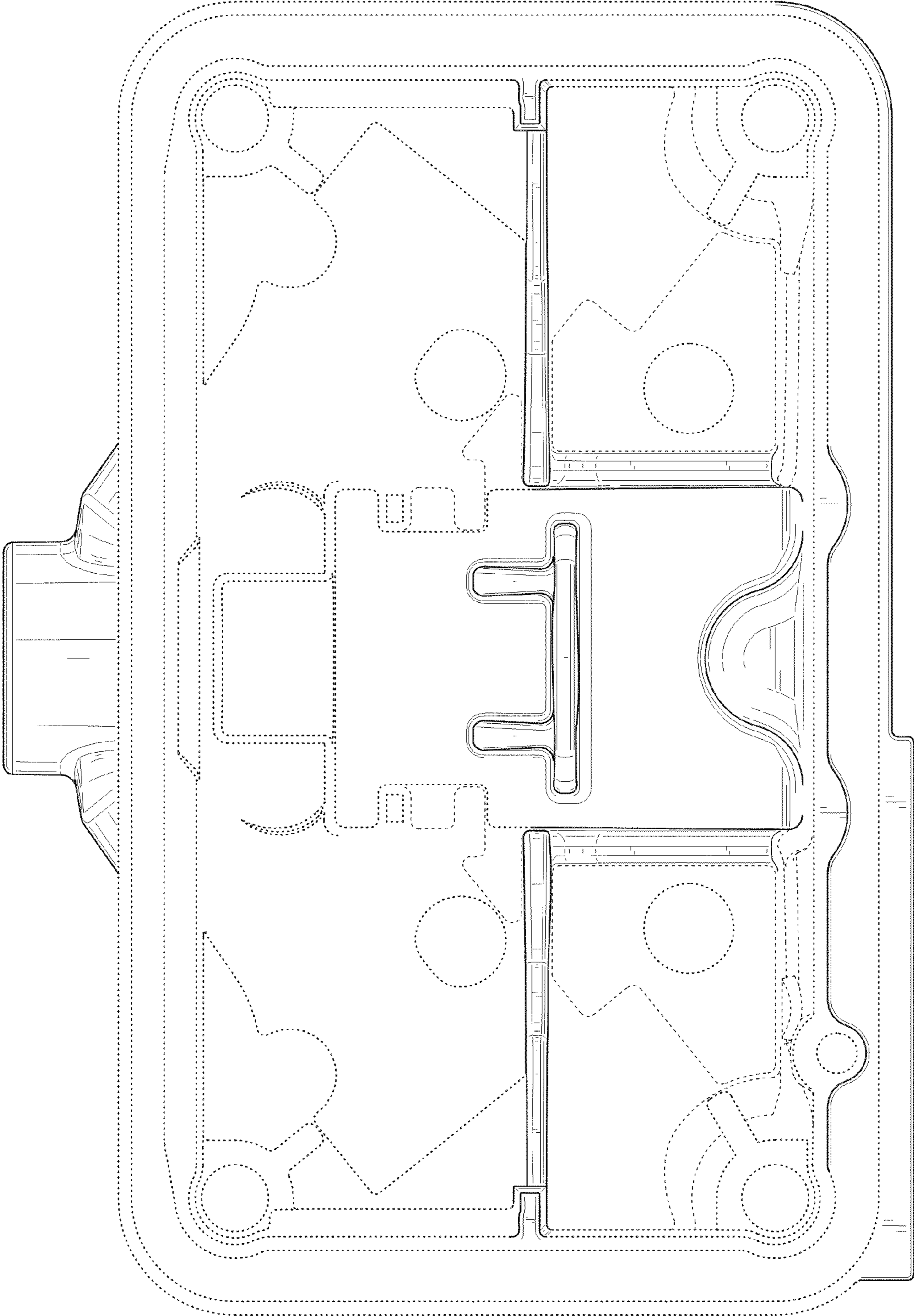


FIG. 19

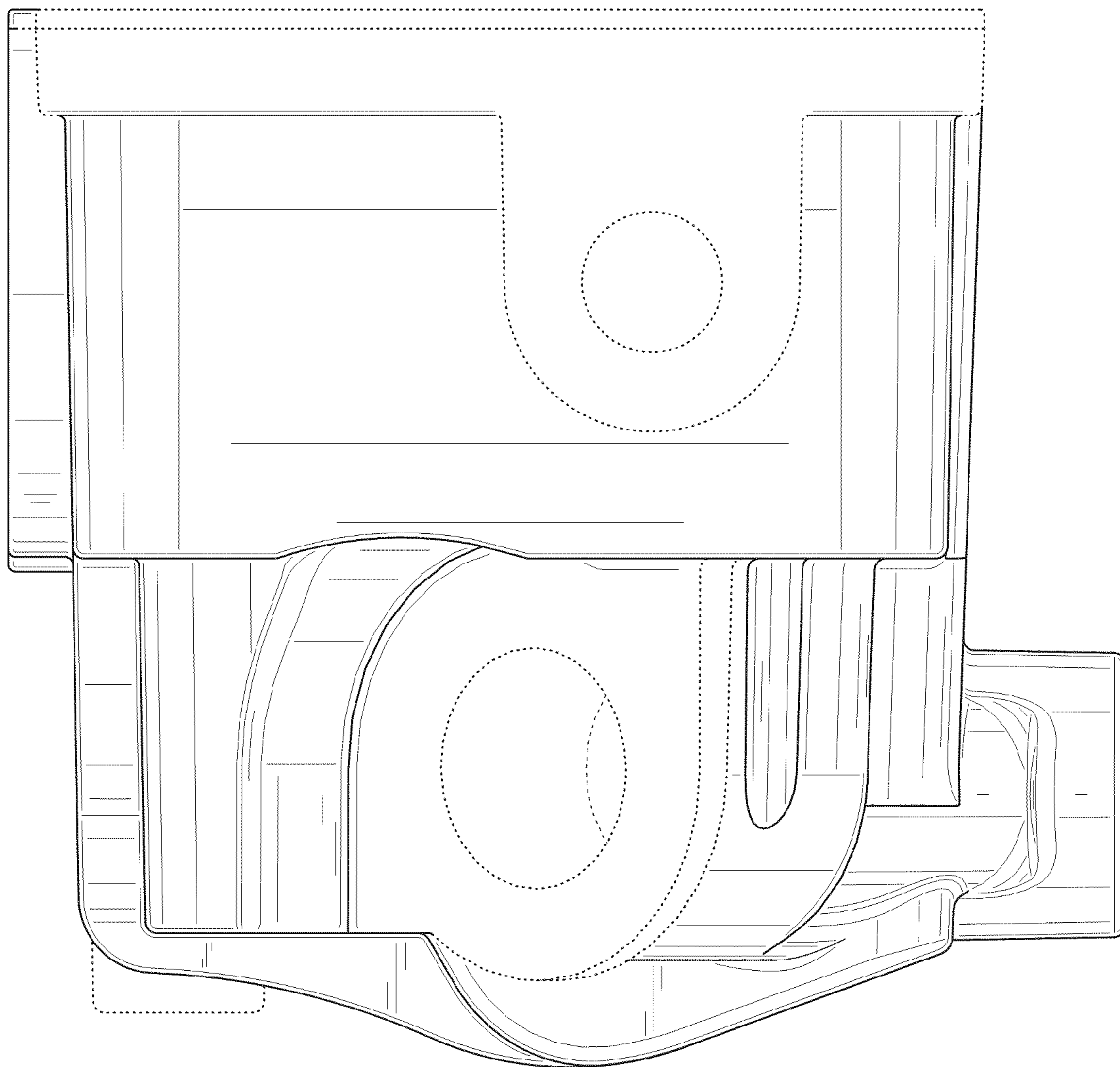


FIG. 20

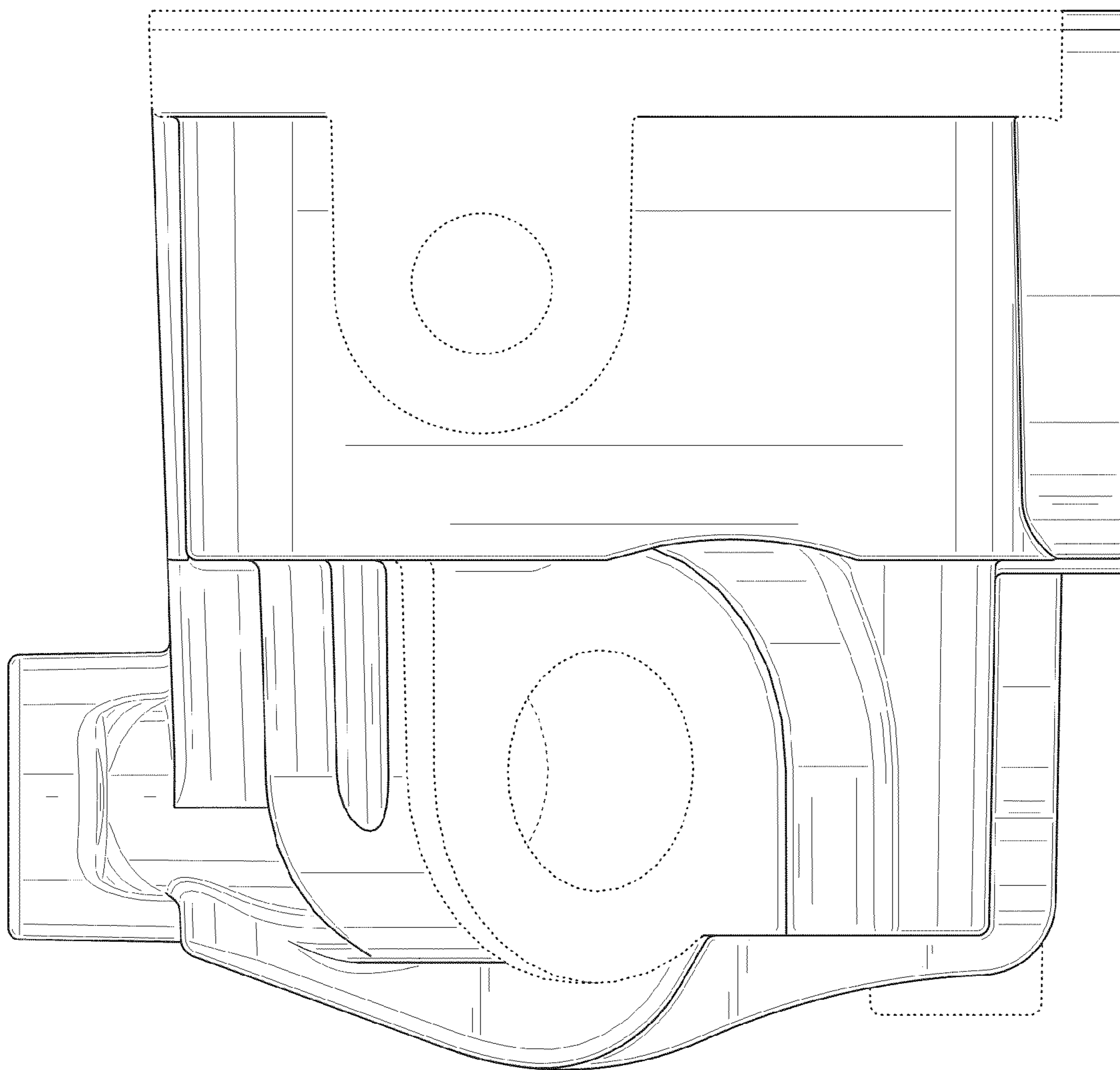


FIG. 21

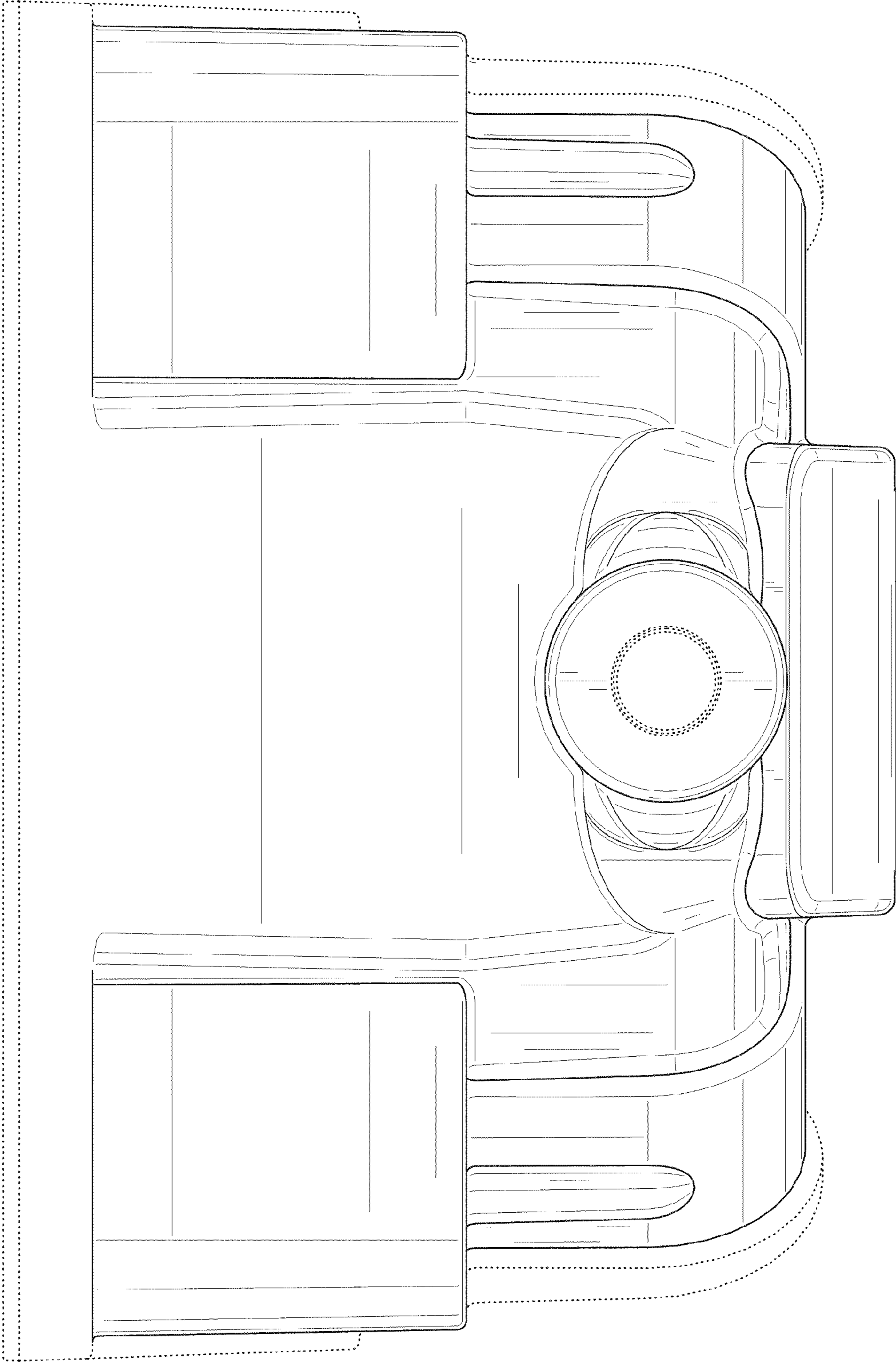


FIG. 22

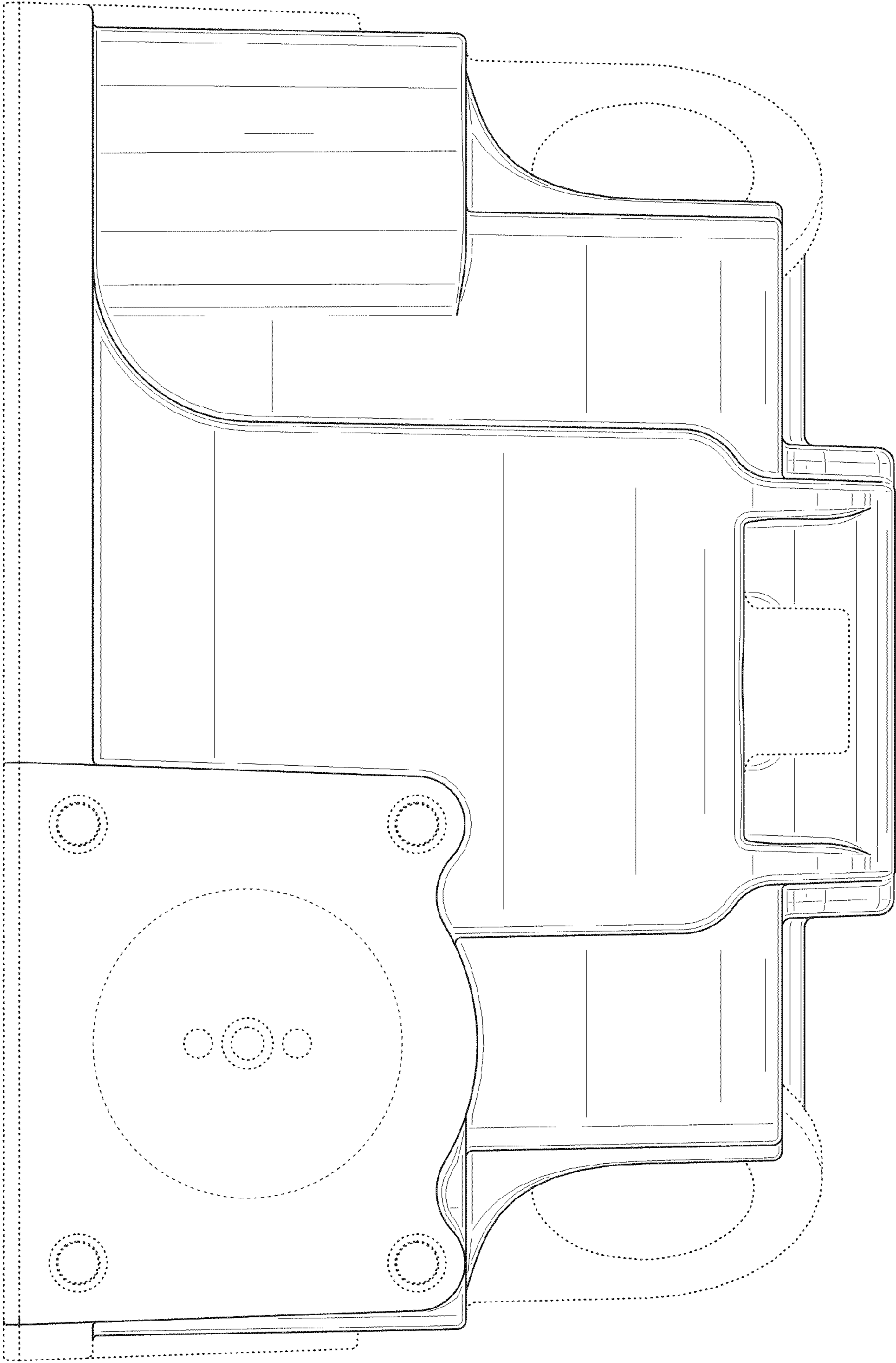


FIG. 23

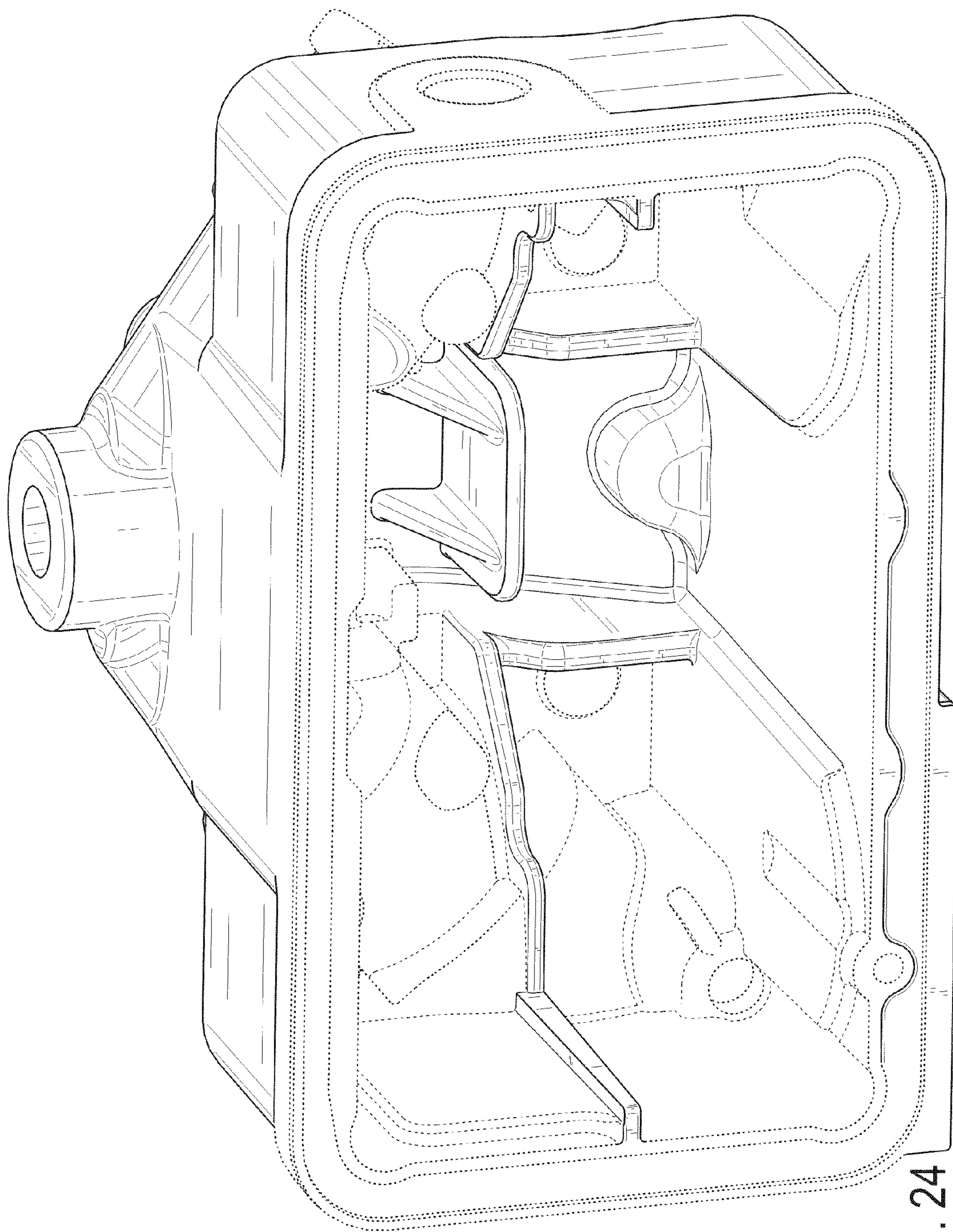


FIG. 24