

US00D649978S

(12) **United States Design Patent**
Aketa et al.

(10) **Patent No.:** **US D649,978 S**

(45) **Date of Patent:** **** Dec. 6, 2011**

(54) **INTERNAL COMBUSTION ENGINE**

(75) Inventors: **Masahiro Aketa**, Osaka (JP); **Wataru Iwanaga**, Osaka (JP); **Yuzo Umeda**, Osaka (JP); **Hiroyuki Anami**, Osaka (JP)

(73) Assignee: **Kubota Corporation**, Osaka (JP)

(**) Term: **14 Years**

(21) Appl. No.: **29/363,604**

(22) Filed: **Jun. 11, 2010**

Related U.S. Application Data

(62) Division of application No. 29/247,662, filed on Jun. 30, 2006, now Pat. No. Des. 619,149, which is a division of application No. 29/213,548, filed on Sep. 20, 2004, now Pat. No. Des. 529,513, which is a division of application No. 29/197,379, filed on Jan. 14, 2004, now Pat. No. Des. 499,741, which is a division of application No. 29/175,206, filed on Jan. 31, 2003, now Pat. No. Des. 494,191.

(30) **Foreign Application Priority Data**

Aug. 6, 2002	(JP)	2002-020941
Aug. 6, 2002	(JP)	2002-020945
Aug. 6, 2002	(JP)	2002-020946
Aug. 6, 2002	(JP)	2002-020947
Aug. 6, 2002	(JP)	2002-020948
Aug. 6, 2002	(JP)	2002-020949
Aug. 6, 2002	(JP)	2002-020954
Aug. 6, 2002	(JP)	2002-020955
Aug. 6, 2002	(JP)	2002-020956
Aug. 6, 2002	(JP)	2002-020957
Aug. 6, 2002	(JP)	2002-020958
Aug. 6, 2002	(JP)	2002-020959
Aug. 6, 2002	(JP)	2002-020960
Aug. 6, 2002	(JP)	2002-020961
Aug. 6, 2002	(JP)	2002-020962

(51) **LOC (9) Cl.** **15-01**

(52) **U.S. Cl.** **D15/5**

(58) **Field of Classification Search** D15/1-9, D15/15-17; 123/50 A, 50 B, 198 E, 657, 123/661, 667, 306, 308

See application file for complete search history.

(56) **References Cited**

U.S. PATENT DOCUMENTS

D275,198	S	*	8/1984	Yokota et al.	D15/1
D280,200	S	*	8/1985	Iwakura et al.	D15/1
D282,071	S		1/1986	Nakamura		
D293,114	S	*	12/1987	Brogdon	D15/1
D309,457	S	*	7/1990	Eifert et al.	D15/1
D309,458	S	*	7/1990	Johnson et al.	D15/1
D330,897	S	*	11/1992	Carlson et al.	D15/1
5,740,774	A	*	4/1998	Kennedy	123/198 E
D398,010	S	*	9/1998	Yoshida et al.	D15/1

(Continued)

Primary Examiner — Cathron C. Brooks

Assistant Examiner — Maurice Stevens

(74) *Attorney, Agent, or Firm* — Panitch Schwarze Belisario & Nadel LLP

(57) **CLAIM**

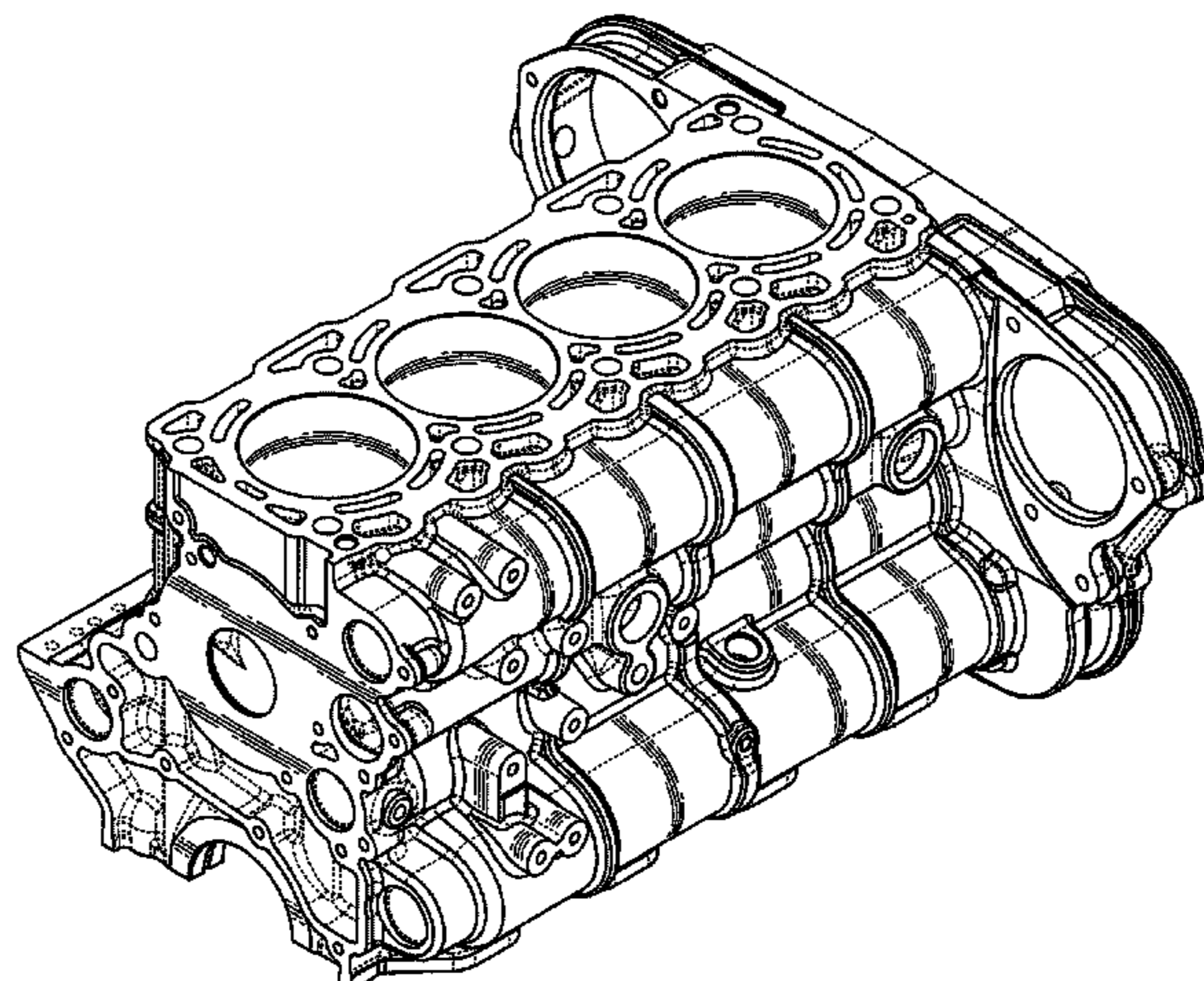
The ornamental design for an internal combustion engine, as shown and described.

DESCRIPTION

FIG. 1 is a front, left side perspective view of an internal combustion engine according to our new design; FIG. 2 is a front, right side perspective view thereof; FIG. 3 is a rear, left side perspective view thereof; FIG. 4 is a rear, right side perspective view thereof; FIG. 5 is a front elevational view thereof; FIG. 6 is a left side elevational view thereof; FIG. 7 is a top view thereof; FIG. 8 is a right side elevational view thereof; FIG. 9 is a rear elevational view thereof; and, FIG. 10 is a bottom view thereof.

The broken lines in the figures are for illustrative purposes only and form no part of the claimed design.

1 Claim, 10 Drawing Sheets



US D649,978 S

Page 2

U.S. PATENT DOCUMENTS

D401,596 S *	11/1998	Yukami	D15/1	D468,687 S *	1/2003	Hamada et al.	D13/113
D406,146 S *	2/1999	Kobayashi	D15/1	6,612,275 B2 *	9/2003	Immel et al.	123/90.31
D444,478 S *	7/2001	Shimizu	D15/1	D482,045 S	11/2003	Iwata et al.	
D449,620 S *	10/2001	Feuling	D15/1	D489,076 S *	4/2004	Hiraiwa et al.	D15/1
D453,522 S *	2/2002	Maeda et al.	D15/1	D491,192 S *	6/2004	Davis	D15/1
D457,891 S *	5/2002	Matre	D15/1	D493,806 S *	8/2004	Csiki	D15/1
6,382,174 B1 *	5/2002	Nezu et al.	123/198 E	D494,191 S	8/2004	Aketa et al.	
D465,498 S *	11/2002	Geffert	D15/1	D499,741 S	12/2004	Aketa et al.	
D466,906 S *	12/2002	Francis	D15/1	D529,513 S	10/2006	Aketa et al.	

* cited by examiner

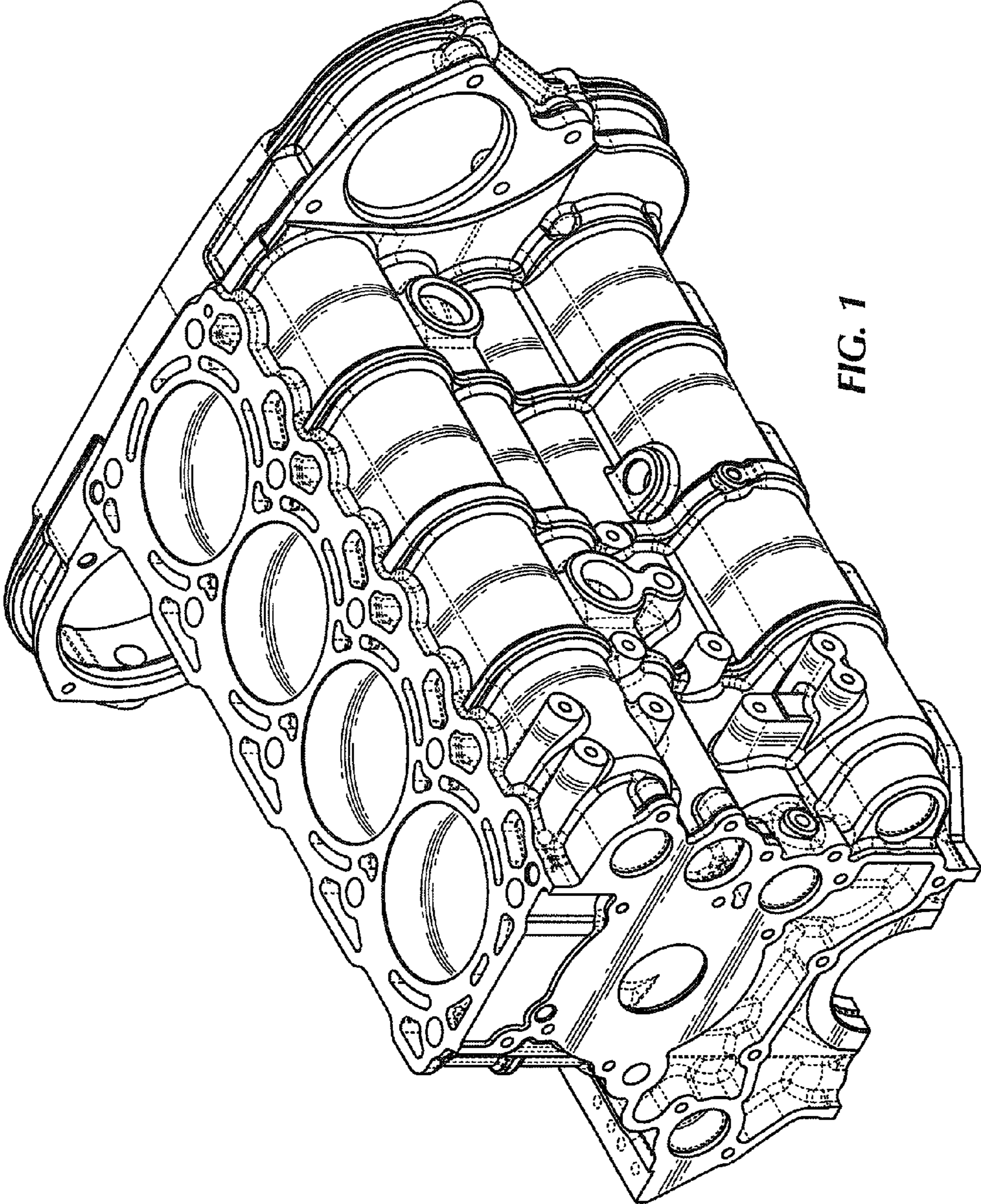


FIG. 1

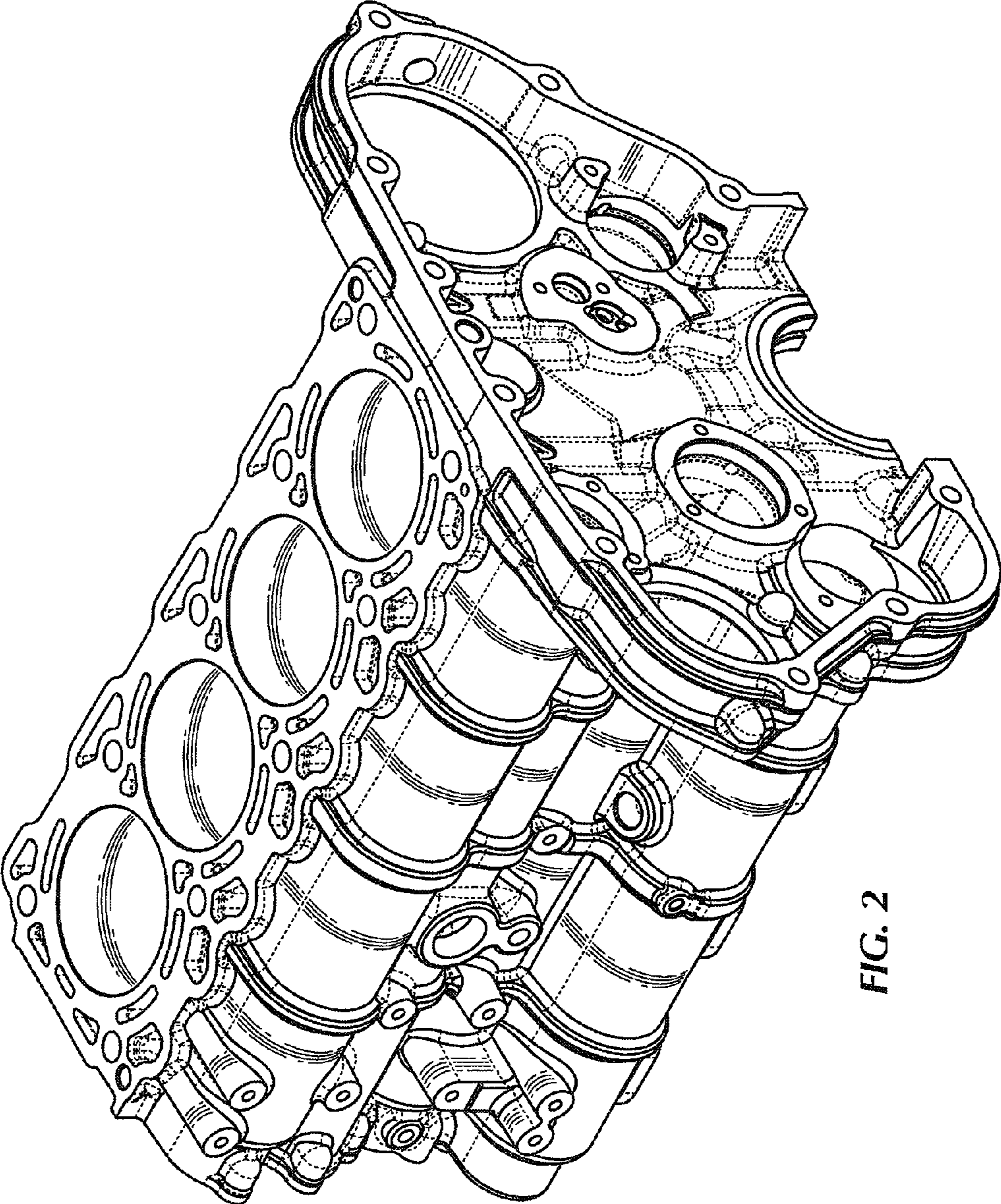


FIG. 2

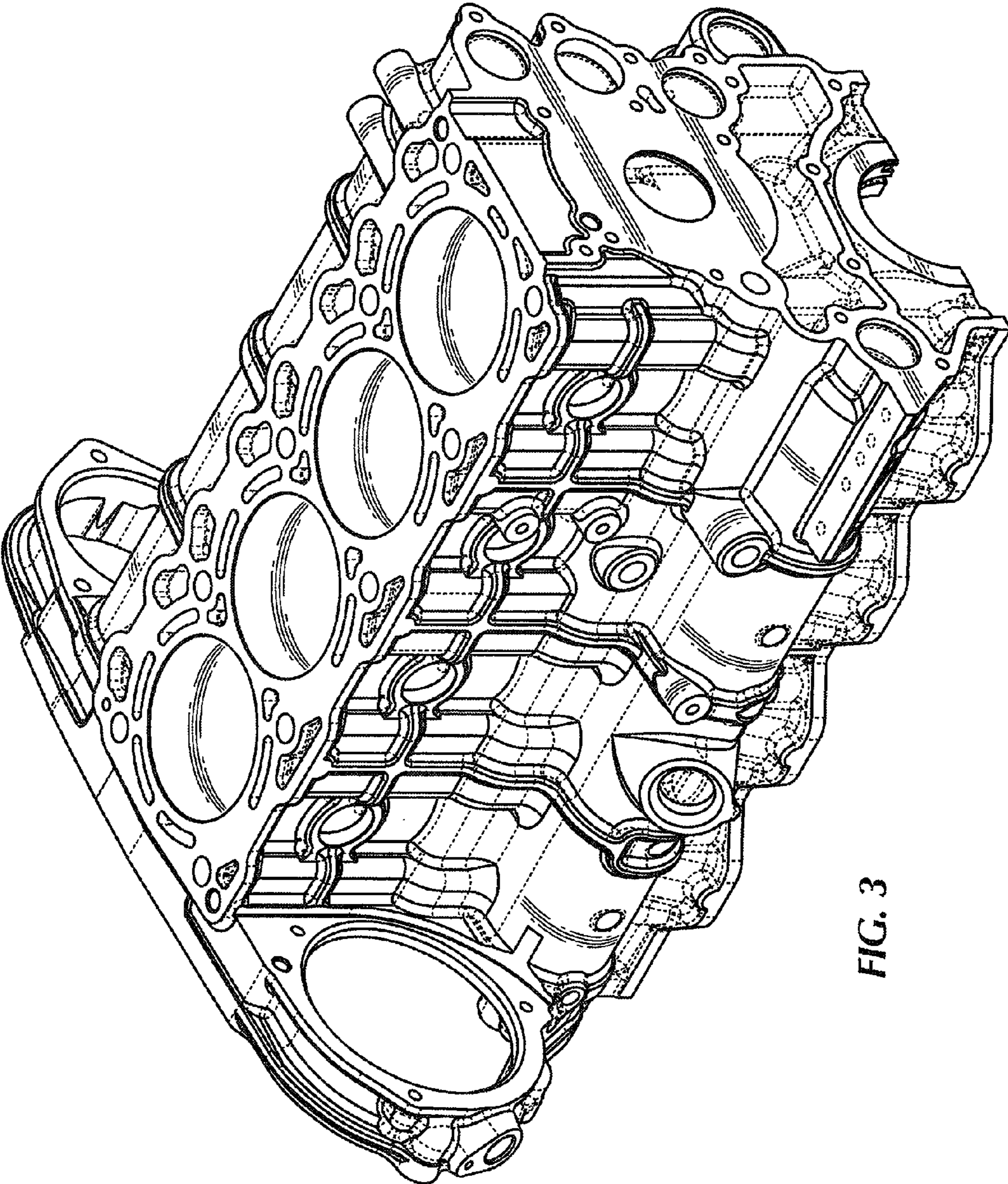


FIG. 3

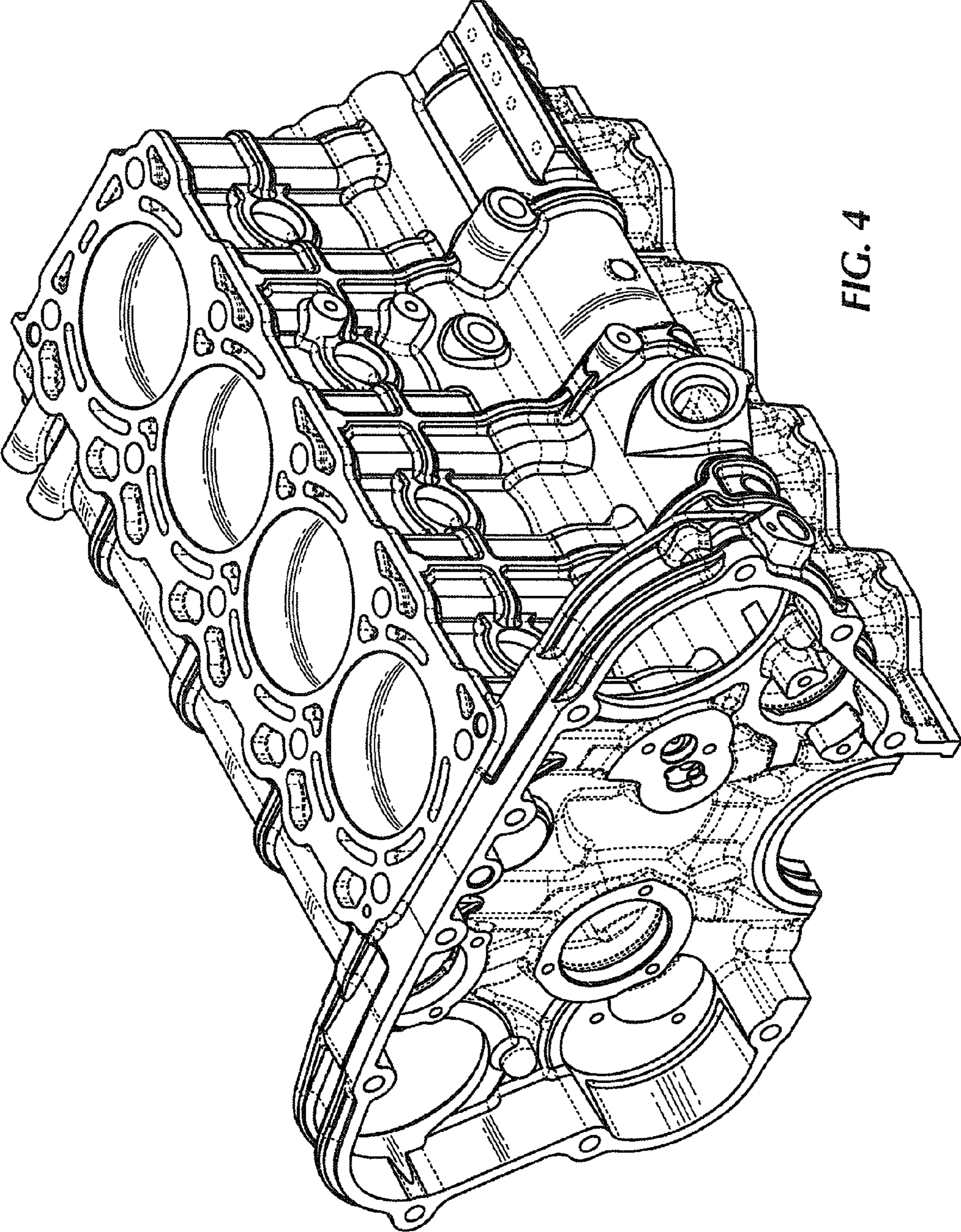


FIG. 4

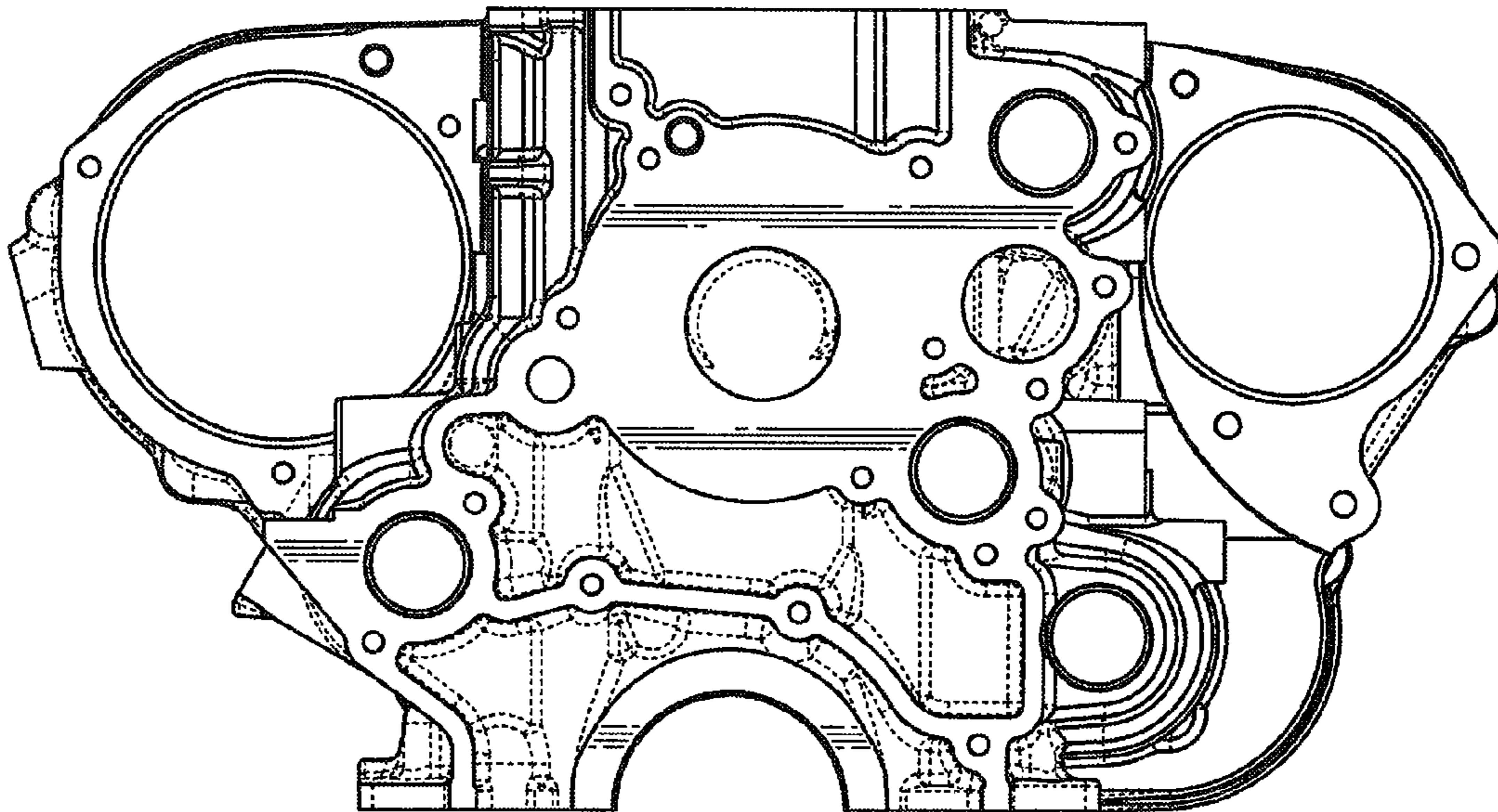


FIG. 5

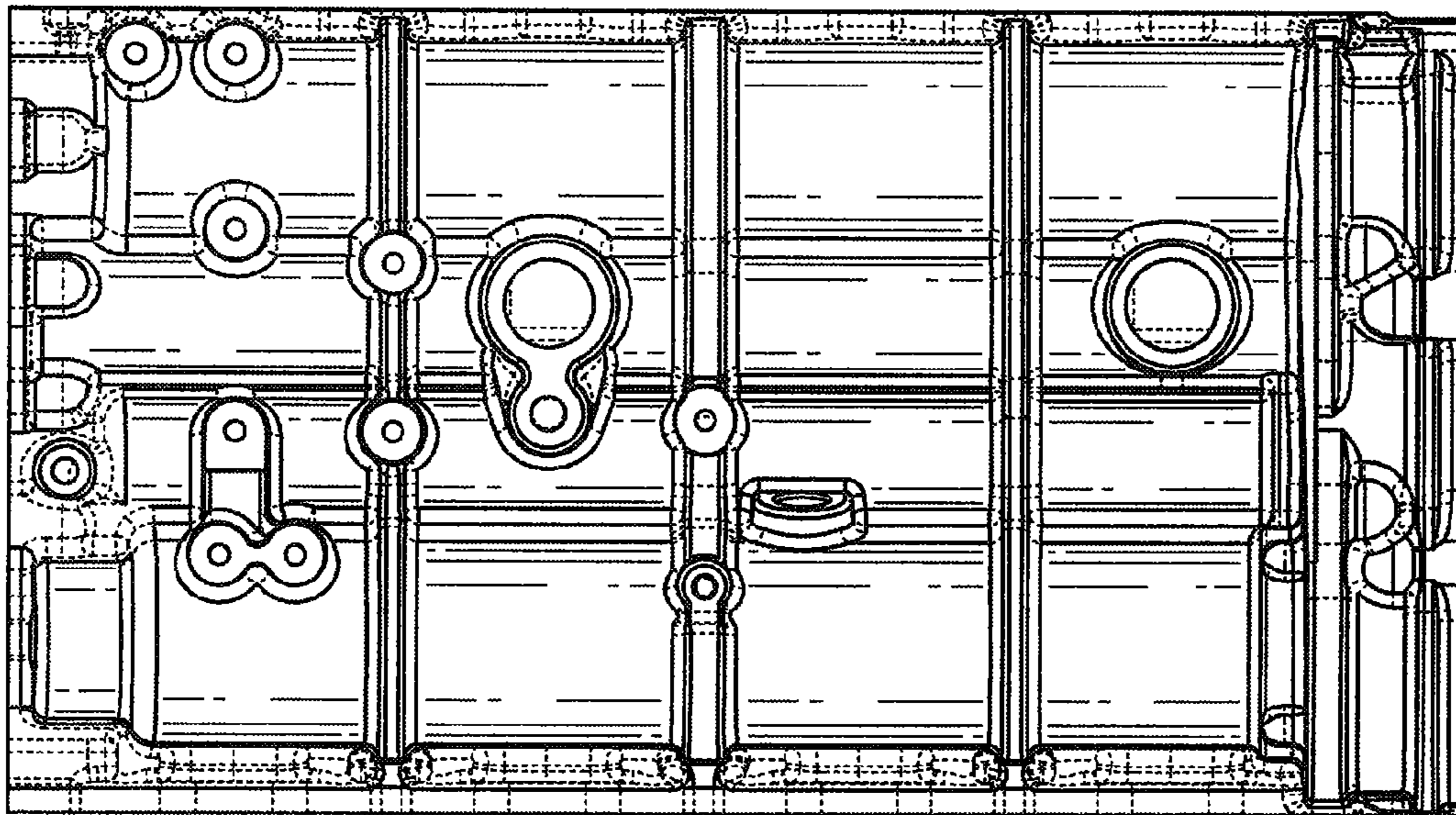


FIG. 6

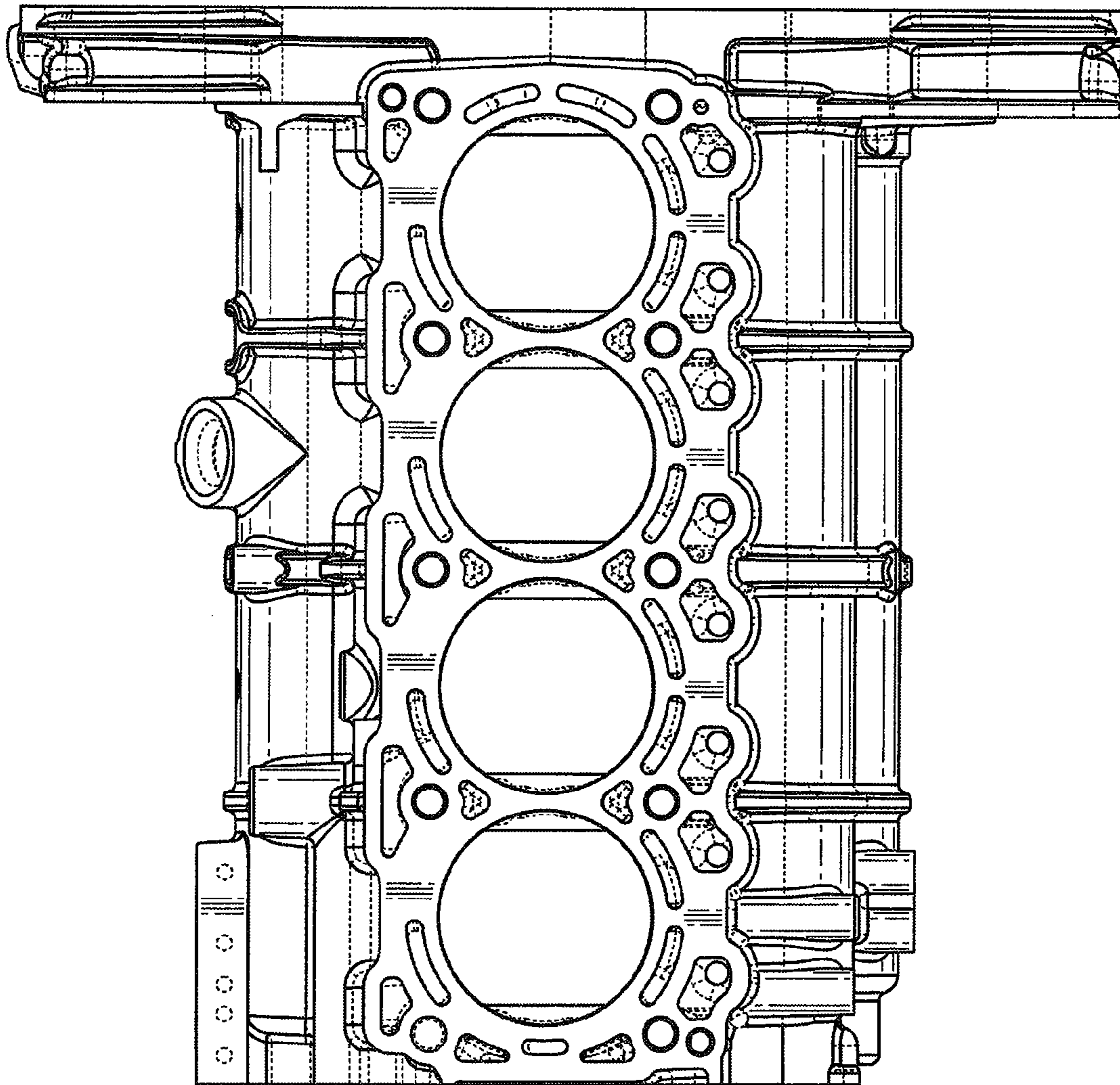


FIG. 7

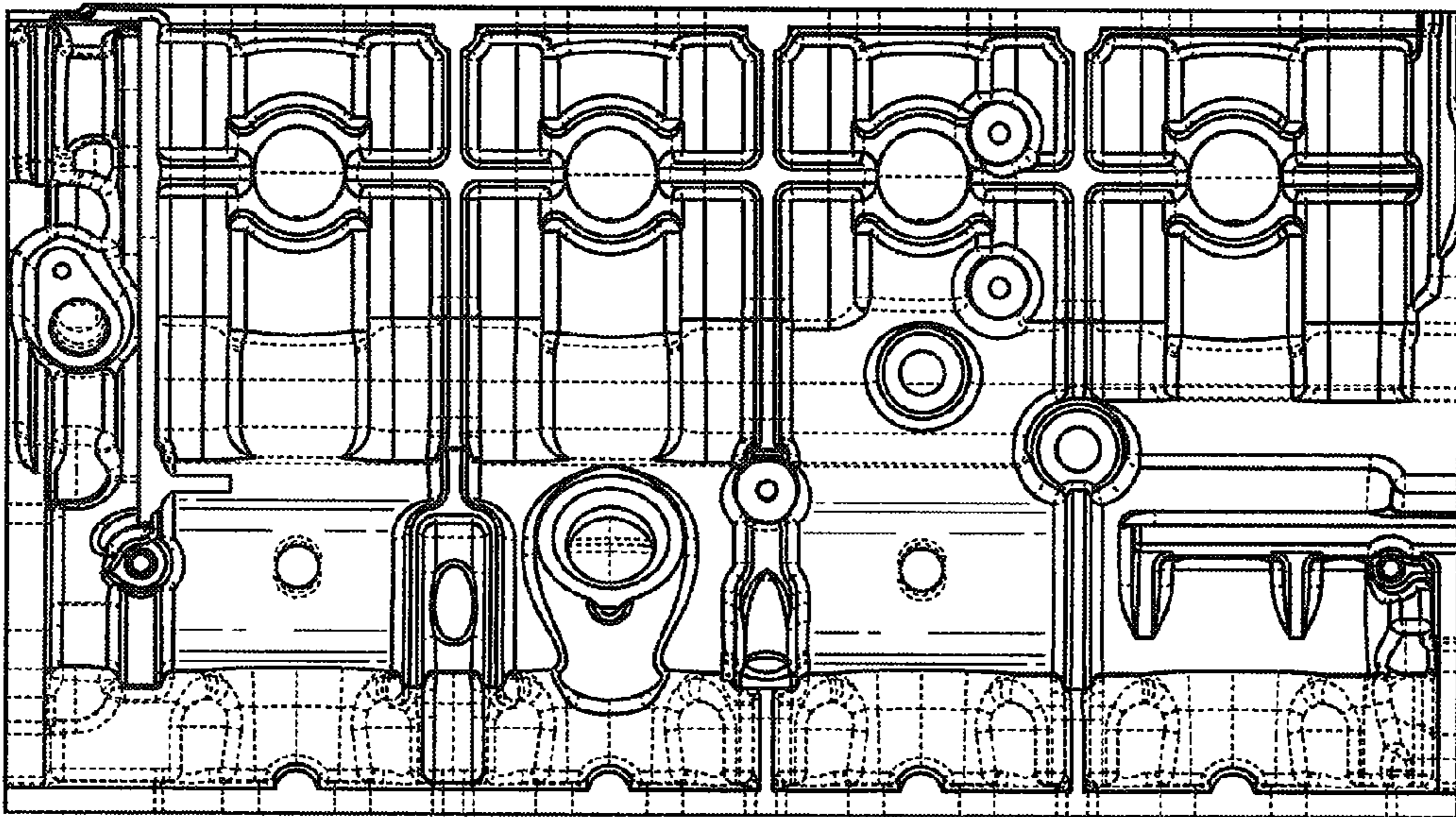


FIG. 8

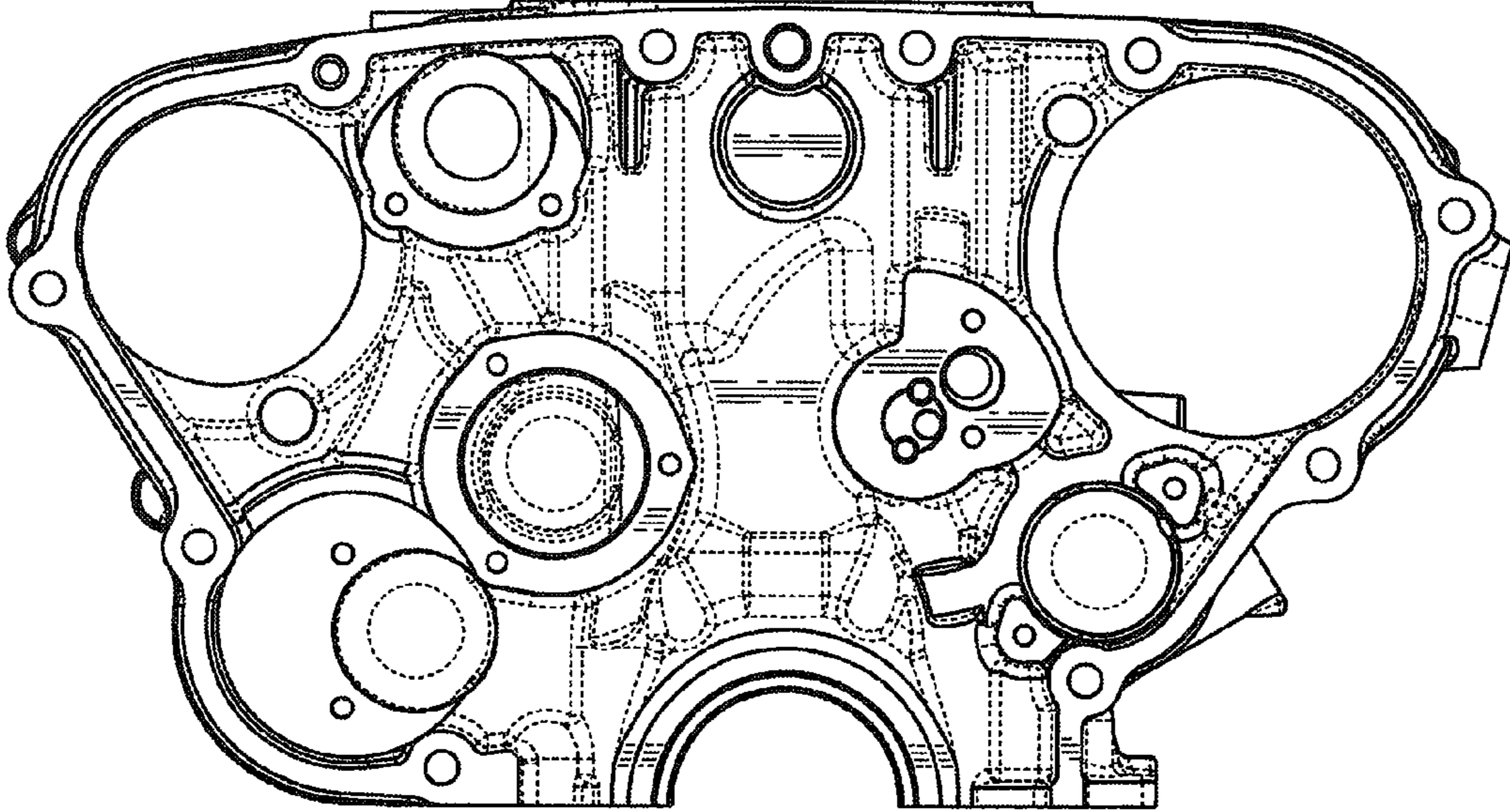


FIG. 9

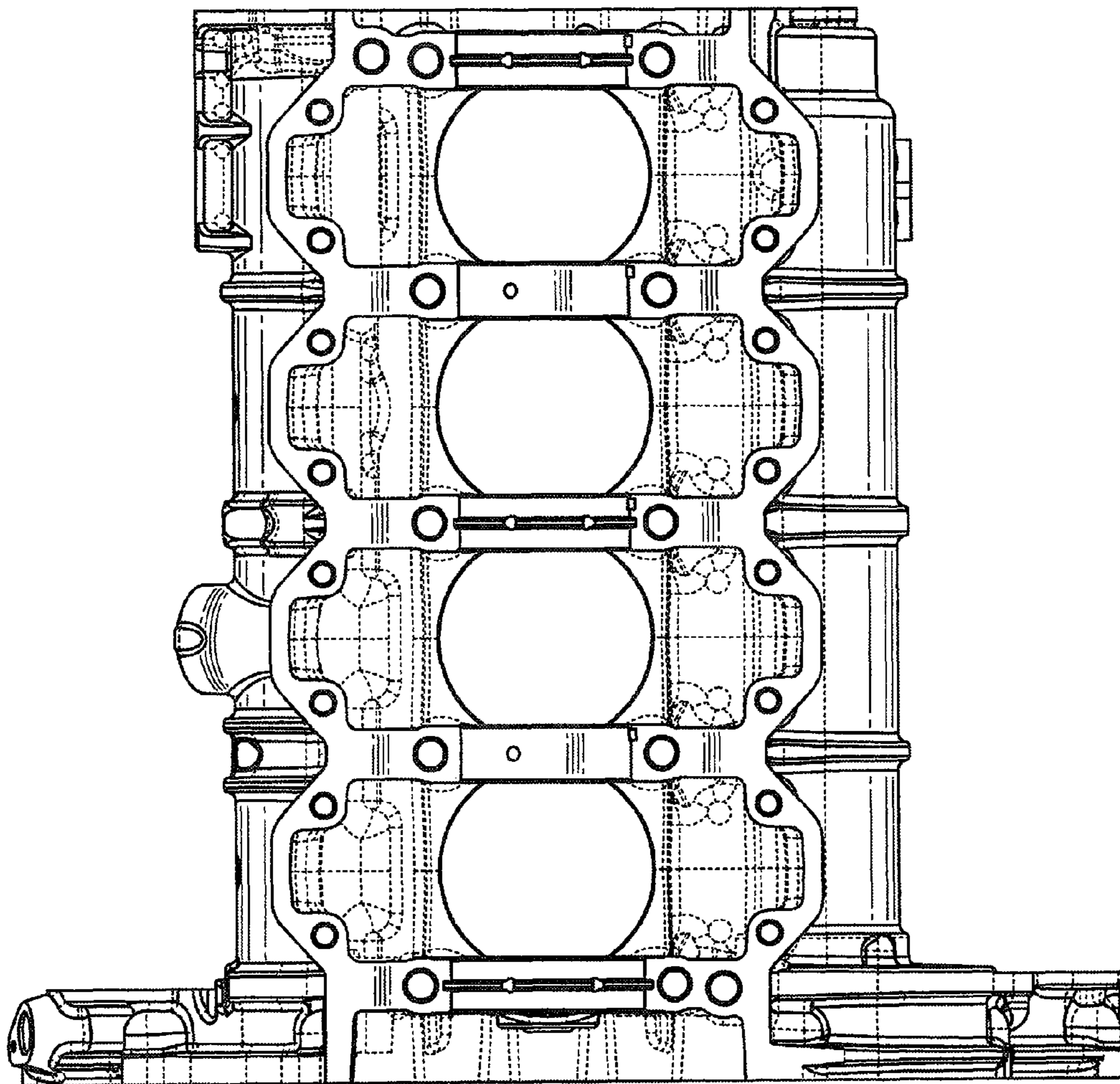


FIG. 10