



US00D649971S

(12) **United States Design Patent**  
**Lyford et al.**

(10) **Patent No.:** **US D649,971 S**

(45) **Date of Patent:** **\*\* \*Dec. 6, 2011**

- (54) **ADAPTER USED WITH AN ACCESSORY-HOST INTERFACE**
- (75) Inventors: **J. Steven Lyford**, Portland, OR (US);  
**Robert R. Kreitzer**, Tigard, OR (US)
- (73) Assignee: **Tektronix, Inc.**, Beaverton, OR (US)
- (\*) Notice: This patent is subject to a terminal disclaimer.
- (\*\*) Term: **14 Years**
- (21) Appl. No.: **29/383,024**
- (22) Filed: **Jan. 11, 2011**
- (51) **LOC (9) Cl.** ..... **14-02**
- (52) **U.S. Cl.** ..... **D14/433; D13/133; D13/147**
- (58) **Field of Classification Search** ..... D14/356–358, D14/383–385, 420, 426, 427, 432–439, 447, D14/453, 454, 217, 253, 299; D13/107, D13/108, 133, 146, 147, 152, 154, 156, 158, D13/162, 162.1, 168, 173, 177; 385/53, 385/55; 439/680, 578, 638; D10/80  
See application file for complete search history.

D563,885	S	*	3/2008	Dever	.....	D13/147
D563,886	S	*	3/2008	Dever	.....	D13/147
D563,887	S	*	3/2008	Dever	.....	D13/147
D563,888	S	*	3/2008	Dever	.....	D13/147
D565,443	S	*	4/2008	Frake et al.	.....	D10/78
D566,046	S		4/2008	Gabel et al.		
D566,047	S		4/2008	Gabel et al.		
D568,821	S	*	5/2008	Ashida et al.	.....	D13/147
D574,772	S	*	8/2008	Sutter	.....	D13/133
D585,024	S	*	1/2009	Kudo	.....	D13/133
D585,025	S	*	1/2009	Kudo	.....	D13/133
D587,201	S	*	2/2009	Allwood et al.	.....	D13/133
D589,044	S	*	3/2009	Yoshida et al.	.....	D14/358
D596,126	S	*	7/2009	Norin et al.	.....	D13/133
D603,341	S	*	11/2009	Kawakami et al.	.....	D13/158
D627,731	S	*	11/2010	Huang et al.	.....	D13/146
RE42,303	E	*	4/2011	Norin et al.	.....	D13/133

\* cited by examiner

*Primary Examiner* — Cathron Brooks  
*Assistant Examiner* — Deanna Fluegeman  
(74) *Attorney, Agent, or Firm* — William K. Bucher

(57) **CLAIM**  
The ornamental design for an adapter used with an accessory-host interface, as shown and described.

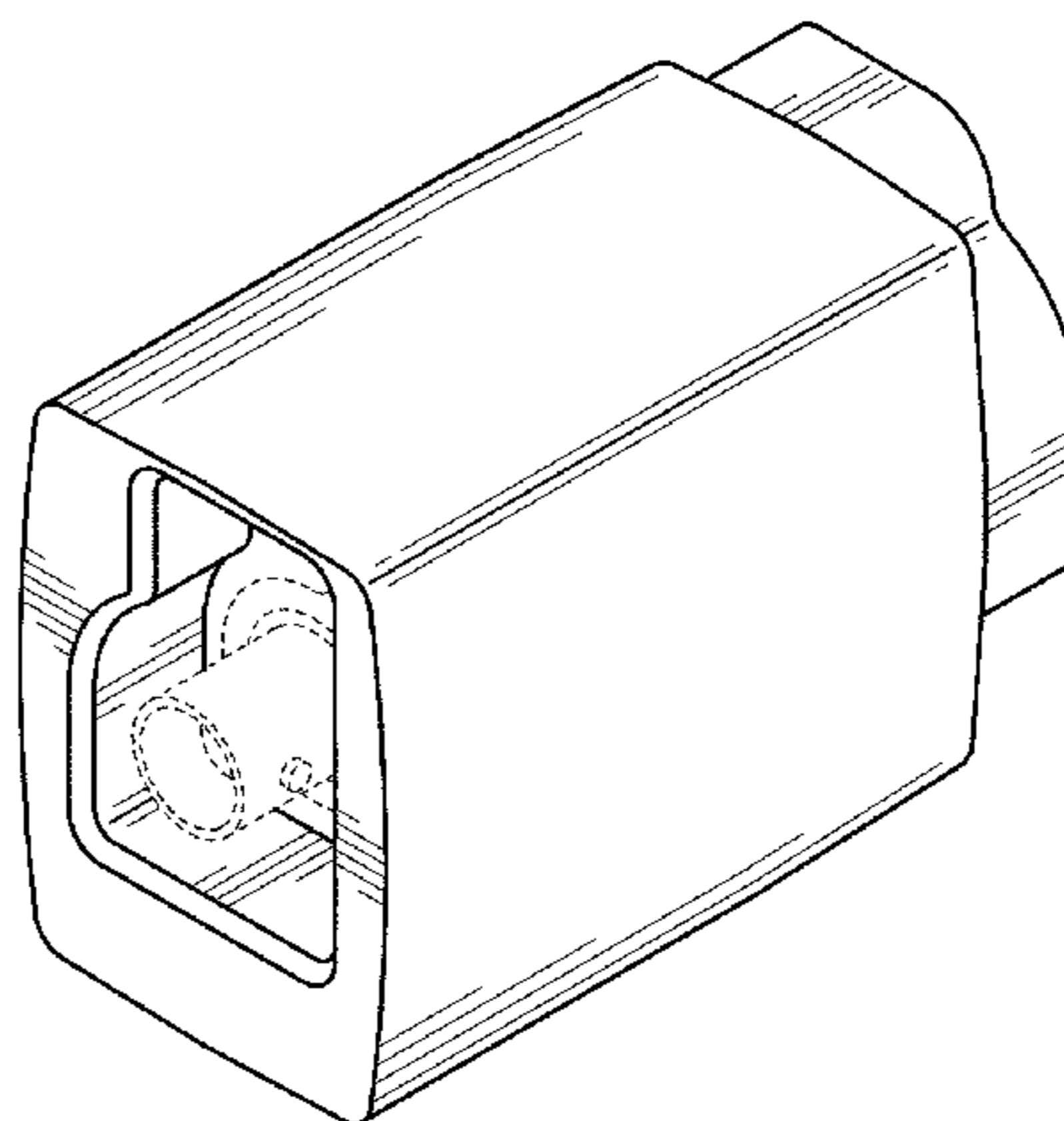
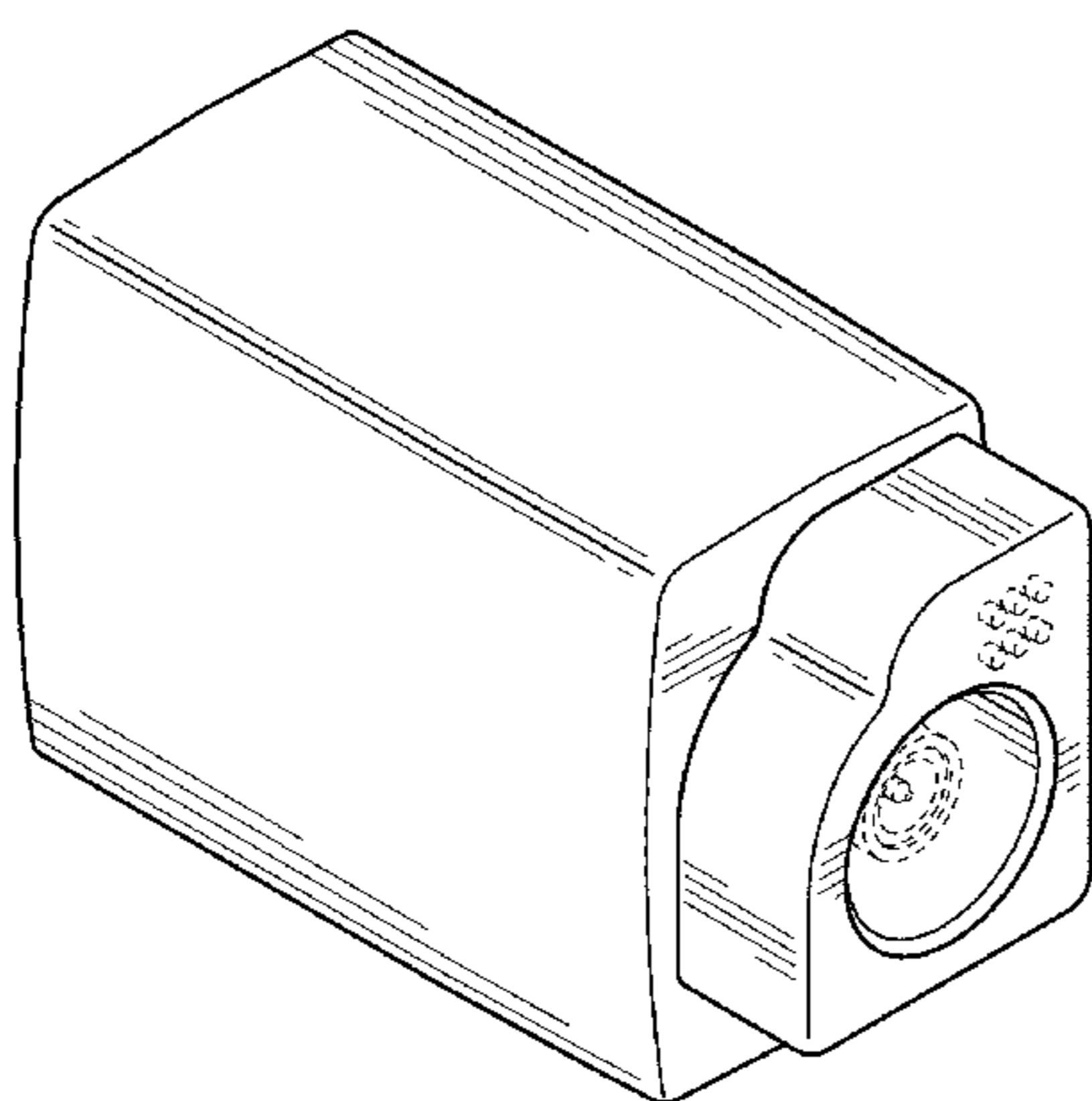
(56) **References Cited**

**U.S. PATENT DOCUMENTS**

D141,099	S	*	5/1945	Baumgardner	.....	D13/173
D141,100	S	*	5/1945	Baumgardner	.....	D13/173
D141,101	S	*	5/1945	Baumgardner	.....	D13/173
D374,663	S	*	10/1996	Rodrigues et al.	.....	D14/433
D384,035	S	*	9/1997	Kuprewicz et al.	.....	D13/133
D389,121	S	*	1/1998	Kuprewicz et al.	.....	D13/133
6,069,992	A	*	5/2000	Hyzin	.....	385/55
D433,666	S	*	11/2000	Yang	.....	D13/147
D454,113	S	*	3/2002	Ikeda et al.	.....	D13/133
D454,333	S	*	3/2002	Ikeda et al.	.....	D13/133
6,379,183	B1	*	4/2002	Ayres et al.	.....	439/578
6,702,617	B1	*	3/2004	Clement et al.	.....	439/607.08
D561,698	S	*	2/2008	Cuff et al.	.....	D13/147
D563,881	S	*	3/2008	Howerton et al.	.....	D13/147
D563,882	S	*	3/2008	Howerton et al.	.....	D13/147
D563,883	S	*	3/2008	Dever	.....	D13/147
D563,884	S	*	3/2008	Dever	.....	D13/147

**DESCRIPTION**

FIG. 1 is a front perspective view of a first embodiment showing the plug end of an adapter used with an accessory-host interface disposed in a host device;  
FIG. 2 is a reverse perspective view of a first embodiment showing the receptacle end of the adapter used with an accessory-host interface;  
FIG. 3 is a top plan view of a first embodiment of the adapter used with an accessory-host interface;  
FIG. 4 is a left side elevation view of a first embodiment of the adapter used with an accessory-host interface;  
FIG. 5 is a bottom plan view of a first embodiment of the adapter used with an accessory-host interface;  
FIG. 6 is a right side elevation view of a first embodiment of the adapter used with an accessory-host interface;











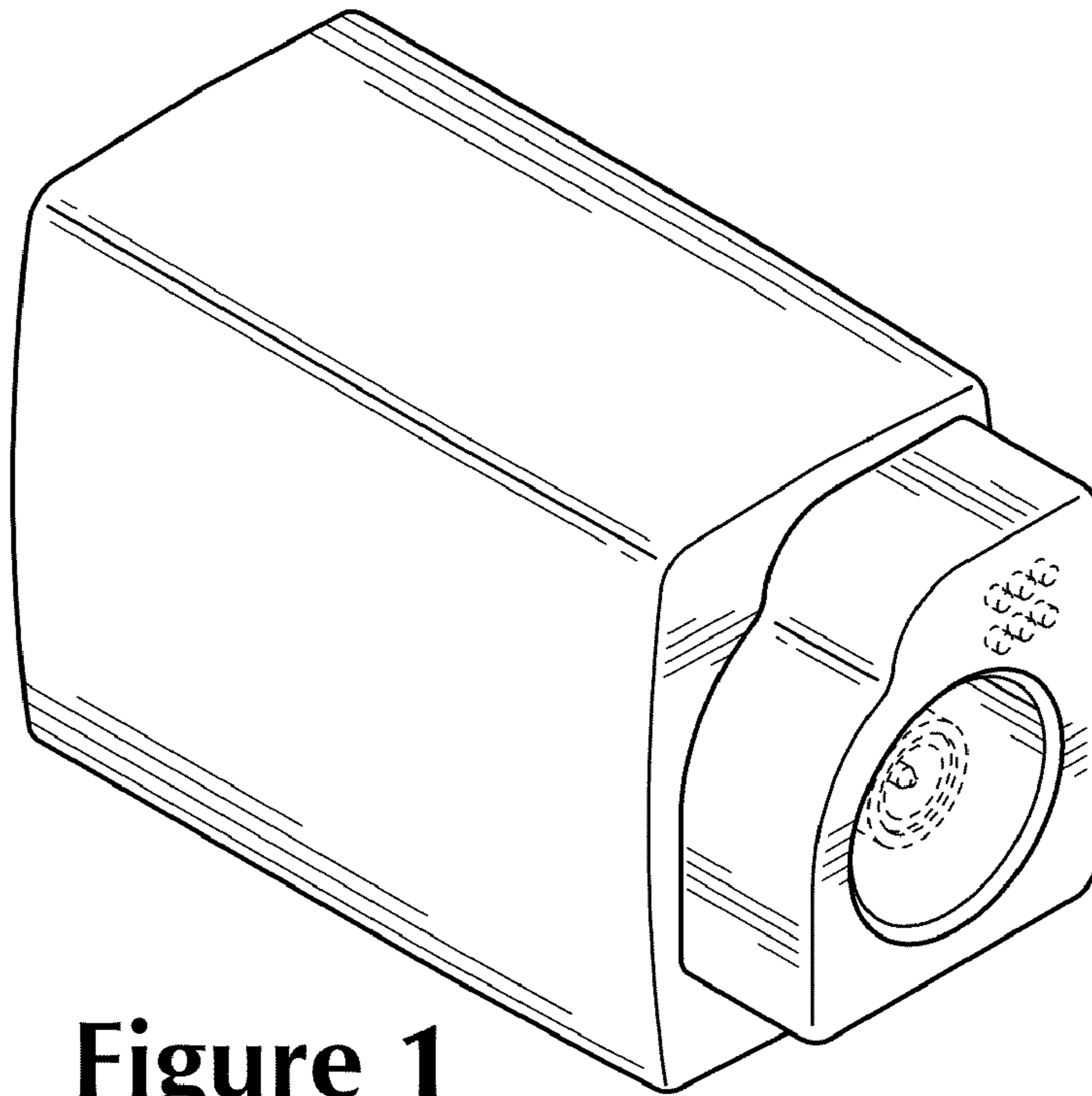
The broken lines in the drawings illustrate unclaimed portions of the adapter used with an accessory-host interface and form no part of the claimed invention.

The ornamental design disclosed in this application is for an adapter used with an accessory-host interface wherein one end of the adapter is received in a receptacle disposed in a host

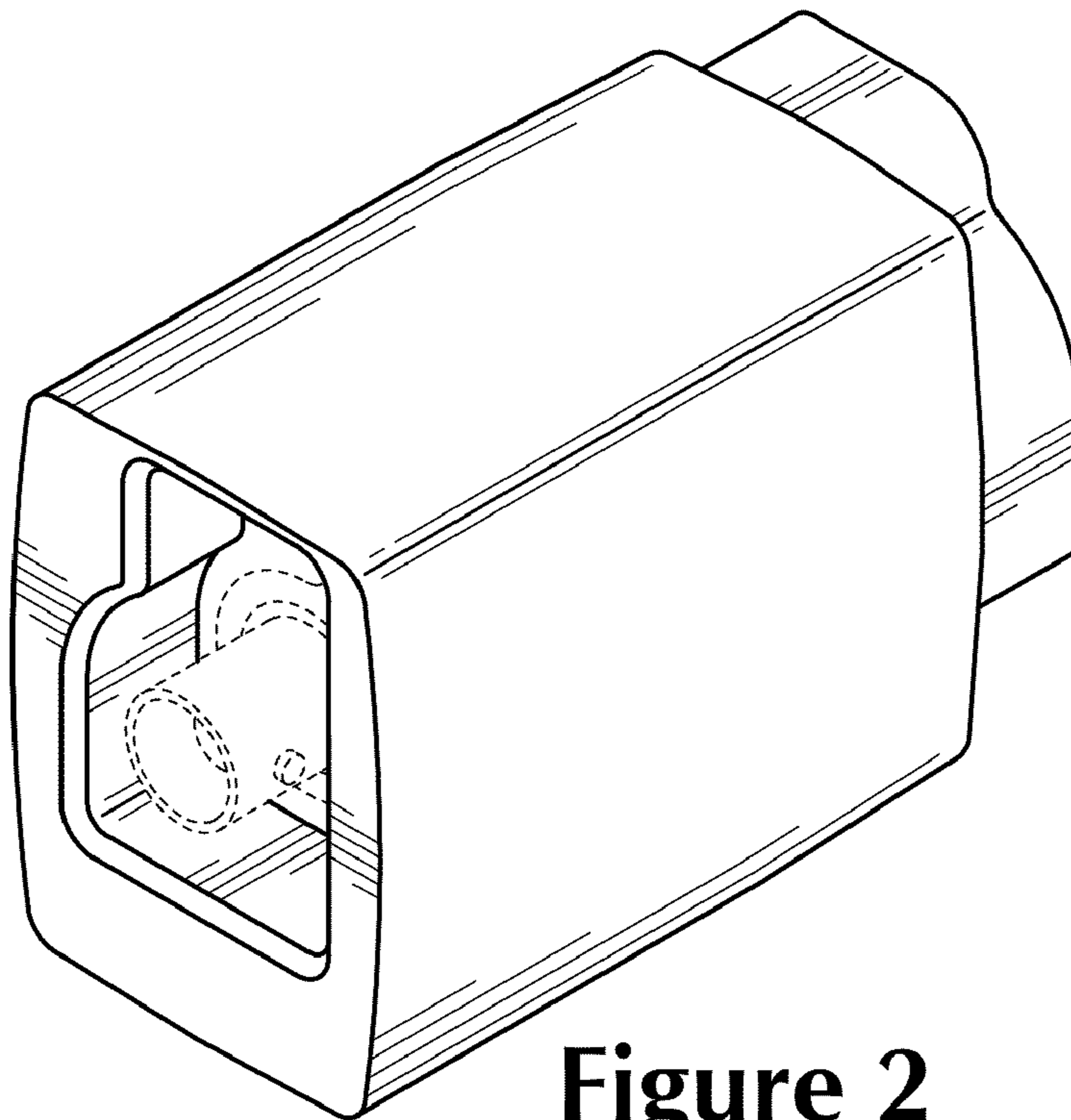
device, such as an oscilloscope, logic analyzer, spectrum analyzer, signal generator and the like, and the other end of the adapter receives an accessory device, such as a signal measurement probe, temperature probe and the like.

**1 Claim, 45 Drawing Sheets**

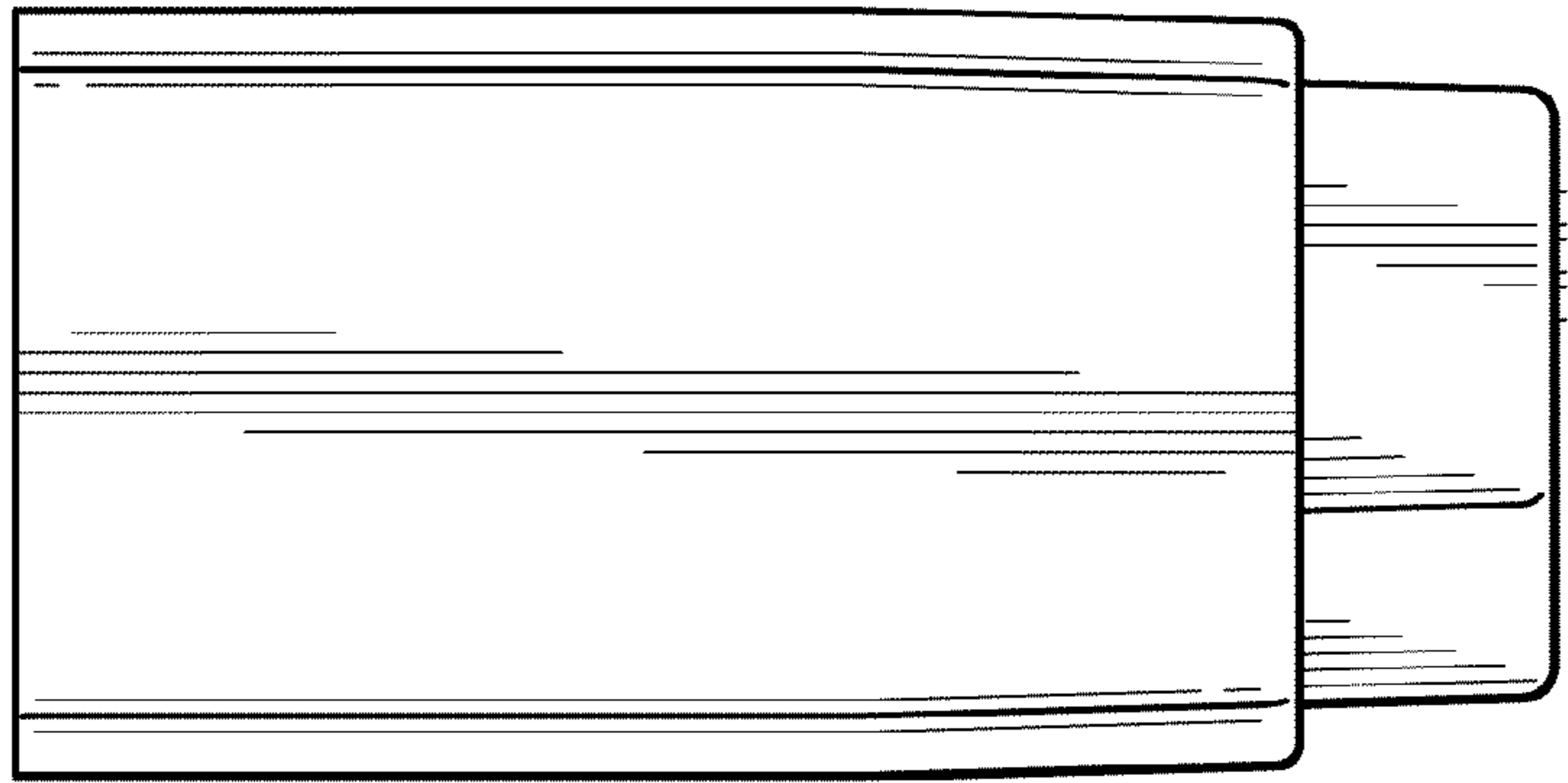




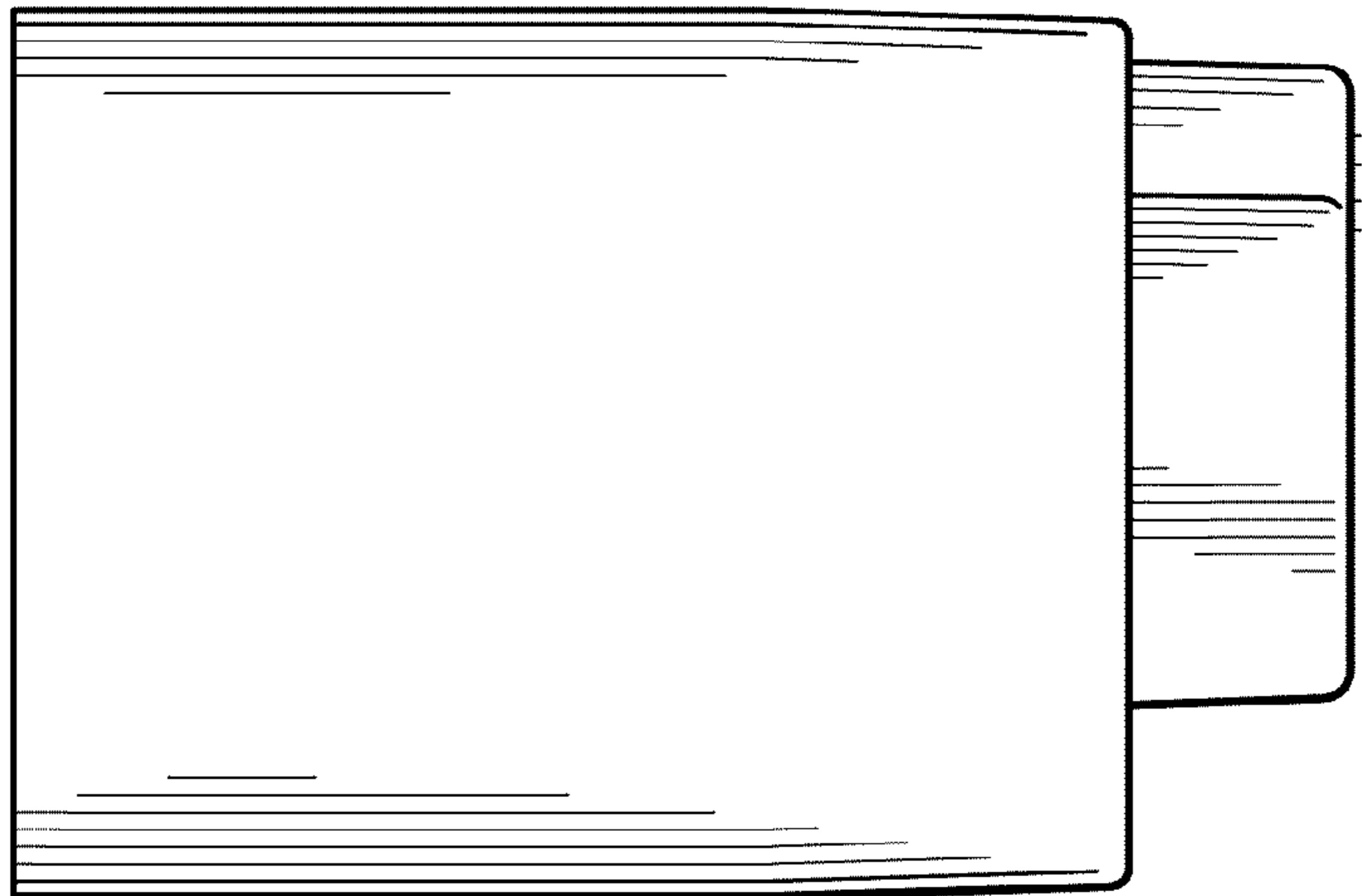
**Figure 1**



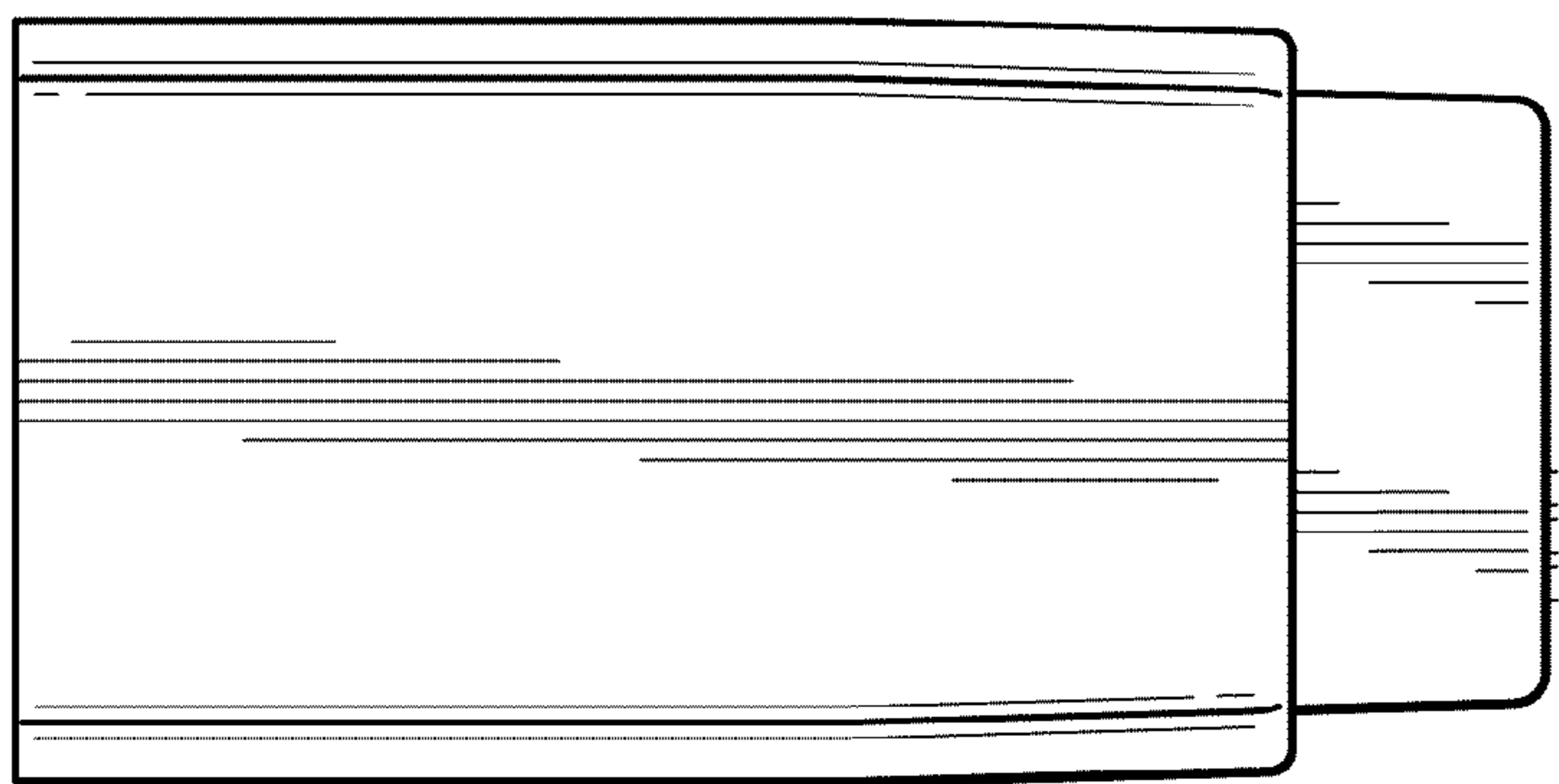
**Figure 2**



**Figure 3**



**Figure 4**



**Figure 5**

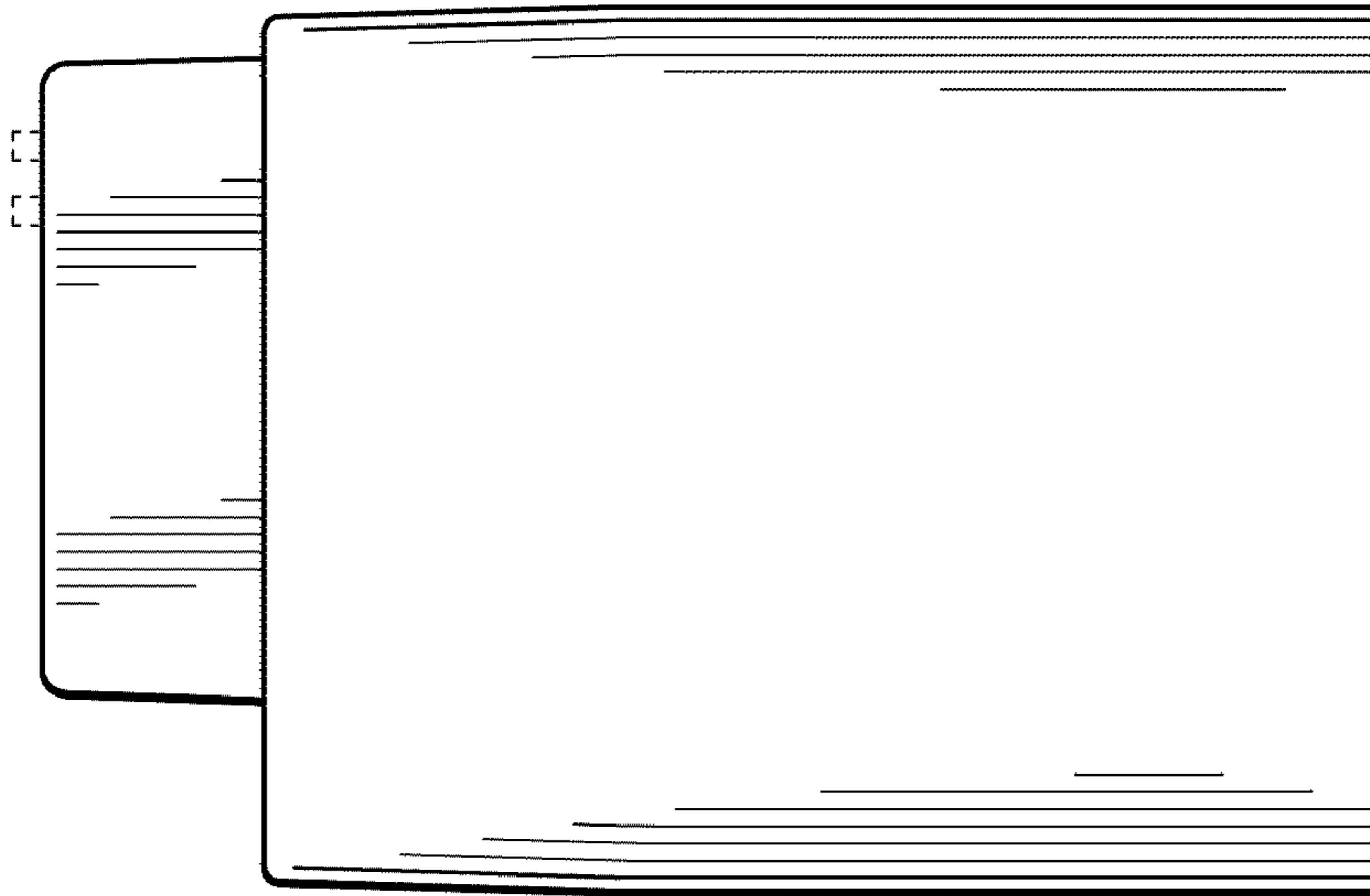


Figure 6

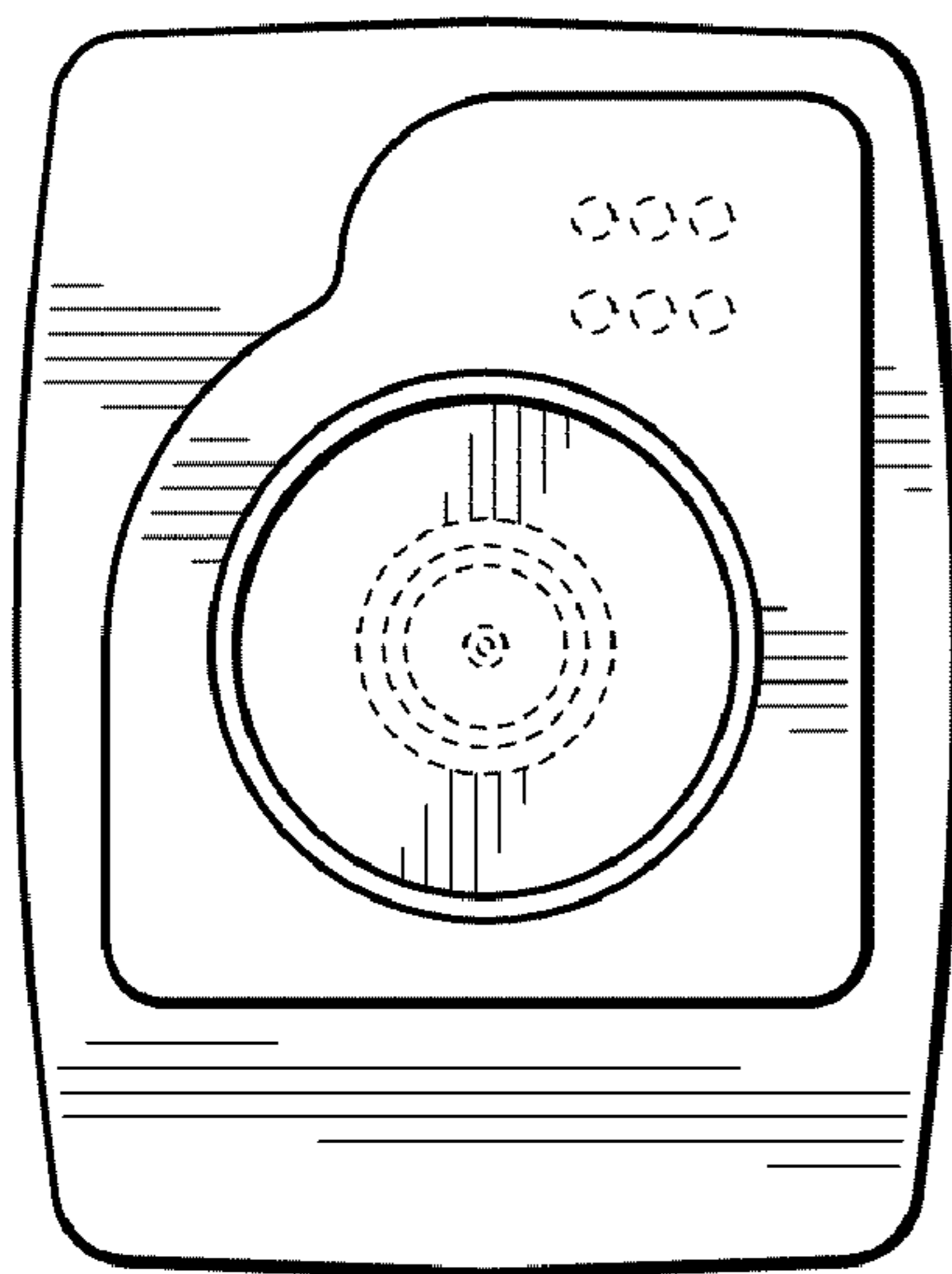


Figure 7

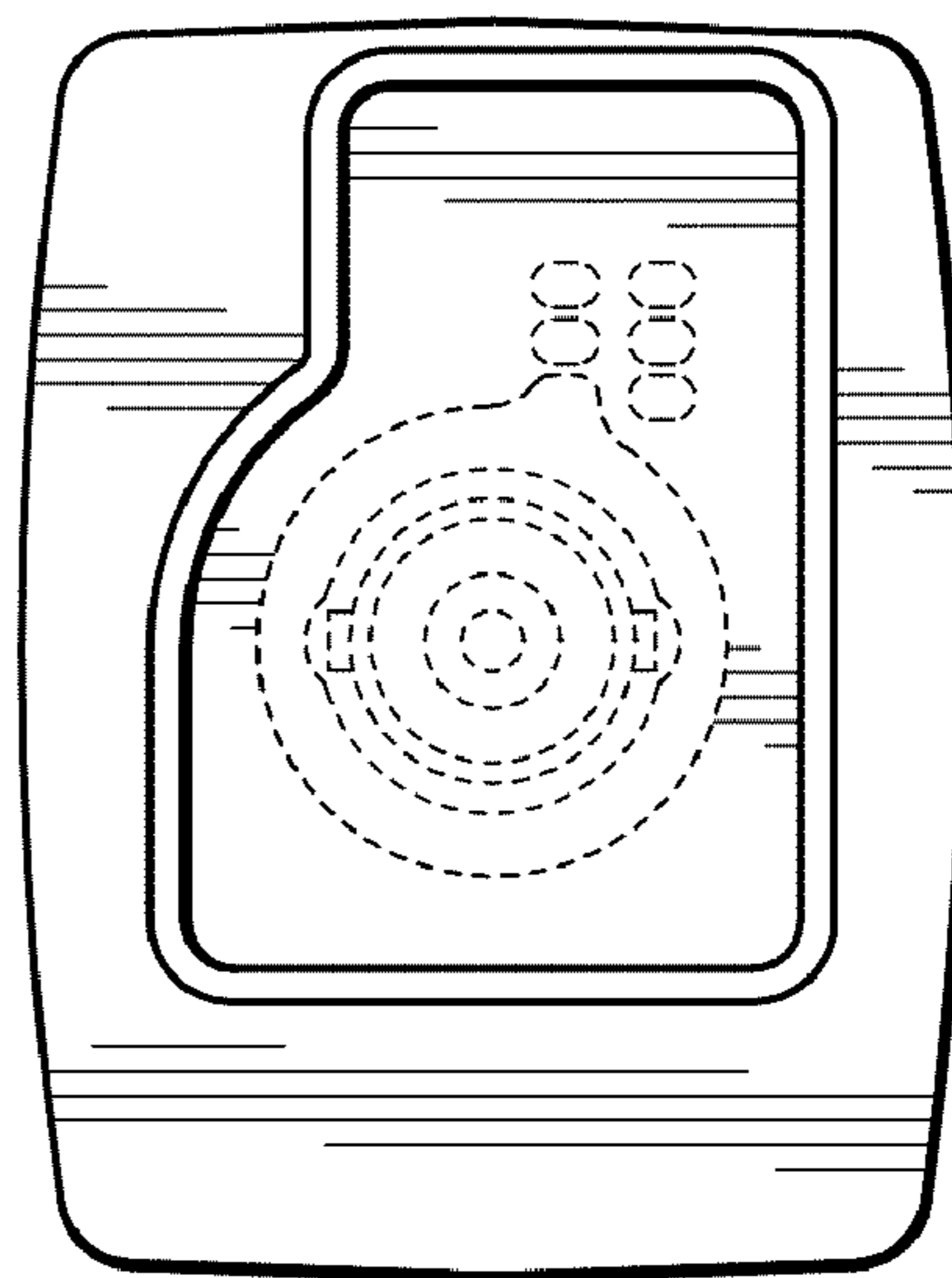
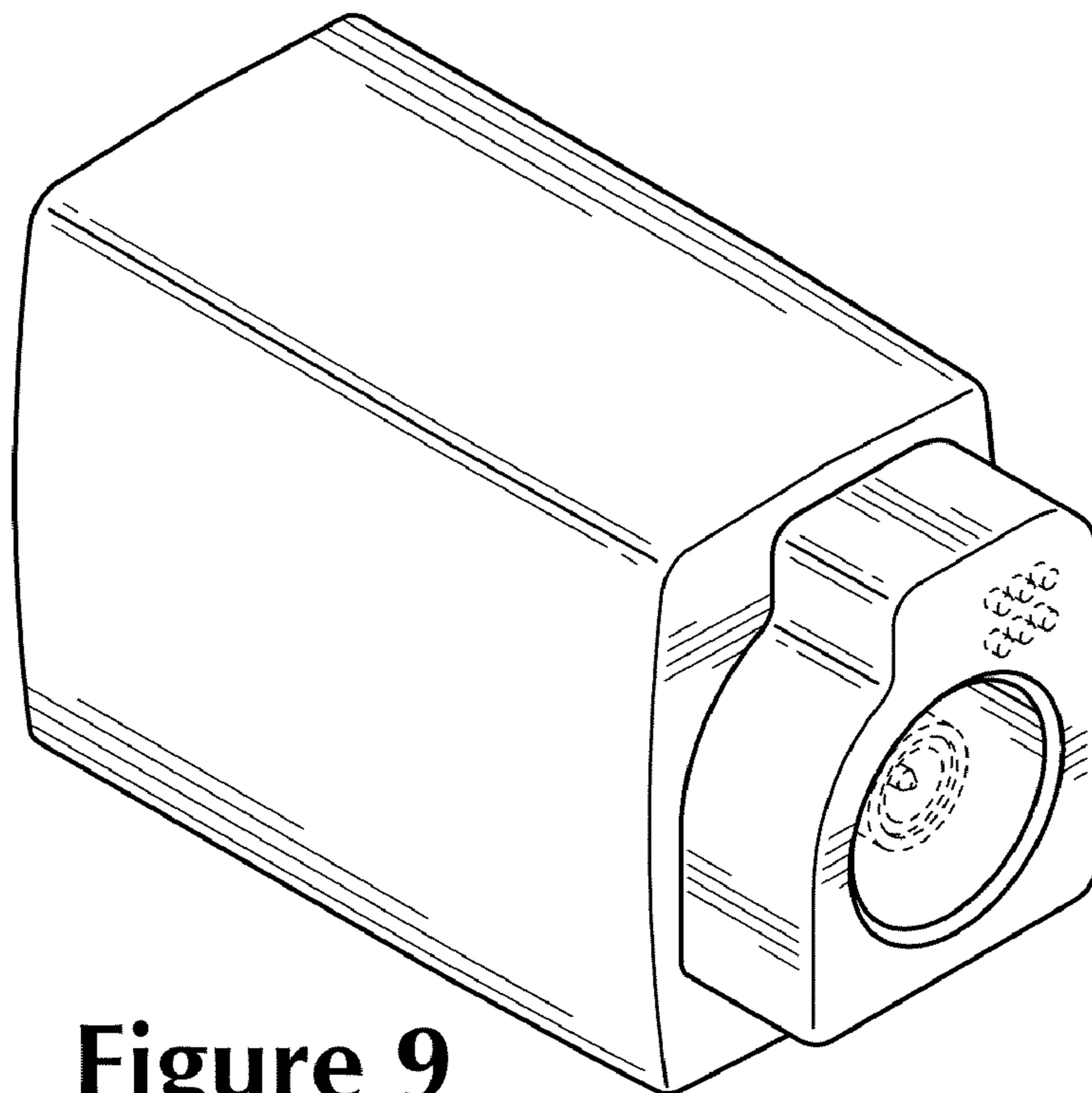
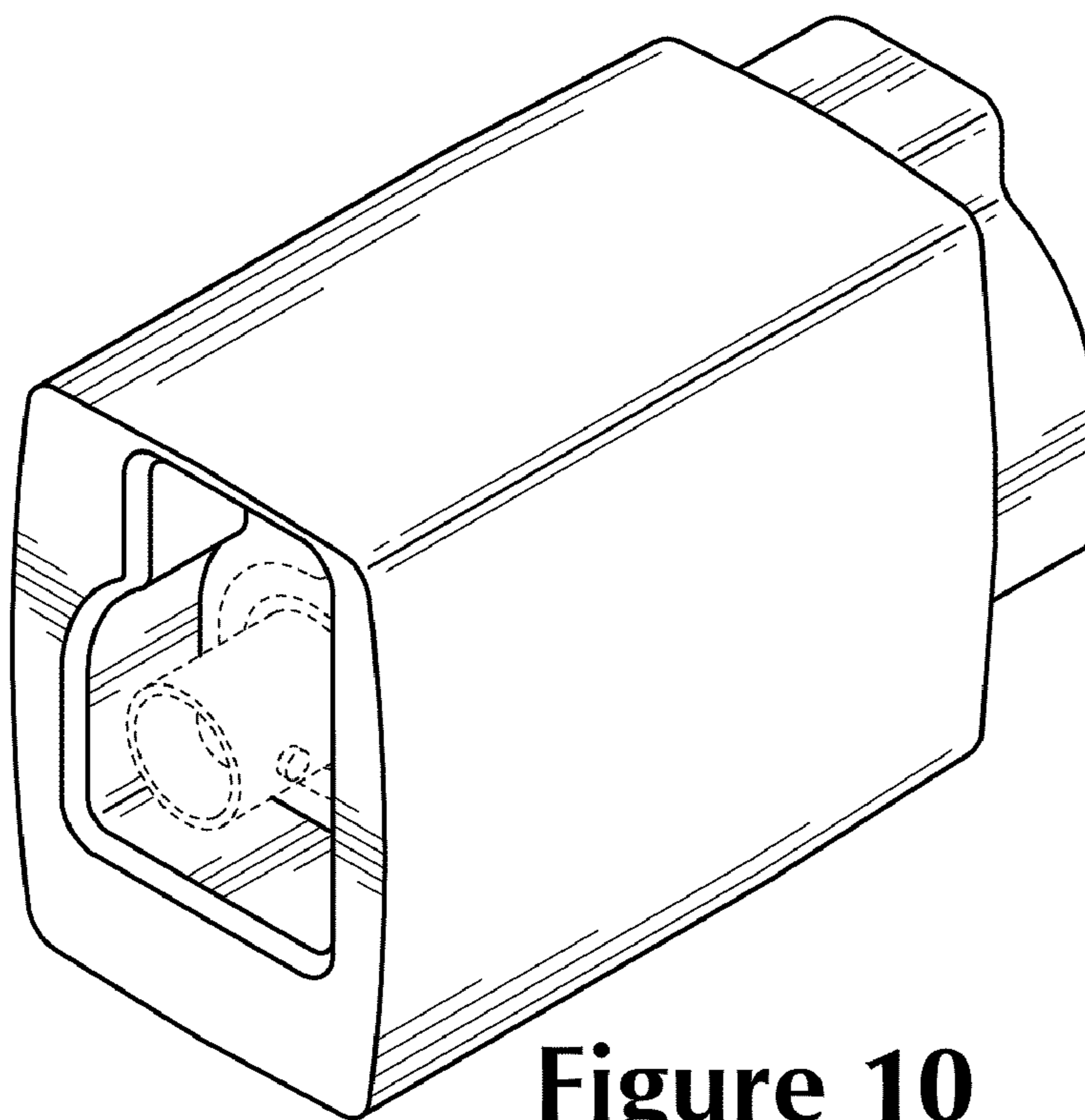


Figure 8

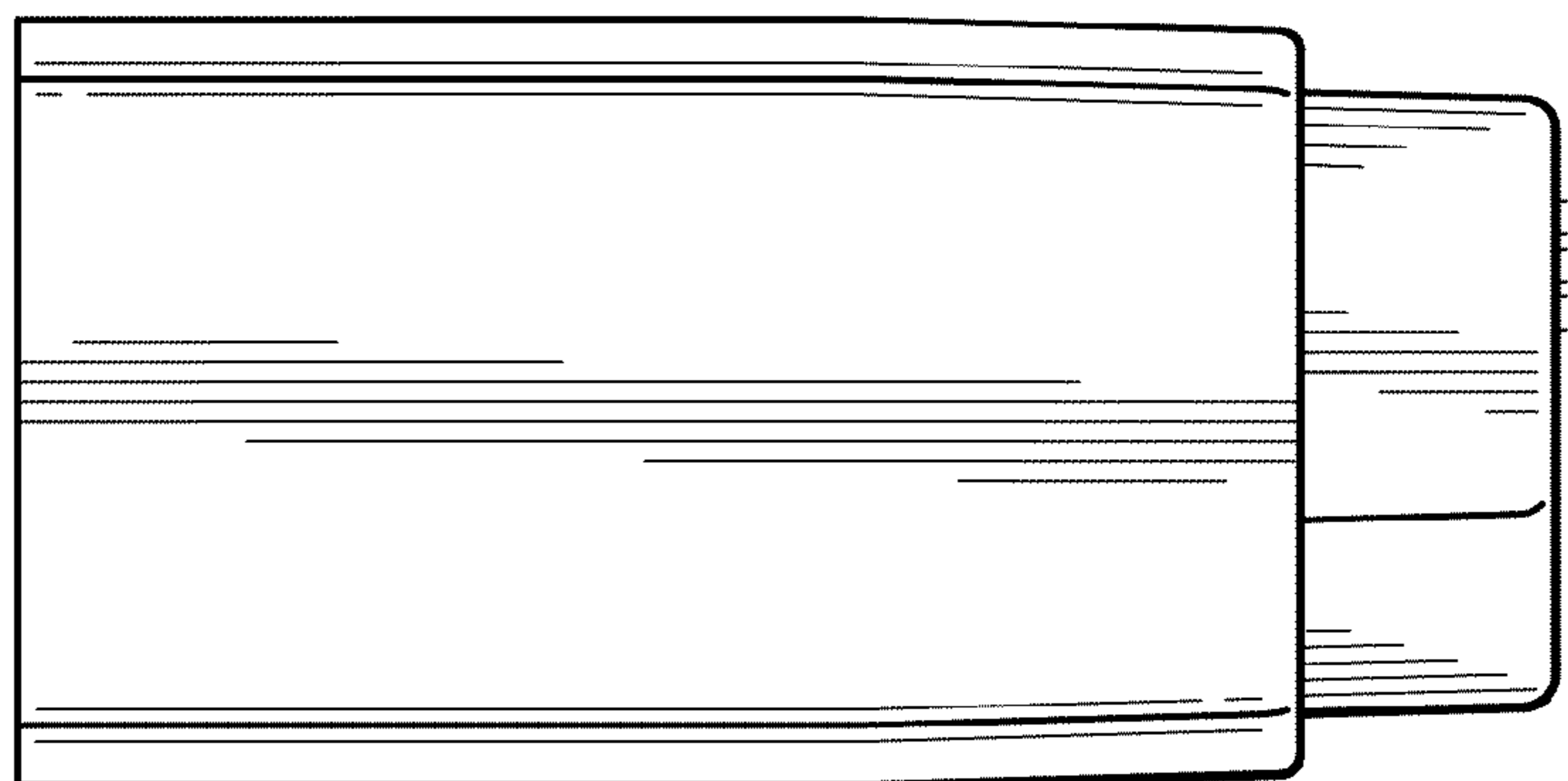


**Figure 9**

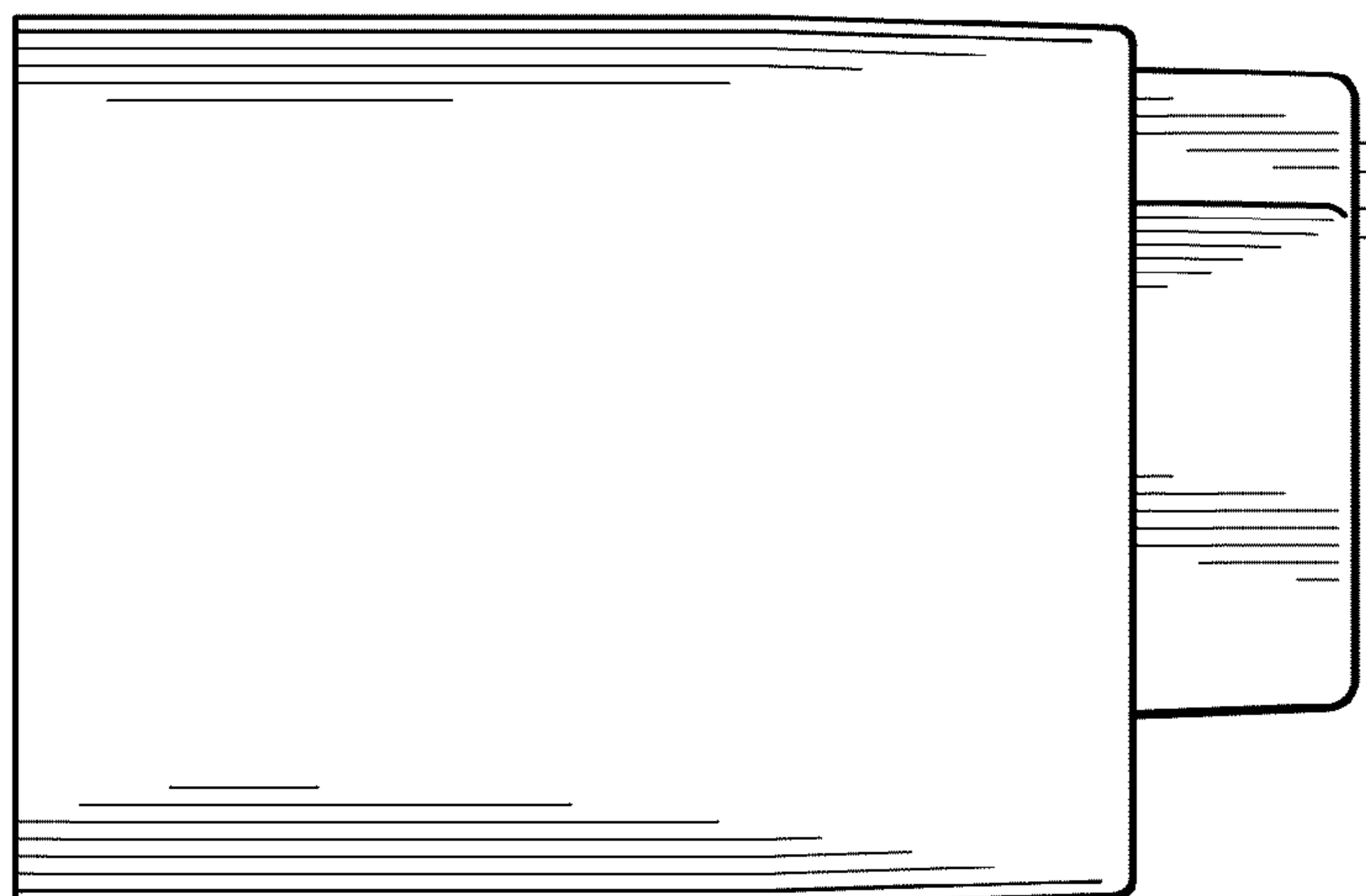


**Figure 10**

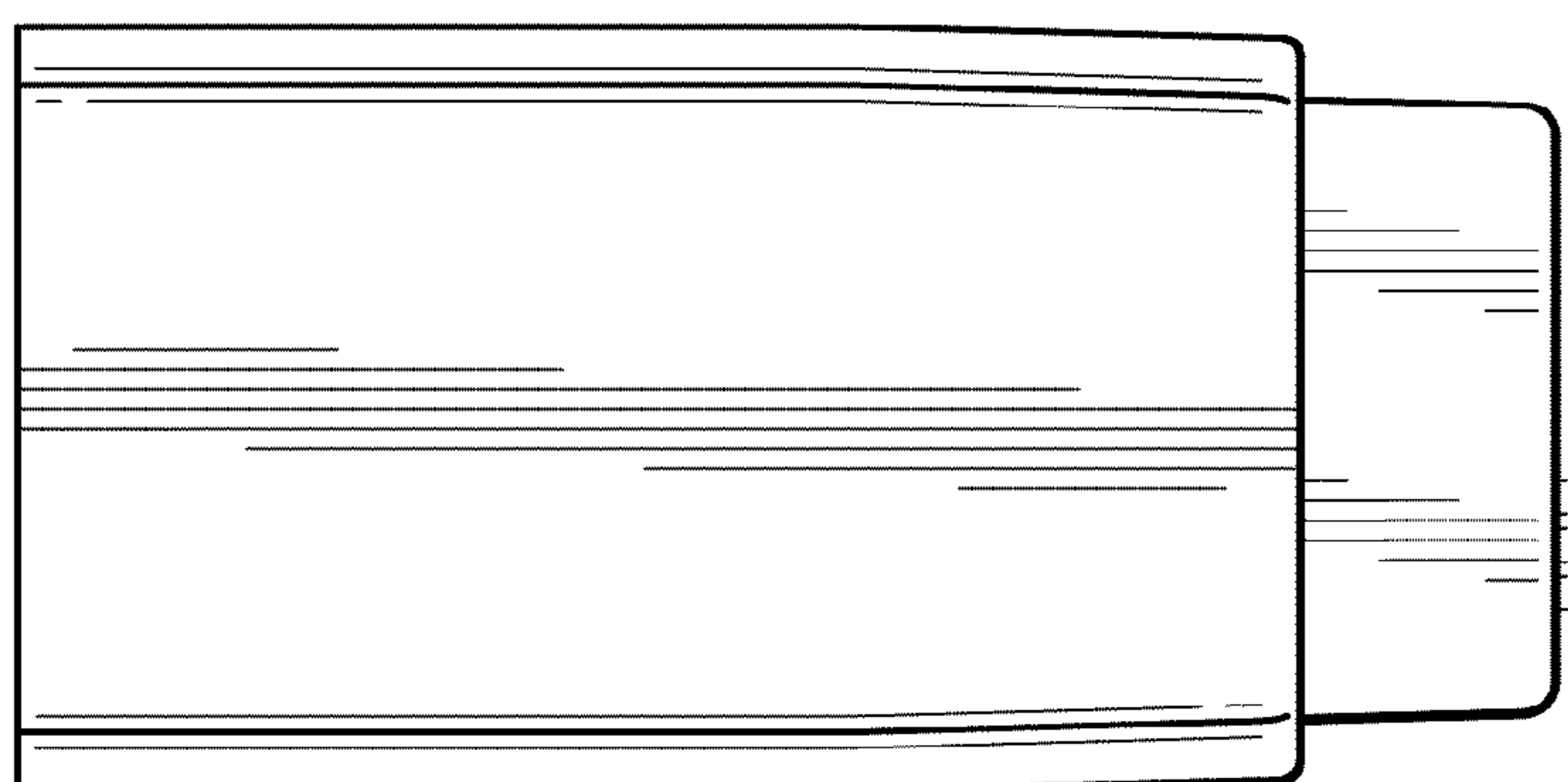




**Figure 11**



**Figure 12**



**Figure 13**

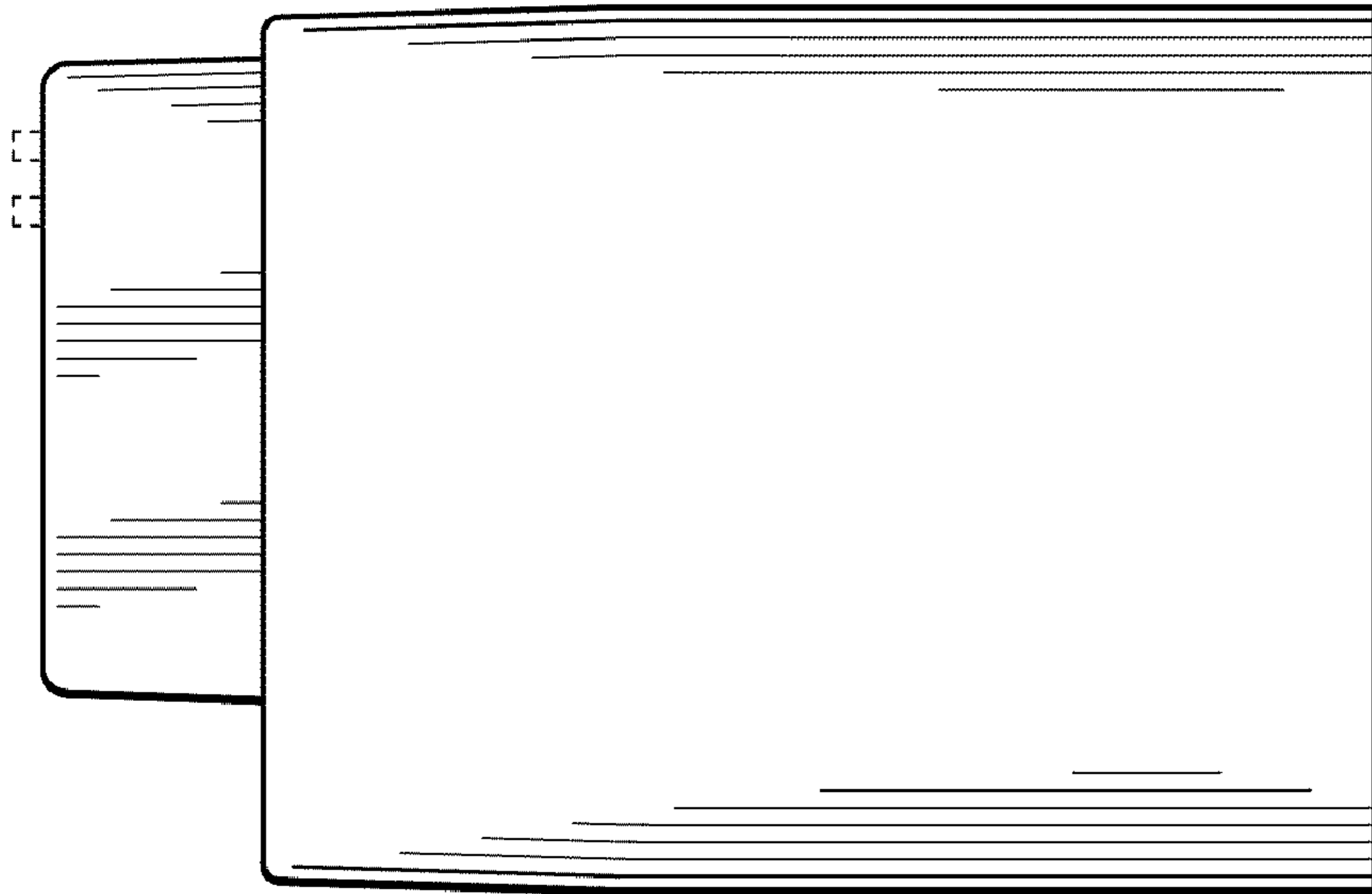


Figure 14

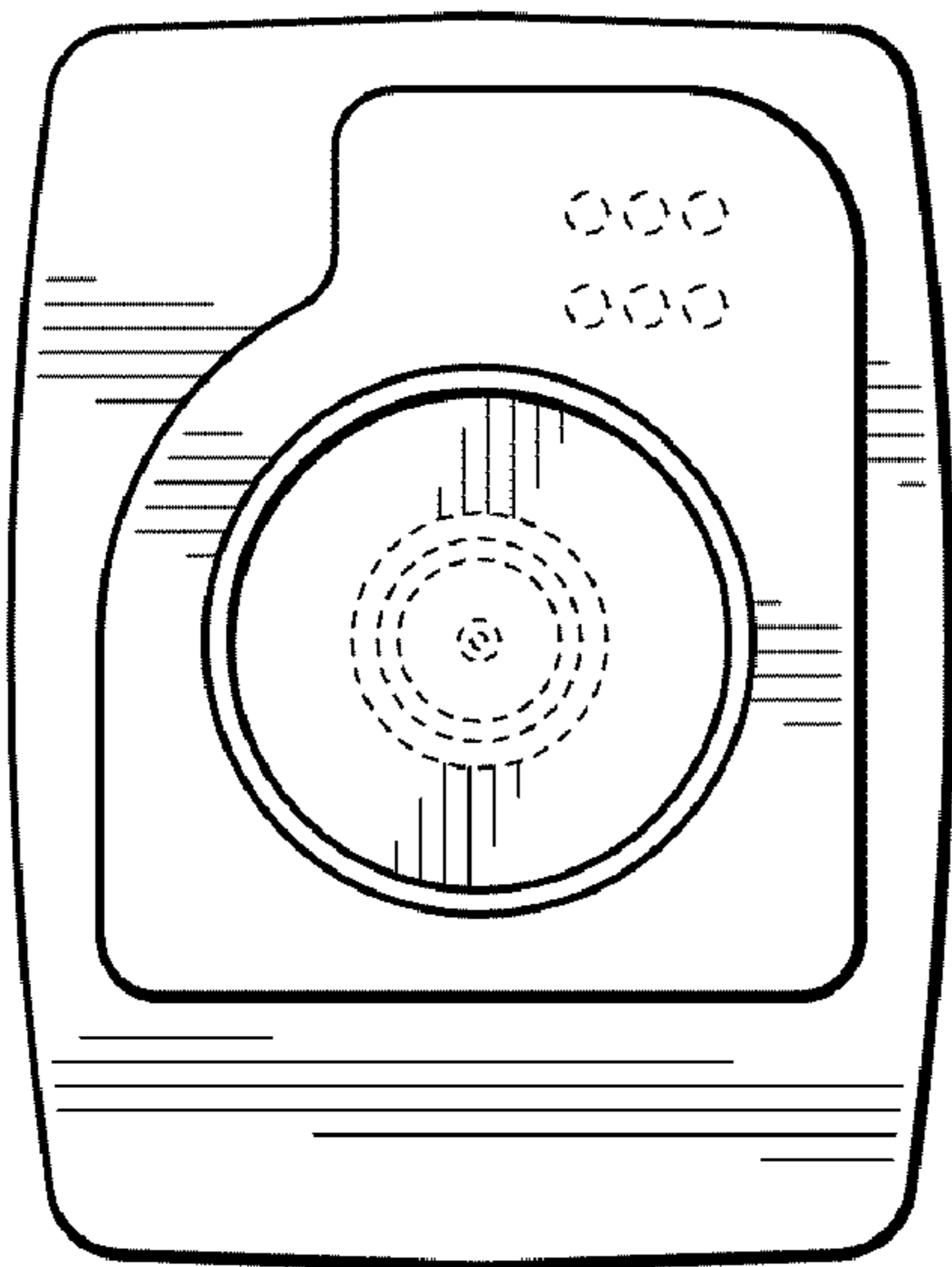


Figure 15

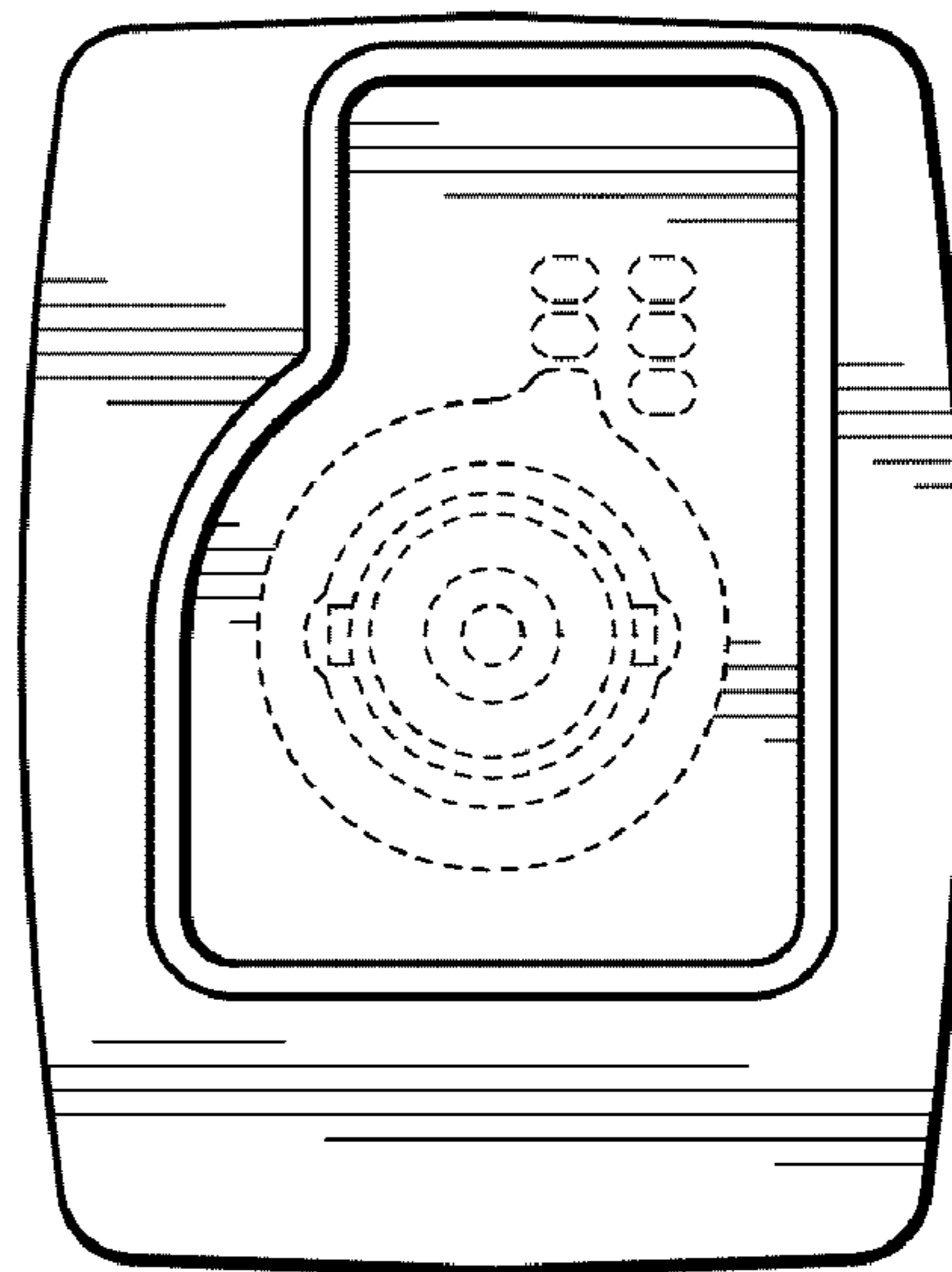
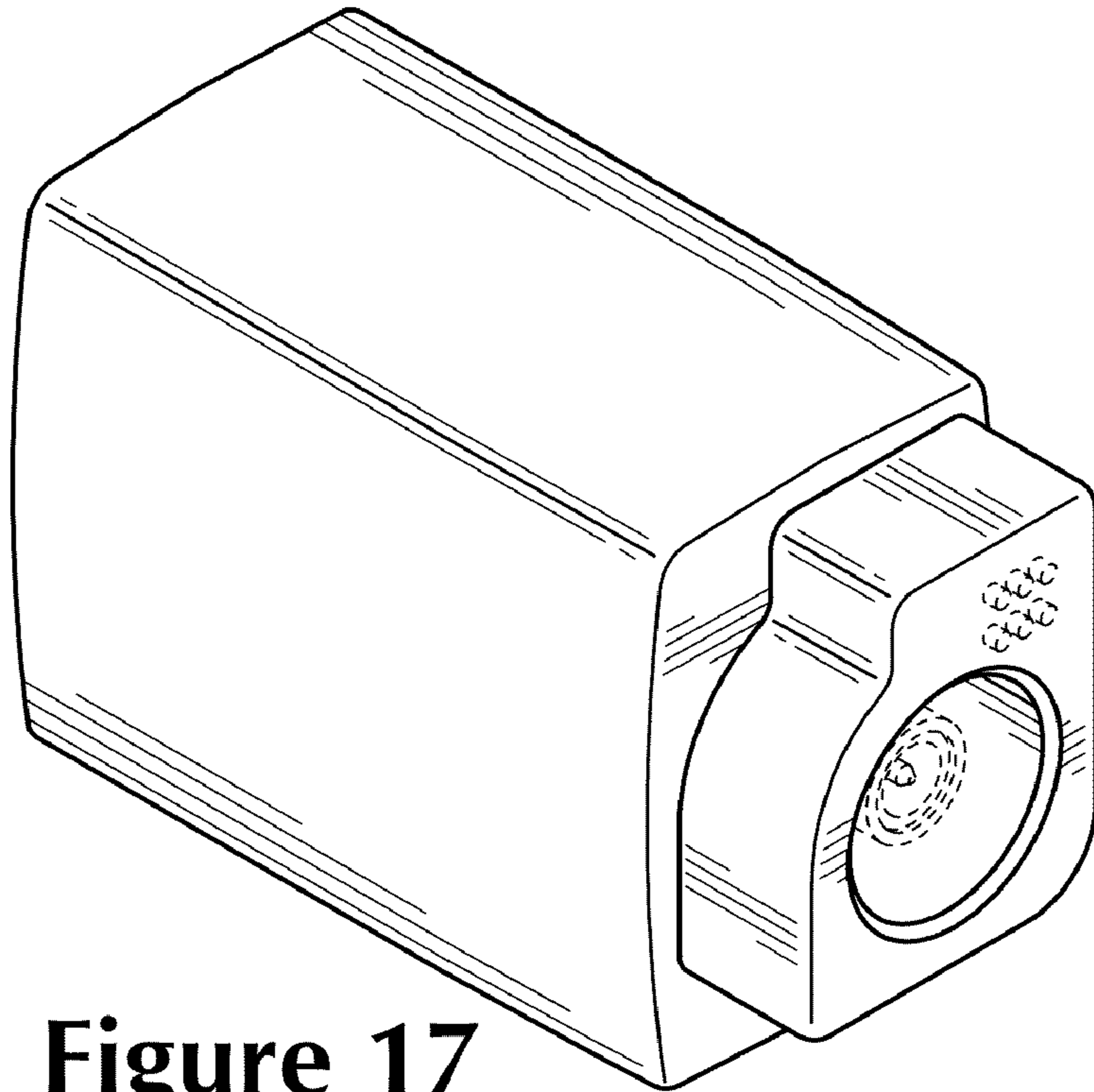
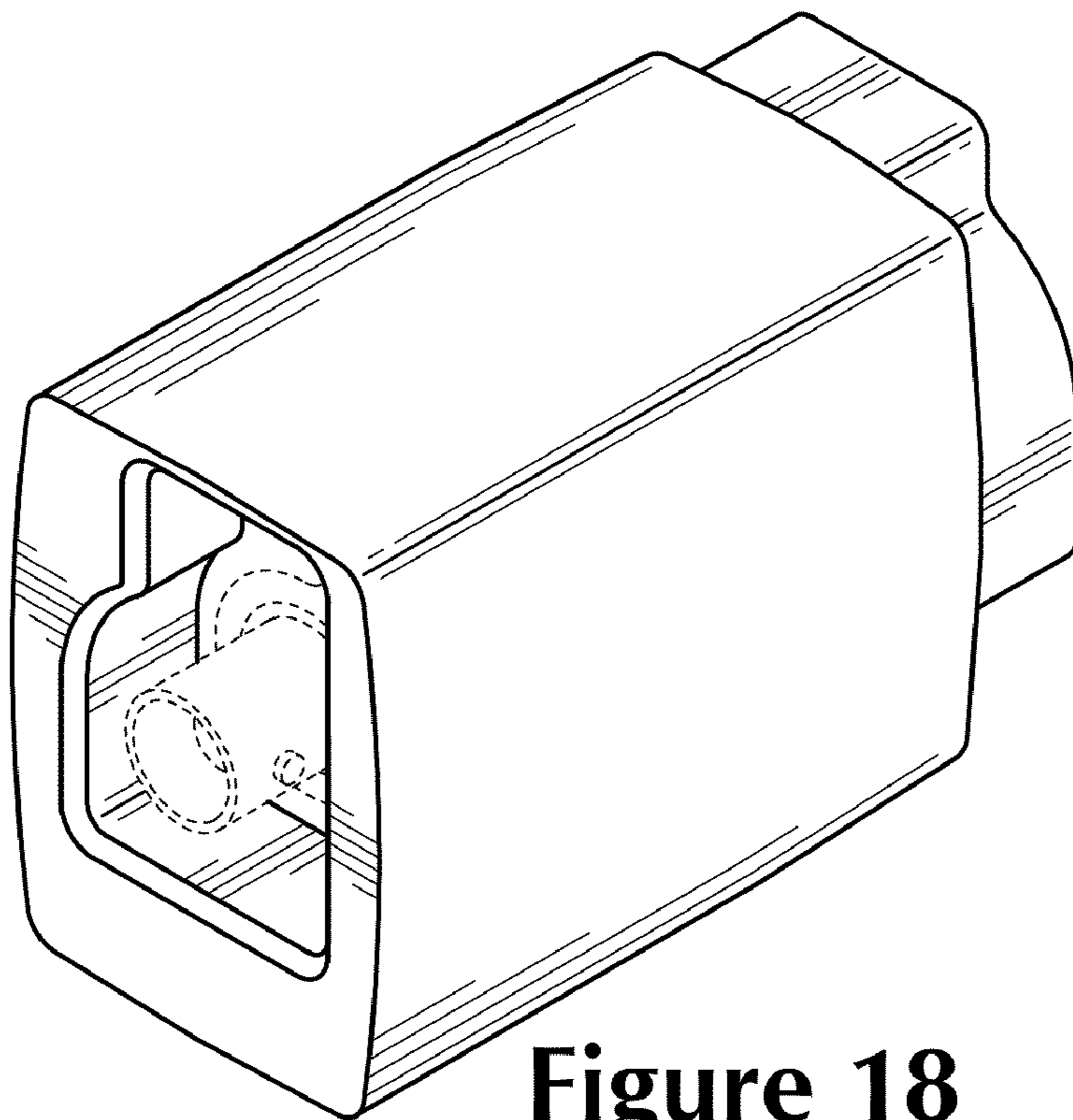


Figure 16

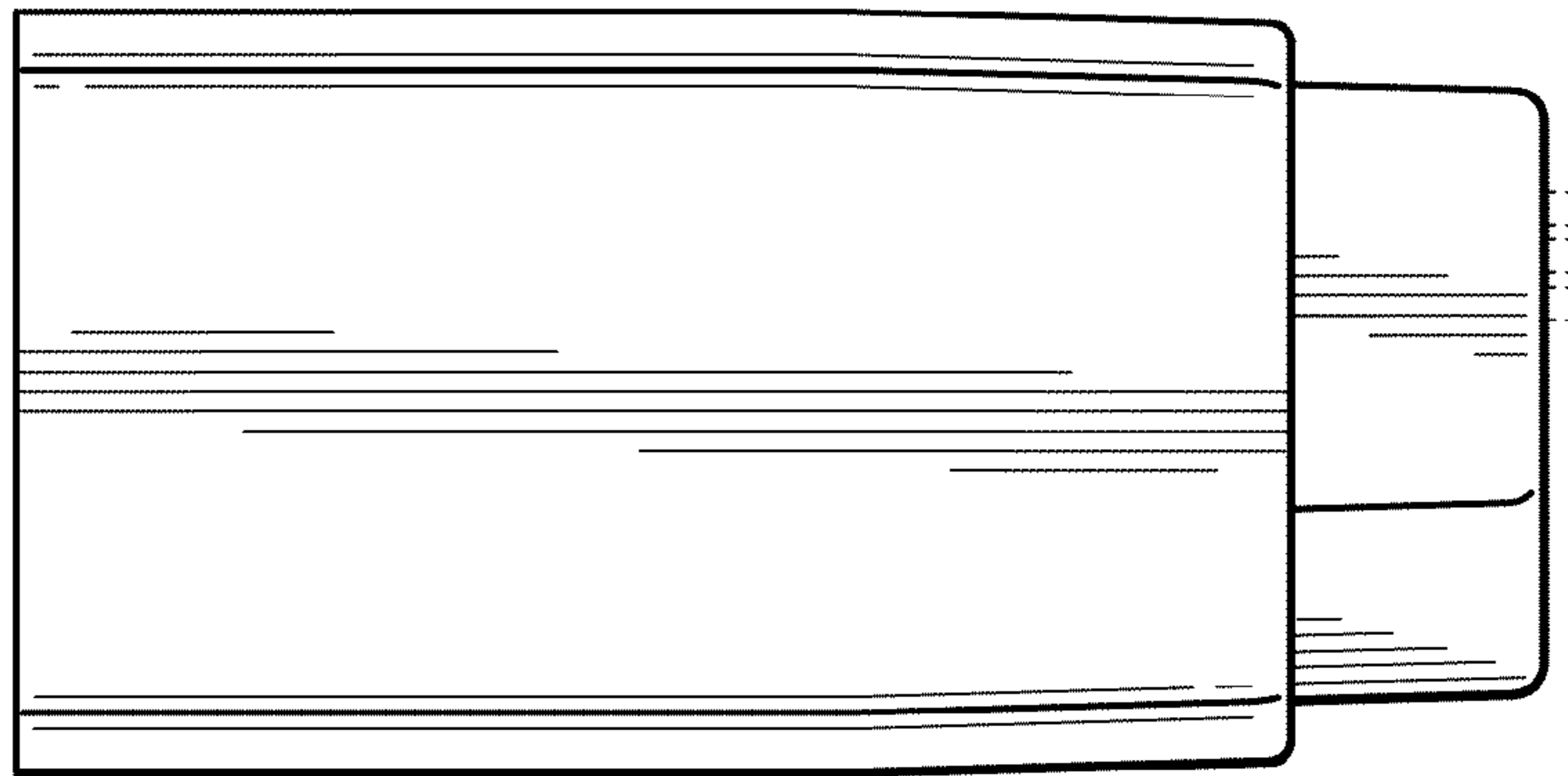




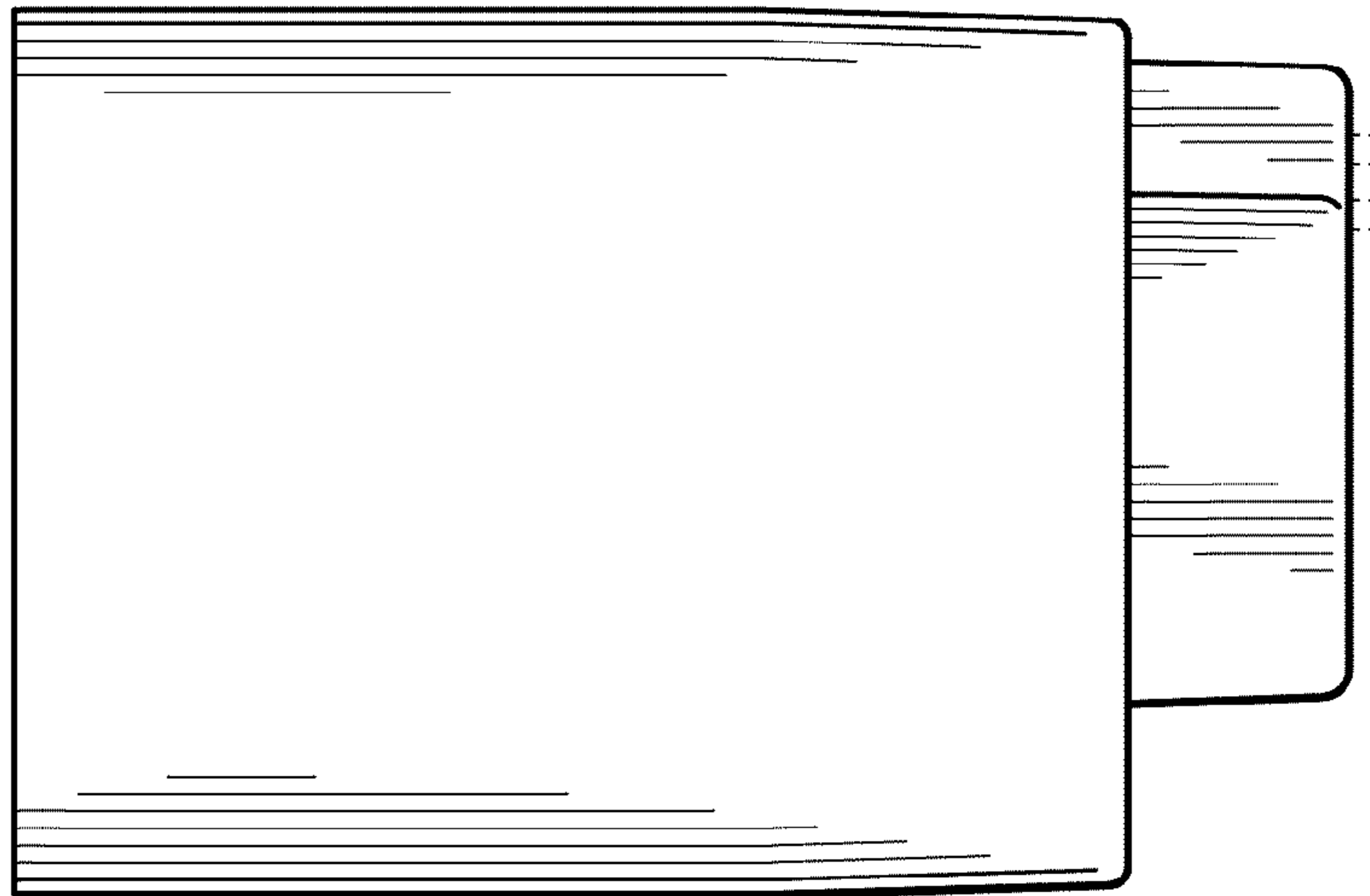
**Figure 17**



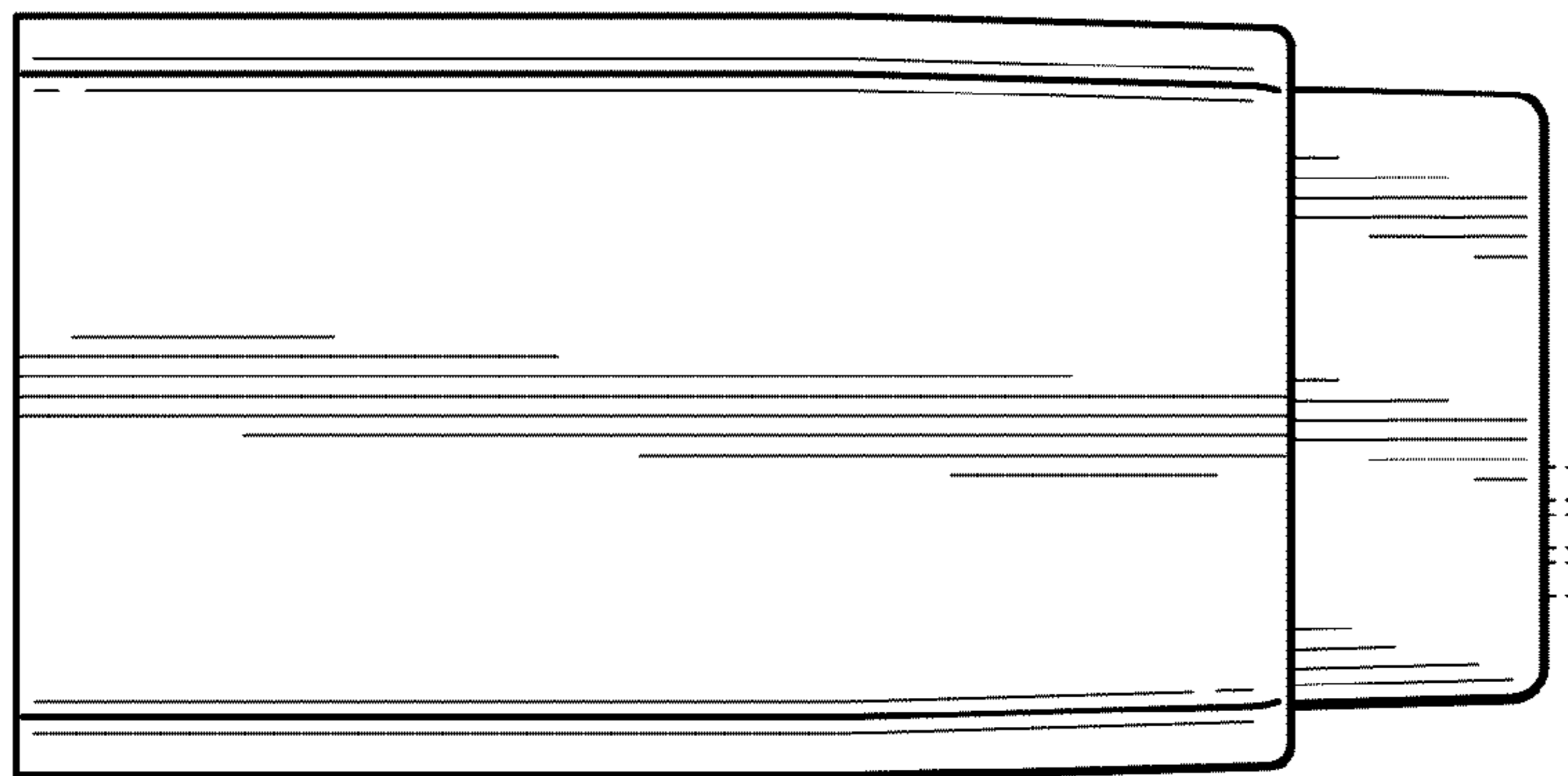
**Figure 18**



**Figure 19**

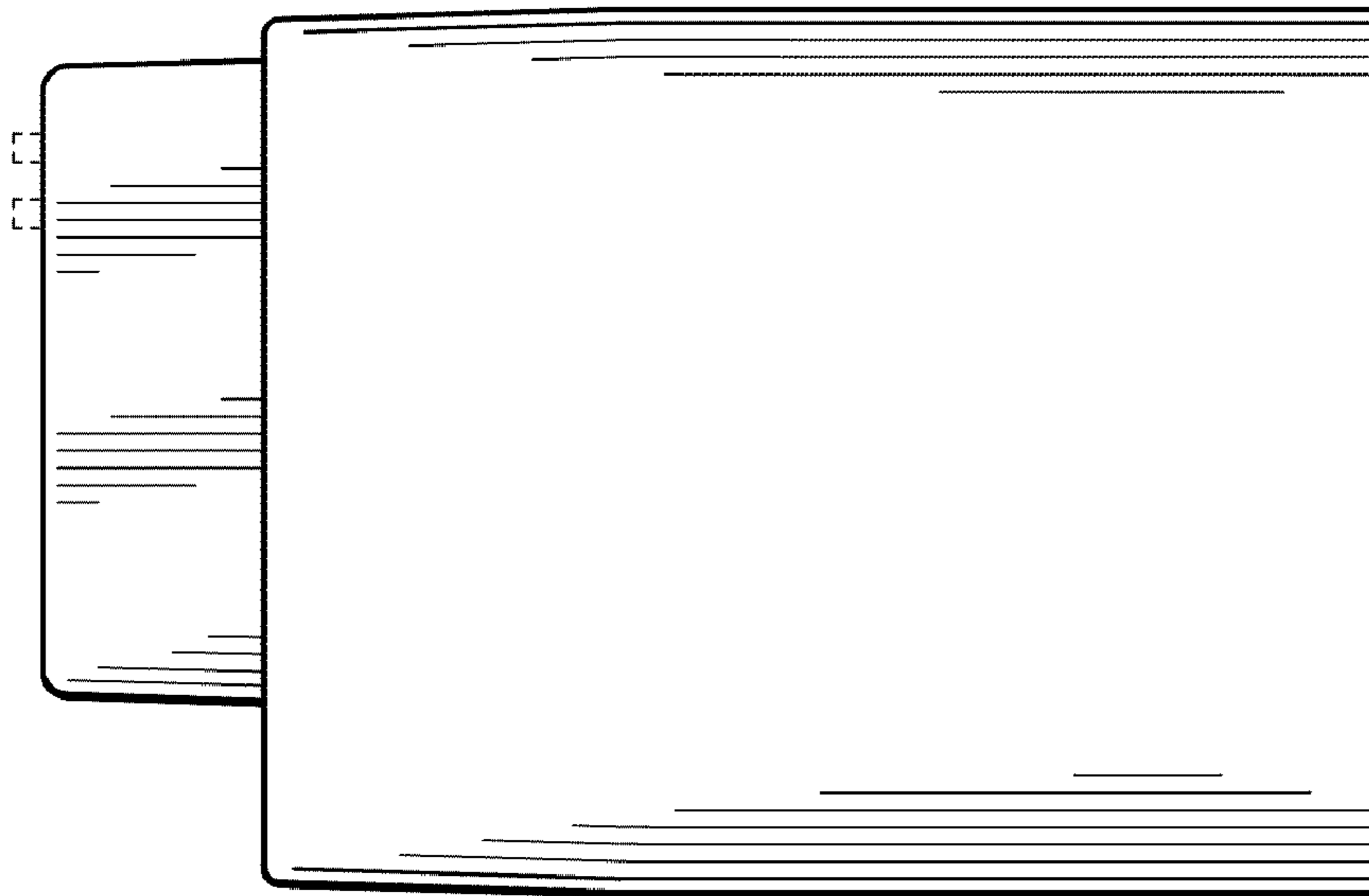


**Figure 20**

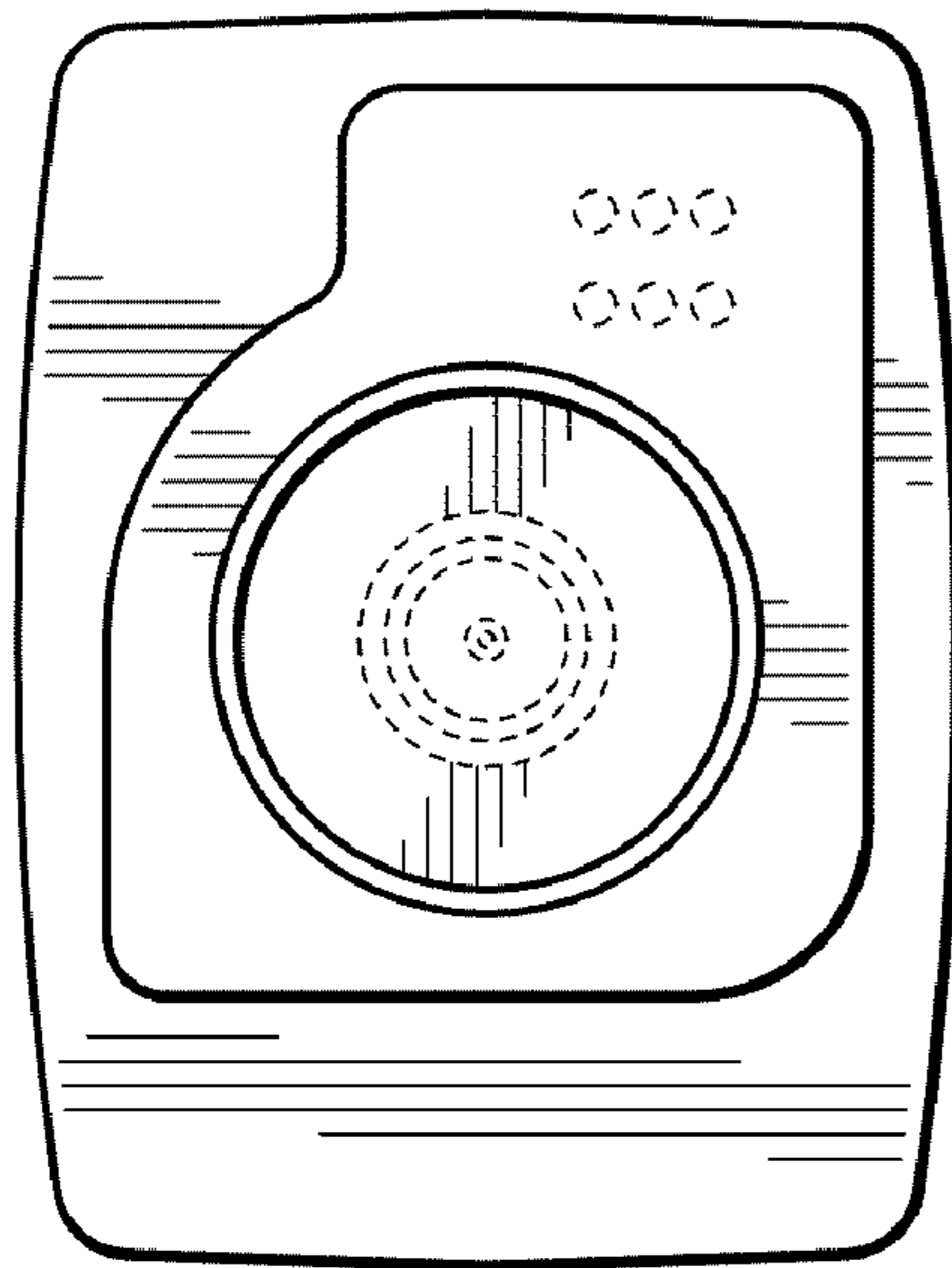


**Figure 21**

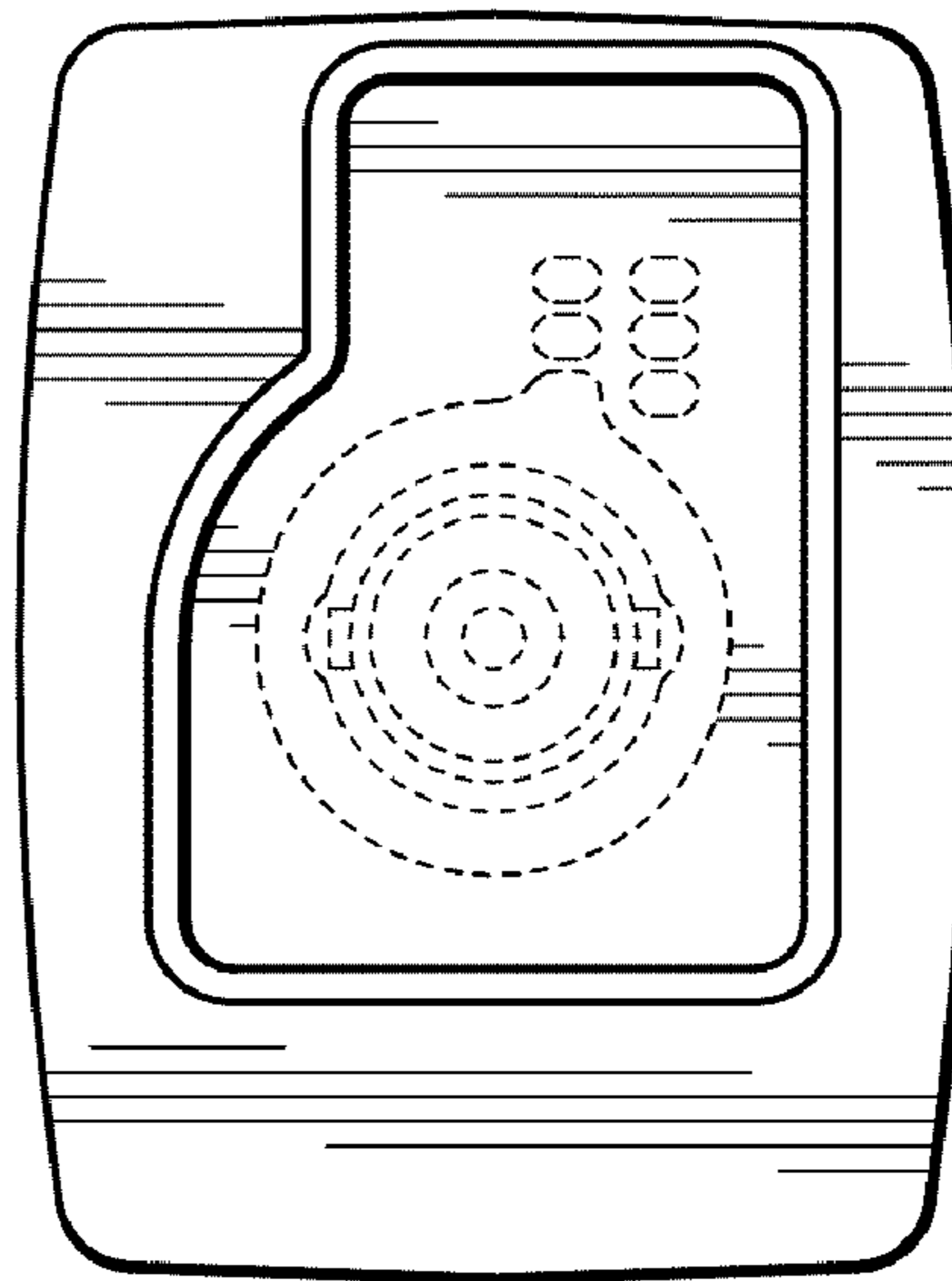




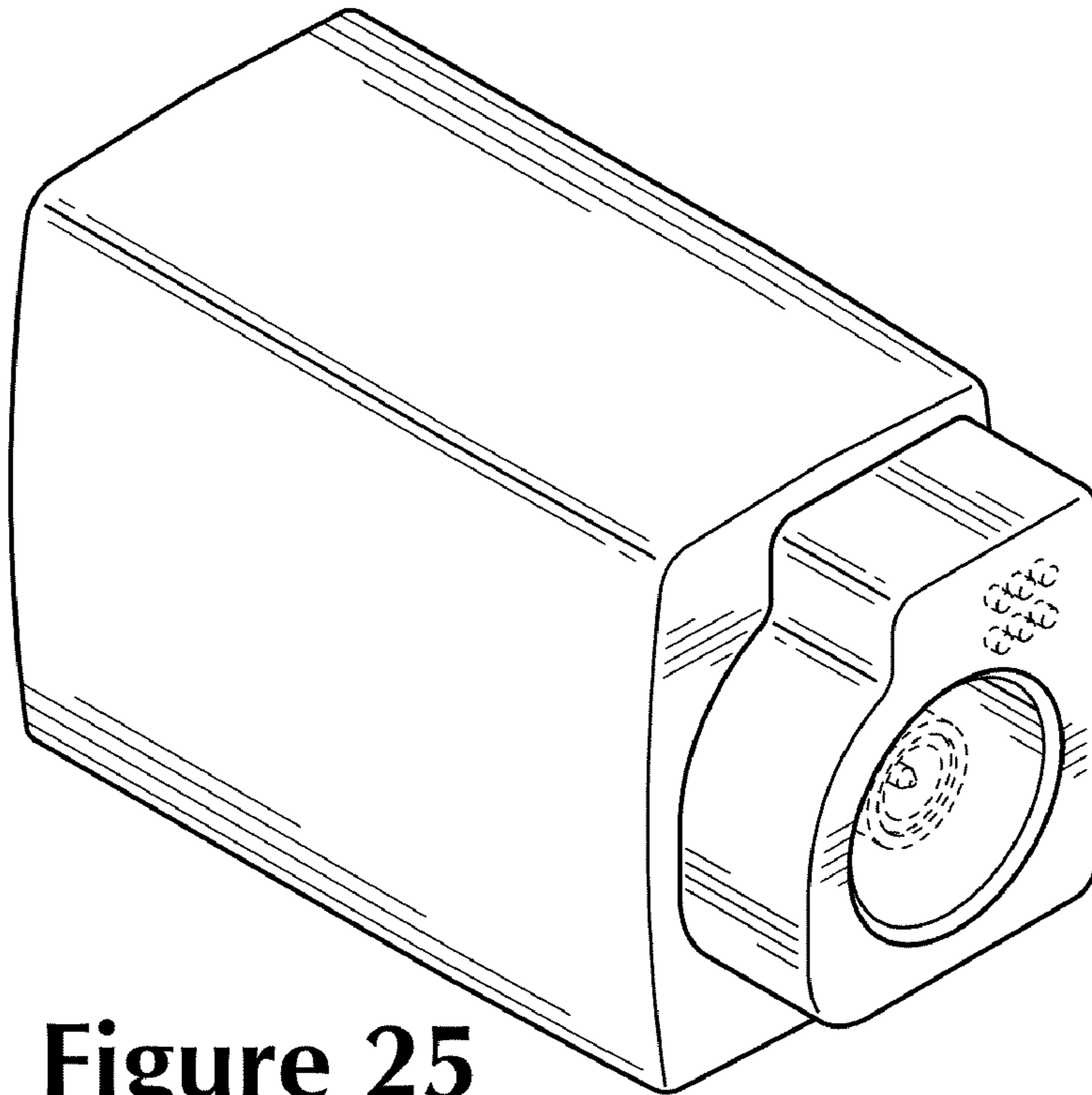
**Figure 22**



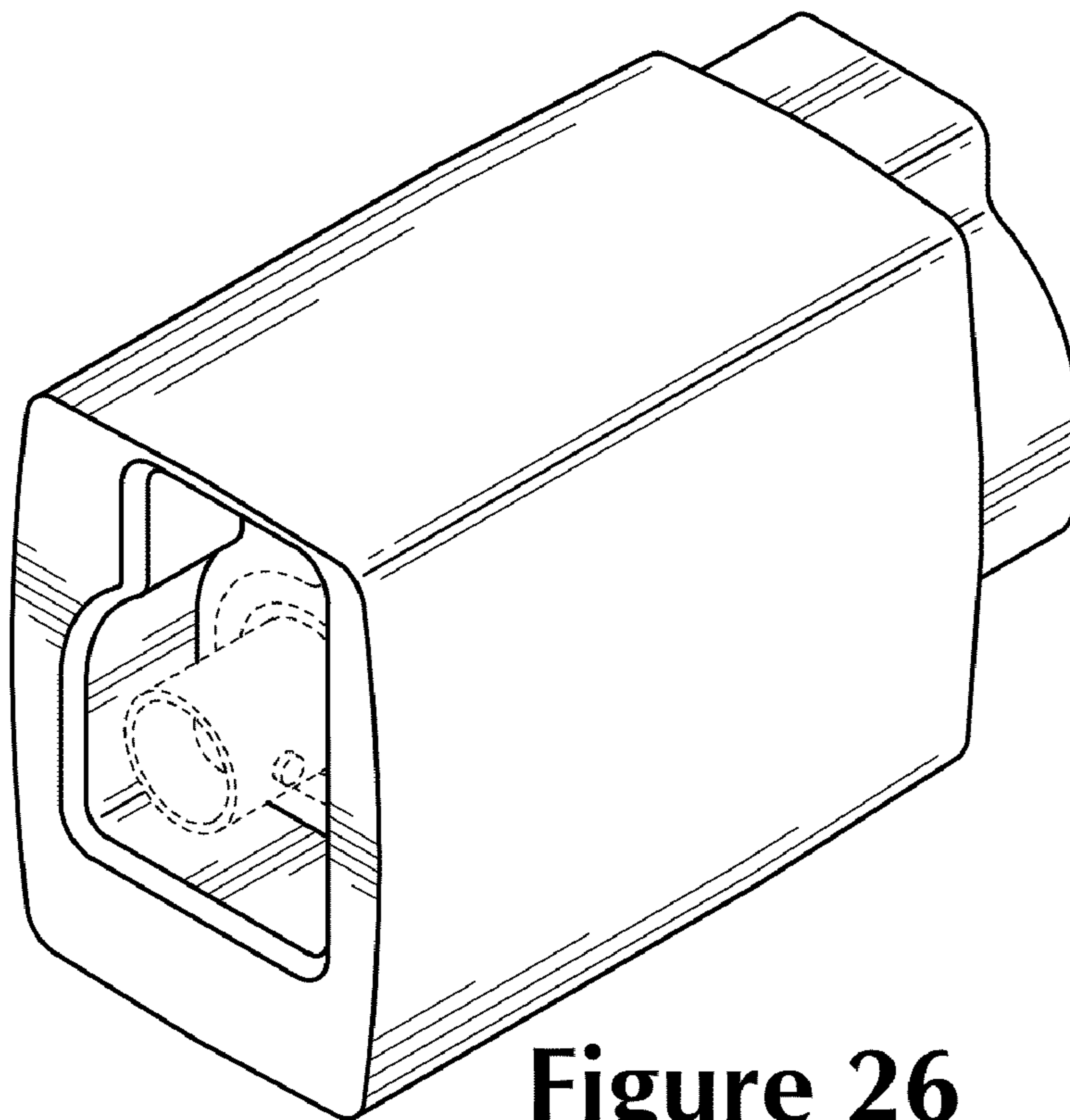
**Figure 23**



**Figure 24**

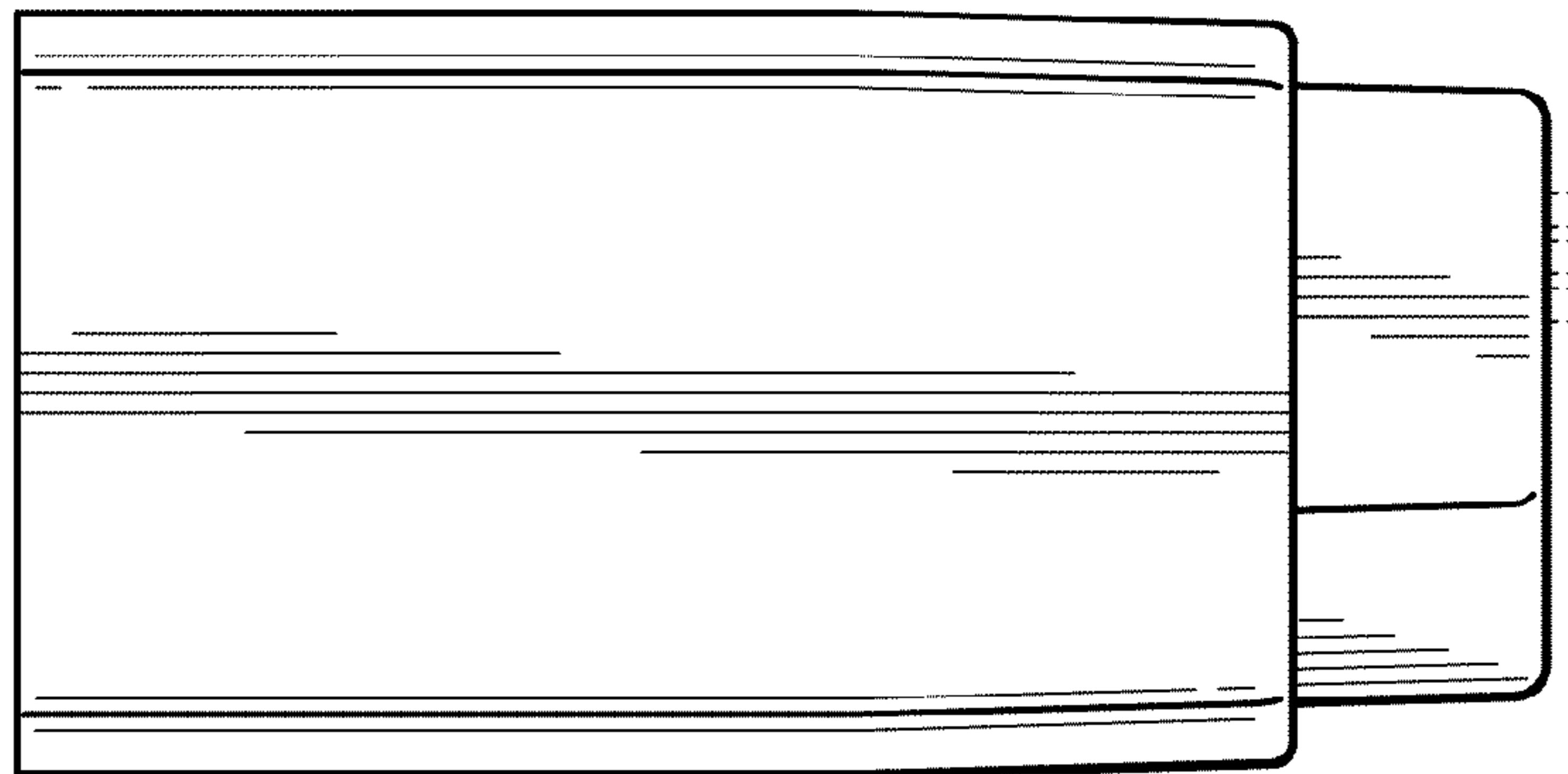


**Figure 25**

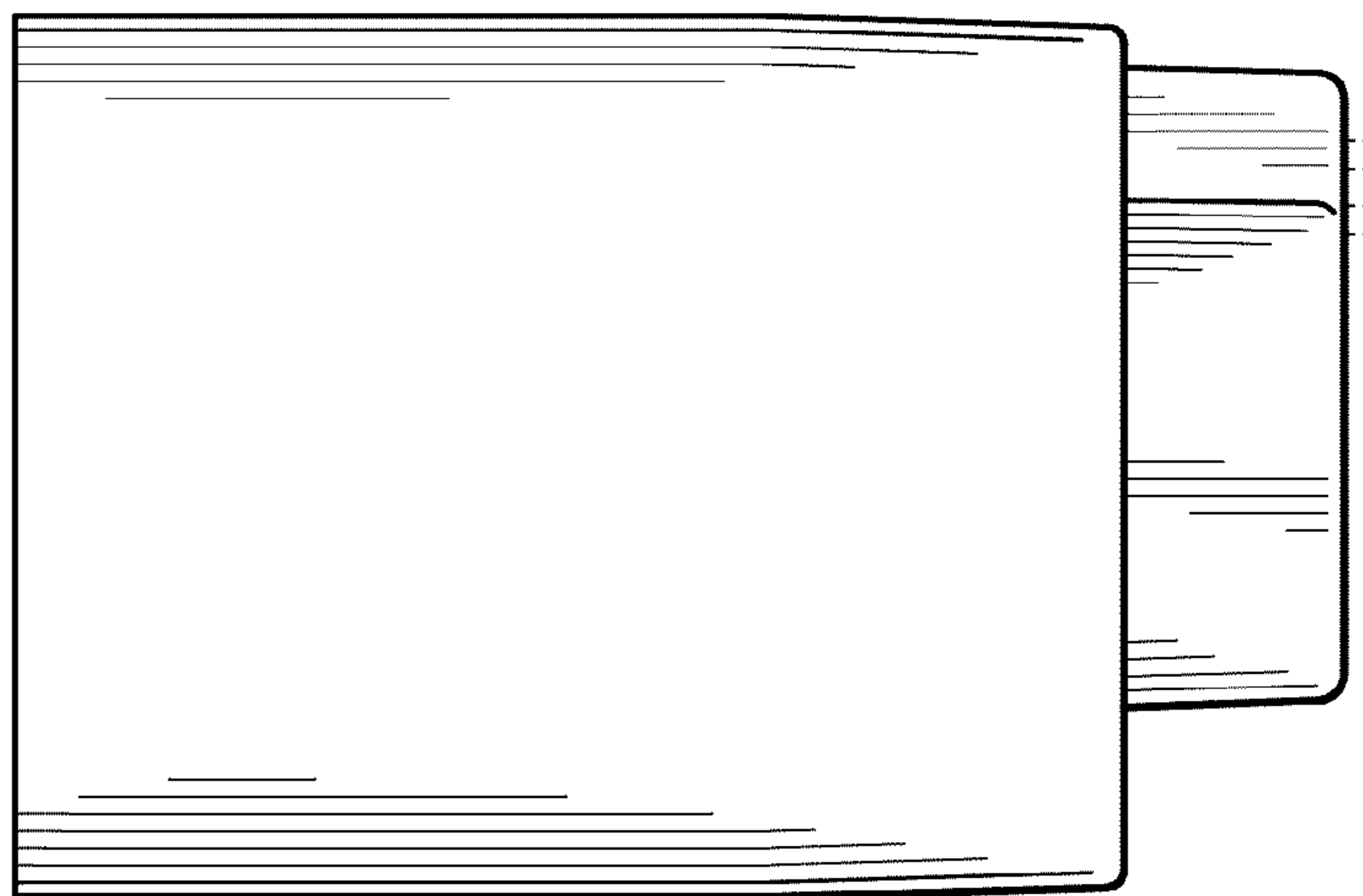


**Figure 26**

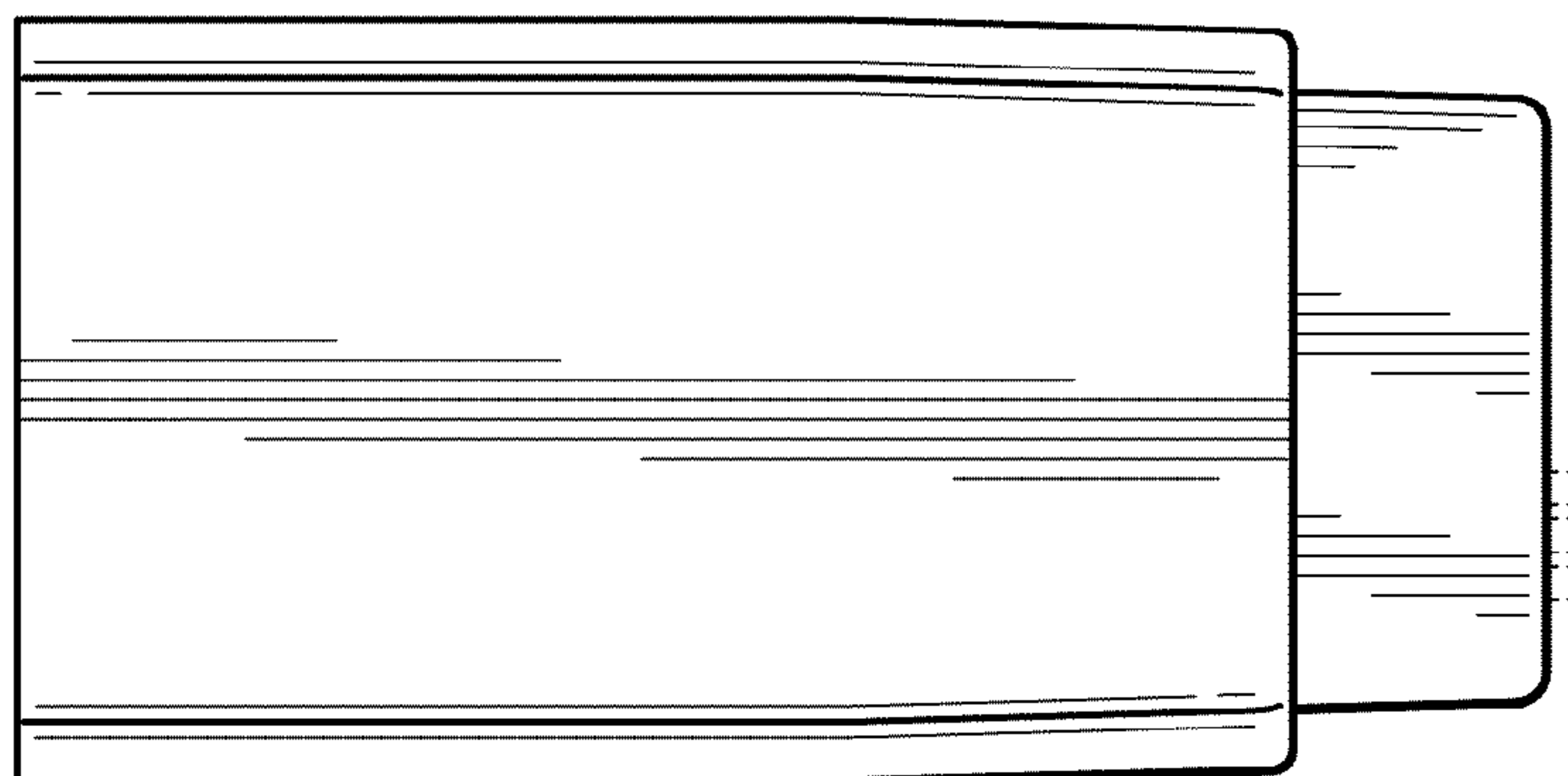




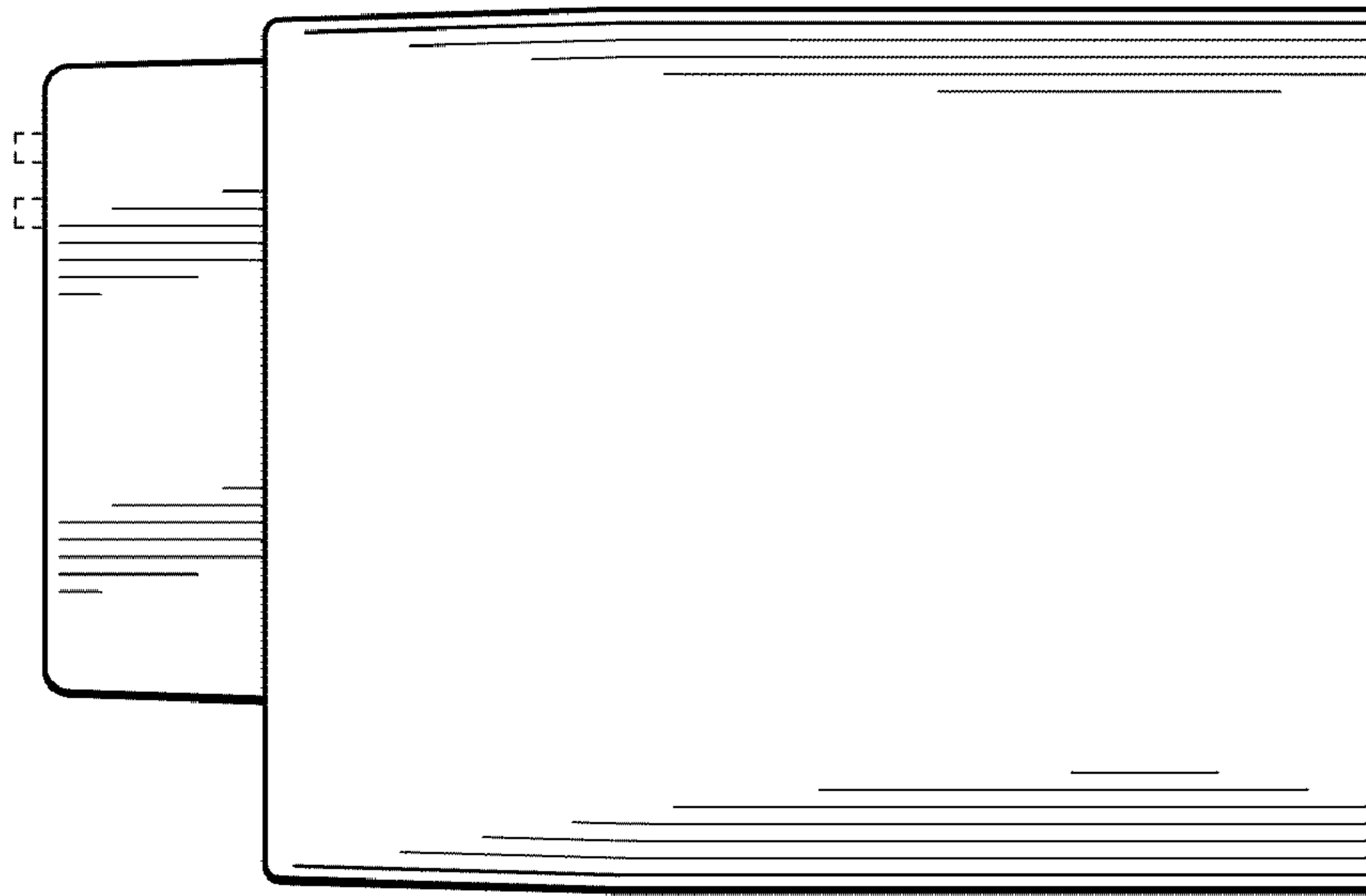
**Figure 27**



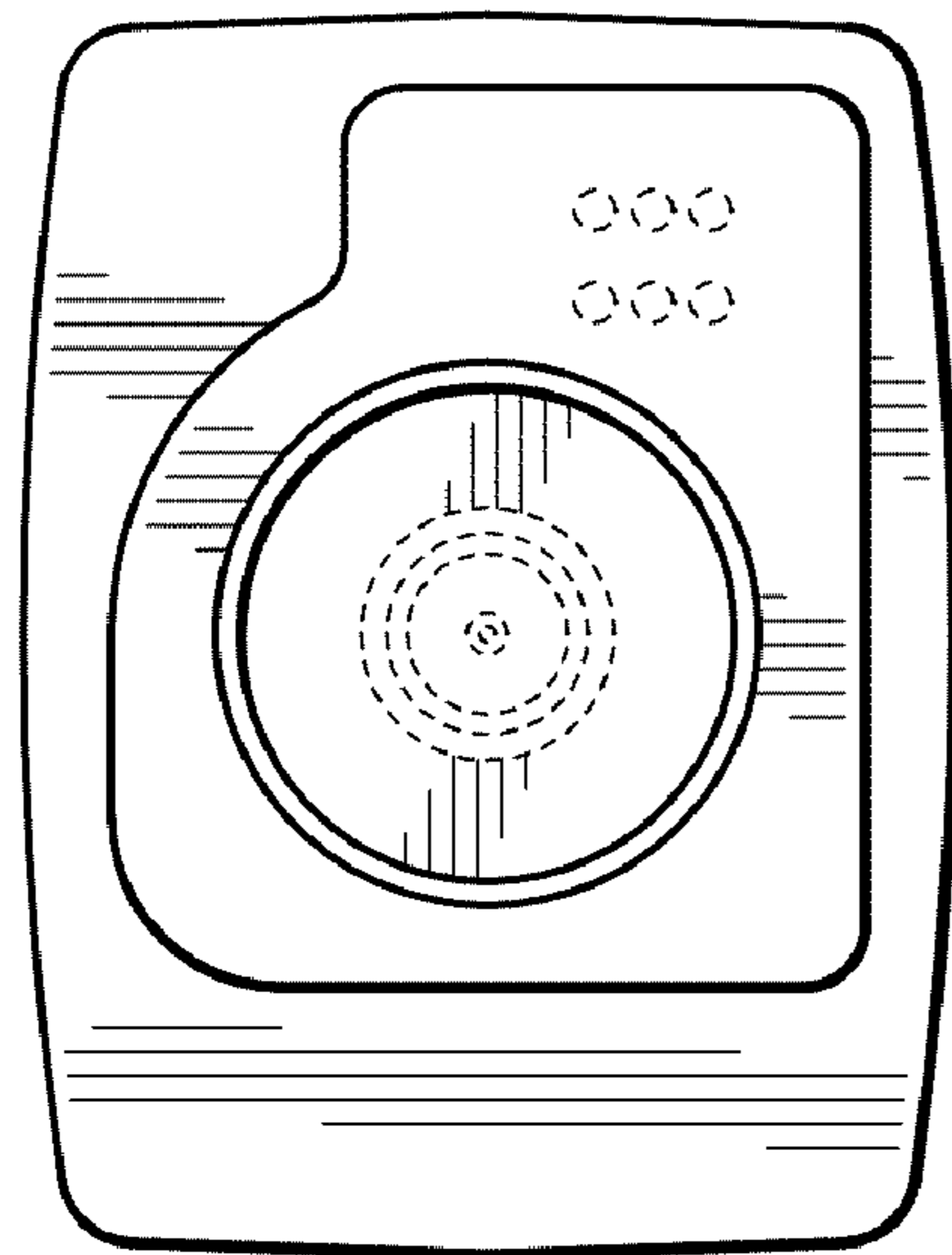
**Figure 28**



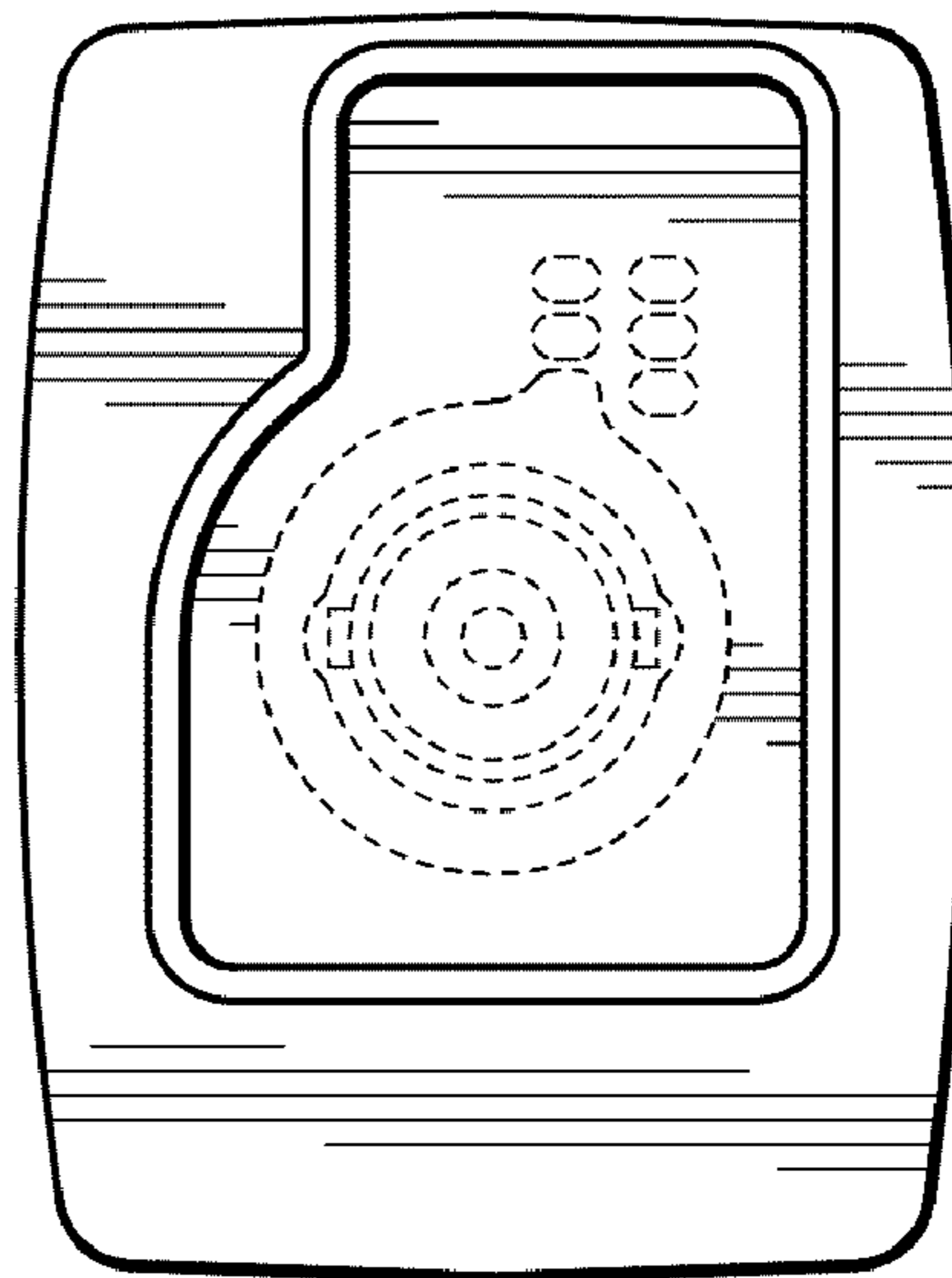
**Figure 29**



**Figure 30**

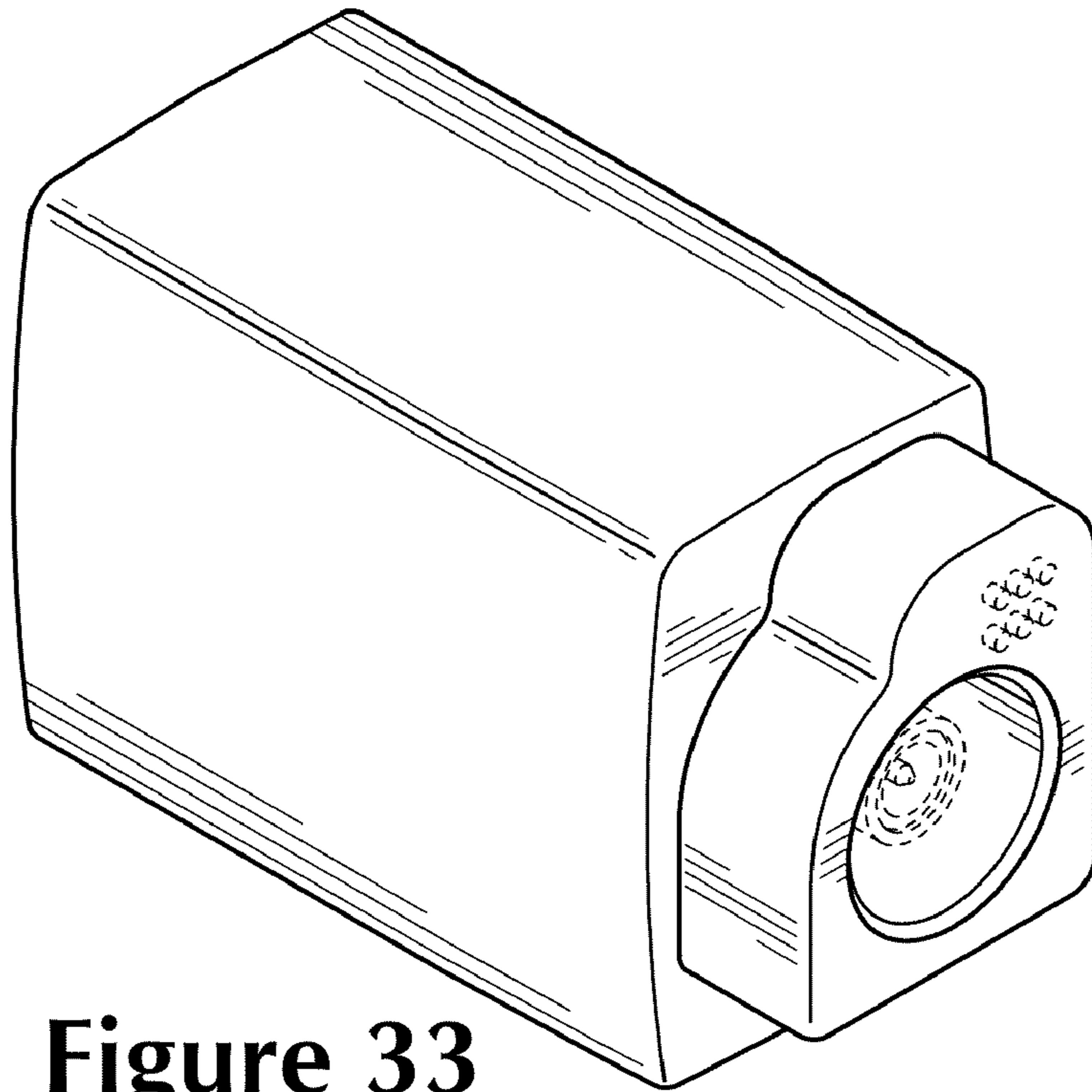


**Figure 31**

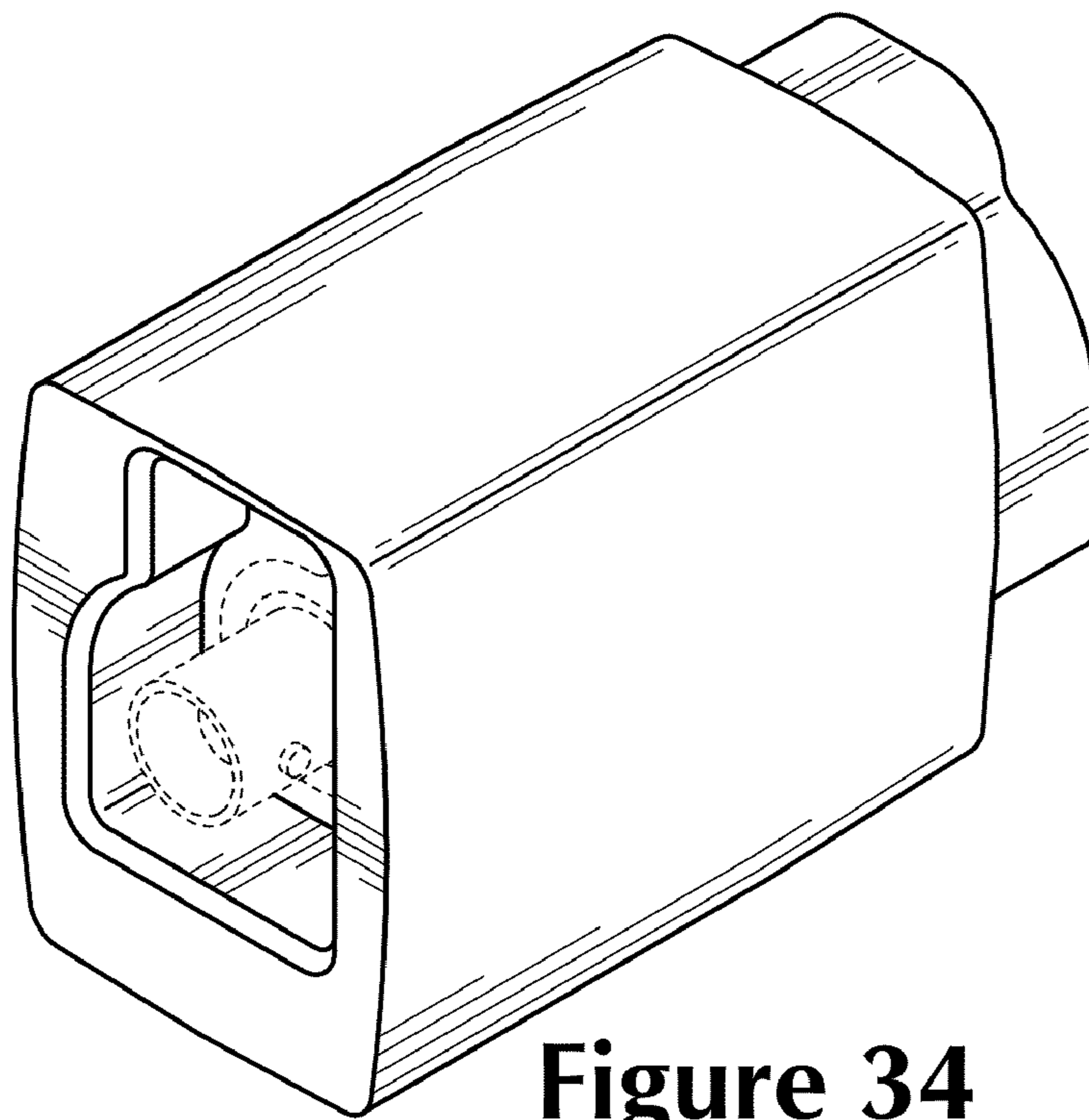


**Figure 32**

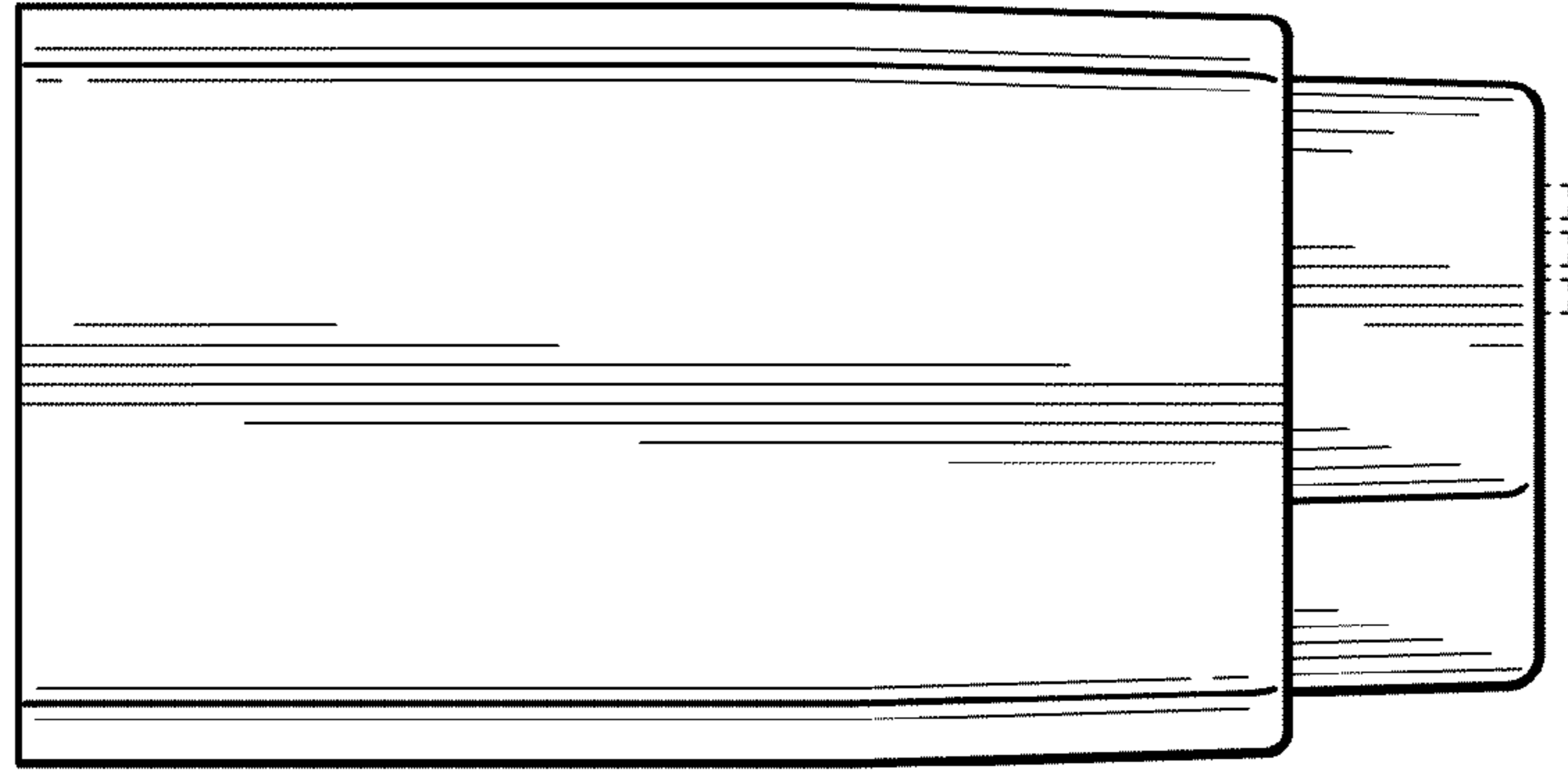




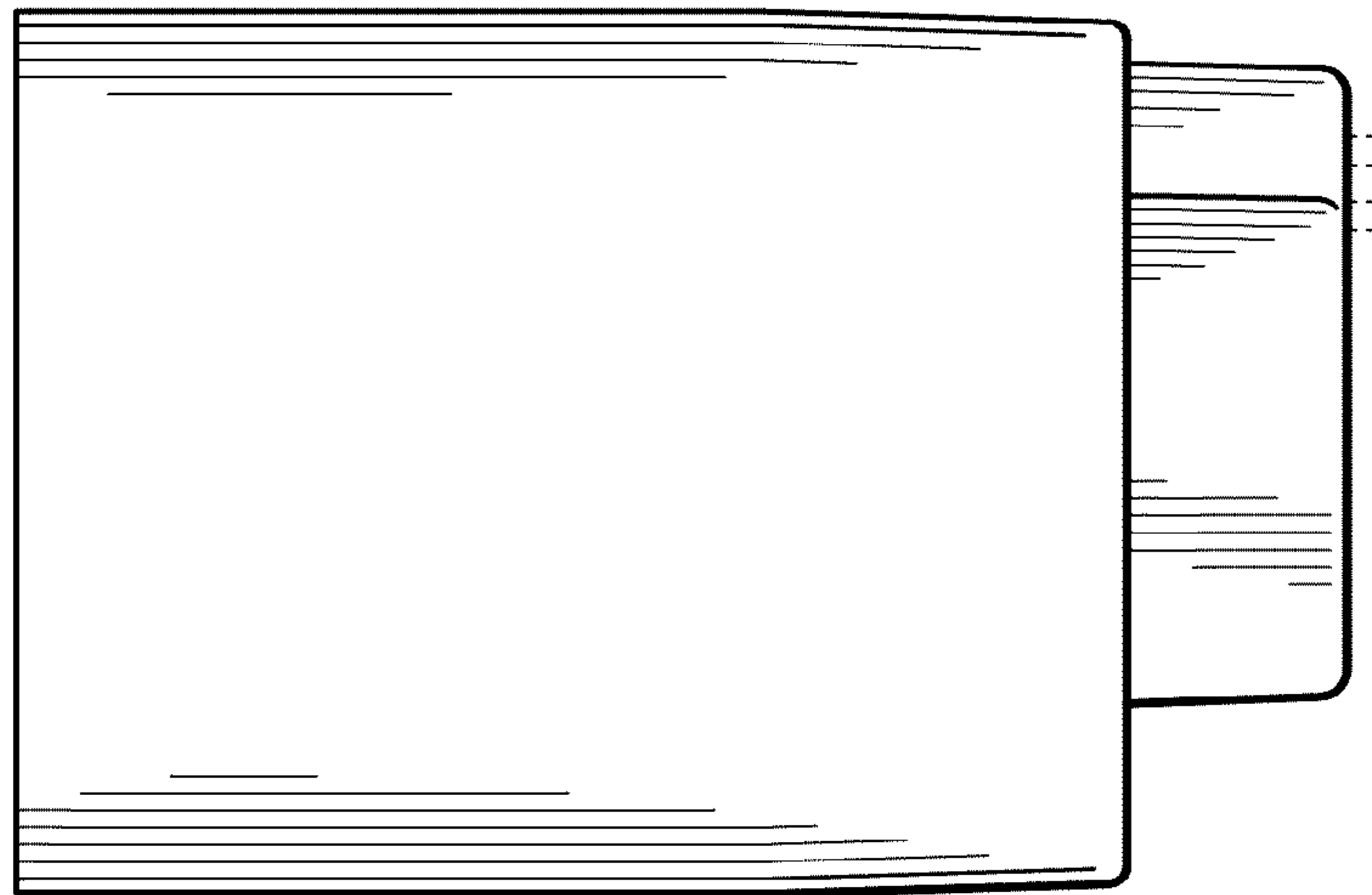
**Figure 33**



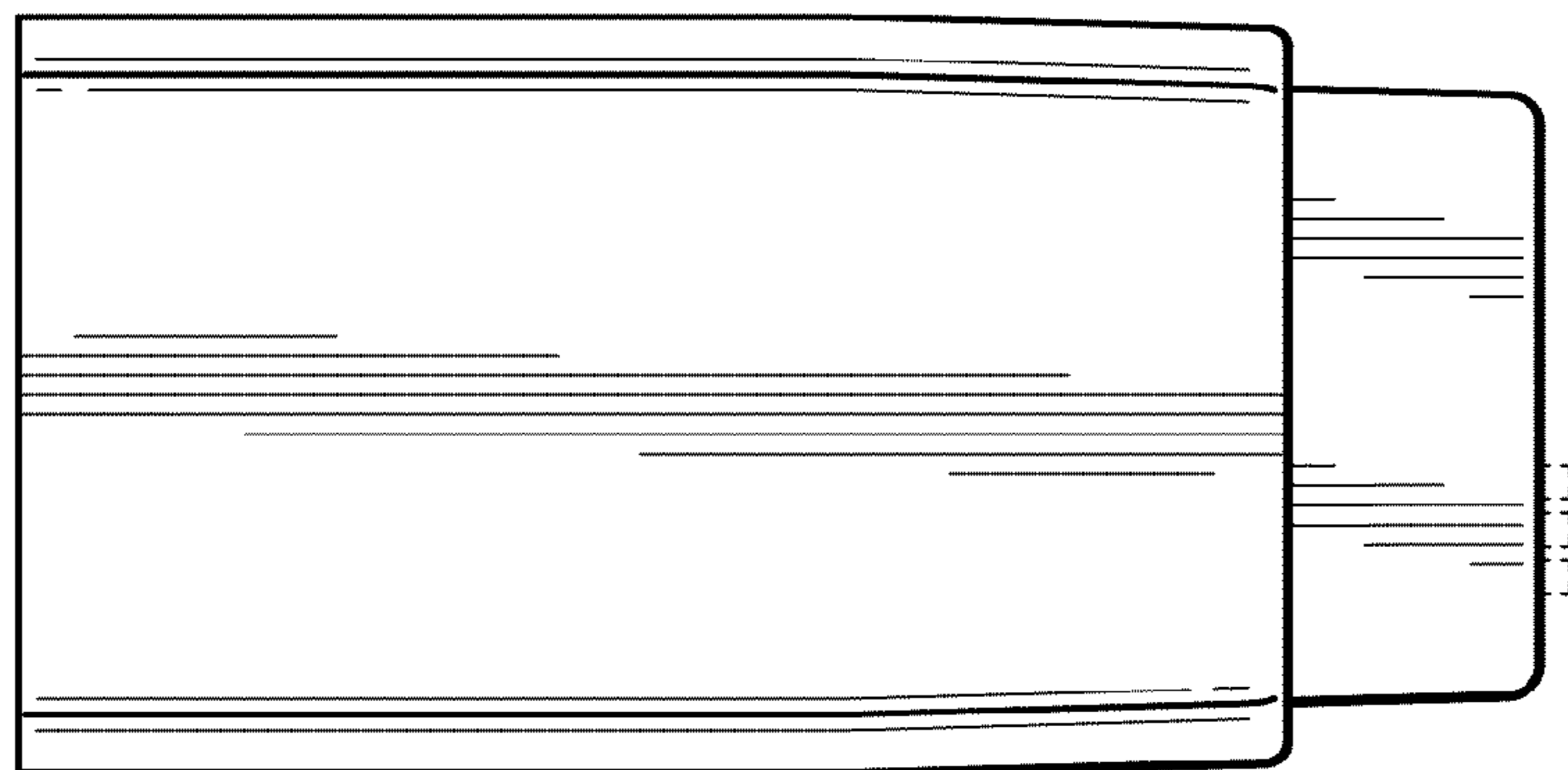
**Figure 34**



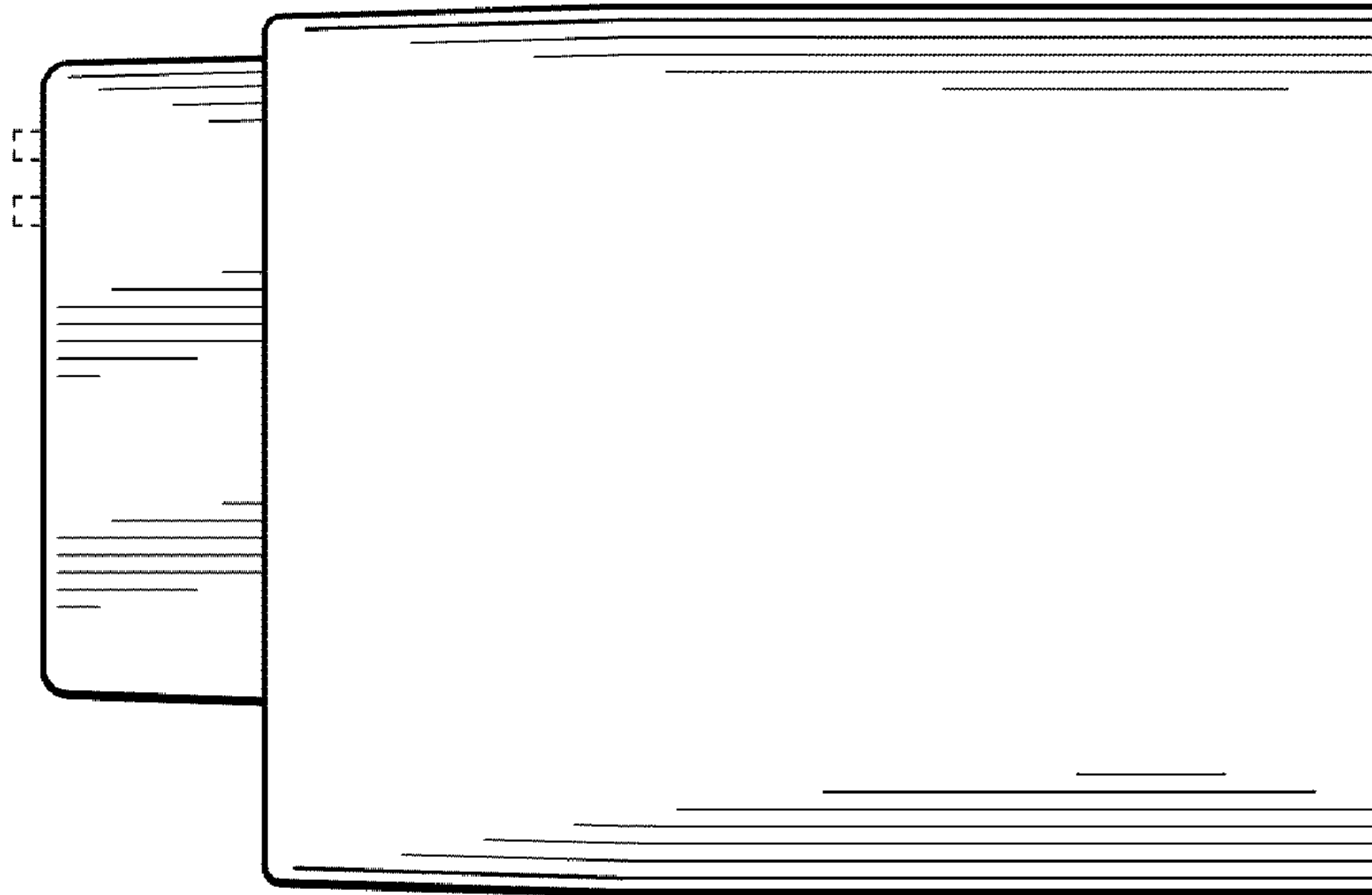
**Figure 35**



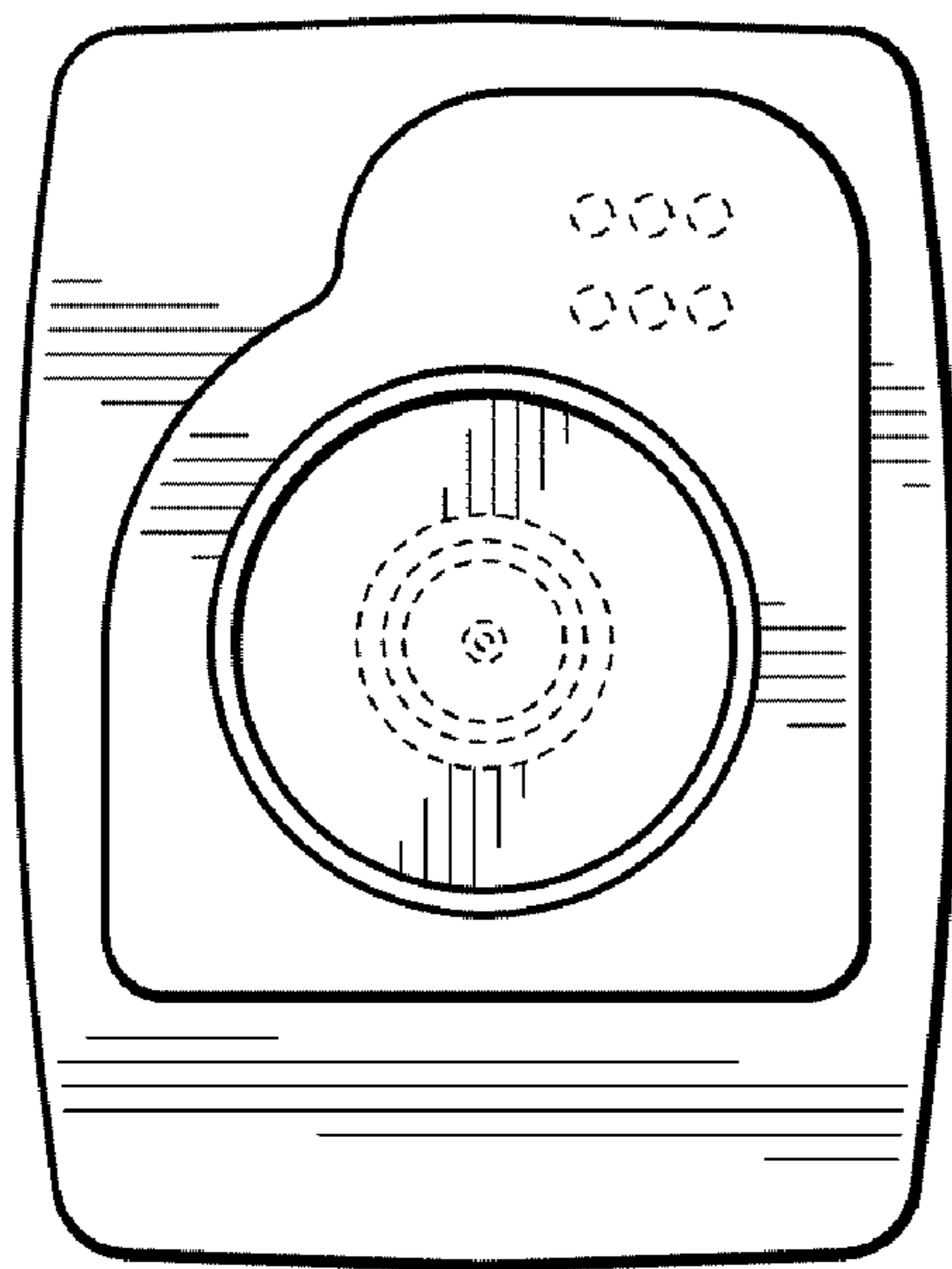
**Figure 36**



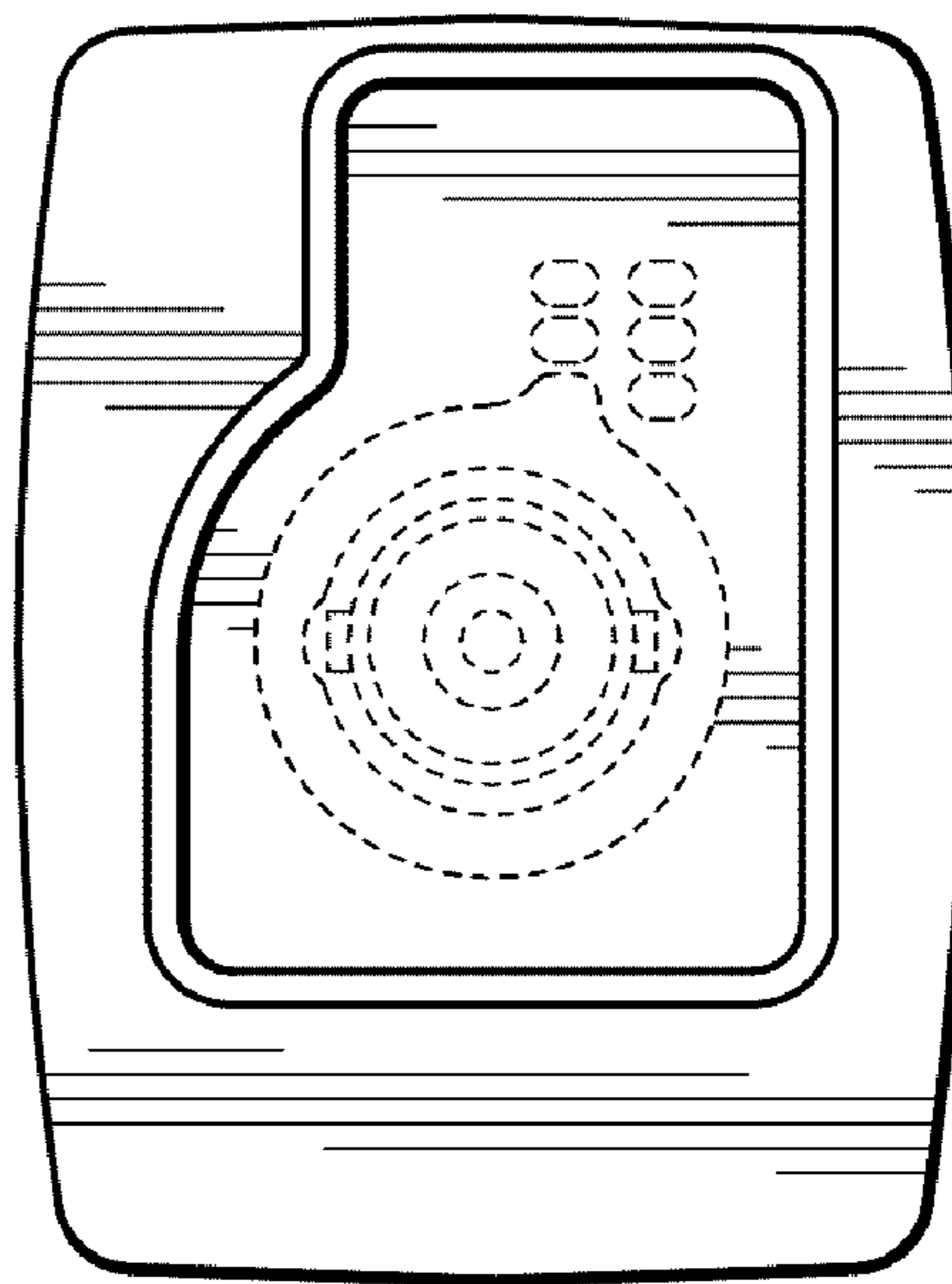
**Figure 37**



**Figure 38**

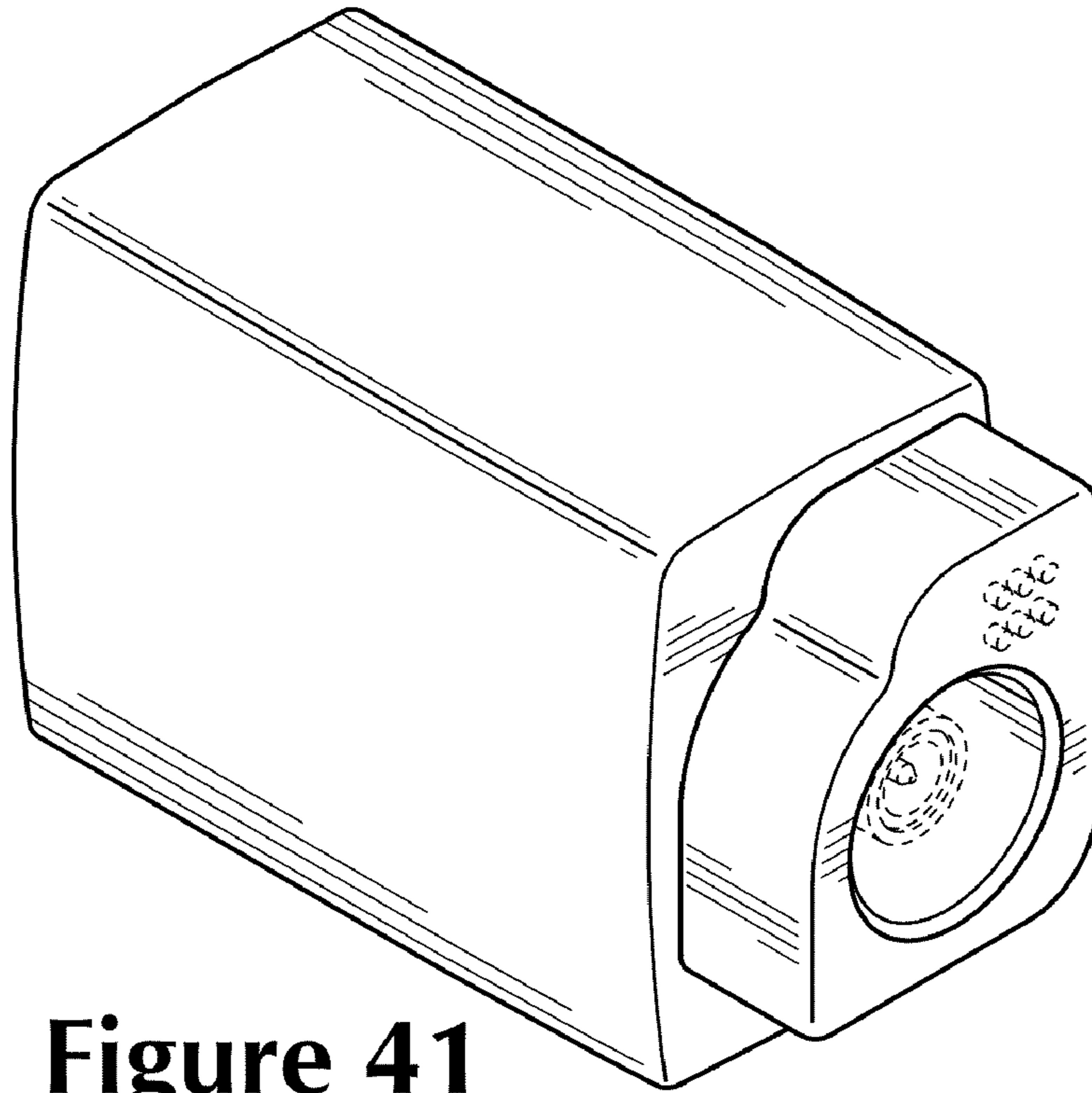


**Figure 39**

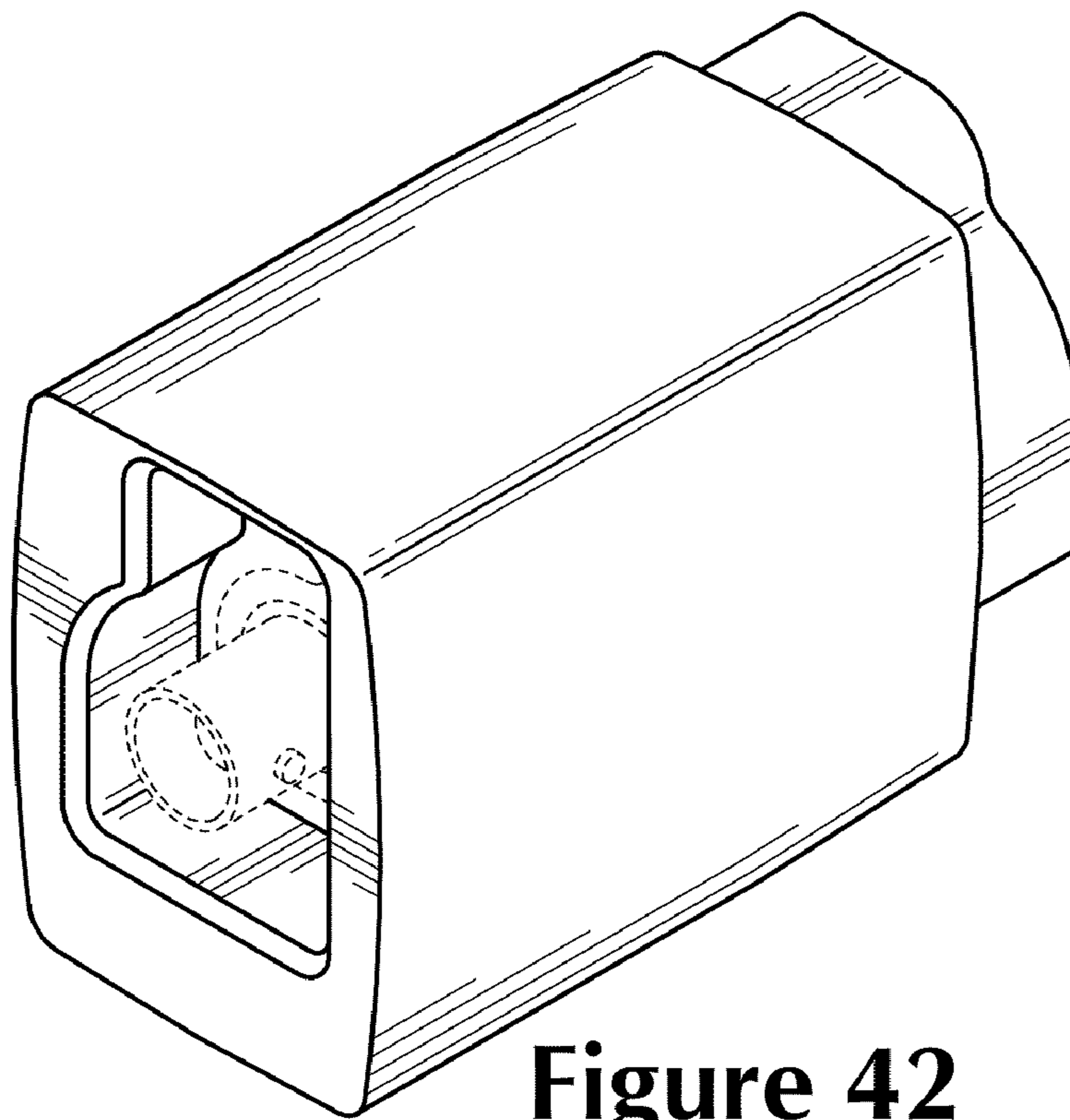


**Figure 40**

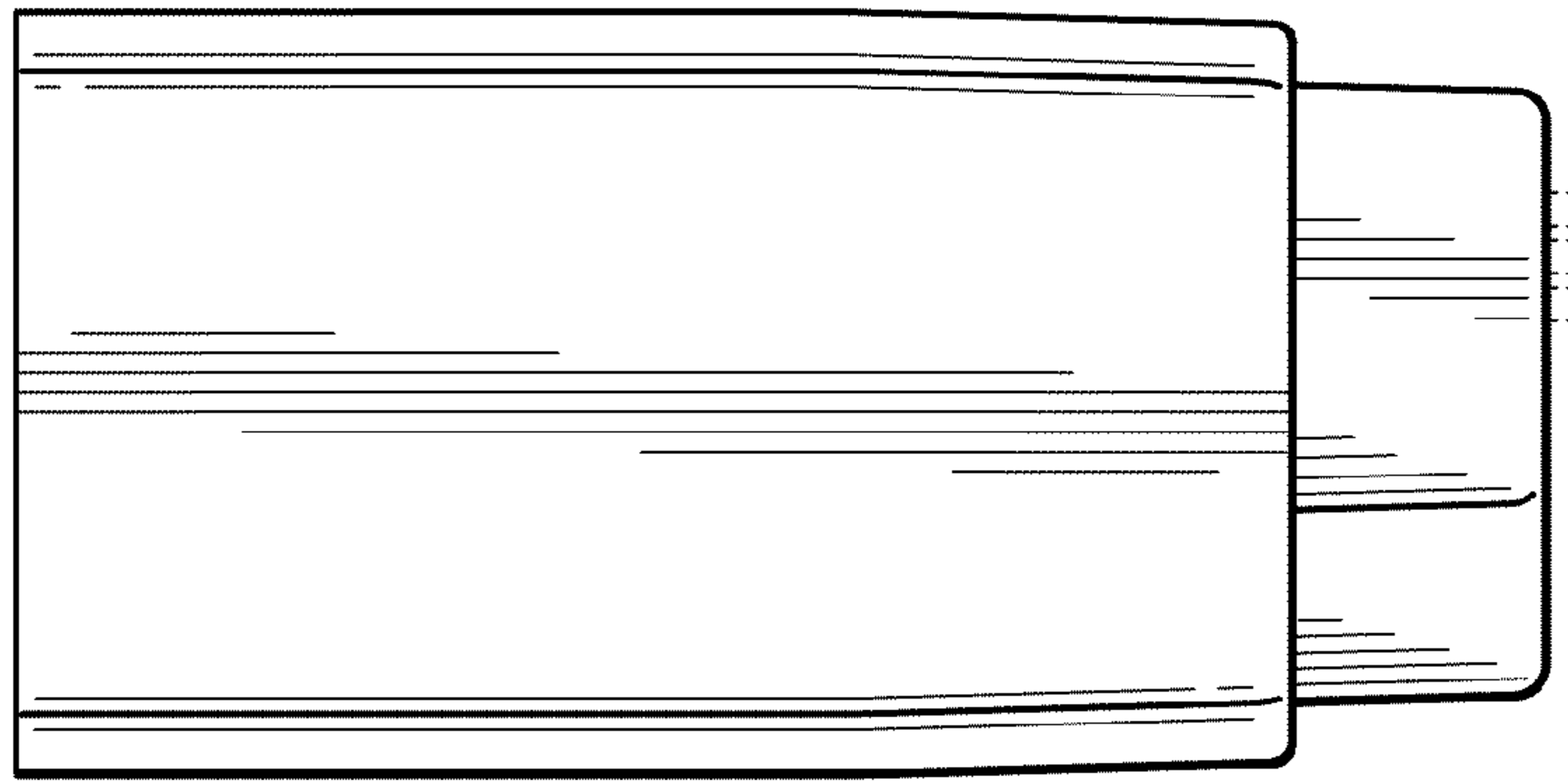




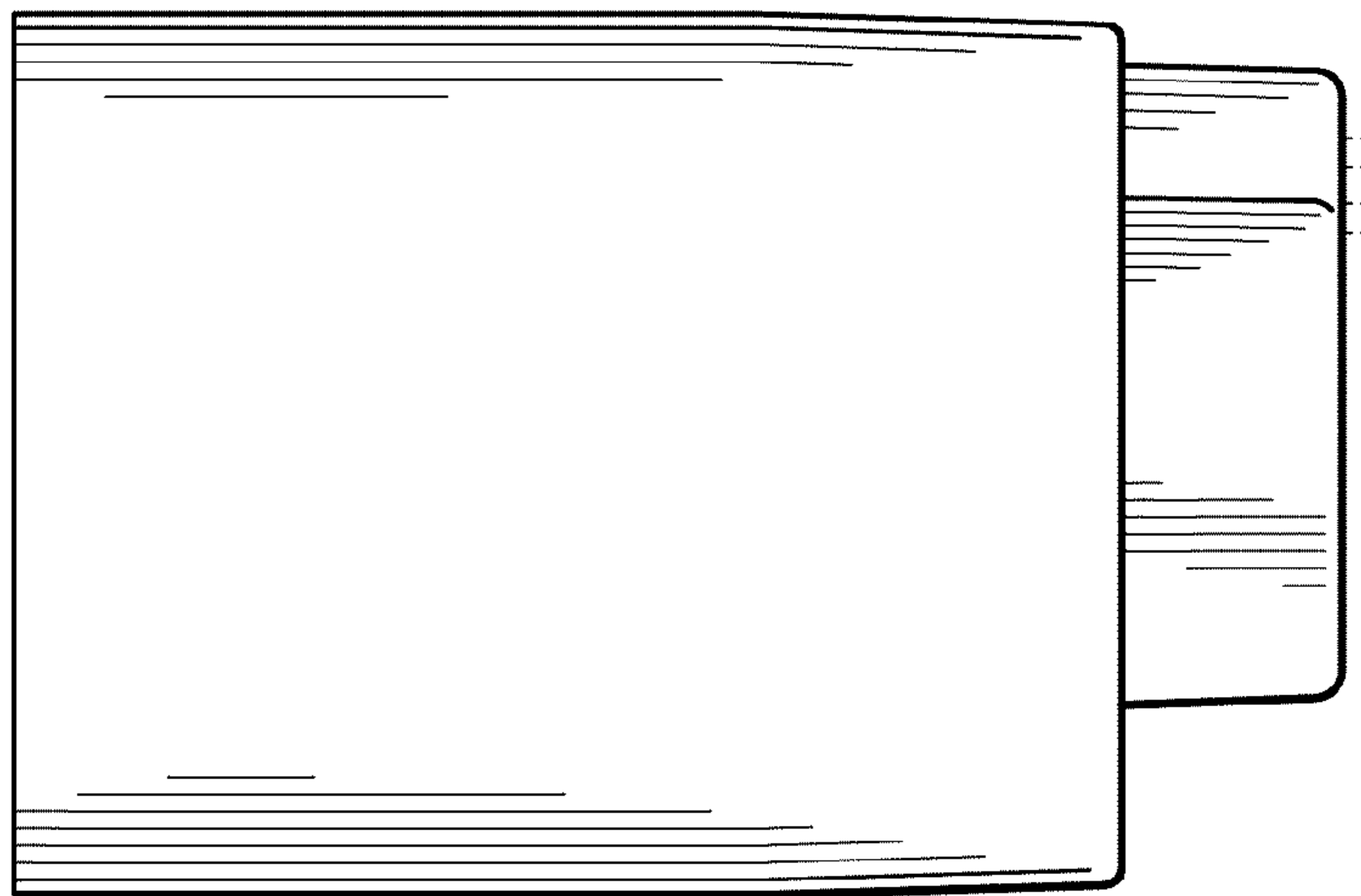
**Figure 41**



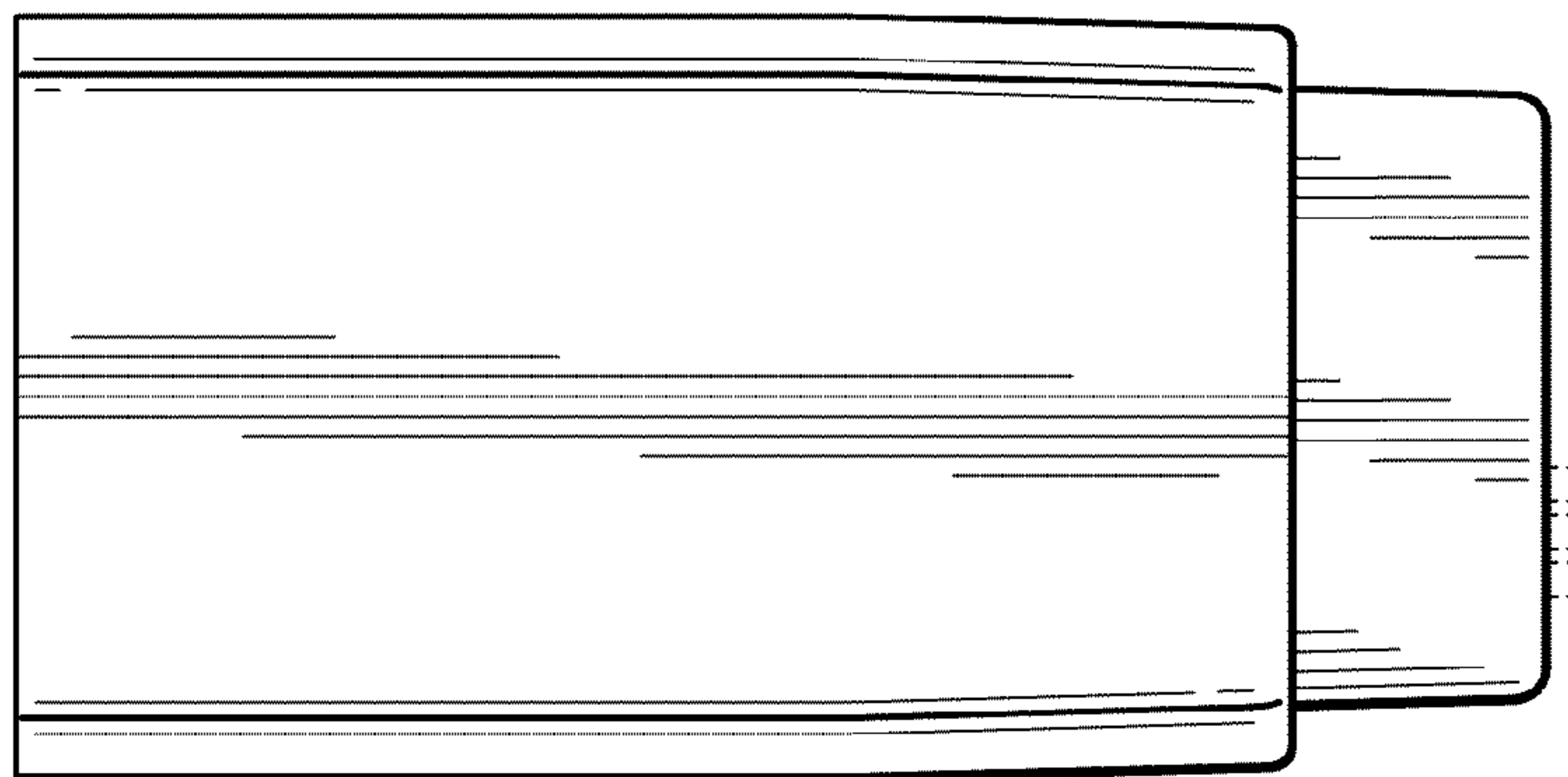
**Figure 42**



**Figure 43**



**Figure 44**



**Figure 45**

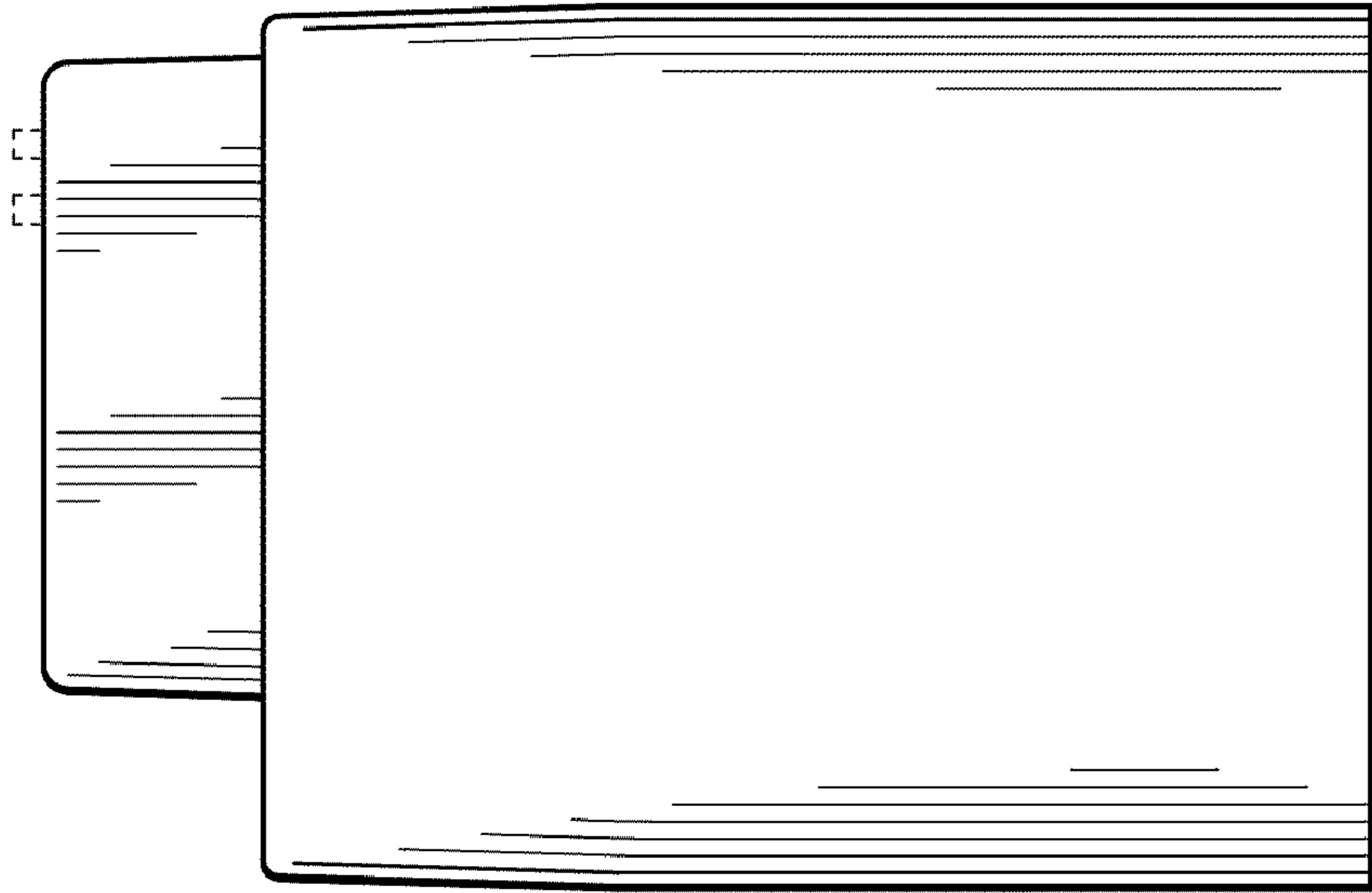


Figure 46

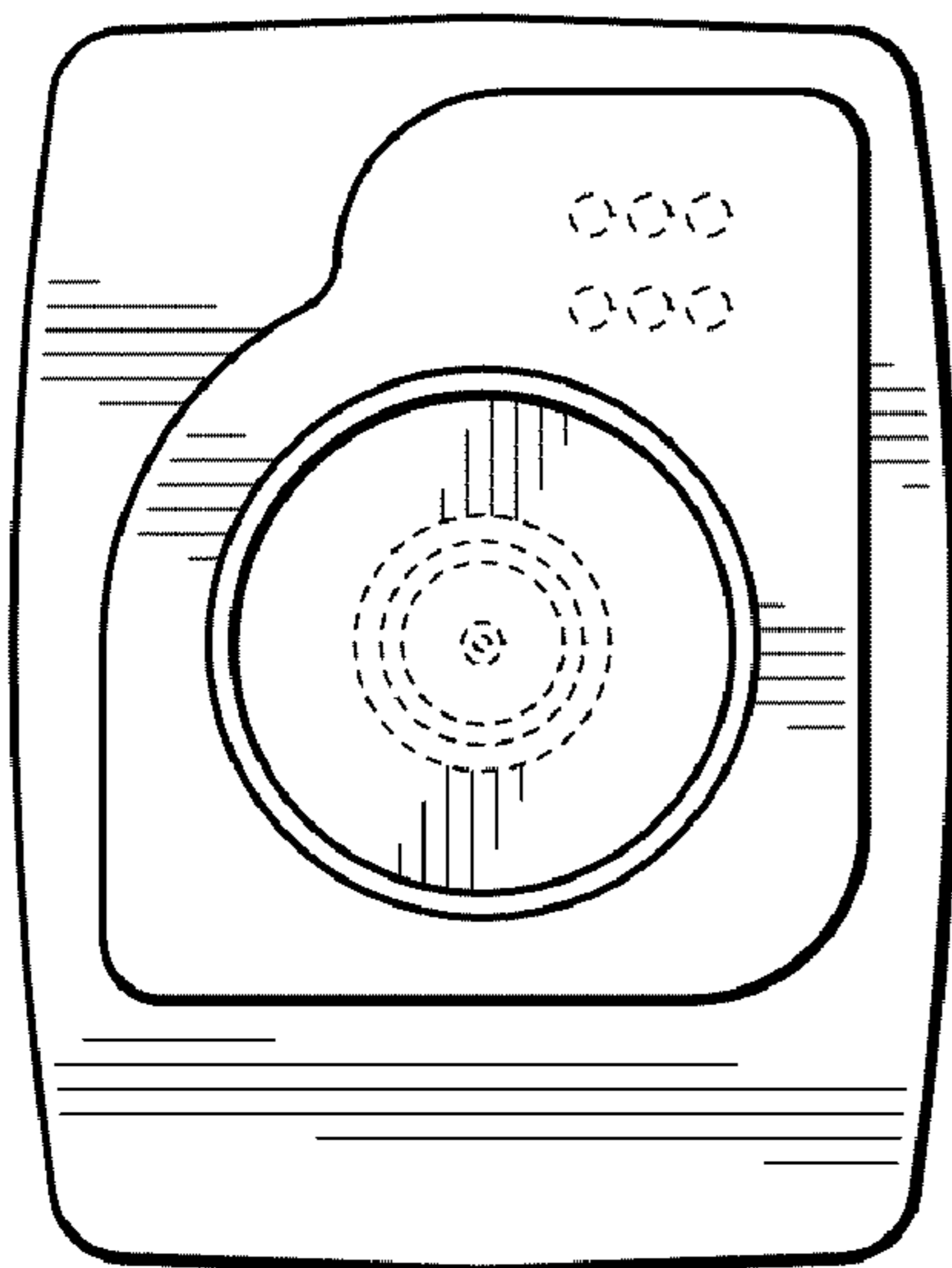


Figure 47

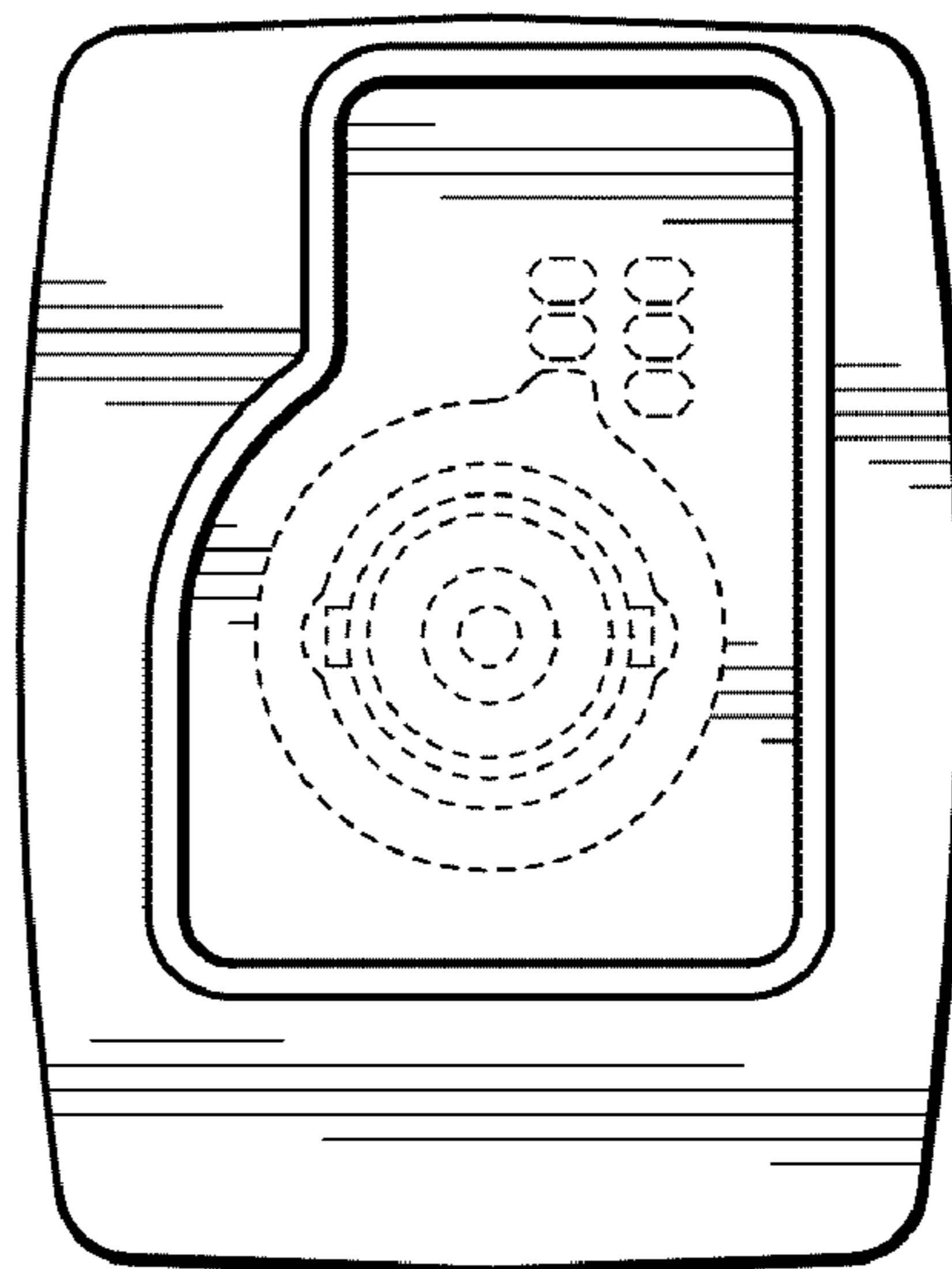
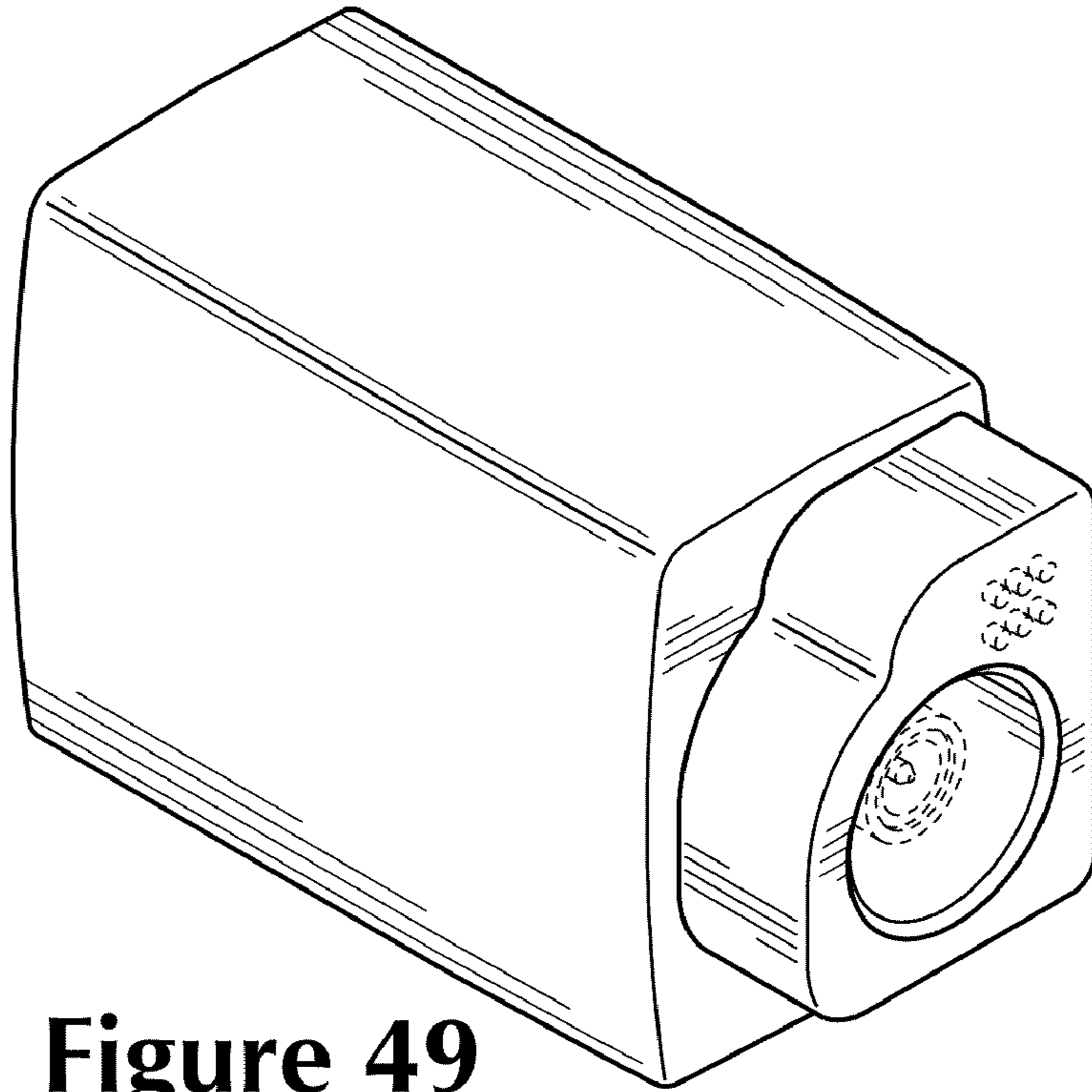
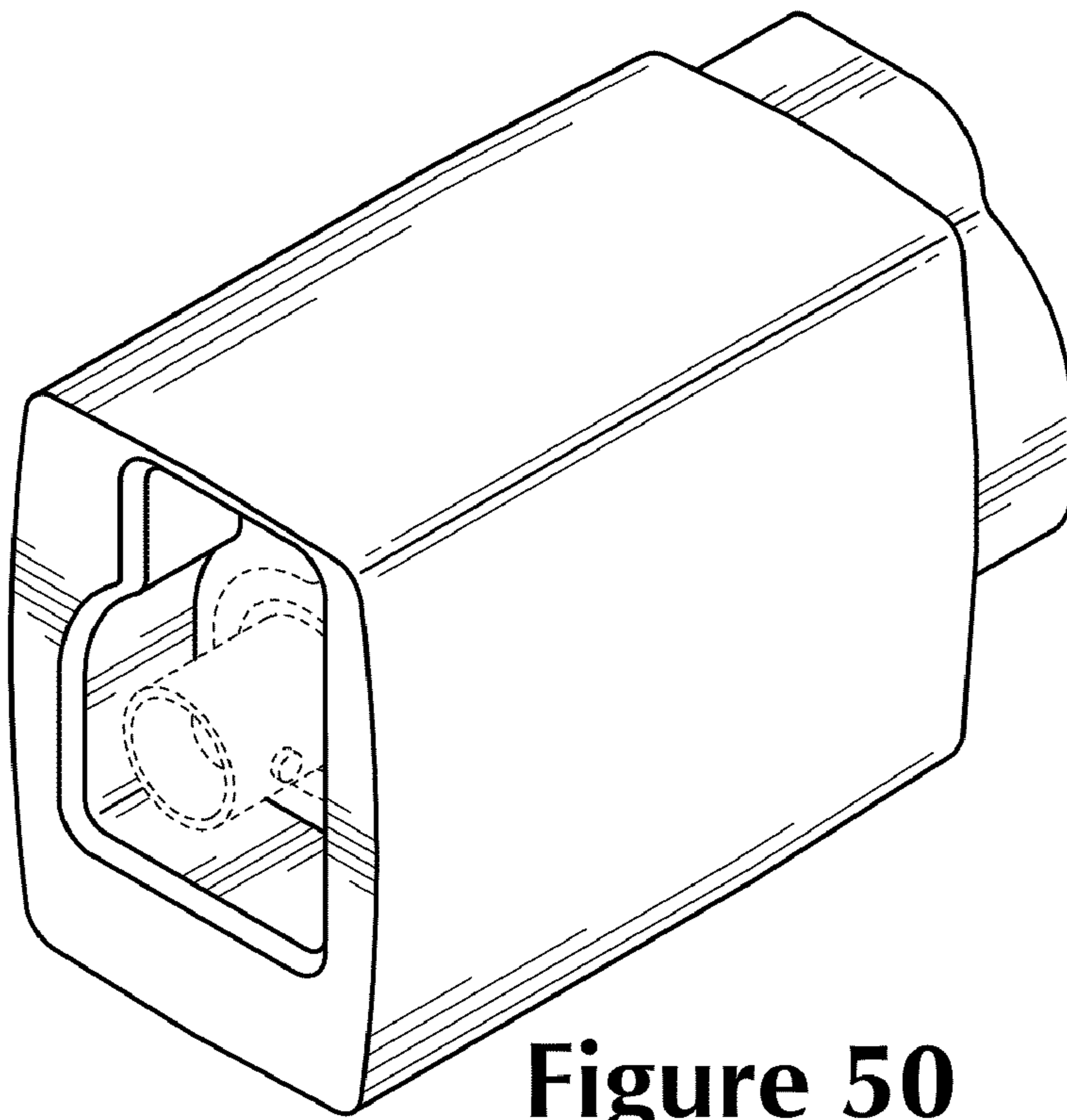


Figure 48

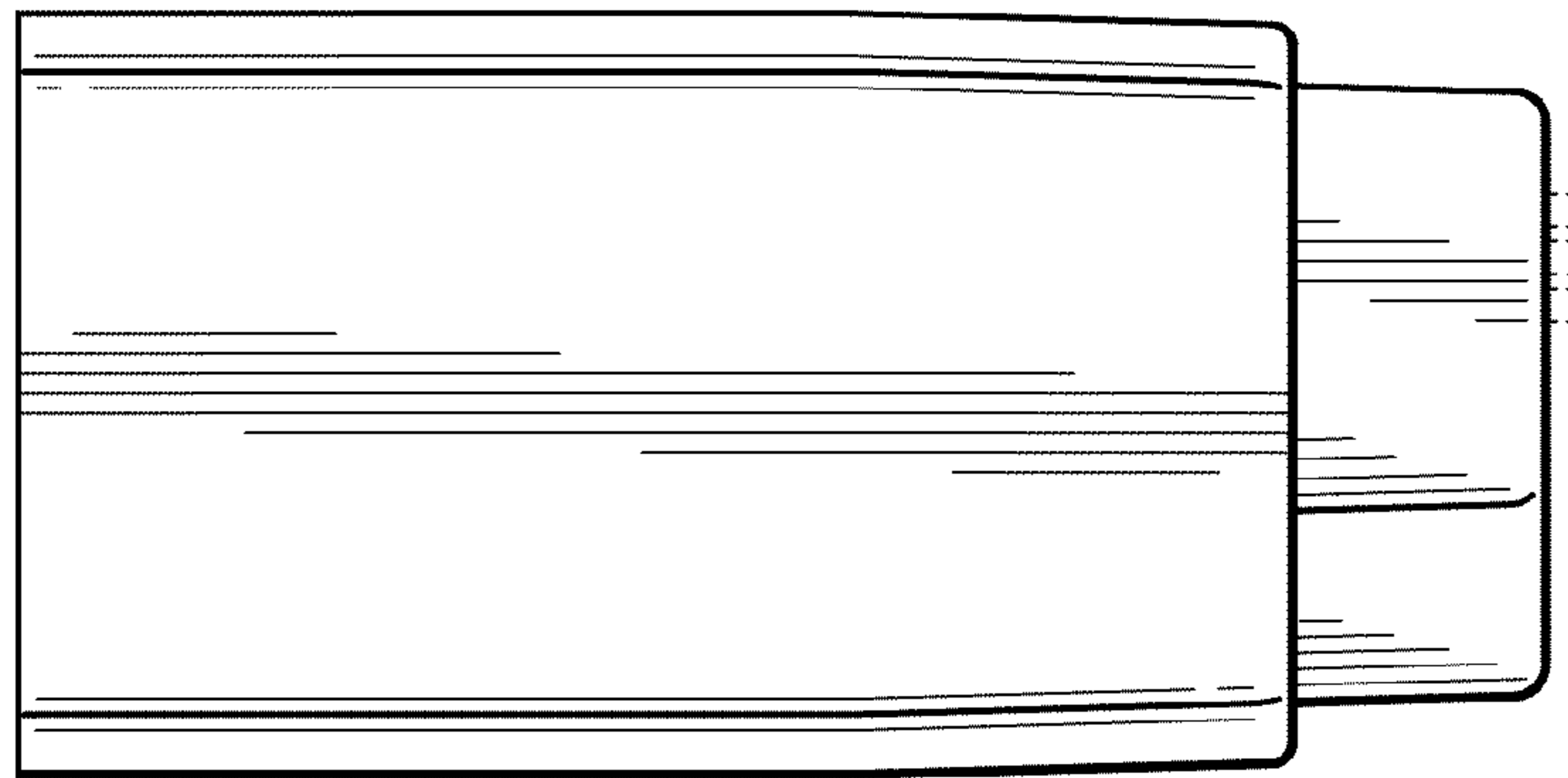




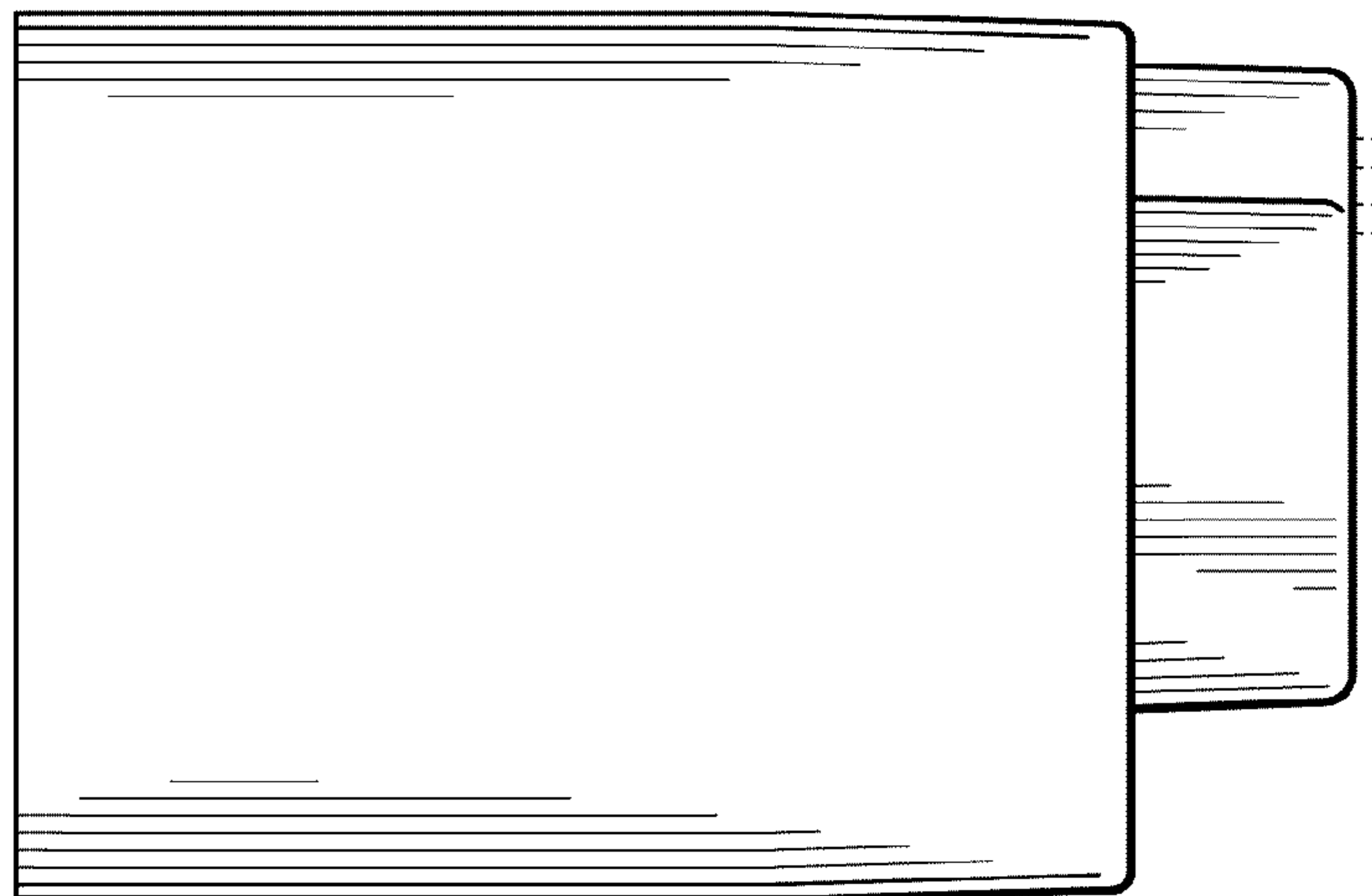
**Figure 49**



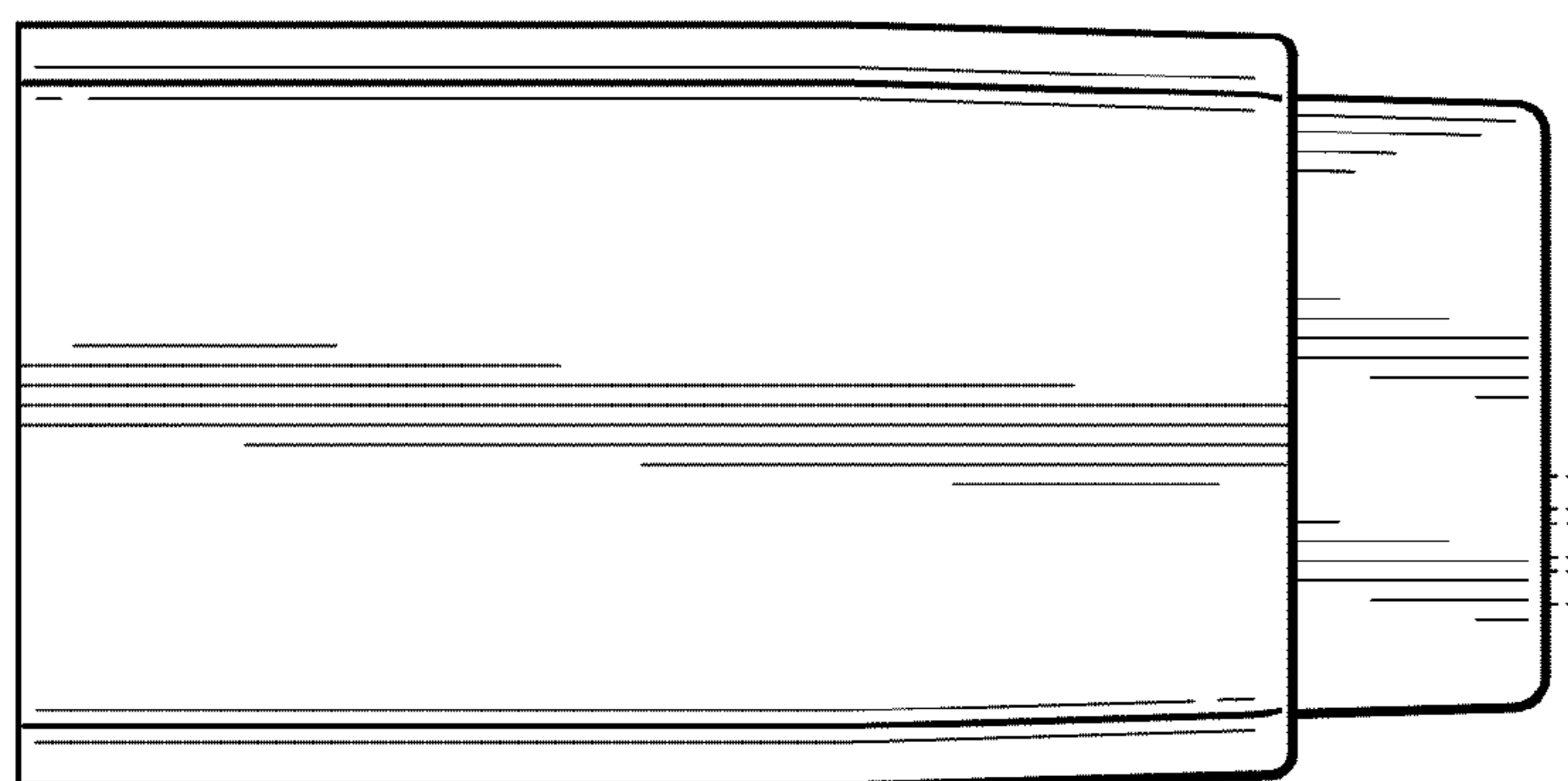
**Figure 50**



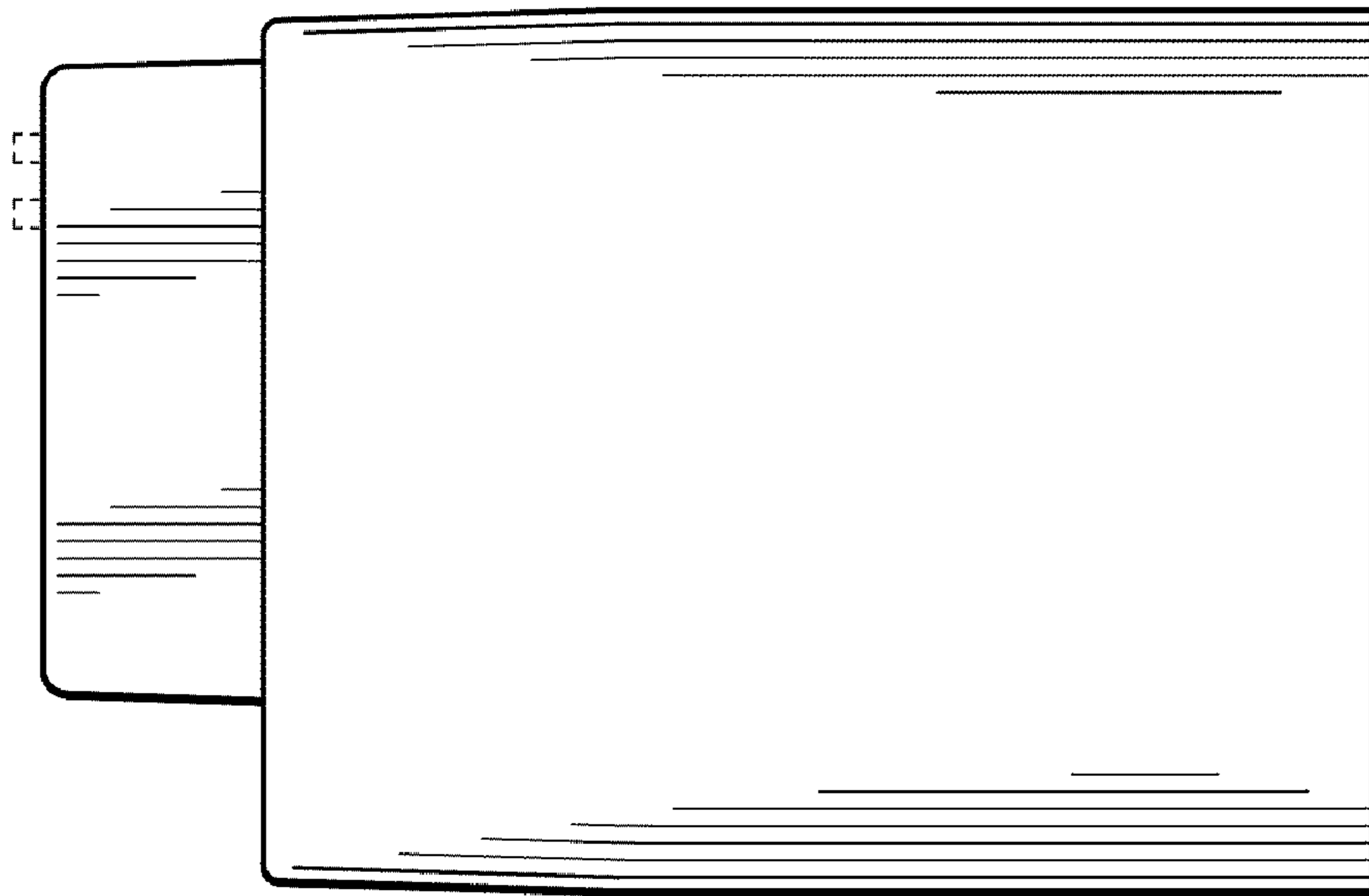
**Figure 51**



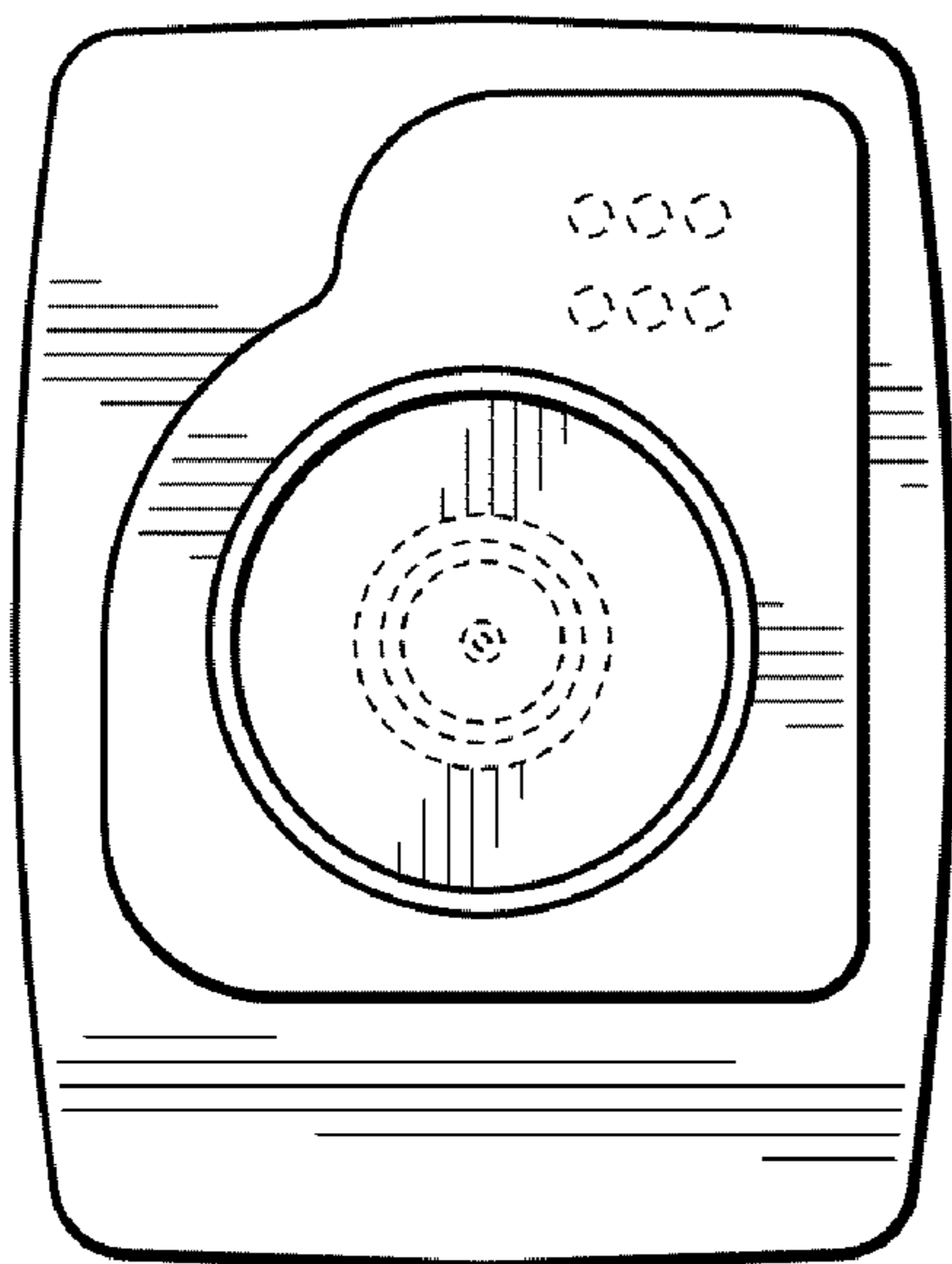
**Figure 52**



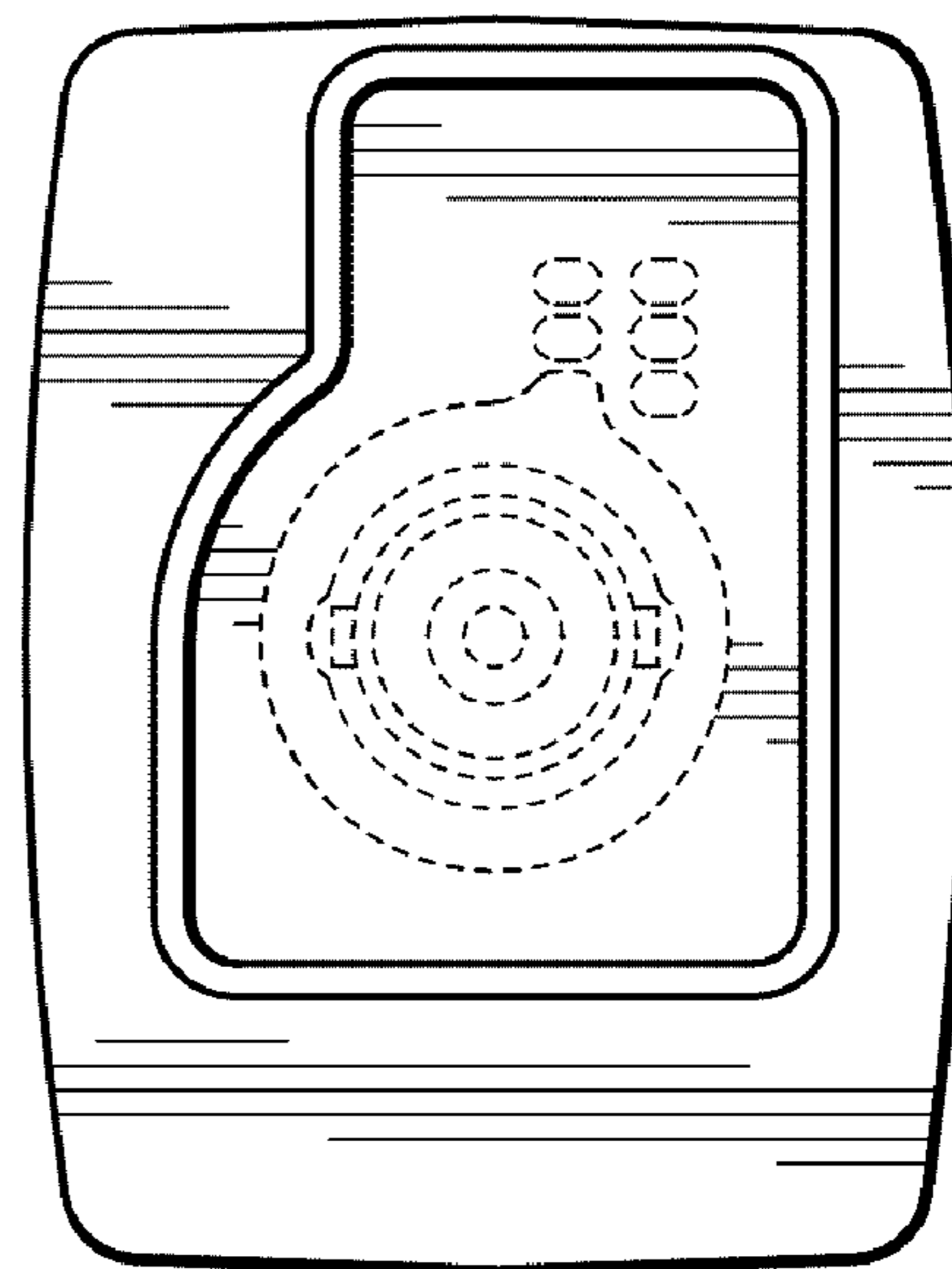
**Figure 53**



**Figure 54**

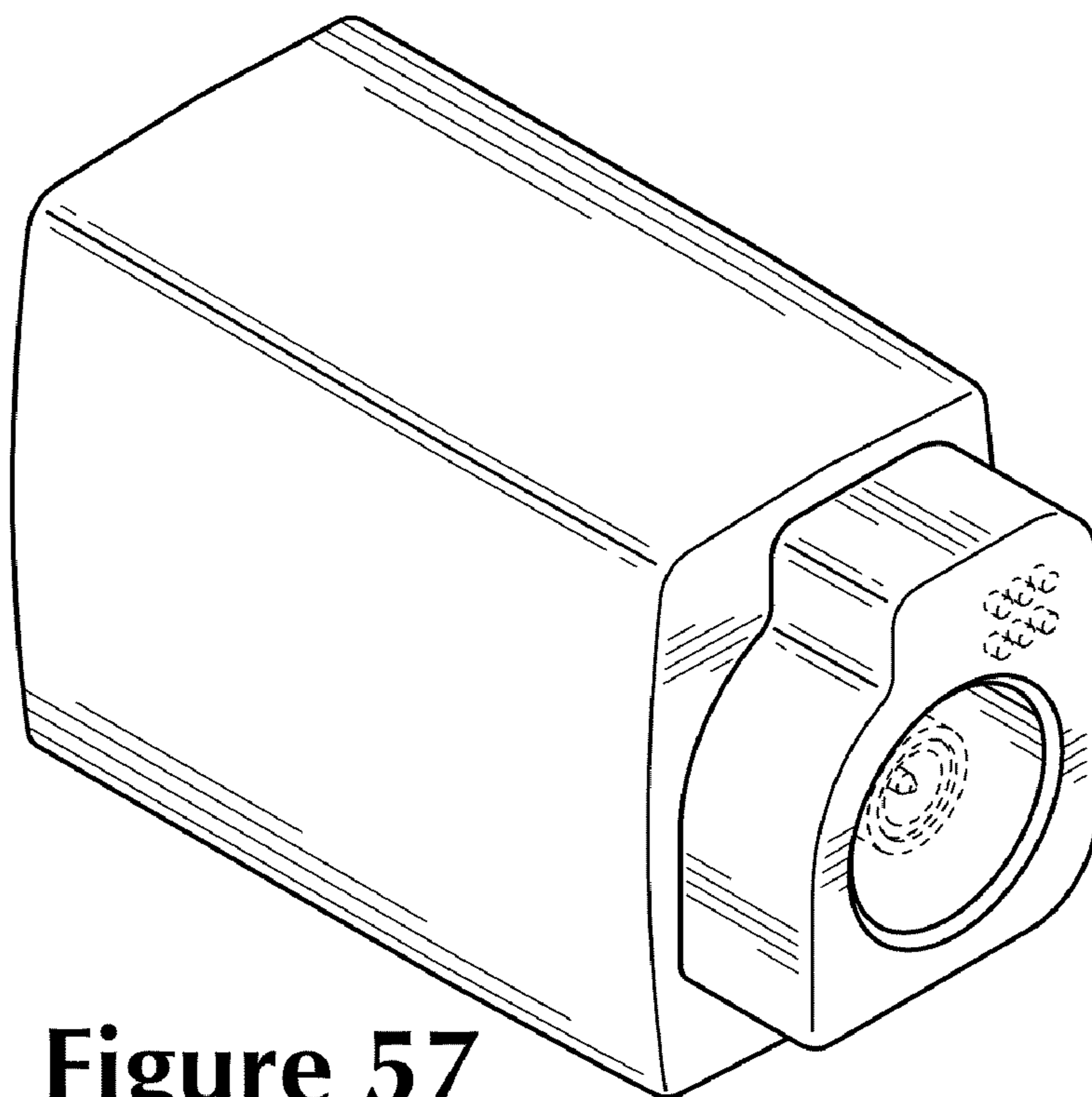


**Figure 55**

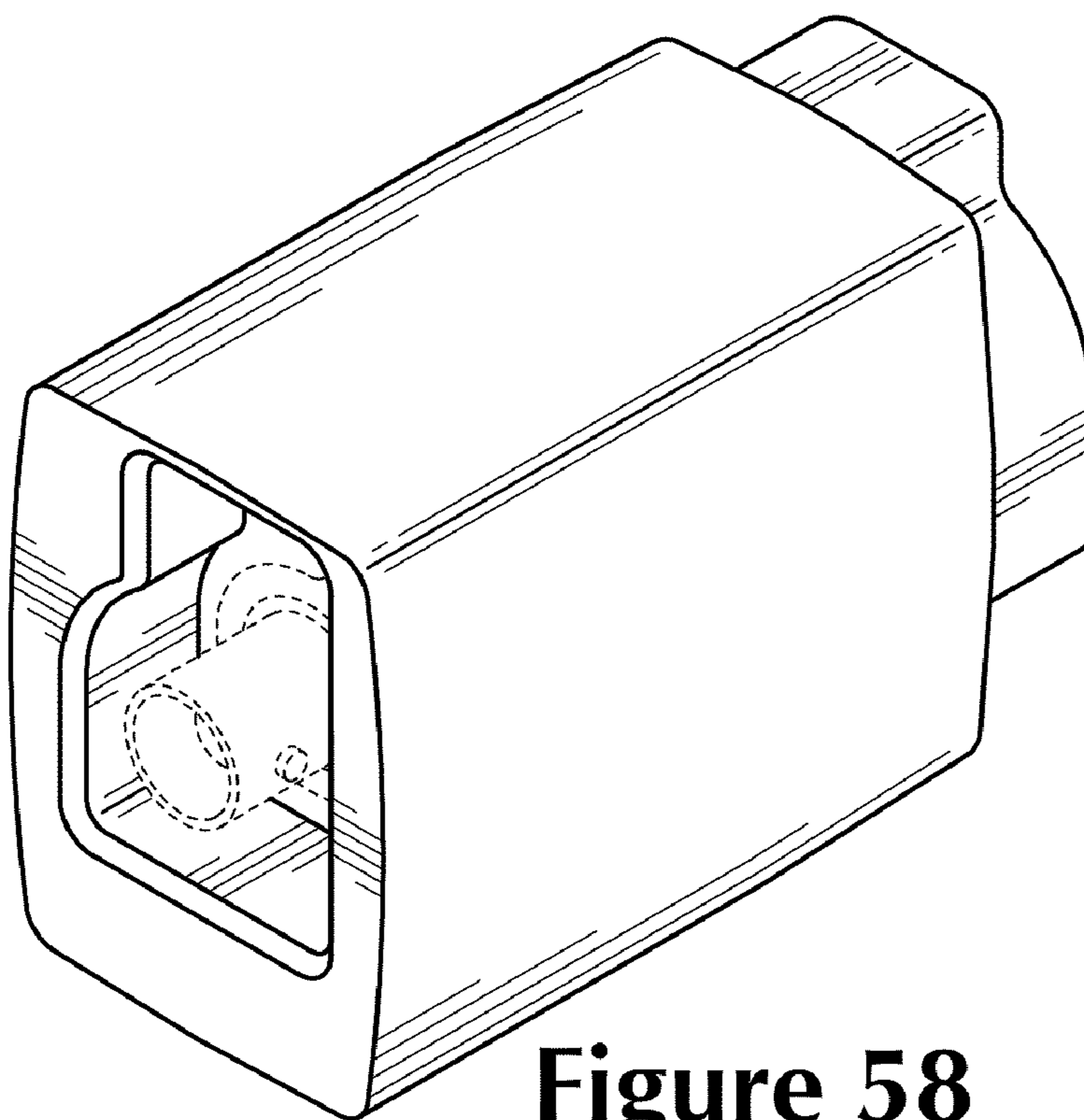


**Figure 56**

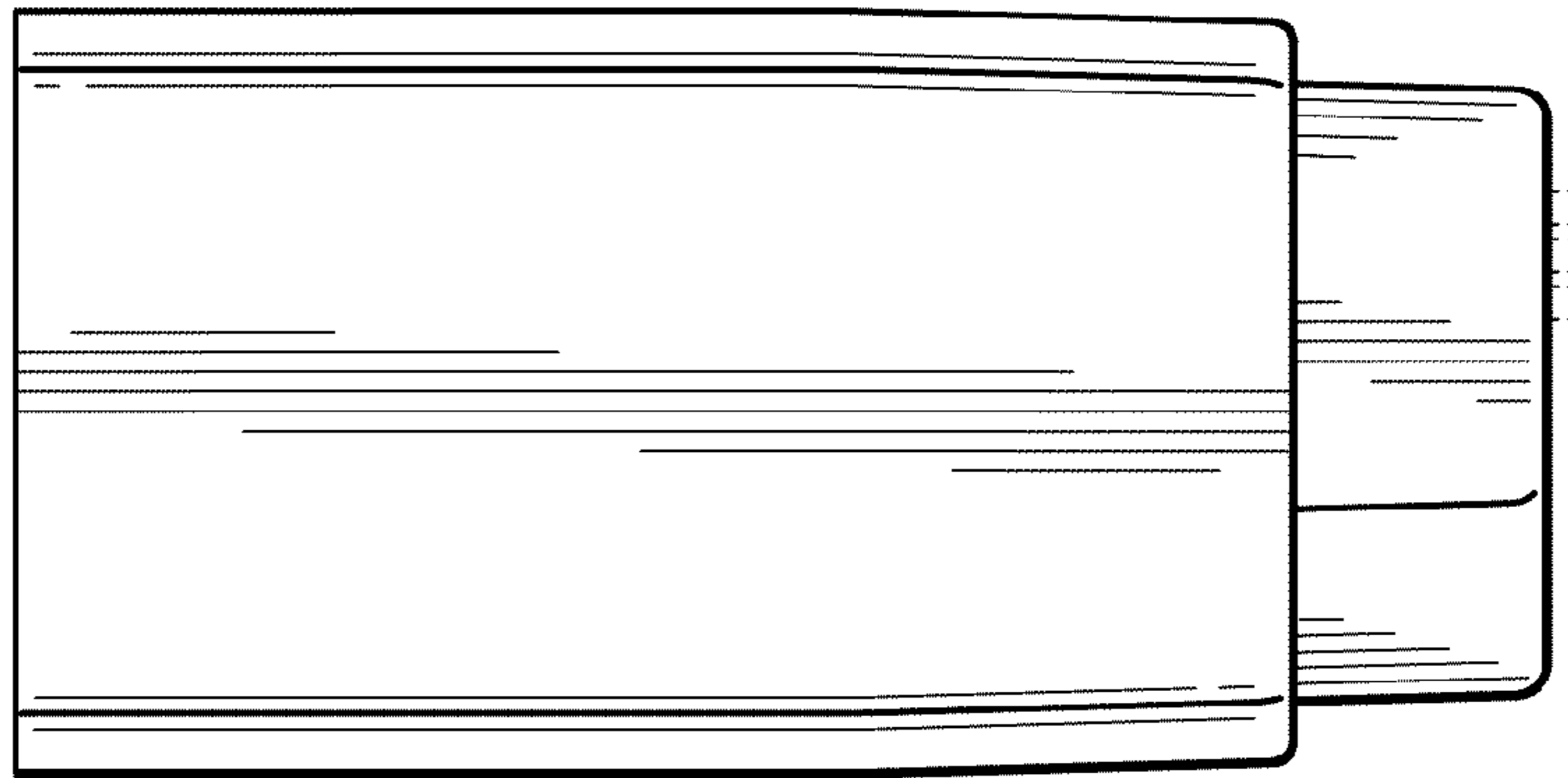




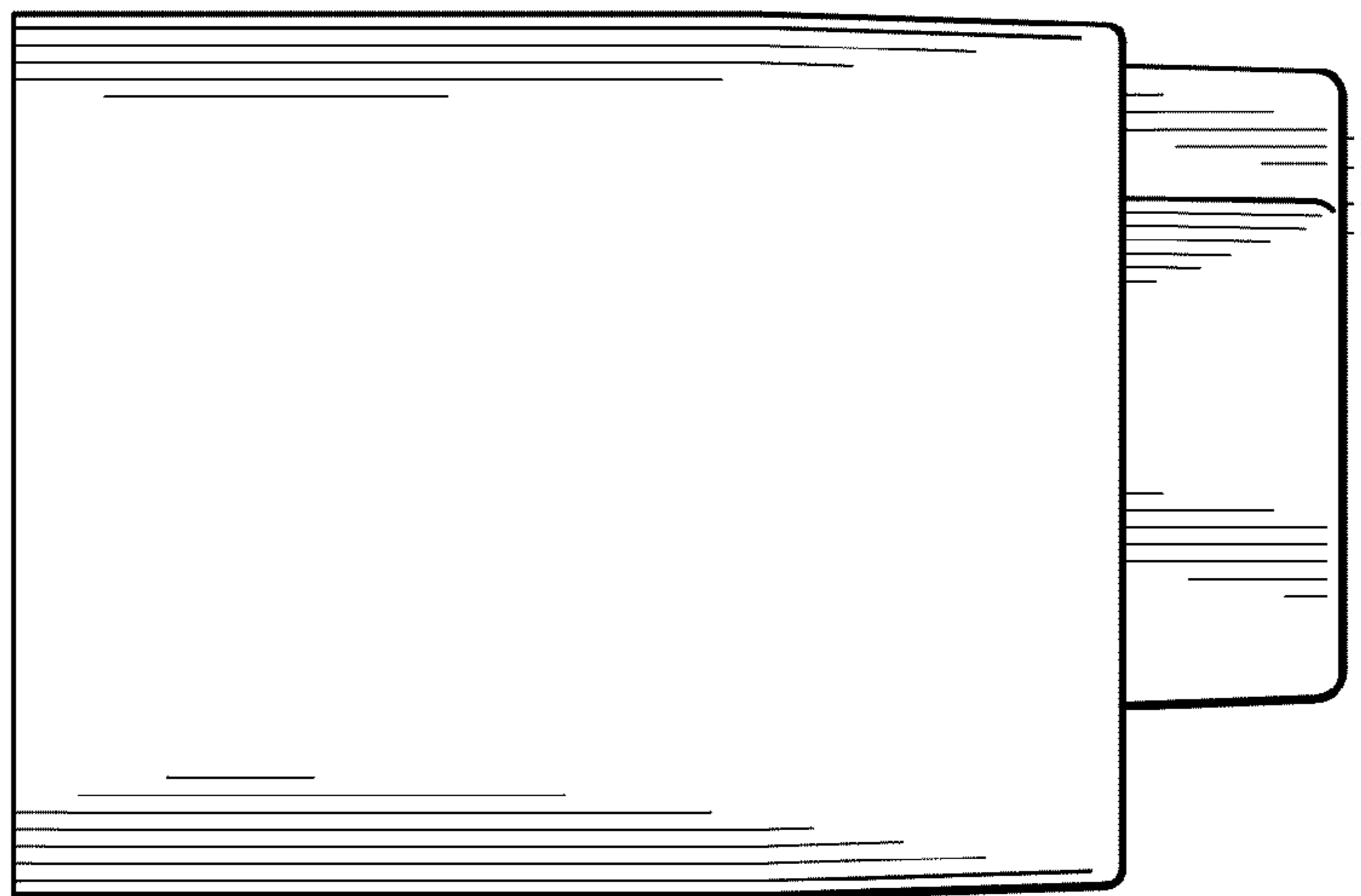
**Figure 57**



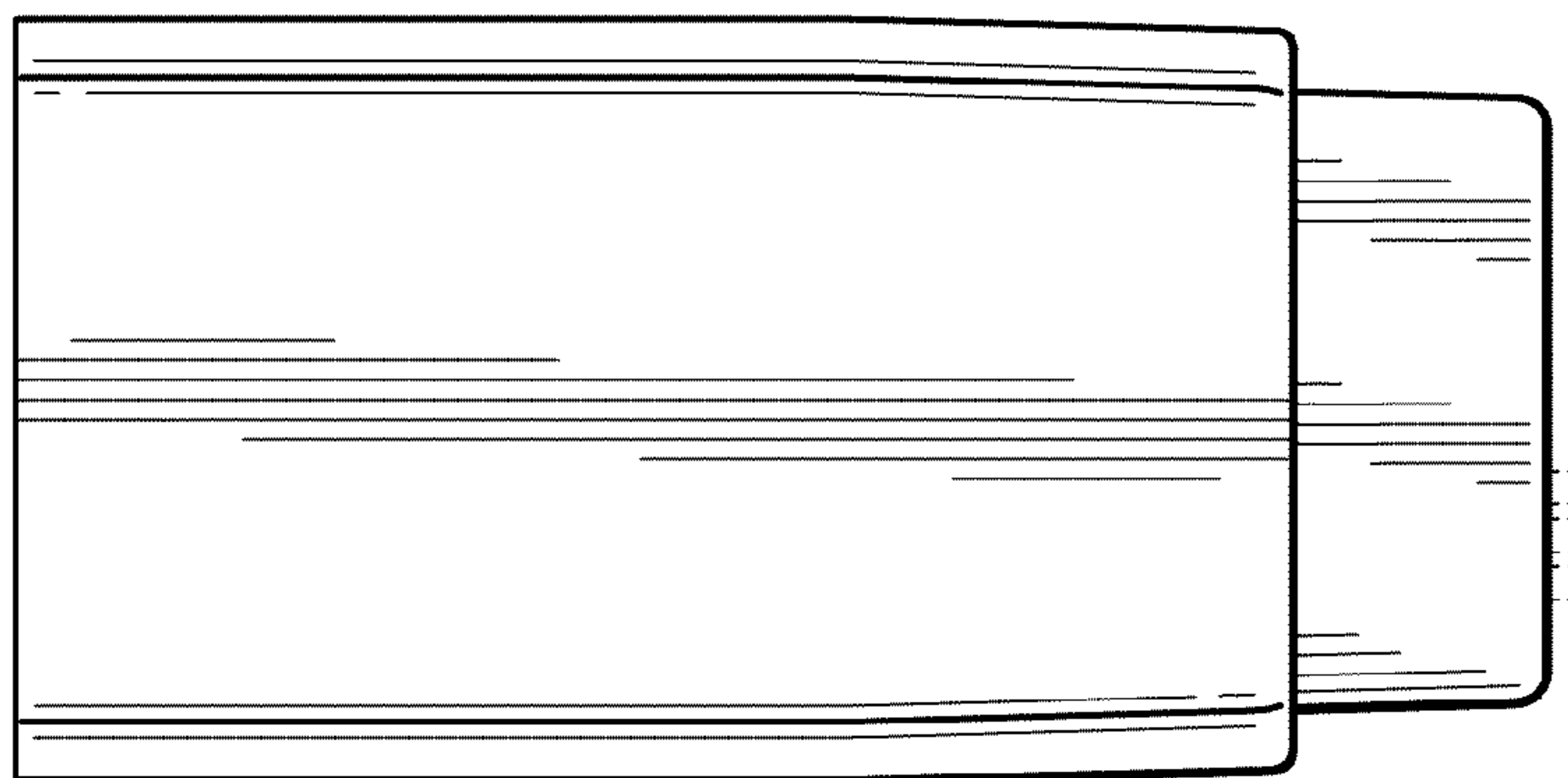
**Figure 58**



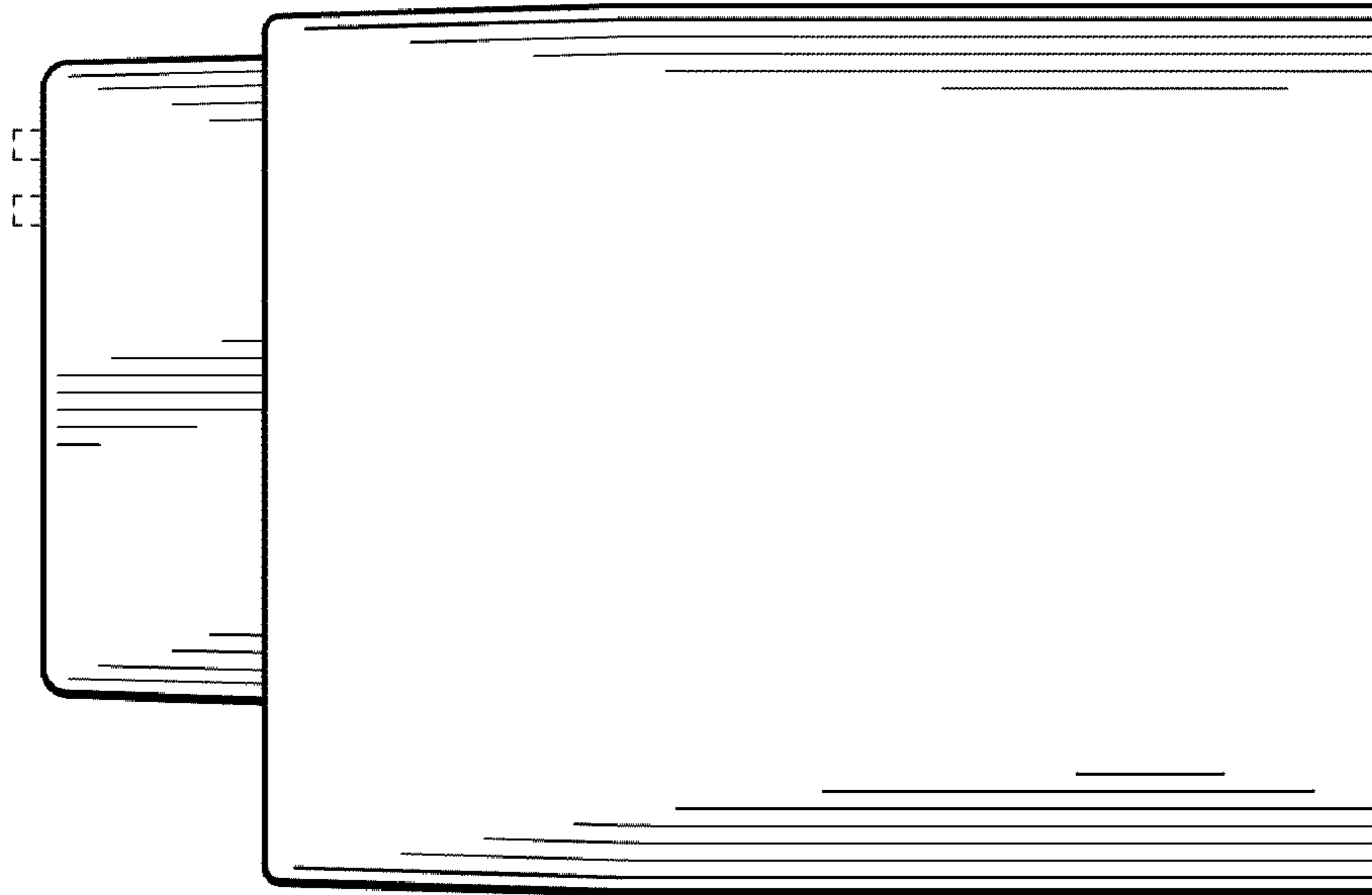
**Figure 59**



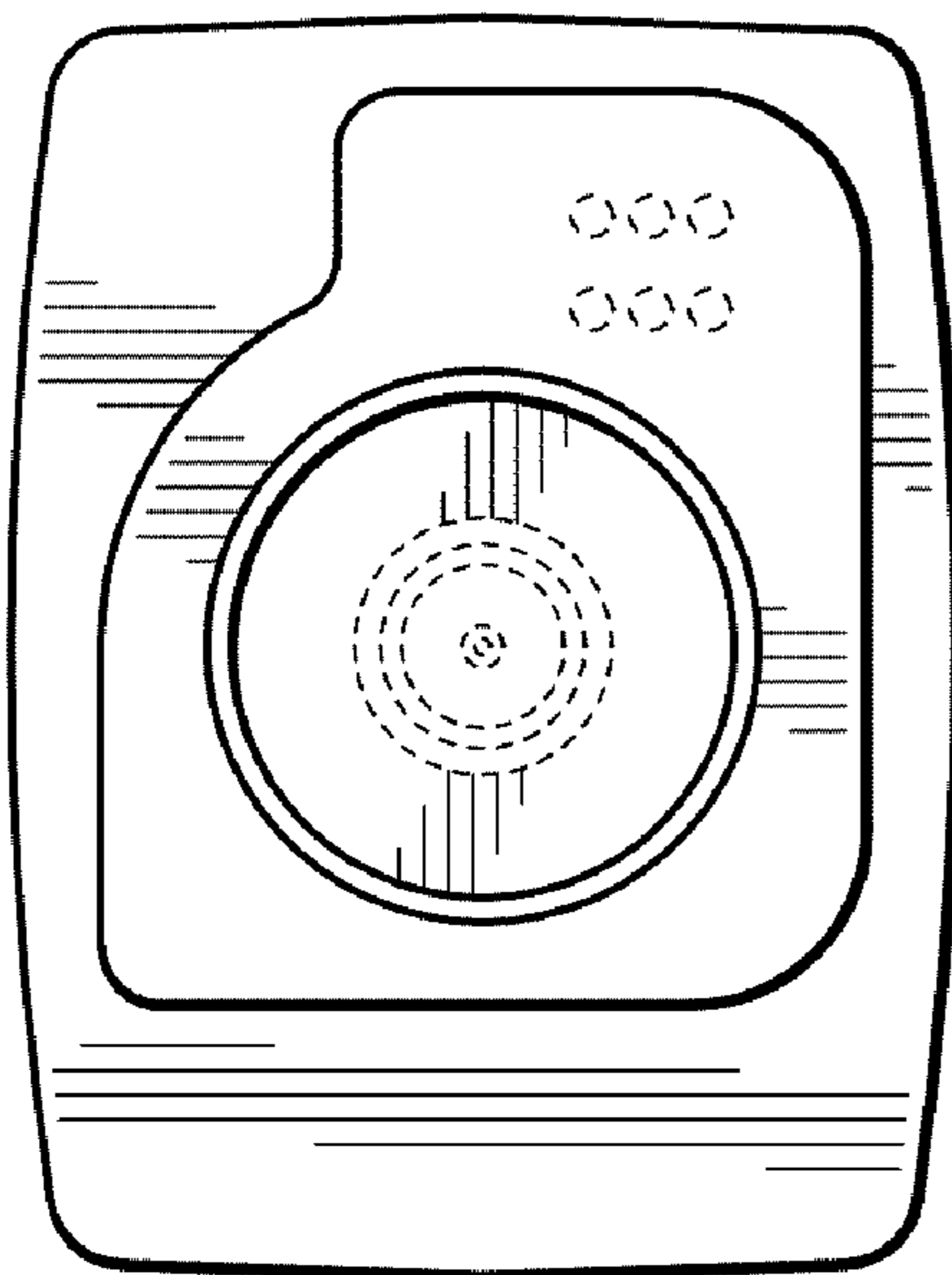
**Figure 60**



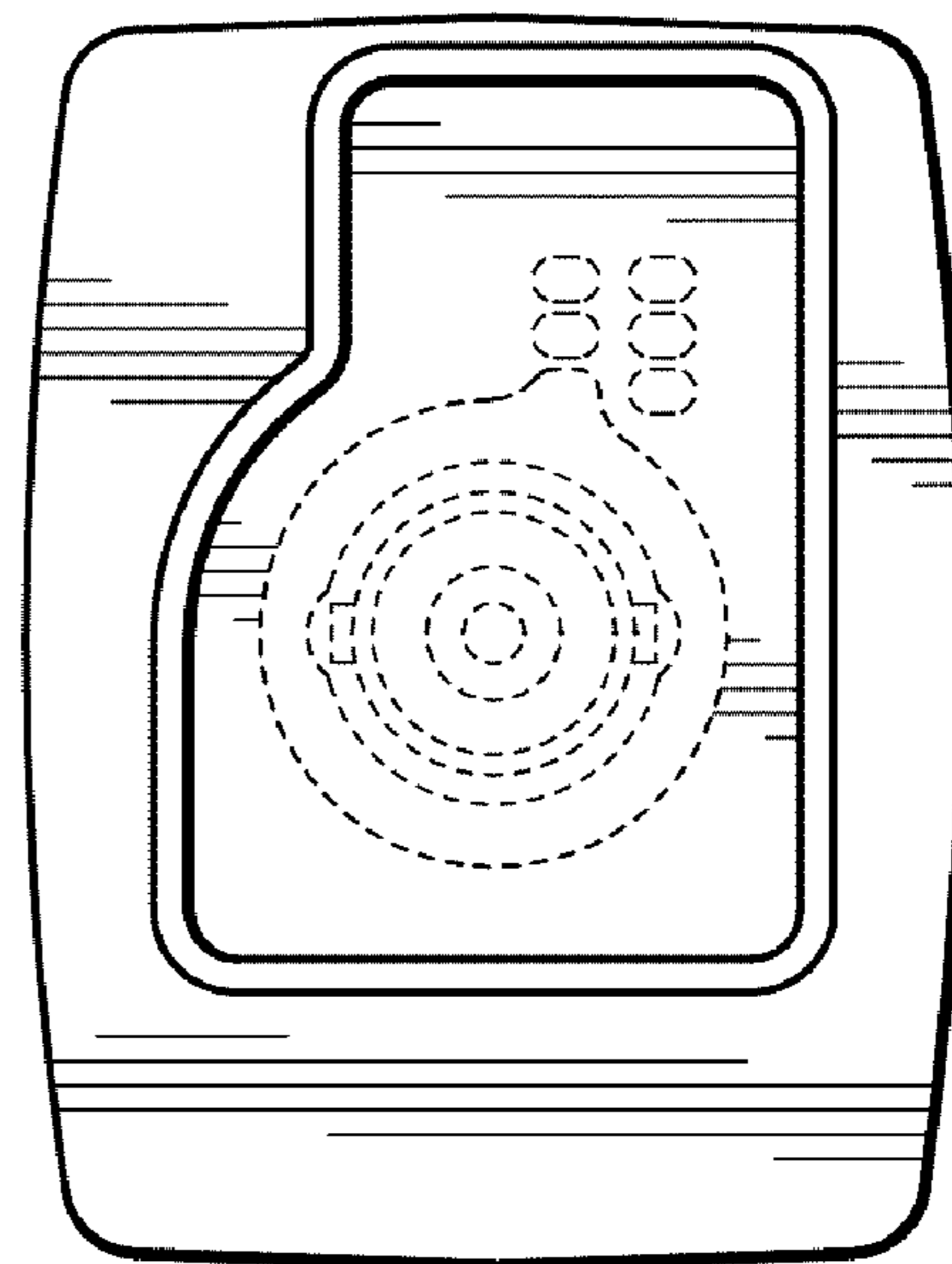
**Figure 61**



**Figure 62**

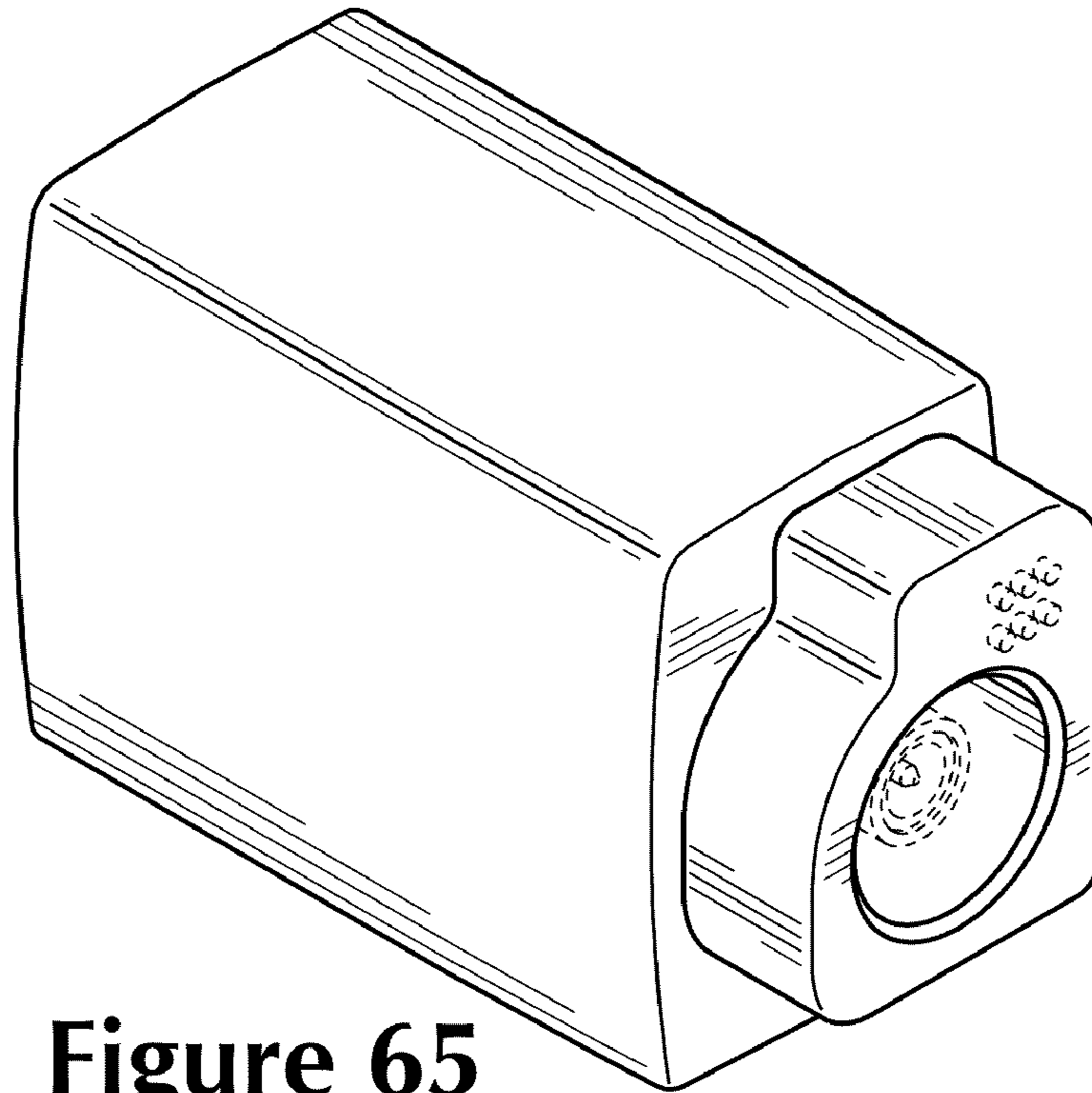


**Figure 63**

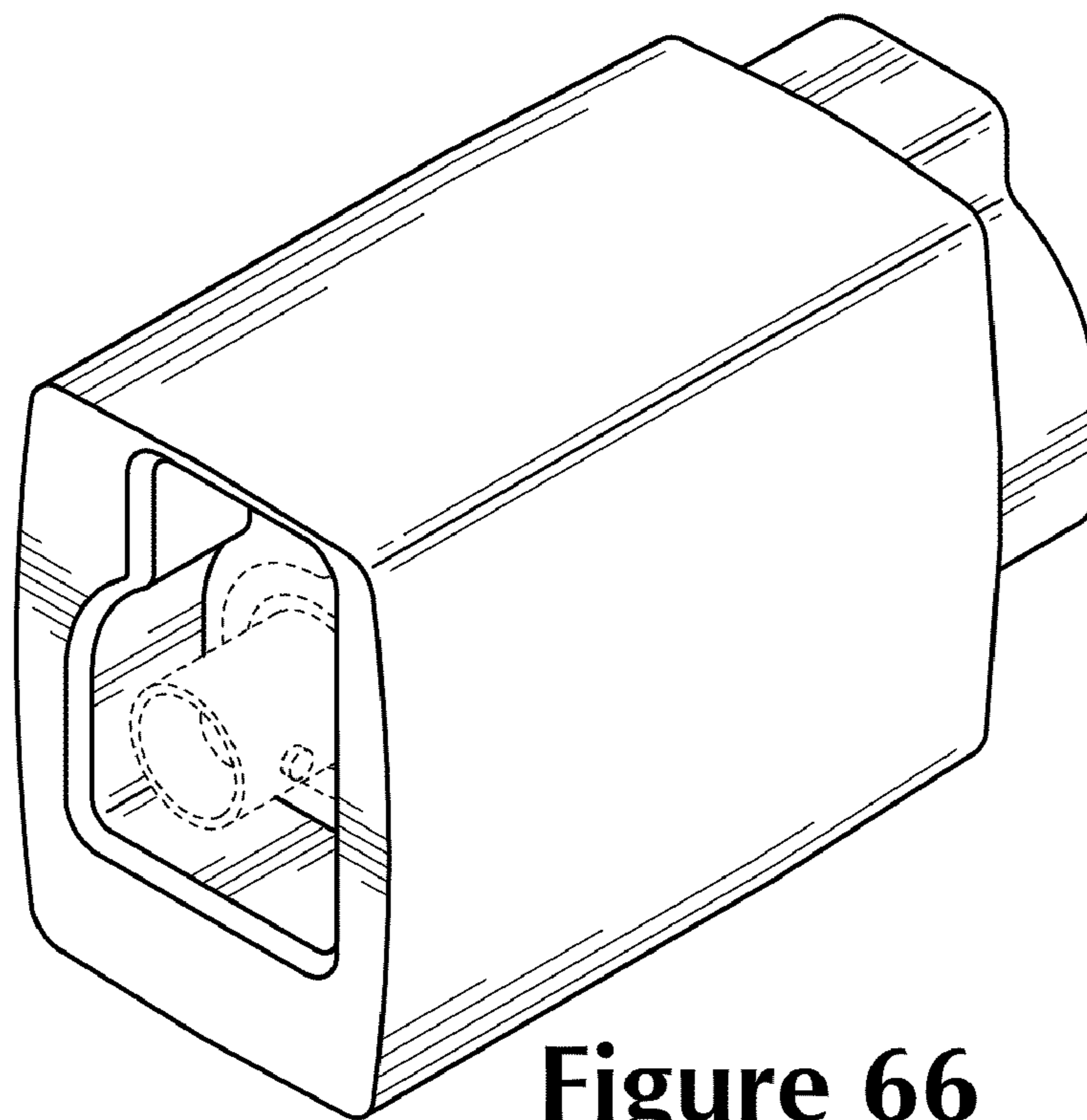


**Figure 64**

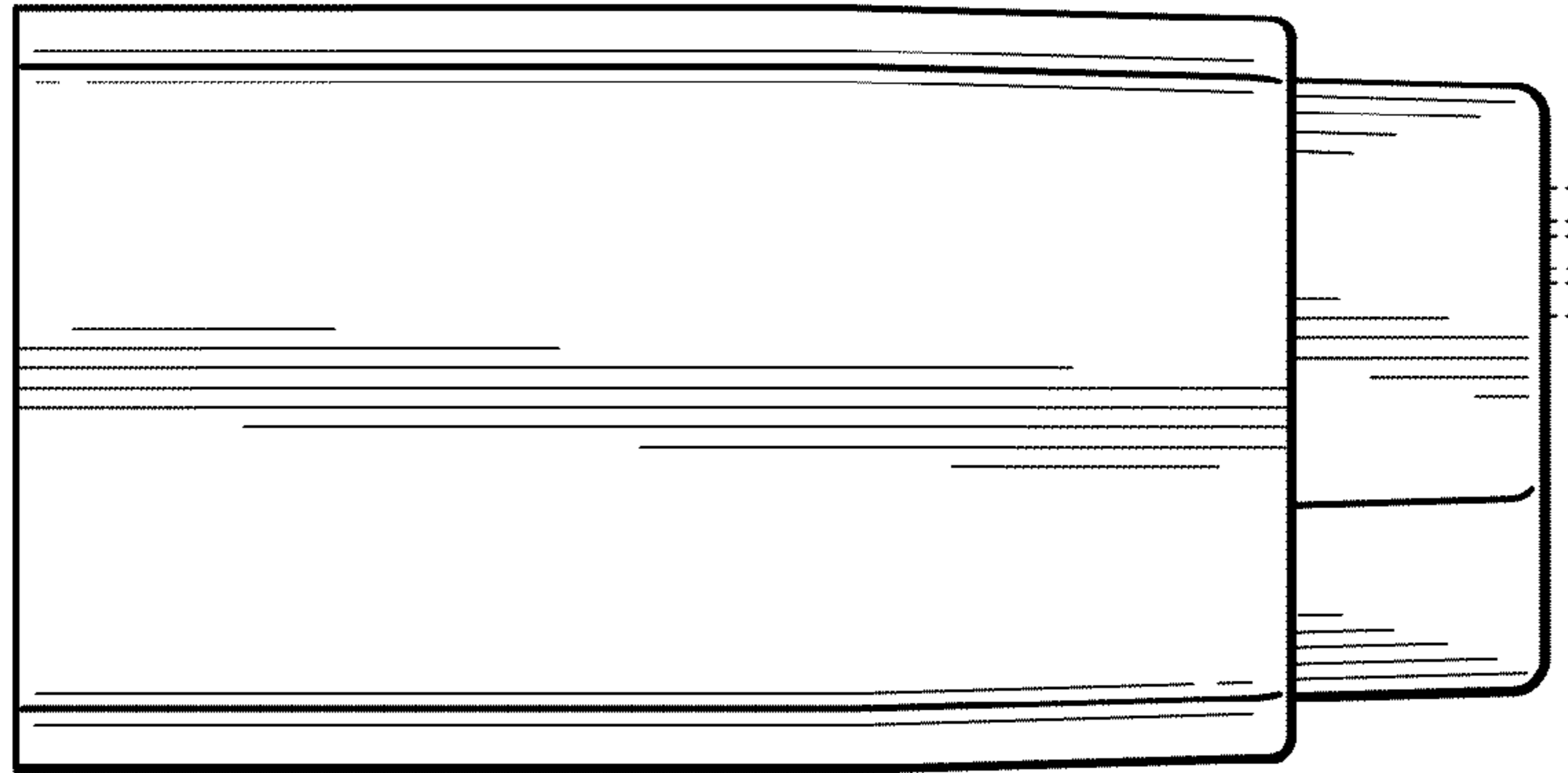




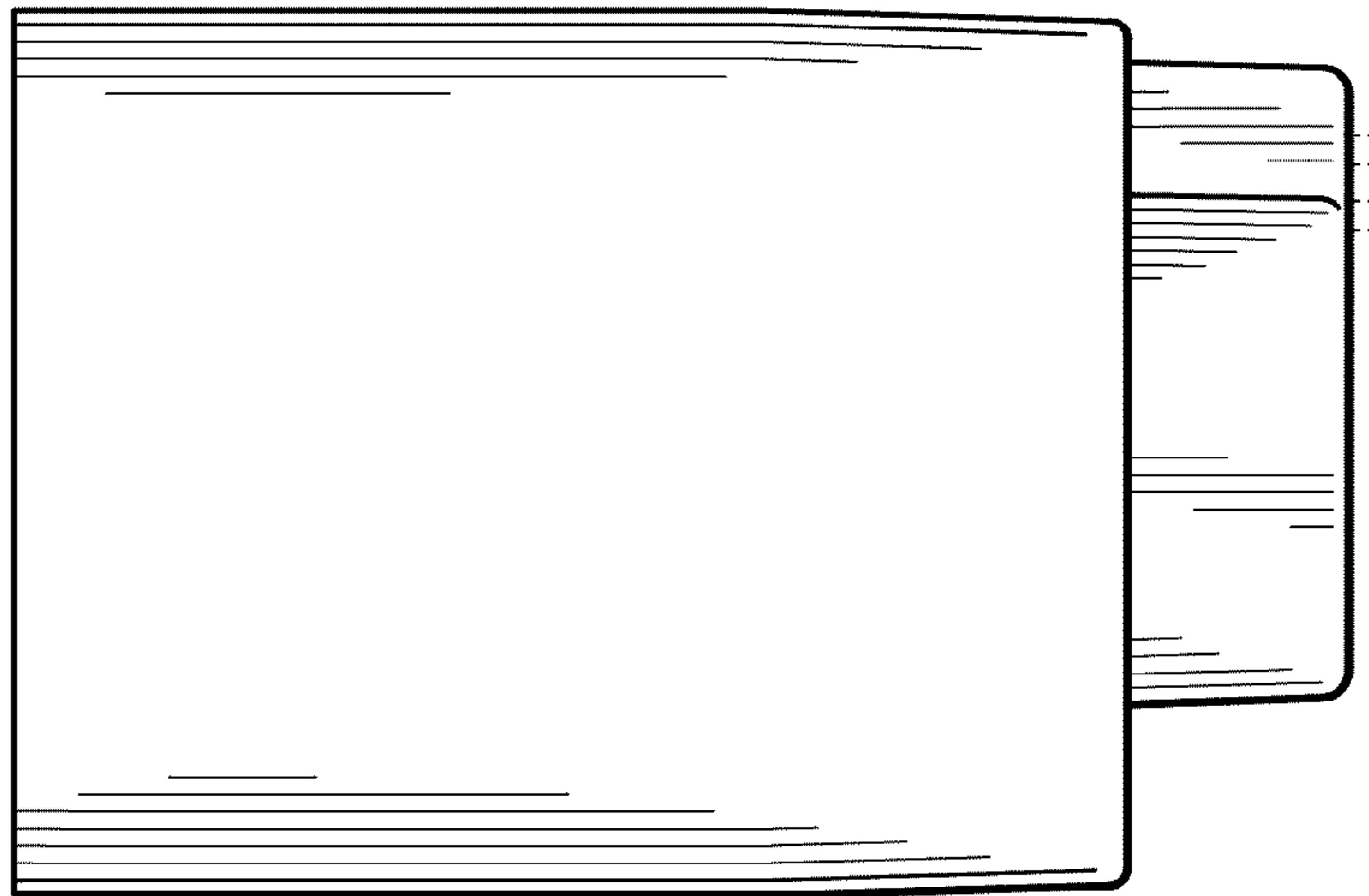
**Figure 65**



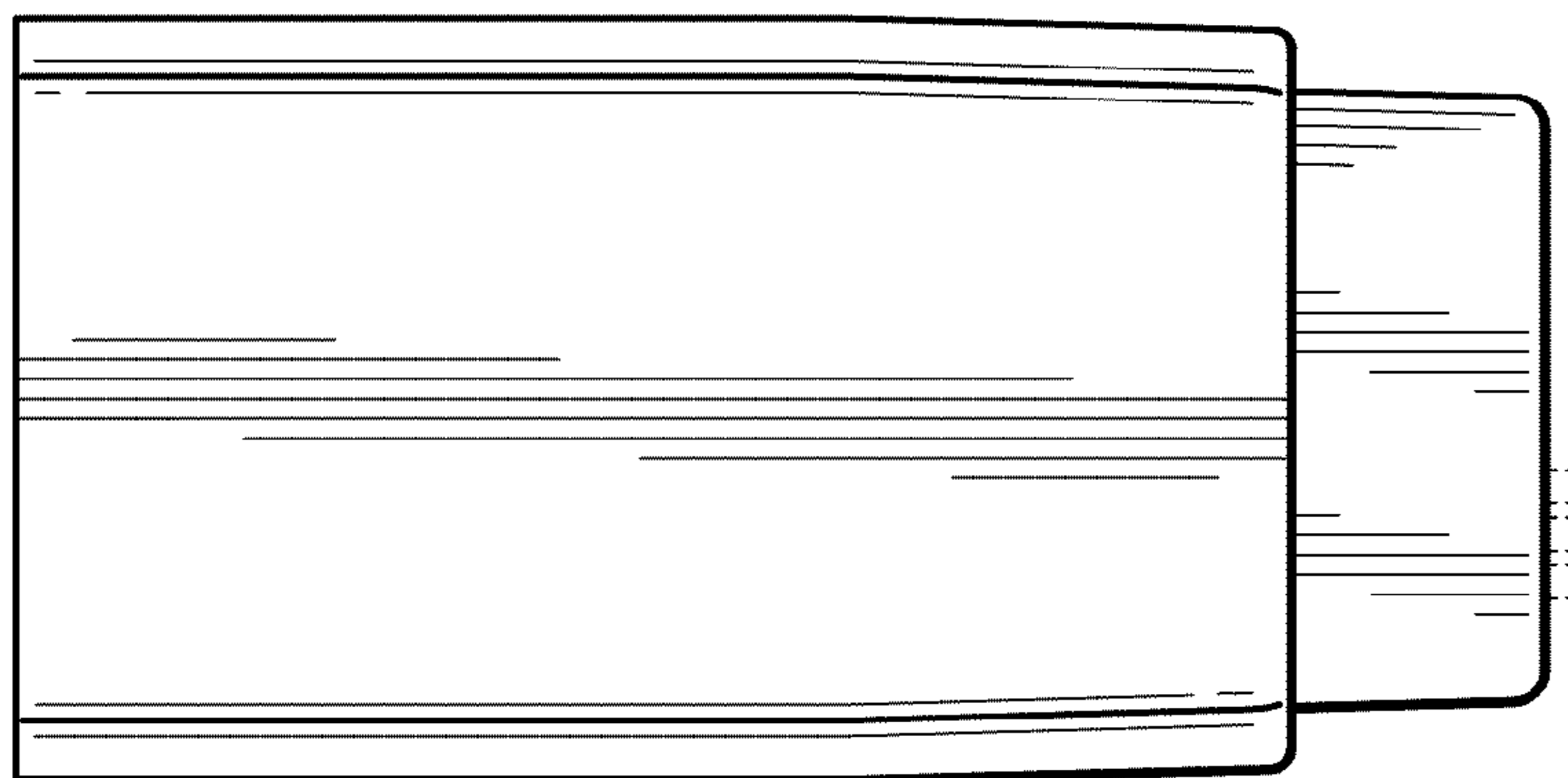
**Figure 66**



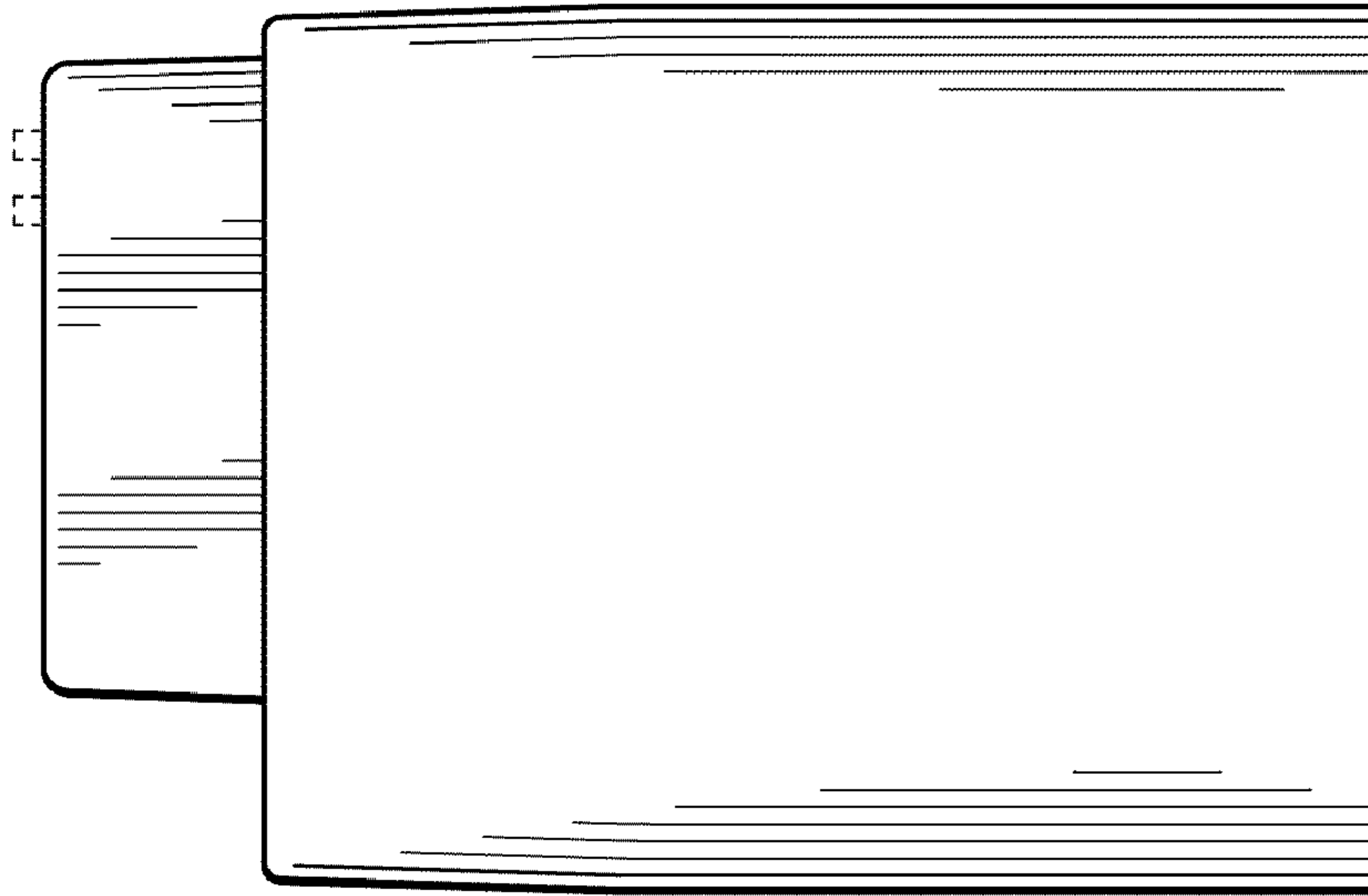
**Figure 67**



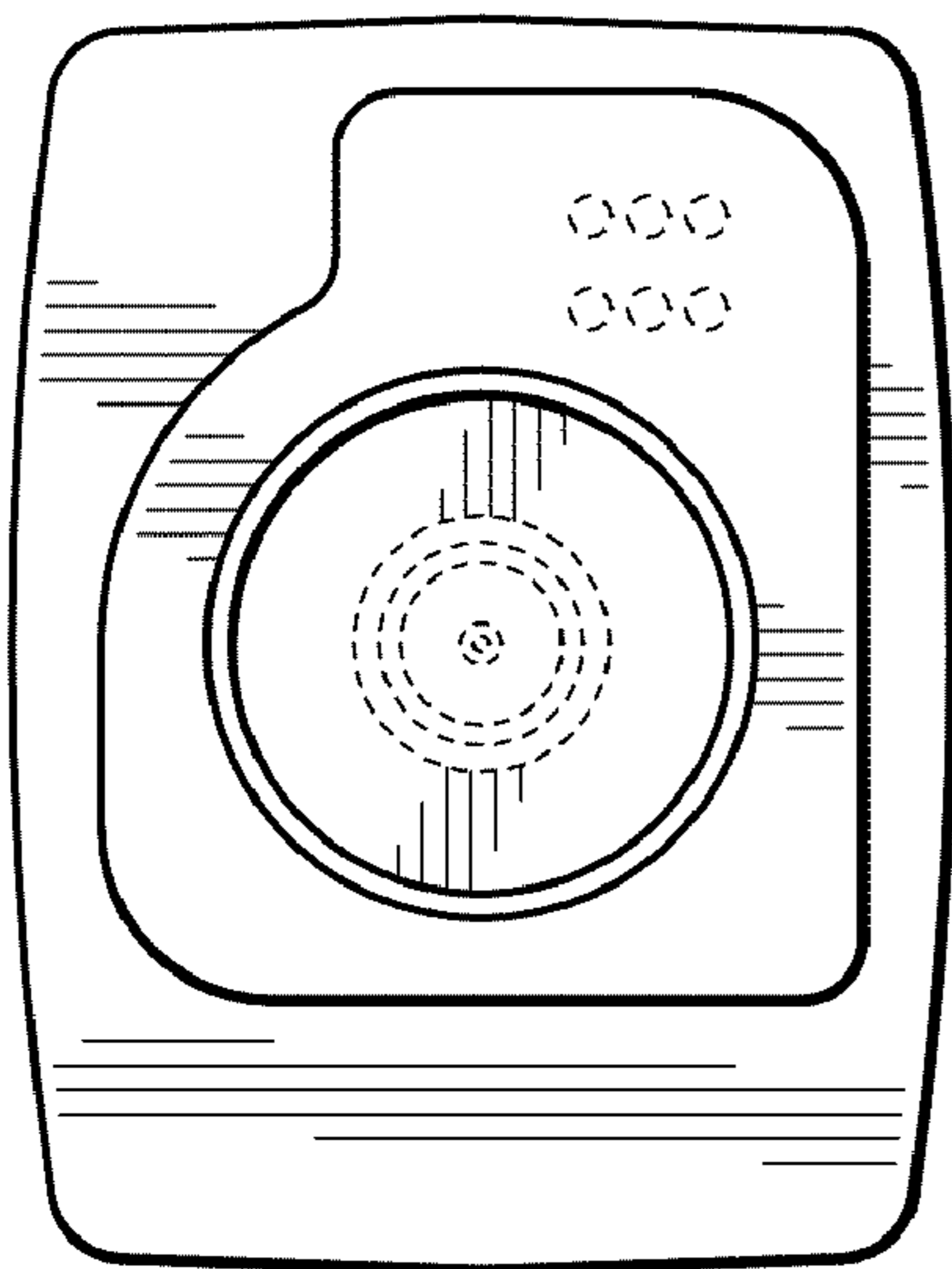
**Figure 68**



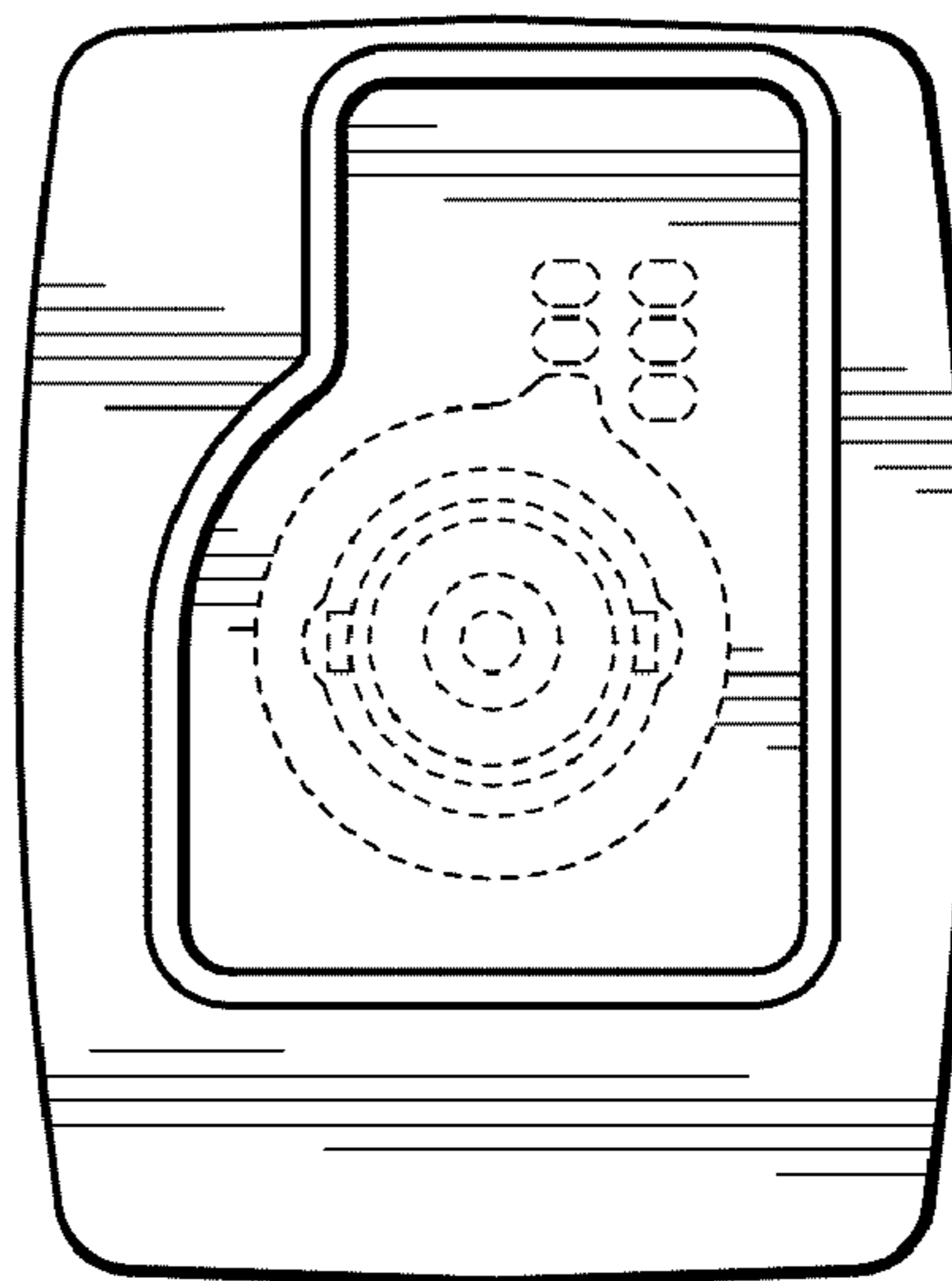
**Figure 69**



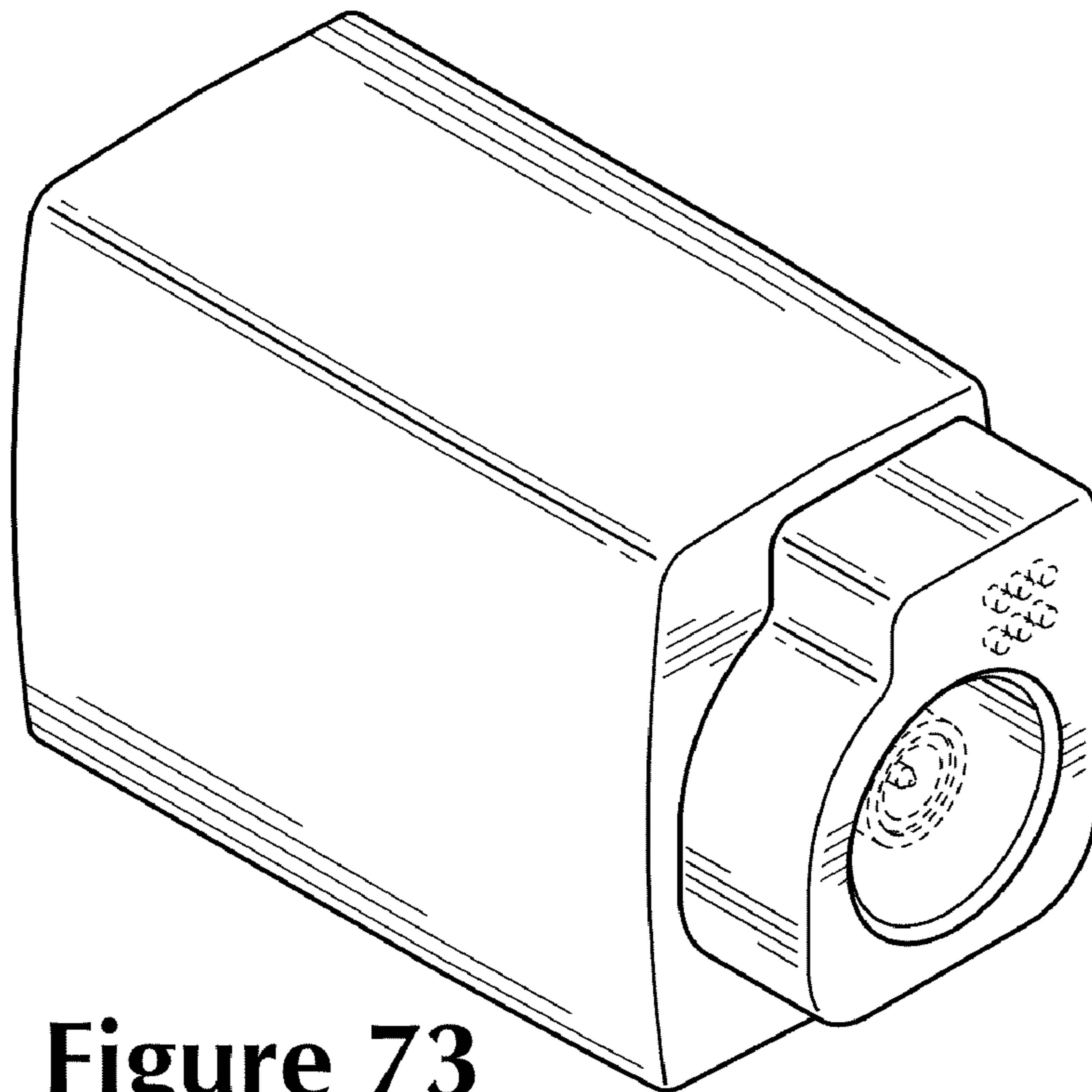
**Figure 70**



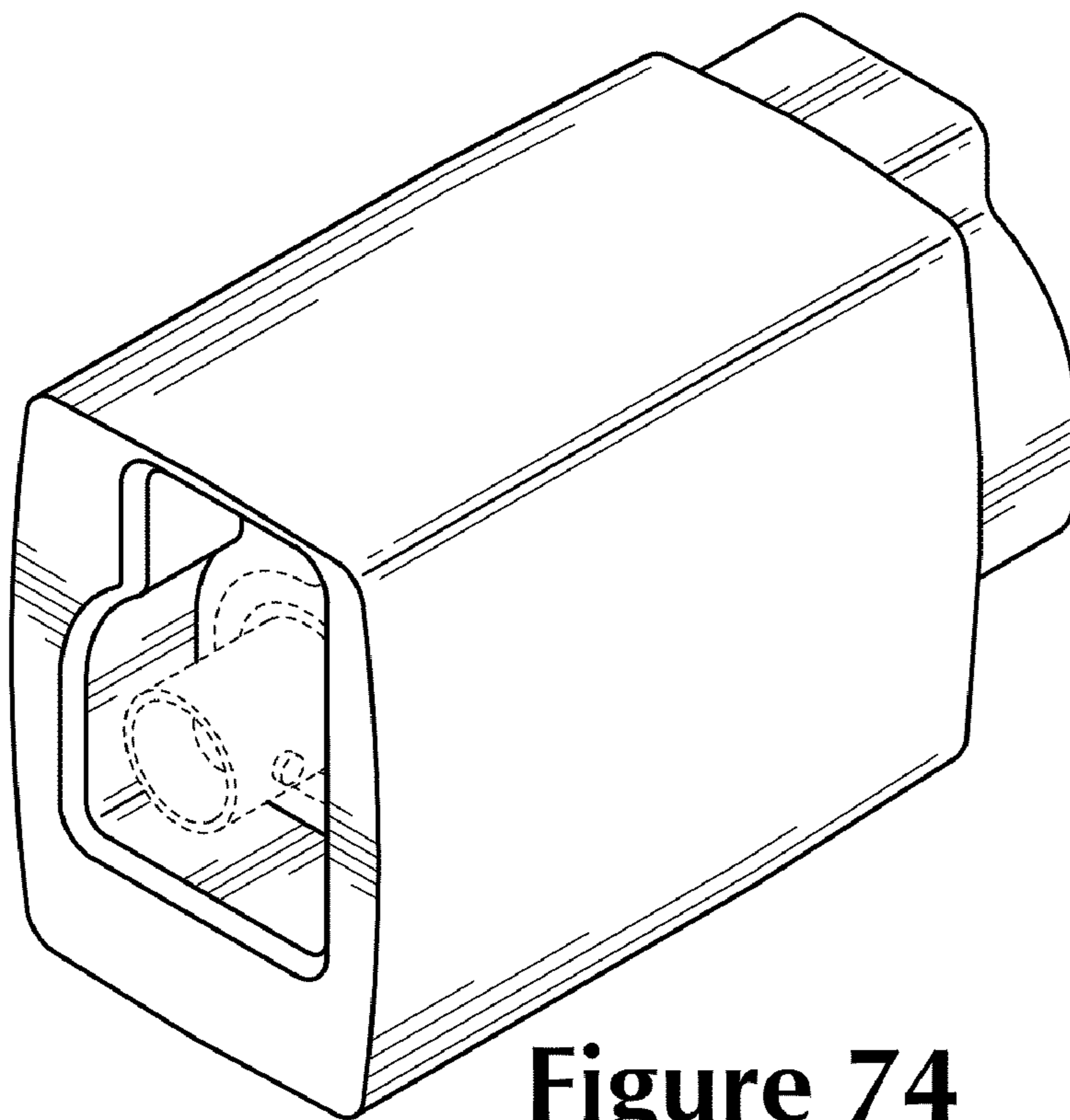
**Figure 71**



**Figure 72**

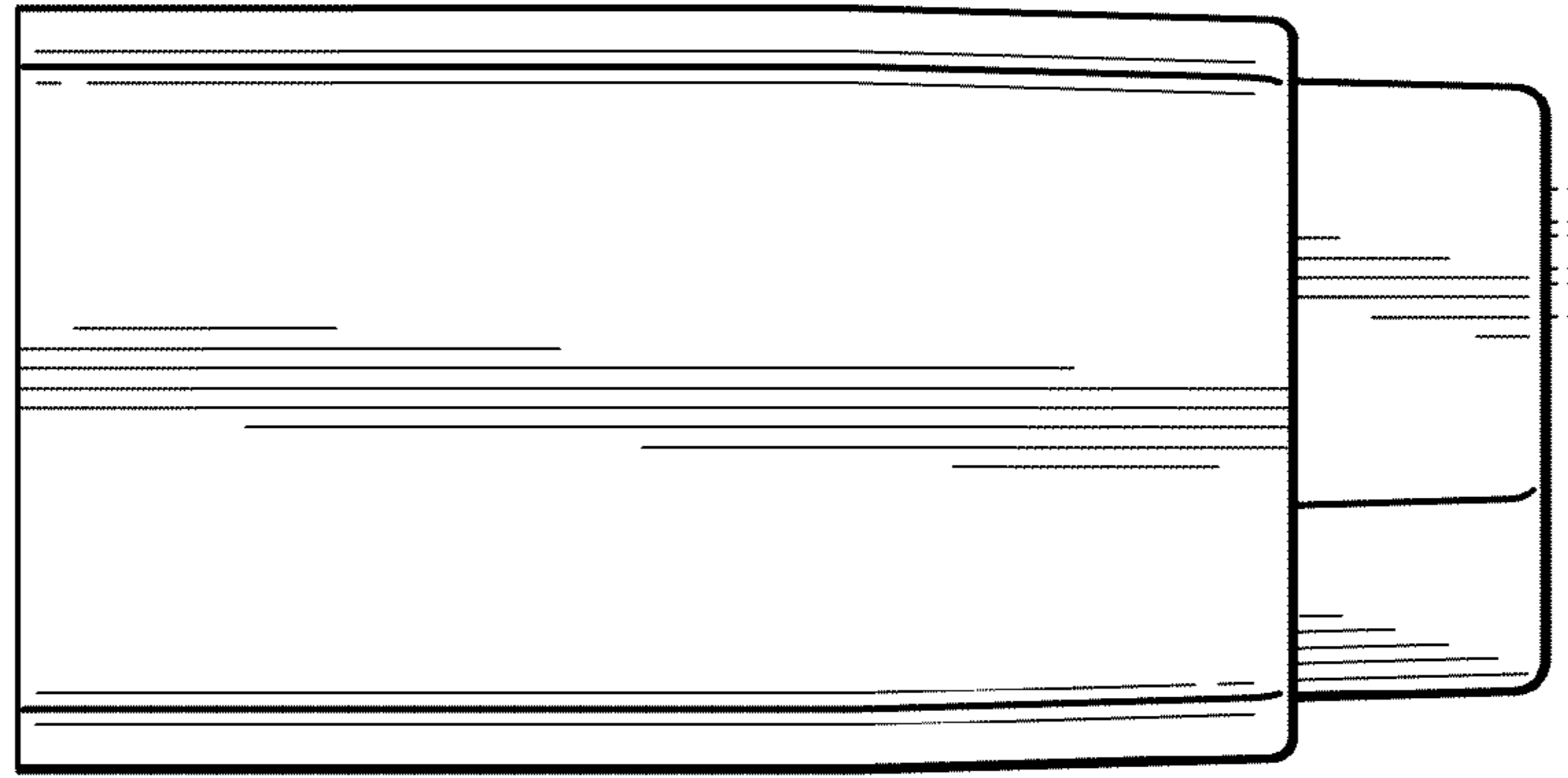


**Figure 73**

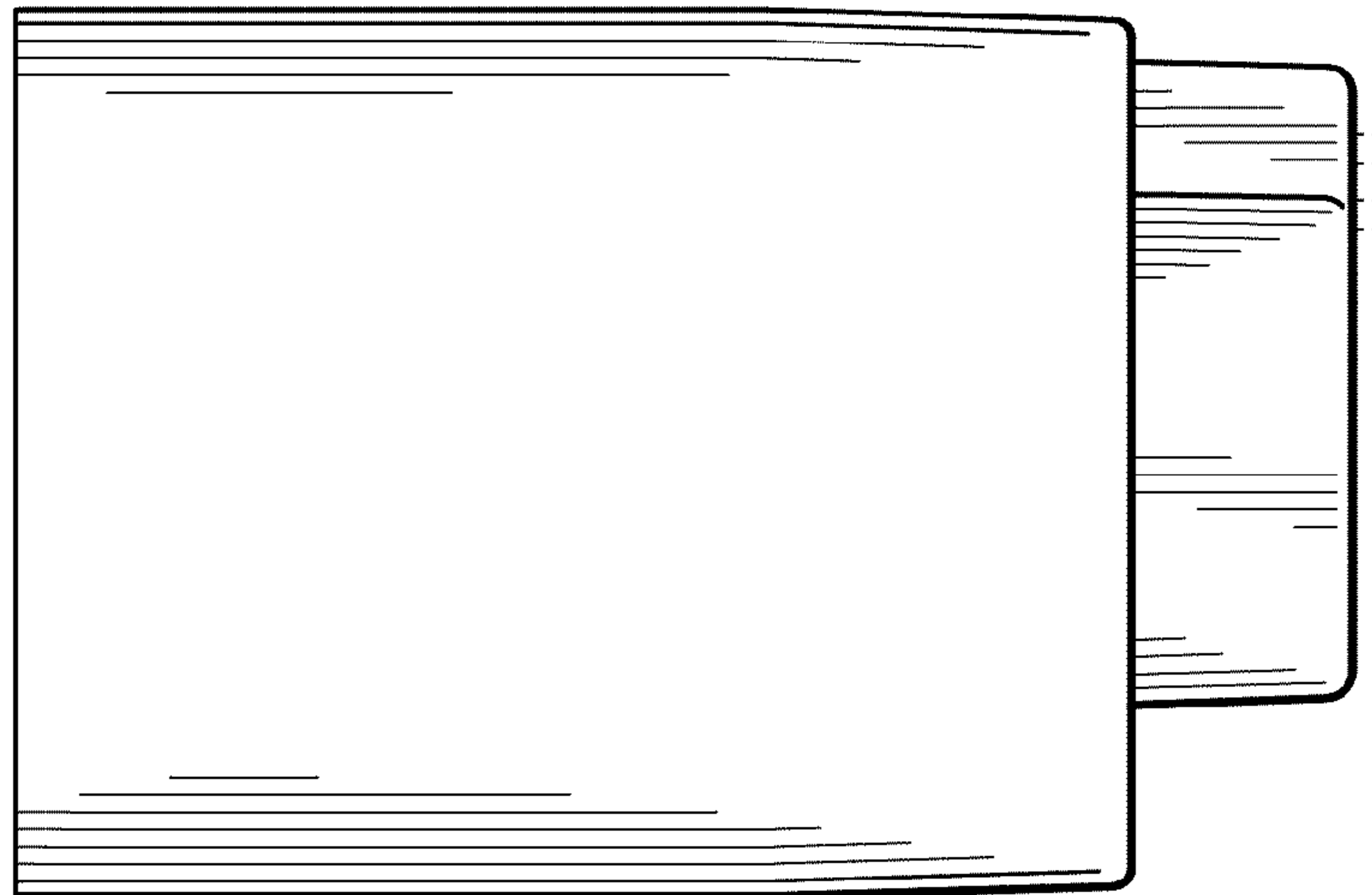


**Figure 74**

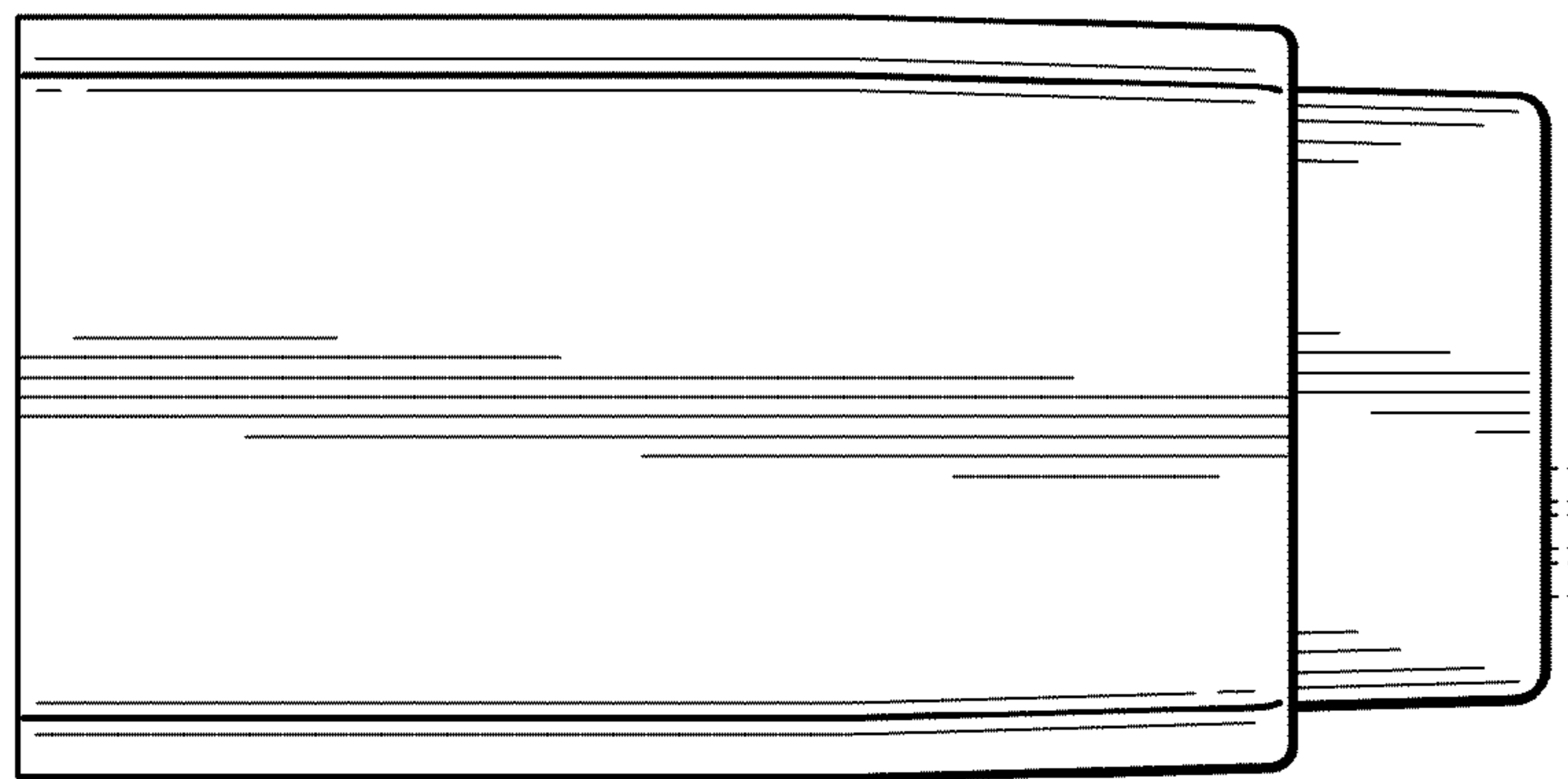




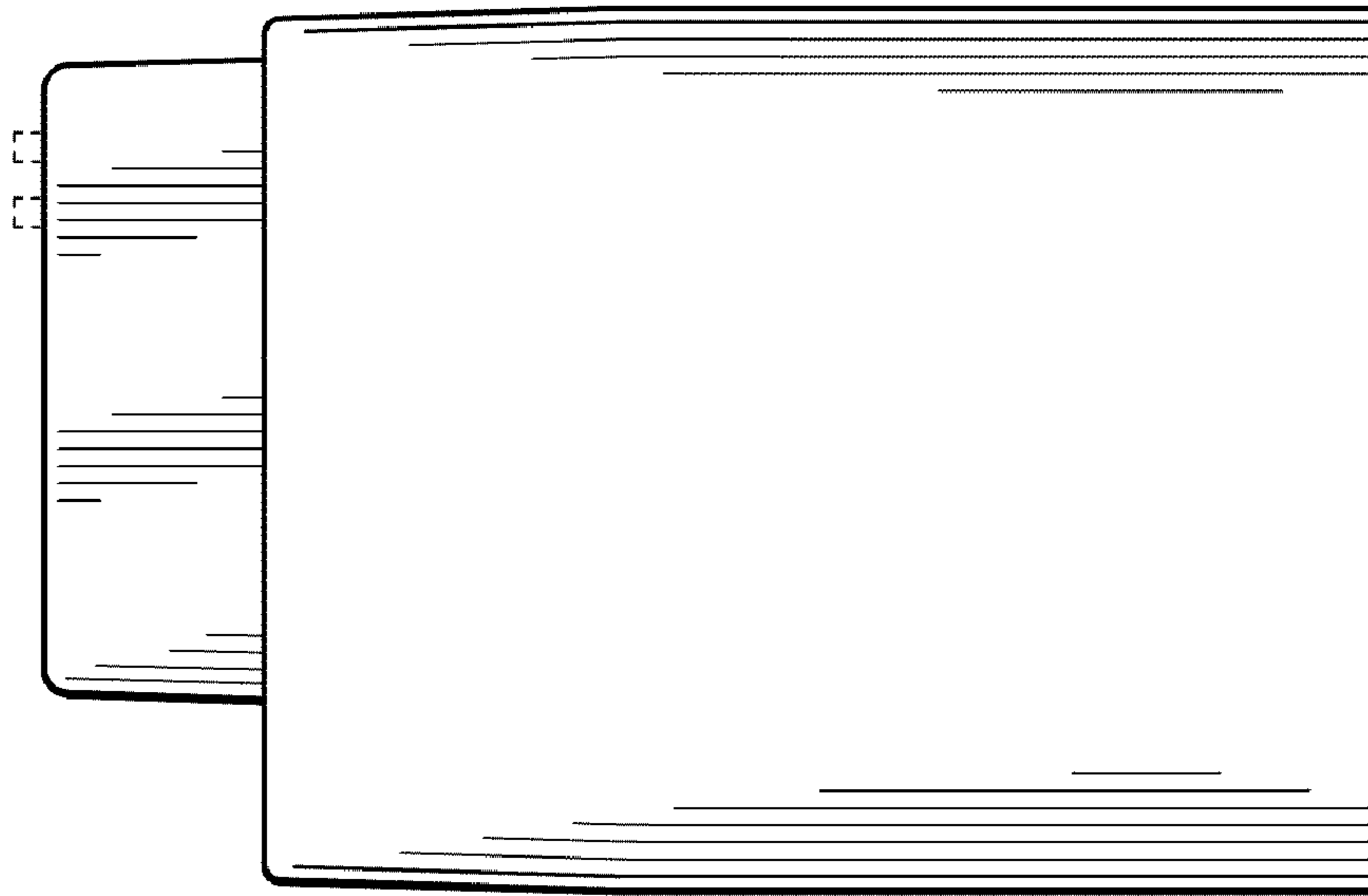
**Figure 75**



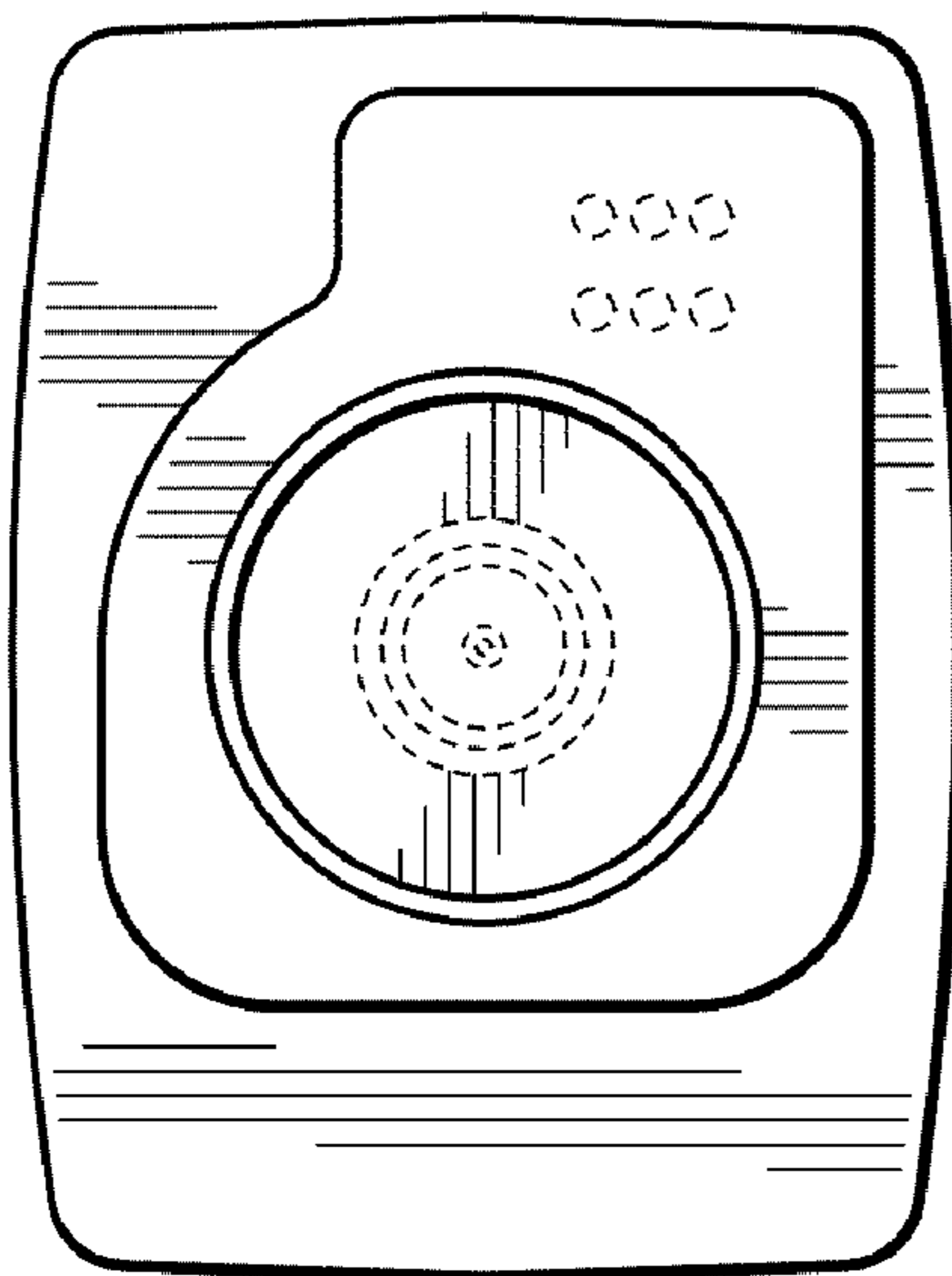
**Figure 76**



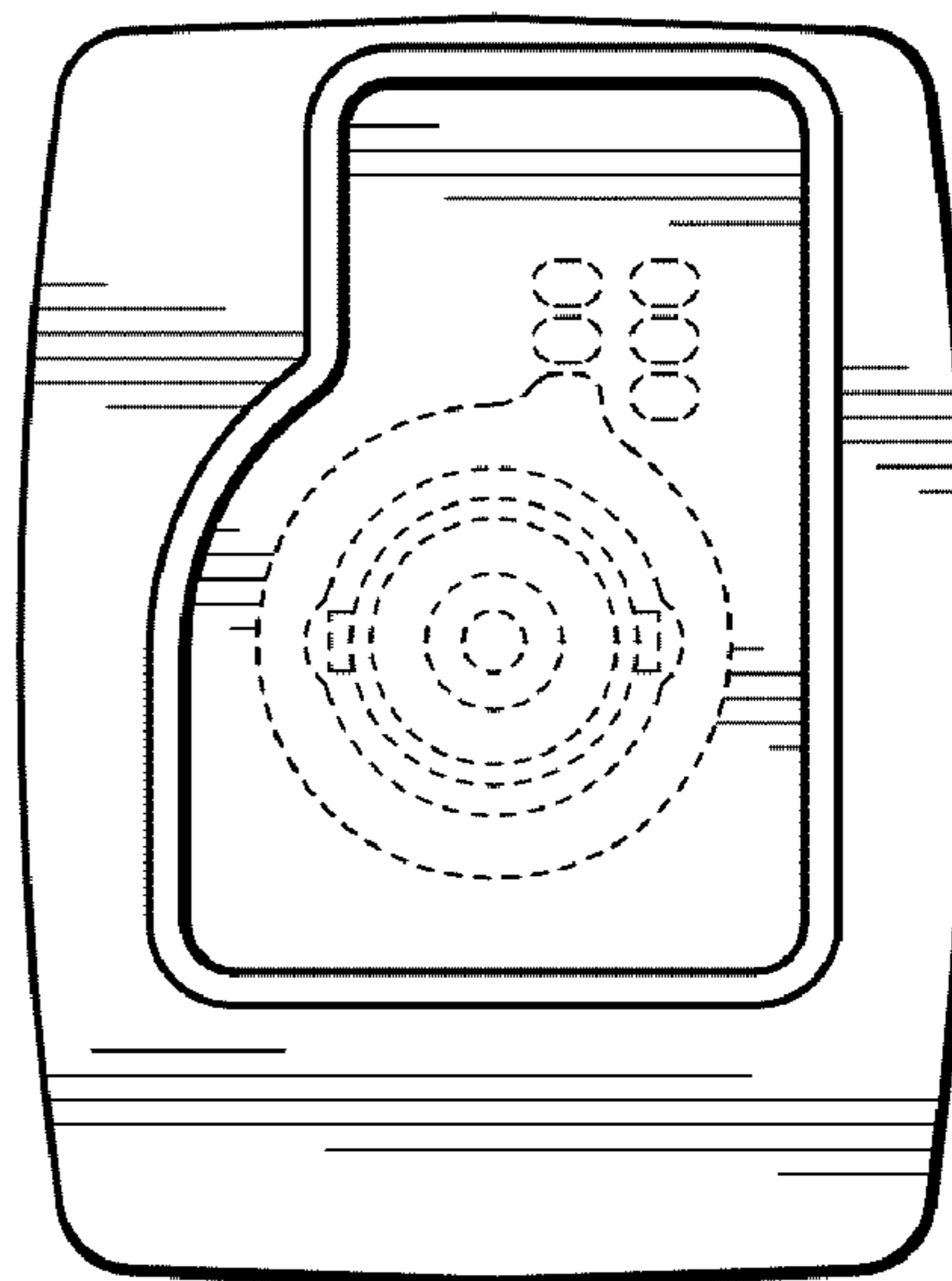
**Figure 77**



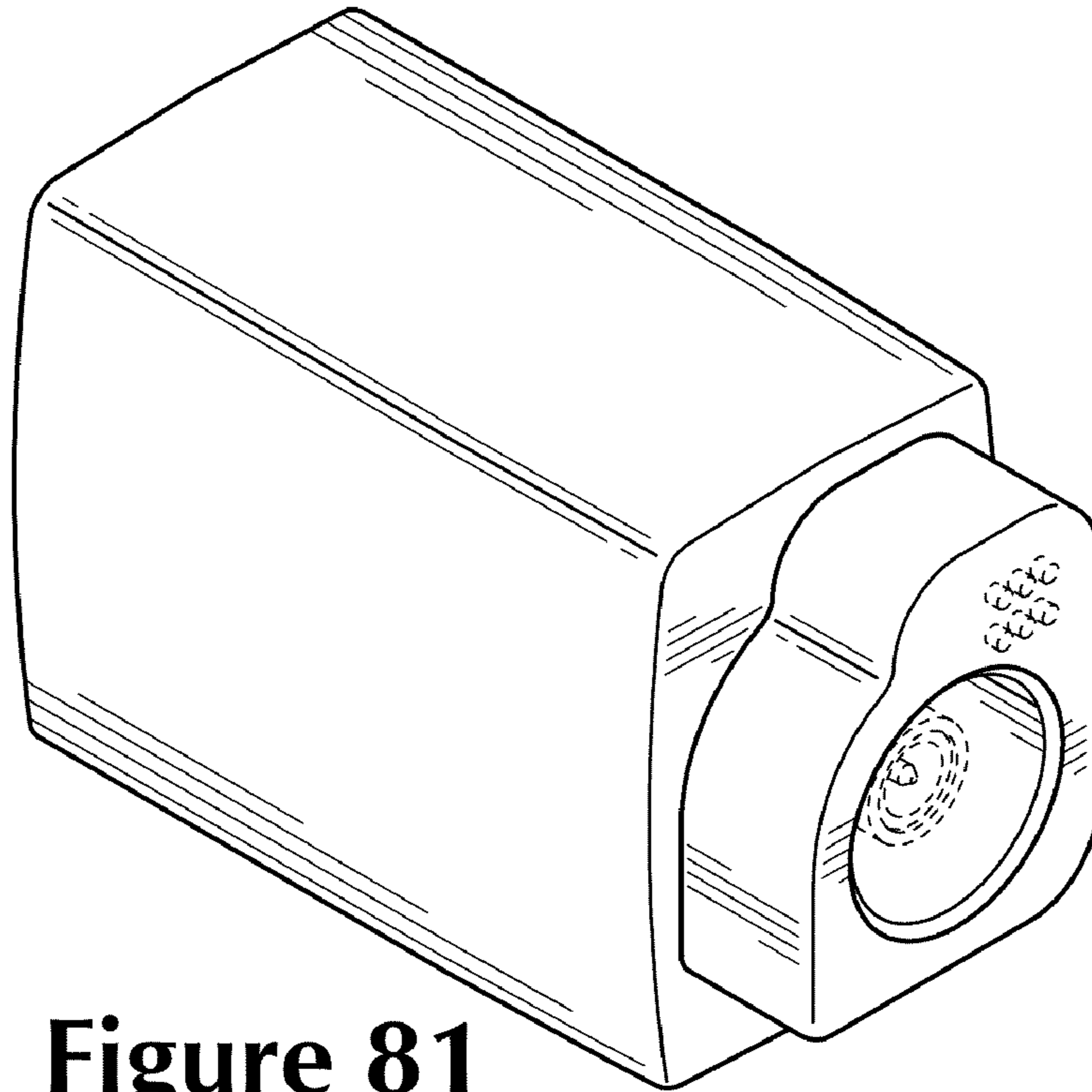
**Figure 78**



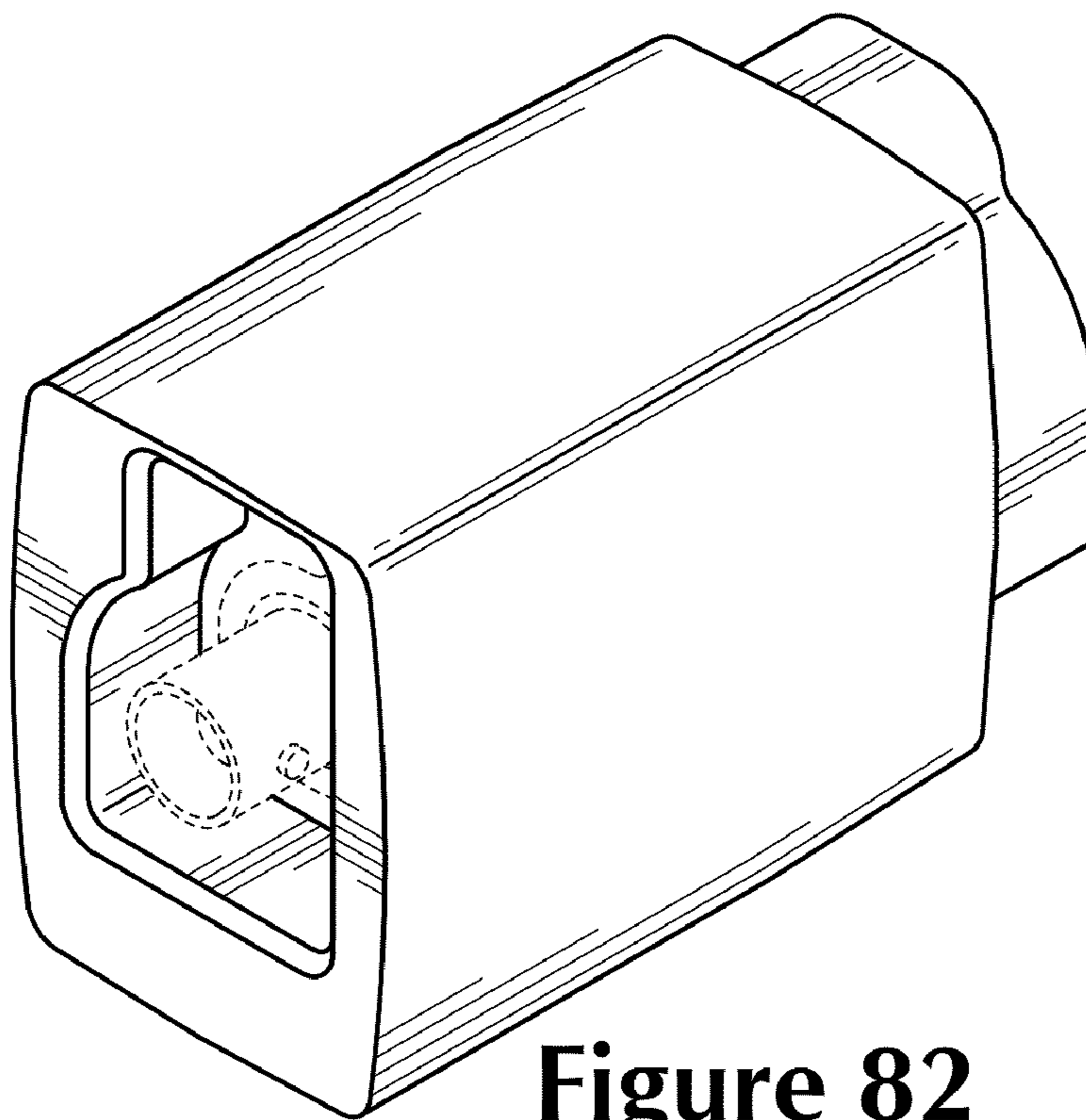
**Figure 79**



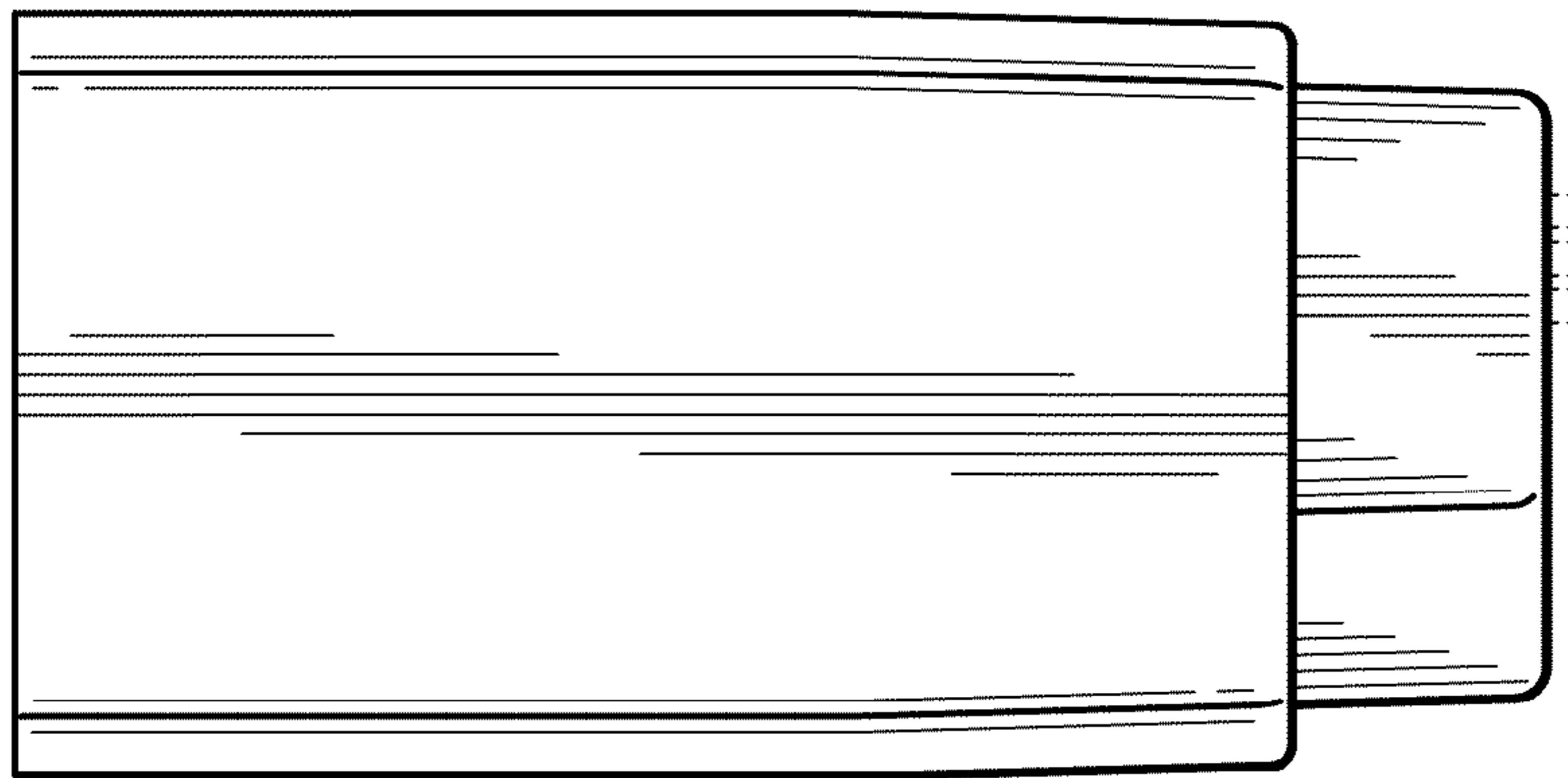
**Figure 80**



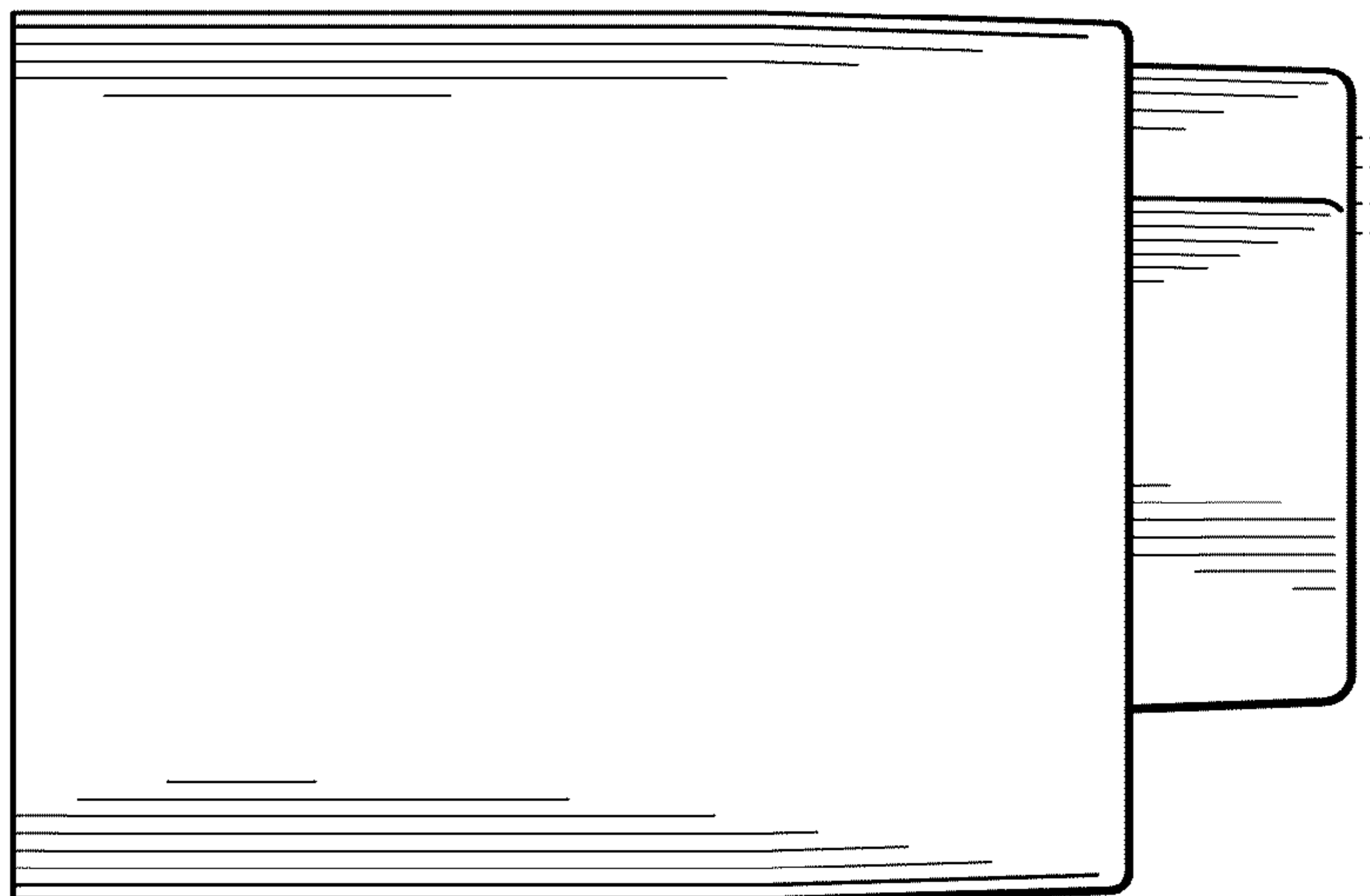
**Figure 81**



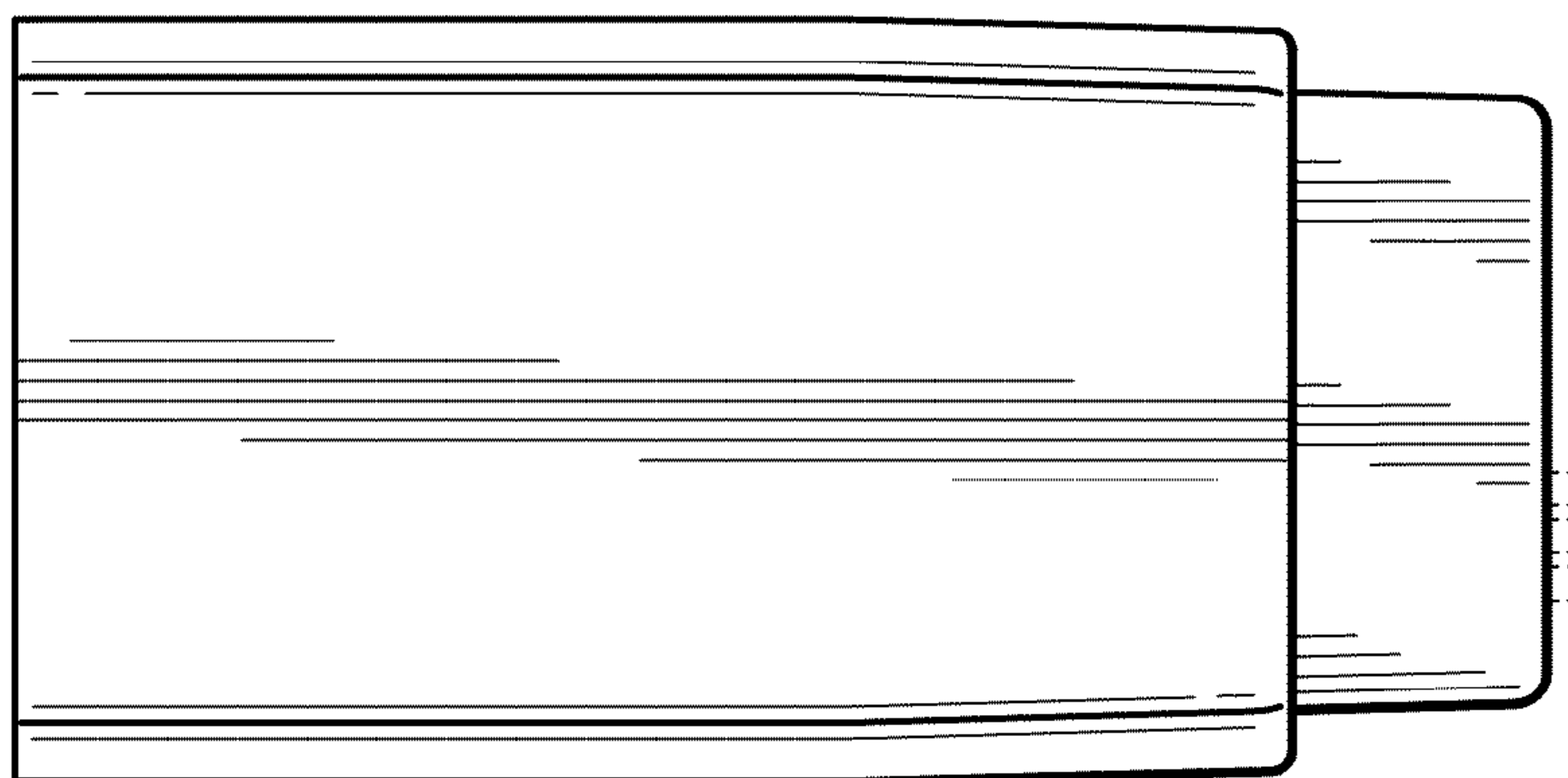
**Figure 82**



**Figure 83**

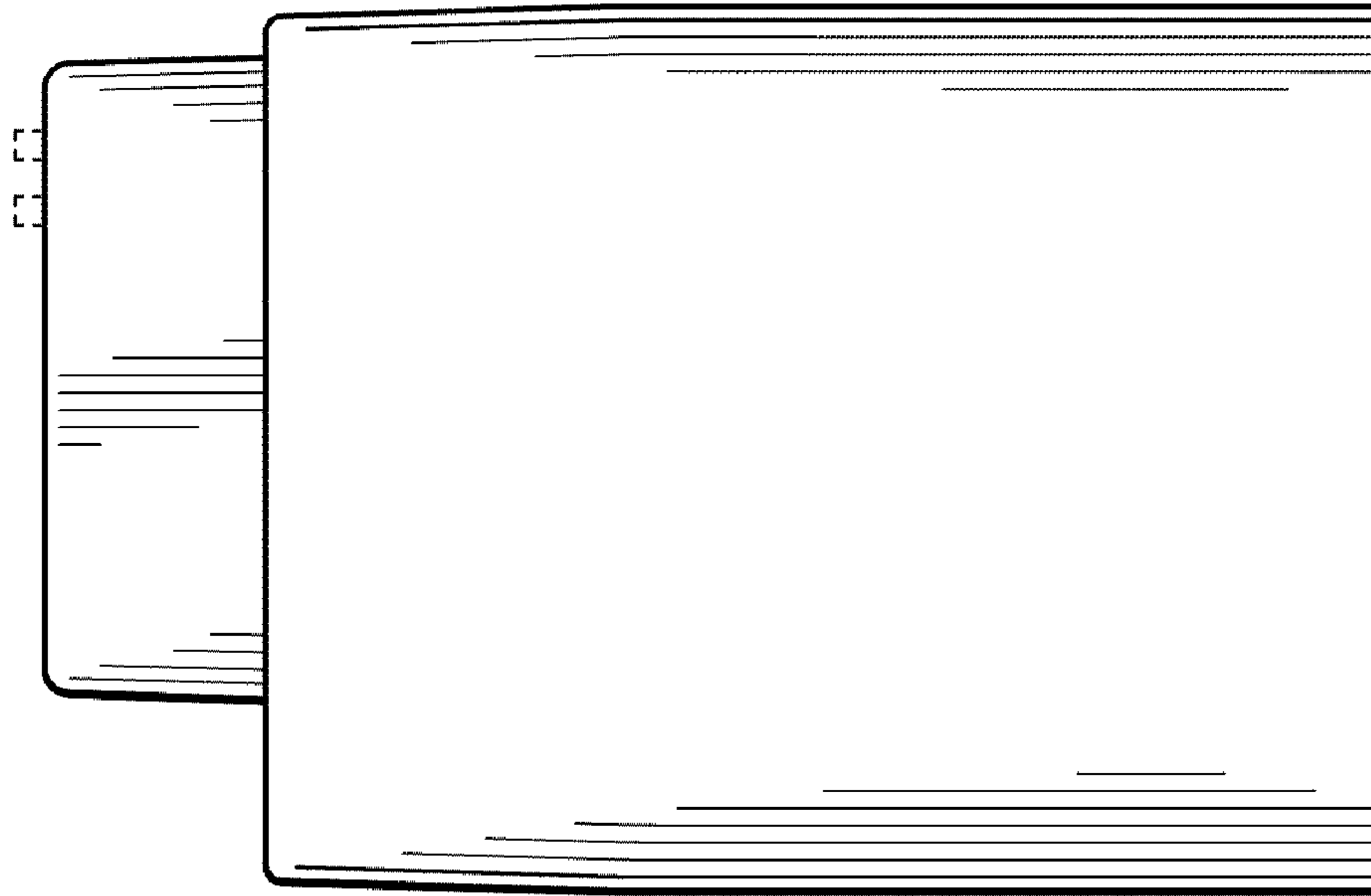


**Figure 84**

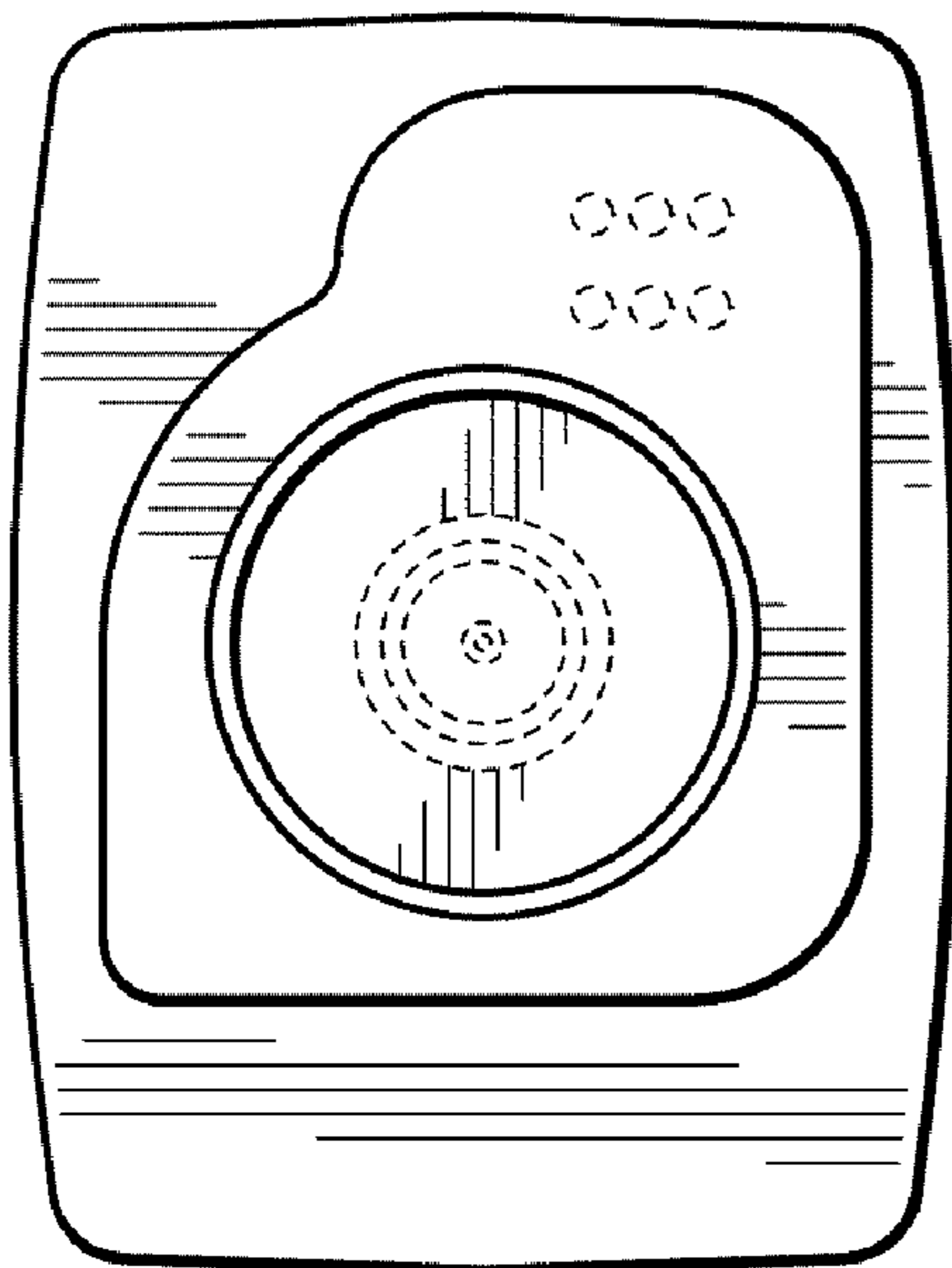


**Figure 85**

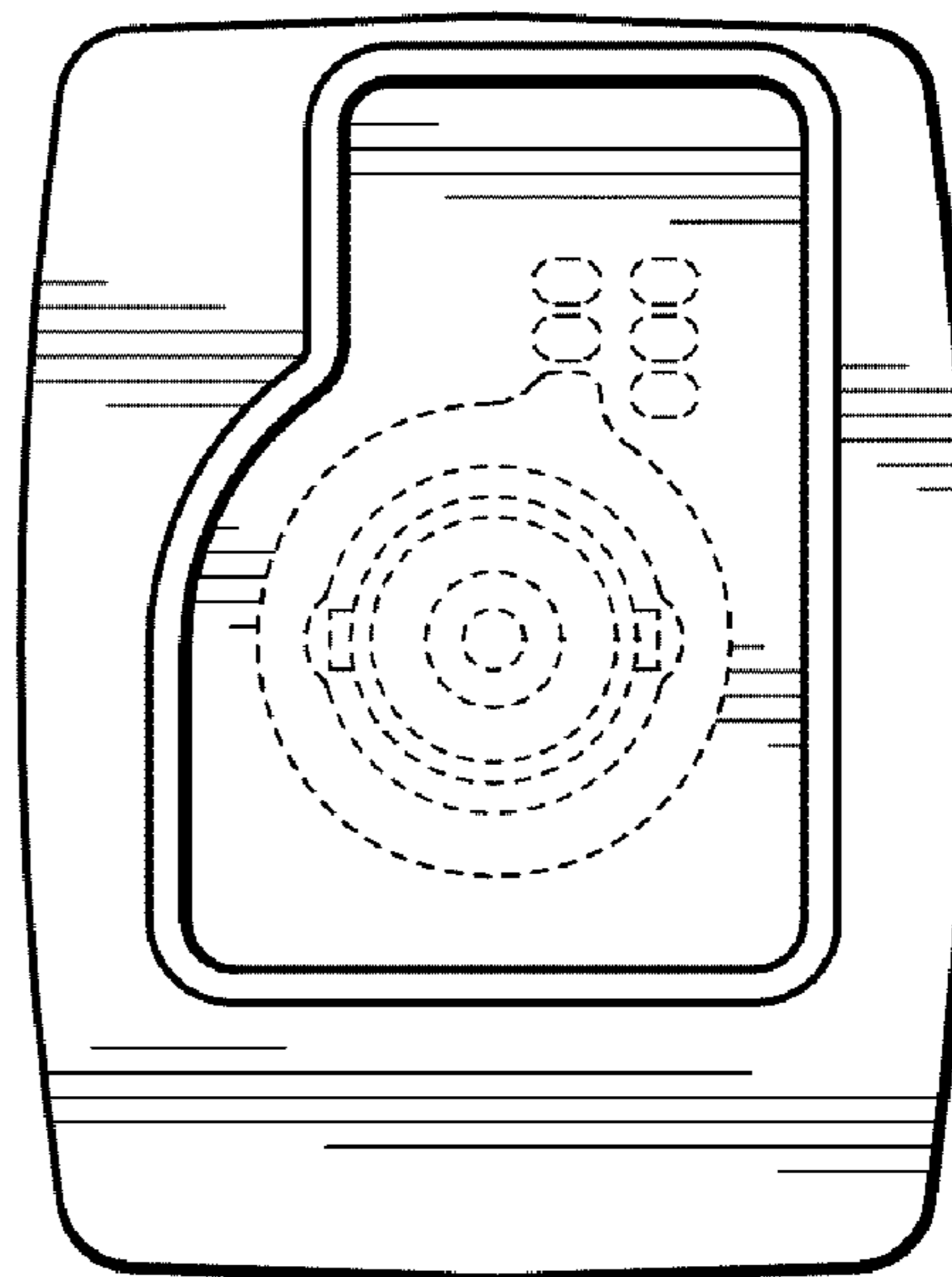




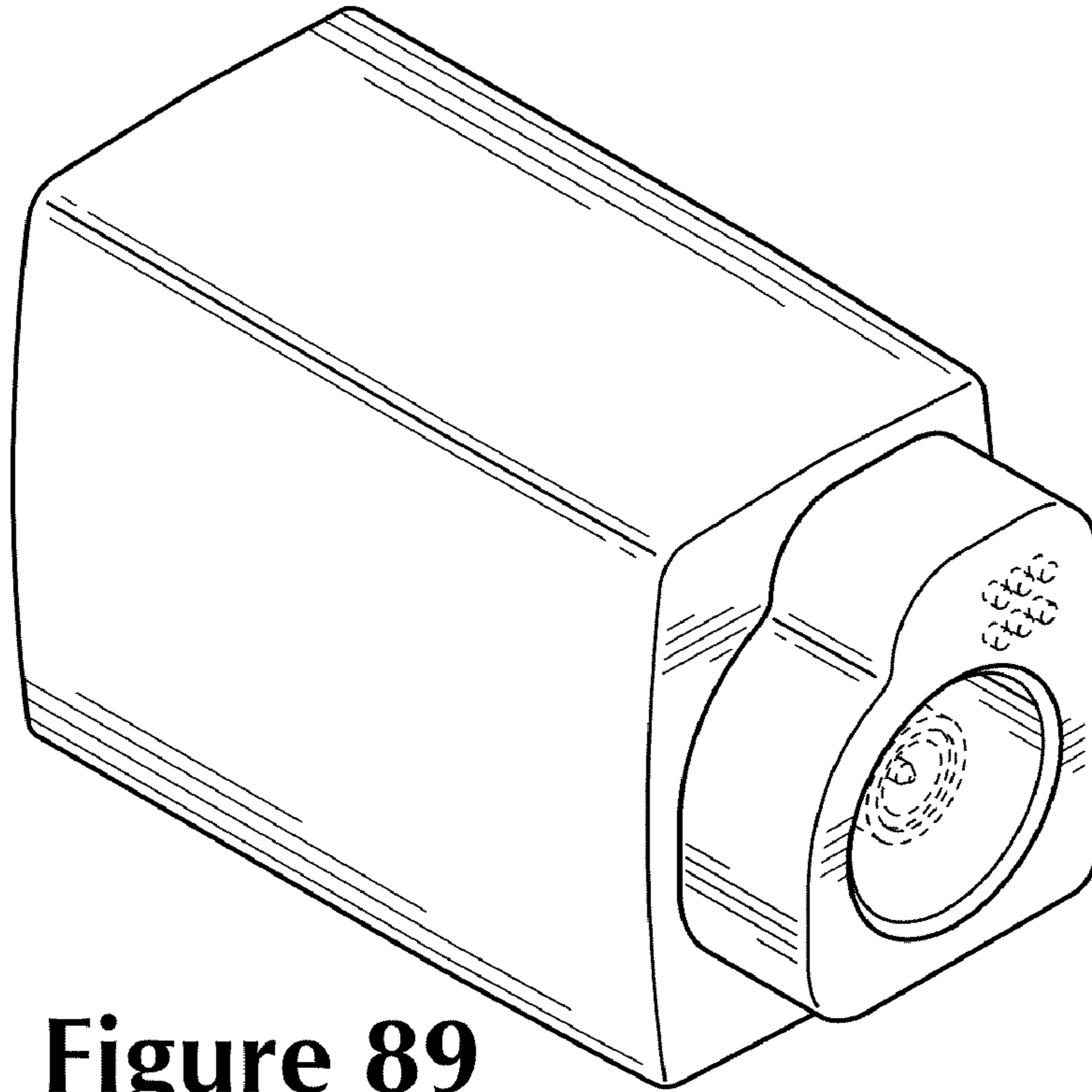
**Figure 86**



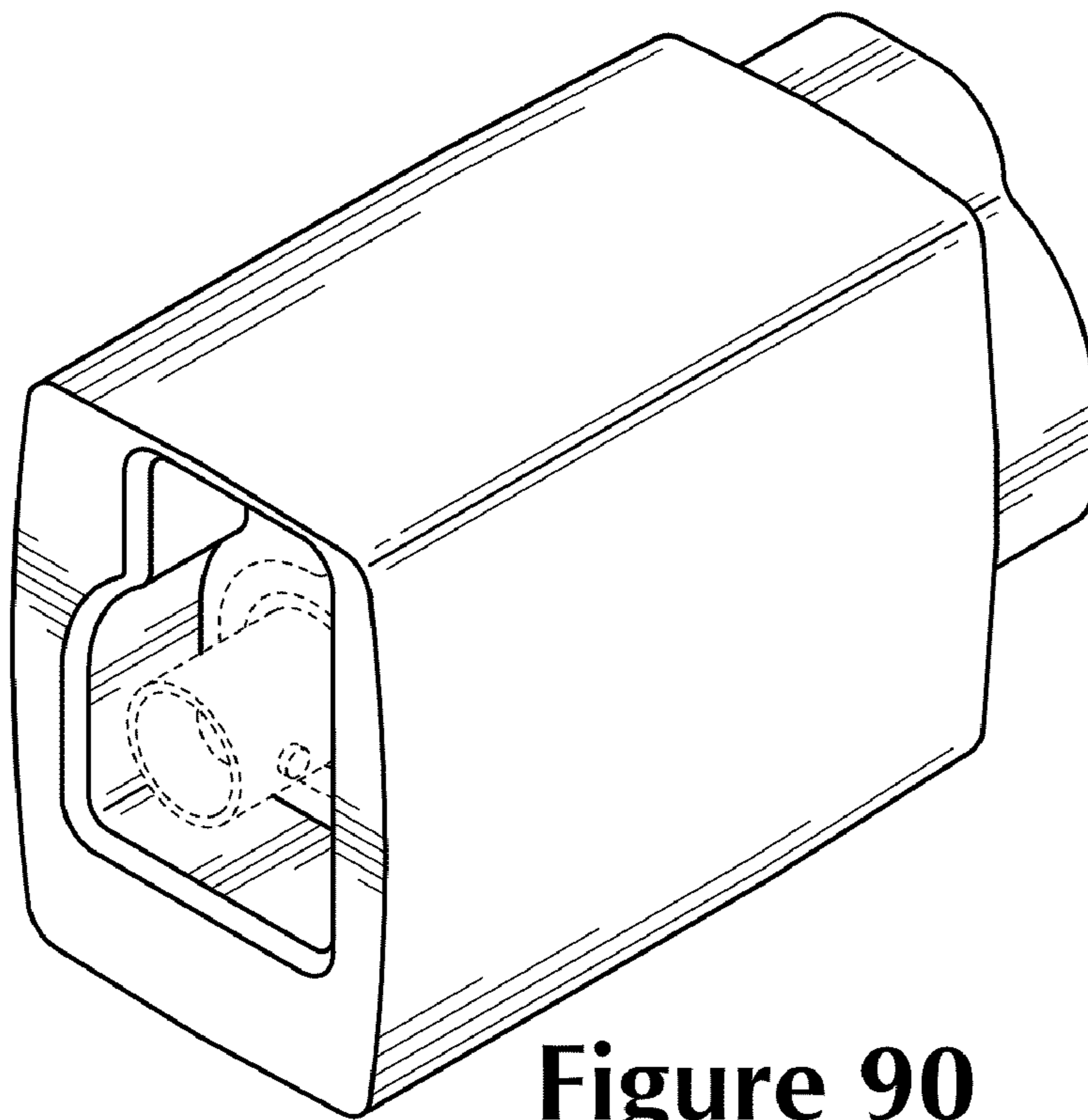
**Figure 87**



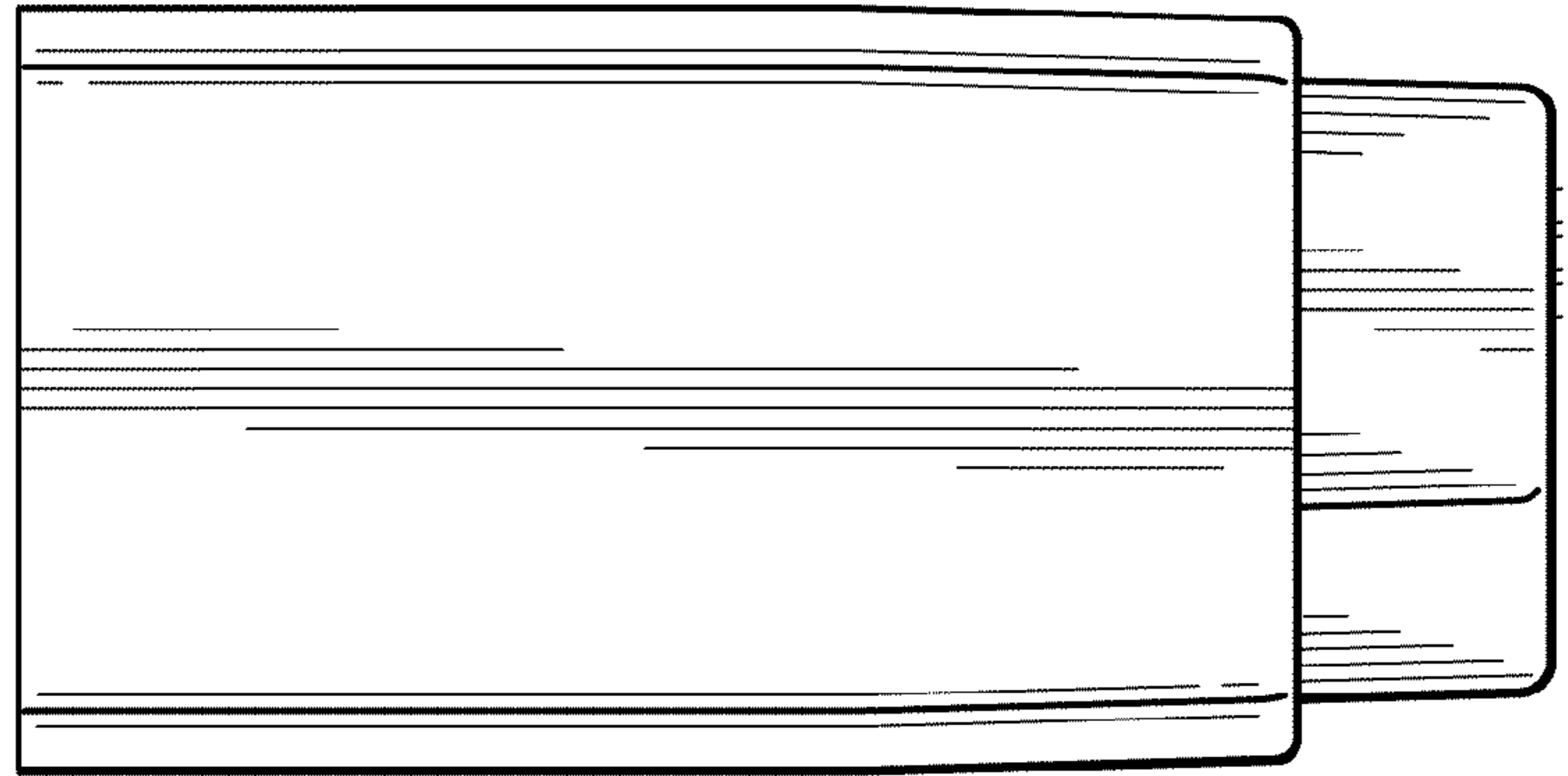
**Figure 88**



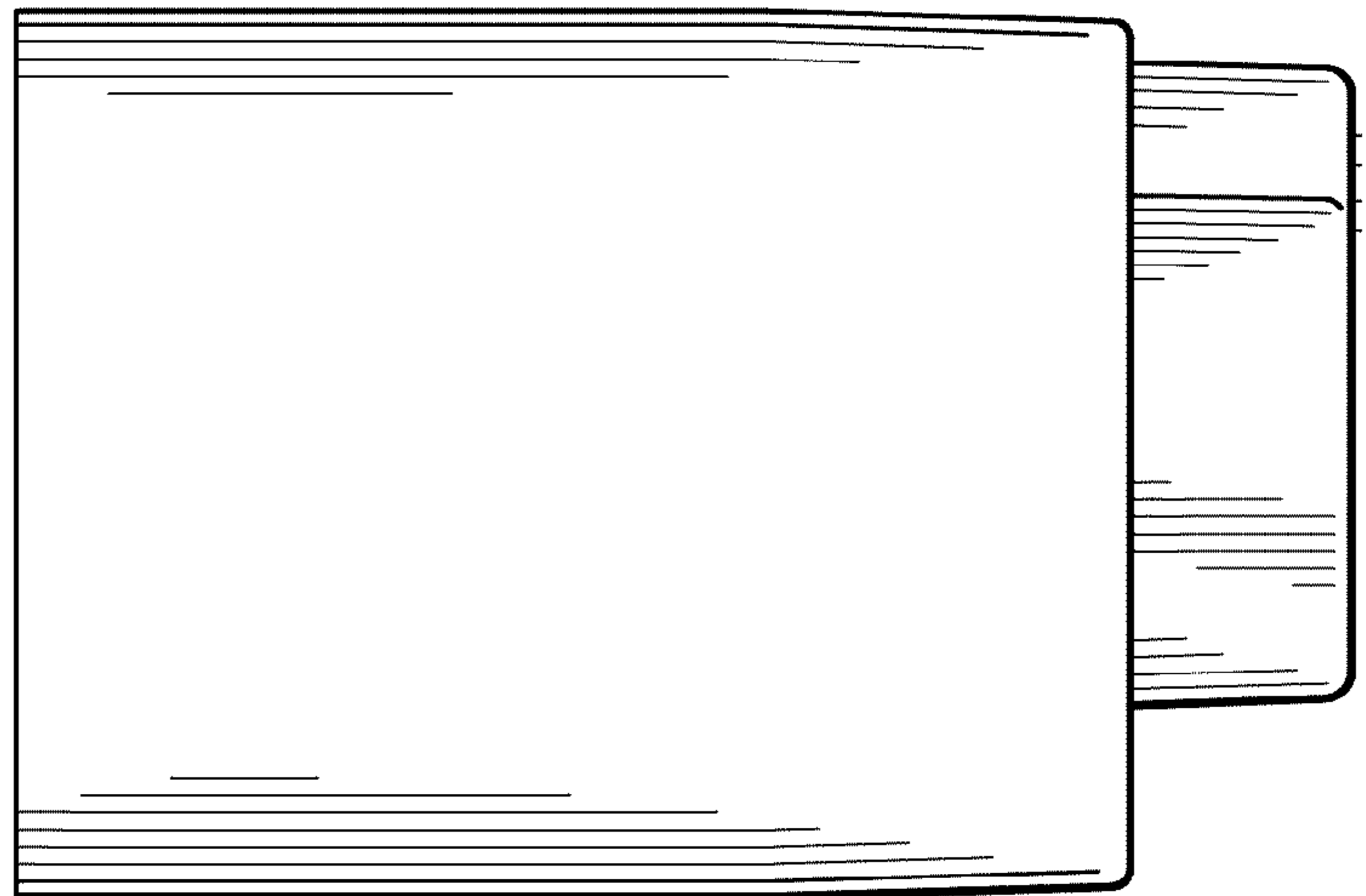
**Figure 89**



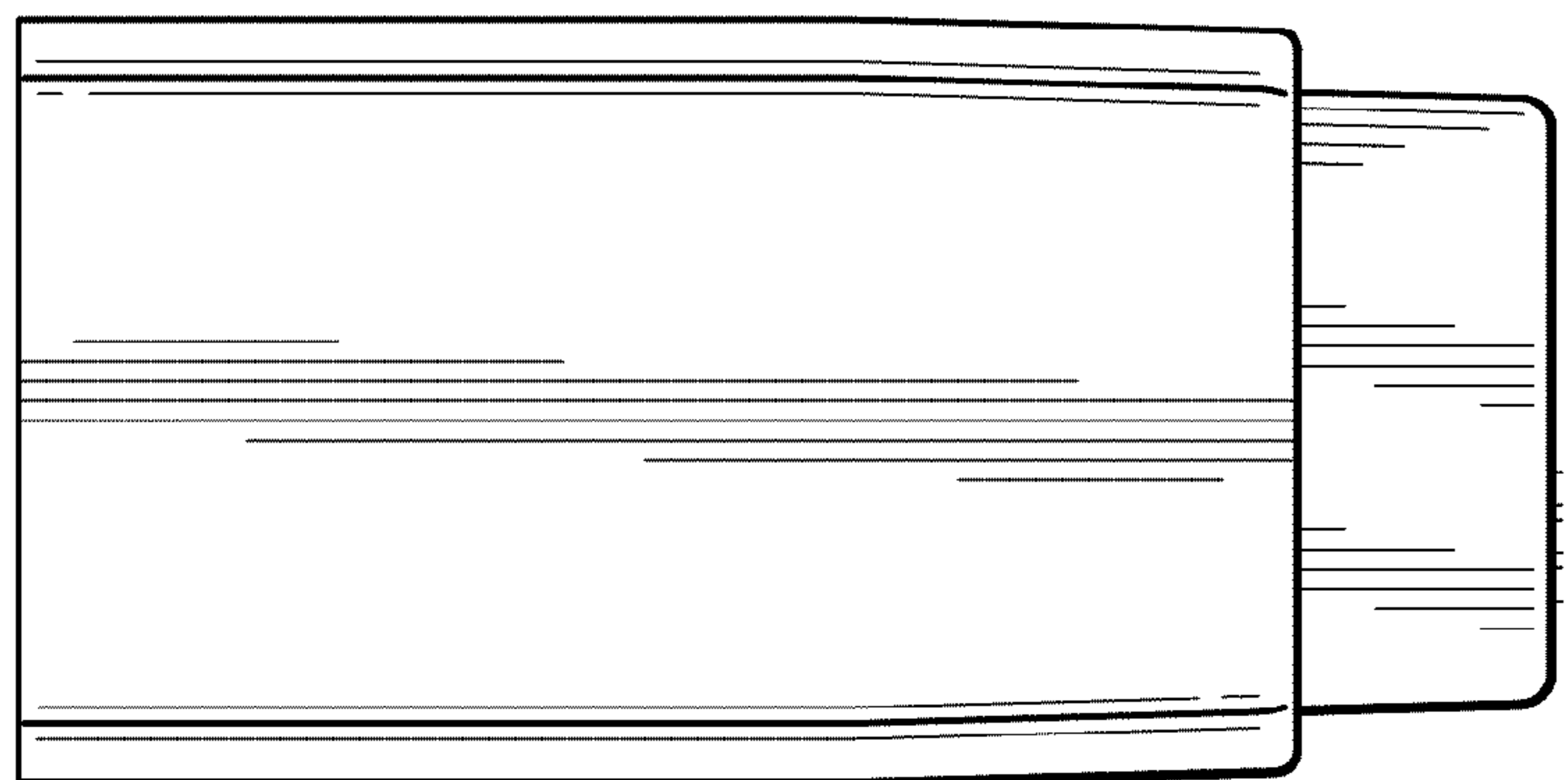
**Figure 90**



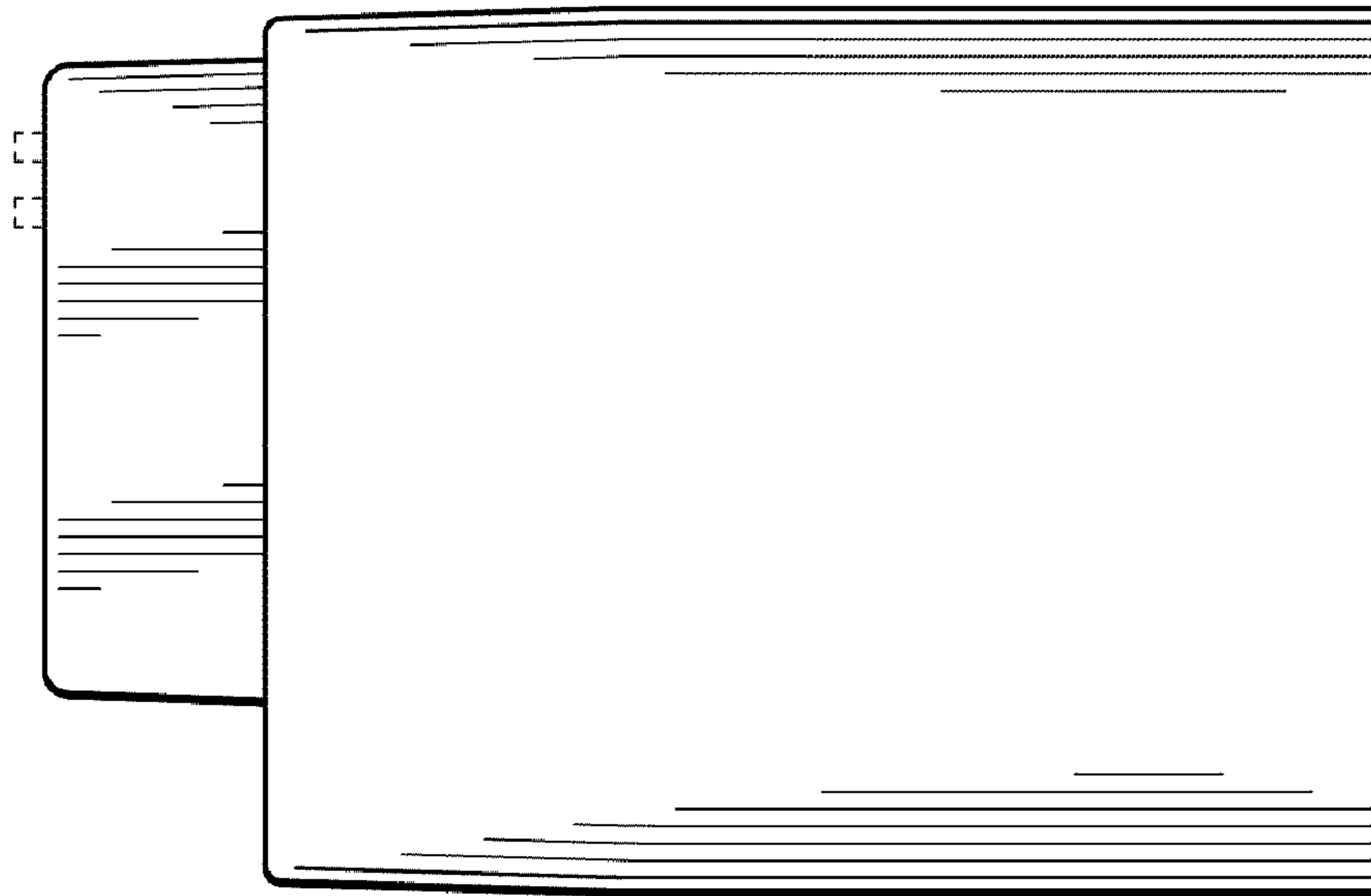
**Figure 91**



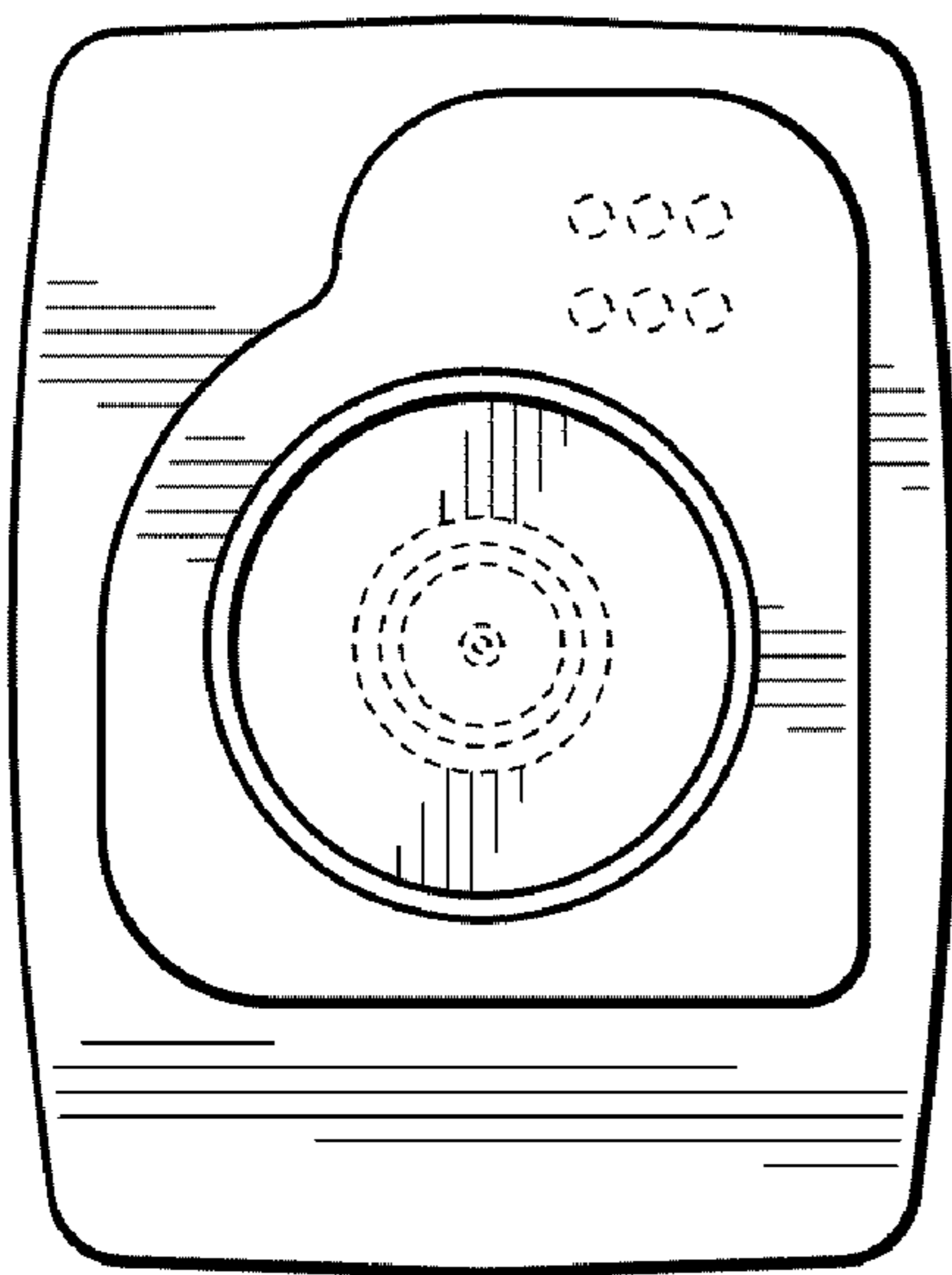
**Figure 92**



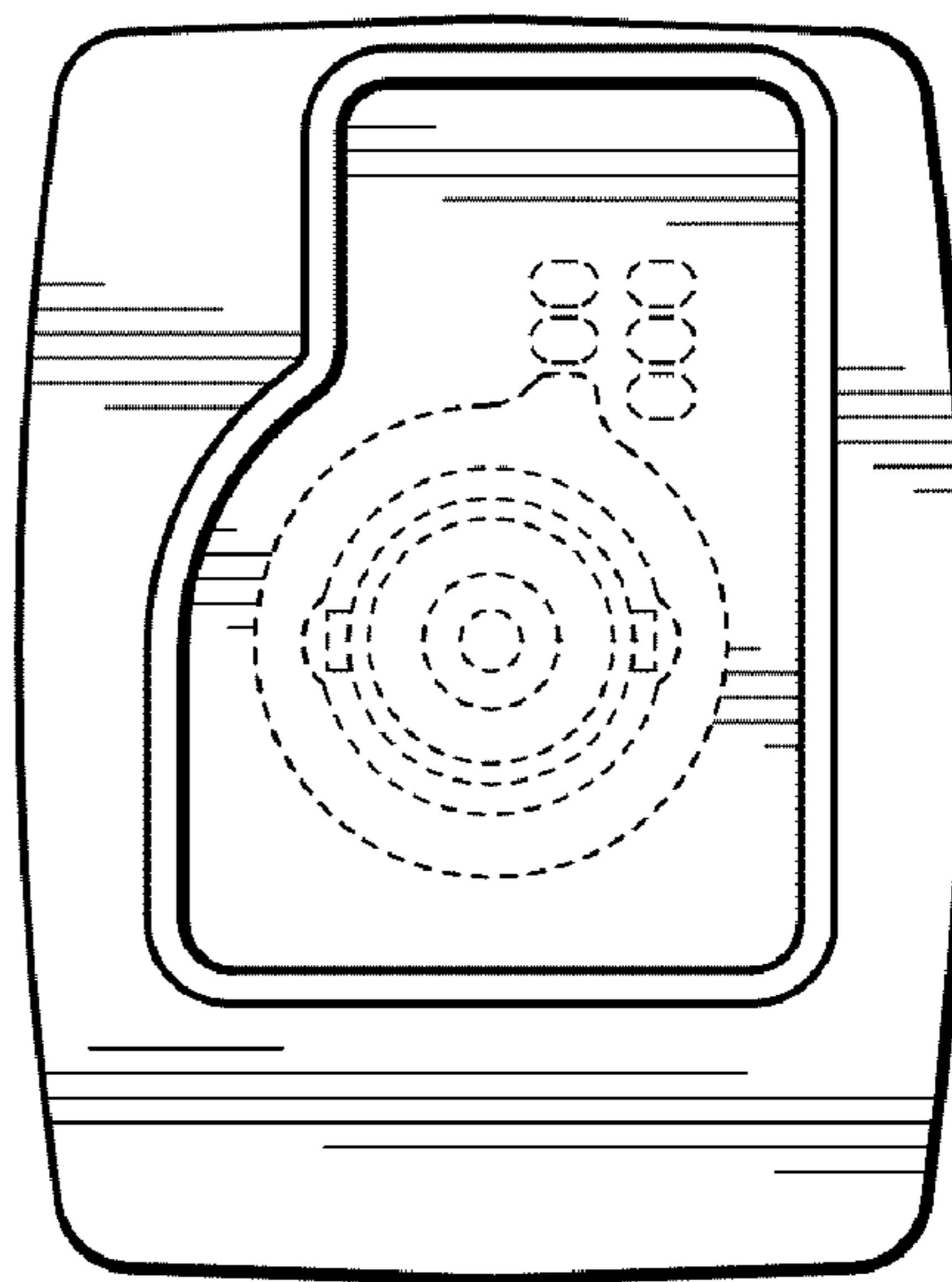
**Figure 93**



**Figure 94**

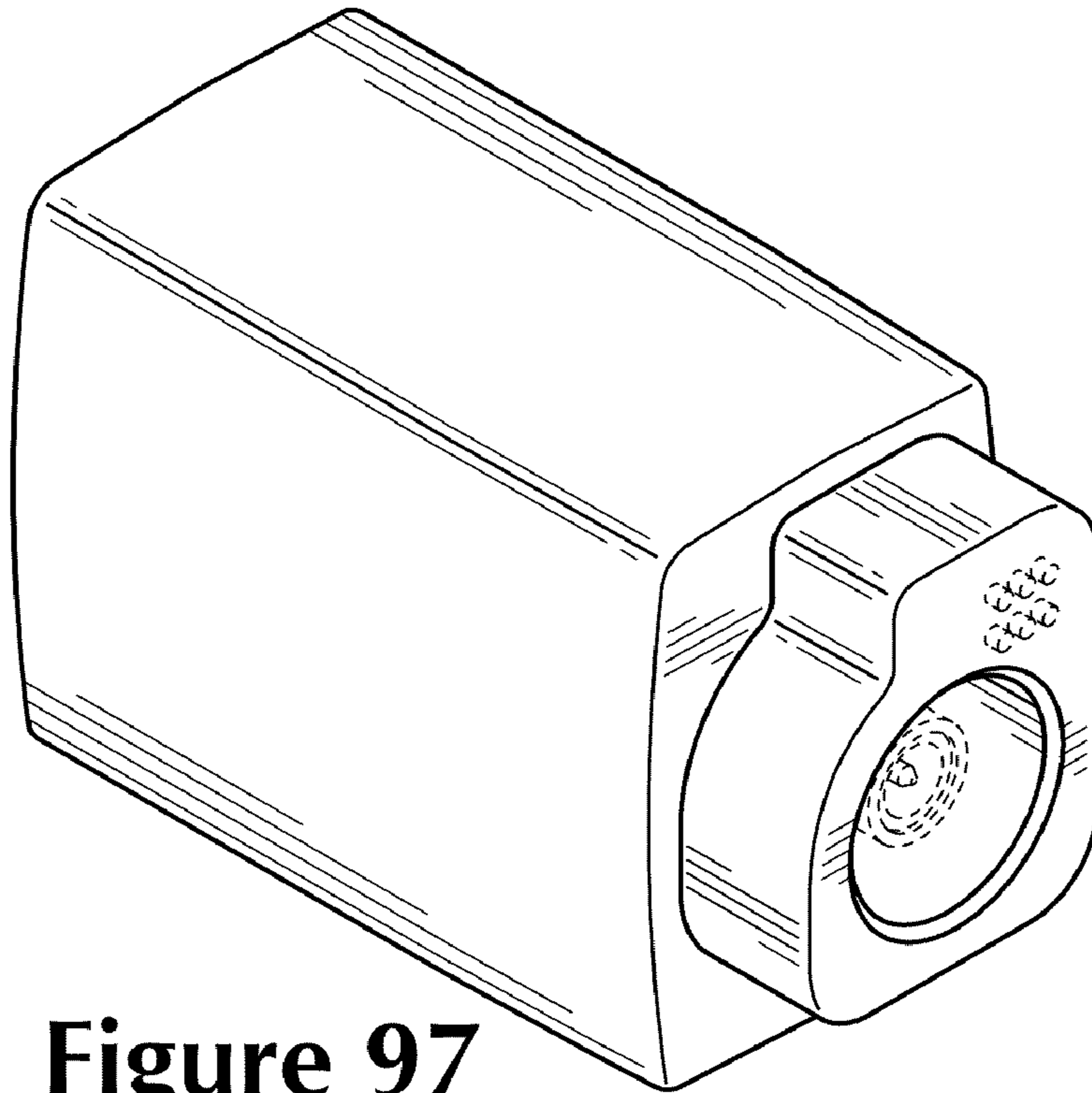


**Figure 95**

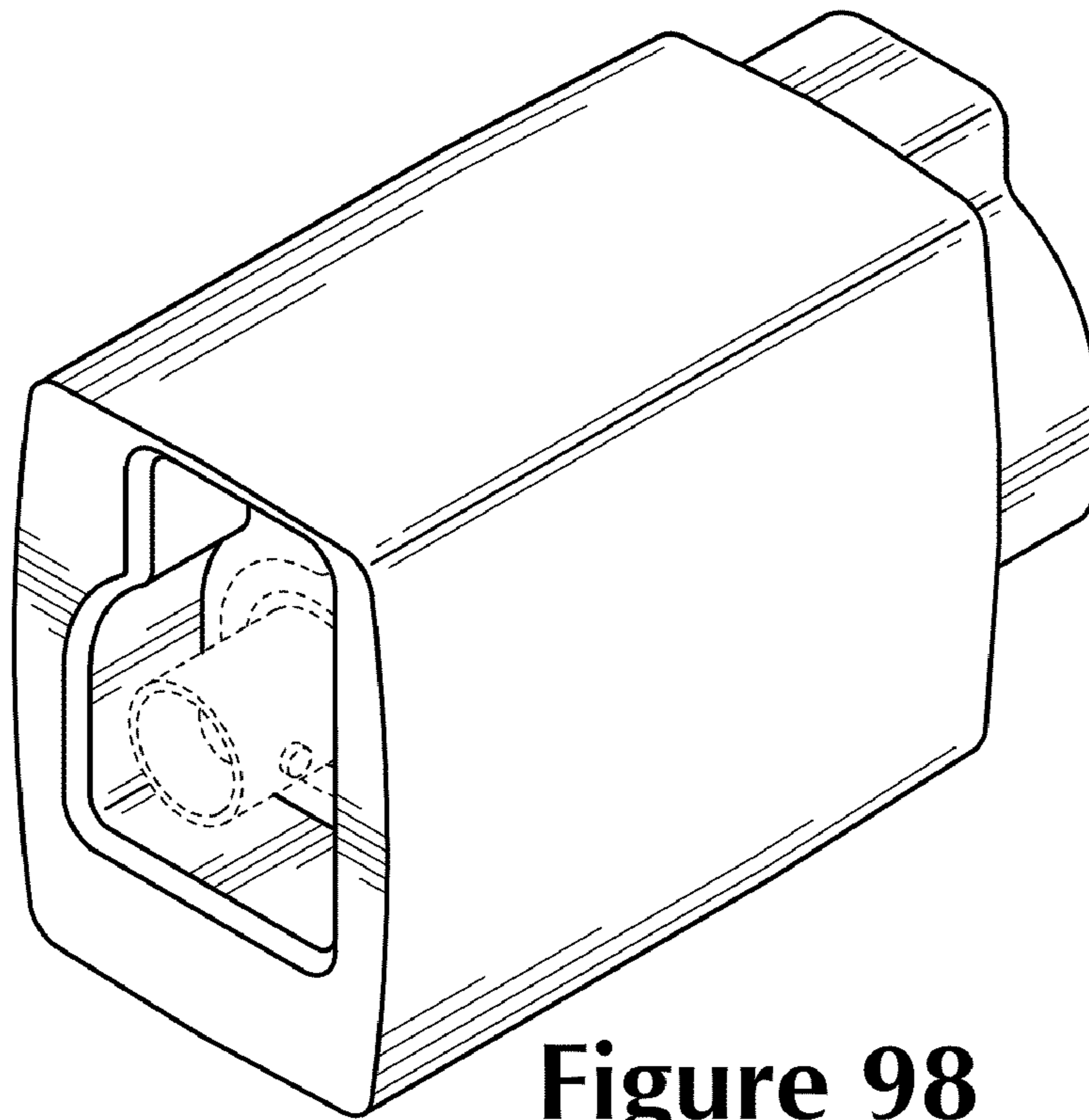


**Figure 96**

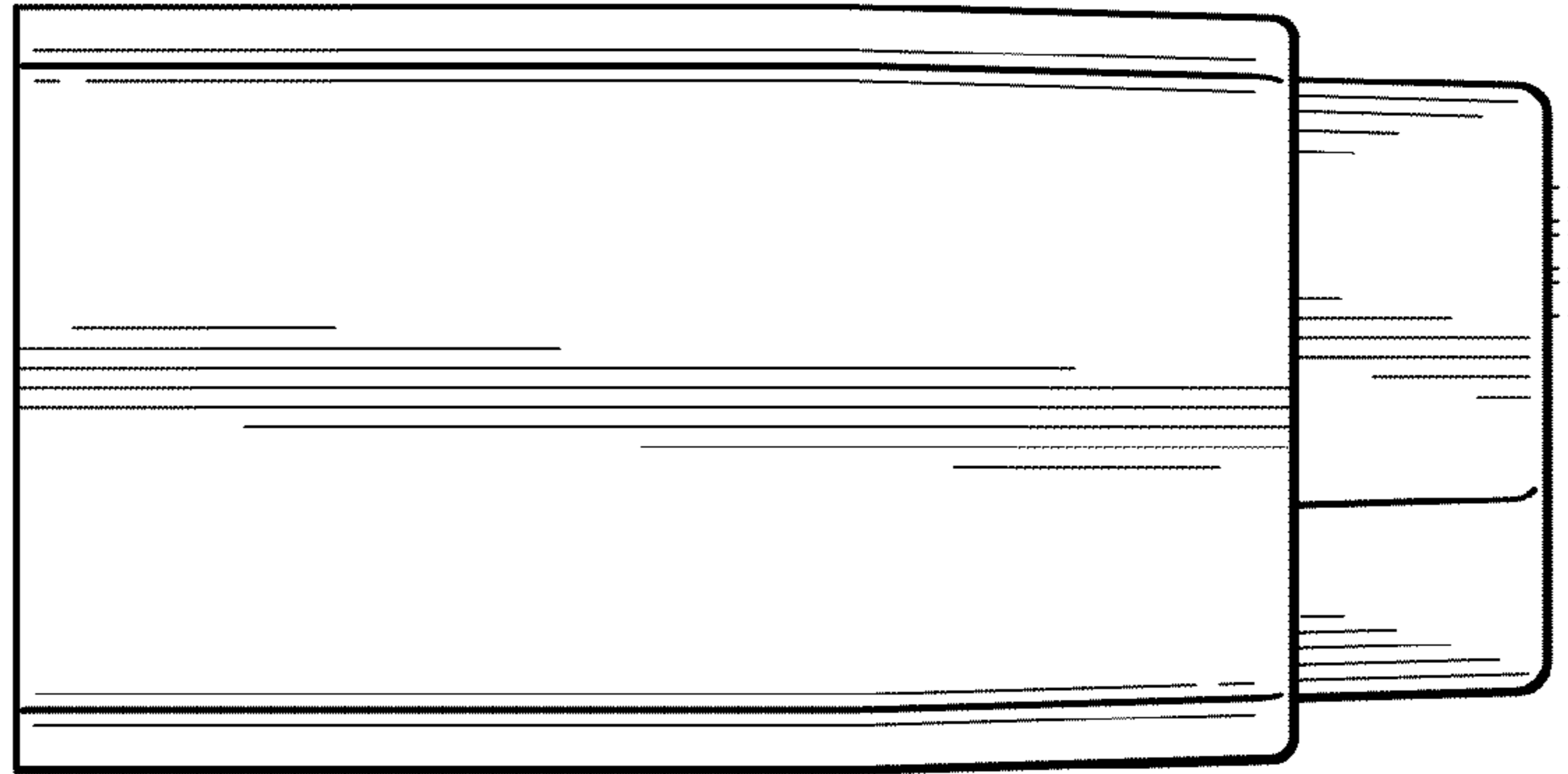




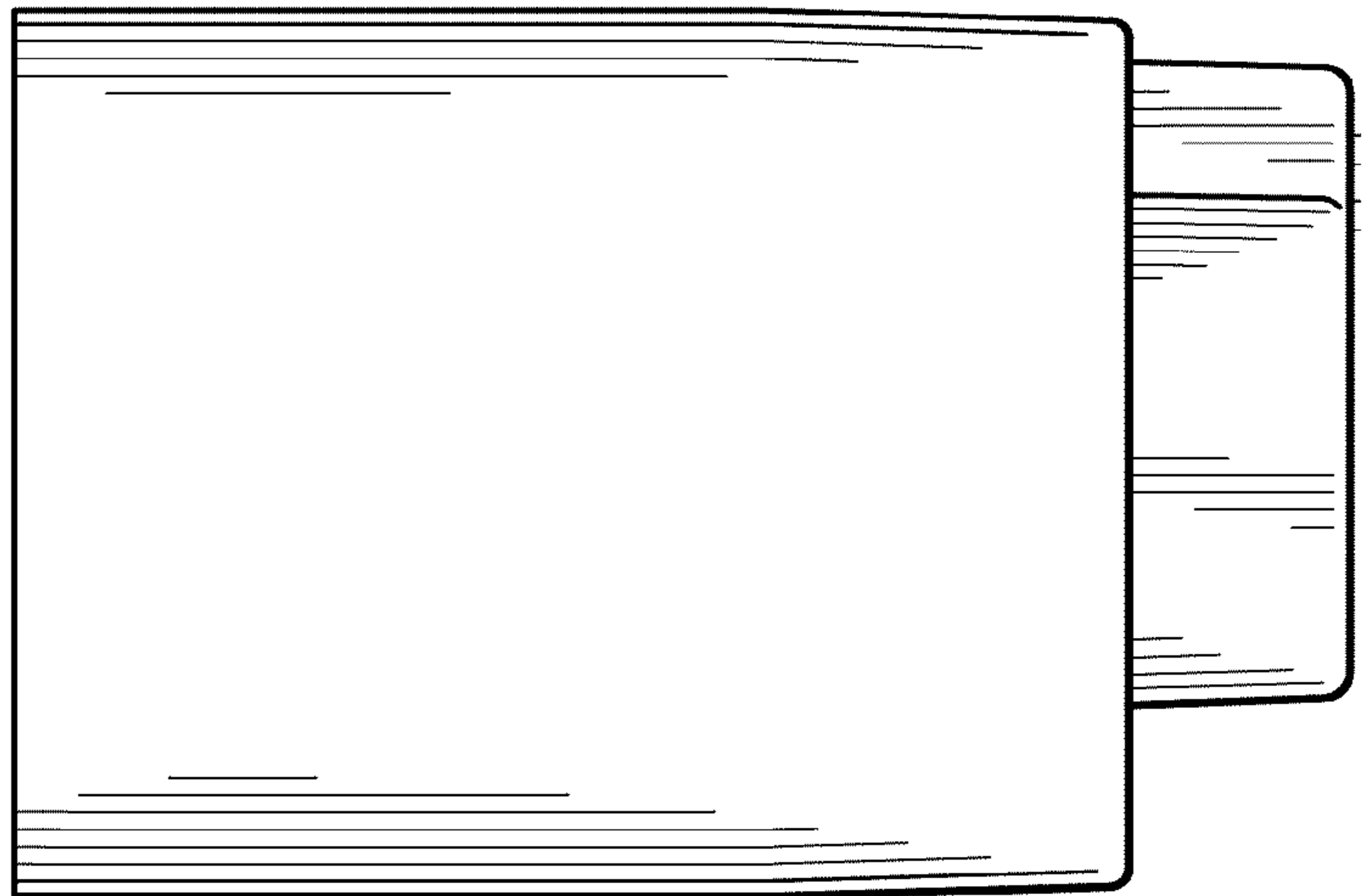
**Figure 97**



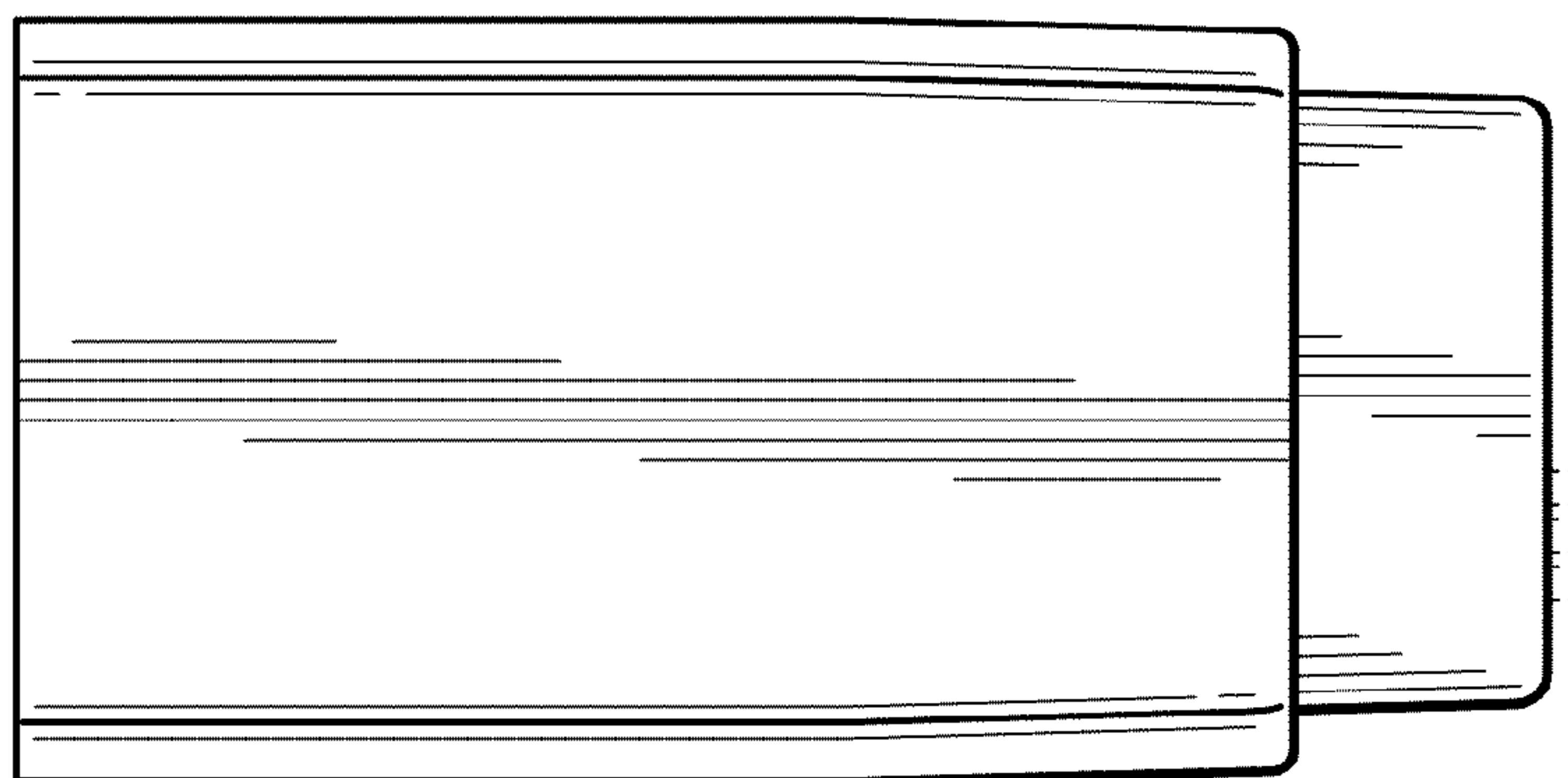
**Figure 98**



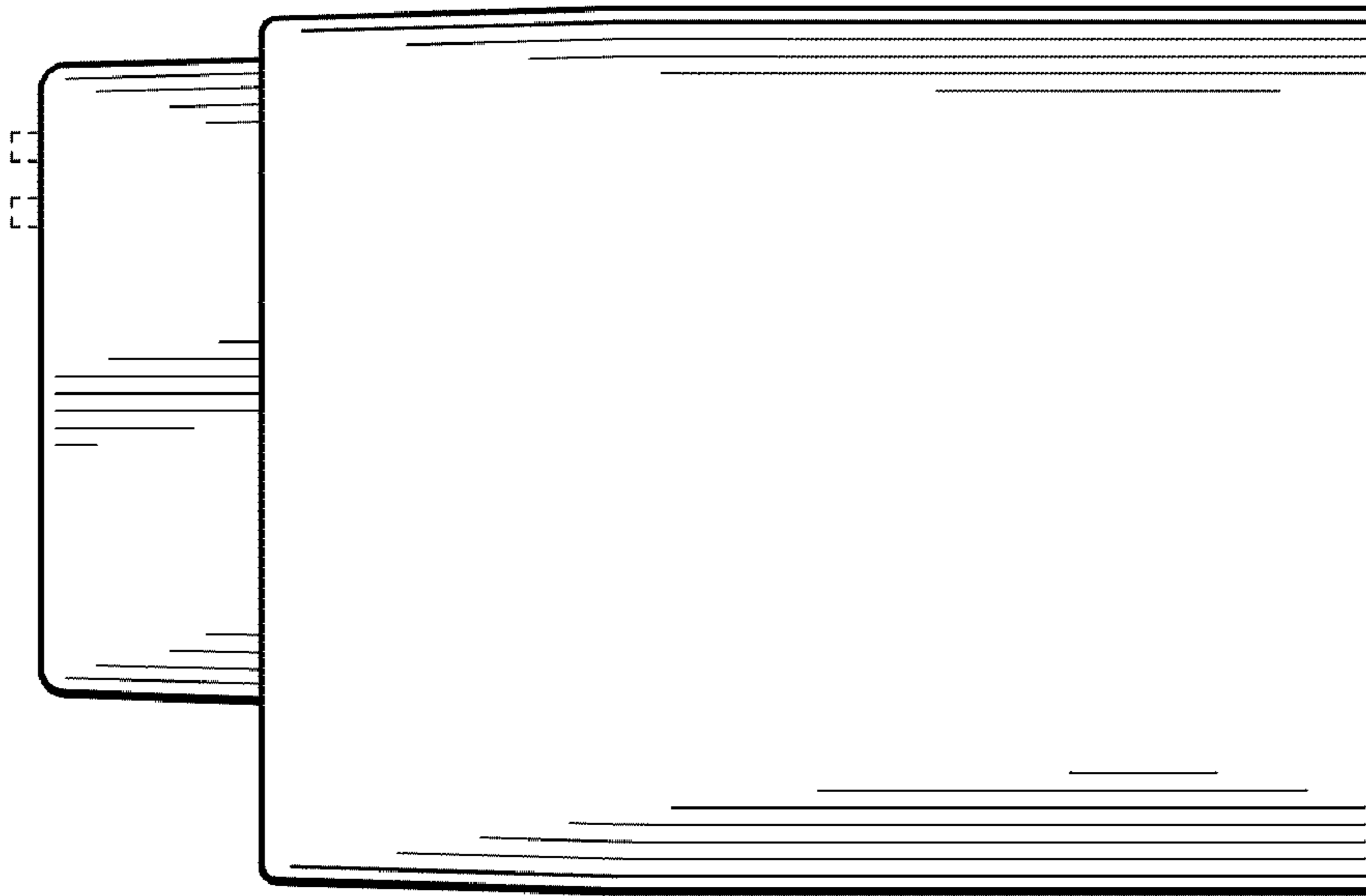
**Figure 99**



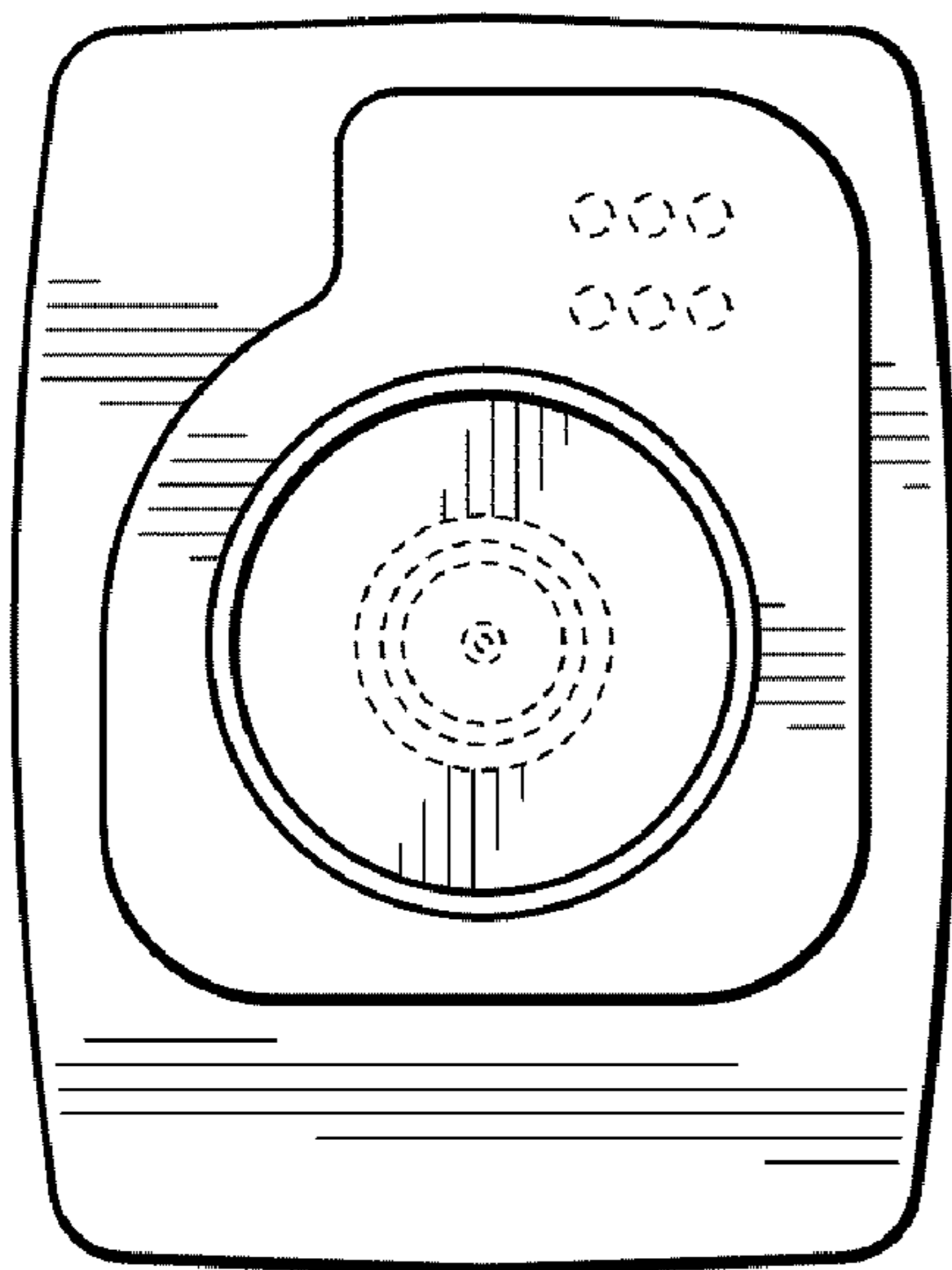
**Figure 100**



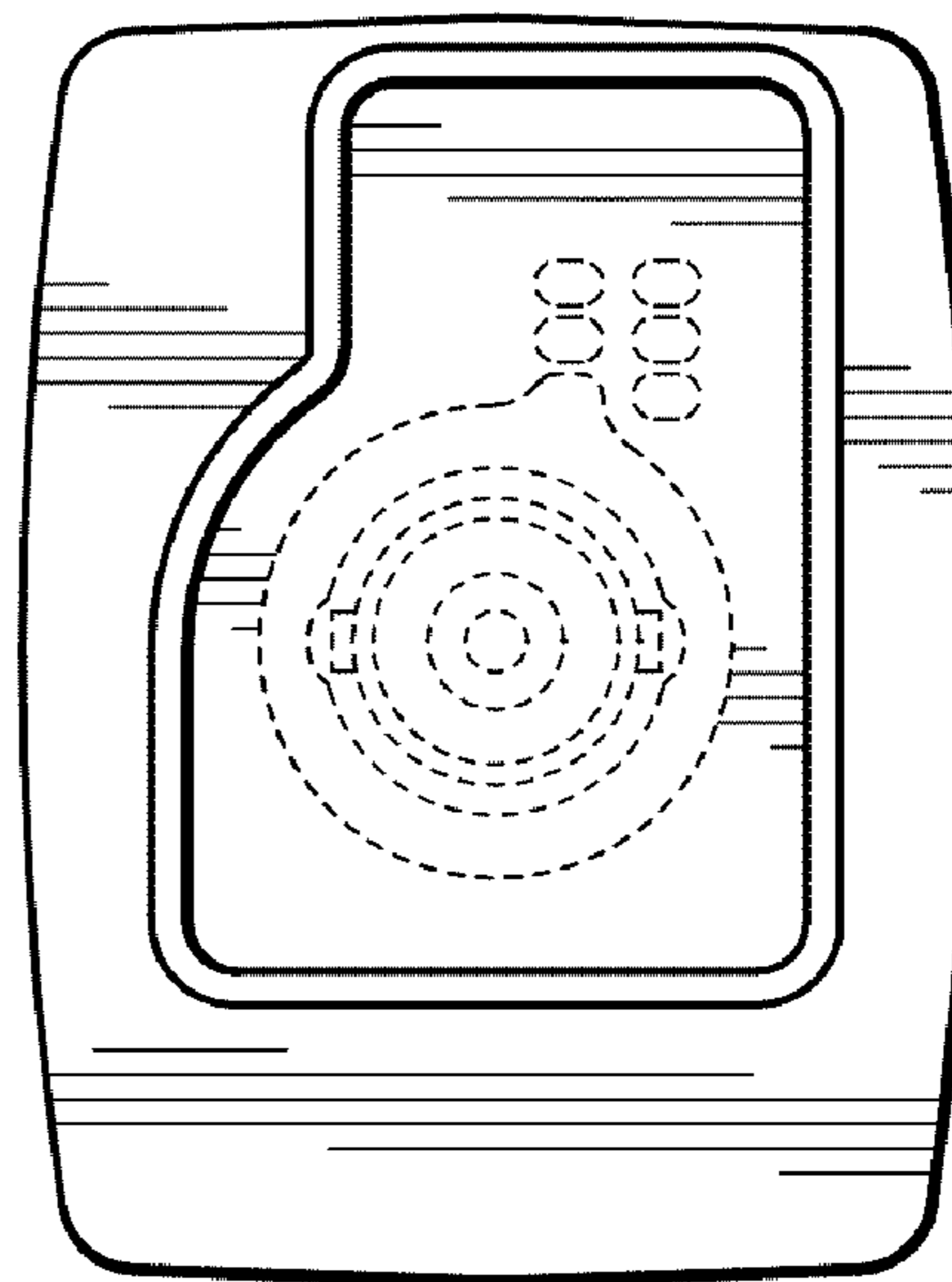
**Figure 101**



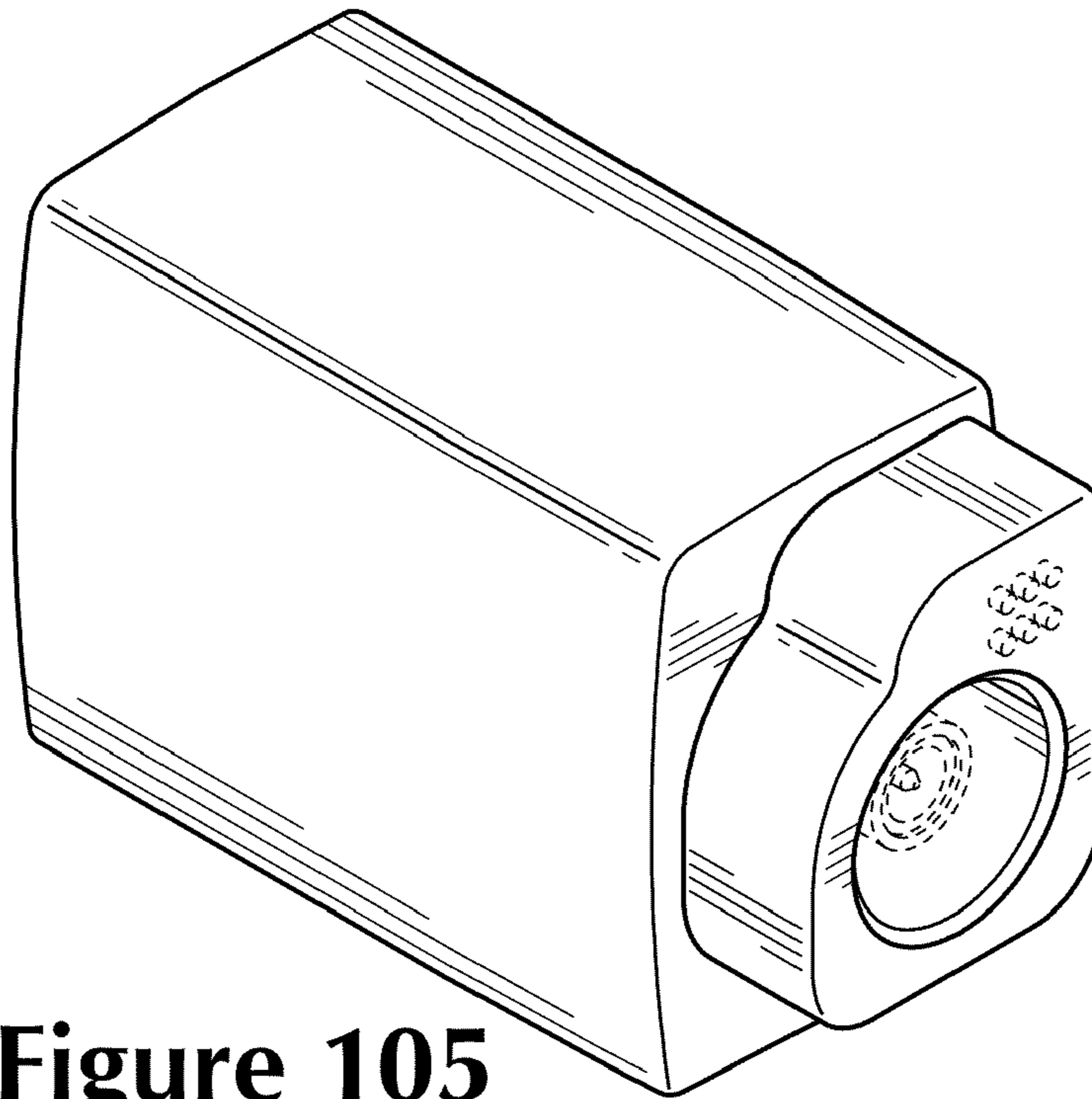
**Figure 102**



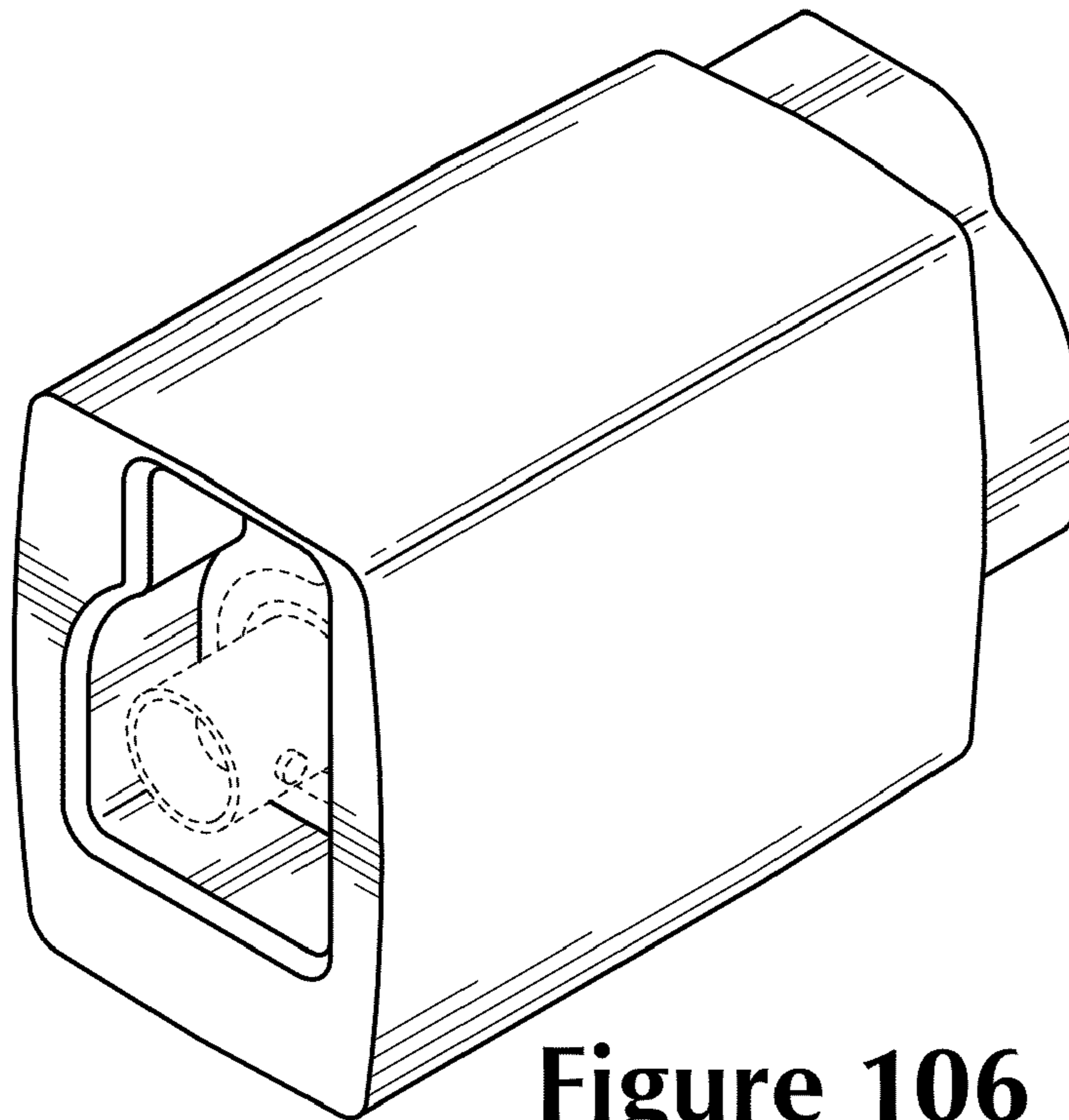
**Figure 103**



**Figure 104**

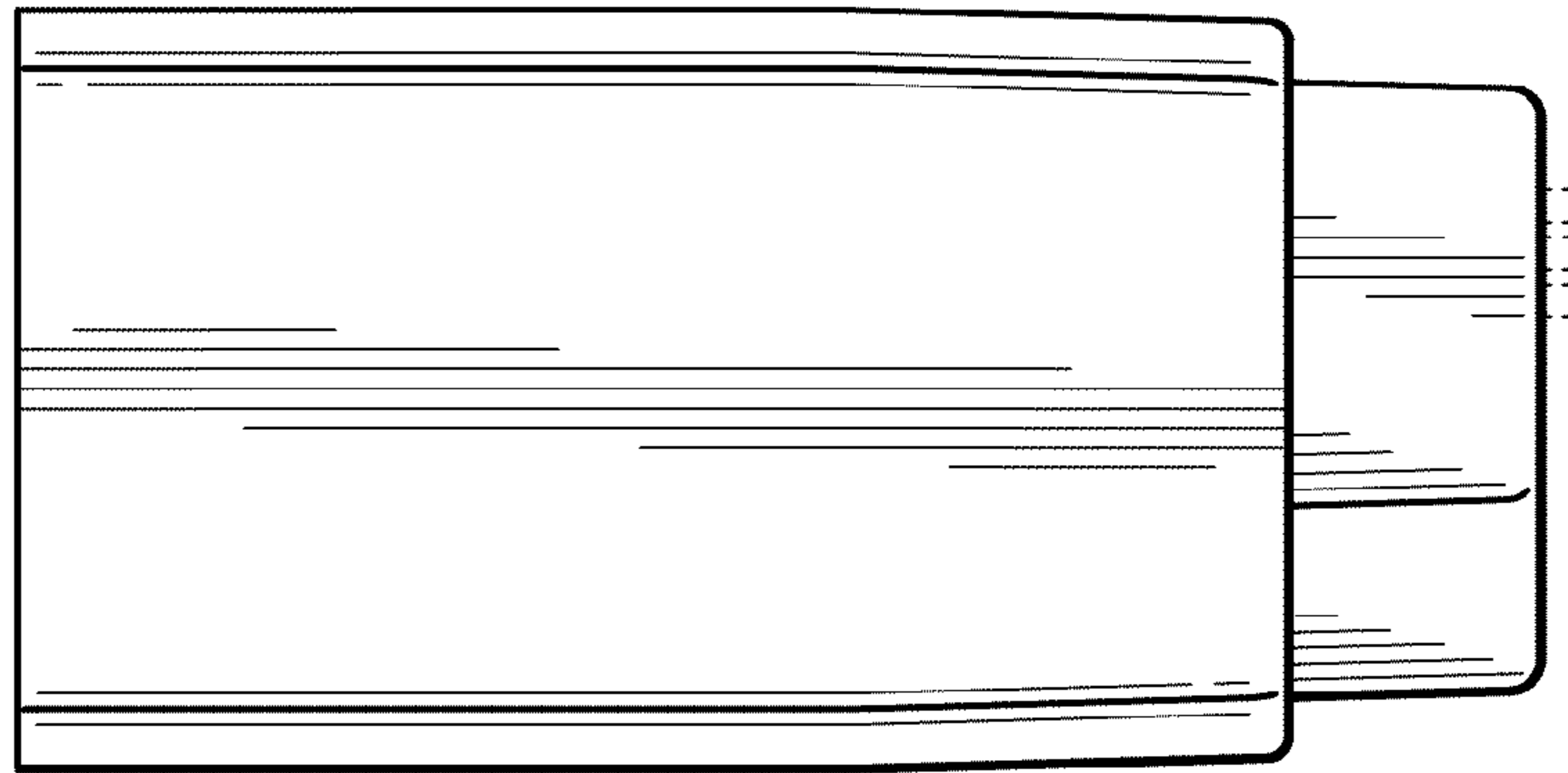


**Figure 105**

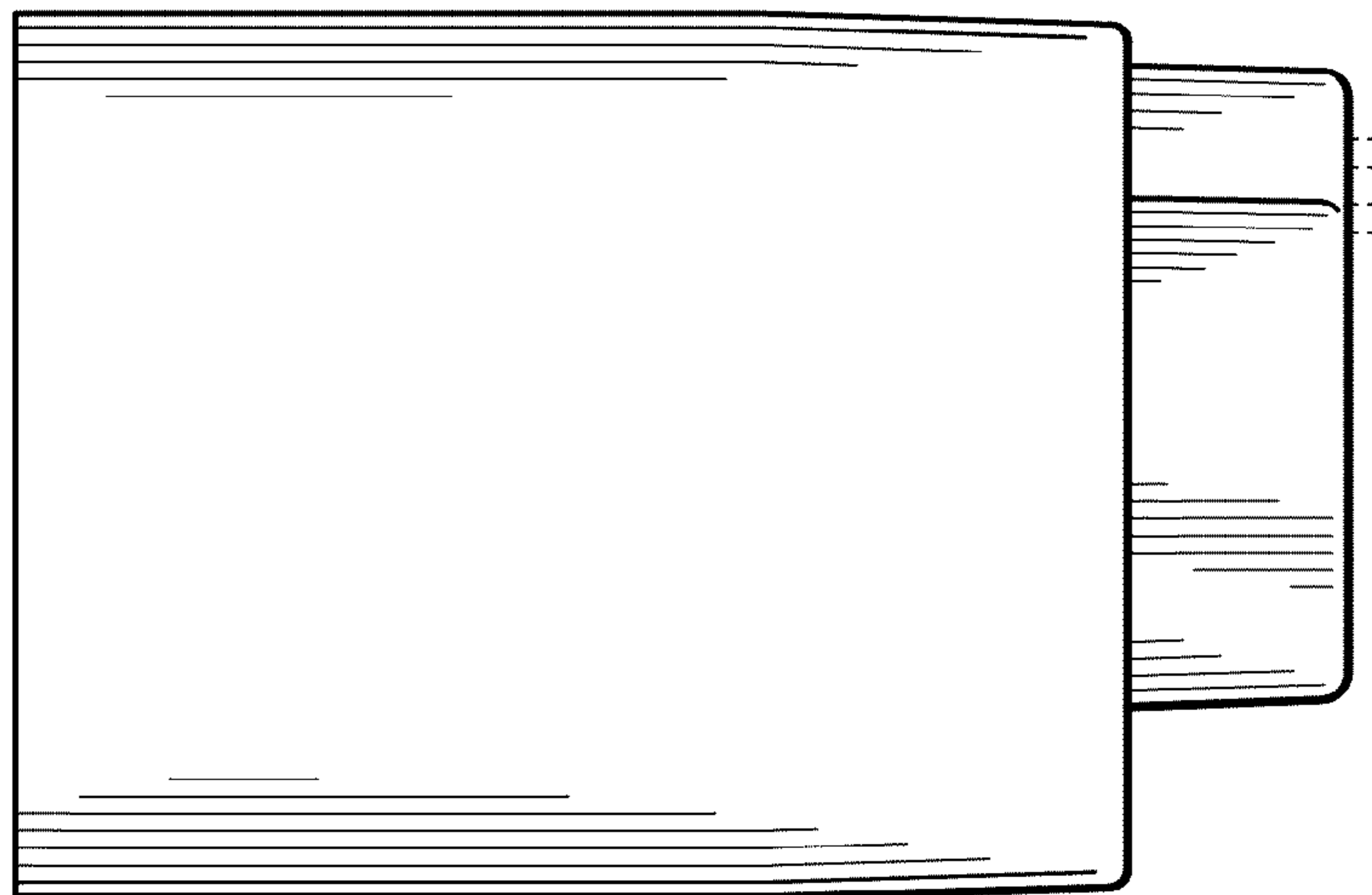


**Figure 106**

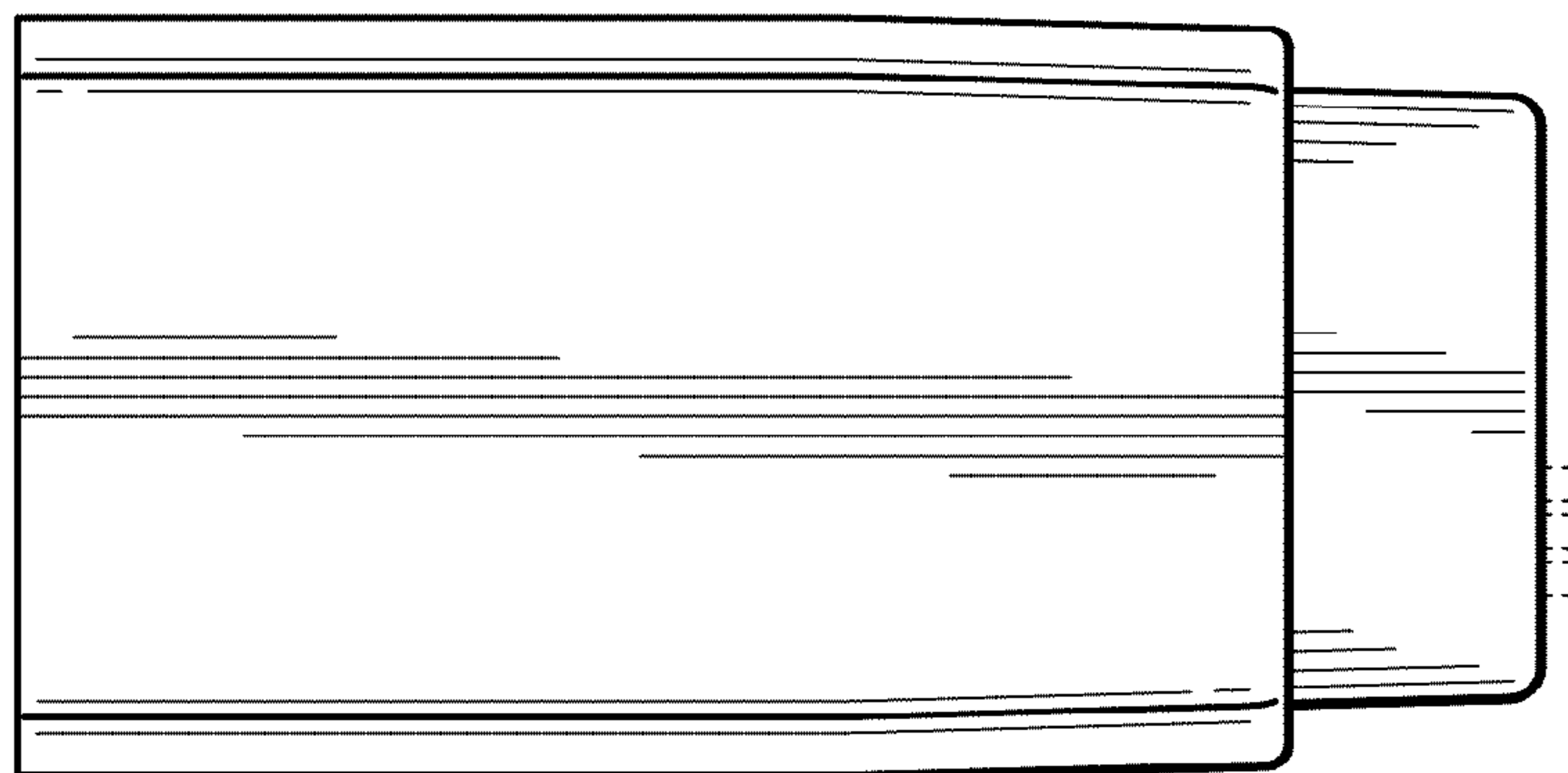




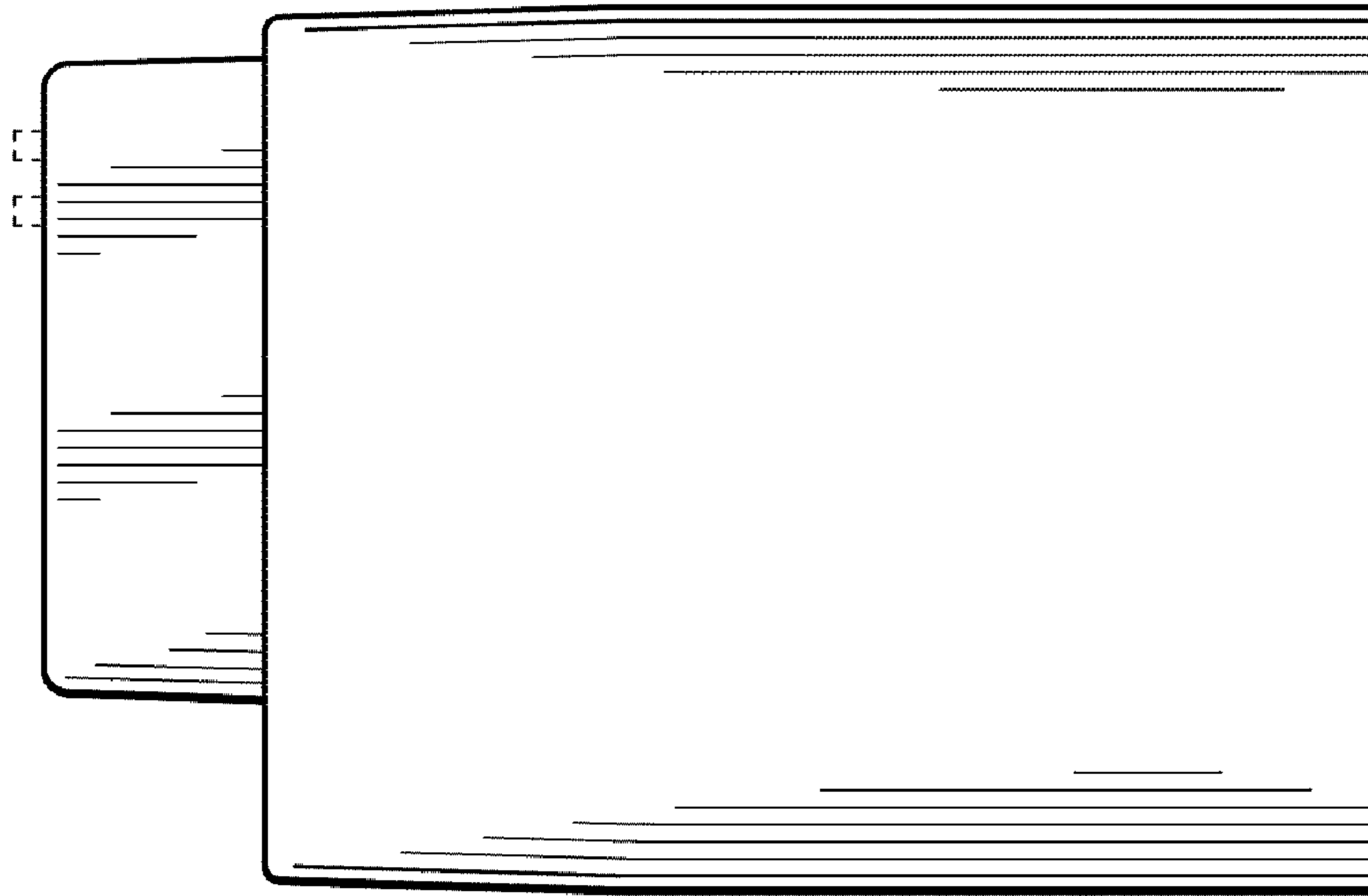
**Figure 107**



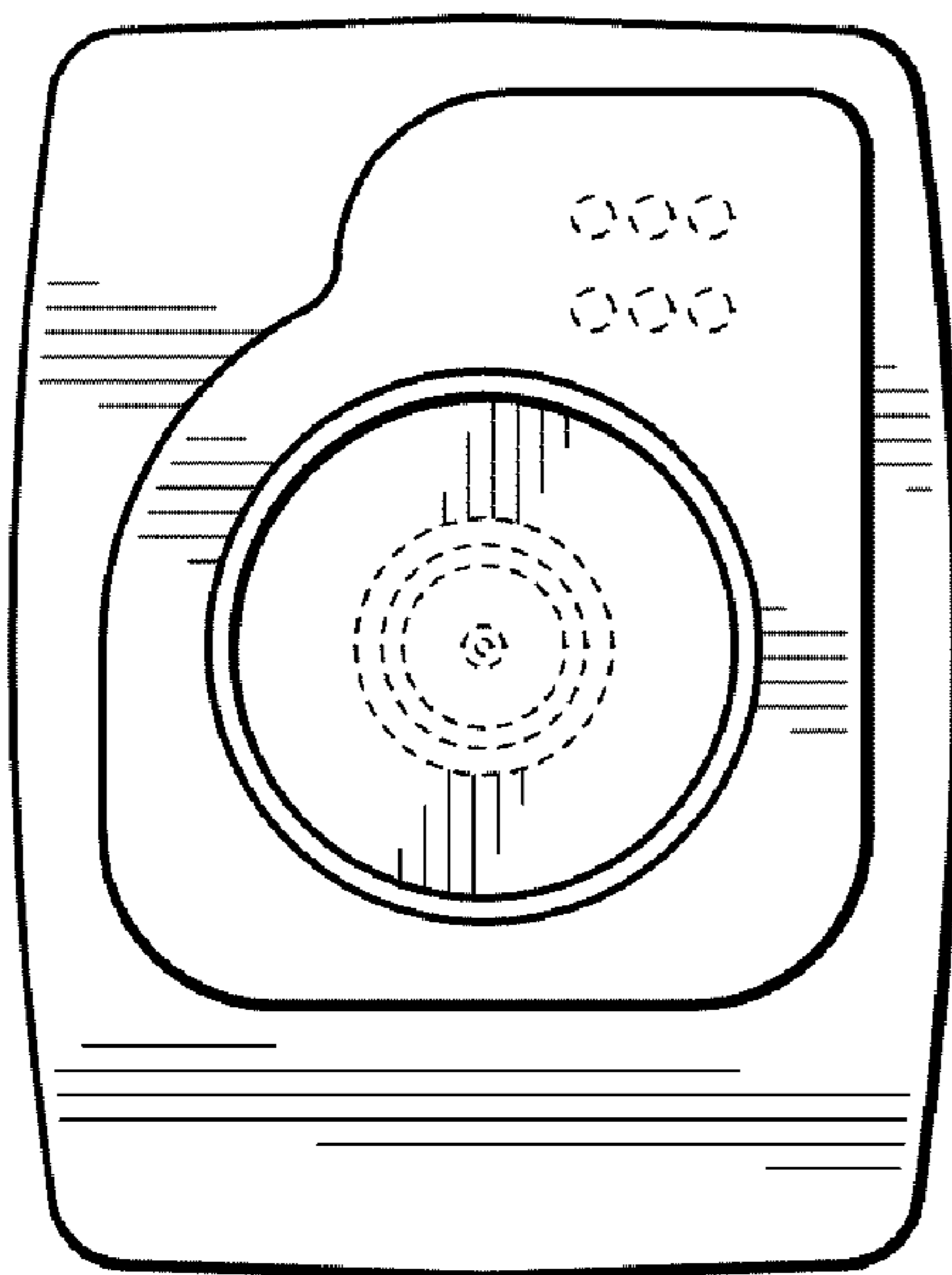
**Figure 108**



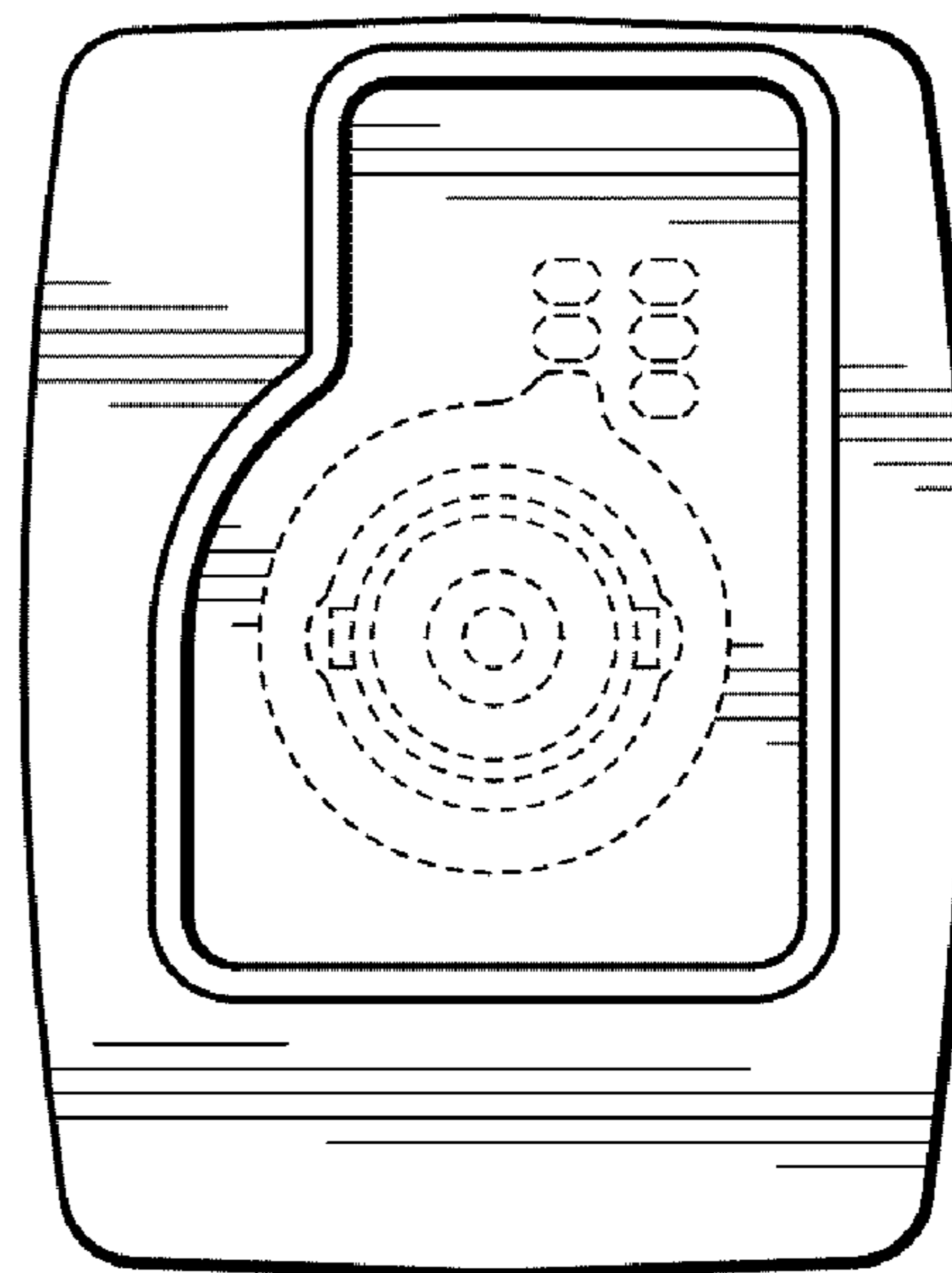
**Figure 109**



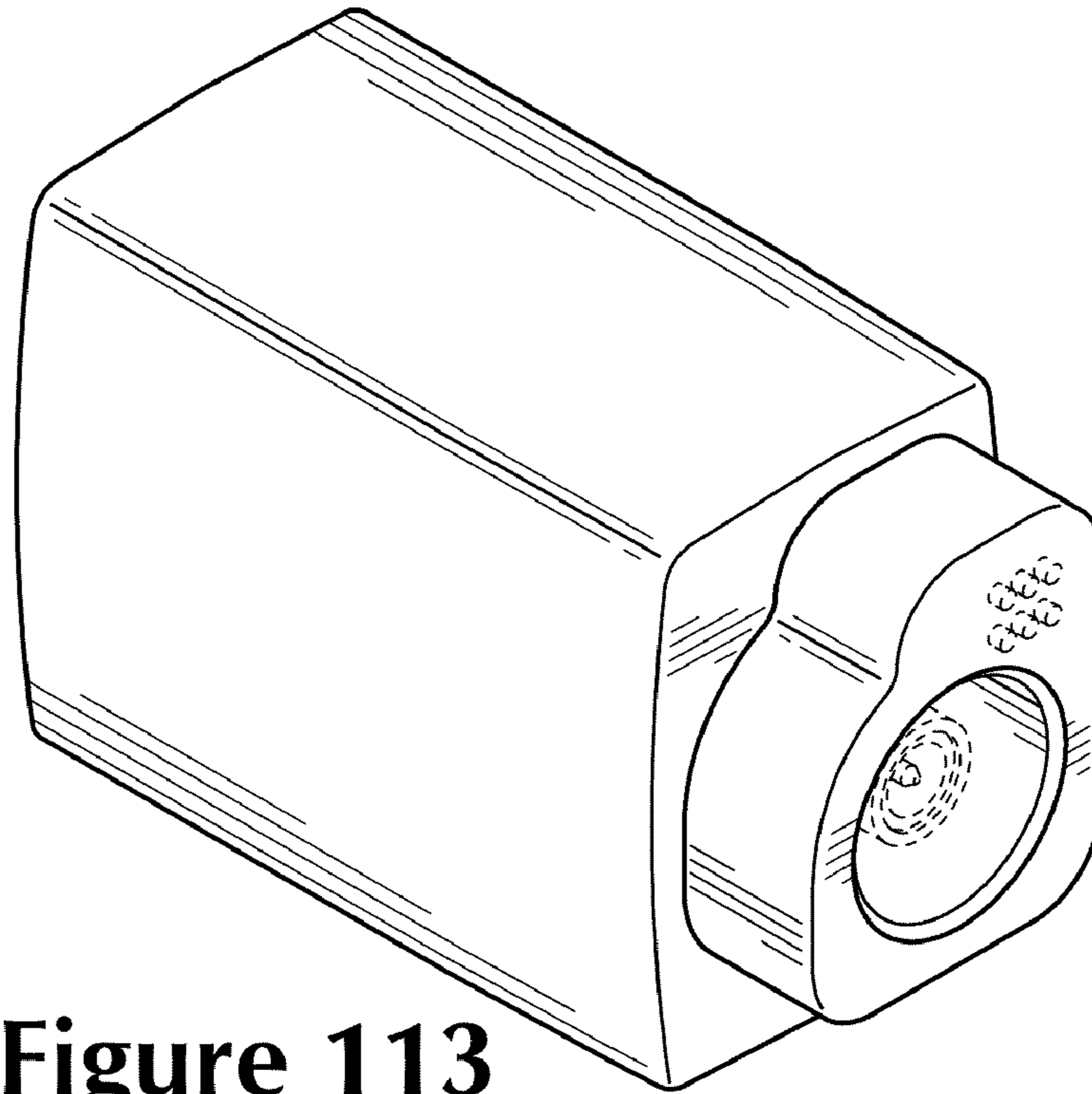
**Figure 110**



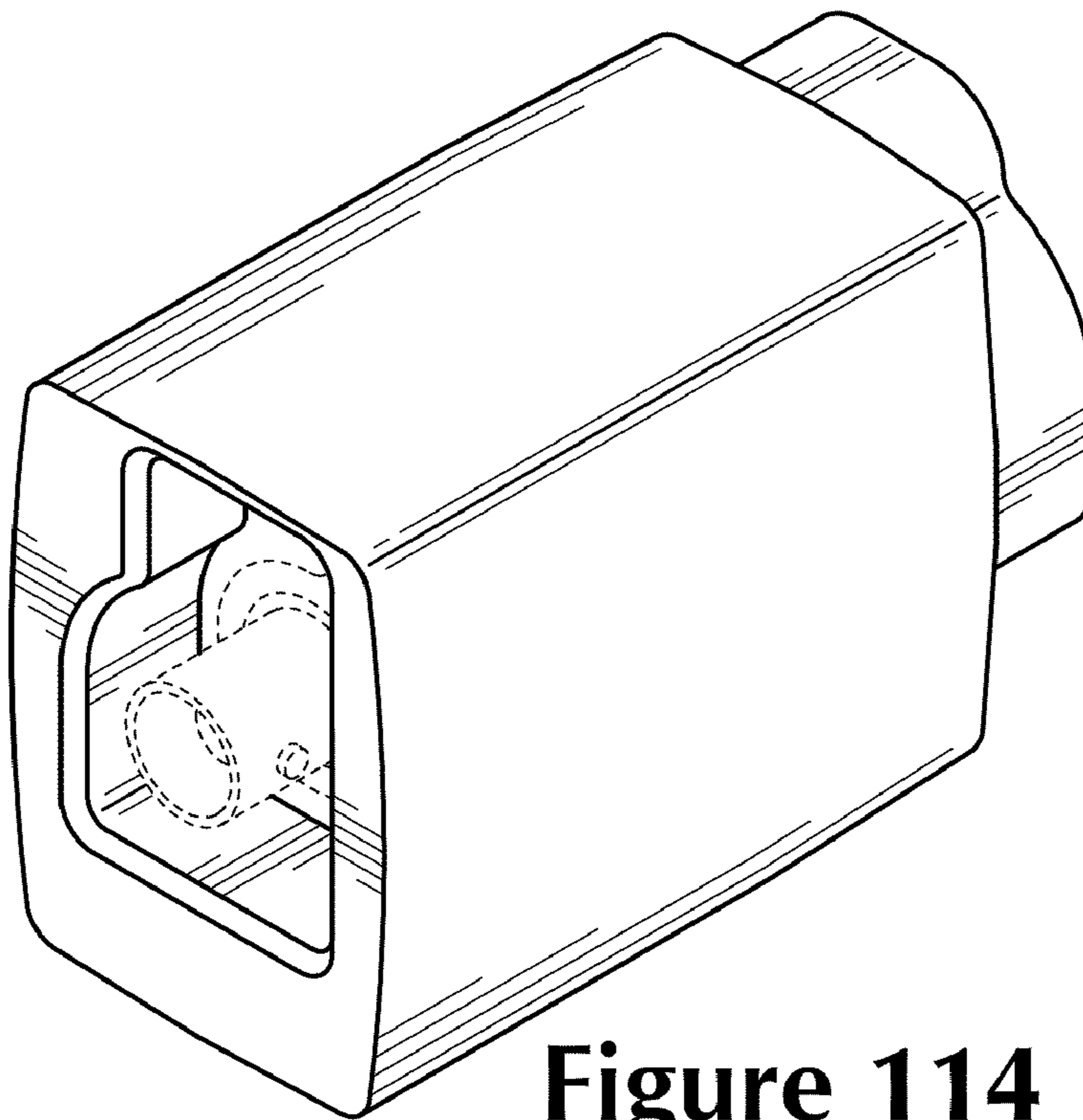
**Figure 111**



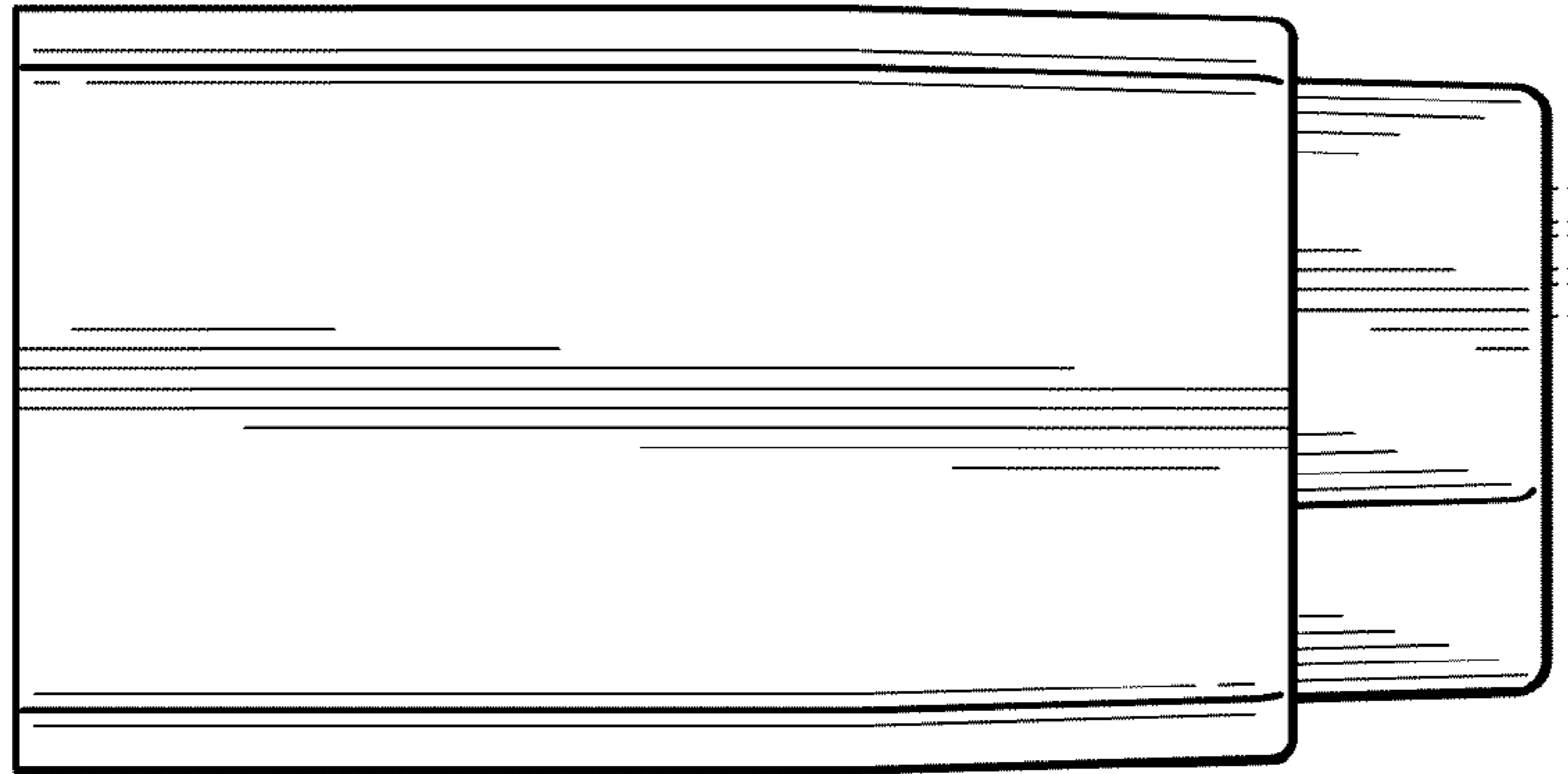
**Figure 112**



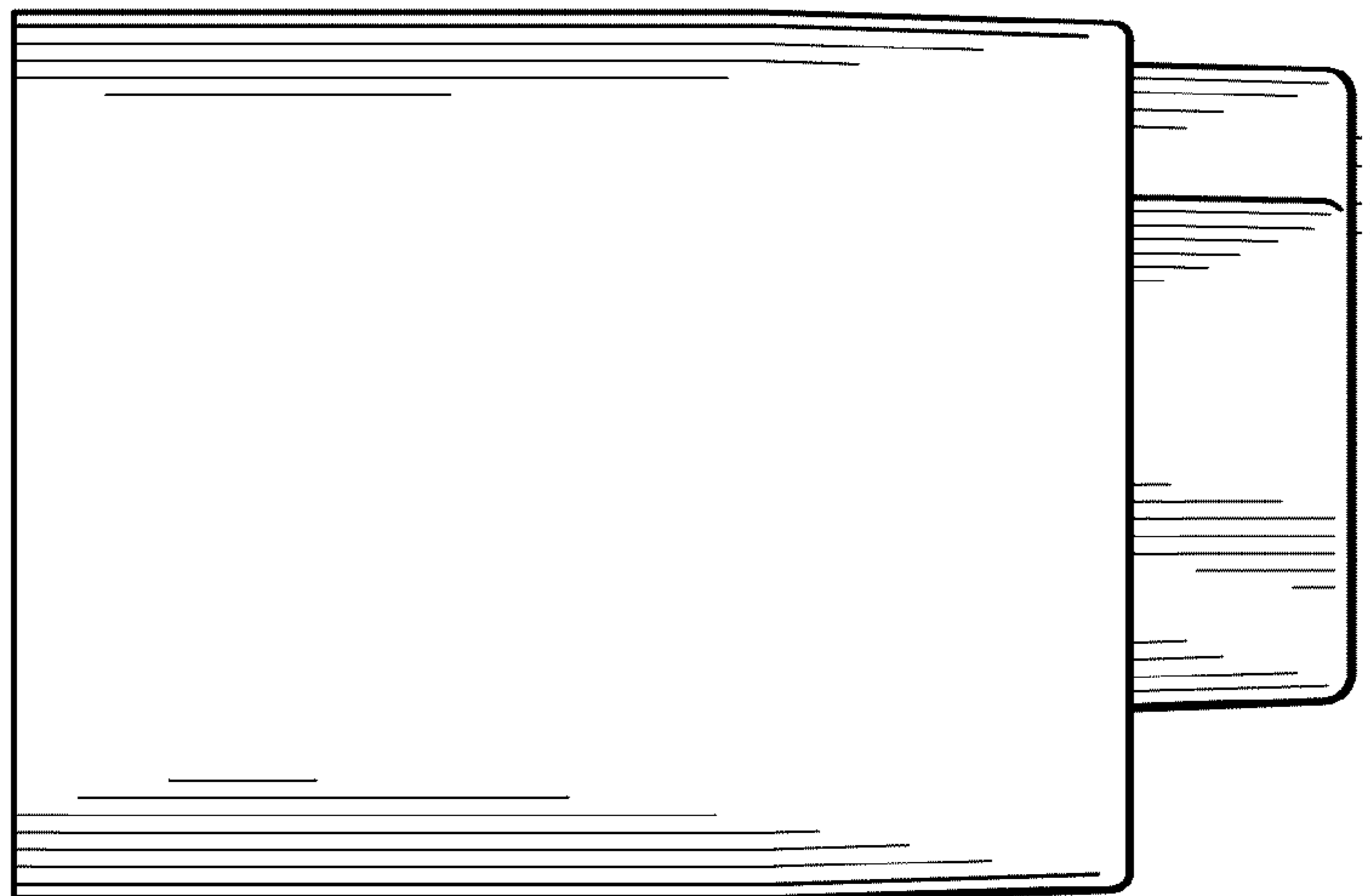
**Figure 113**



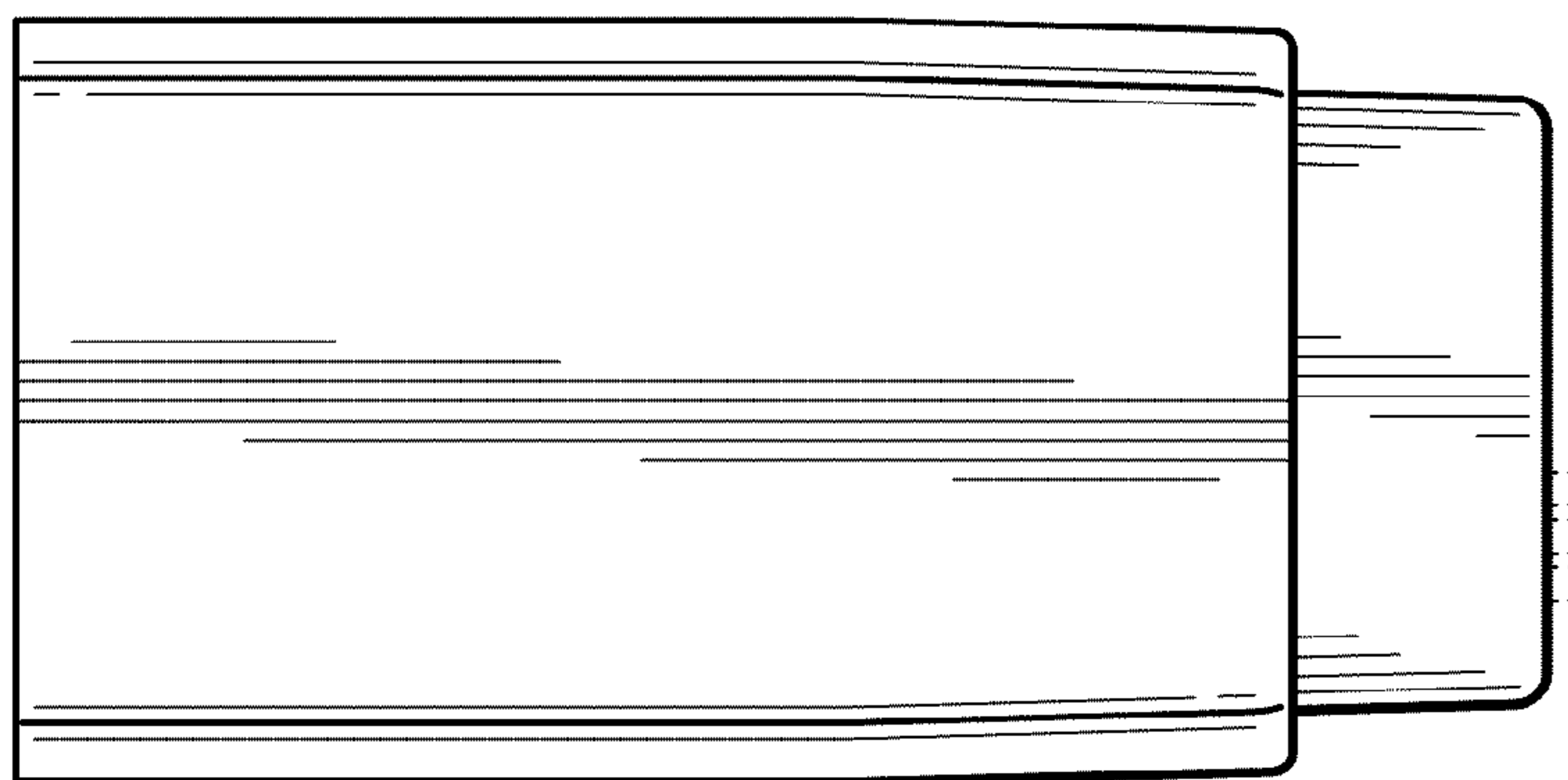
**Figure 114**



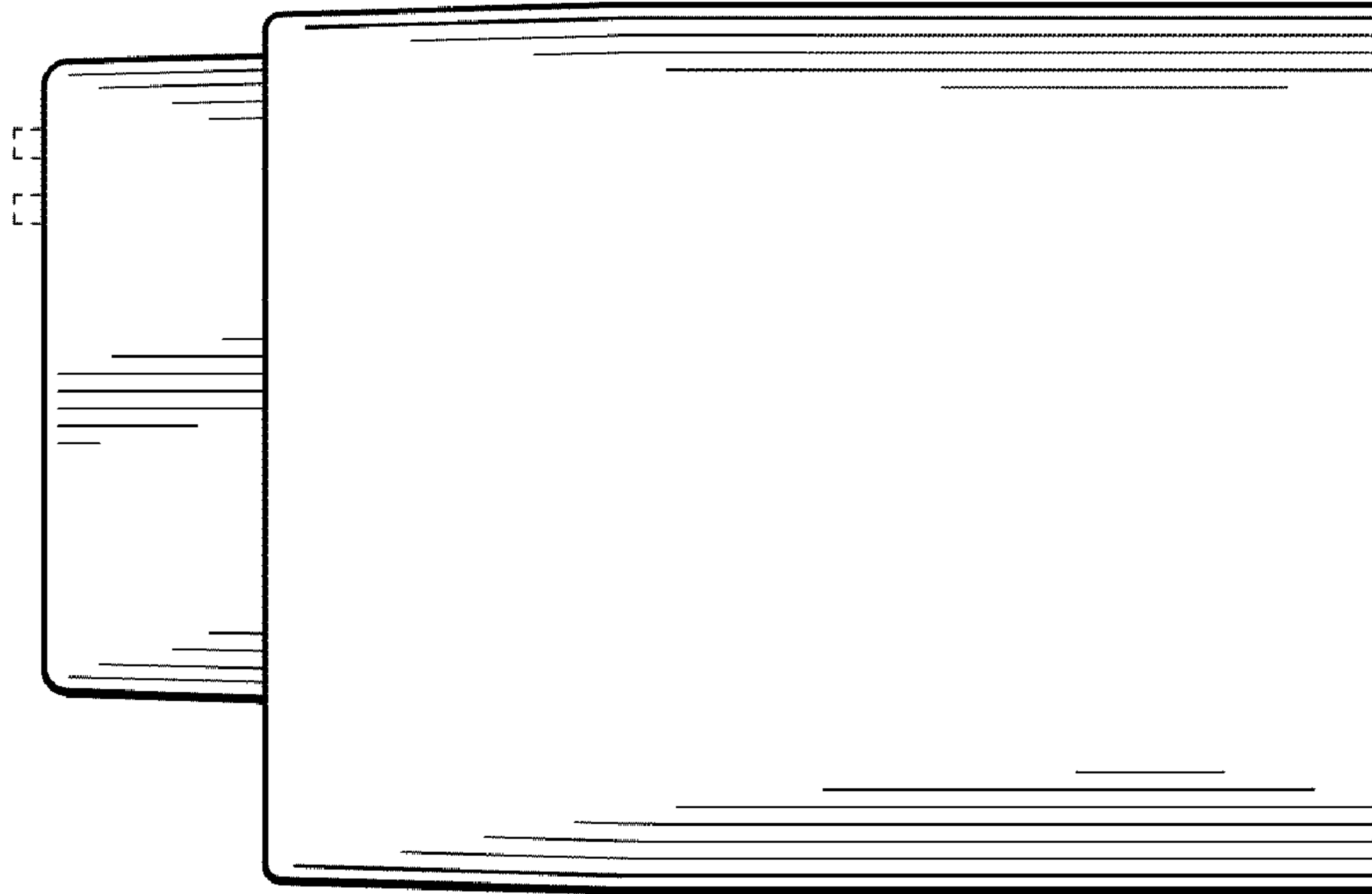
**Figure 115**



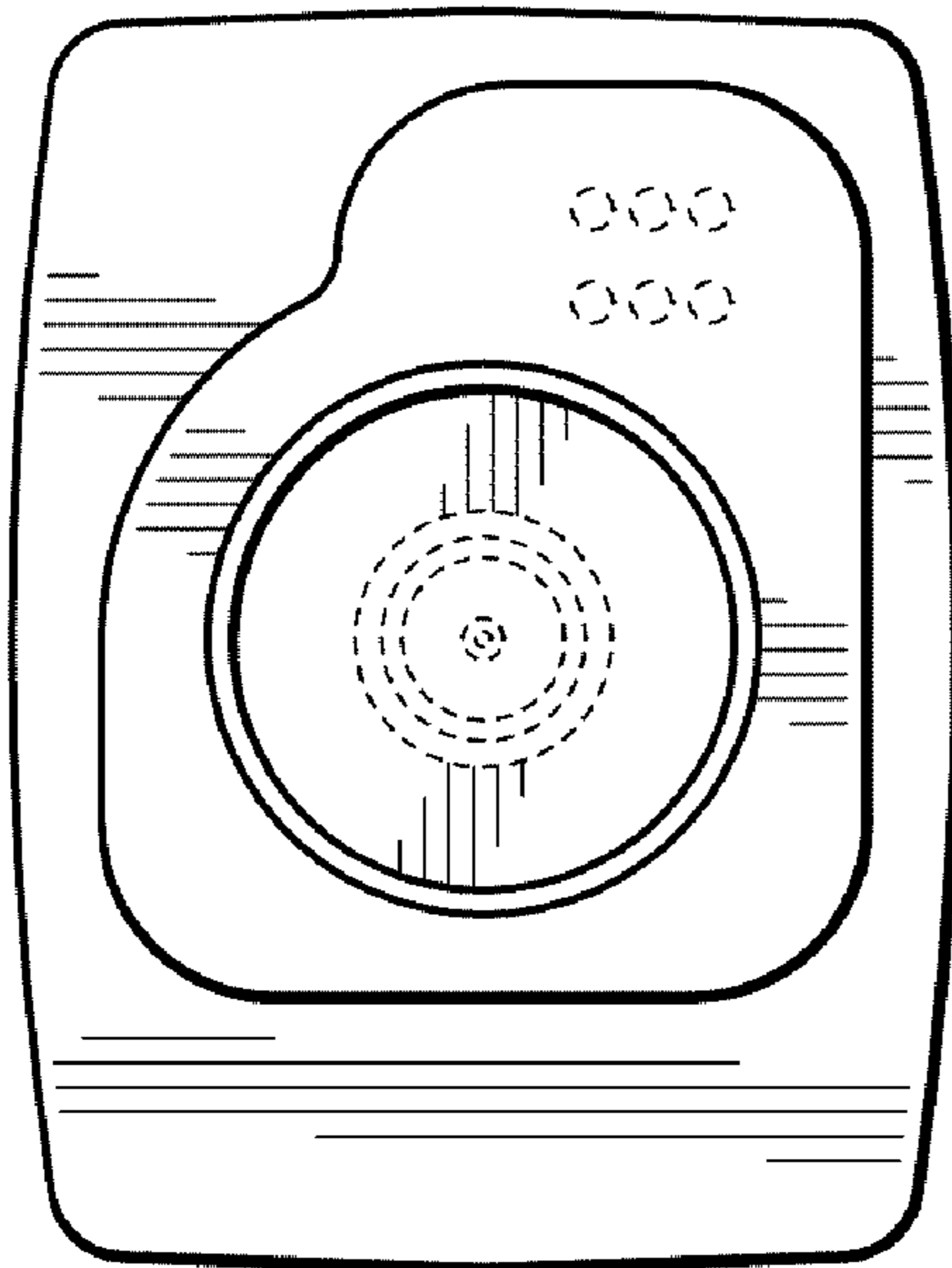
**Figure 116**



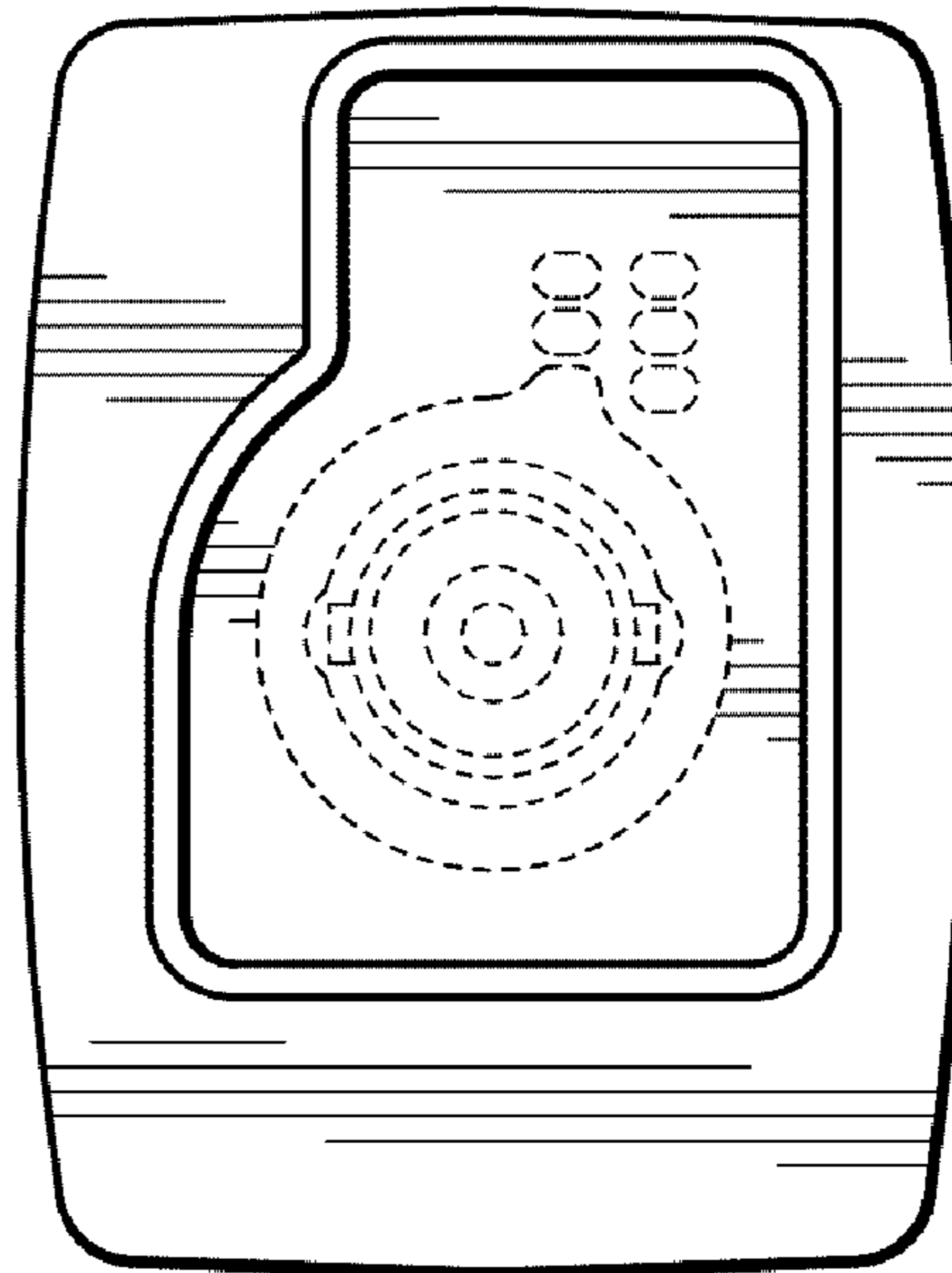
**Figure 117**



**Figure 118**



**Figure 119**



**Figure 120**