



US00D649970S

(12) **United States Design Patent**
Lyford et al.

(10) **Patent No.:** **US D649,970 S**

(45) **Date of Patent:** **** *Dec. 6, 2011**

(54) **ADAPTER USED WITH AN
ACCESSORY-HOST INTERFACE**

(75) Inventors: **J. Steven Lyford**, Portland, OR (US);
Robert R. Kreitzer, Tigard, OR (US)

(73) Assignee: **Tektronix, Inc.**, Beaverton, OR (US)

(*) Notice: This patent is subject to a terminal disclaimer.

(**) Term: **14 Years**

(21) Appl. No.: **29/383,022**

(22) Filed: **Jan. 11, 2011**

(51) **LOC (9) Cl.** **14-02**

(52) **U.S. Cl.** **D14/433**; D13/133; D13/147

(58) **Field of Classification Search** D14/356–358,
D14/383–385, 420, 426, 427, 432–439, 447,
D14/453, 454, 217, 253, 299; D13/107,
D13/108, 133, 146, 147, 152, 154, 156, 158,
D13/162, 162.1, 168, 173, 177; 385/53,
385/55; 439/680, 578, 638; D10/80

See application file for complete search history.

(56) **References Cited**

U.S. PATENT DOCUMENTS

D141,099	S	*	5/1945	Baumgardner	D13/173
D141,100	S	*	5/1945	Baumgardner	D13/173
D141,101	S	*	5/1945	Baumgardner	D13/173
D374,663	S	*	10/1996	Rodrigues et al.	D14/433
D384,035	S	*	9/1997	Kuprewicz et al.	D13/133
D389,121	S	*	1/1998	Kuprewicz et al.	D13/133
6,069,992	A	*	5/2000	Hyzin	385/55
D433,666	S	*	11/2000	Yang	D13/147
D454,113	S	*	3/2002	Ikeda et al.	D13/133
D454,333	S	*	3/2002	Ikeda et al.	D13/133
6,379,183	B1	*	4/2002	Ayres et al.	439/578
6,702,617	B1	*	3/2004	Clement et al.	439/607.08
D561,698	S	*	2/2008	Cuff et al.	D13/147
D563,881	S	*	3/2008	Howerton et al.	D13/147
D563,882	S	*	3/2008	Howerton et al.	D13/147
D563,883	S	*	3/2008	Dever	D13/147
D563,884	S	*	3/2008	Dever	D13/147
D563,885	S	*	3/2008	Dever	D13/147

D563,886	S	*	3/2008	Dever	D13/147
D563,887	S	*	3/2008	Dever	D13/147
D563,888	S	*	3/2008	Dever	D13/147
D565,443	S	*	4/2008	Frake et al.	D10/78
D566,046	S		4/2008	Gabel et al.		
D566,047	S		4/2008	Gabel et al.		
D568,821	S	*	5/2008	Ashida et al.	D13/147
D574,772	S	*	8/2008	Sutter	D13/133
D585,024	S	*	1/2009	Kudo	D13/133
D585,025	S	*	1/2009	Kudo	D13/133
D587,201	S	*	2/2009	Allwood et al.	D13/133
D589,044	S	*	3/2009	Yoshida et al.	D14/358
D596,126	S	*	7/2009	Norin et al.	D13/133
D603,341	S	*	11/2009	Kawakami et al.	D13/158
D627,731	S	*	11/2010	Huang et al.	D13/146
RE42,303	E	*	4/2011	Norin et al.	D13/133

* cited by examiner

Primary Examiner — Cathron Brooks

Assistant Examiner — Deanna Fluegeman

(74) *Attorney, Agent, or Firm* — William K. Bucher

(57) **CLAIM**

The ornamental design for an adapter used with an accessory-host interface, as shown and described.

DESCRIPTION

FIG. 1 is a front perspective view of a first embodiment showing the plug end of an adapter used with an accessory-host interface disposed in a host device;

FIG. 2 is a reverse perspective view of a first embodiment showing the receptacle end of the adapter used with an accessory-host interface;

FIG. 3 is a top plan view of a first embodiment of the adapter used with an accessory-host interface;

FIG. 4 is a left side elevation view of a first embodiment of the adapter used with an accessory-host interface;

FIG. 5 is a bottom plan view of a first embodiment of the adapter used with an accessory-host interface;

FIG. 6 is a right side elevation view of a first embodiment of the adapter used with an accessory-host interface;

FIG. 7 is a front elevation view of a first embodiment of the adapter used with an accessory-host interface;

FIG. 8 is a reverse elevation view of a first embodiment of the adapter used with an accessory-host interface;

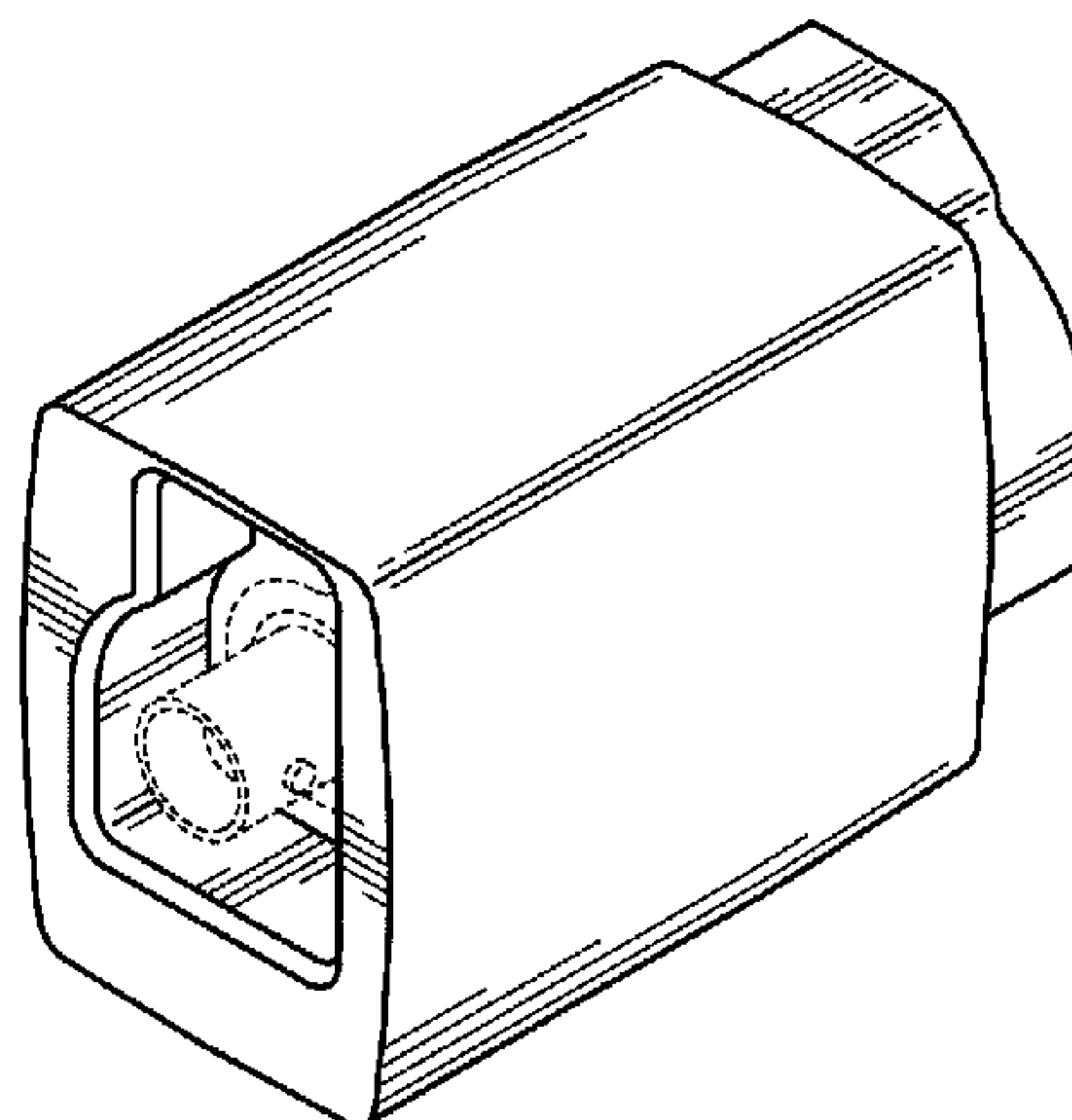
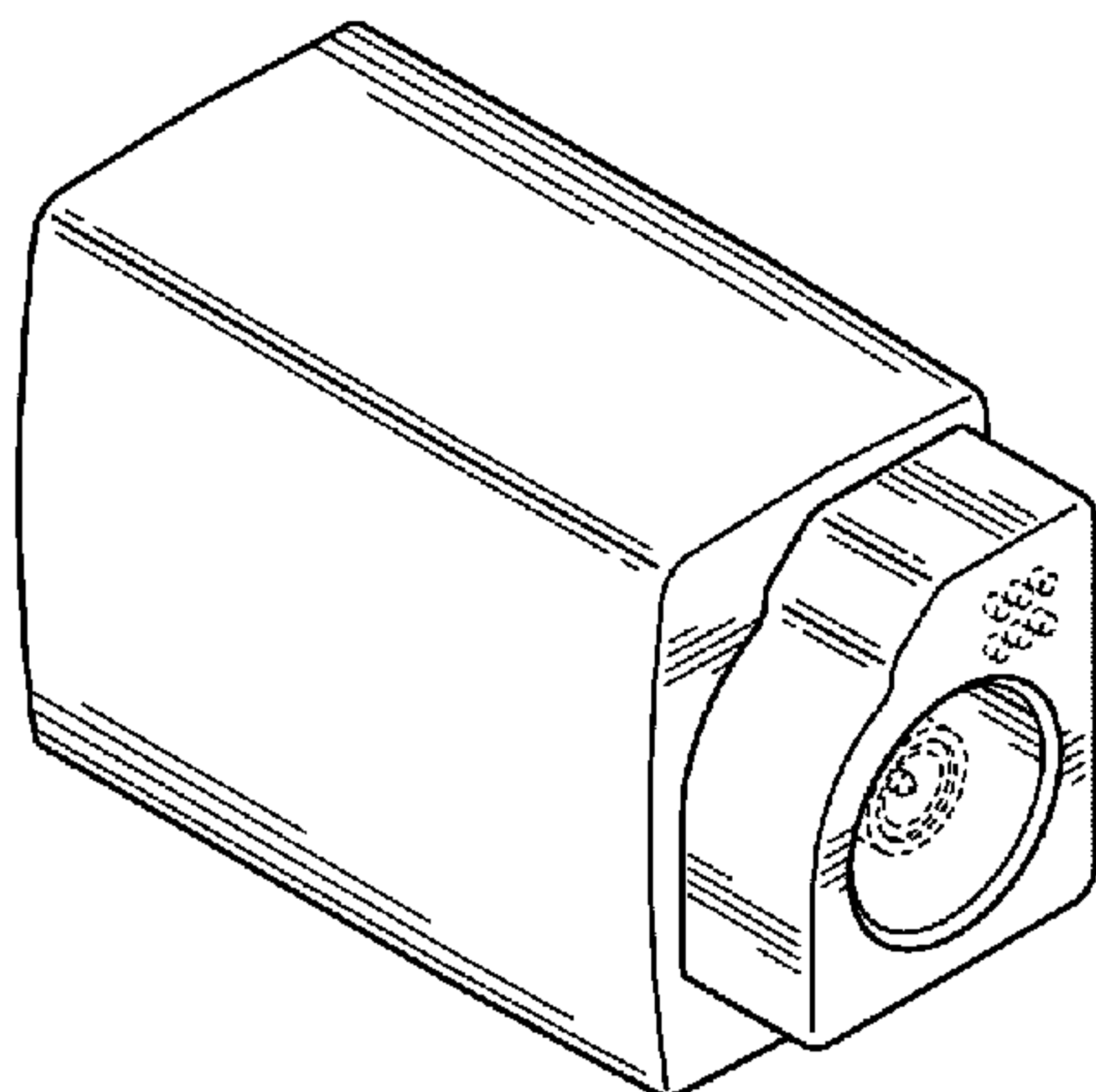


FIG. 66 is a reverse perspective view of a ninth embodiment showing the receptacle end of the adapter used with an accessory-host interface;

FIG. 67 is a top plan view of a ninth embodiment of the adapter used with an accessory-host interface;

FIG. 68 is a left side elevation view of a ninth embodiment of the adapter used with an accessory-host interface;

FIG. 69 is a bottom plan view of a ninth embodiment of the adapter used with an accessory-host interface;

FIG. 70 is a right side elevation view of a ninth embodiment of the adapter used with an accessory-host interface;

FIG. 71 is a front elevation view of a ninth embodiment of the adapter used with an accessory-host interface;

FIG. 72 is a reverse elevation view of a ninth embodiment of the adapter used with an accessory-host interface;

FIG. 73 is a front perspective view of a tenth embodiment showing the plug end of an adapter used with an accessory-host interface disposed in a host device;

FIG. 74 is a reverse perspective view of a tenth embodiment showing the receptacle end of the adapter used with an accessory-host interface;

FIG. 75 is a top plan view of a tenth embodiment of the adapter used with an accessory-host interface;

FIG. 76 is a left side elevation view of a tenth embodiment of the adapter used with an accessory-host interface;

FIG. 77 is a bottom plan view of a tenth embodiment of the adapter used with an accessory-host interface;

FIG. 78 is a right side elevation view of a tenth embodiment of the adapter used with an accessory-host interface;

FIG. 79 is a front elevation view of a tenth embodiment of the adapter used with an accessory-host interface;

FIG. 80 is a reverse elevation view of a tenth embodiment of the adapter used with an accessory-host interface;

FIG. 81 is a front perspective view of an eleventh embodiment showing the plug end of an adapter used with an accessory-host interface disposed in a host device;

FIG. 82 is a reverse perspective view of an eleventh embodiment showing the receptacle end of the adapter used with an accessory-host interface;

FIG. 83 is a top plan view of an eleventh embodiment of the adapter used with an accessory-host interface;

FIG. 84 is a left side elevation view of an eleventh embodiment of the adapter used with an accessory-host interface;

FIG. 85 is a bottom plan view of an eleventh embodiment of the adapter used with an accessory-host interface;

FIG. 86 is a right side elevation view of an eleventh embodiment of the adapter used with an accessory-host interface;

FIG. 87 is a front elevation view of an eleventh embodiment of the adapter used with an accessory-host interface;

FIG. 88 is a reverse elevation view of an eleventh embodiment of the adapter used with an accessory-host interface;

FIG. 89 is a front perspective view of a twelfth embodiment showing the plug end of an adapter used with an accessory-host interface disposed in a host device;

FIG. 90 is a reverse perspective view of a twelfth embodiment showing the receptacle end of the adapter used with an accessory-host interface;

FIG. 91 is a top plan view of a twelfth embodiment of the adapter used with an accessory-host interface;

FIG. 92 is a left side elevation view of a twelfth embodiment of the adapter used with an accessory-host interface;

FIG. 93 is a bottom plan view of a twelfth embodiment of the adapter used with an accessory-host interface;

FIG. 94 is a right side elevation view of a twelfth embodiment of the adapter used with an accessory-host interface;

FIG. 95 is a front elevation view of a twelfth embodiment of the adapter used with an accessory-host interface;

FIG. 96 is a reverse elevation view of a twelfth embodiment of the adapter used with an accessory-host interface;

FIG. 97 is a front perspective view of a thirteenth embodiment showing the plug end of an adapter used with an accessory-host interface disposed in a host device;

FIG. 98 is a reverse perspective view of a thirteenth embodiment showing the receptacle end of the adapter used with an accessory-host interface;

FIG. 99 is a top plan view of a thirteenth embodiment of the adapter used with an accessory-host interface;

FIG. 100 is a left side elevation view of a thirteenth embodiment of the adapter used with an accessory-host interface;

FIG. 101 is a bottom plan view of a thirteenth embodiment of the adapter used with an accessory-host interface;

FIG. 102 is a right side elevation view of a thirteenth embodiment of the adapter used with an accessory-host interface;

FIG. 103 is a front elevation view of a thirteenth embodiment of the adapter used with an accessory-host interface;

FIG. 104 is a reverse elevation view of a thirteenth embodiment of the adapter used with an accessory-host interface;

FIG. 105 is a front perspective view of a fourteenth embodiment showing the plug end of an adapter used with an accessory-host interface disposed in a host device;

FIG. 106 is a reverse perspective view of a fourteenth embodiment showing the receptacle end of the adapter used with an accessory-host interface;

FIG. 107 is a top plan view of a fourteenth embodiment of the adapter used with an accessory-host interface;

FIG. 108 is a left side elevation view of a fourteenth embodiment of the adapter used with an accessory-host interface;

FIG. 109 is a bottom plan view of a fourteenth embodiment of the adapter used with an accessory-host interface;

FIG. 110 is a right side elevation view of a fourteenth embodiment of the adapter used with an accessory-host interface;

FIG. 111 is a front elevation view of a fourteenth embodiment of the adapter used with an accessory-host interface;

FIG. 112 is a reverse elevation view of a fourteenth embodiment of the adapter used with an accessory-host interface;

FIG. 113 is a front perspective view of a fifteenth embodiment showing the plug end of an adapter used with an accessory-host interface disposed in a host device;

FIG. 114 is a reverse perspective view of a fifteenth embodiment showing the receptacle end of the adapter used with an accessory-host interface;

FIG. 115 is a top plan view of a fifteenth embodiment of the adapter used with an accessory-host interface;

FIG. 116 is a left side elevation view of a fifteenth embodiment of the adapter used with an accessory-host interface;

FIG. 117 is a bottom plan view of a fifteenth embodiment of the adapter used with an accessory-host interface;

FIG. 118 is a right side elevation view of a fifteenth embodiment of the adapter used with an accessory-host interface;

FIG. 119 is a front elevation view of a fifteenth embodiment of the adapter used with an accessory-host interface; and,

FIG. 120 is a reverse elevation view of a fifteenth embodiment of the adapter used with an accessory-host interface.

The broken lines in the drawings illustrate unclaimed portions of the adapter used with an accessory-host interface and form no part of the claimed invention.

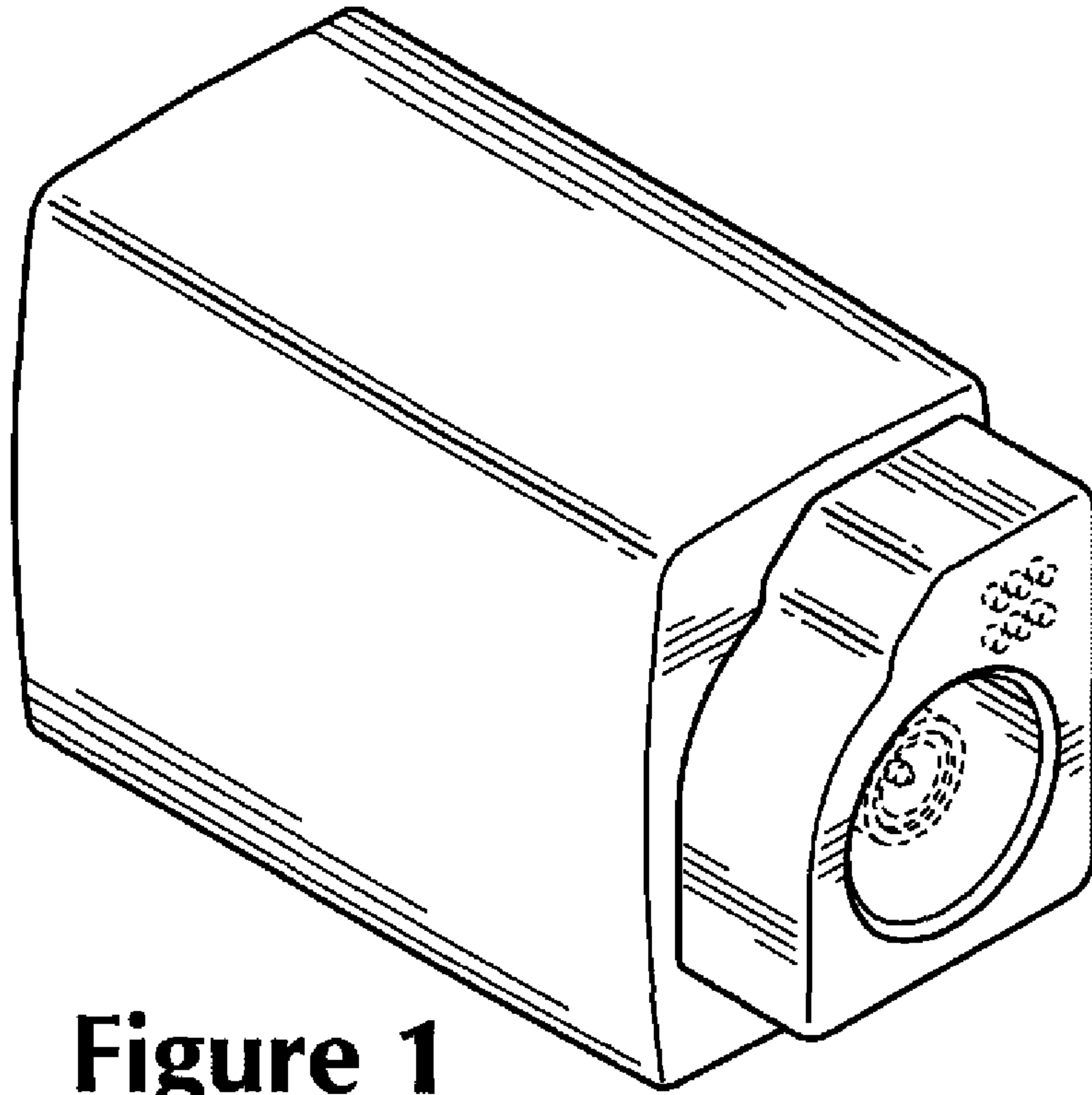


Figure 1

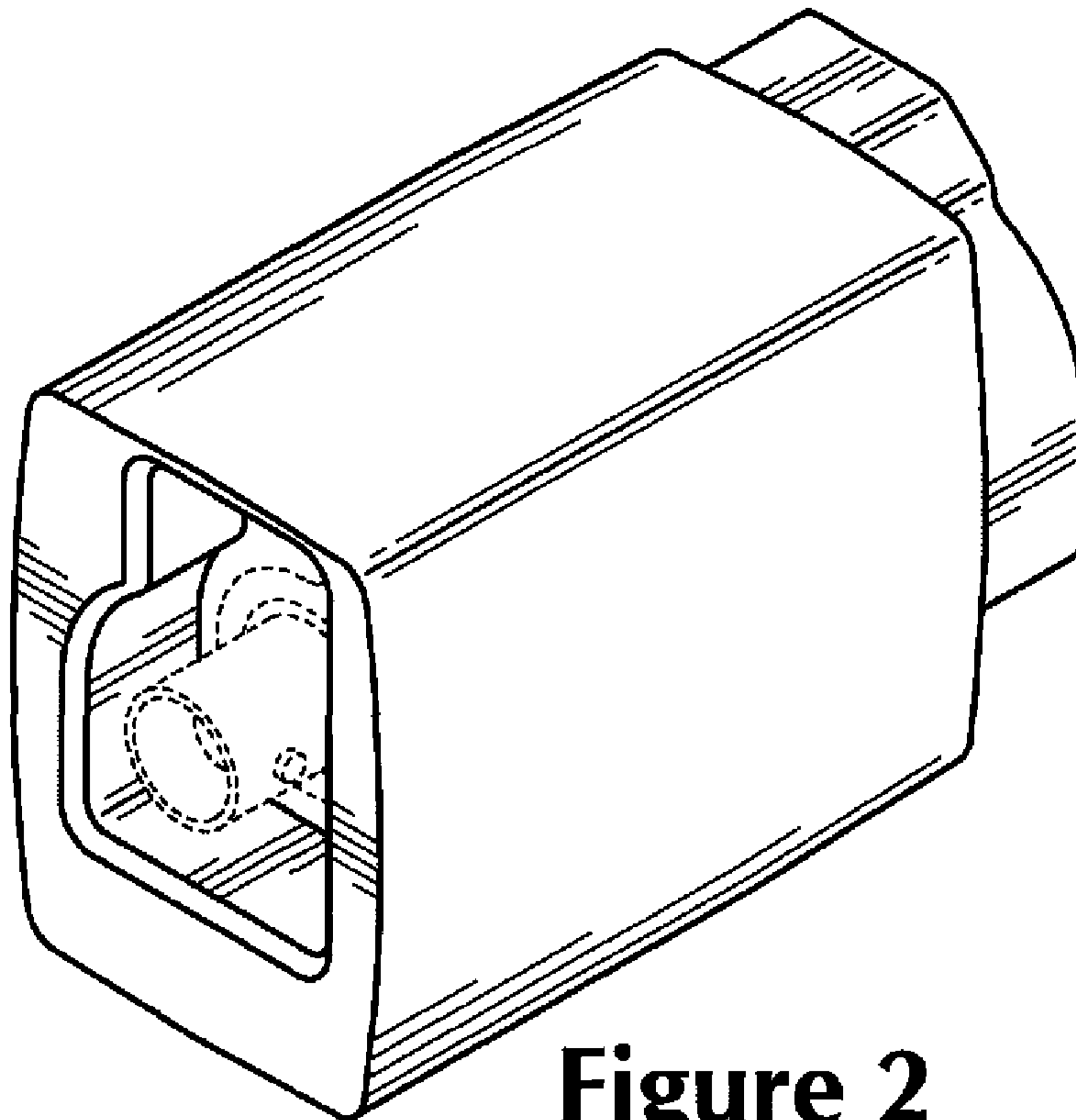


Figure 2

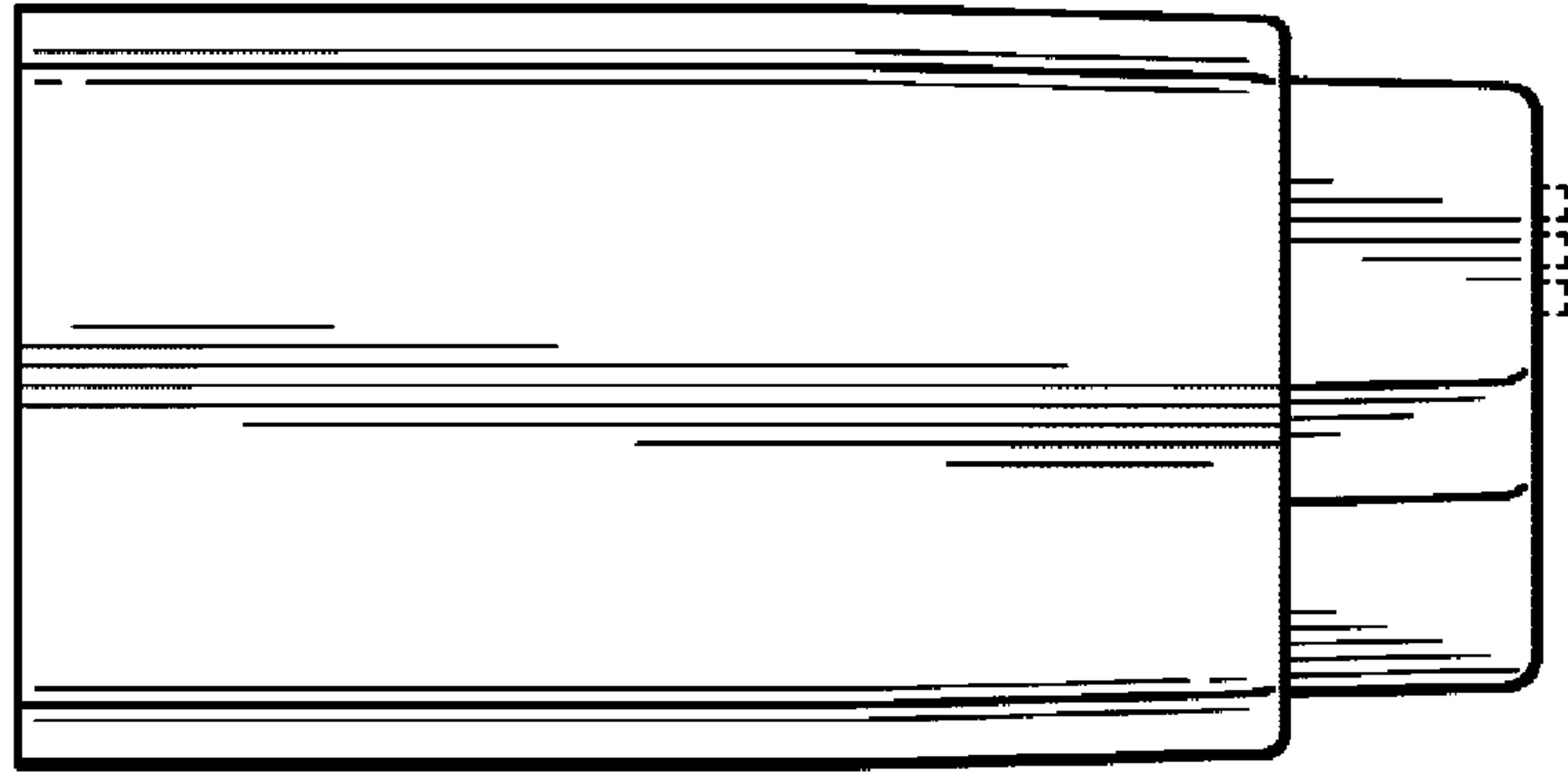


Figure 3

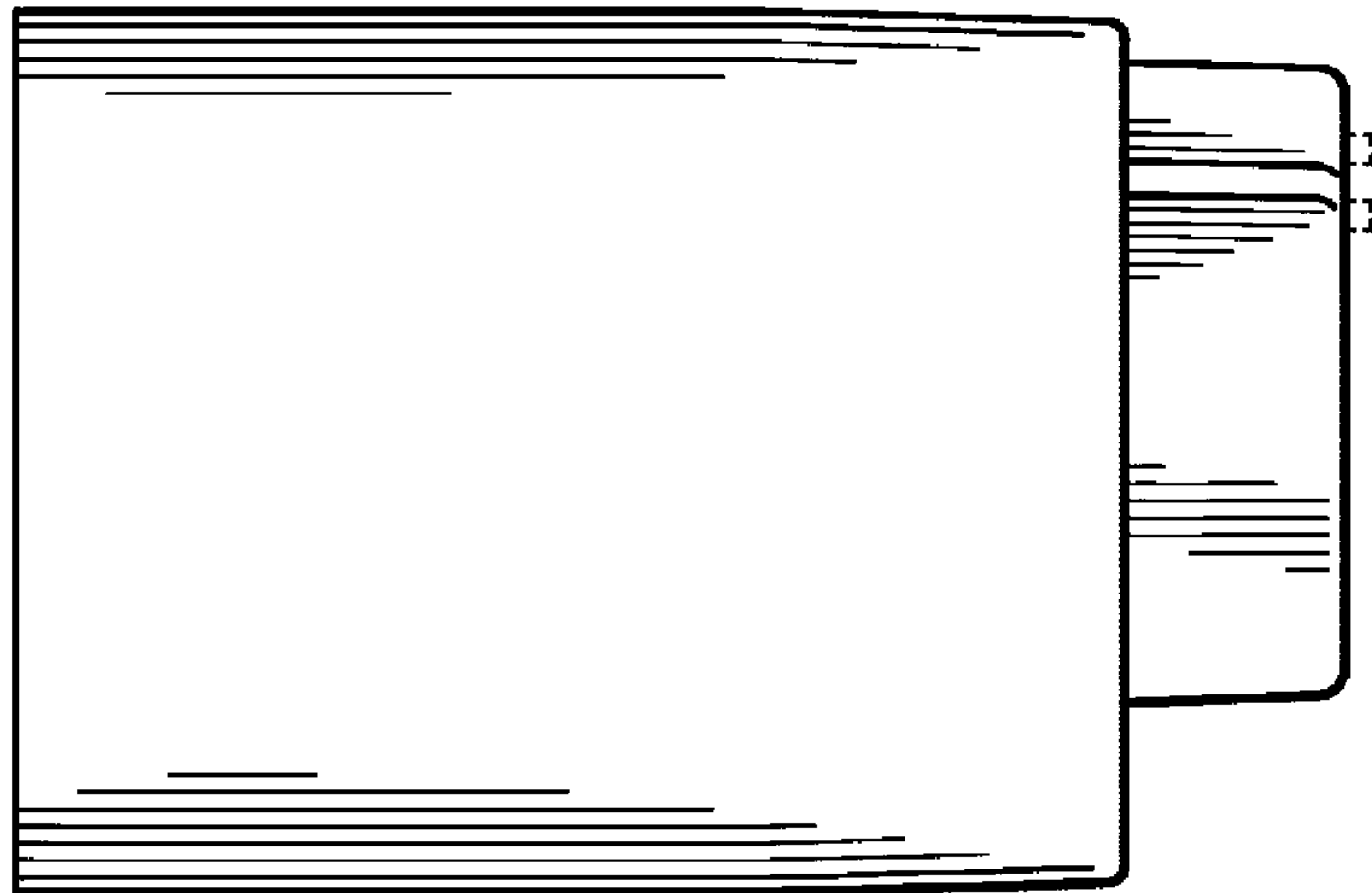


Figure 4

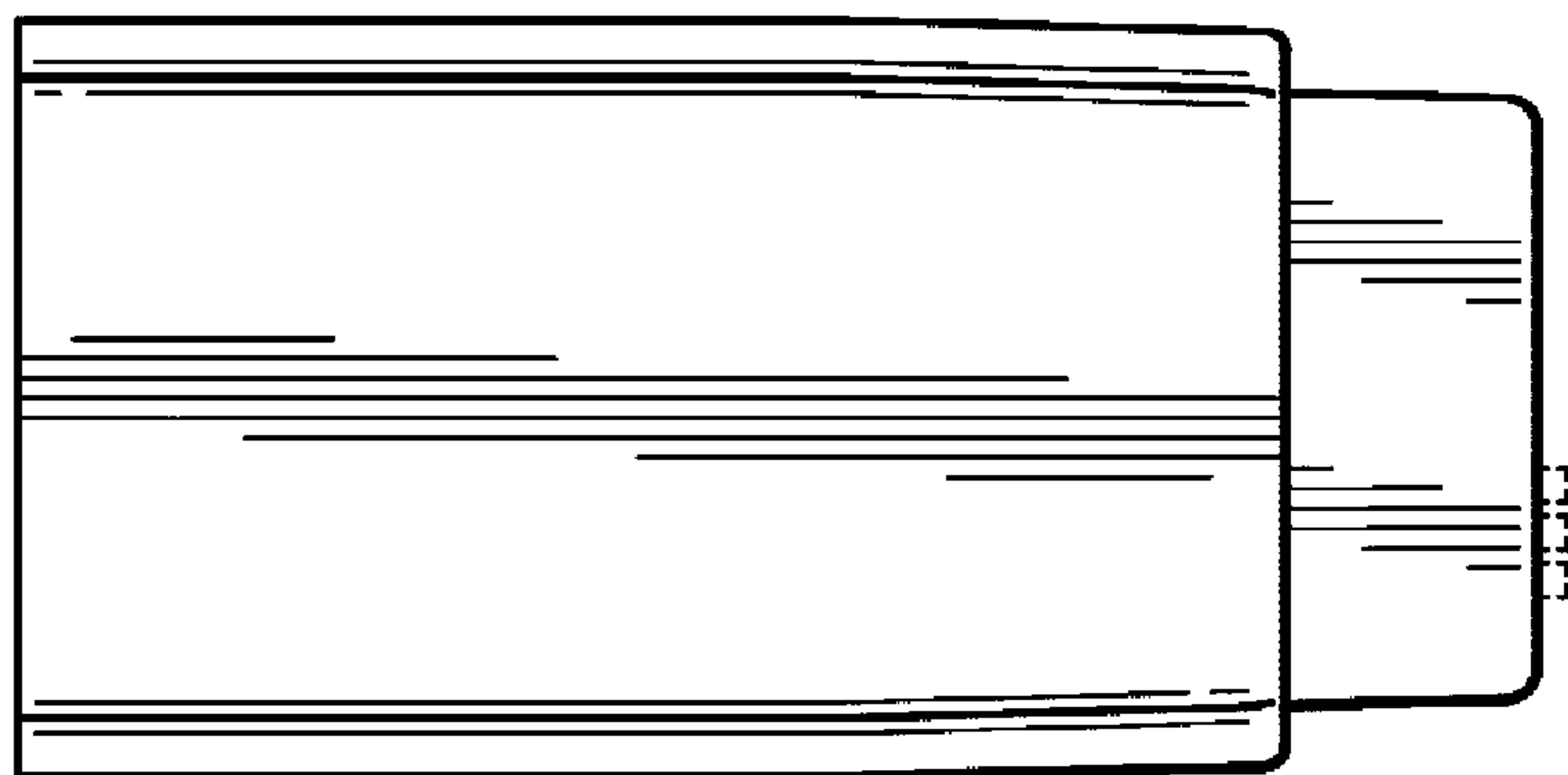


Figure 5

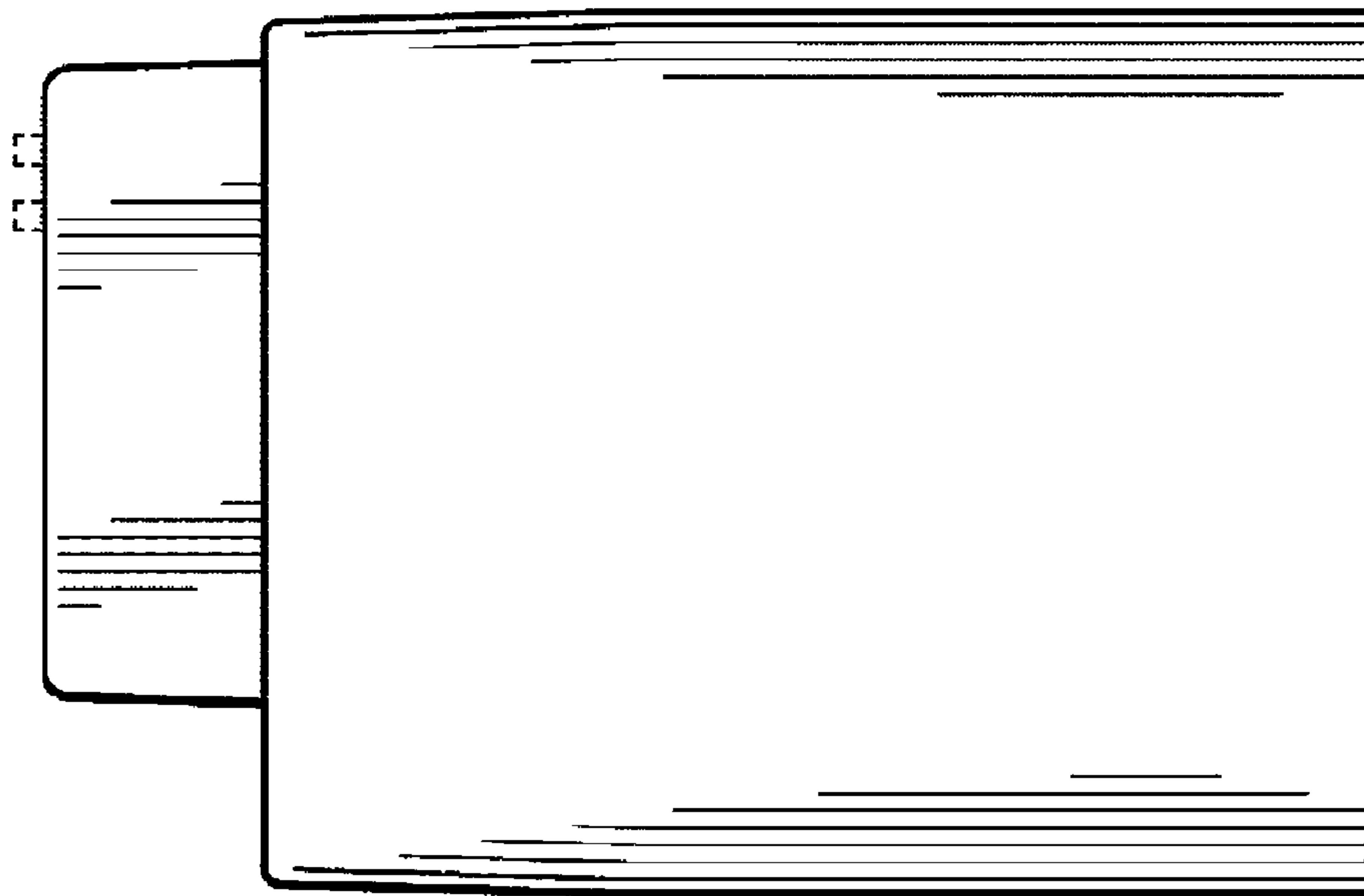


Figure 6

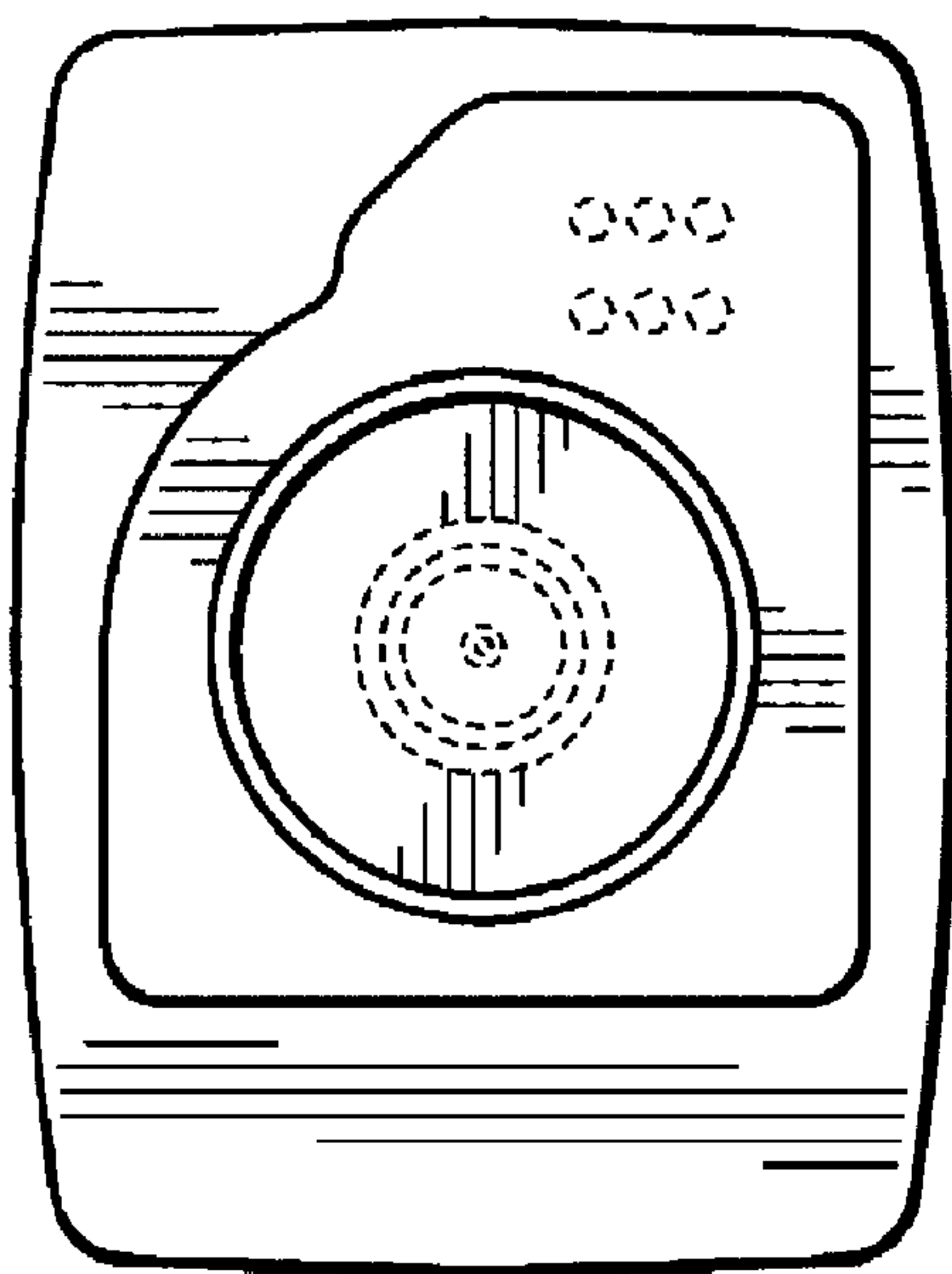


Figure 7

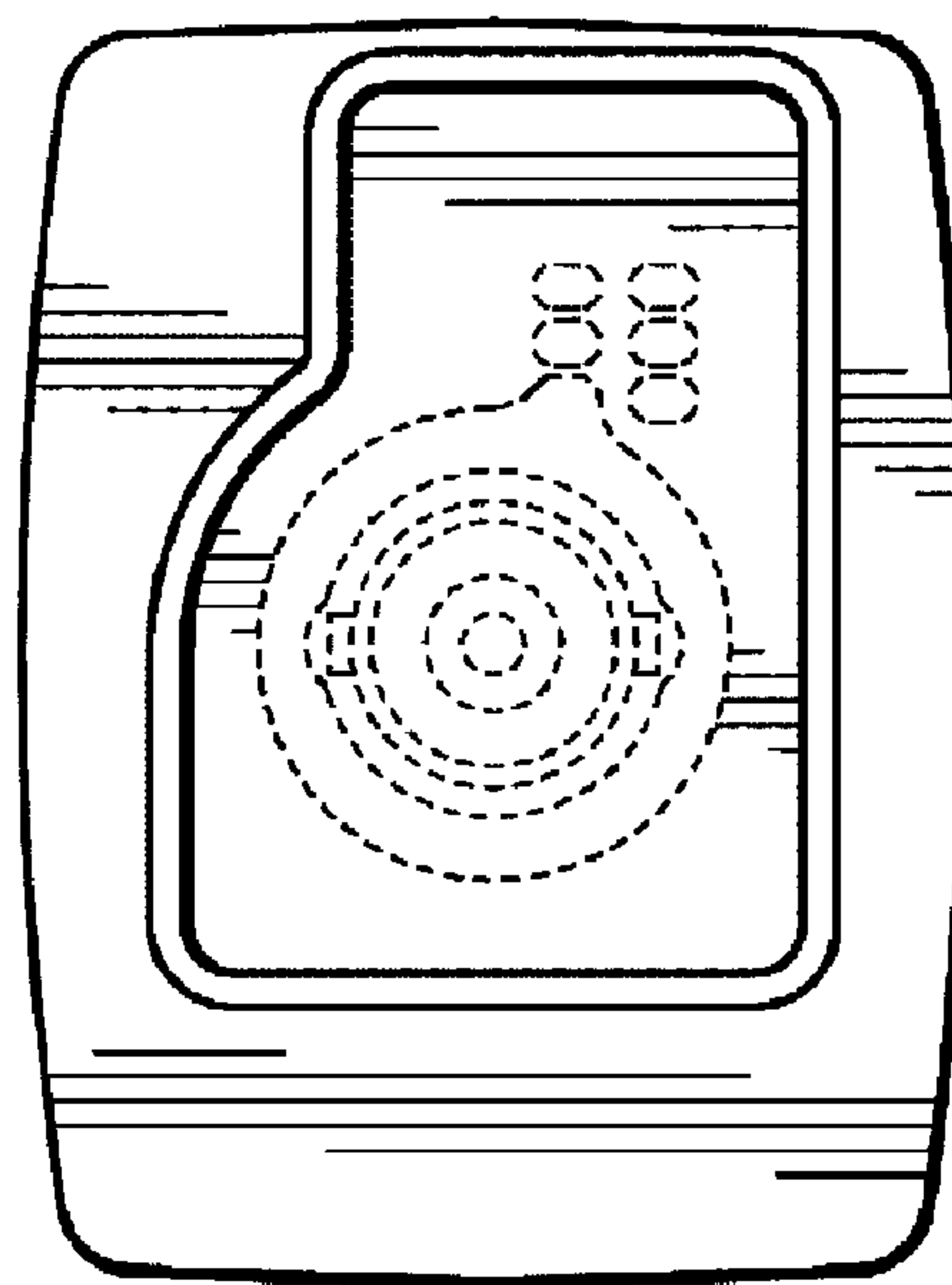


Figure 8

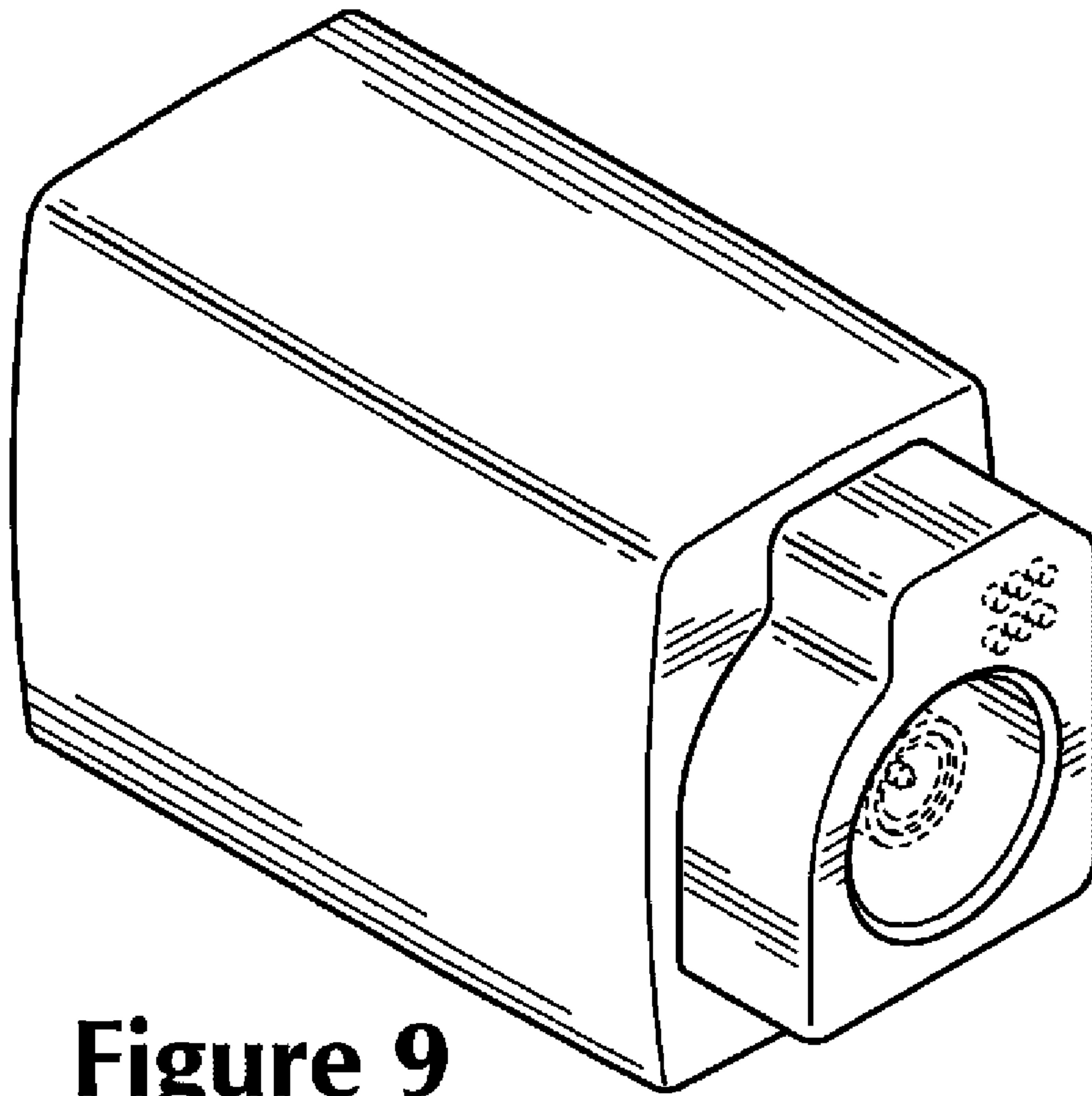


Figure 9

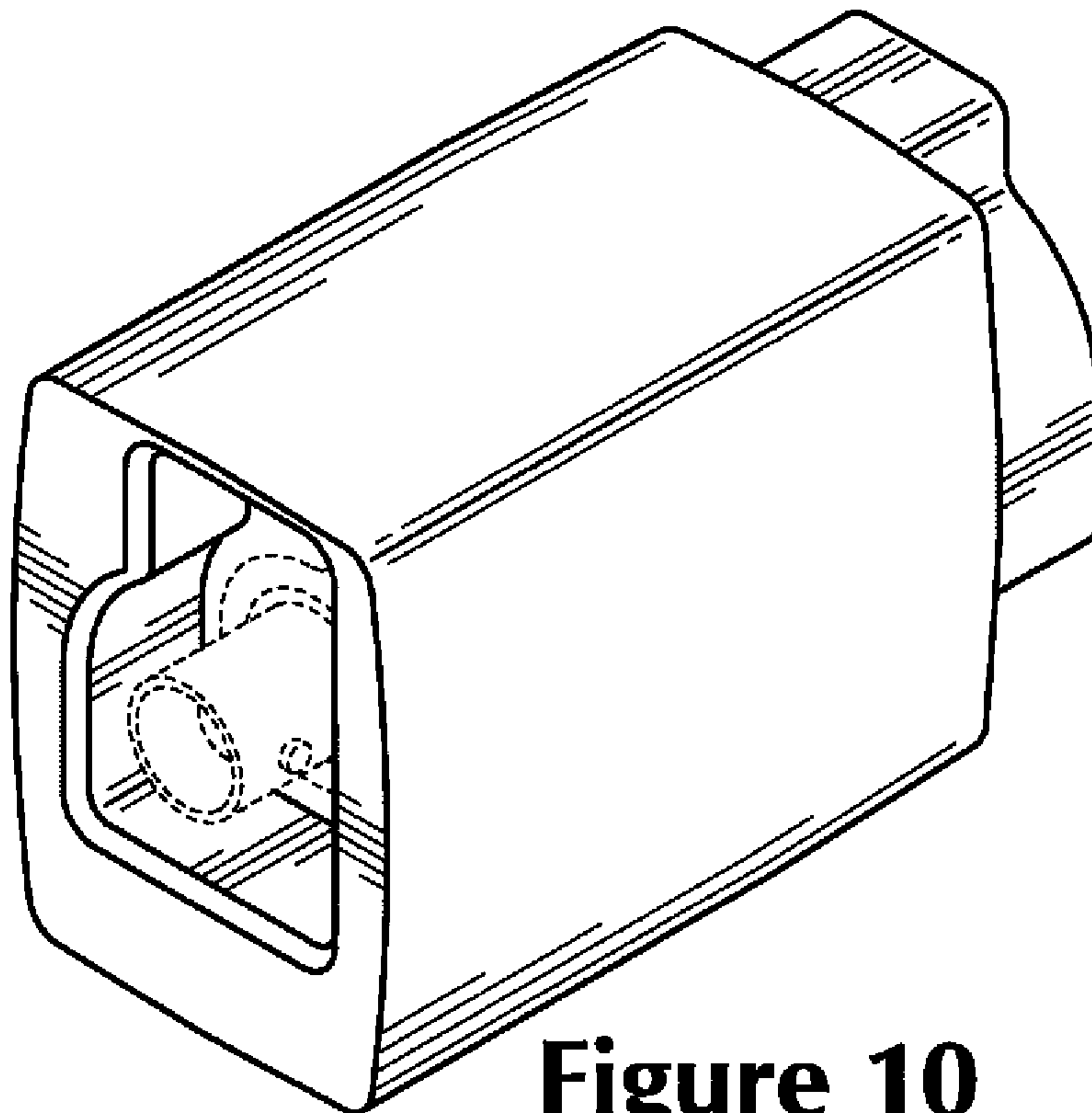


Figure 10

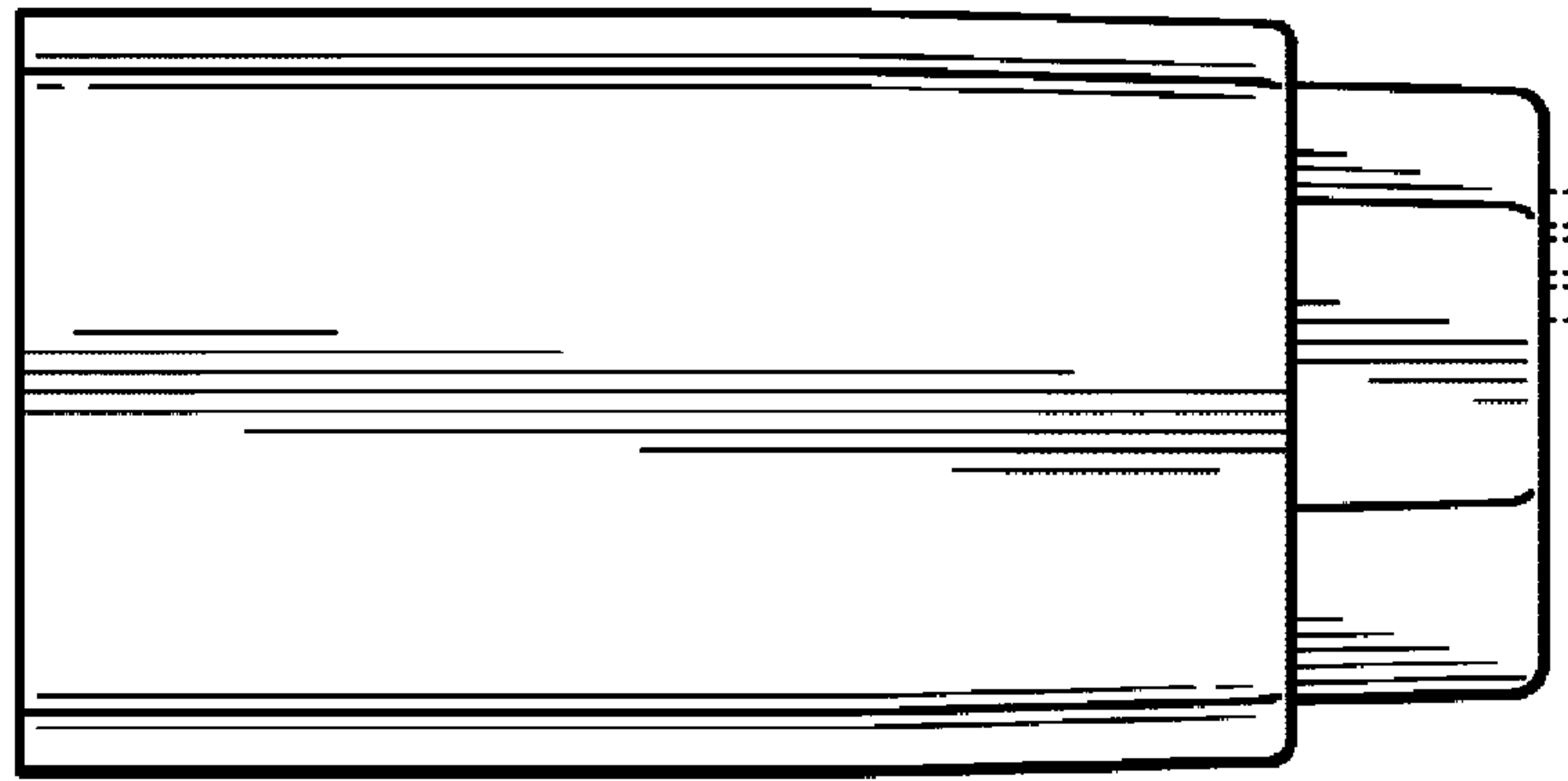


Figure 11

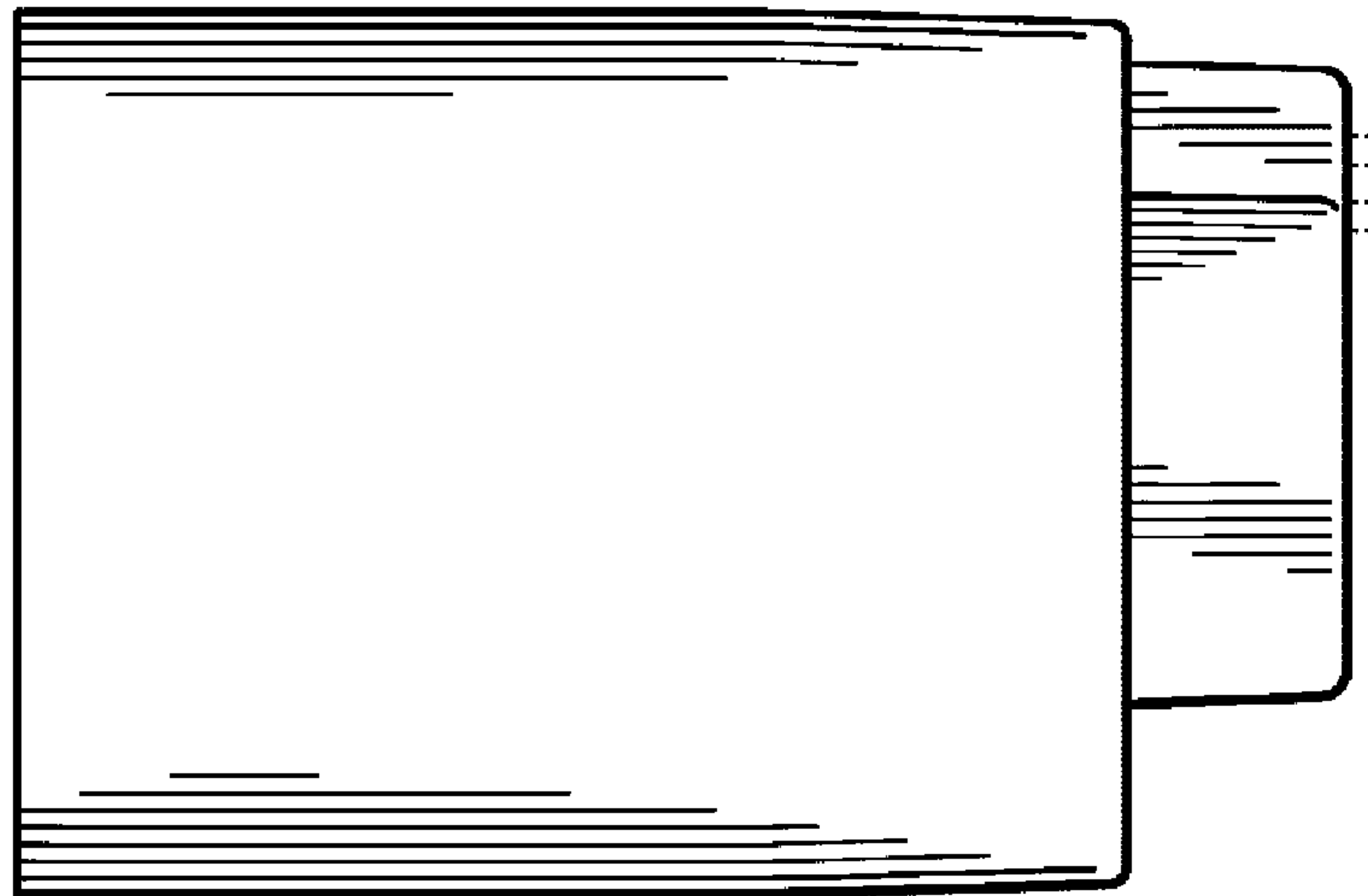


Figure 12

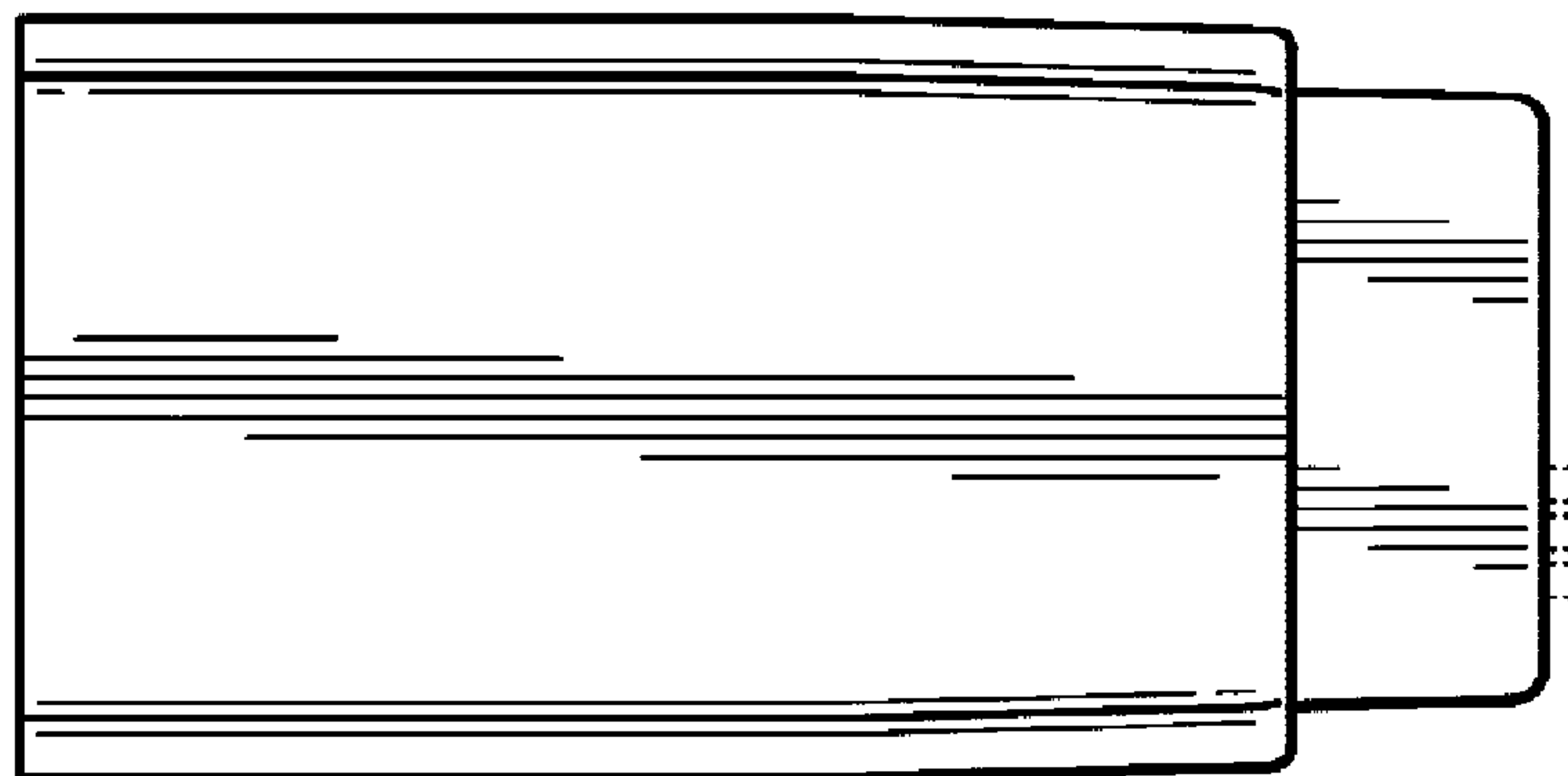


Figure 13

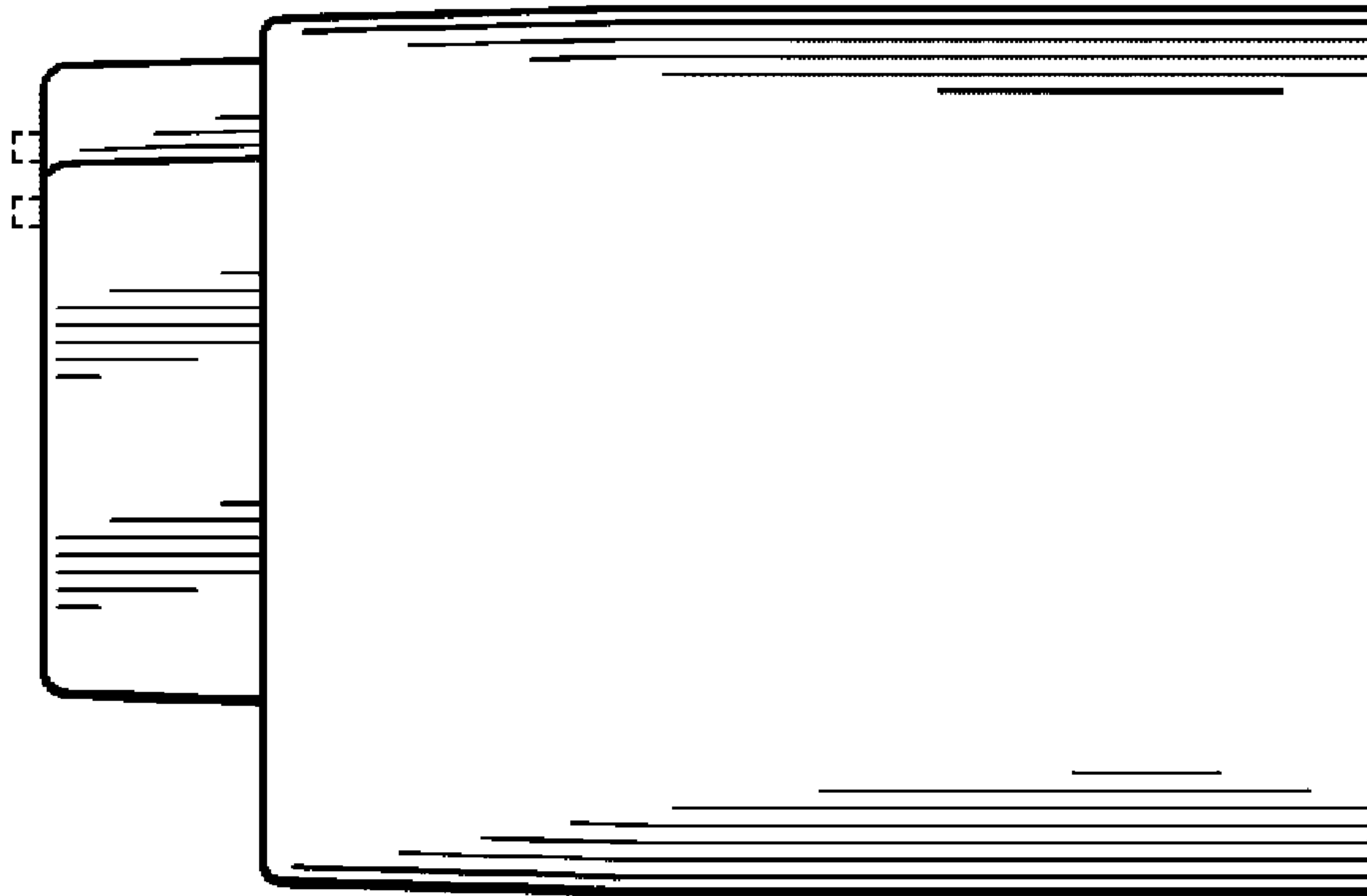


Figure 14

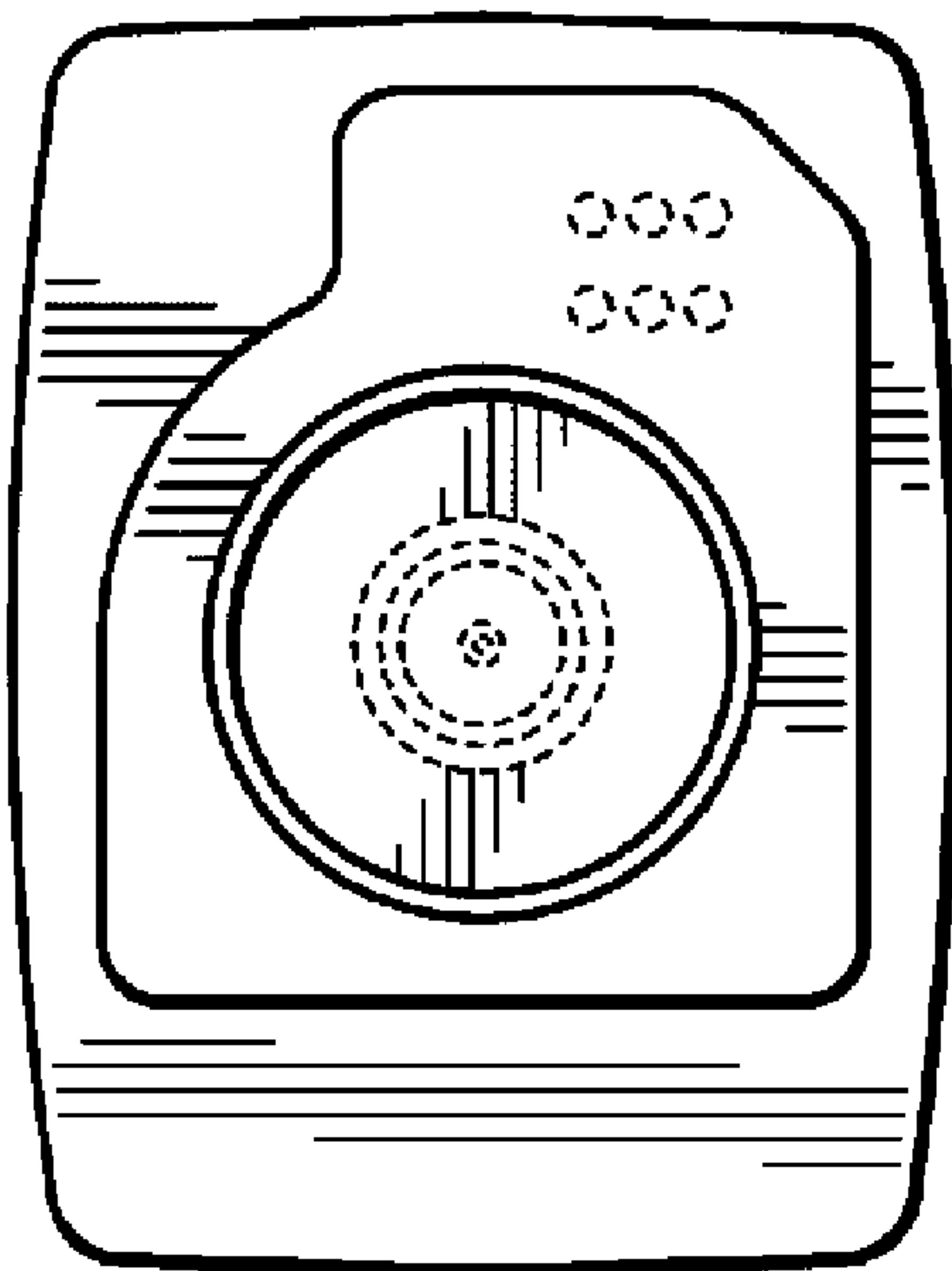


Figure 15

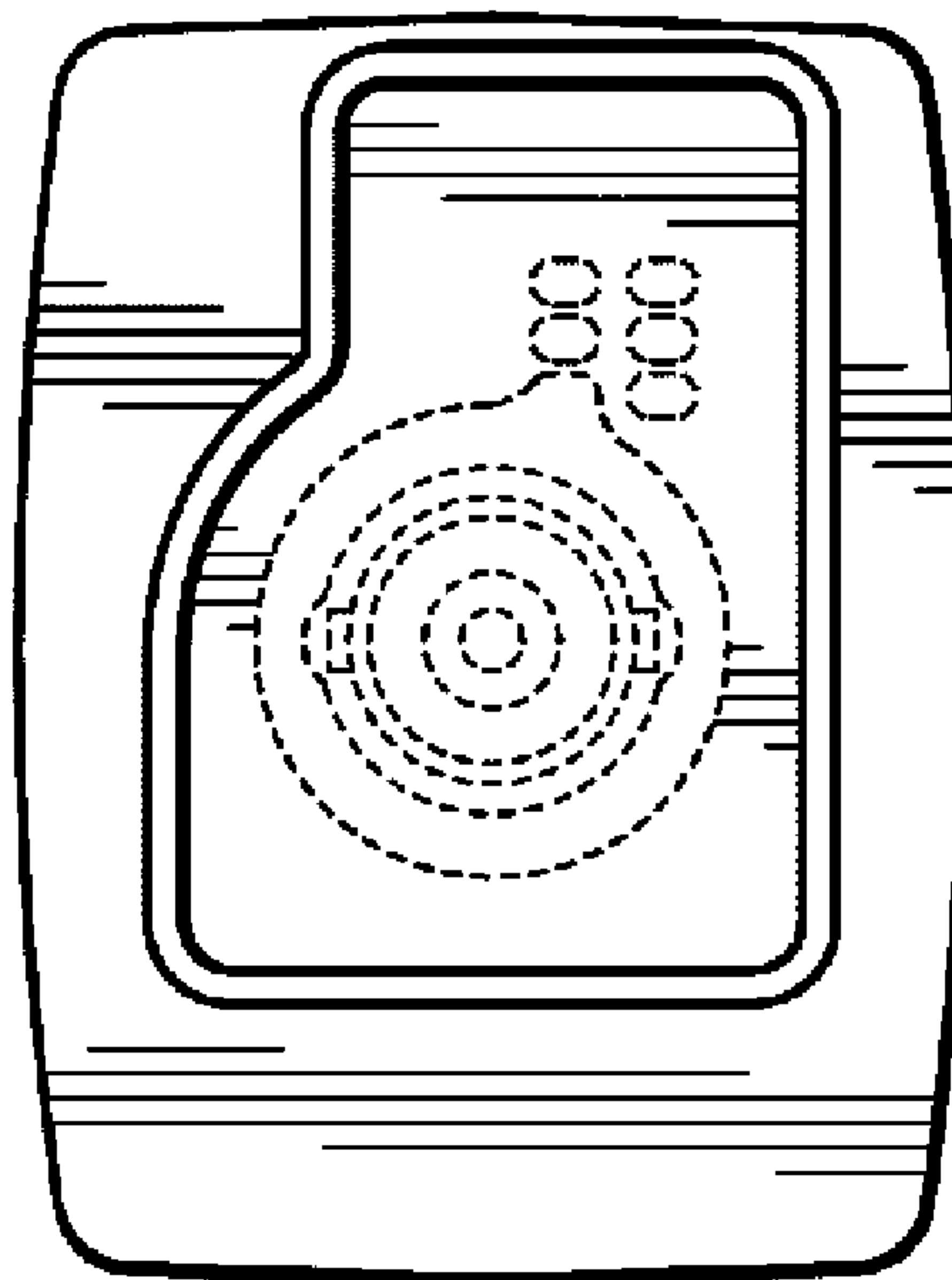


Figure 16

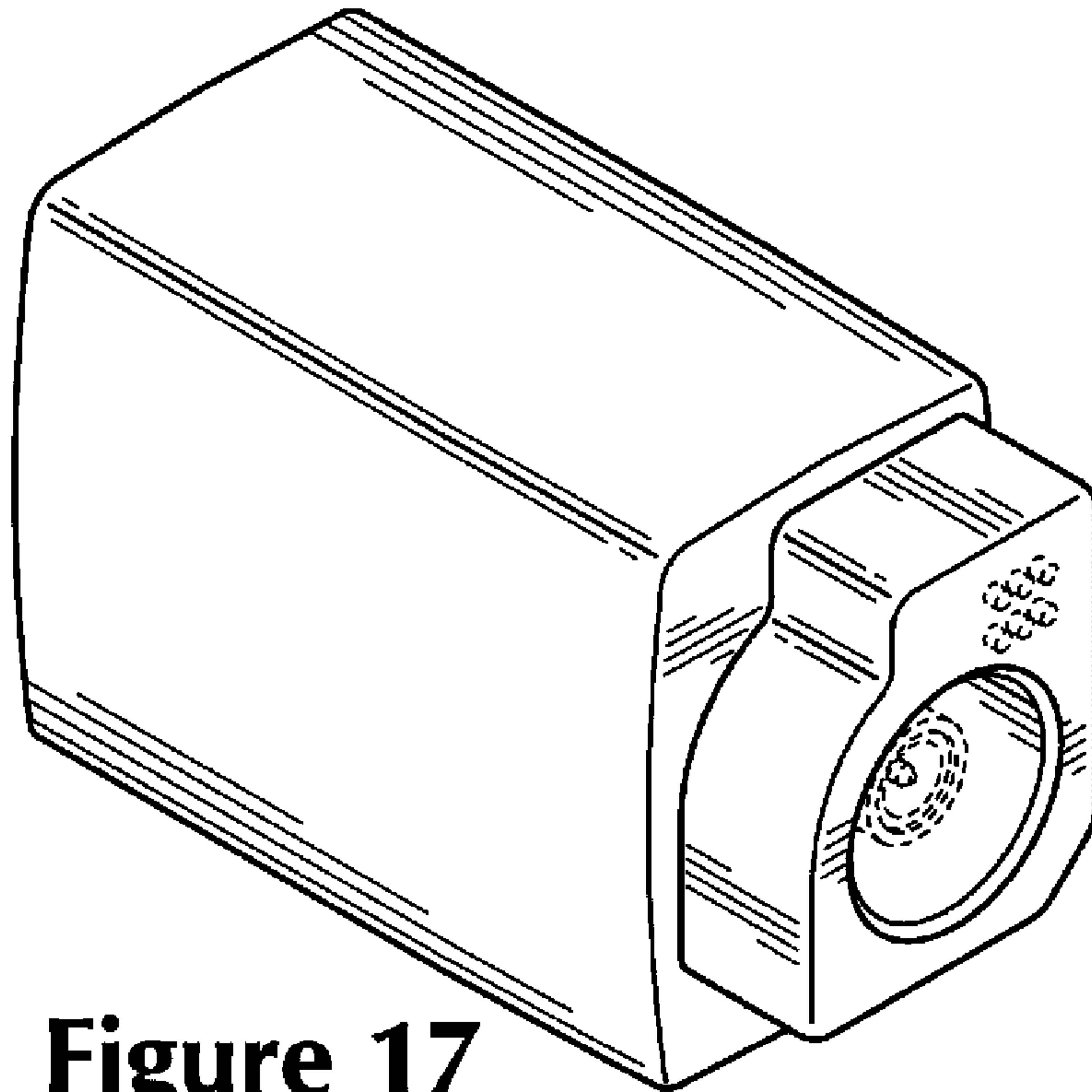


Figure 17

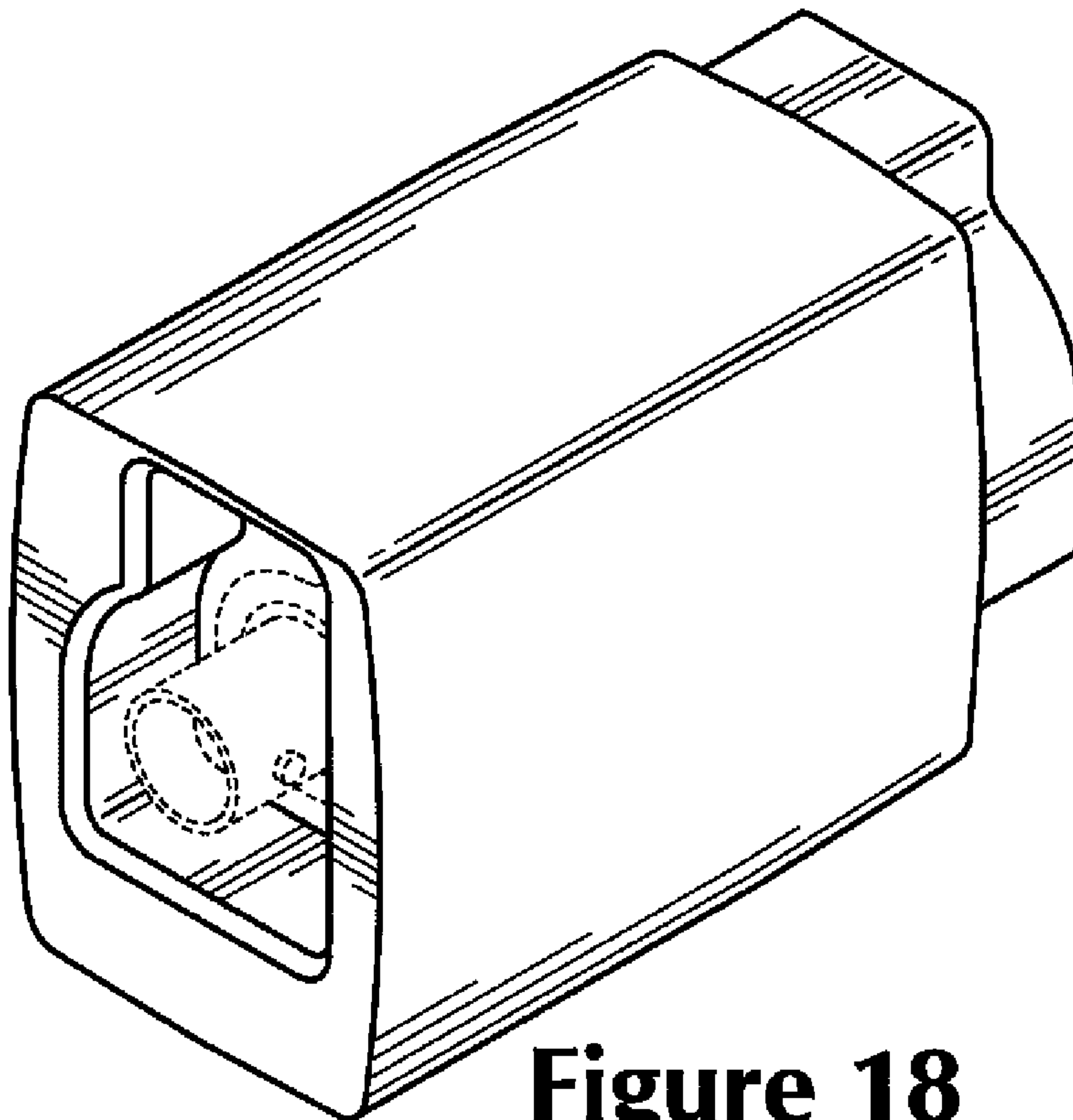


Figure 18

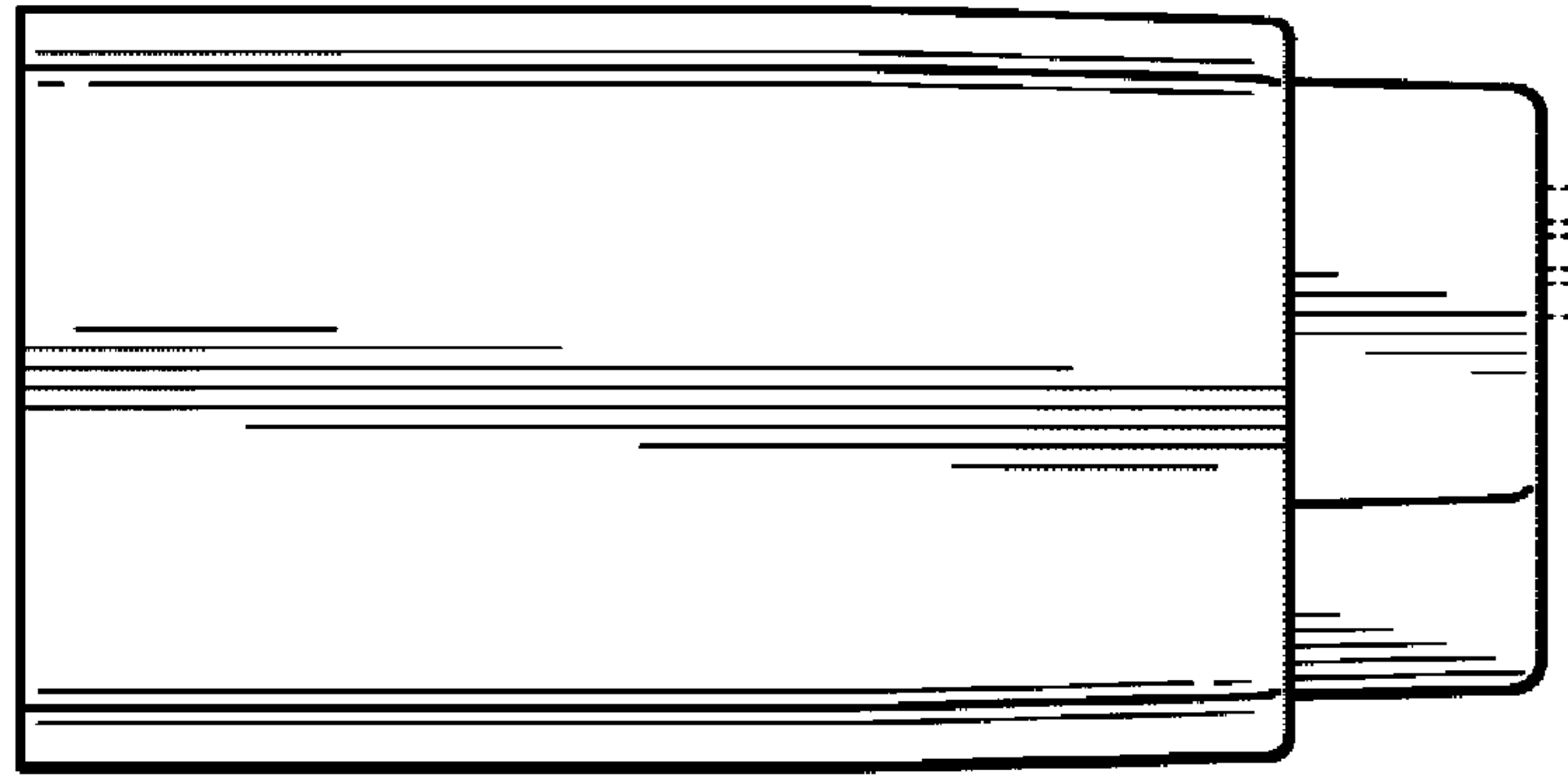


Figure 19

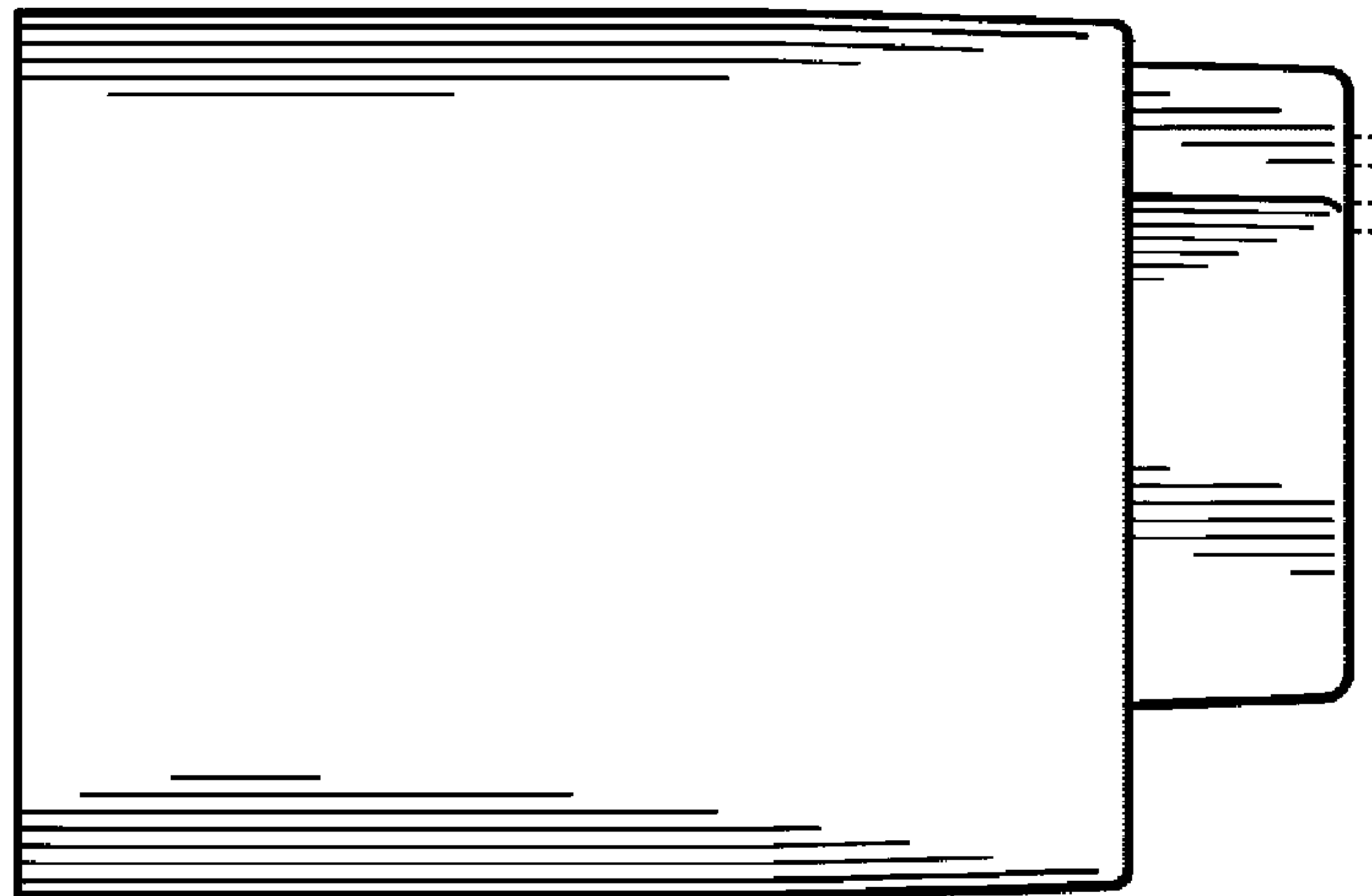


Figure 20

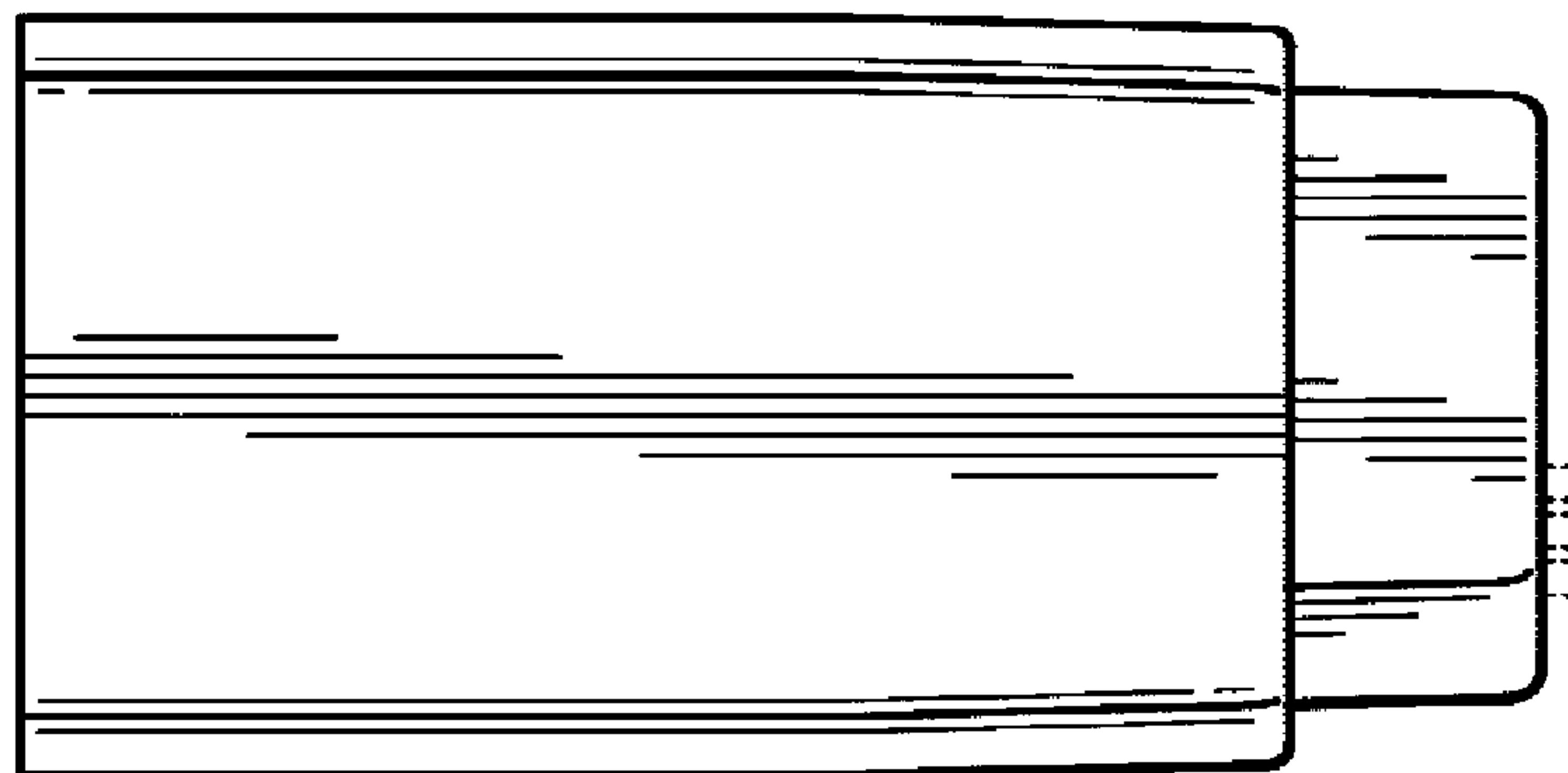


Figure 21

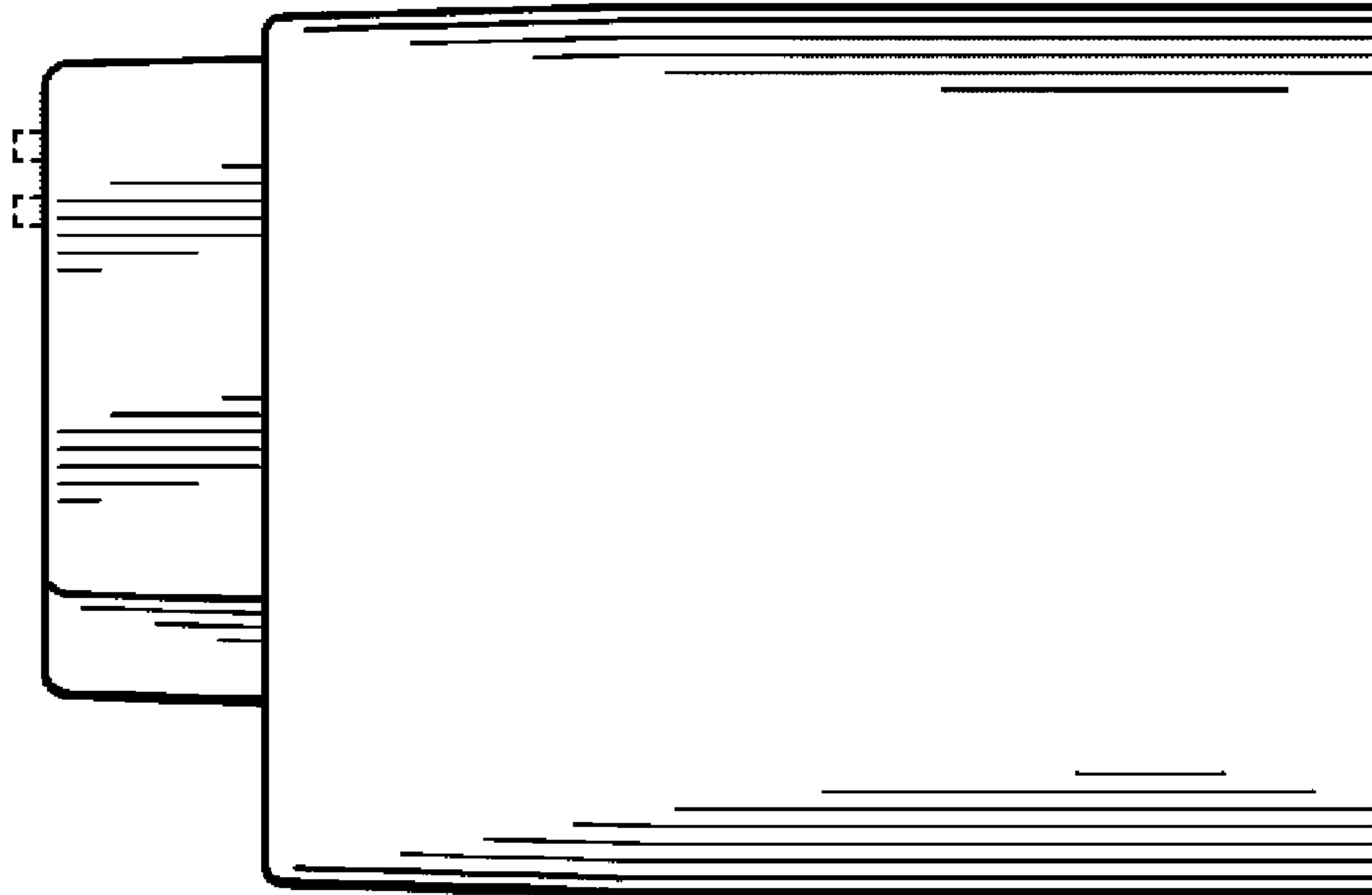


Figure 22

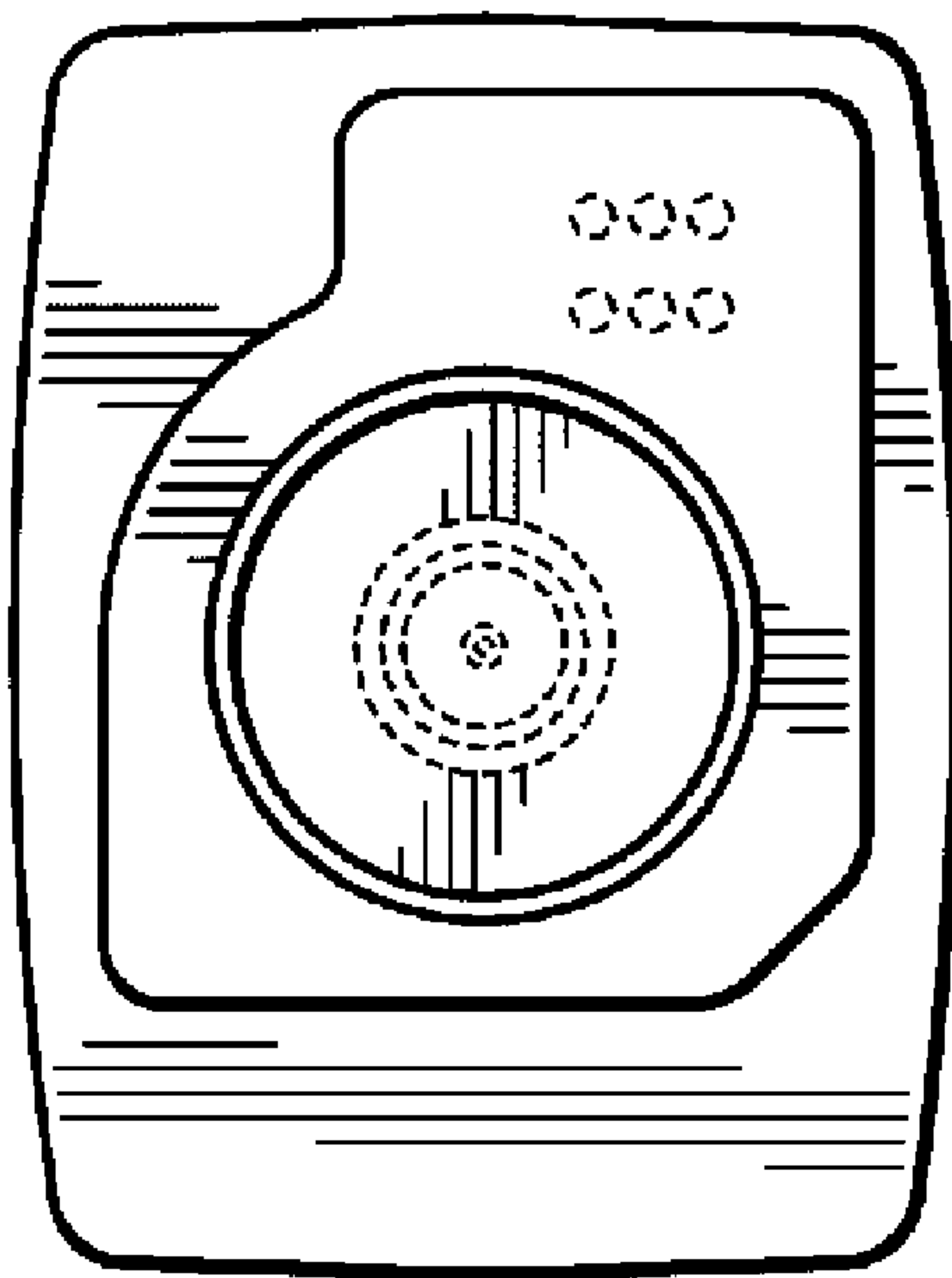


Figure 23

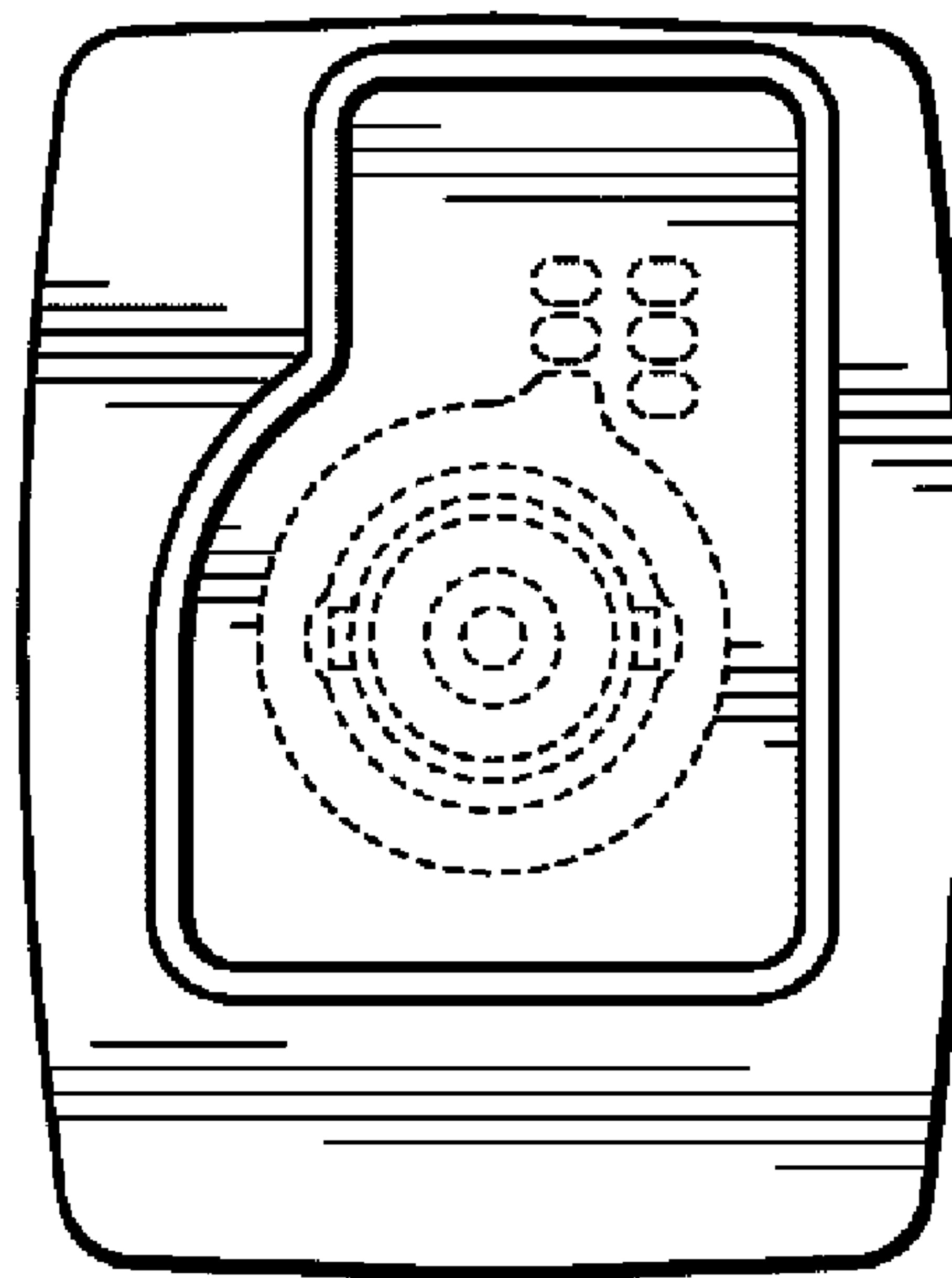


Figure 24

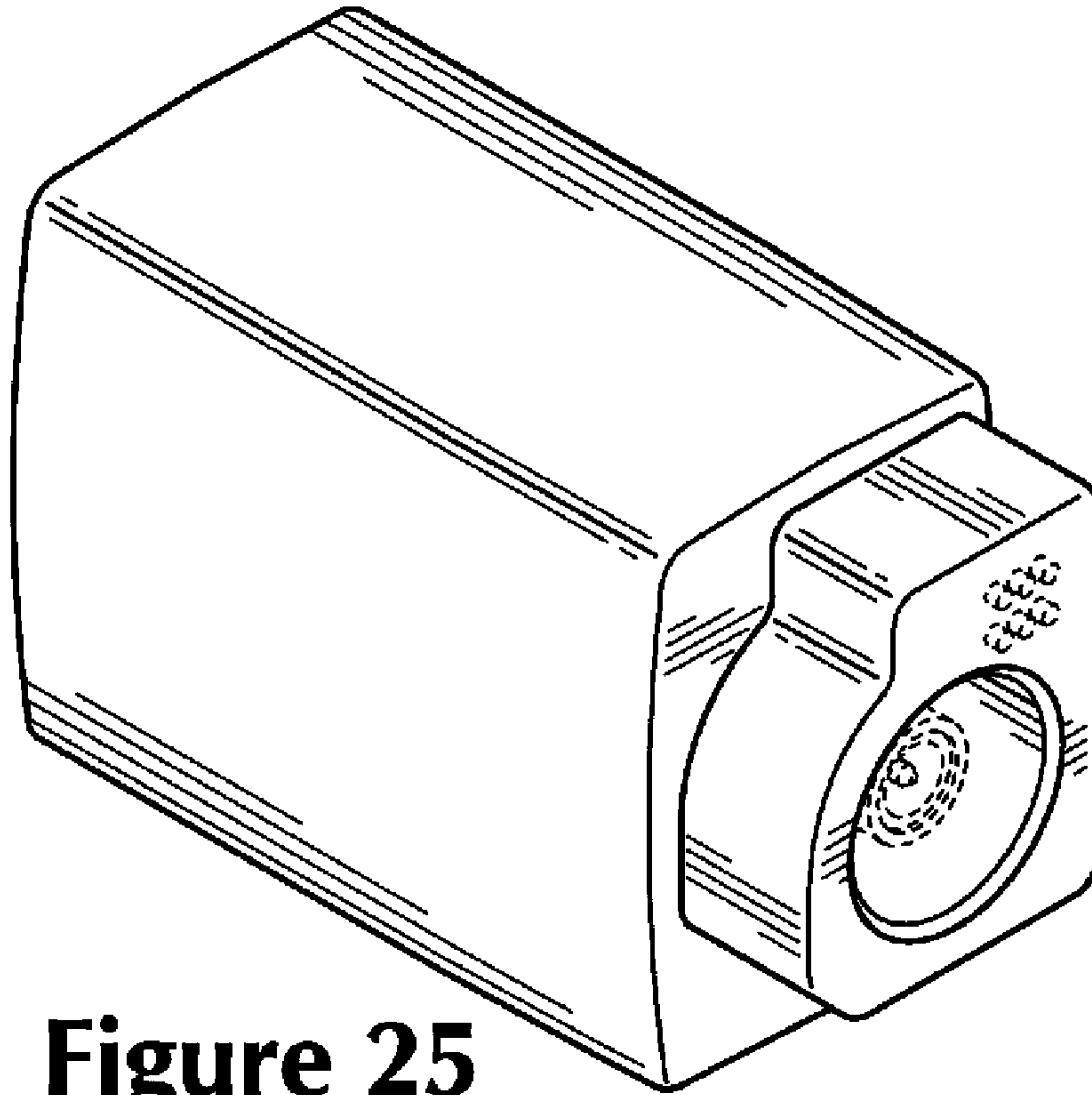


Figure 25

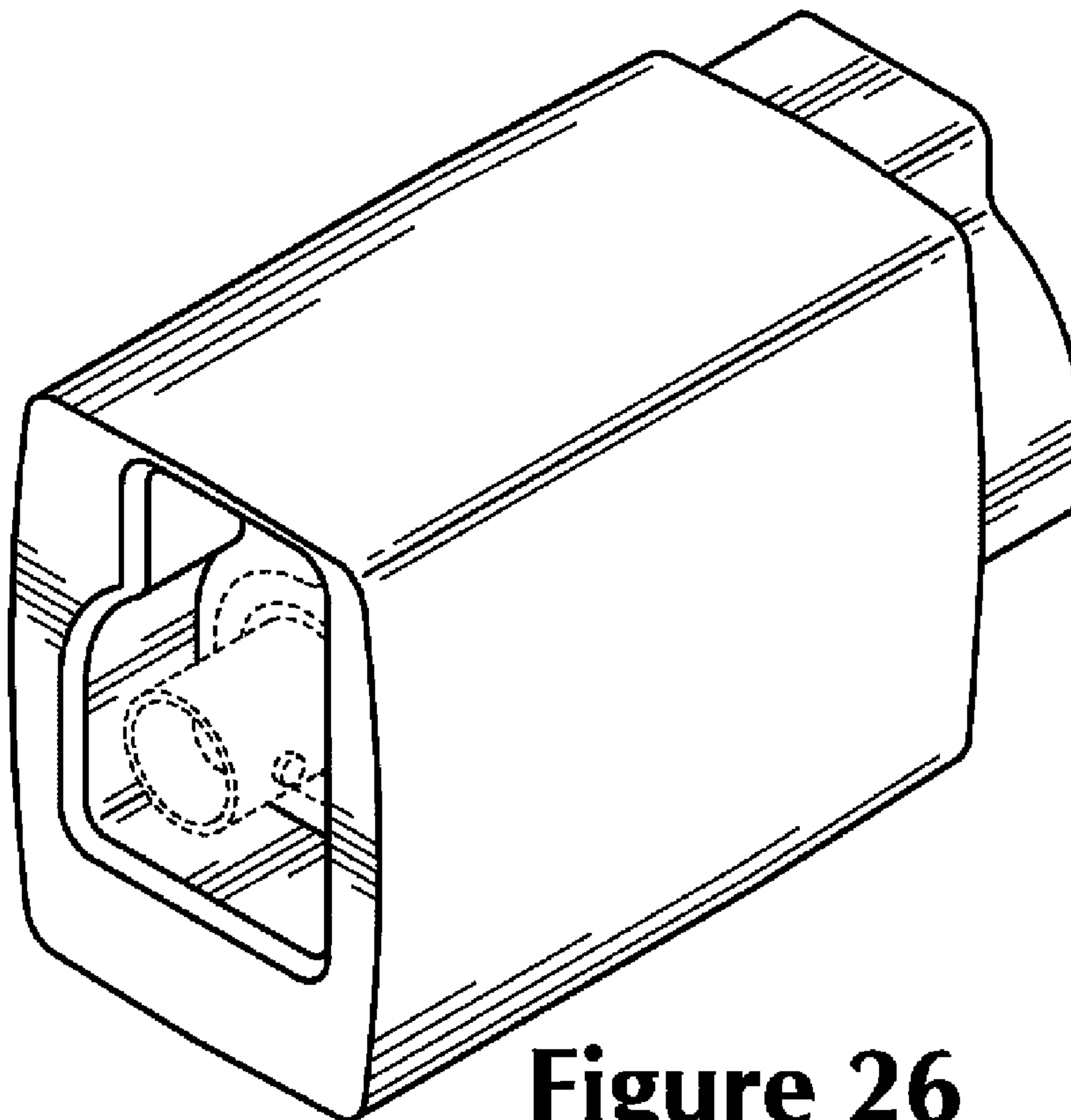


Figure 26

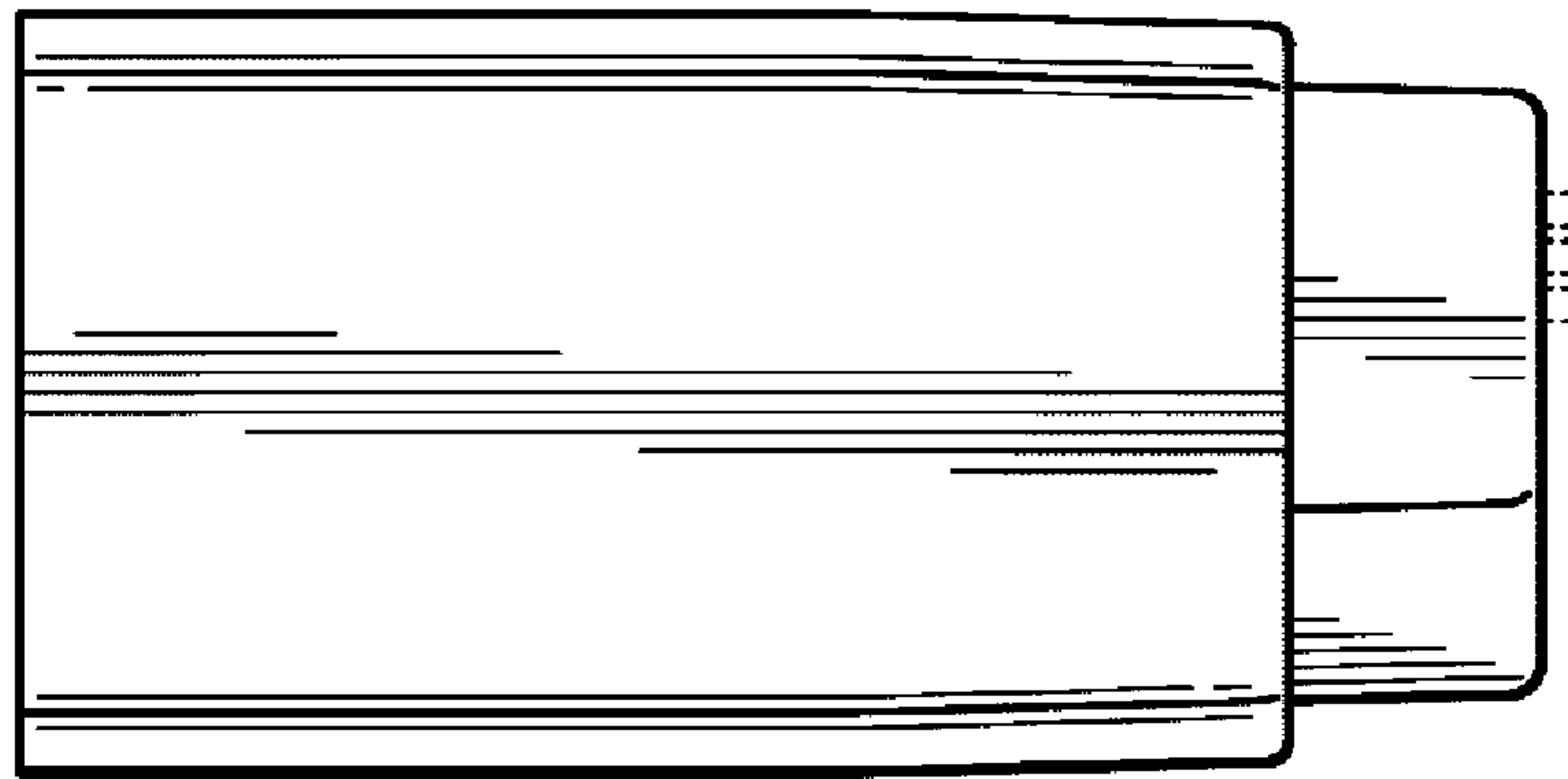


Figure 27

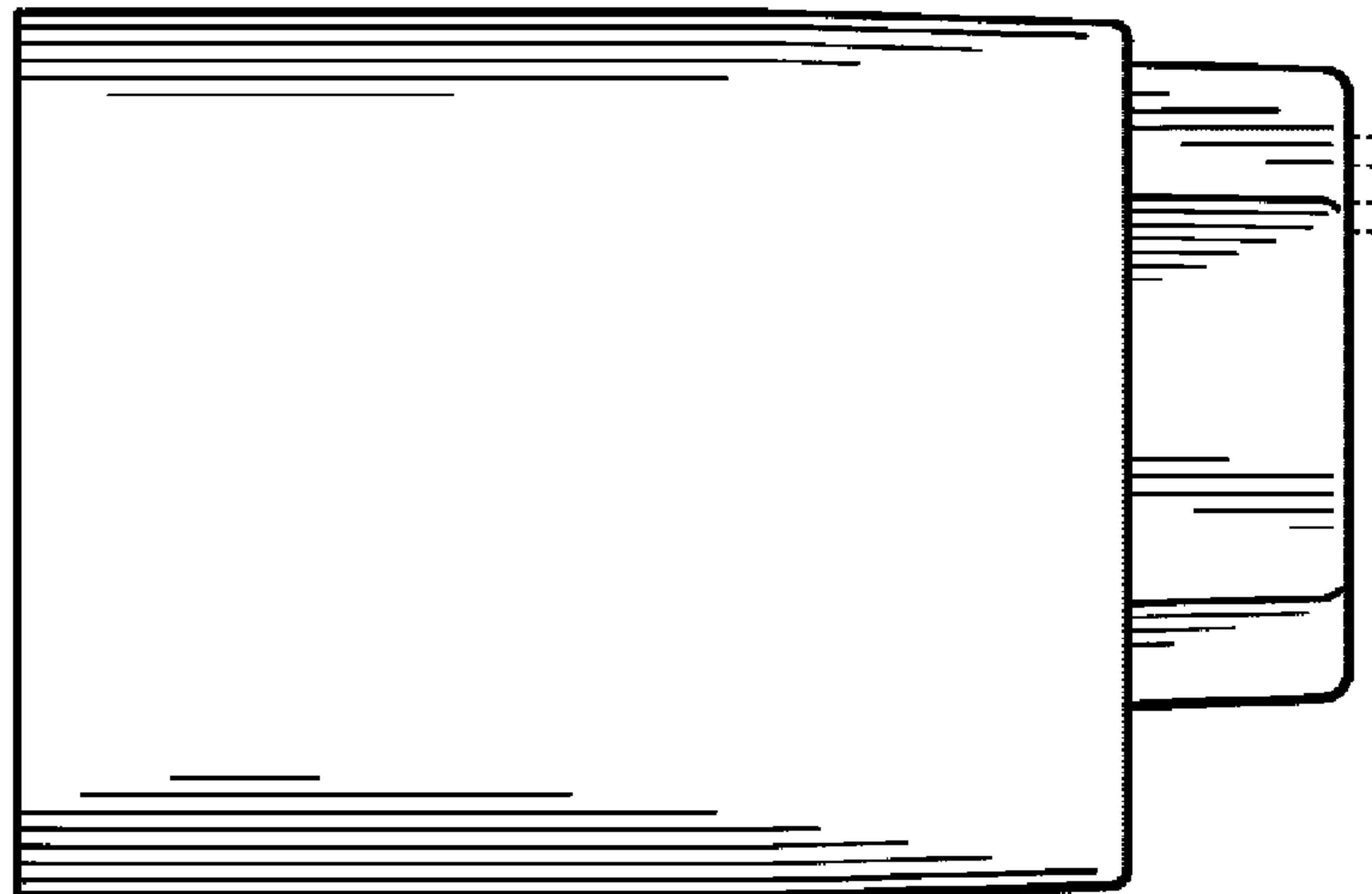


Figure 28

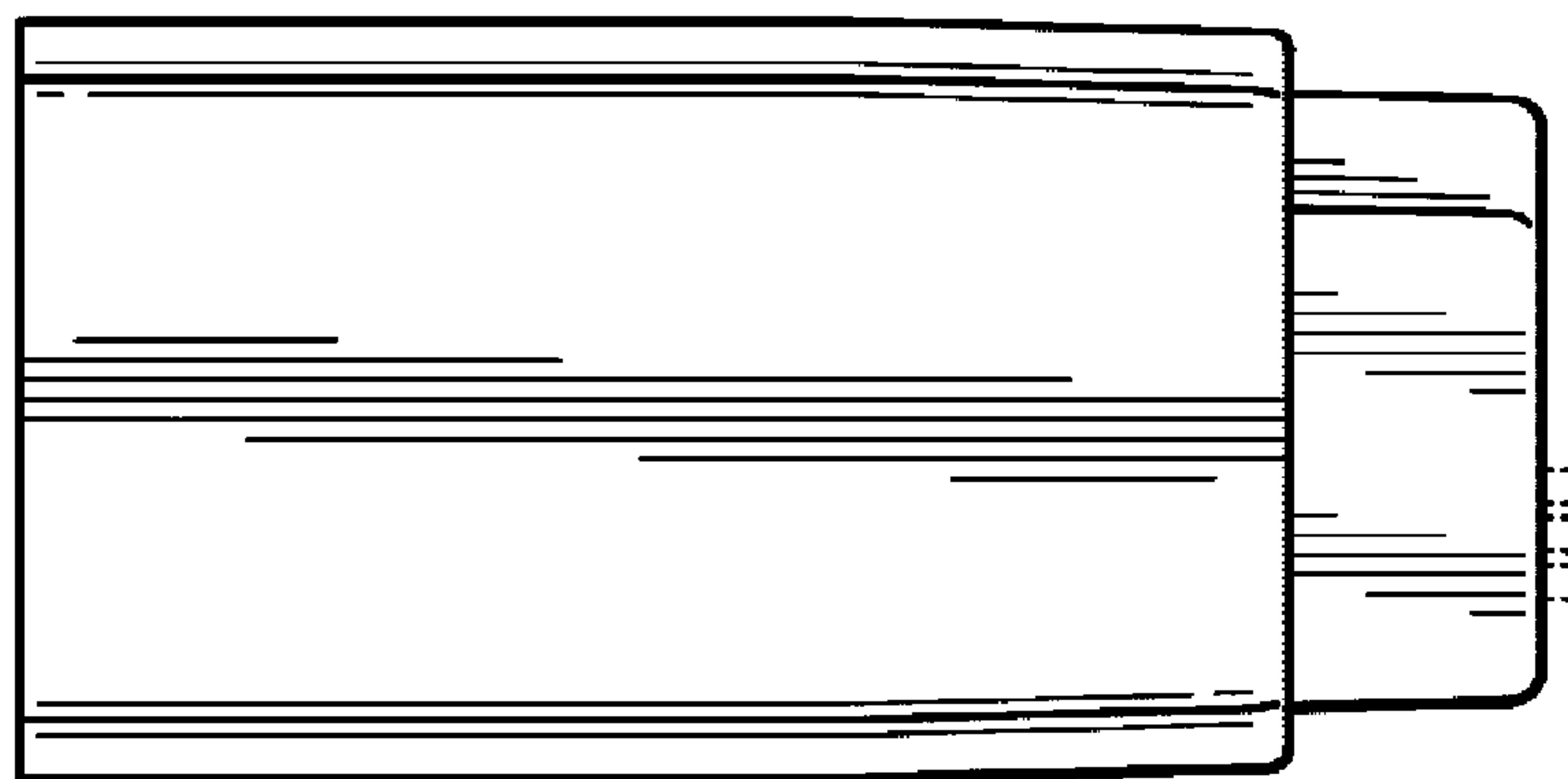


Figure 29

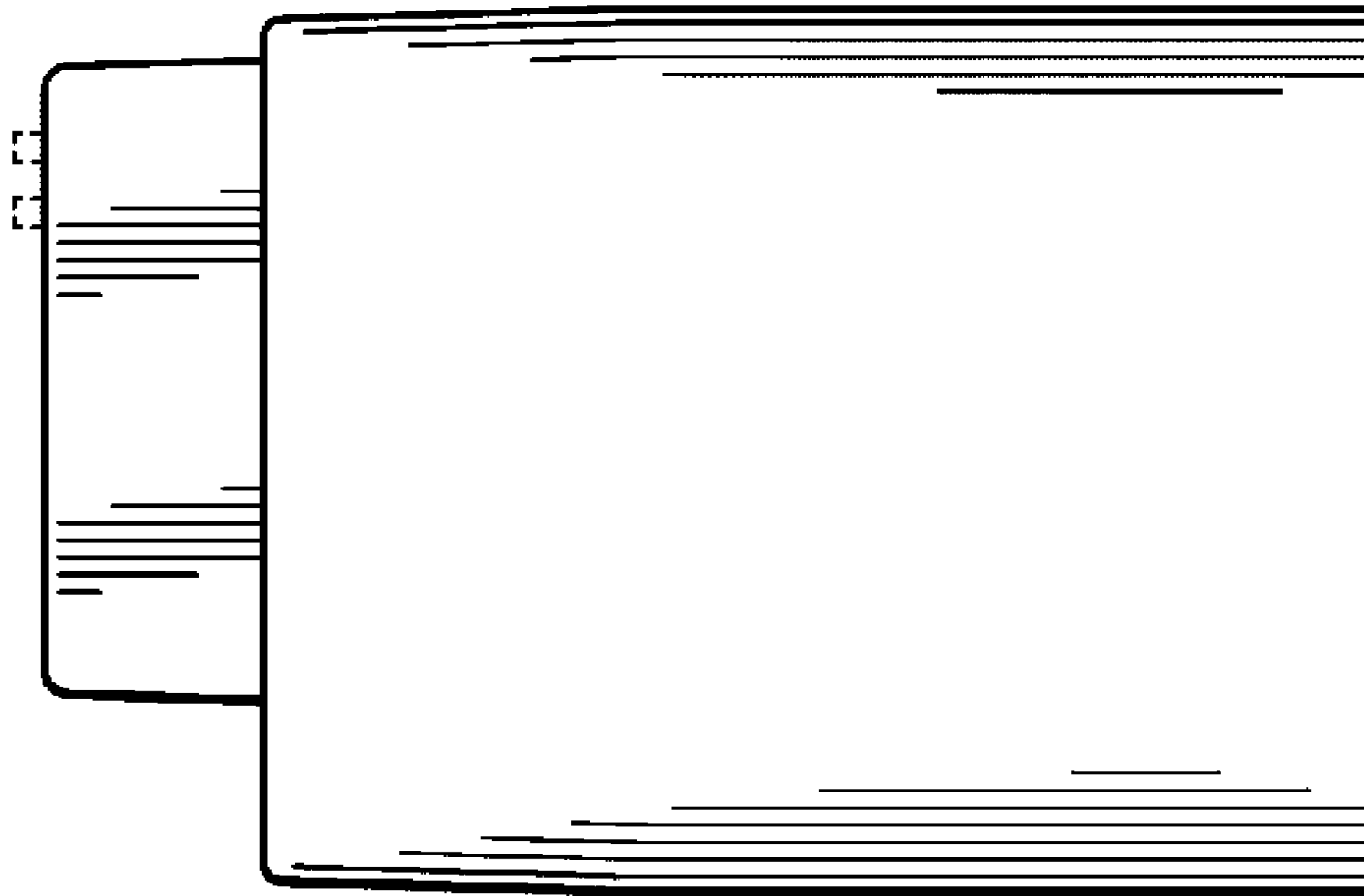


Figure 30

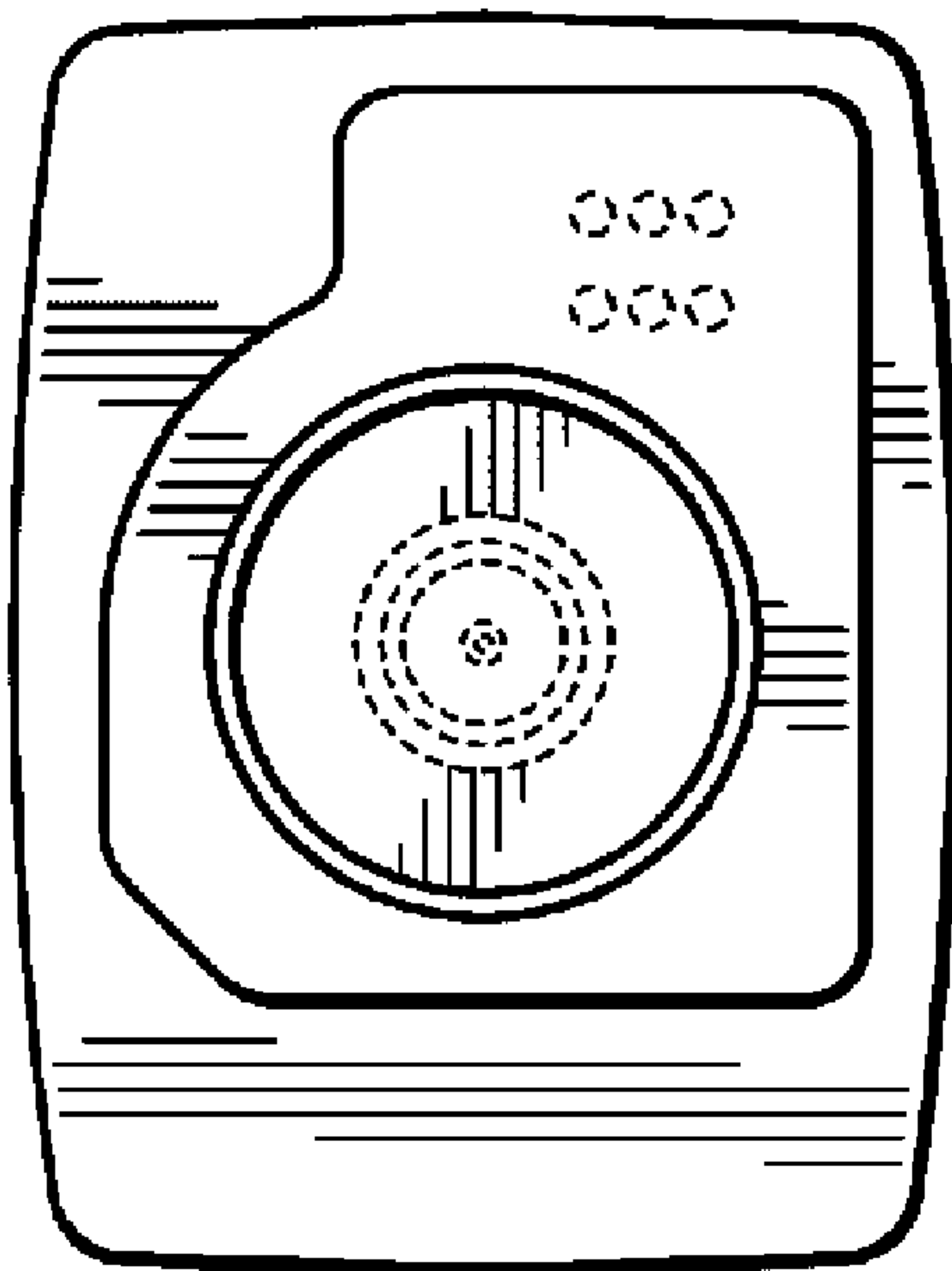


Figure 31

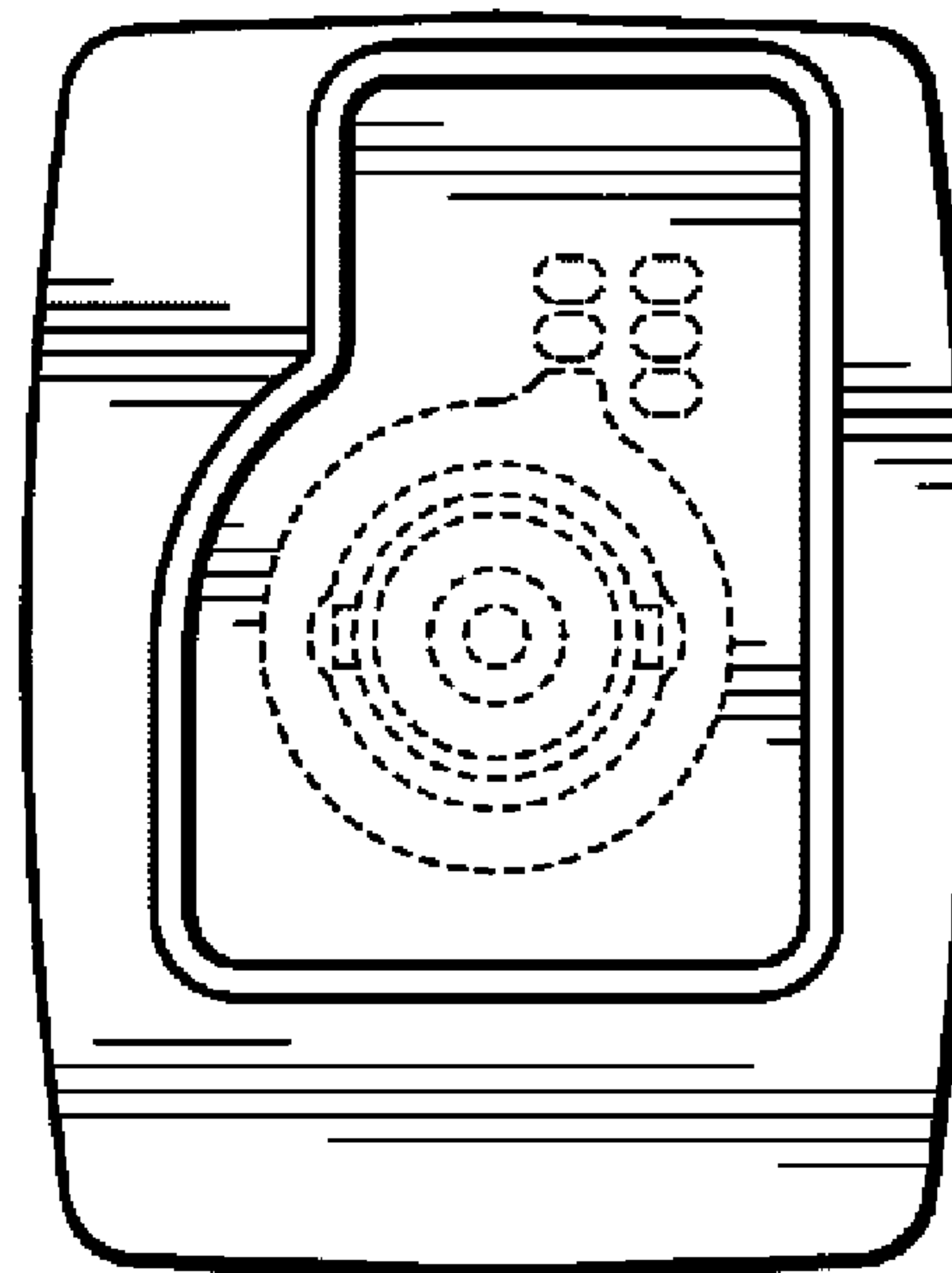


Figure 32

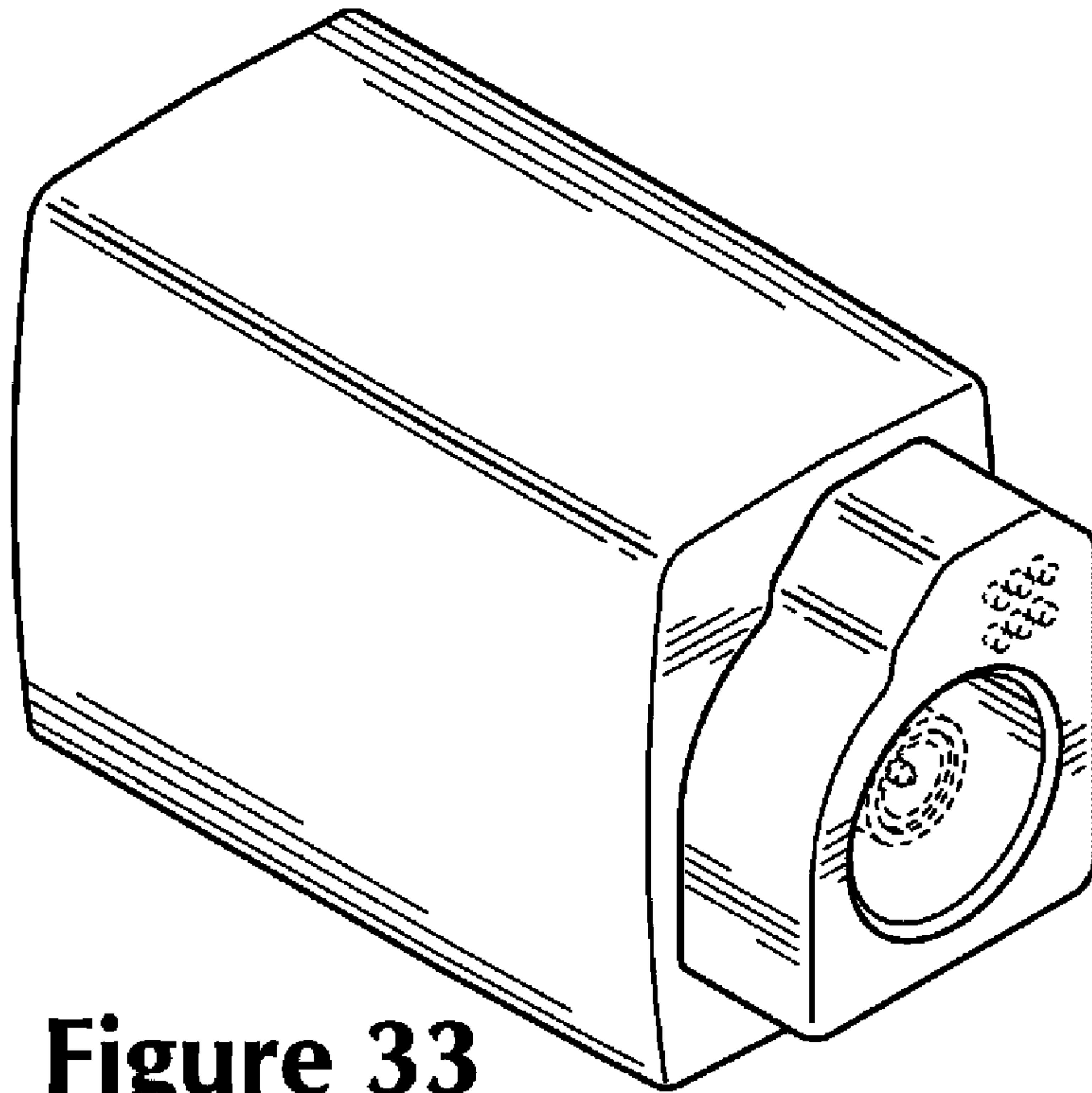


Figure 33

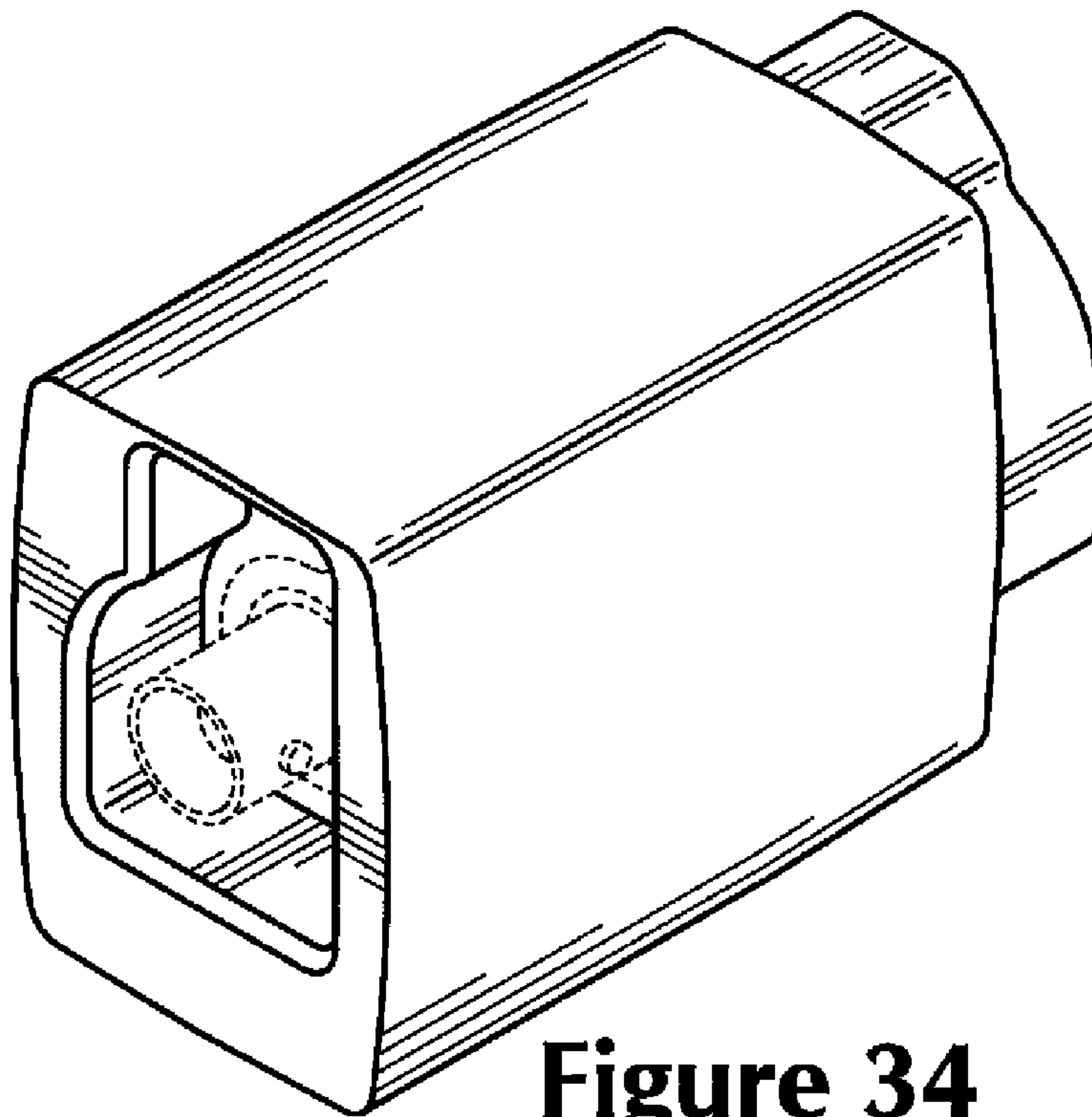


Figure 34

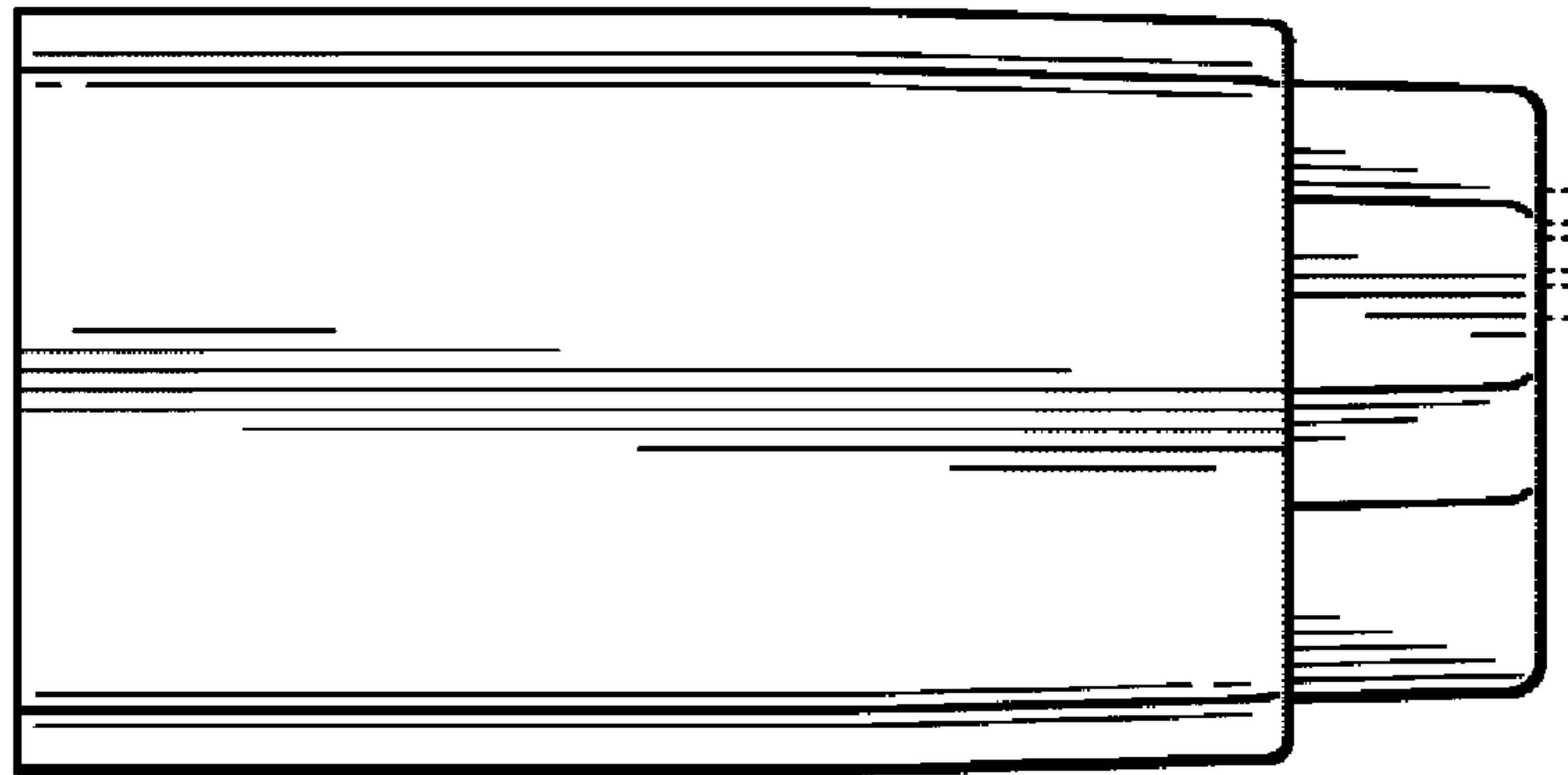


Figure 35

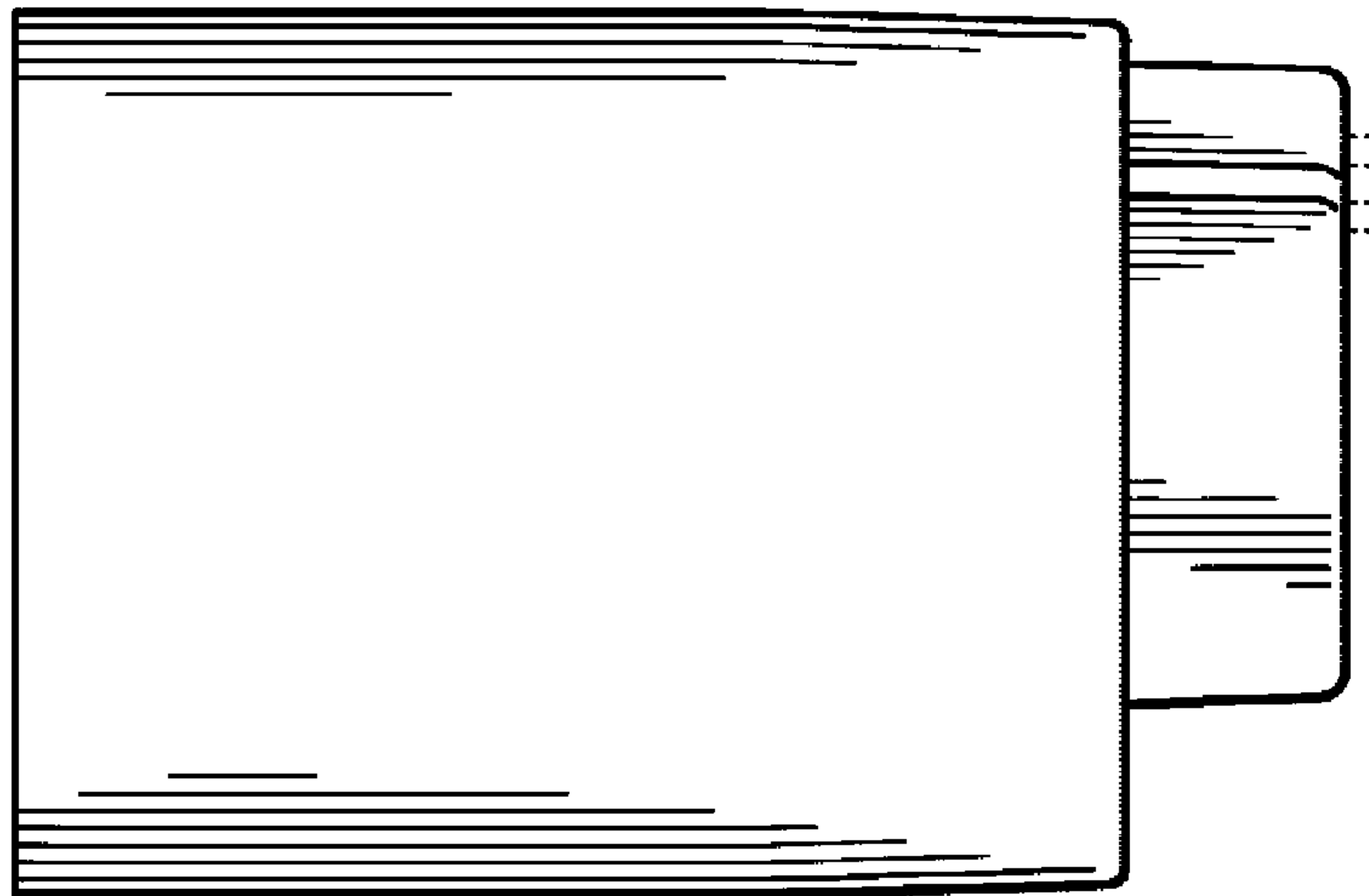


Figure 36

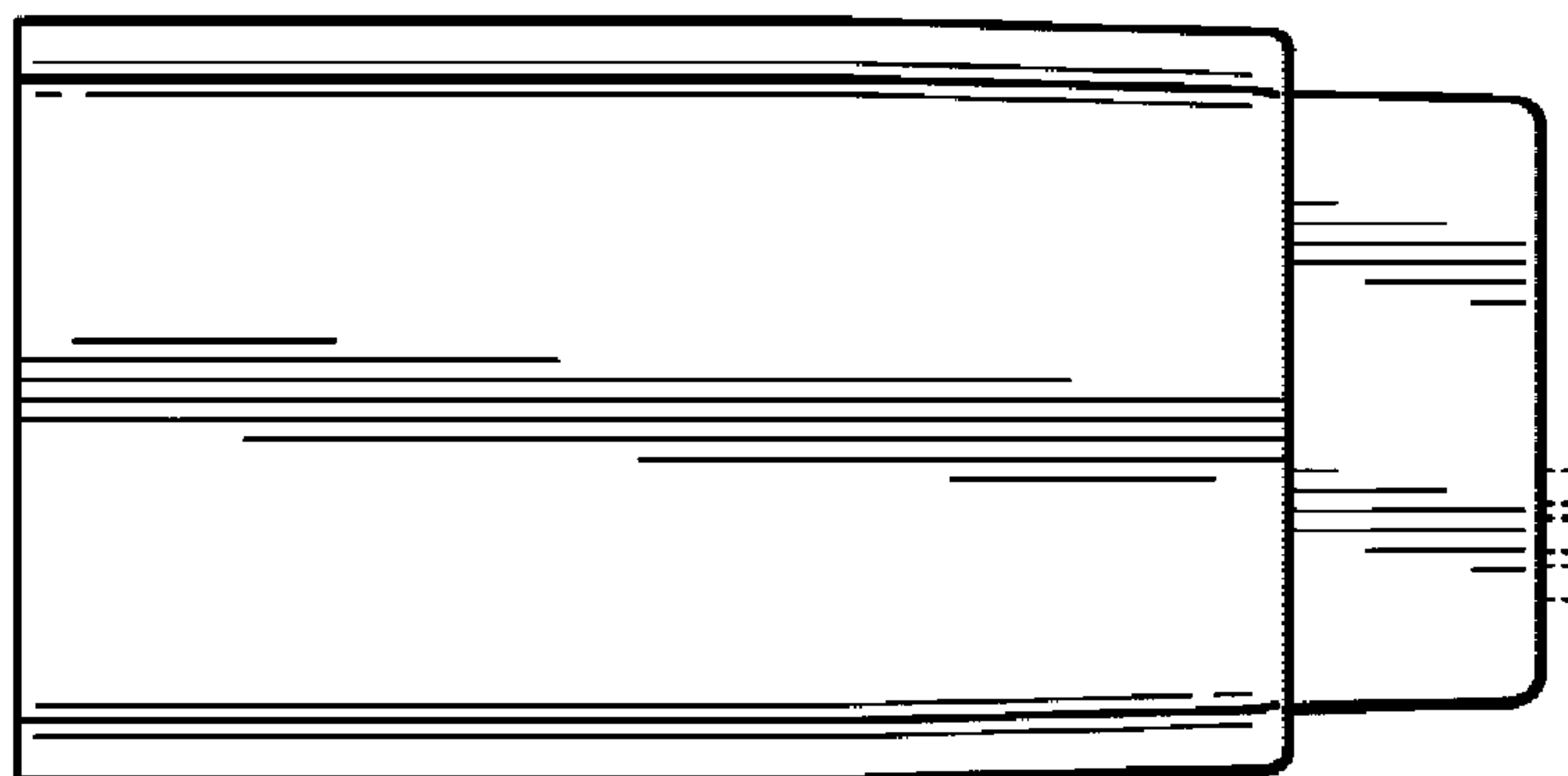


Figure 37

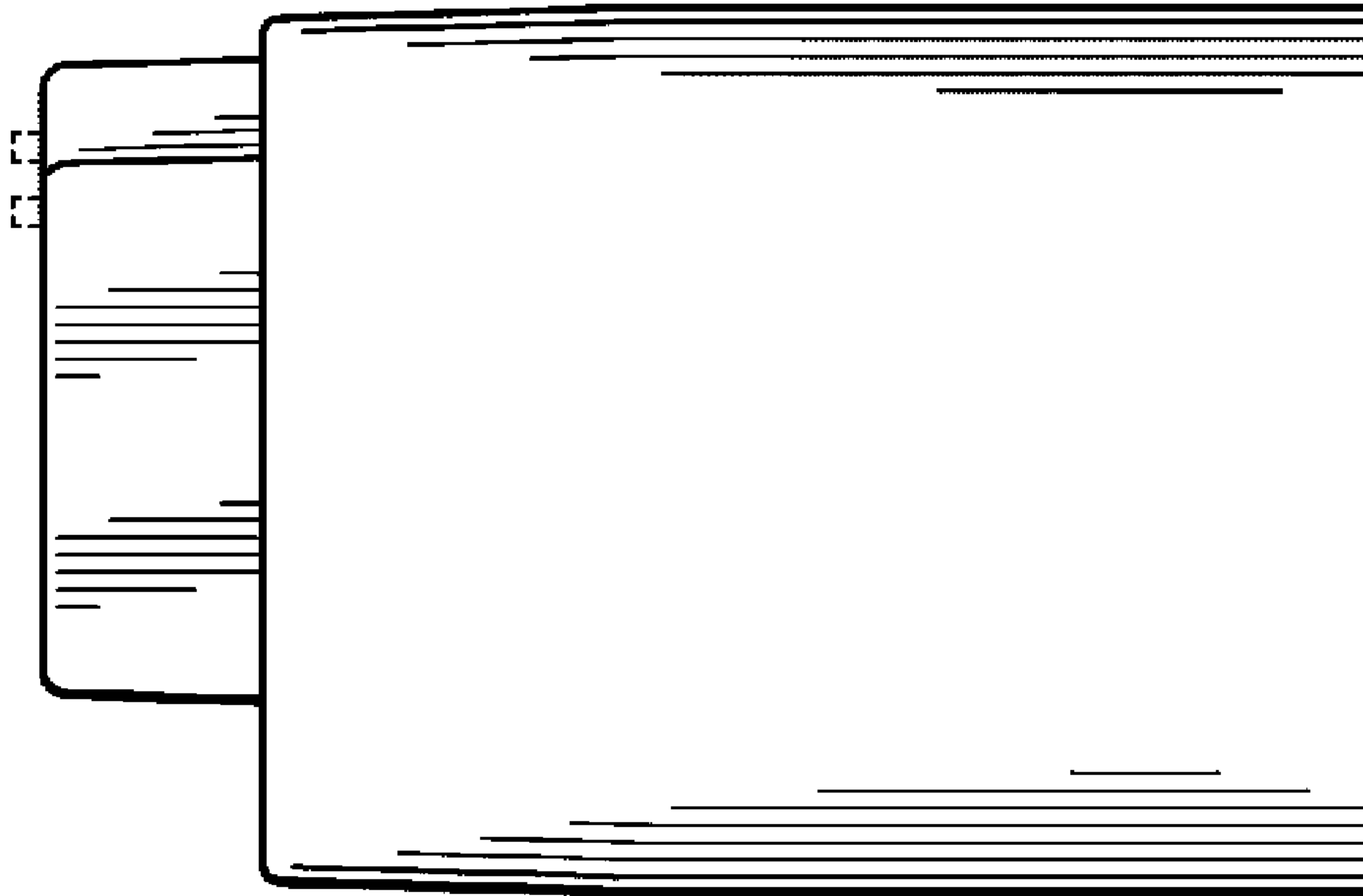


Figure 38

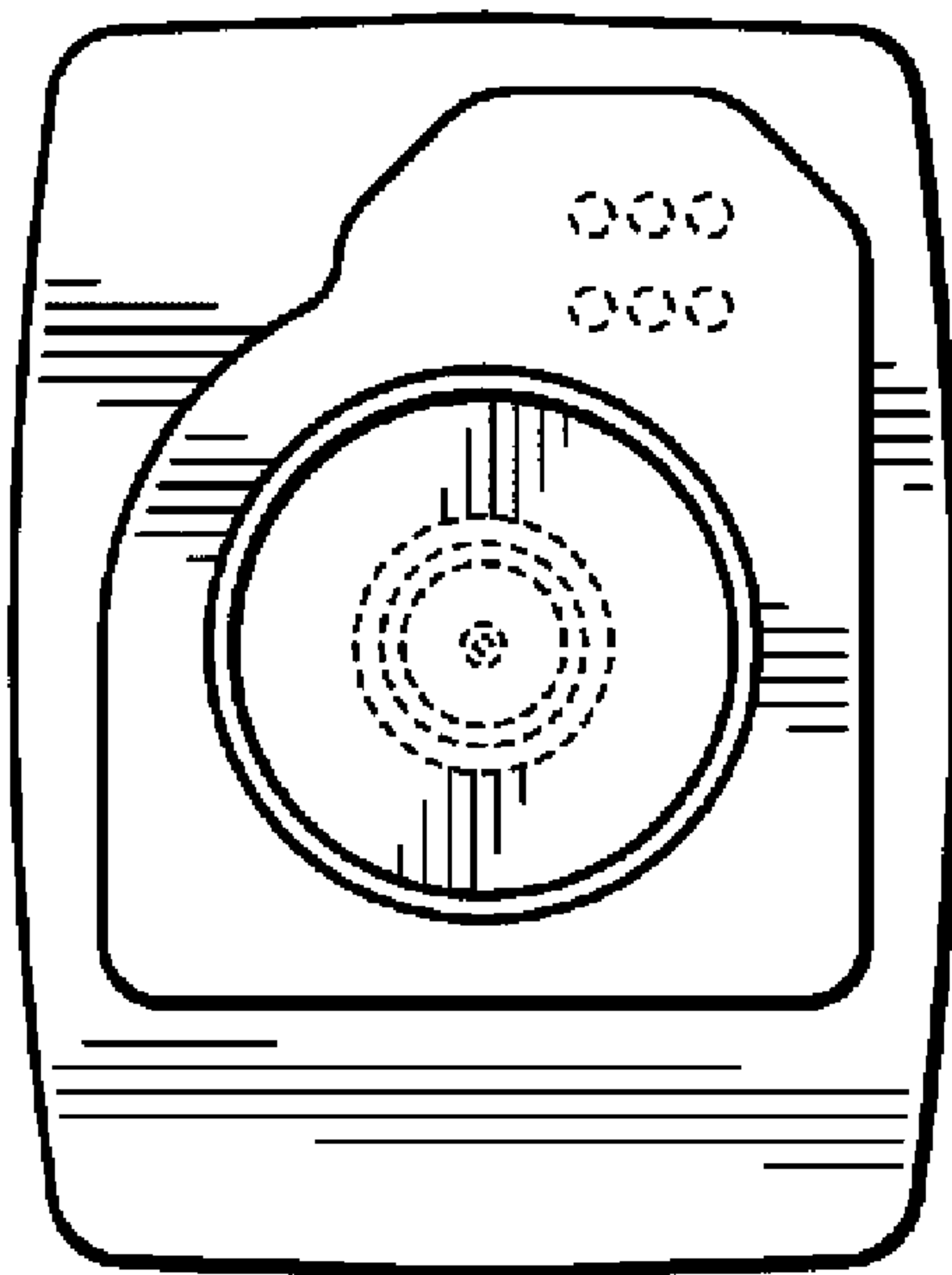


Figure 39

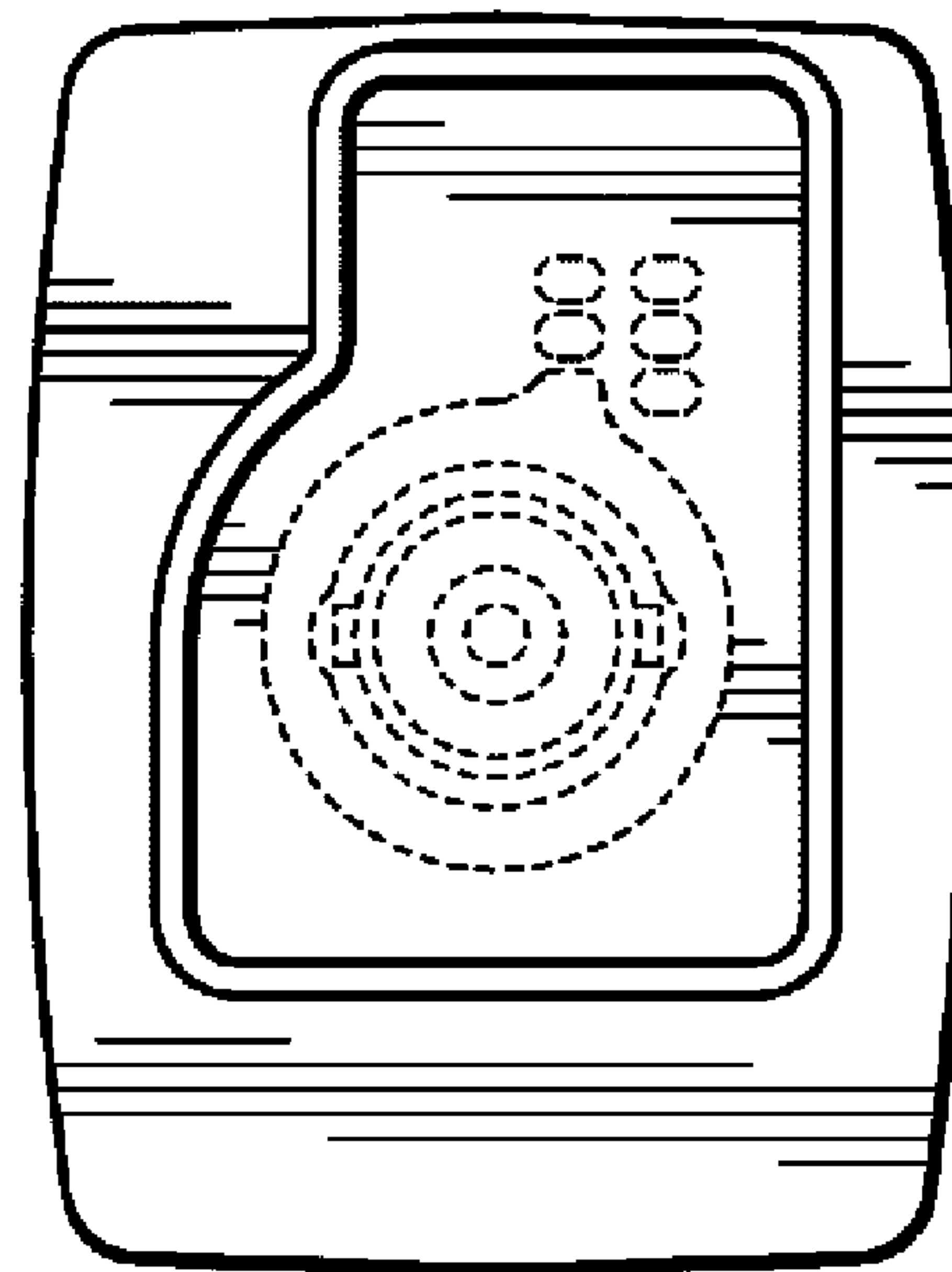


Figure 40

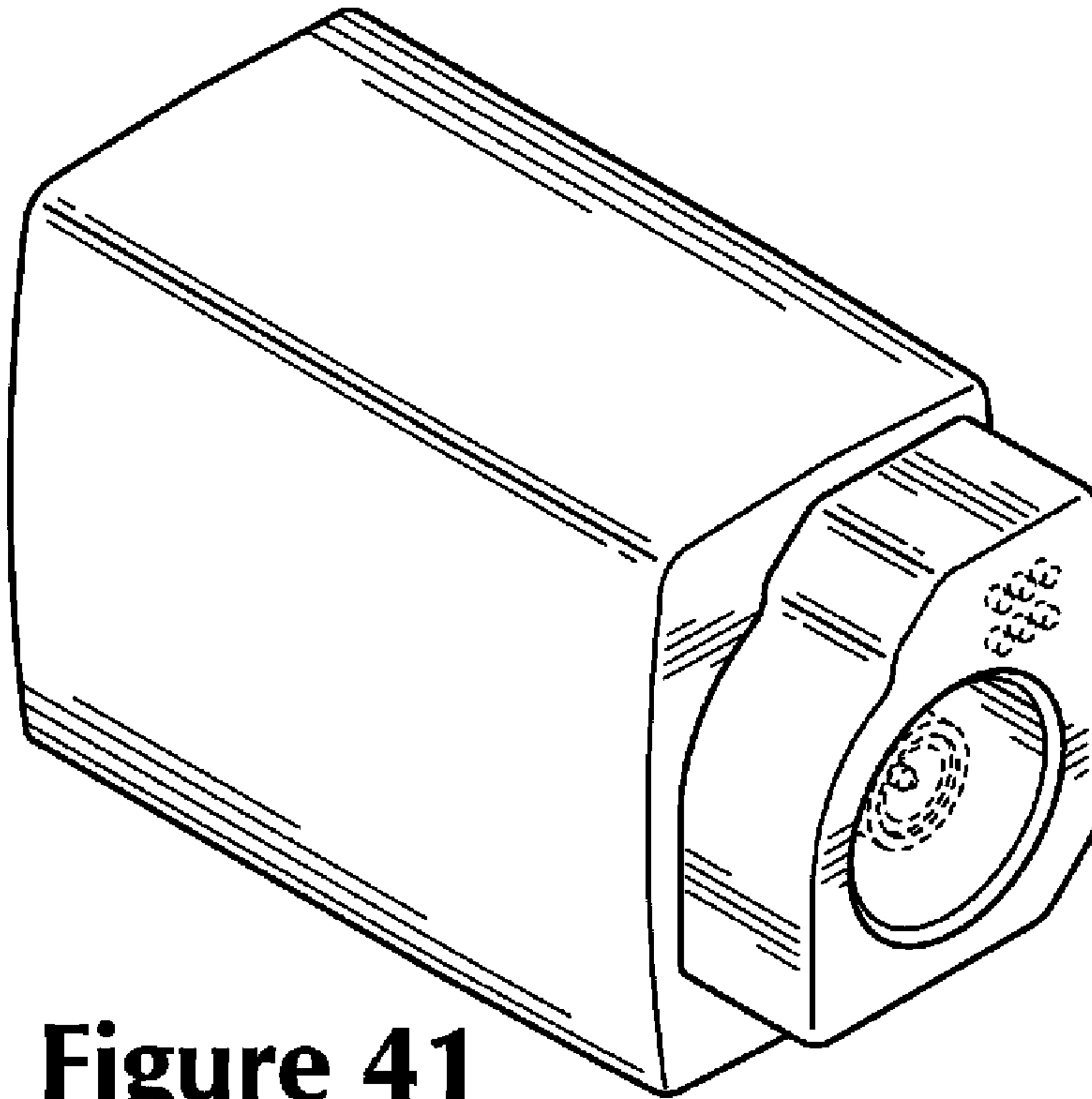


Figure 41

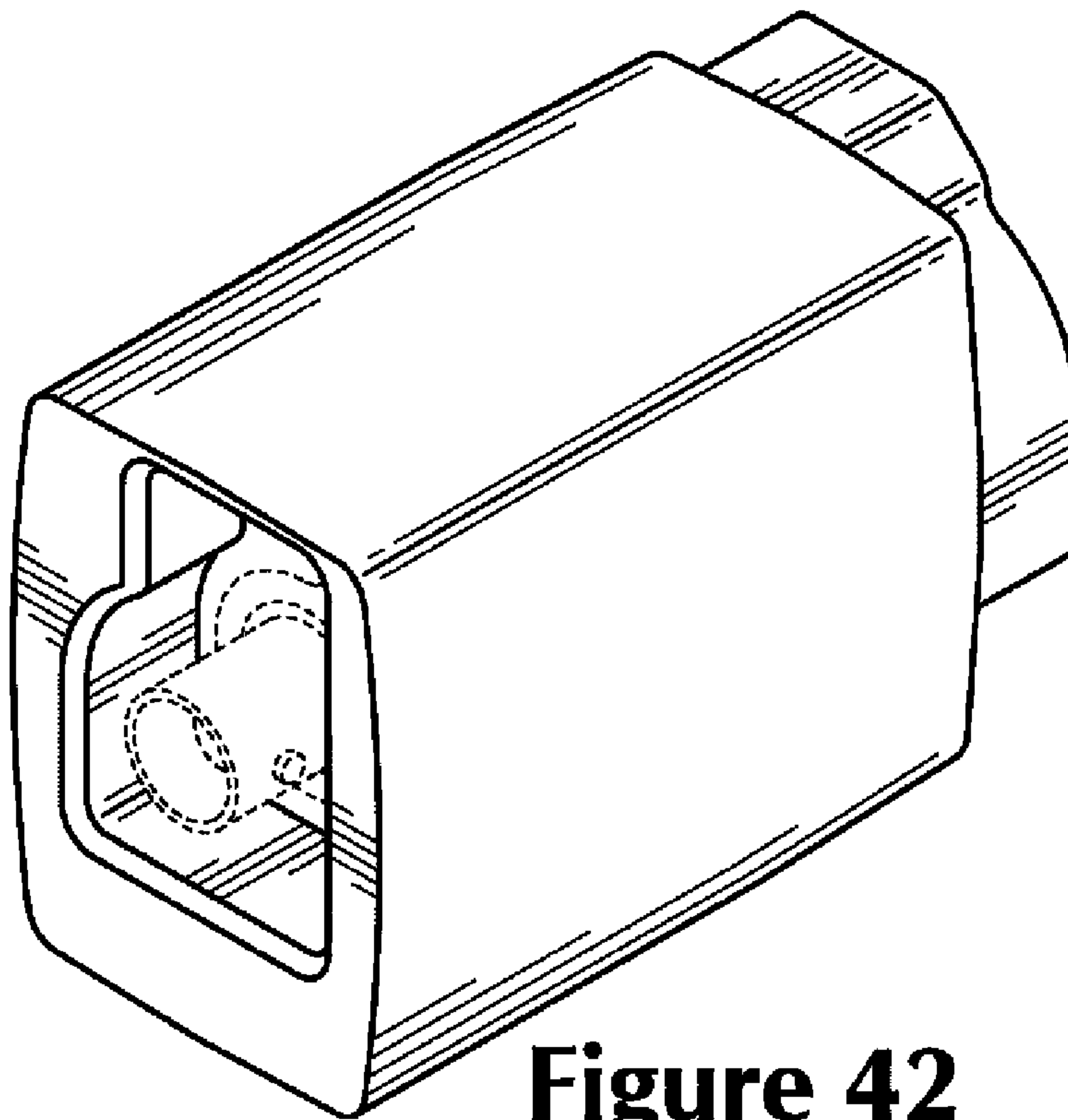


Figure 42

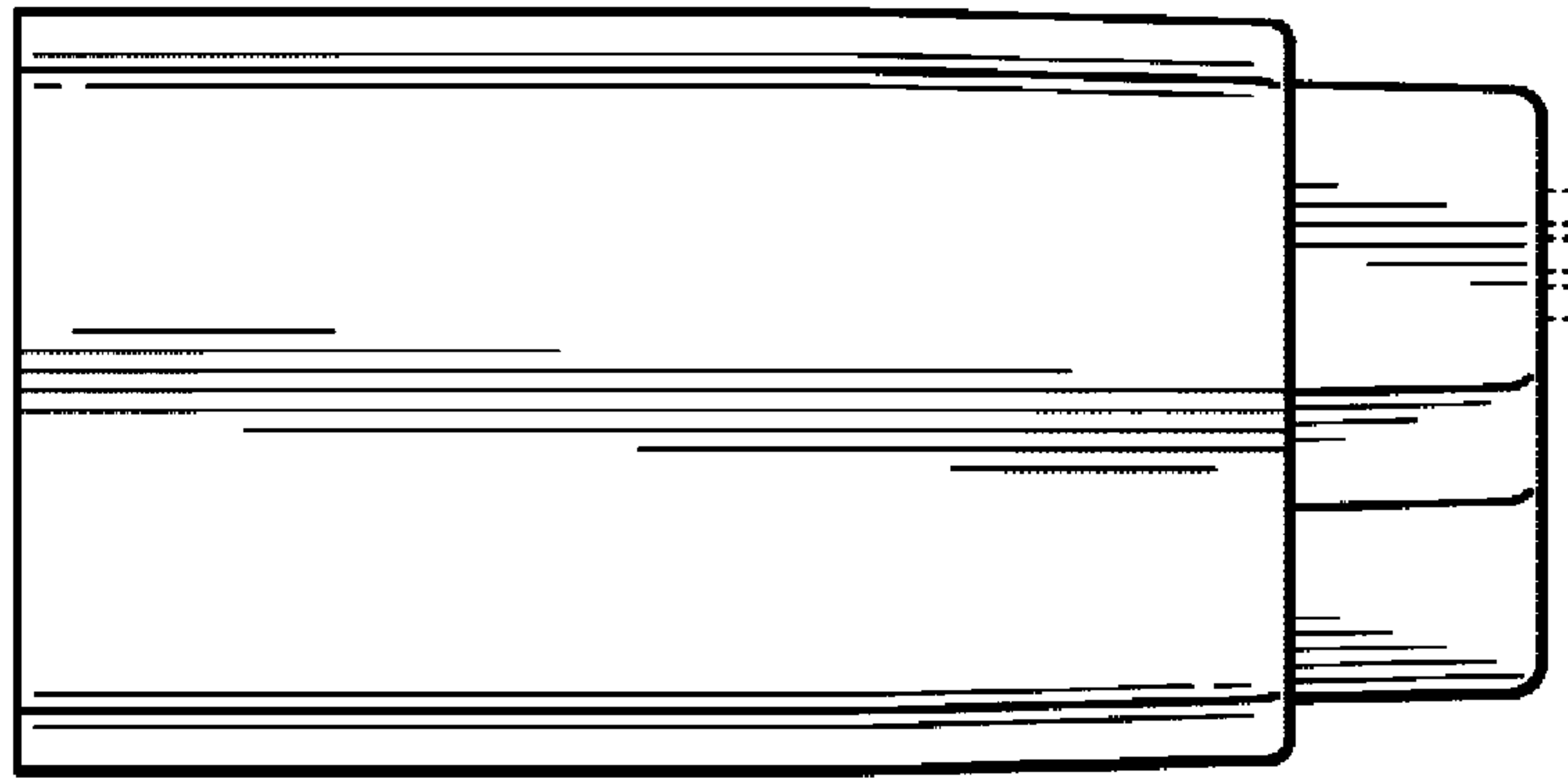


Figure 43

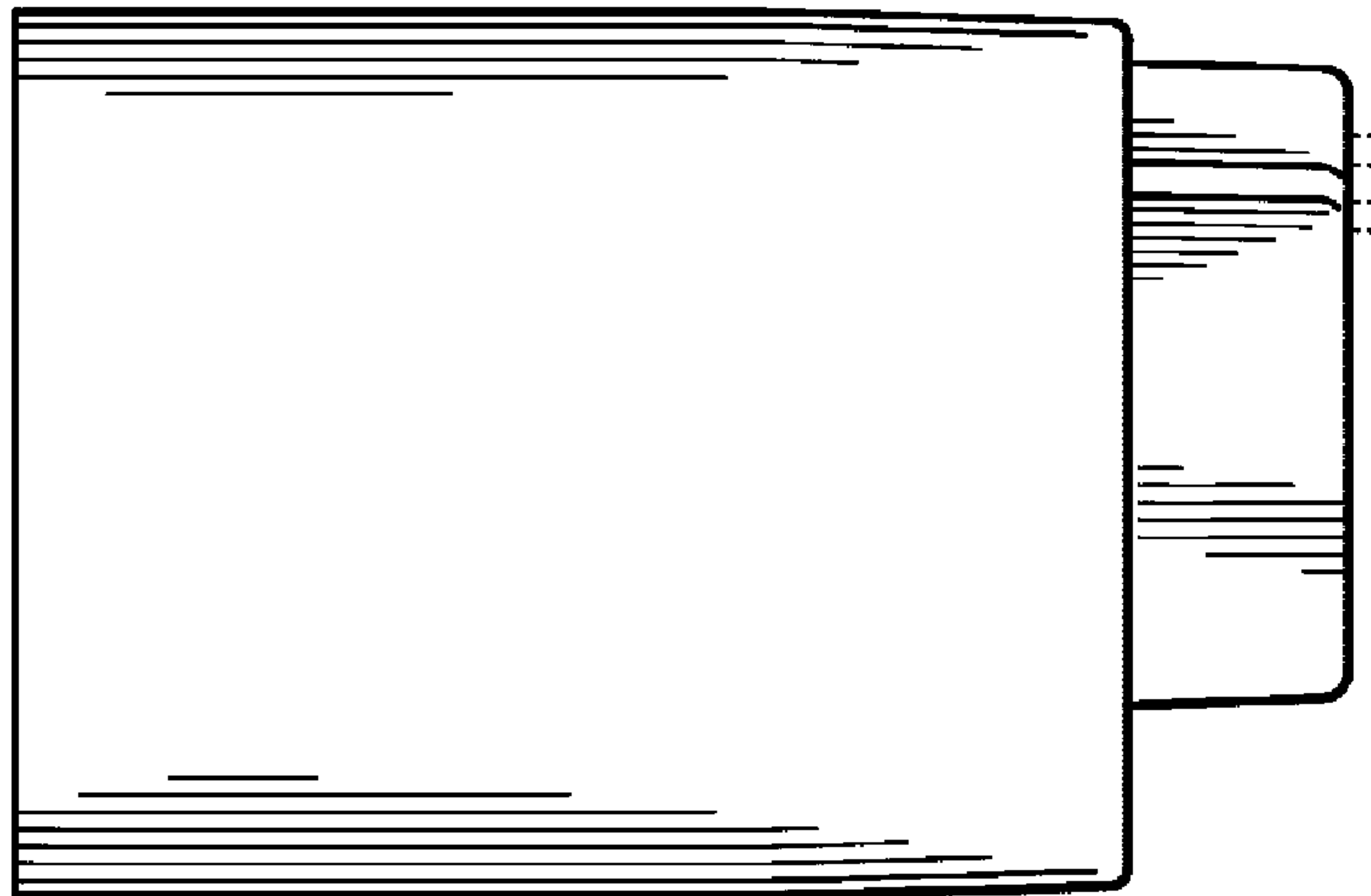


Figure 44

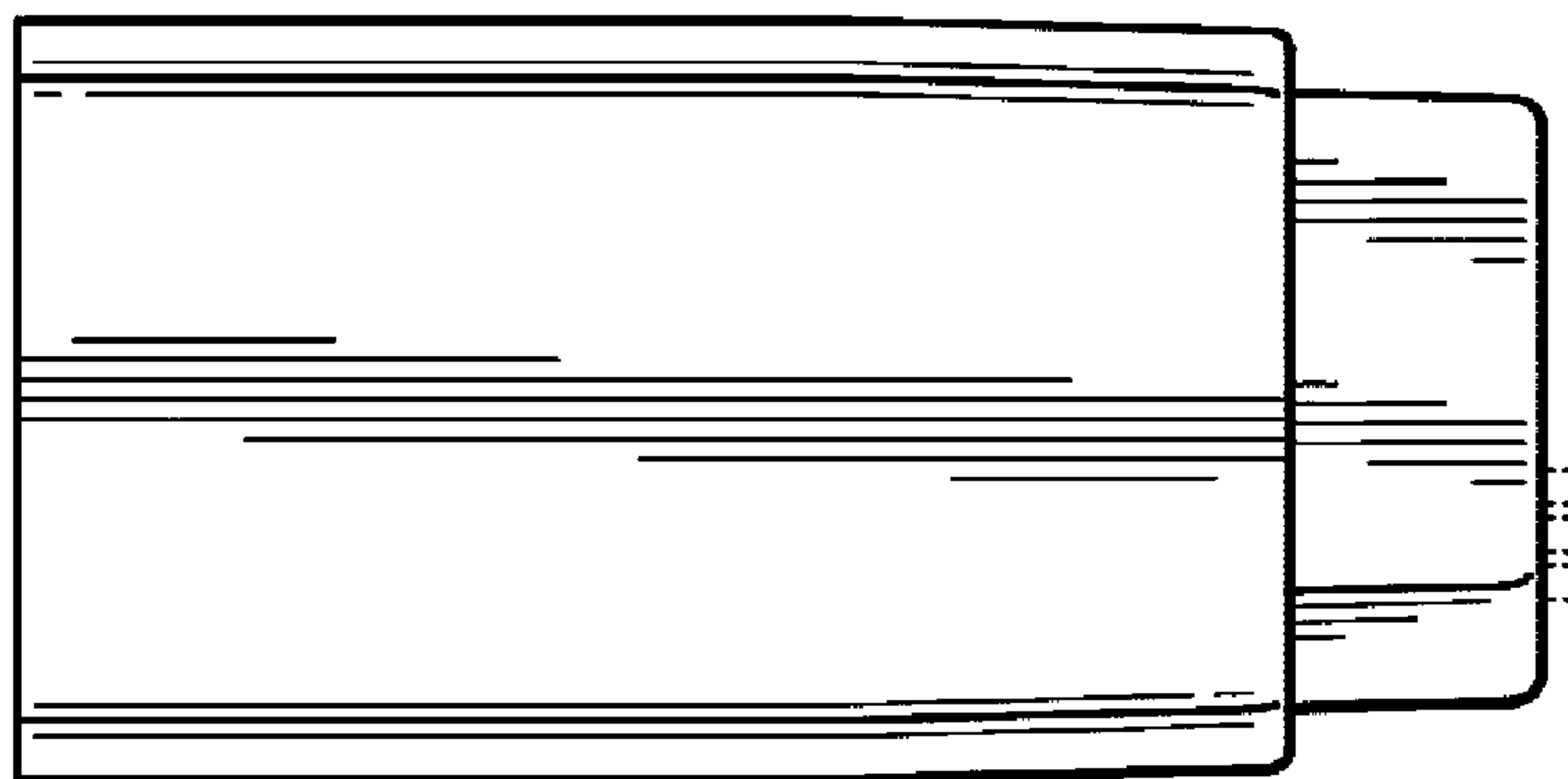


Figure 45

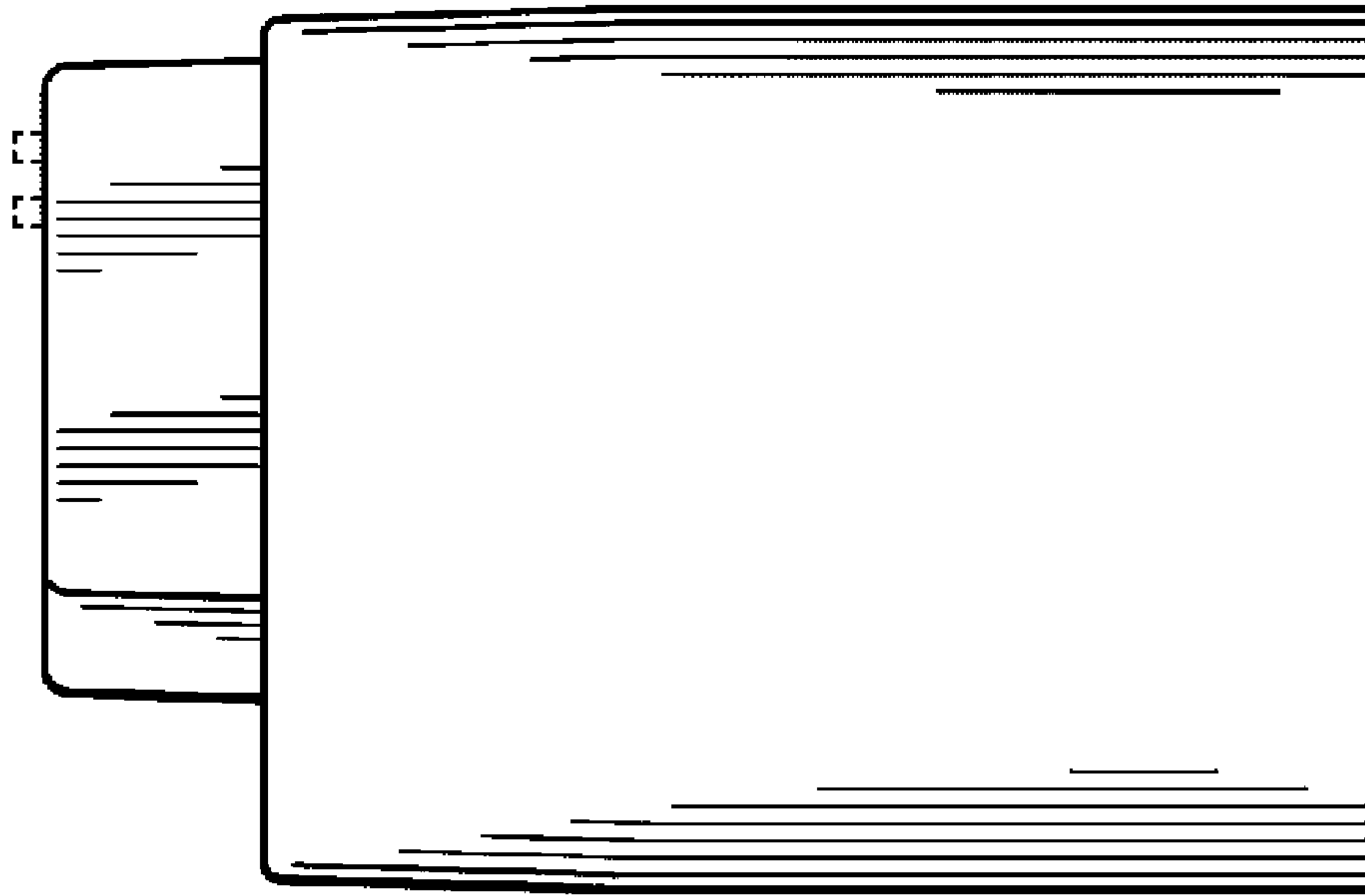


Figure 46

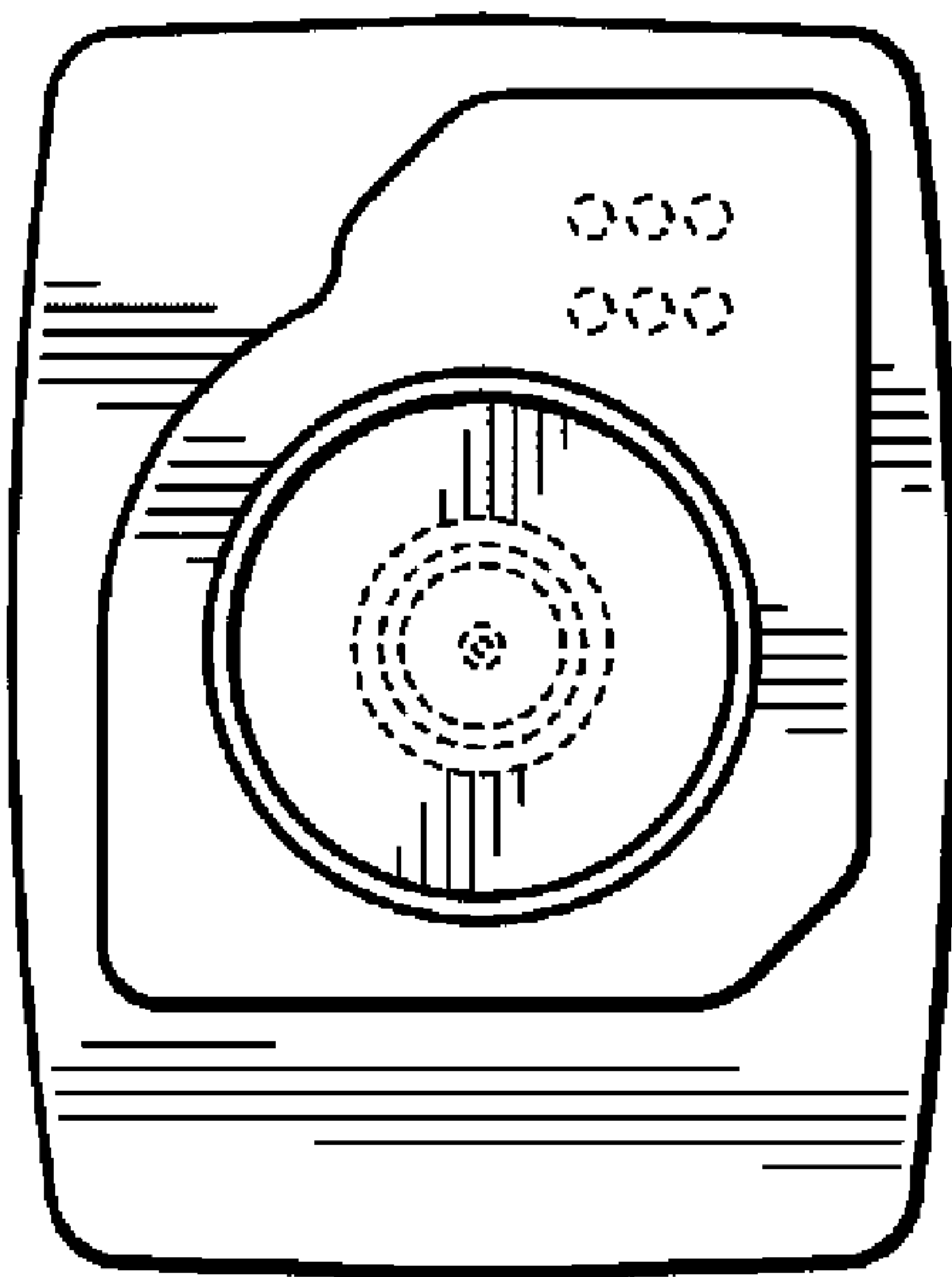


Figure 47

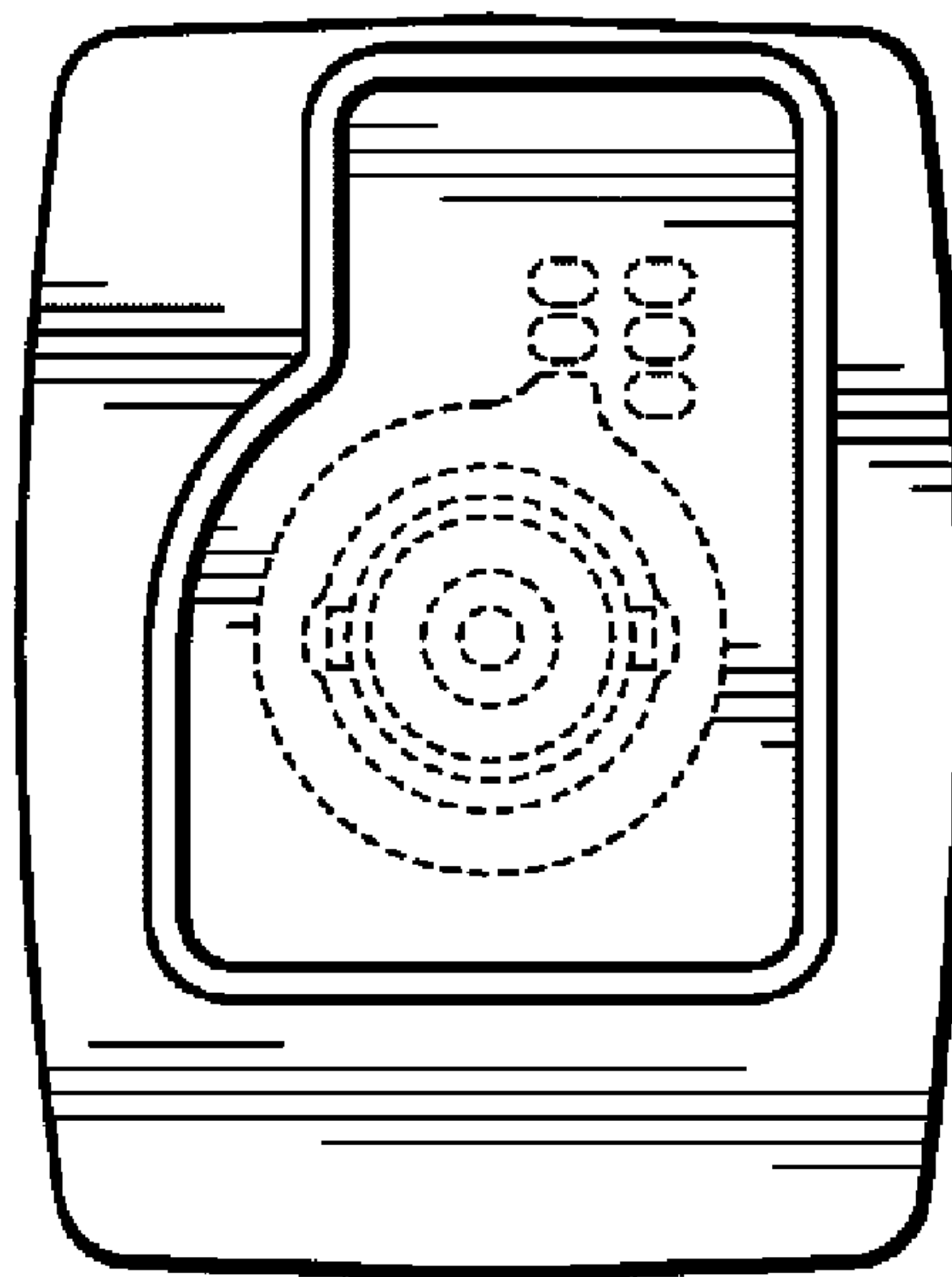


Figure 48

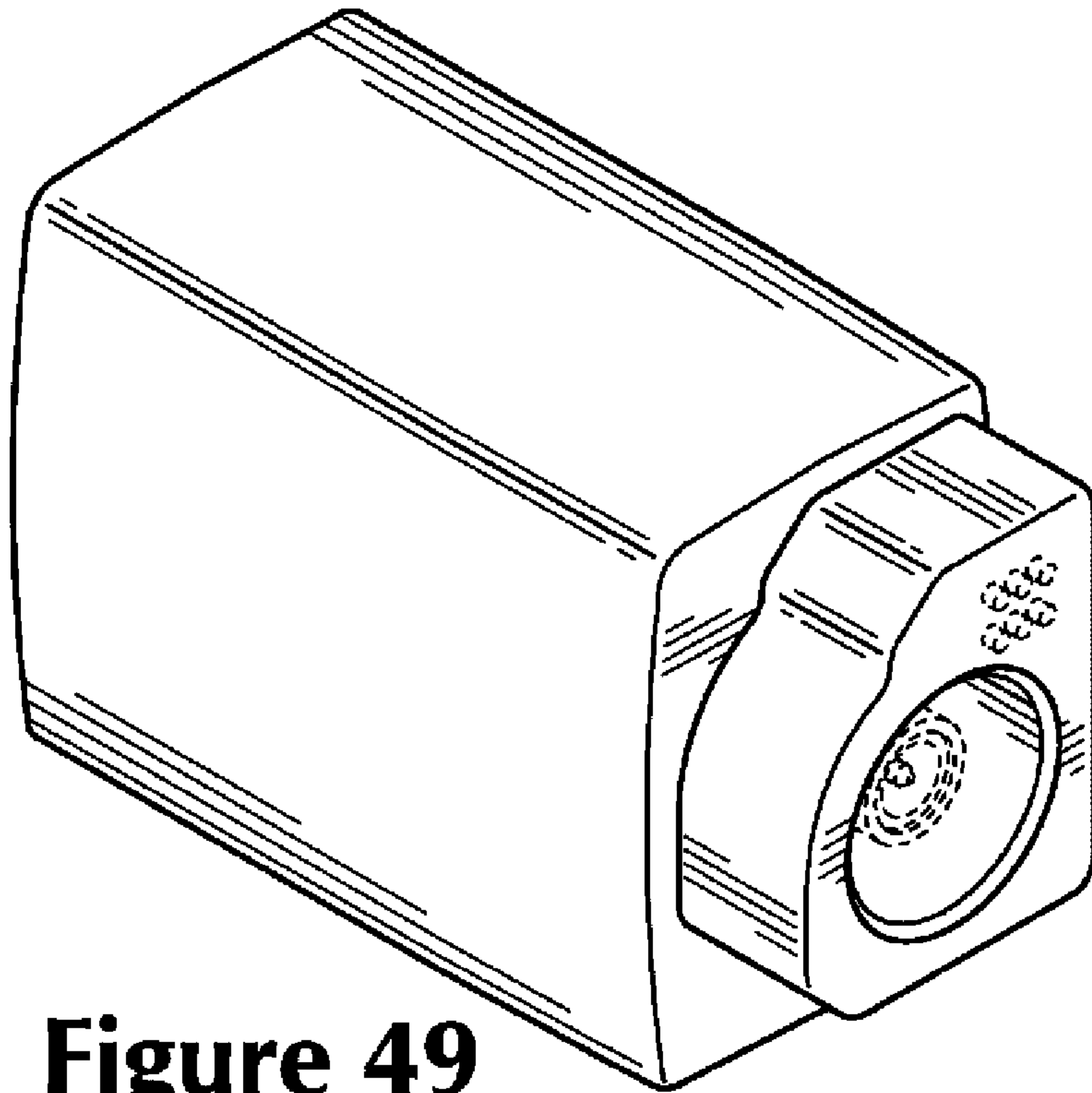


Figure 49

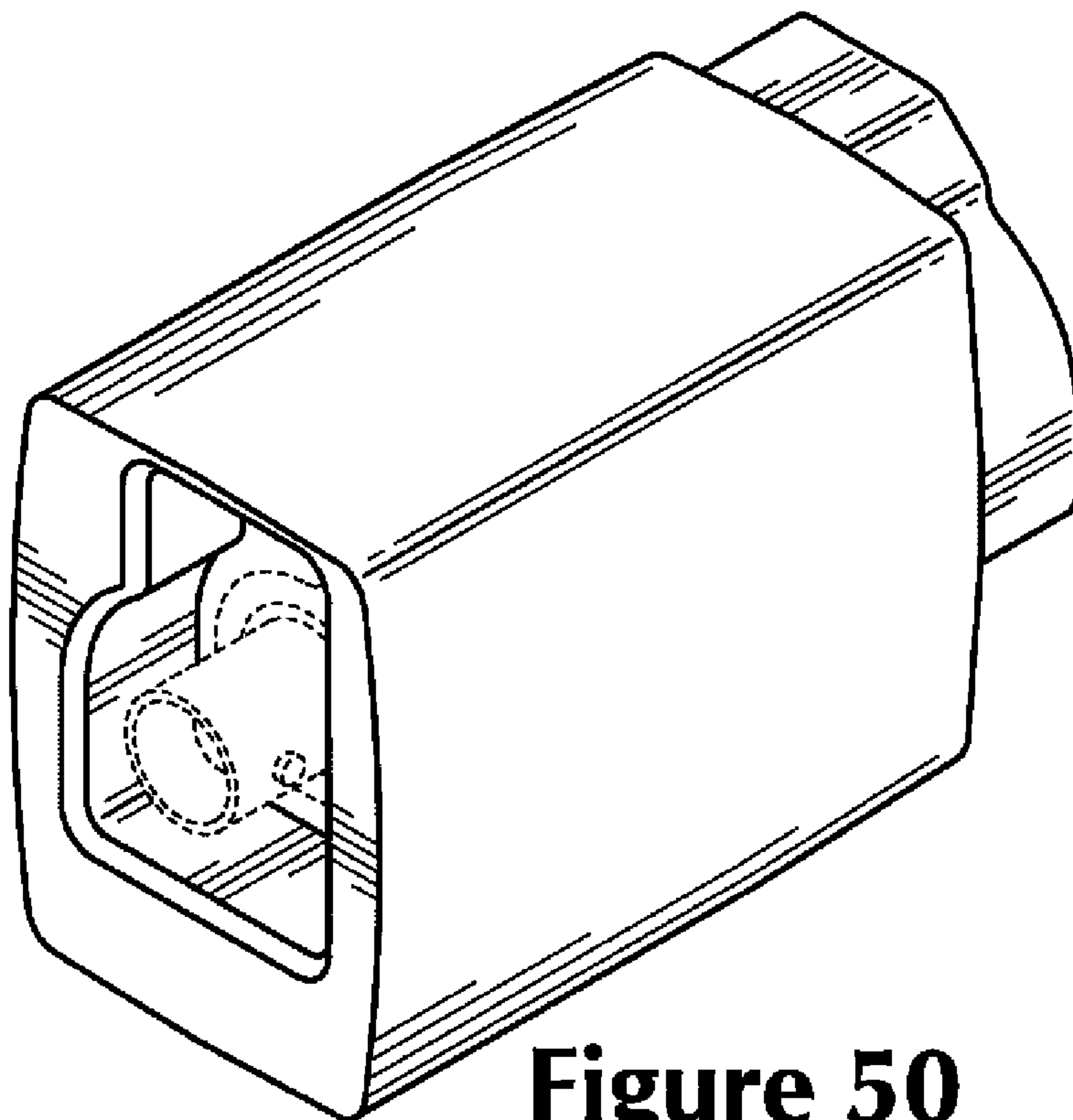


Figure 50

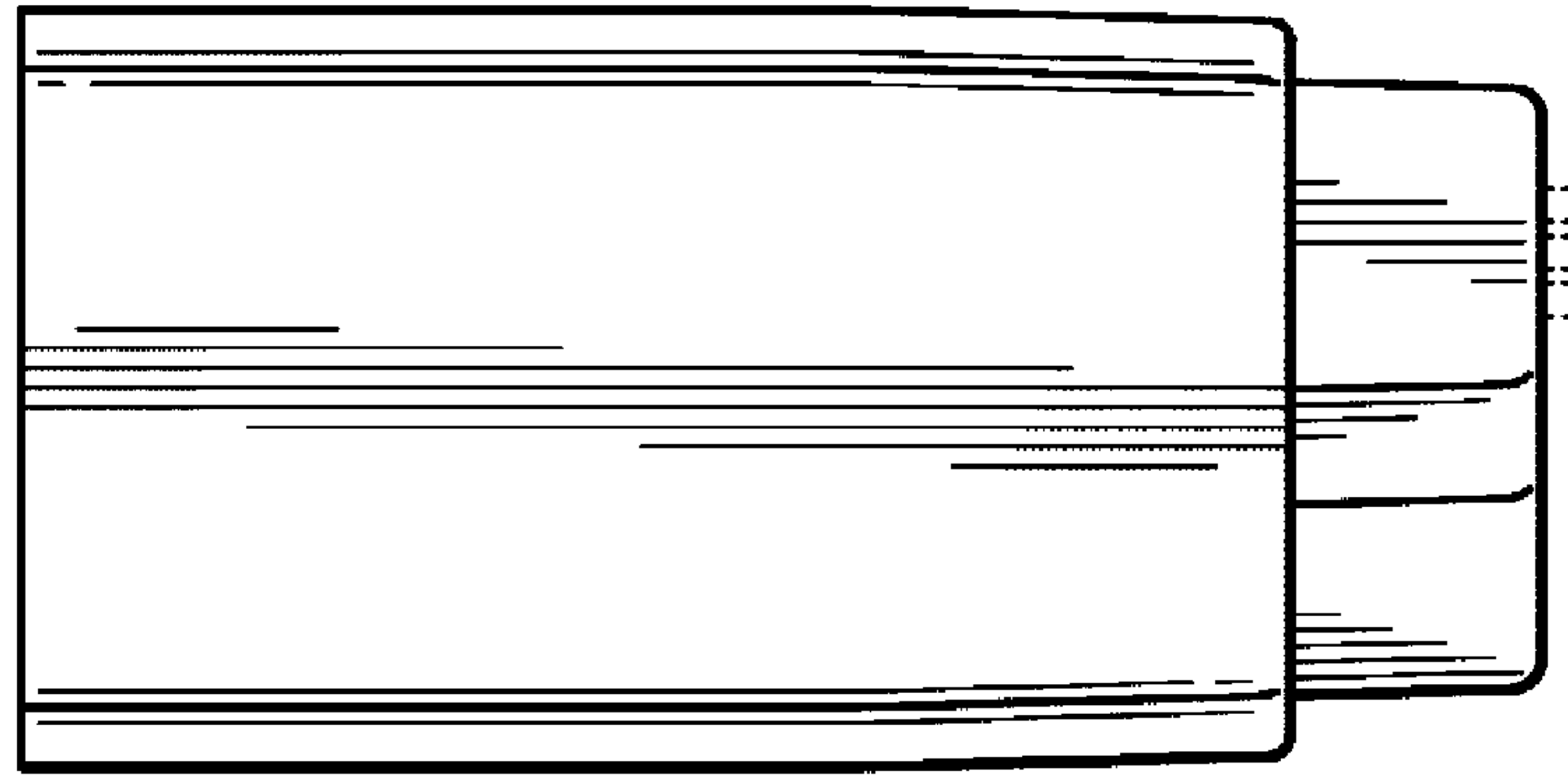


Figure 51

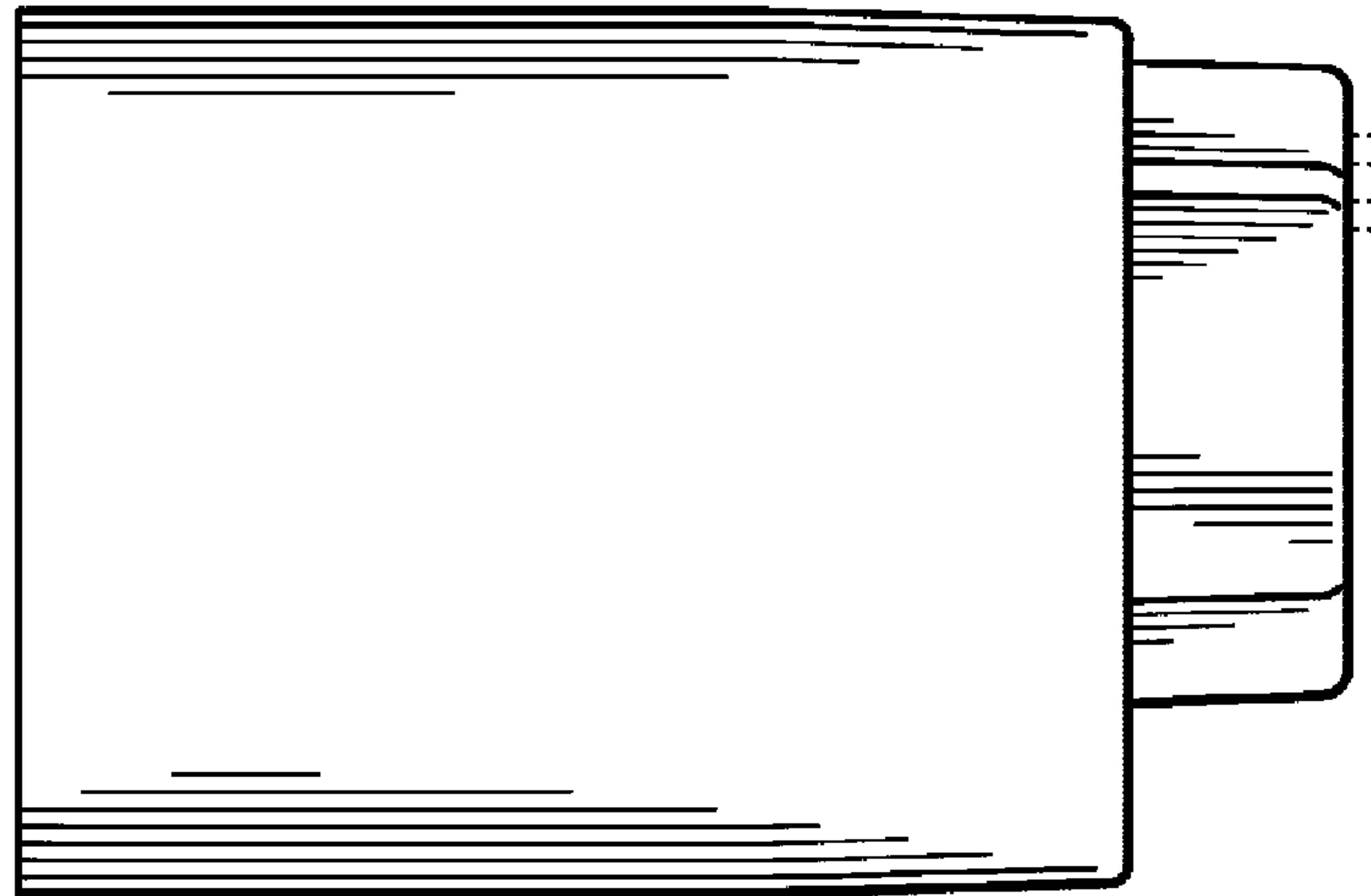


Figure 52

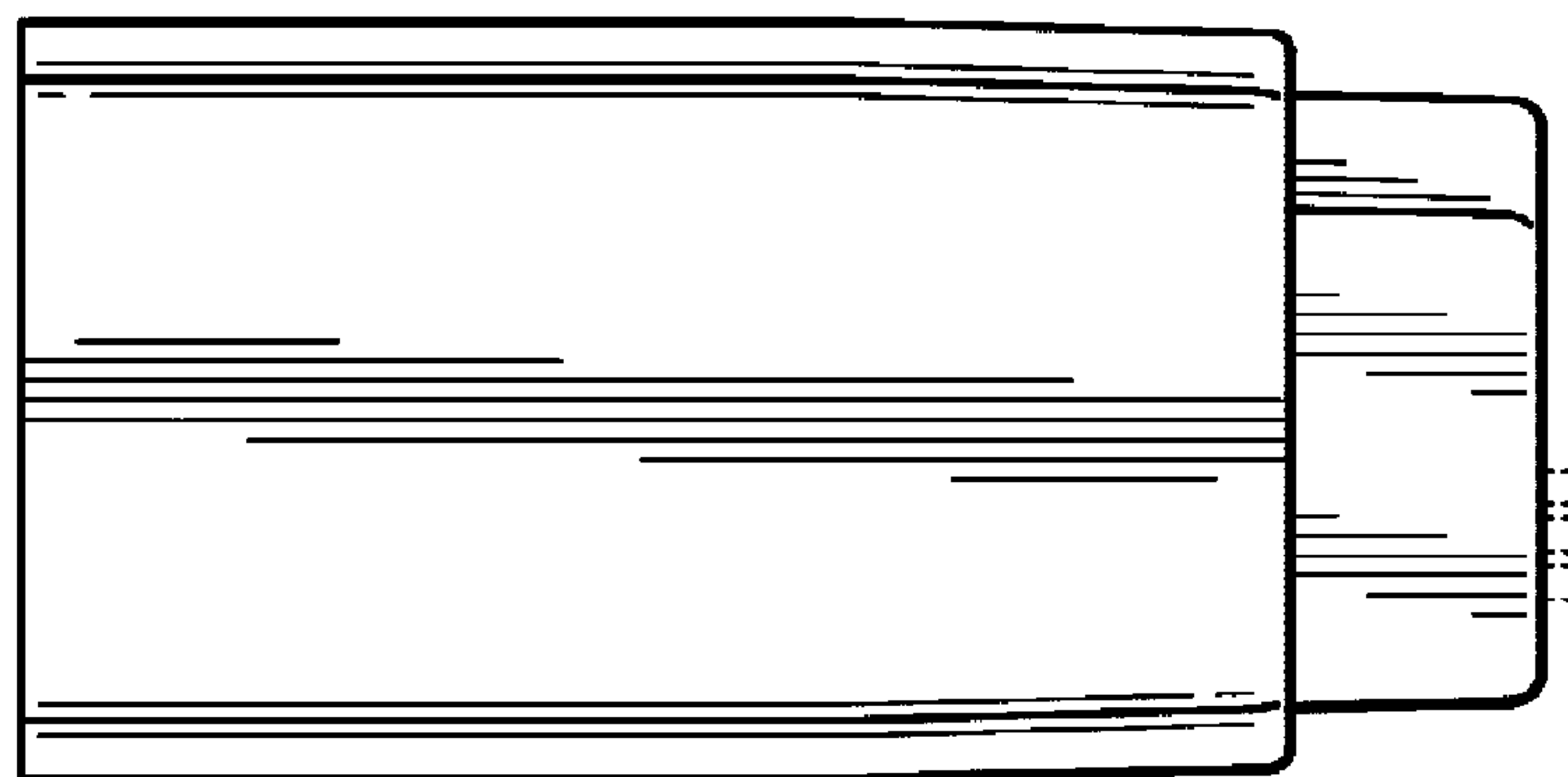


Figure 53

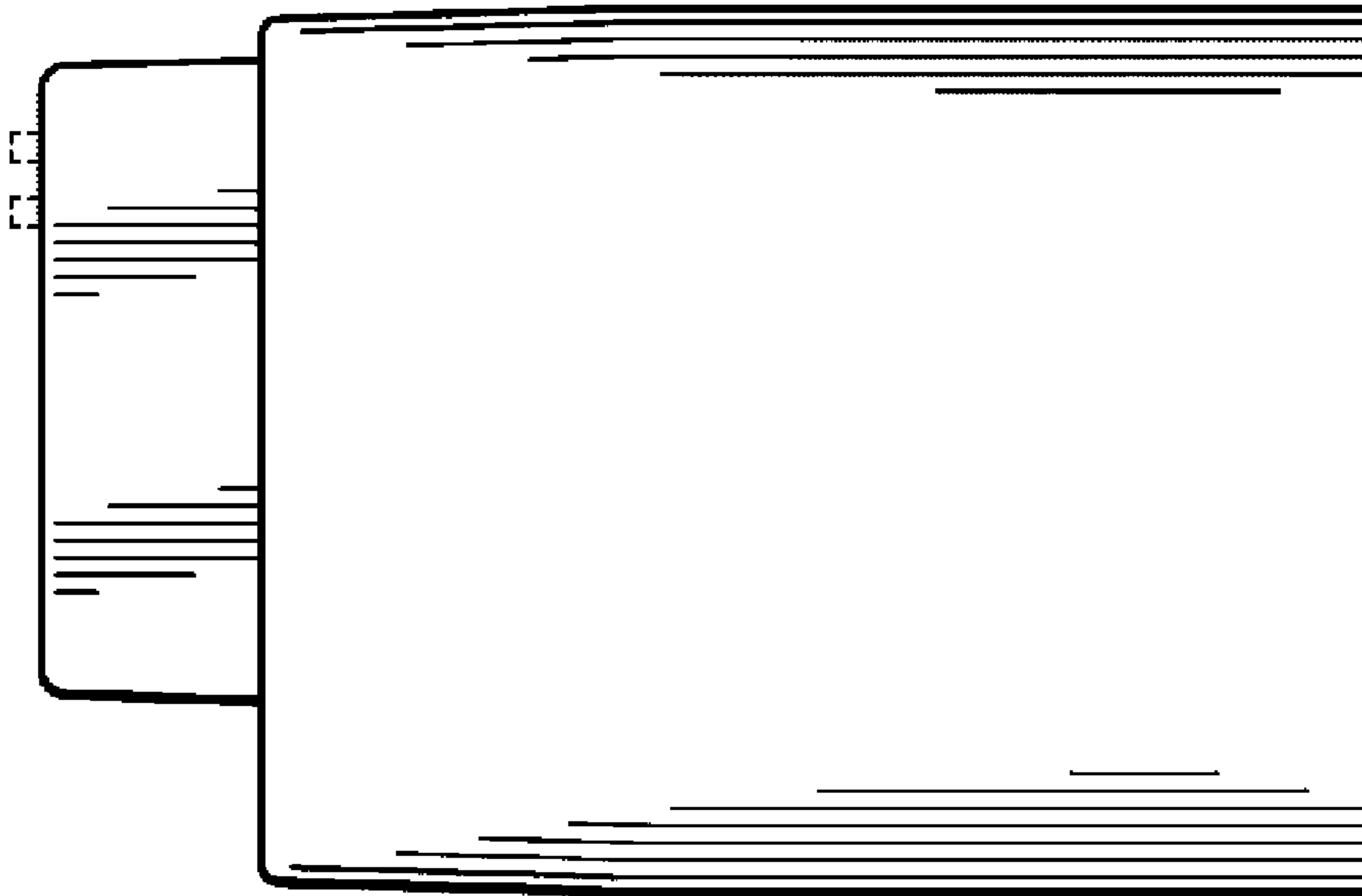


Figure 54

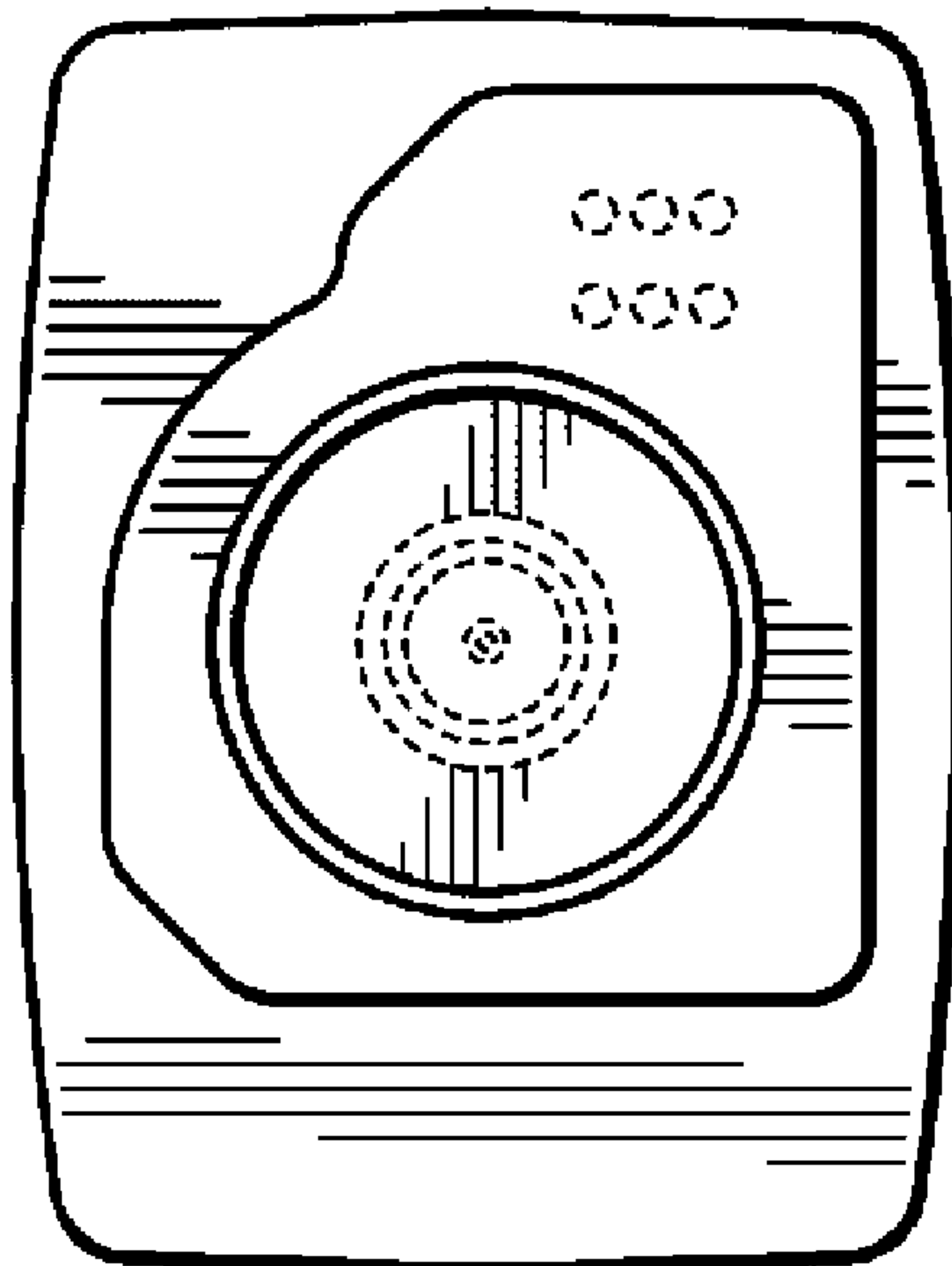


Figure 55

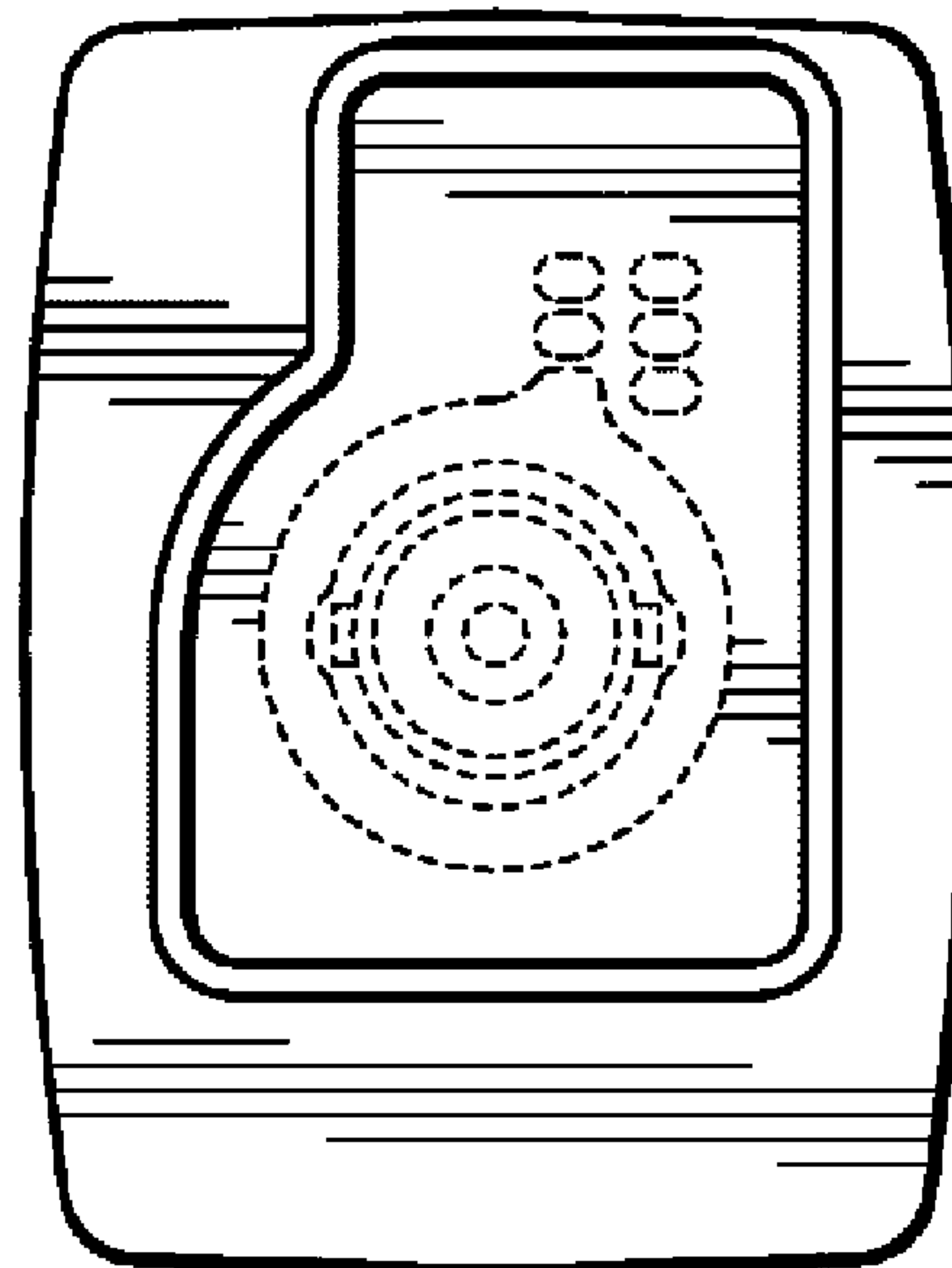


Figure 56

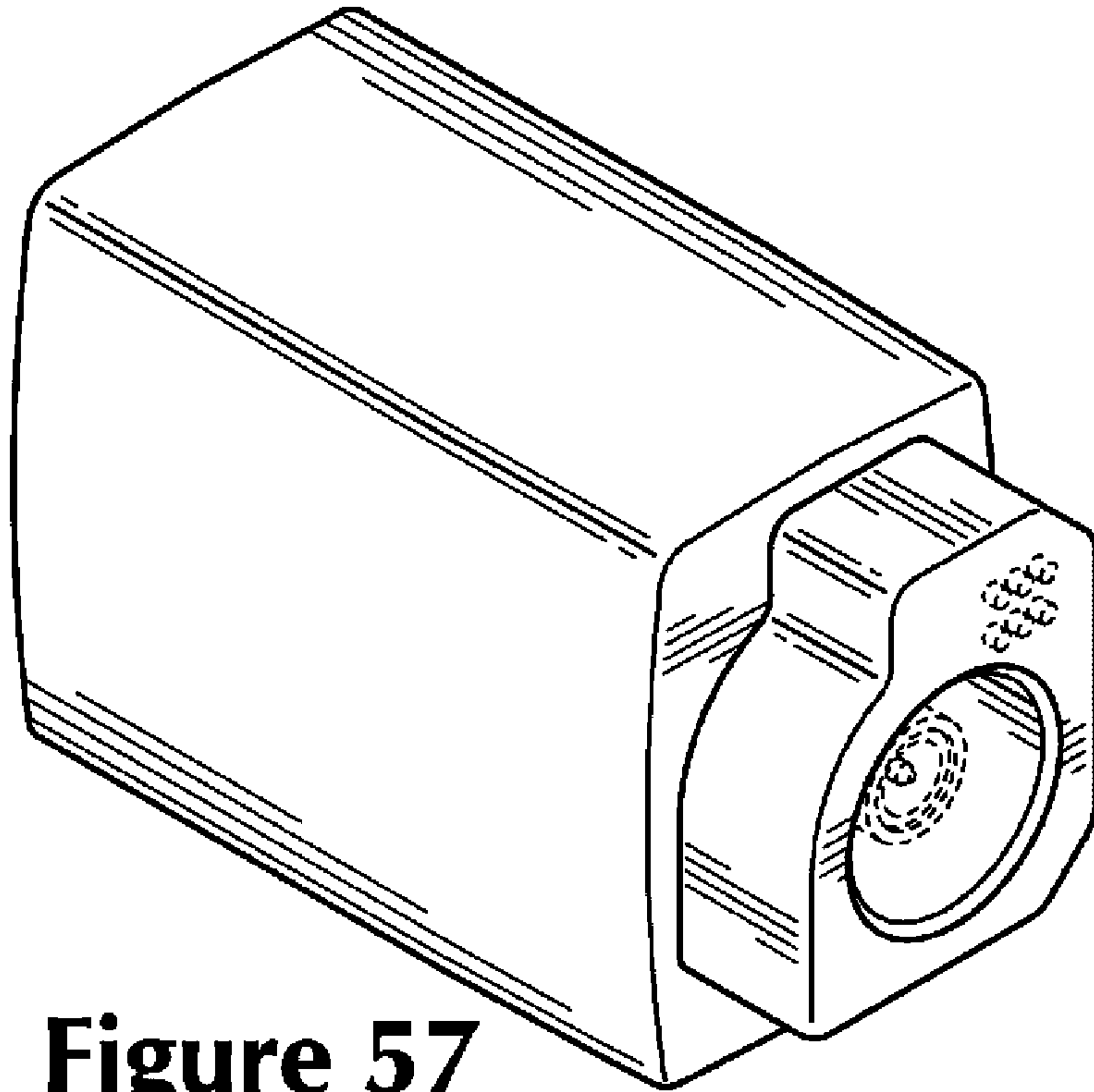


Figure 57

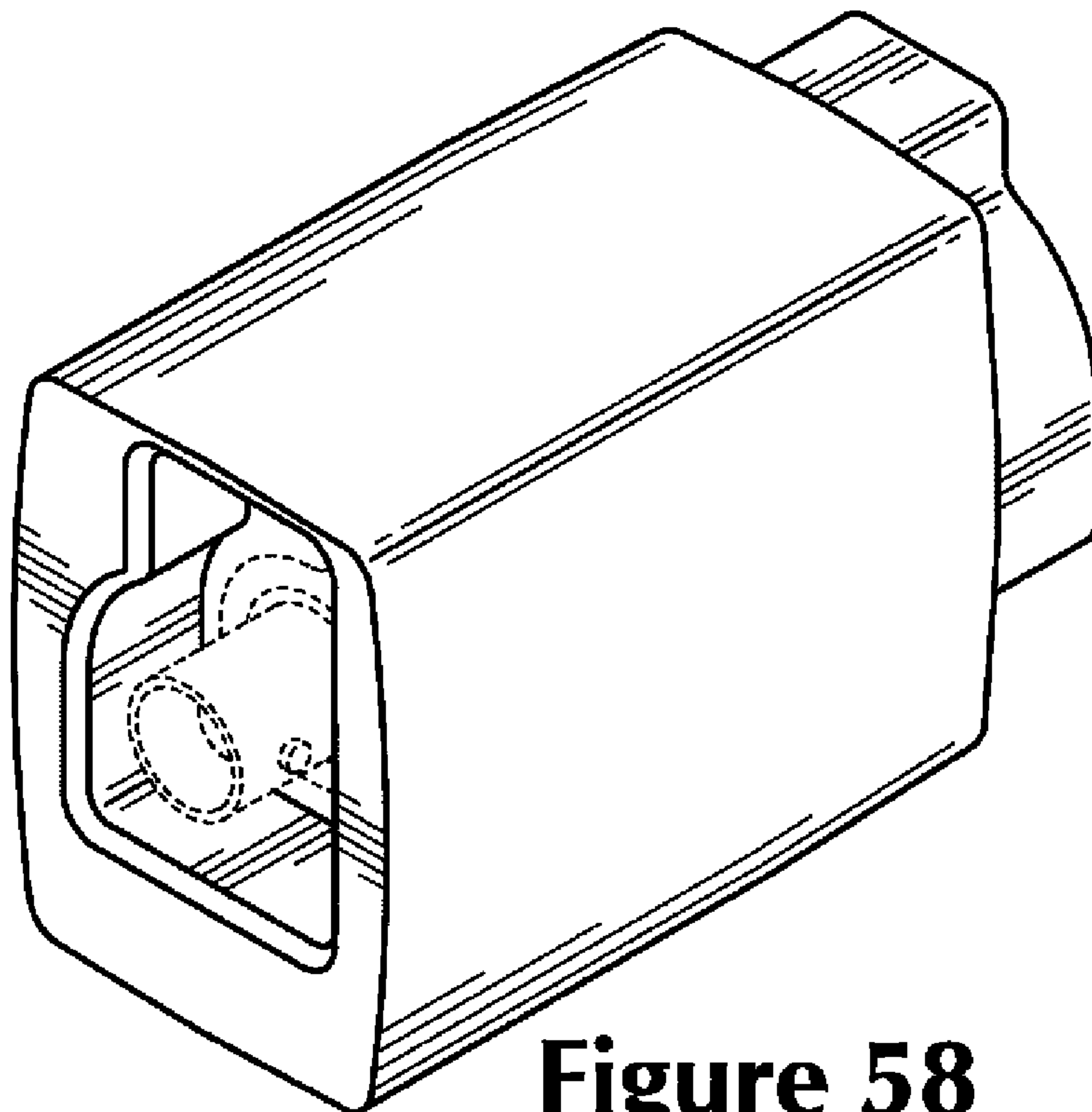


Figure 58

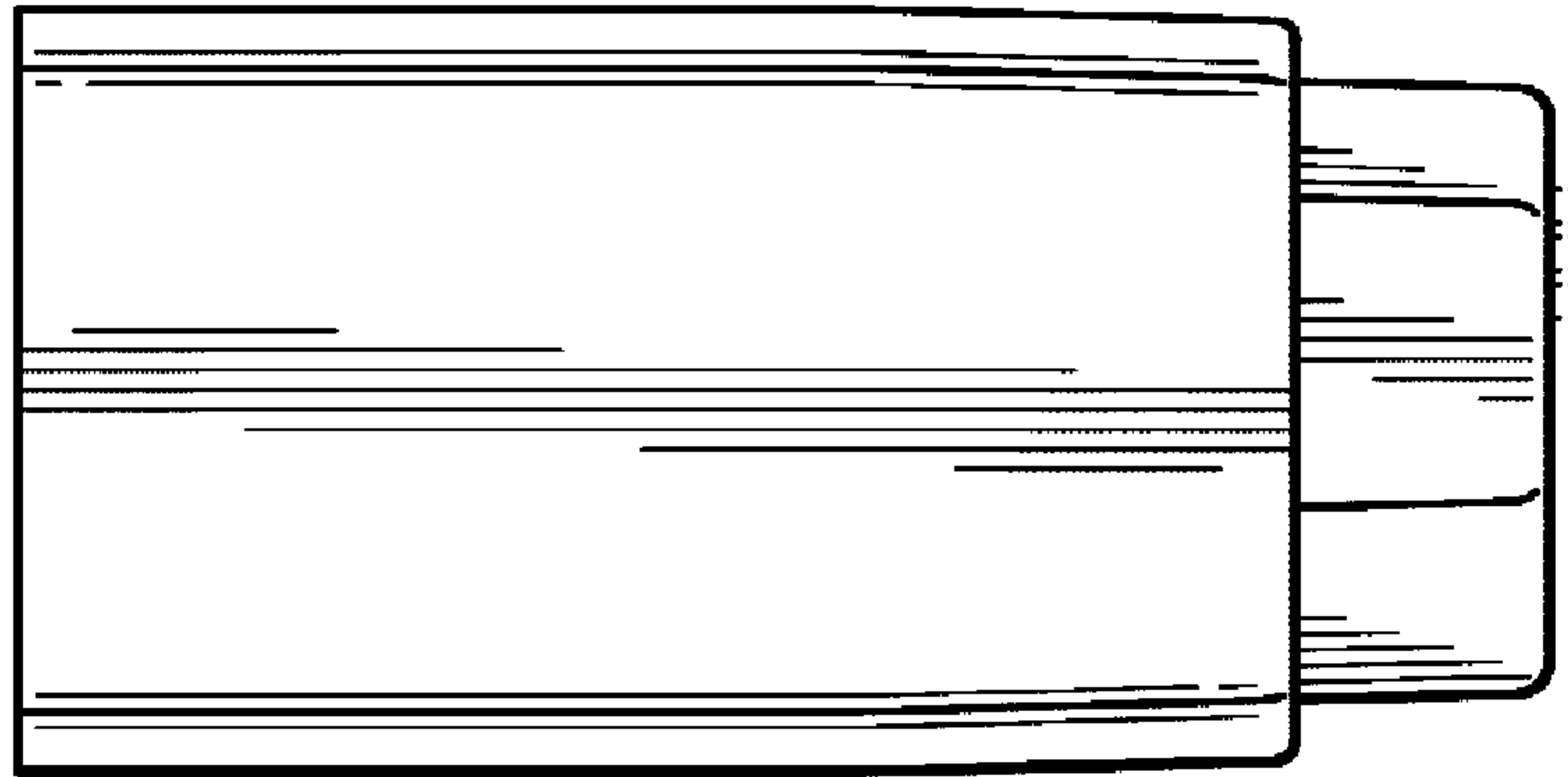


Figure 59

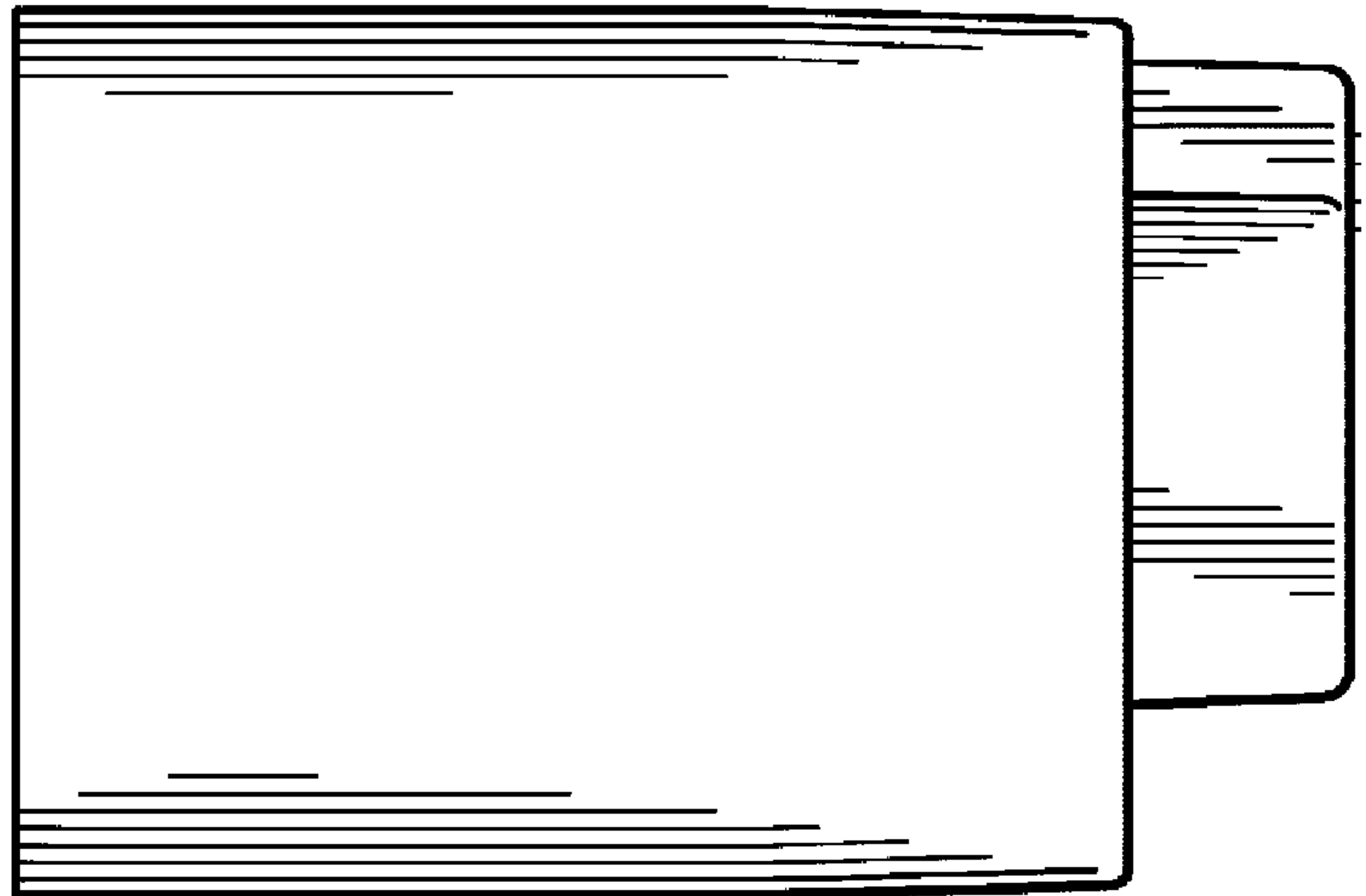


Figure 60

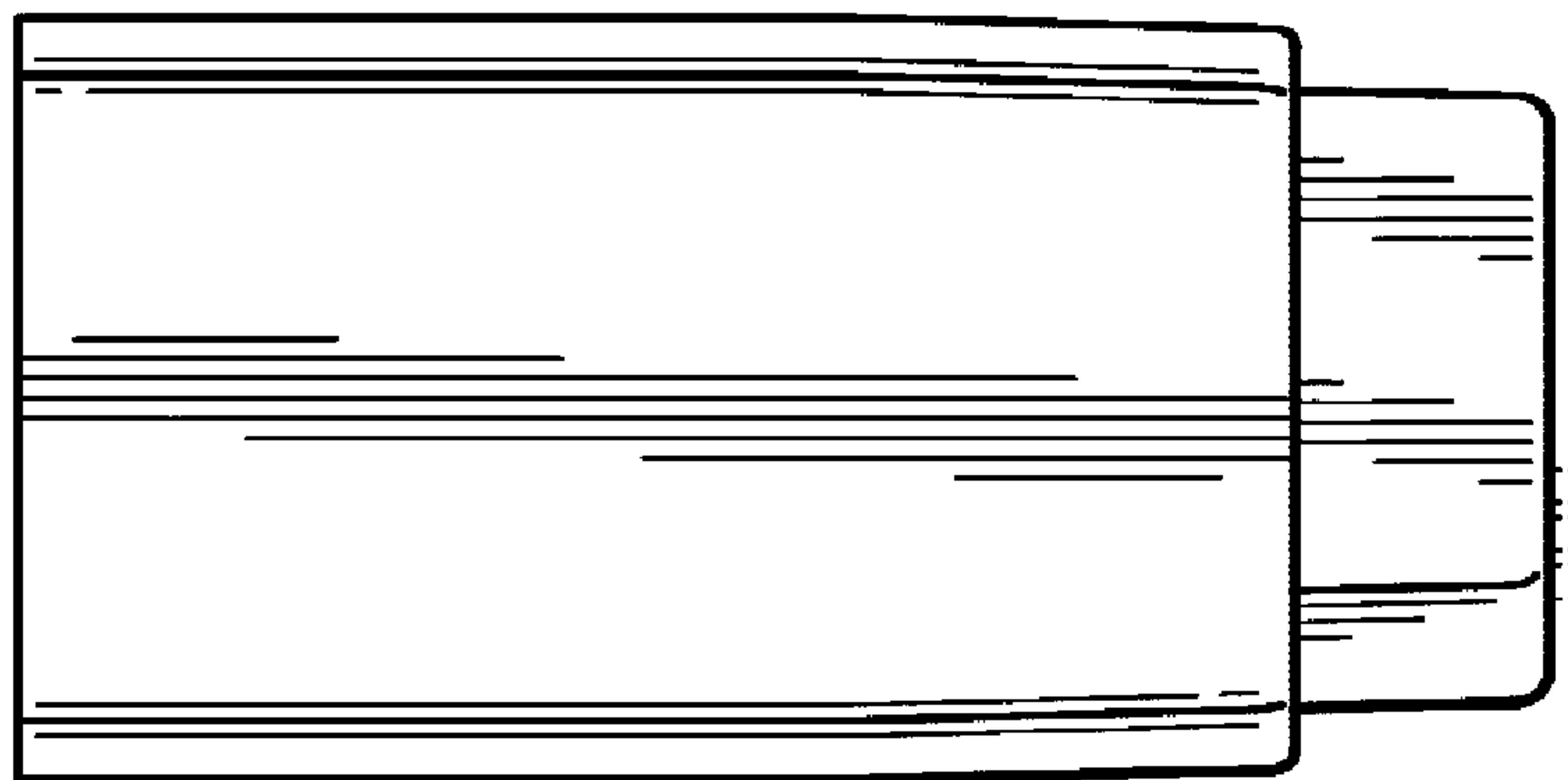


Figure 61

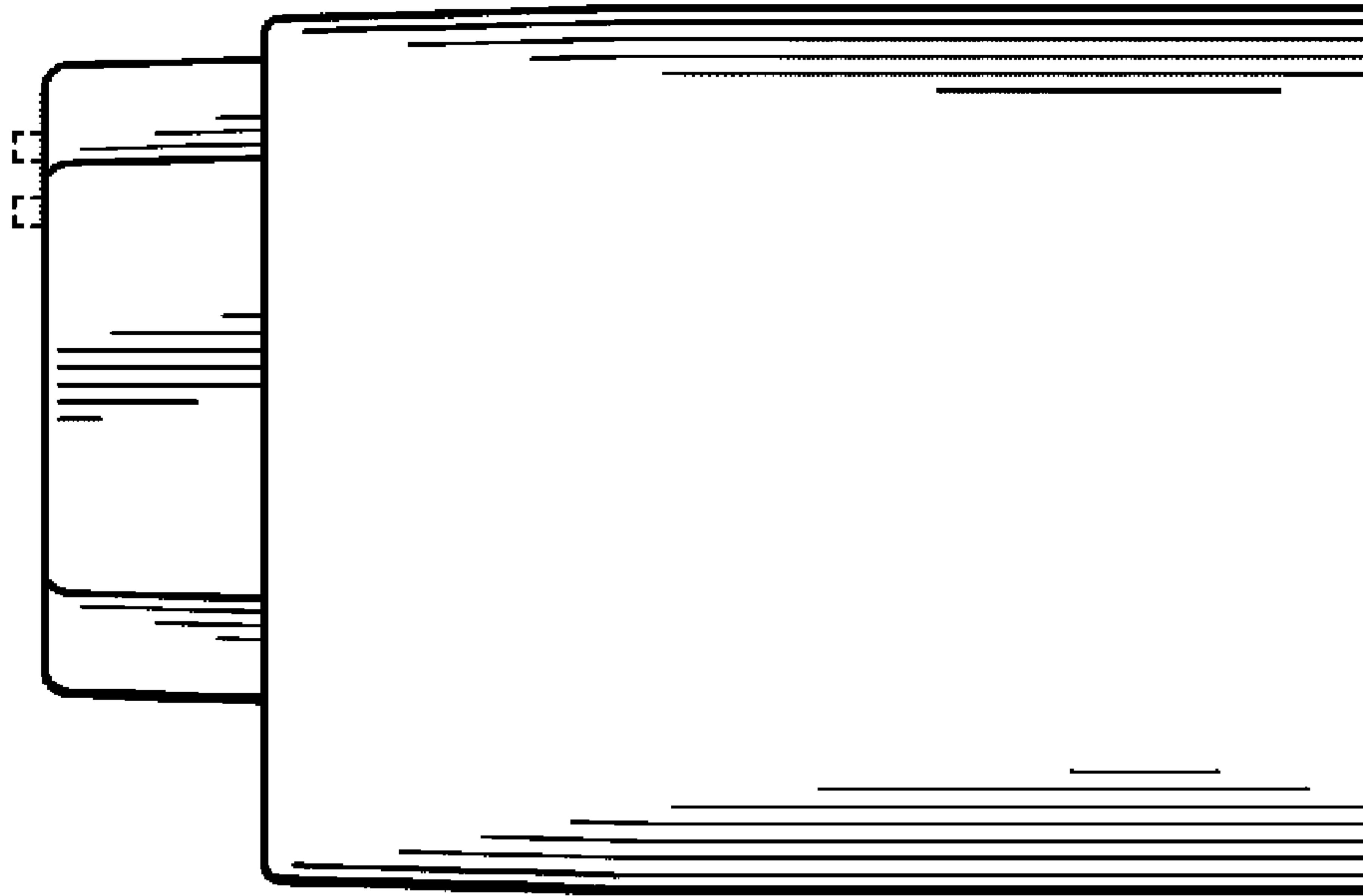


Figure 62

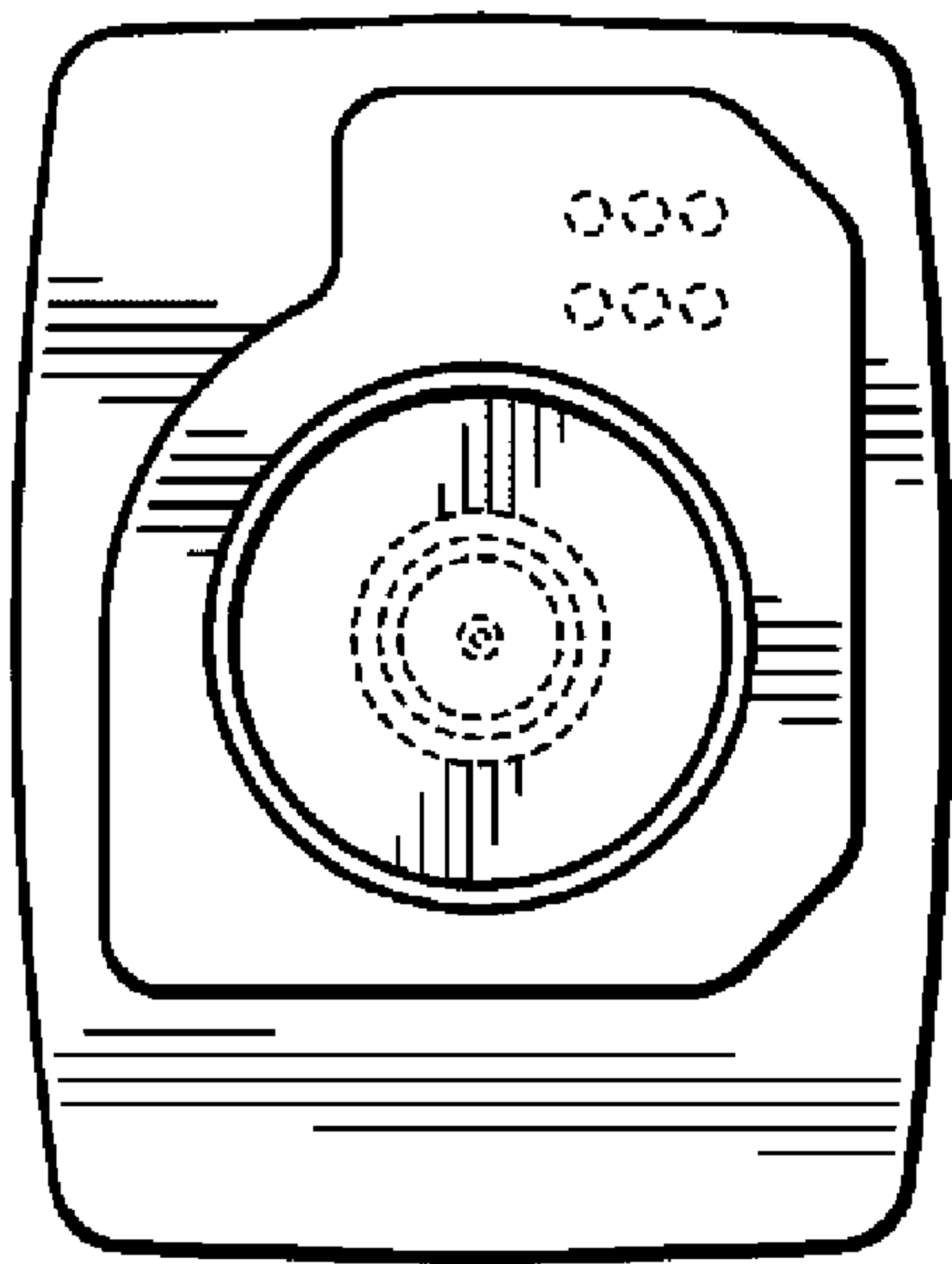


Figure 63

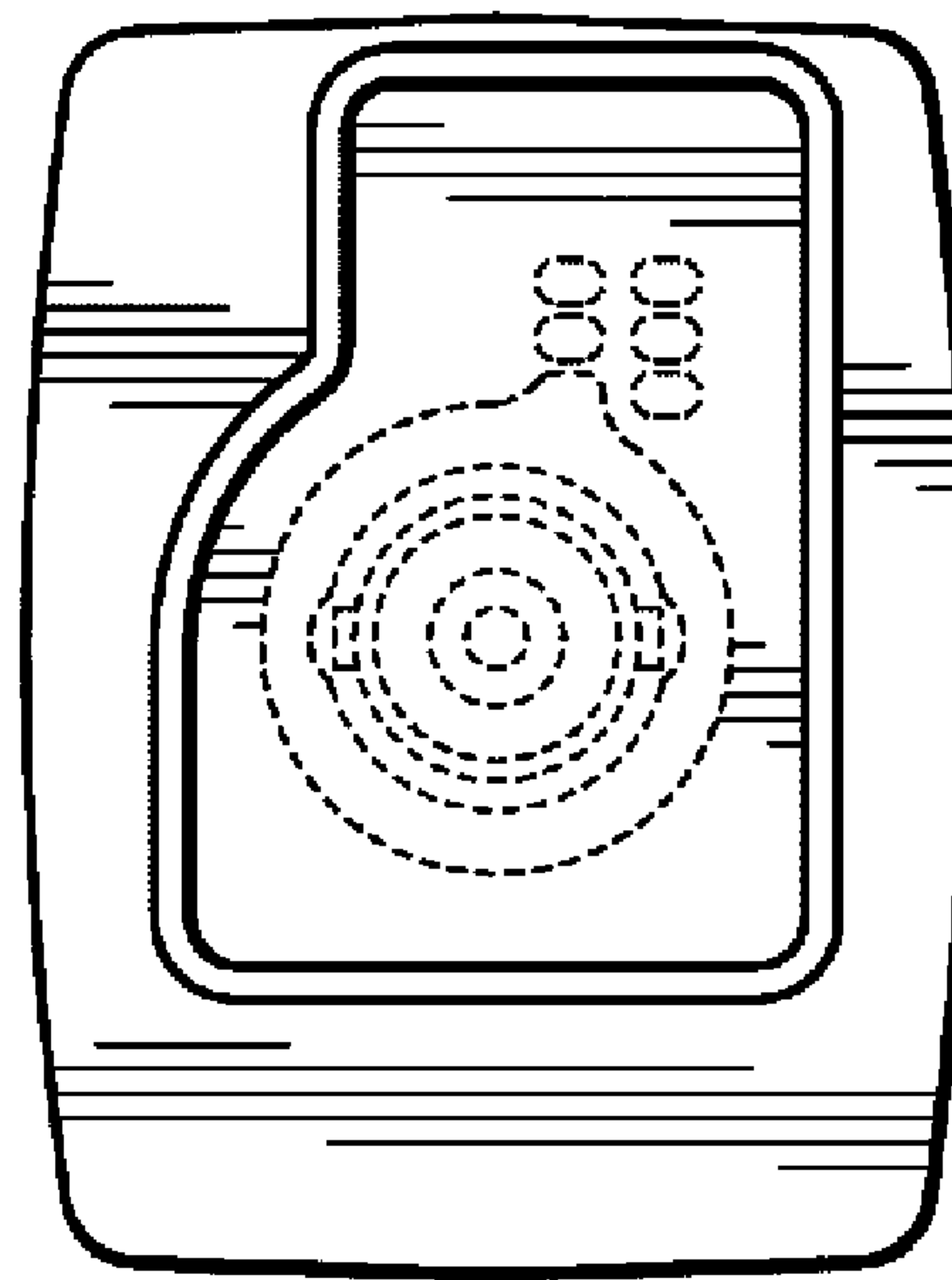


Figure 64

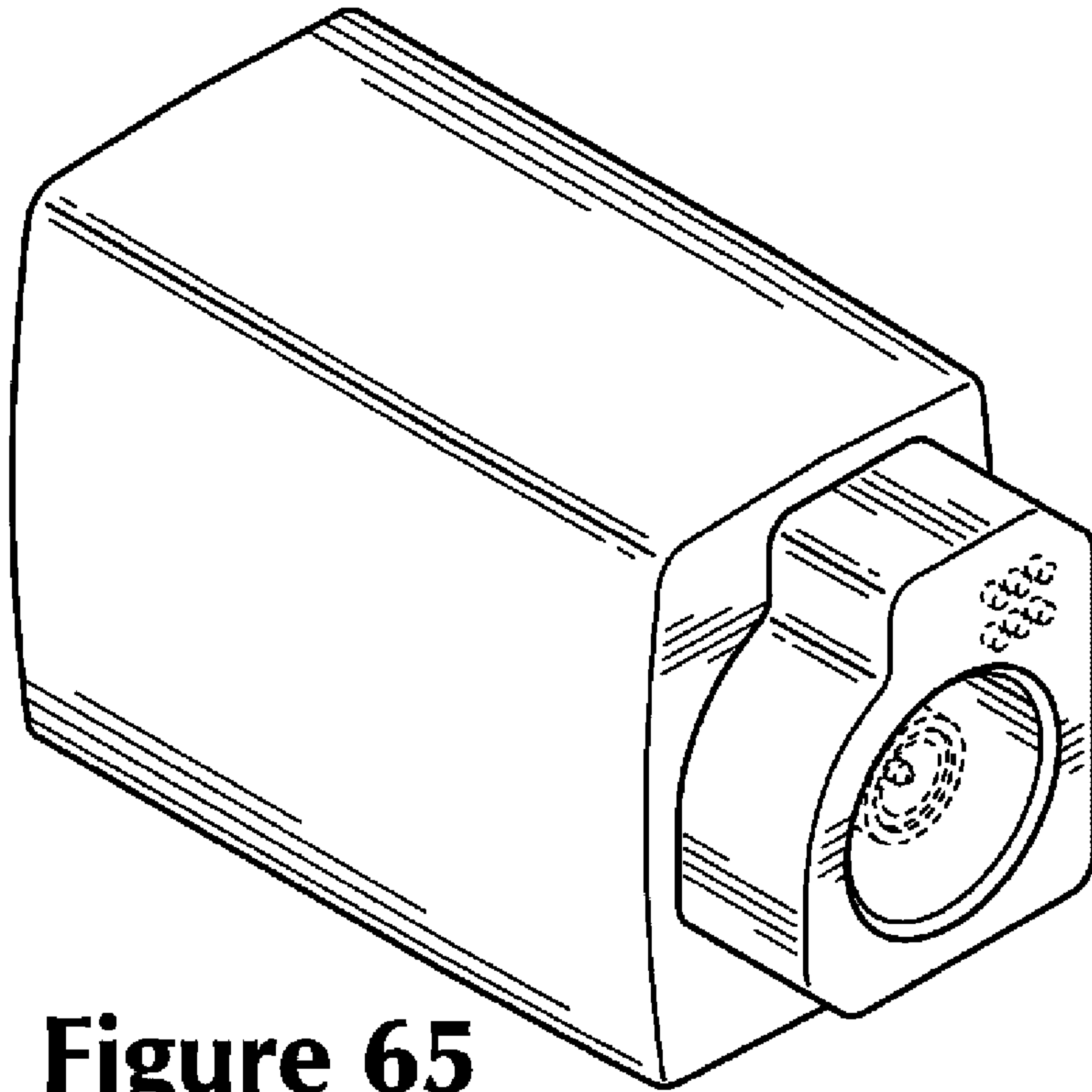


Figure 65

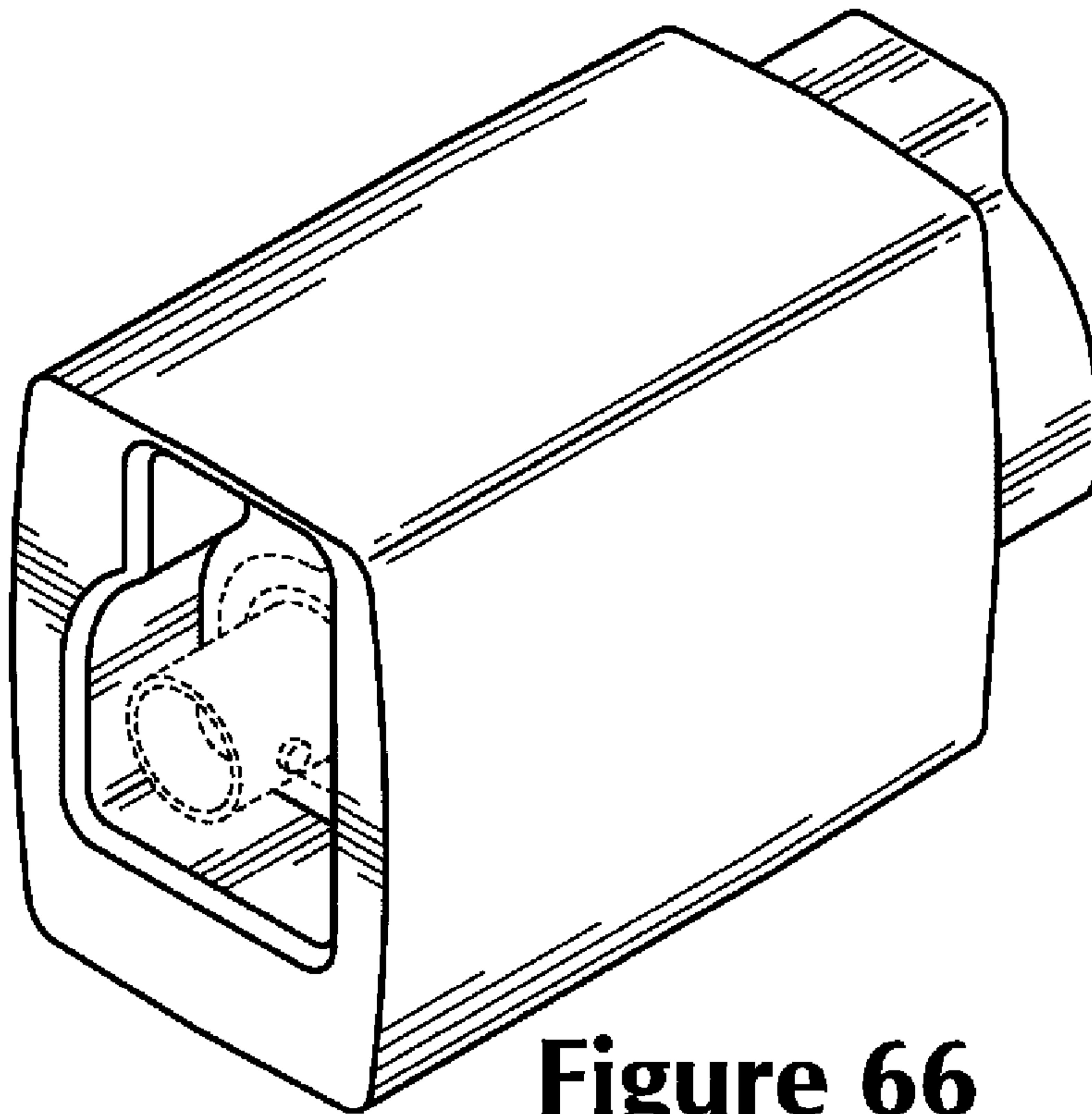


Figure 66

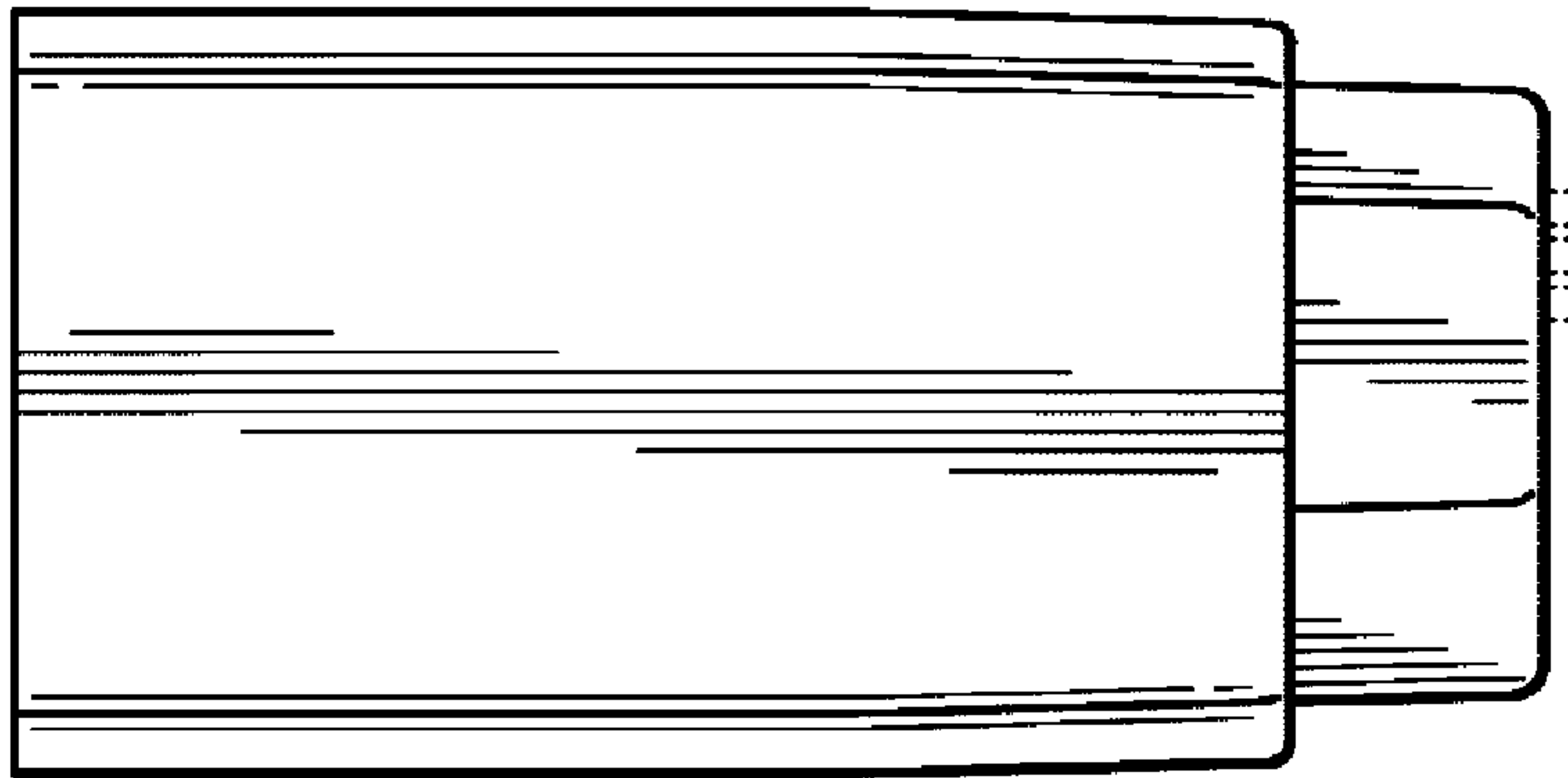


Figure 67

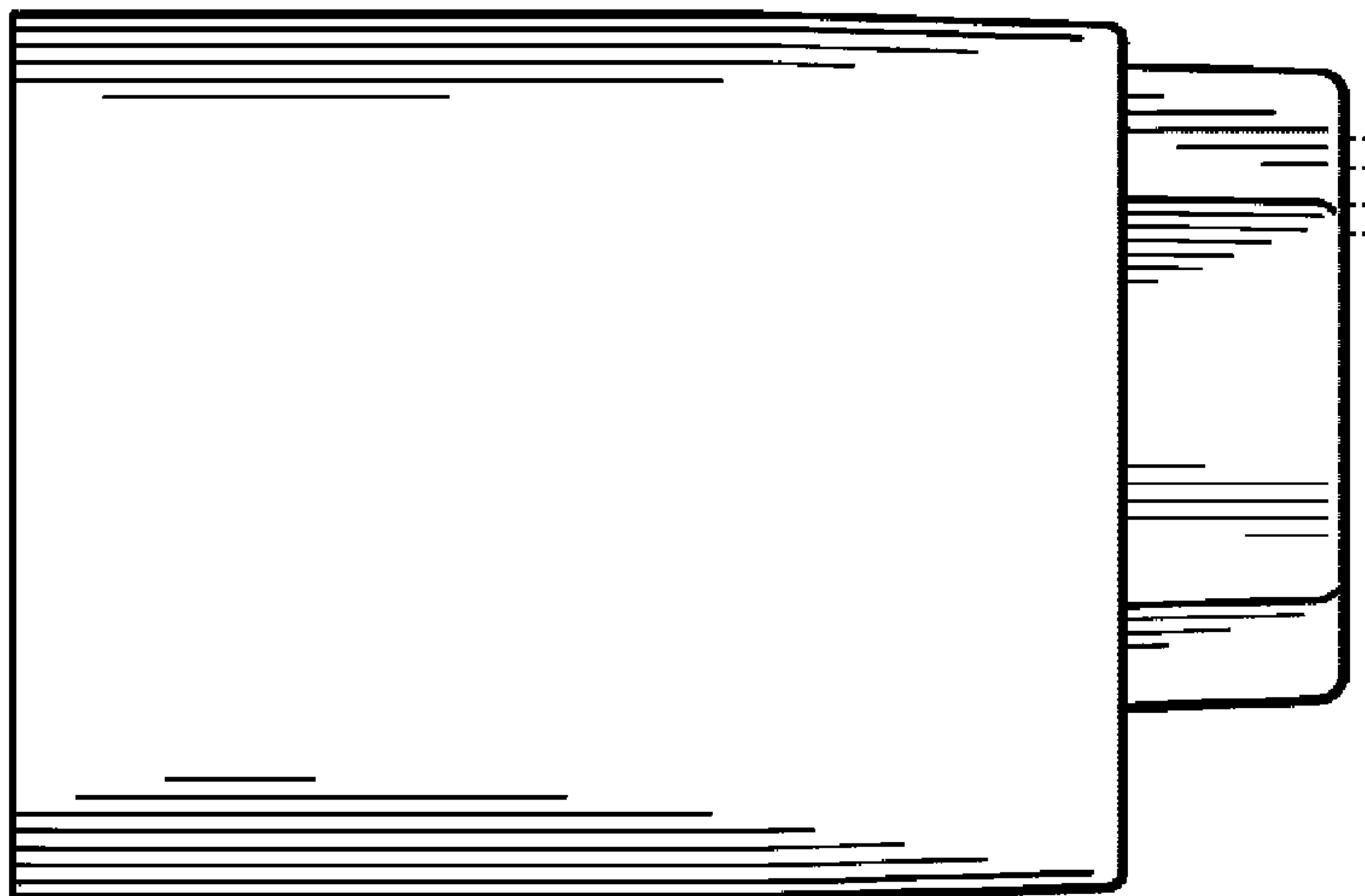


Figure 68

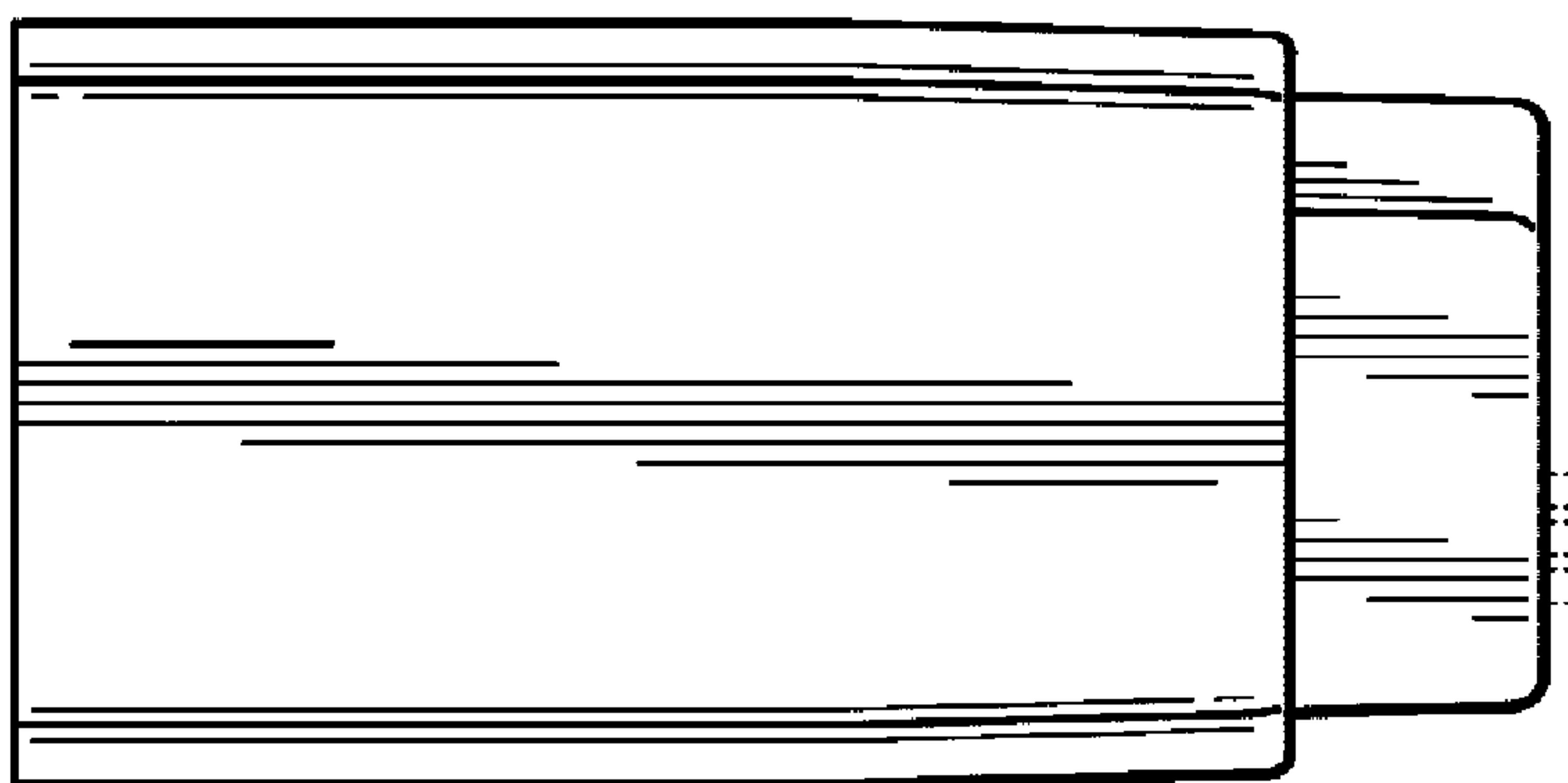


Figure 69

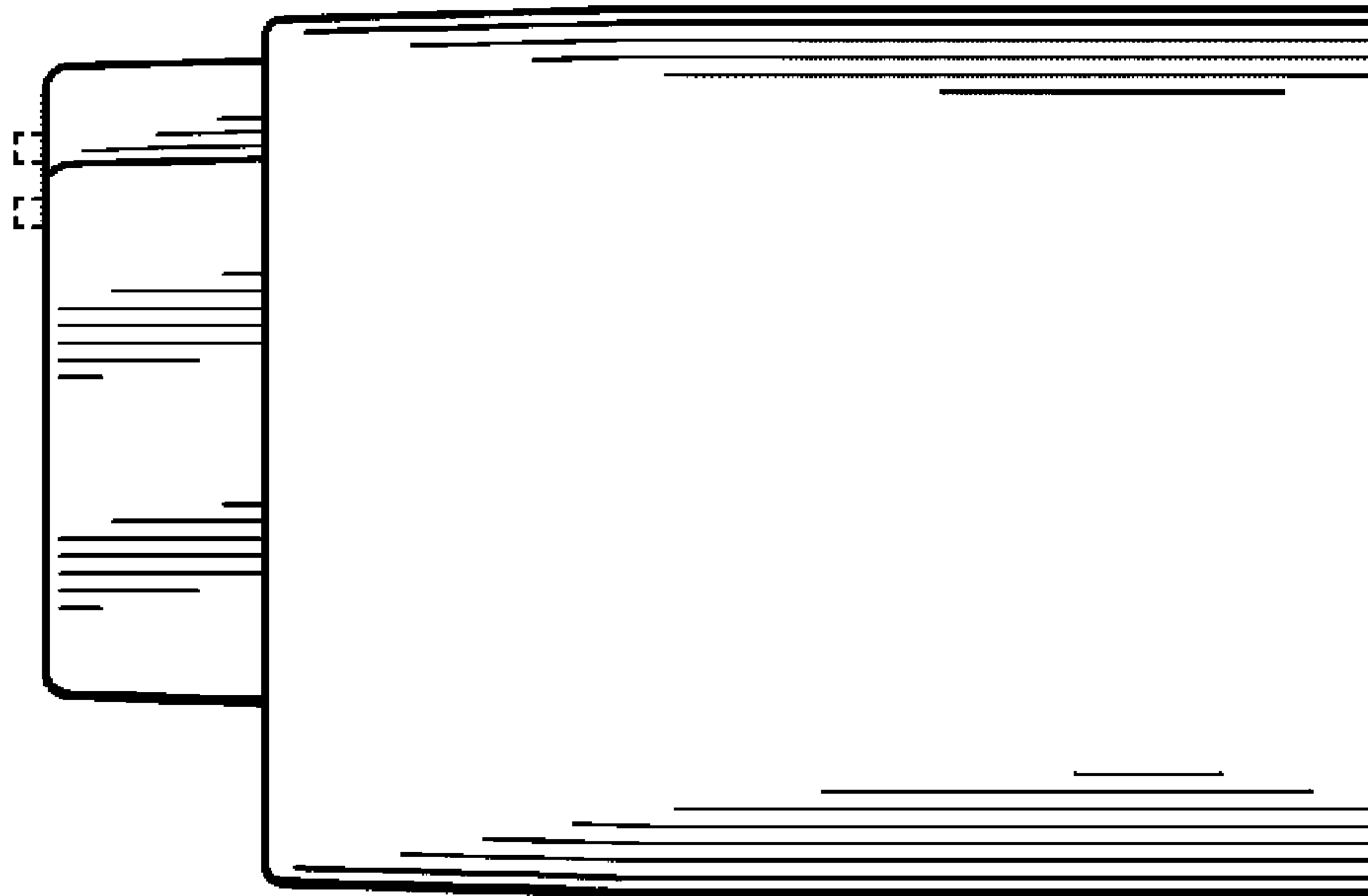


Figure 70

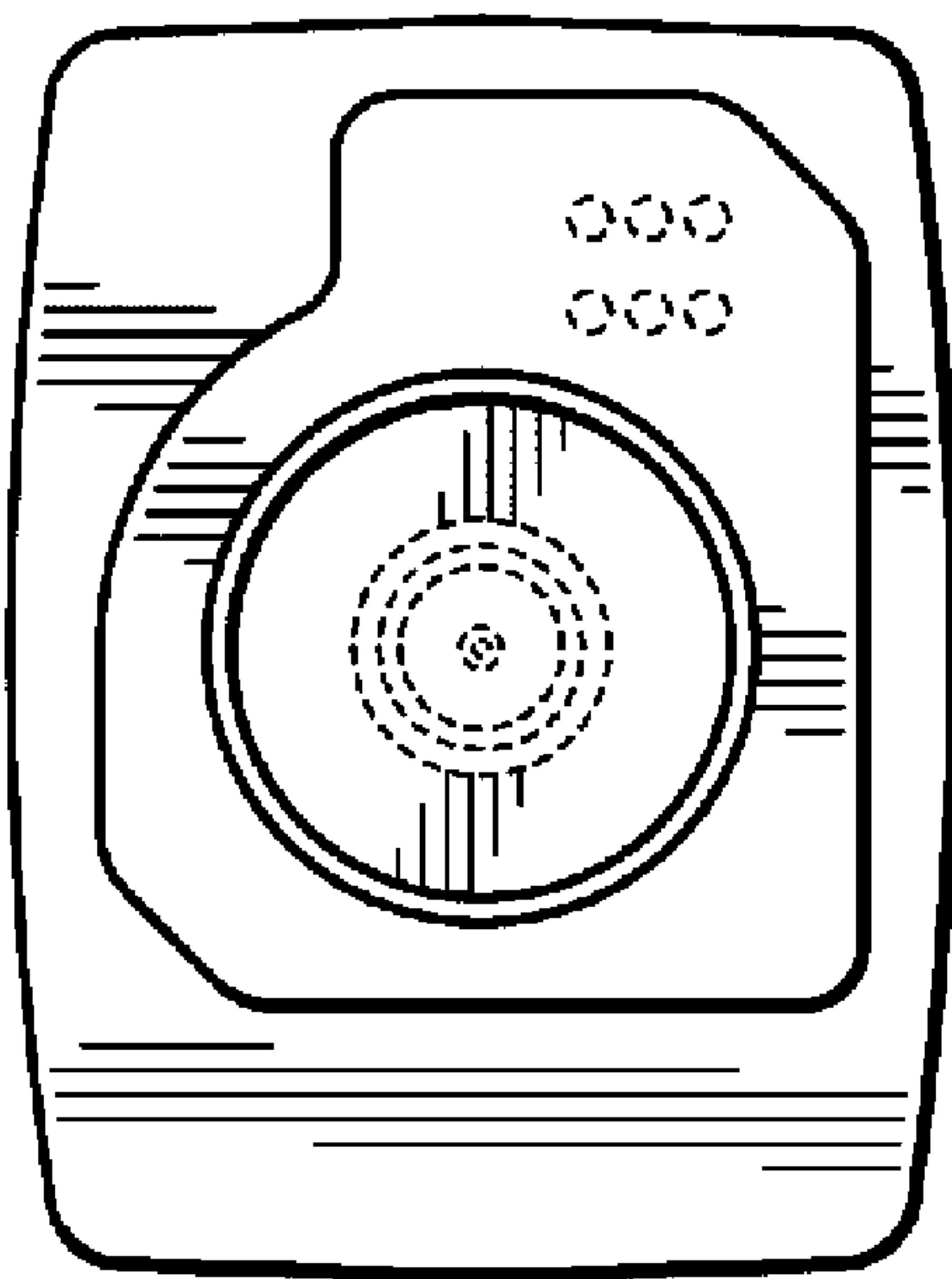


Figure 71

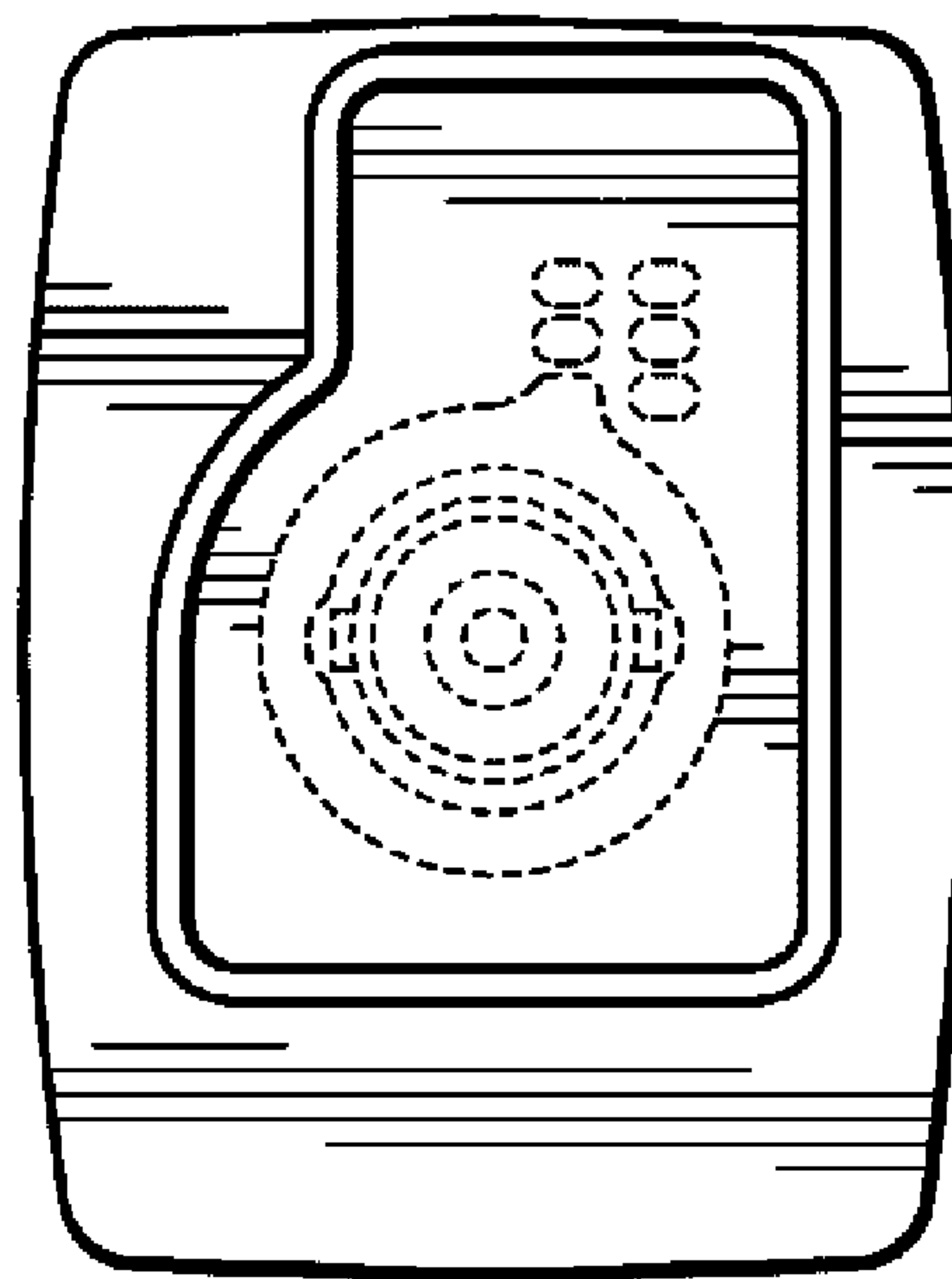


Figure 72

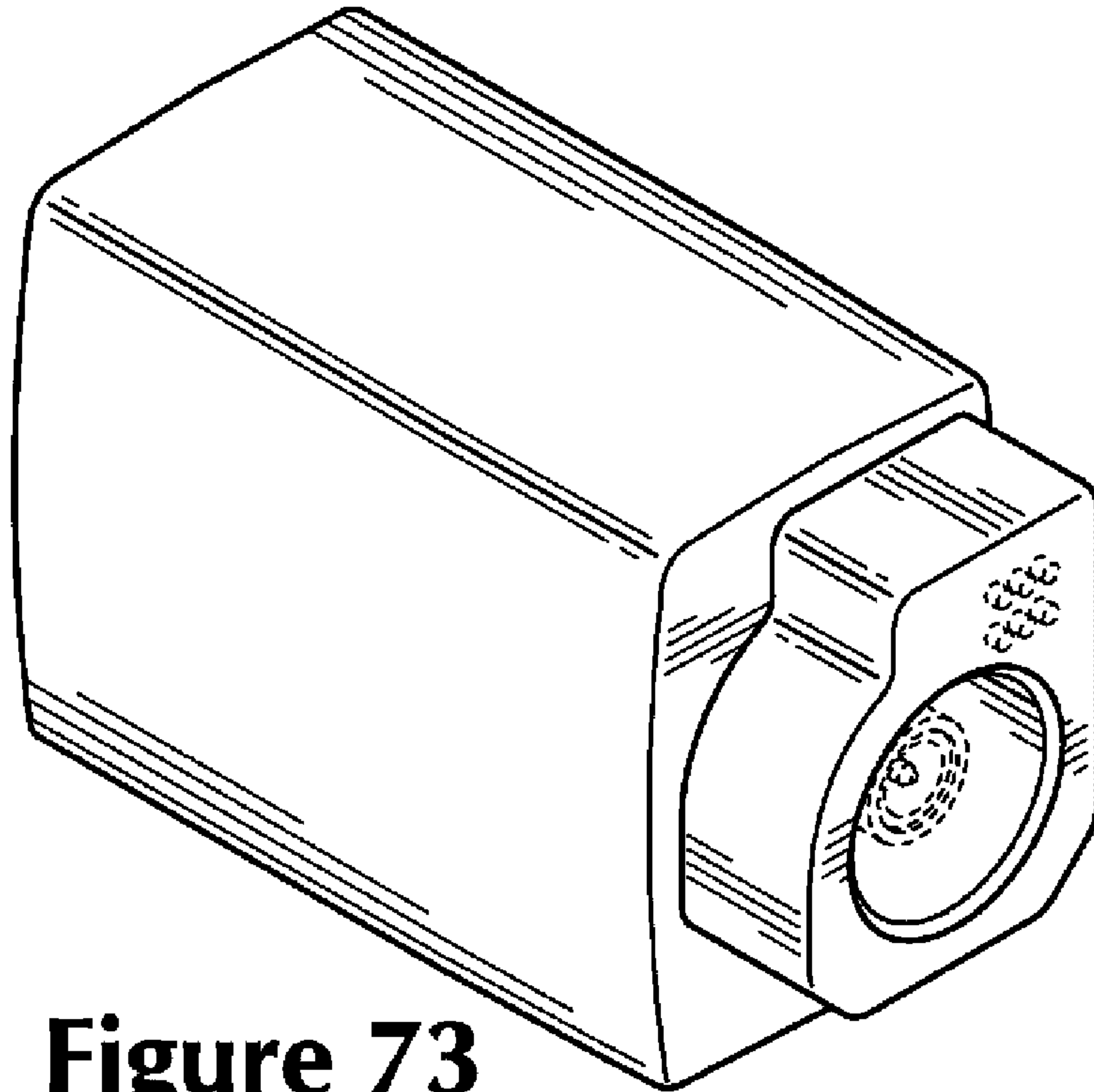


Figure 73

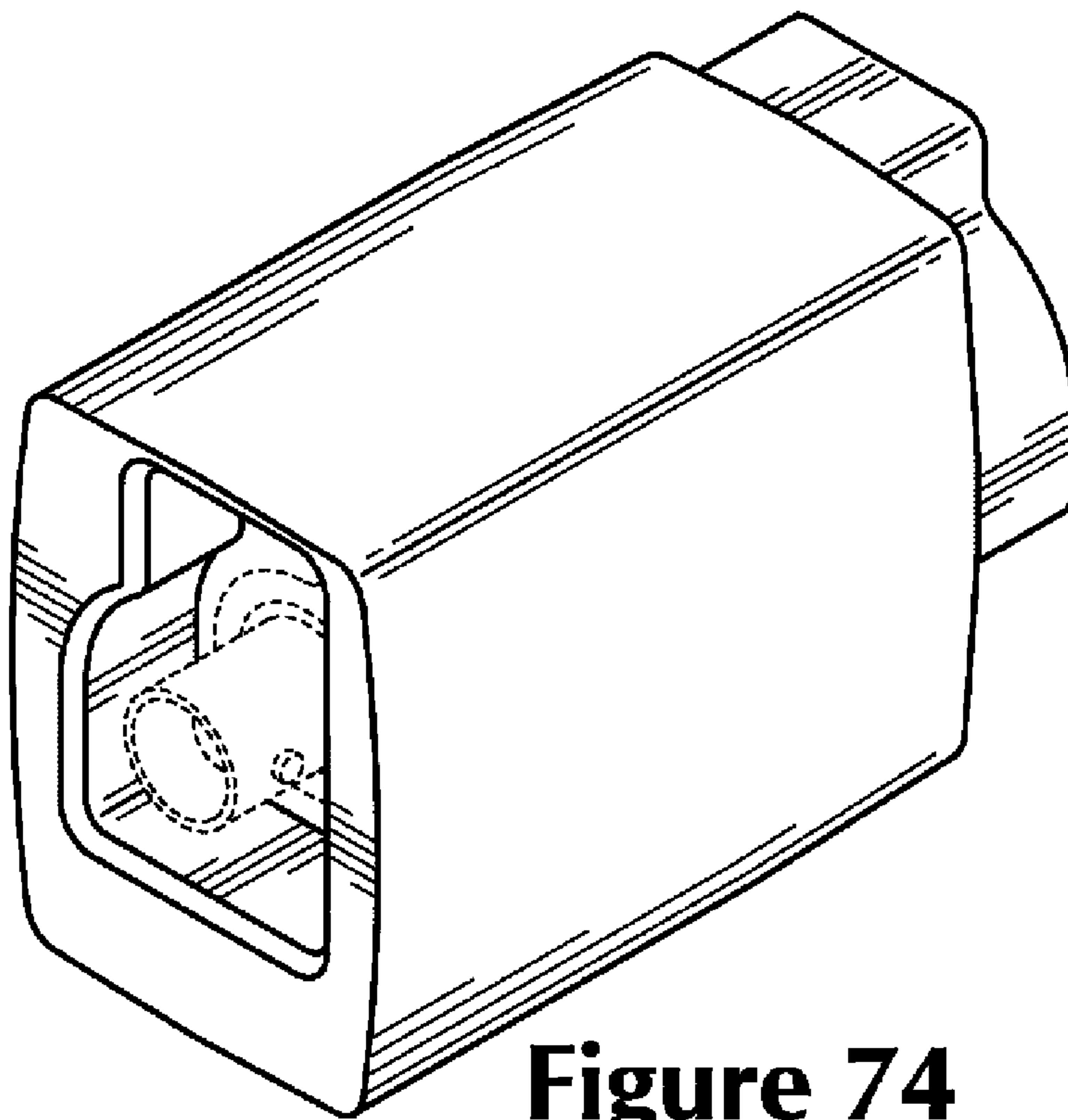


Figure 74

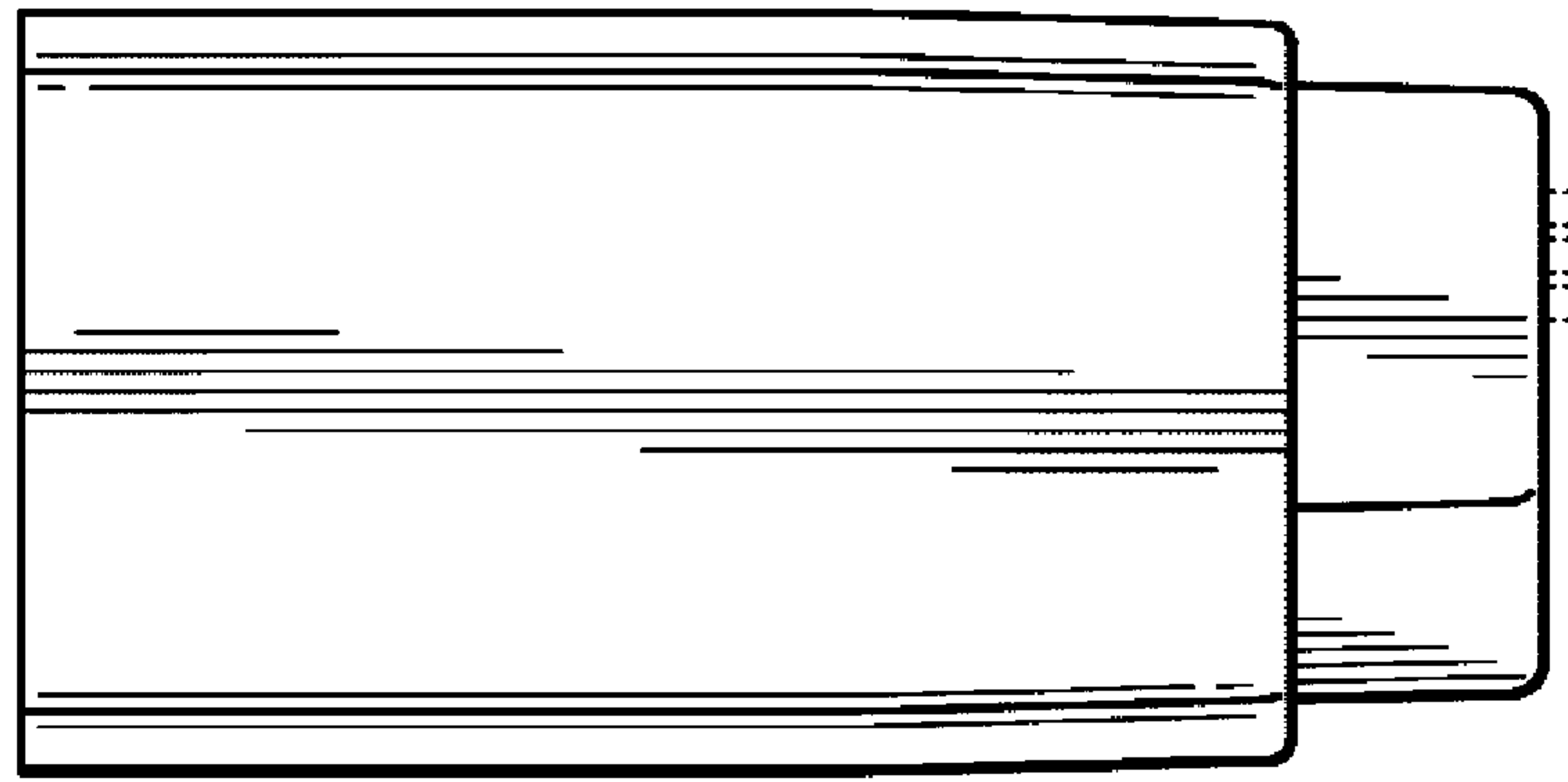


Figure 75

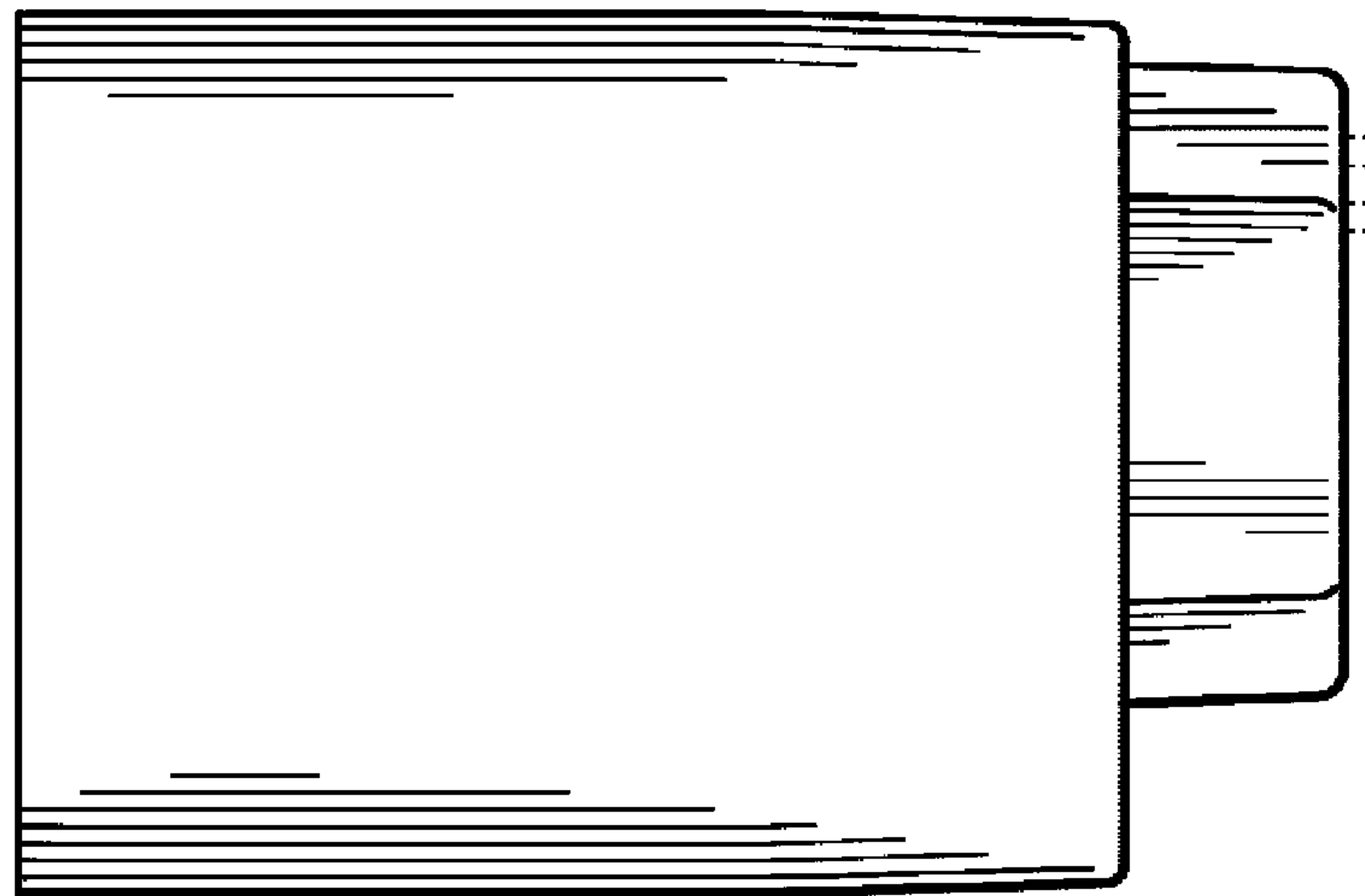


Figure 76

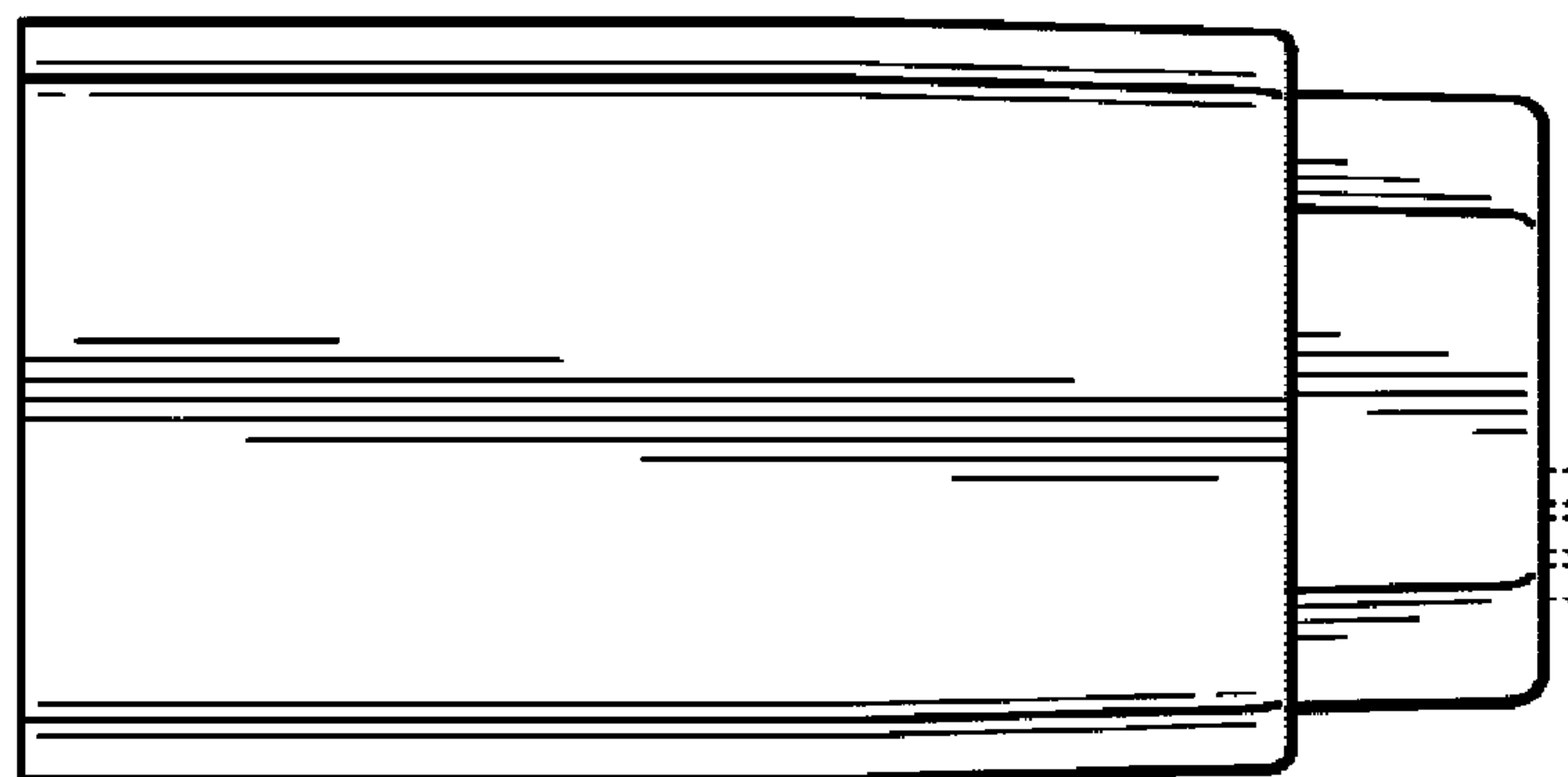


Figure 77

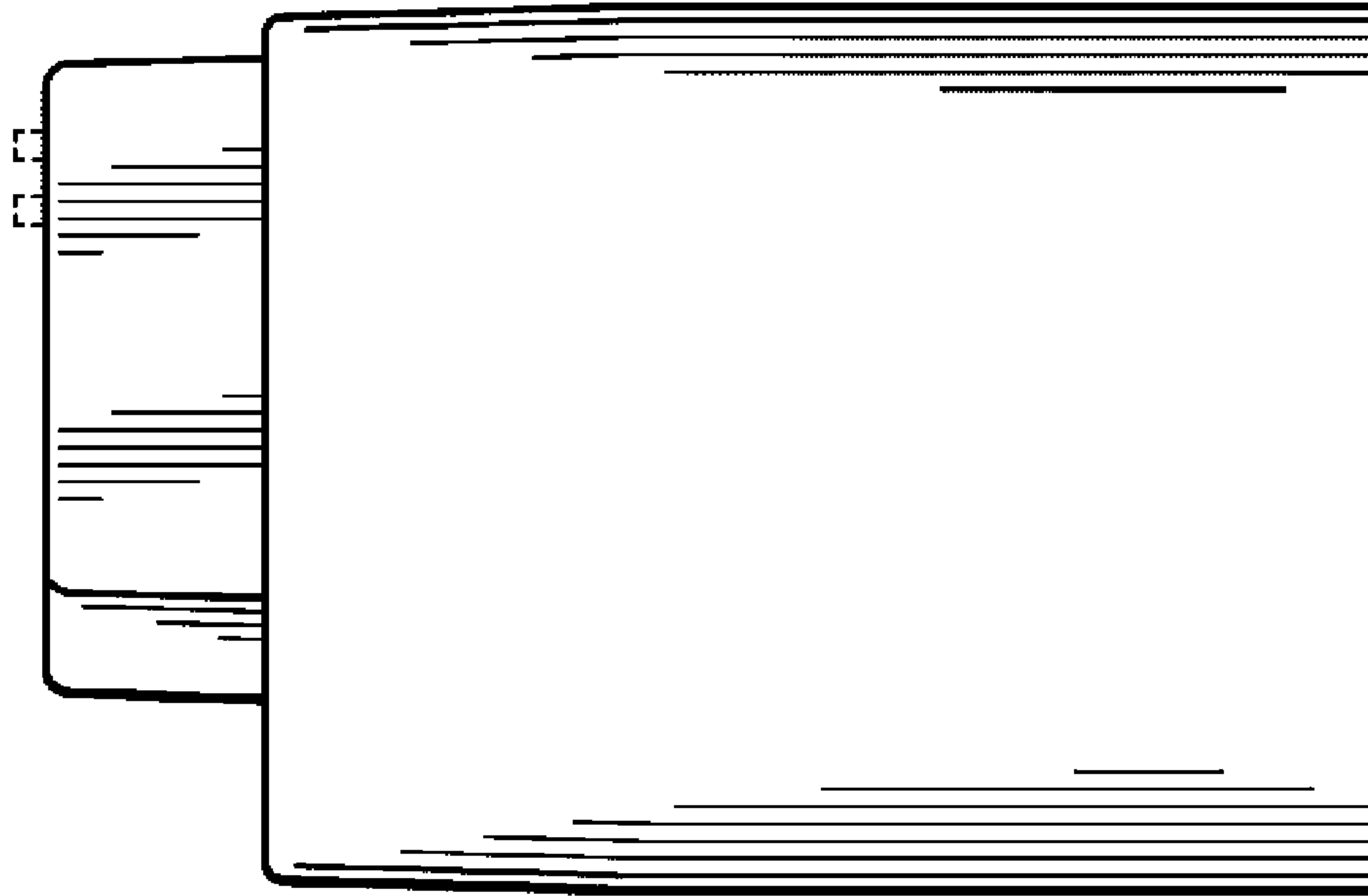


Figure 78

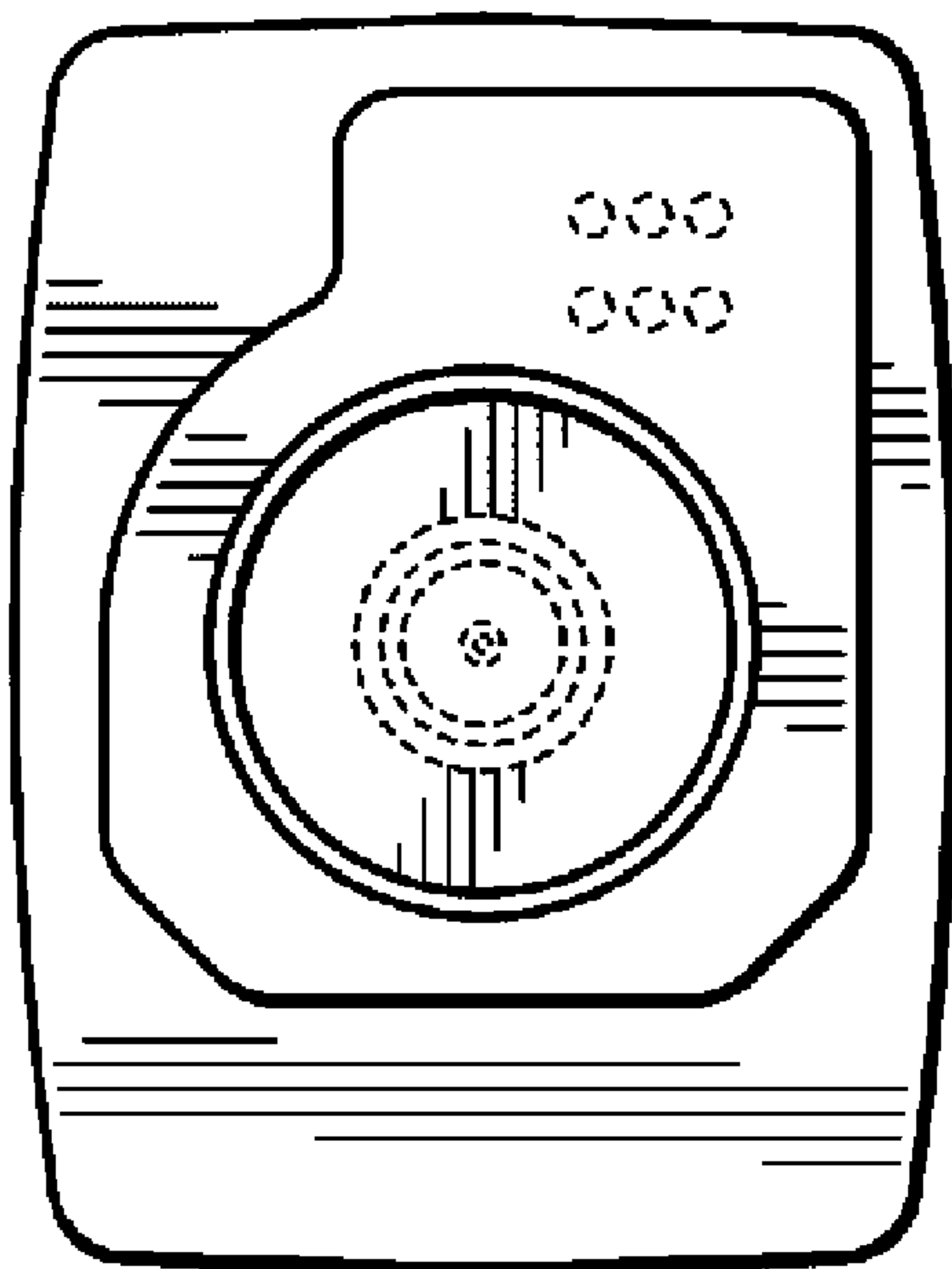


Figure 79

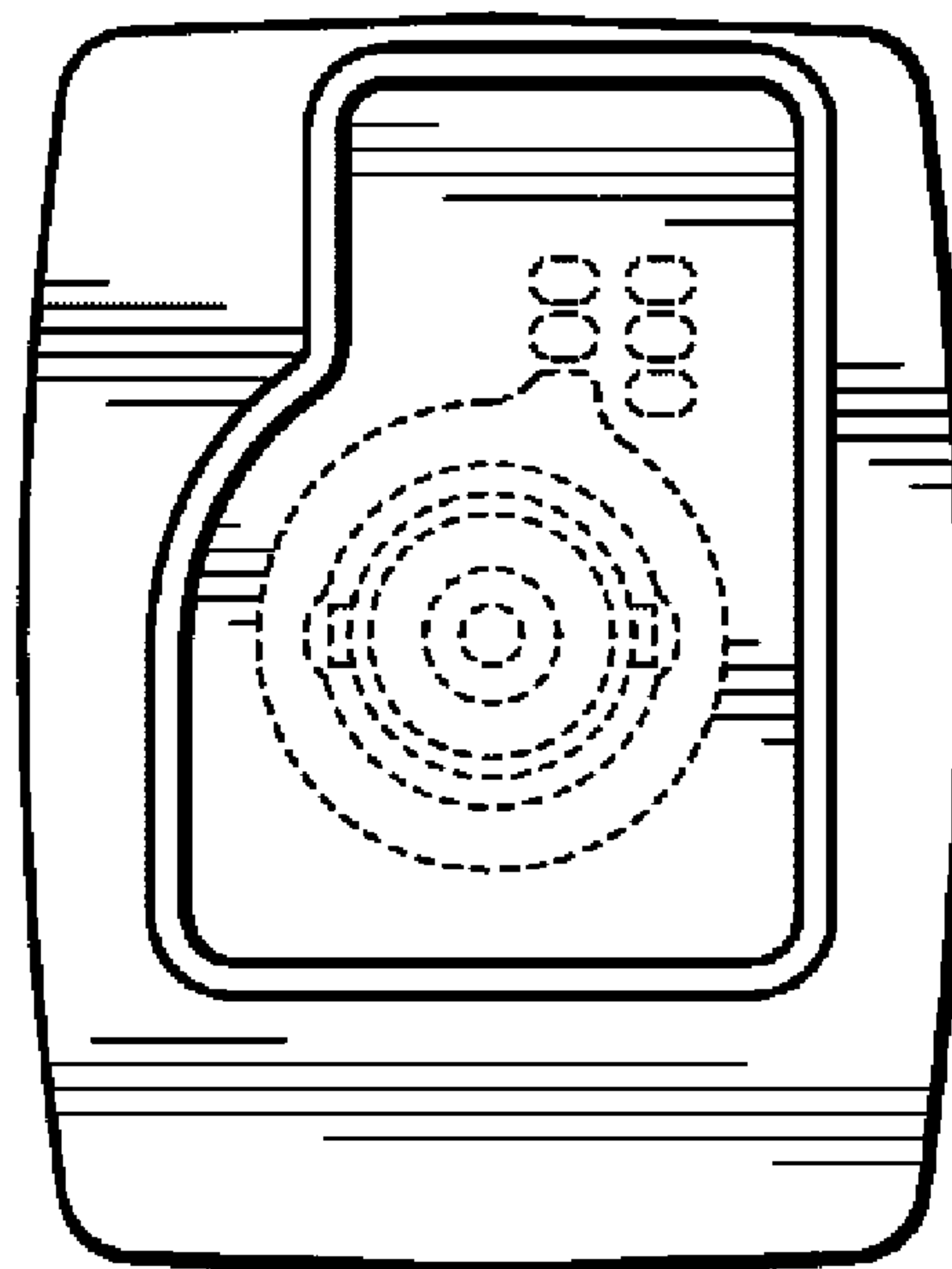


Figure 80

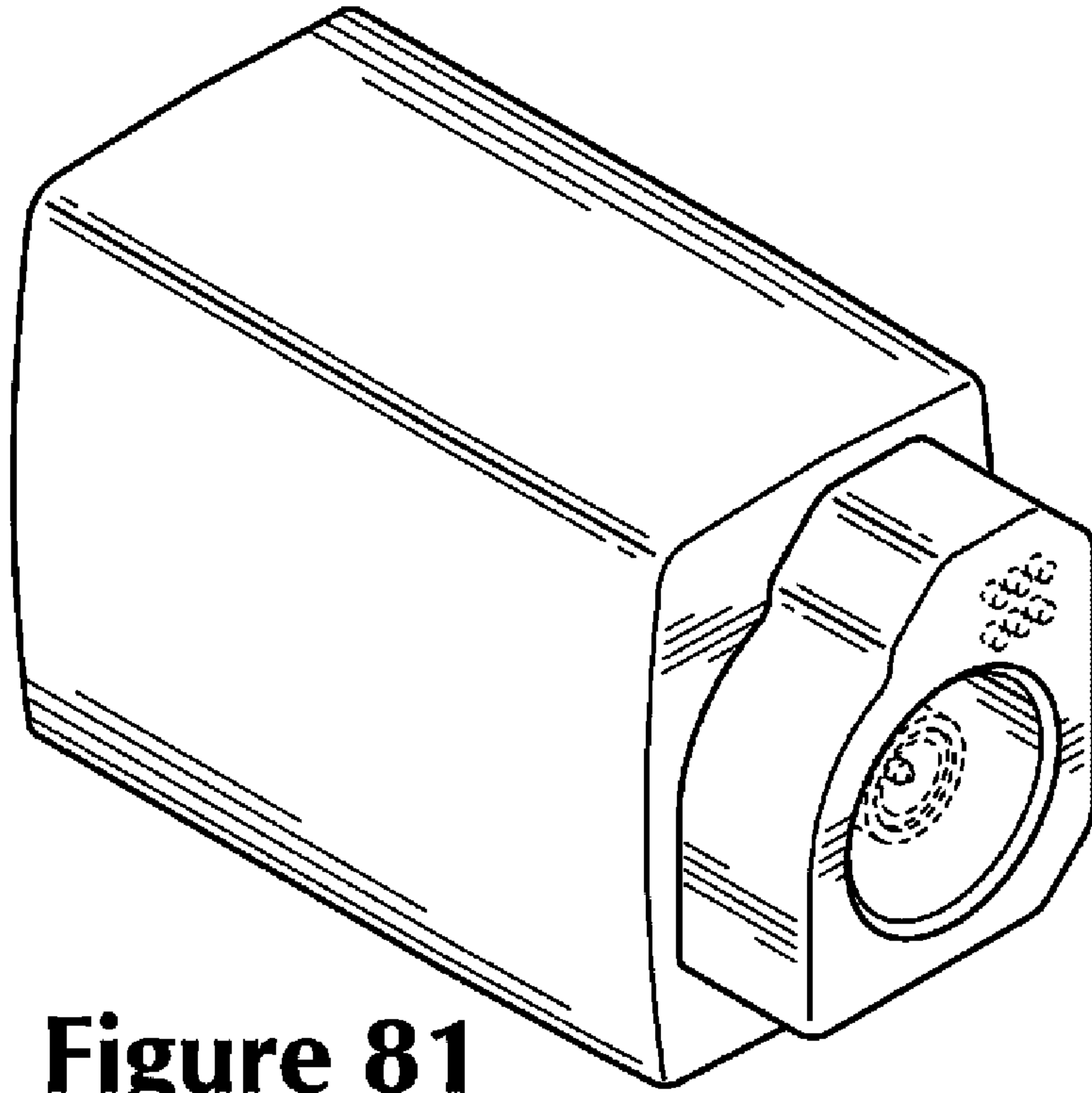


Figure 81

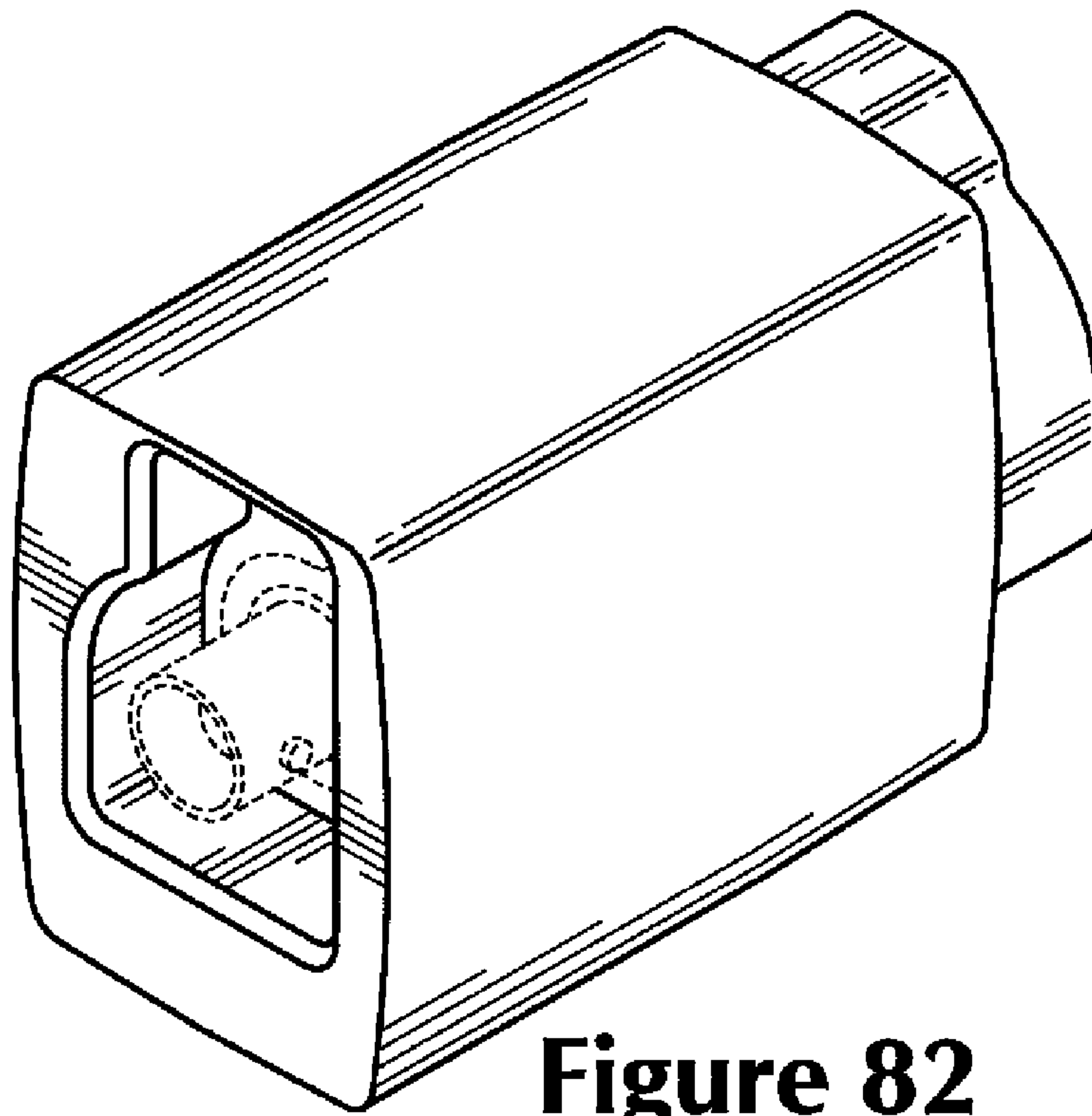


Figure 82

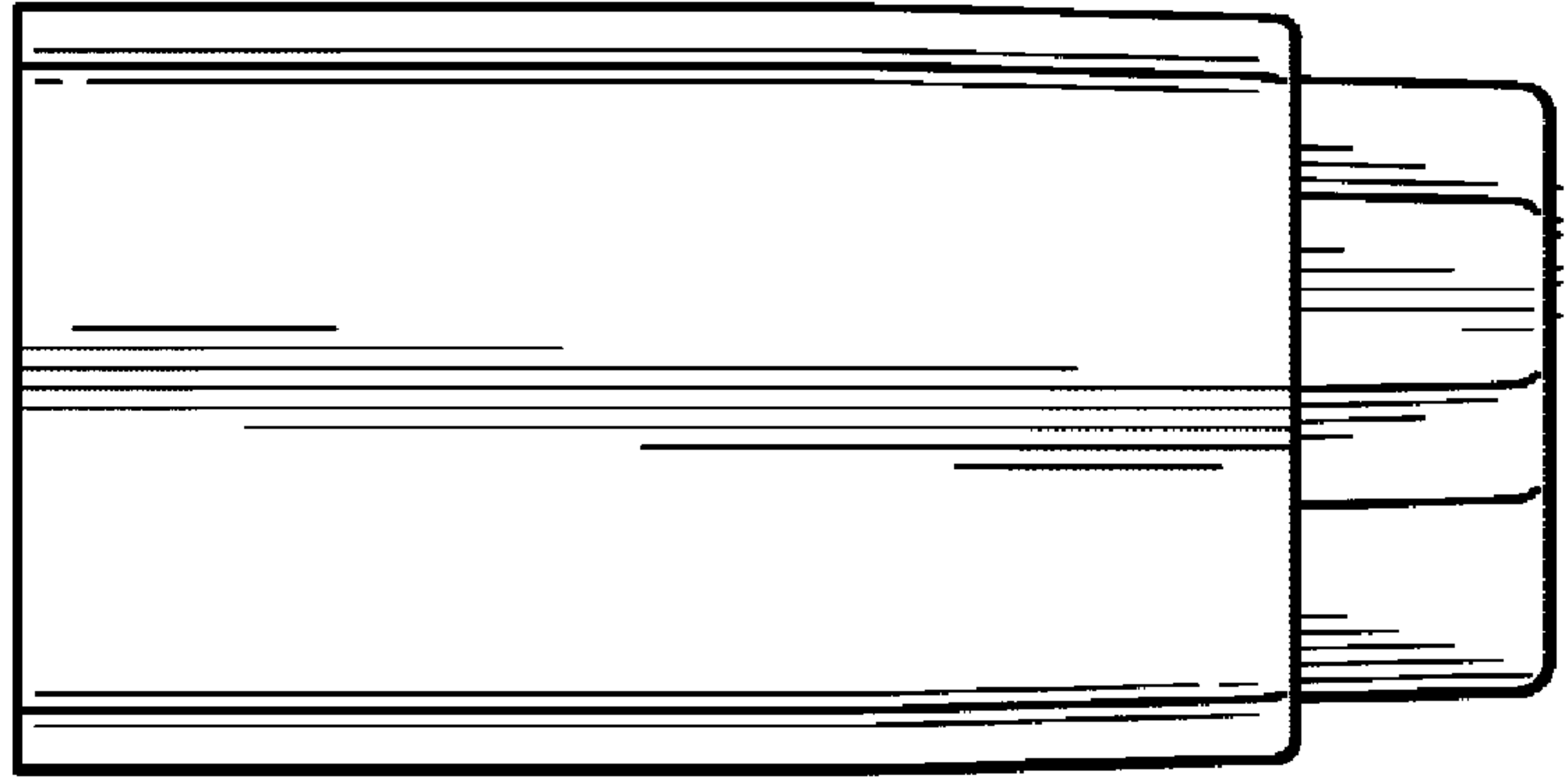


Figure 83

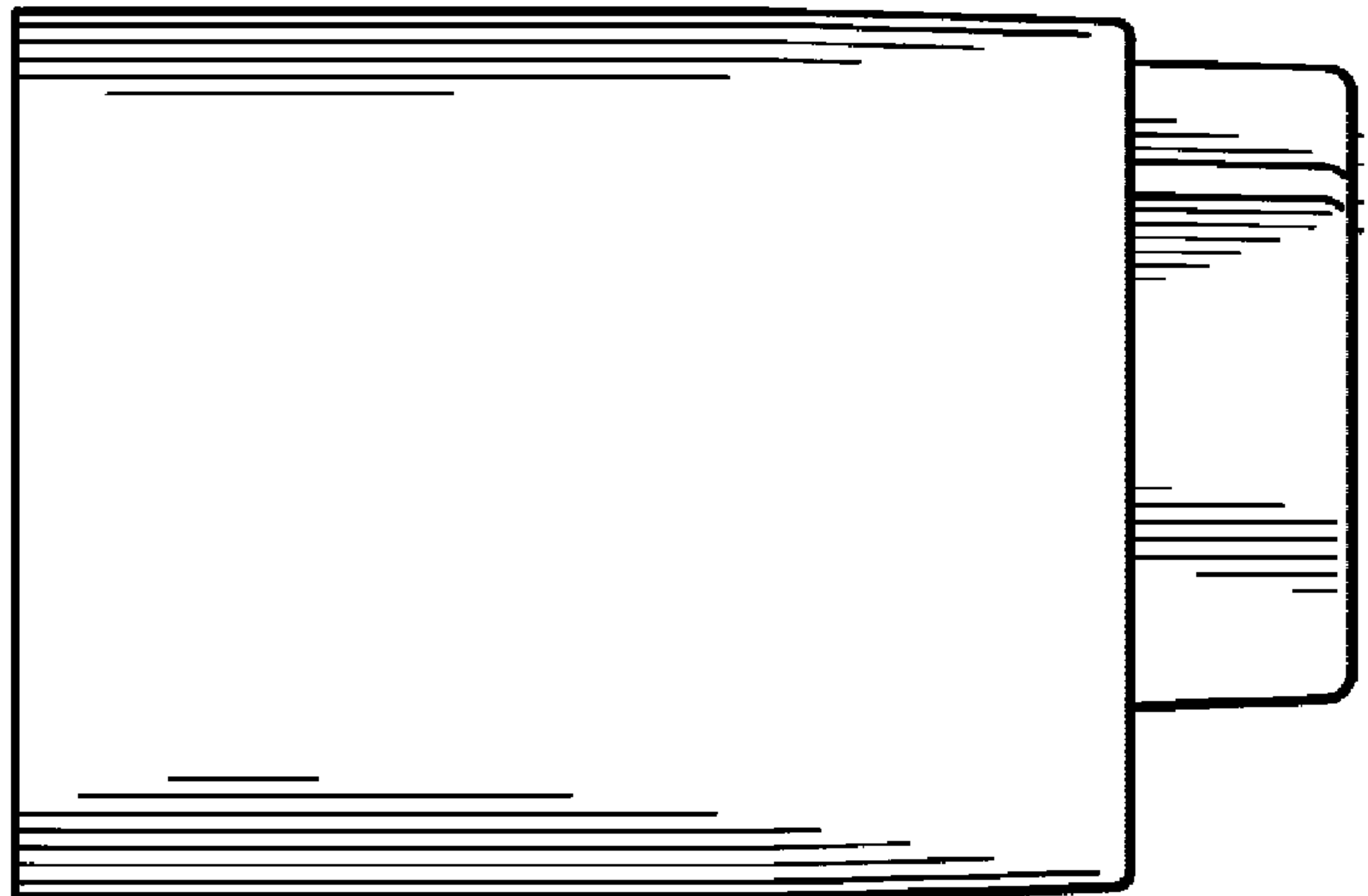


Figure 84

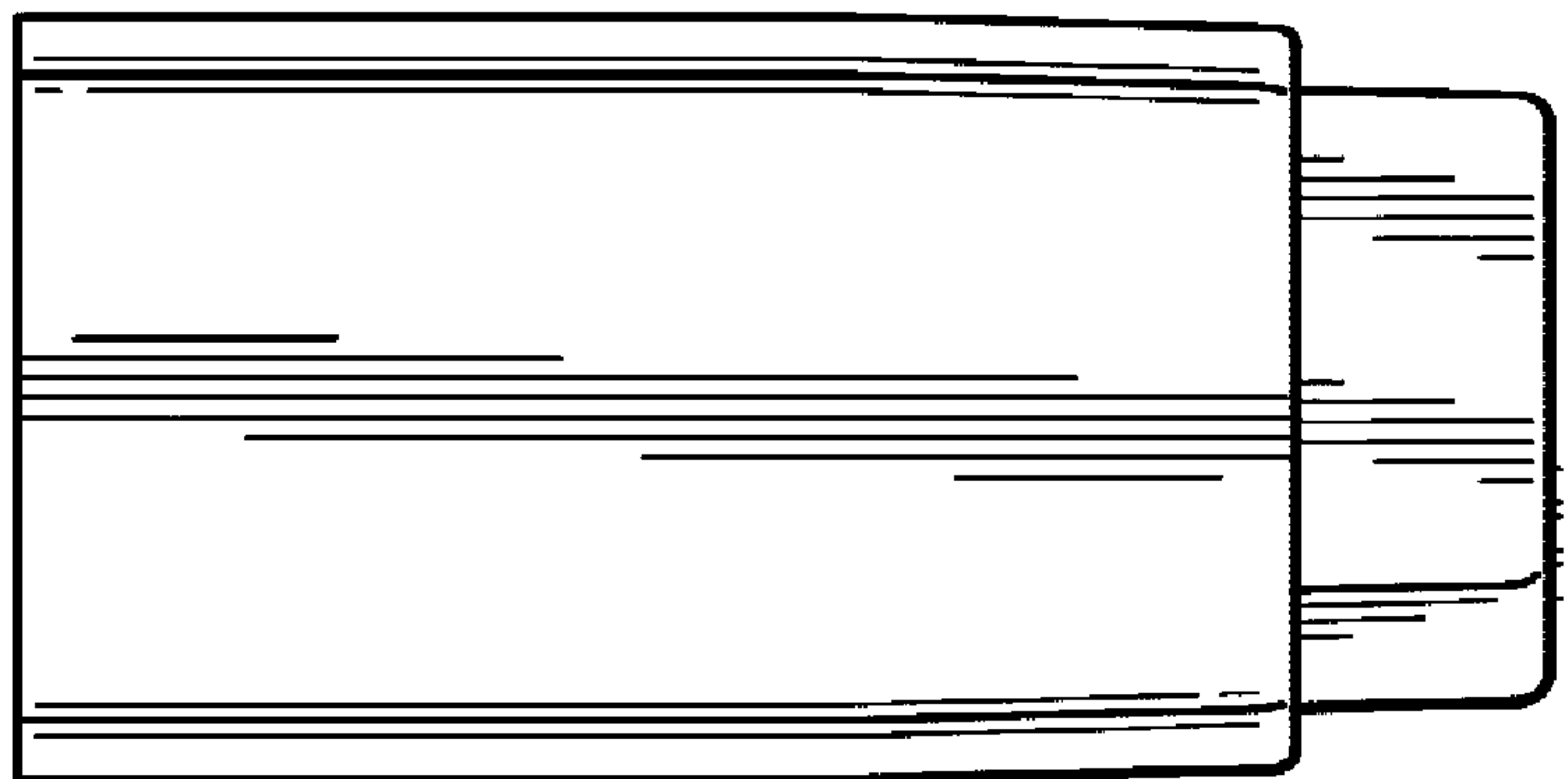


Figure 85

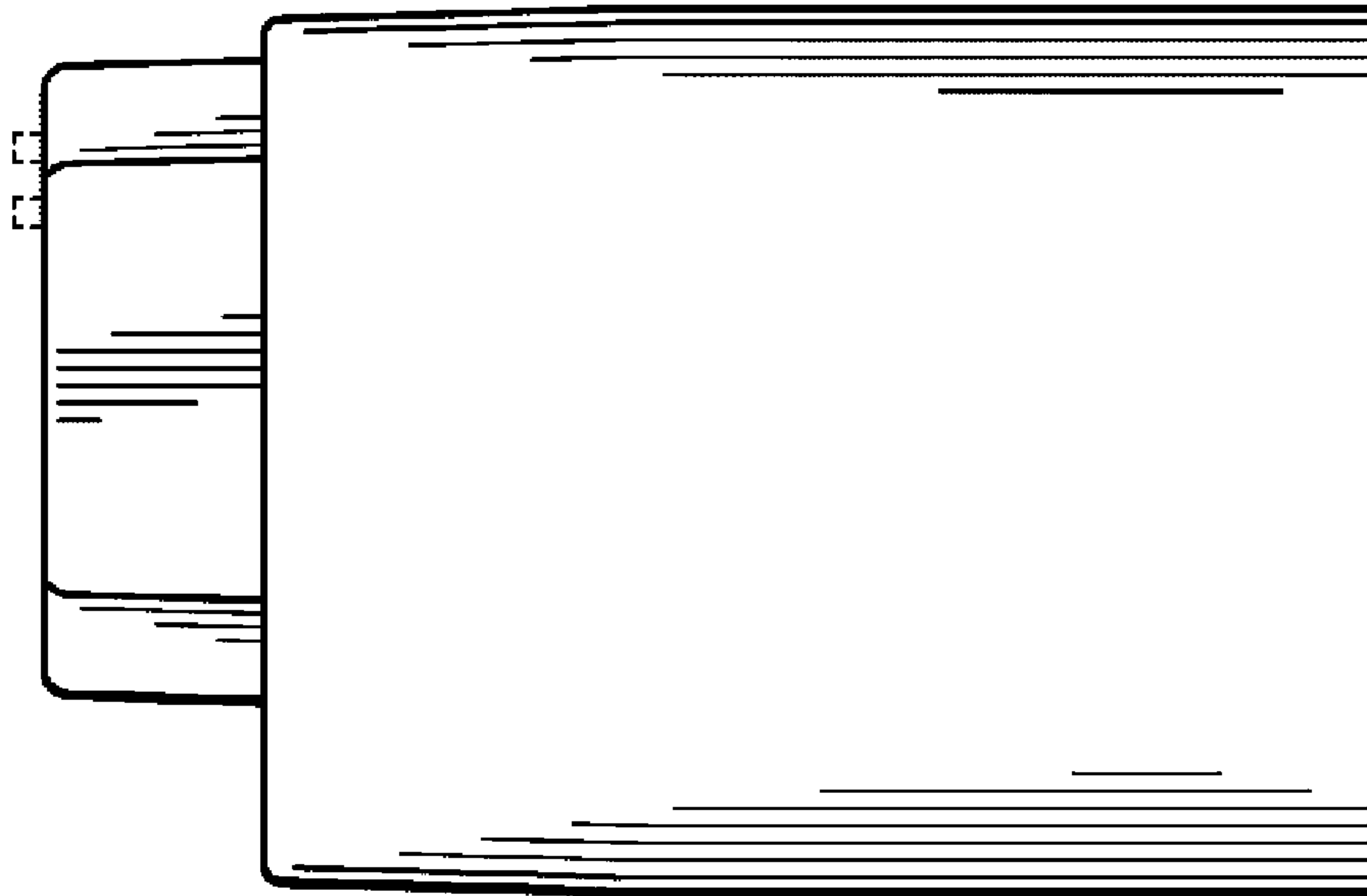


Figure 86

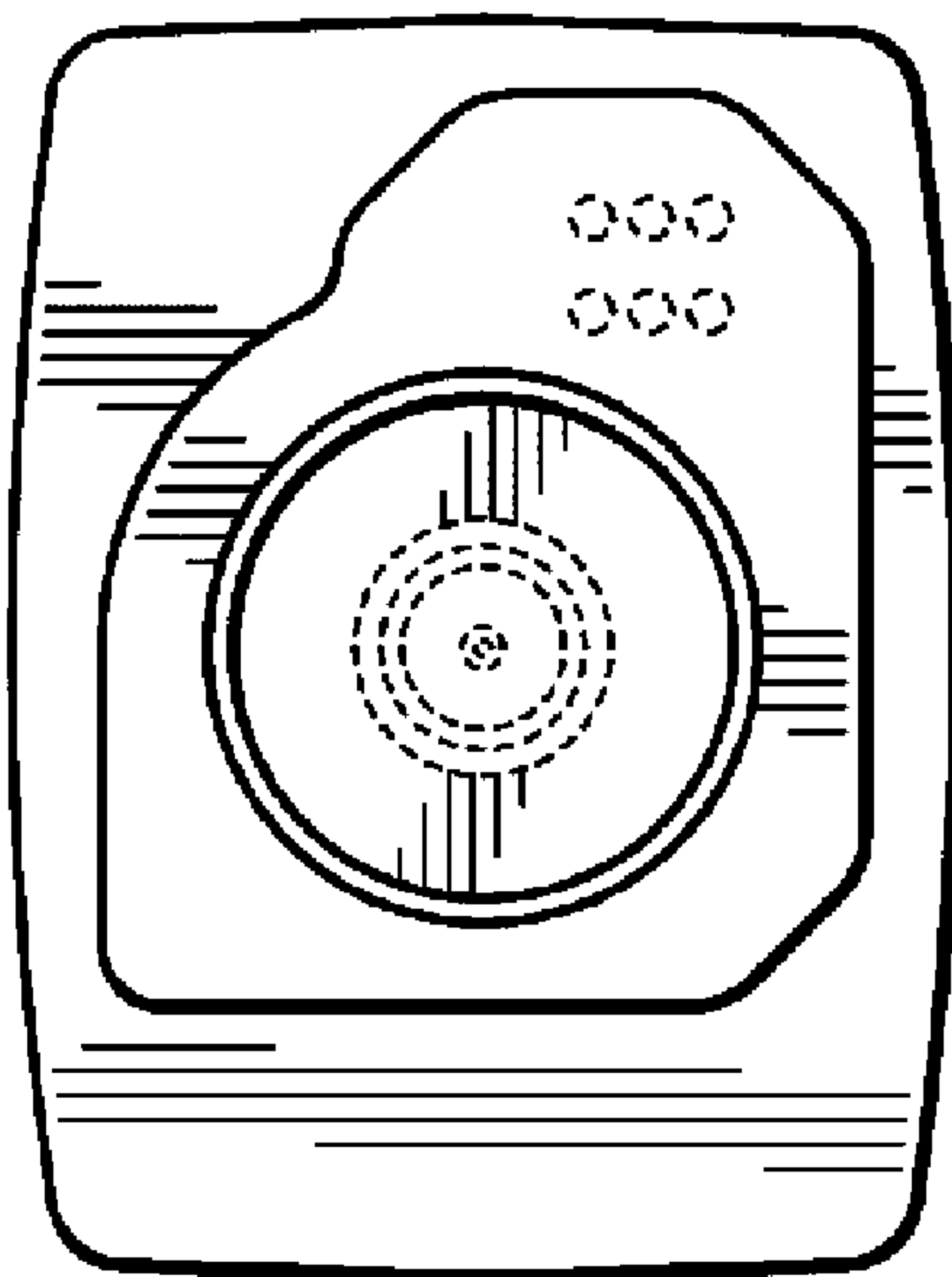


Figure 87

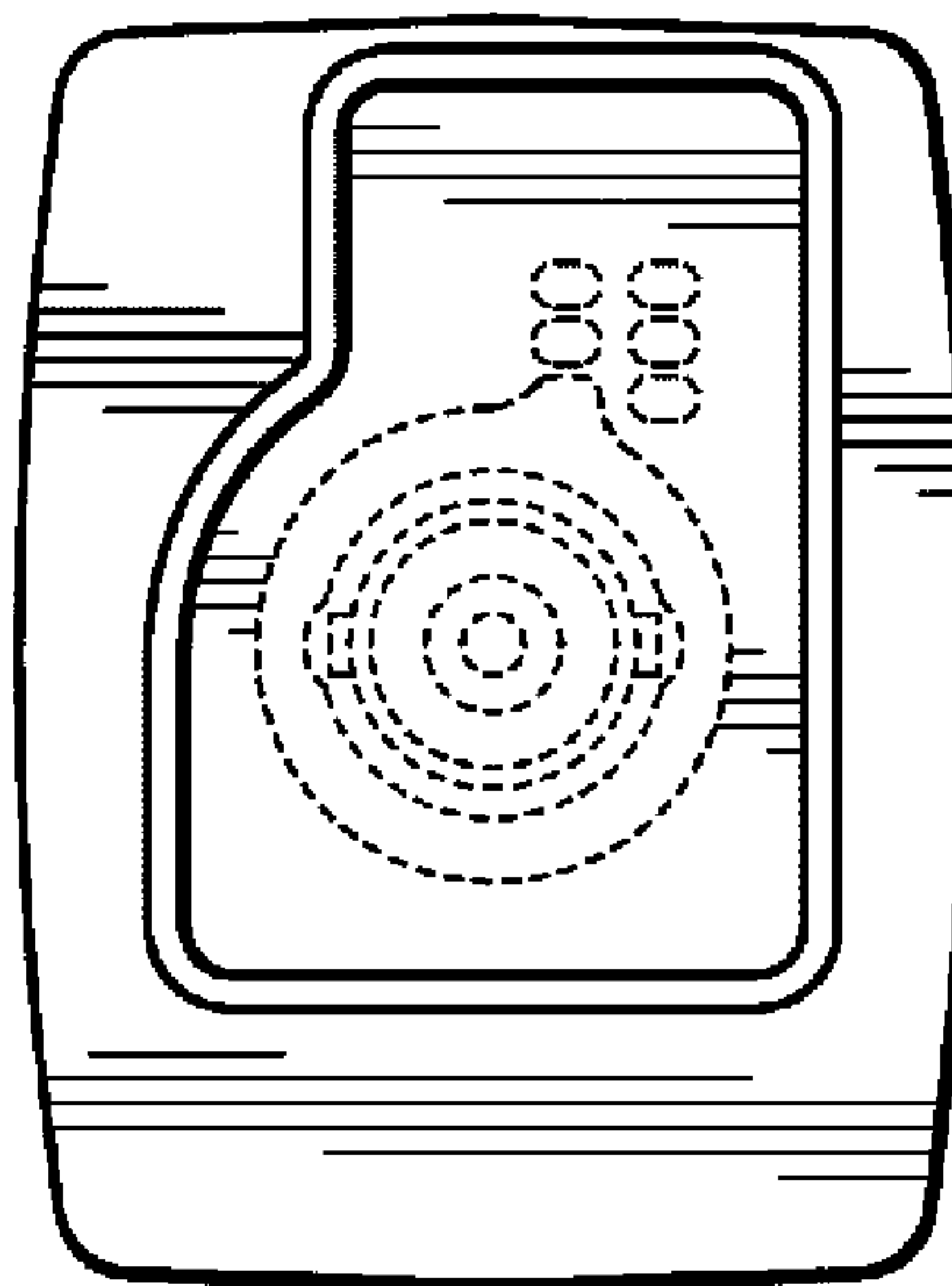


Figure 88

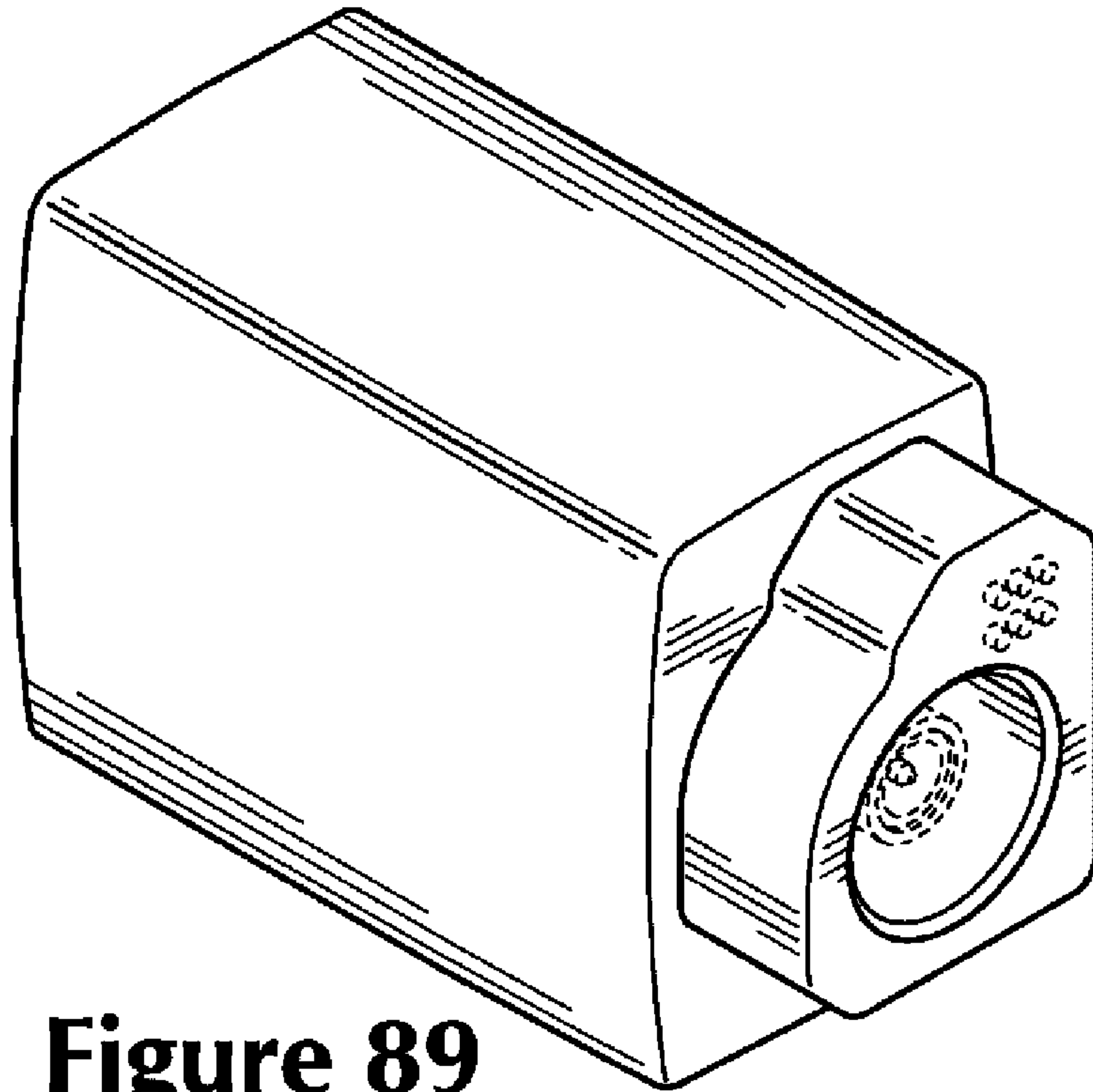


Figure 89

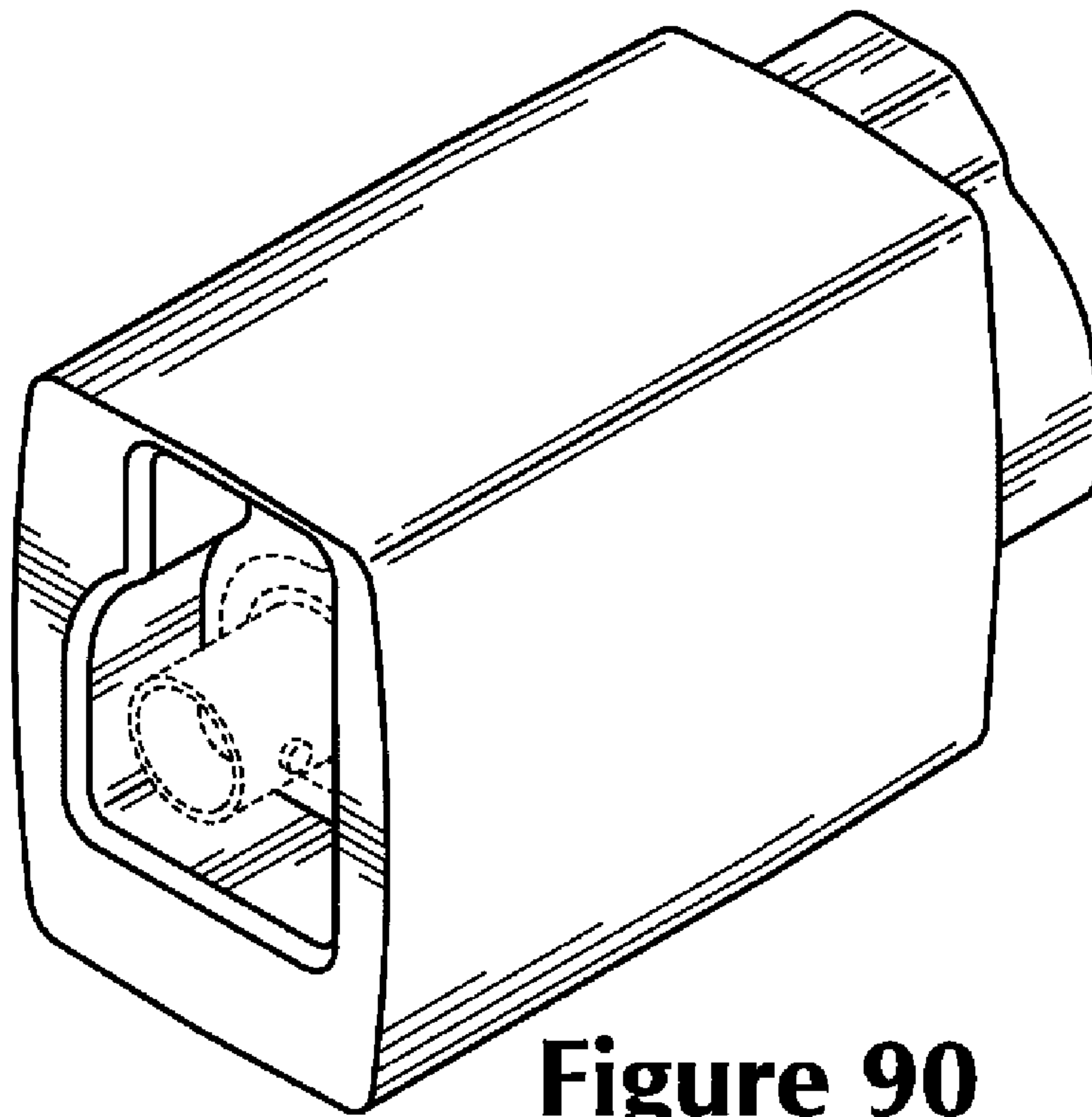


Figure 90

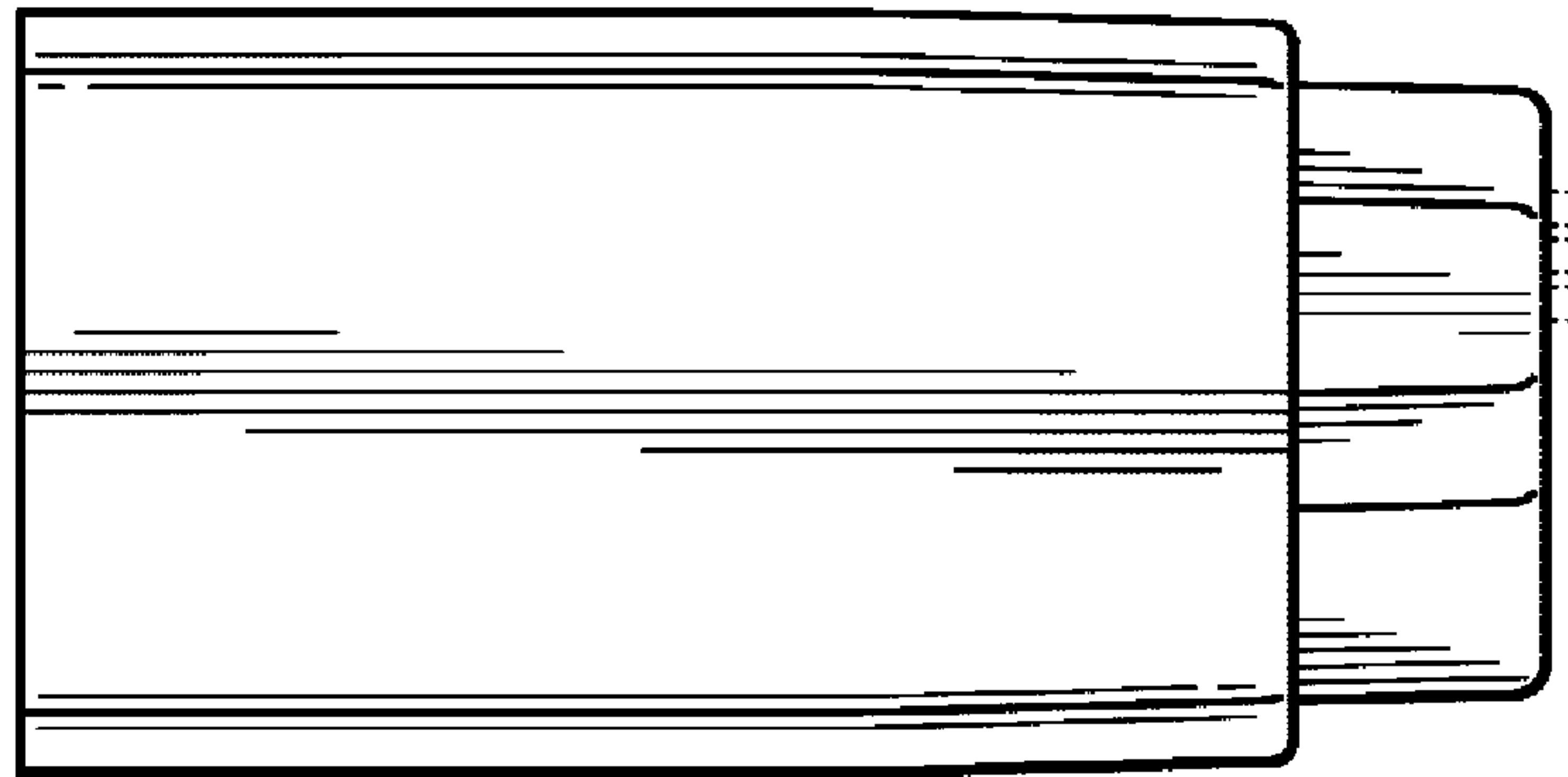


Figure 91

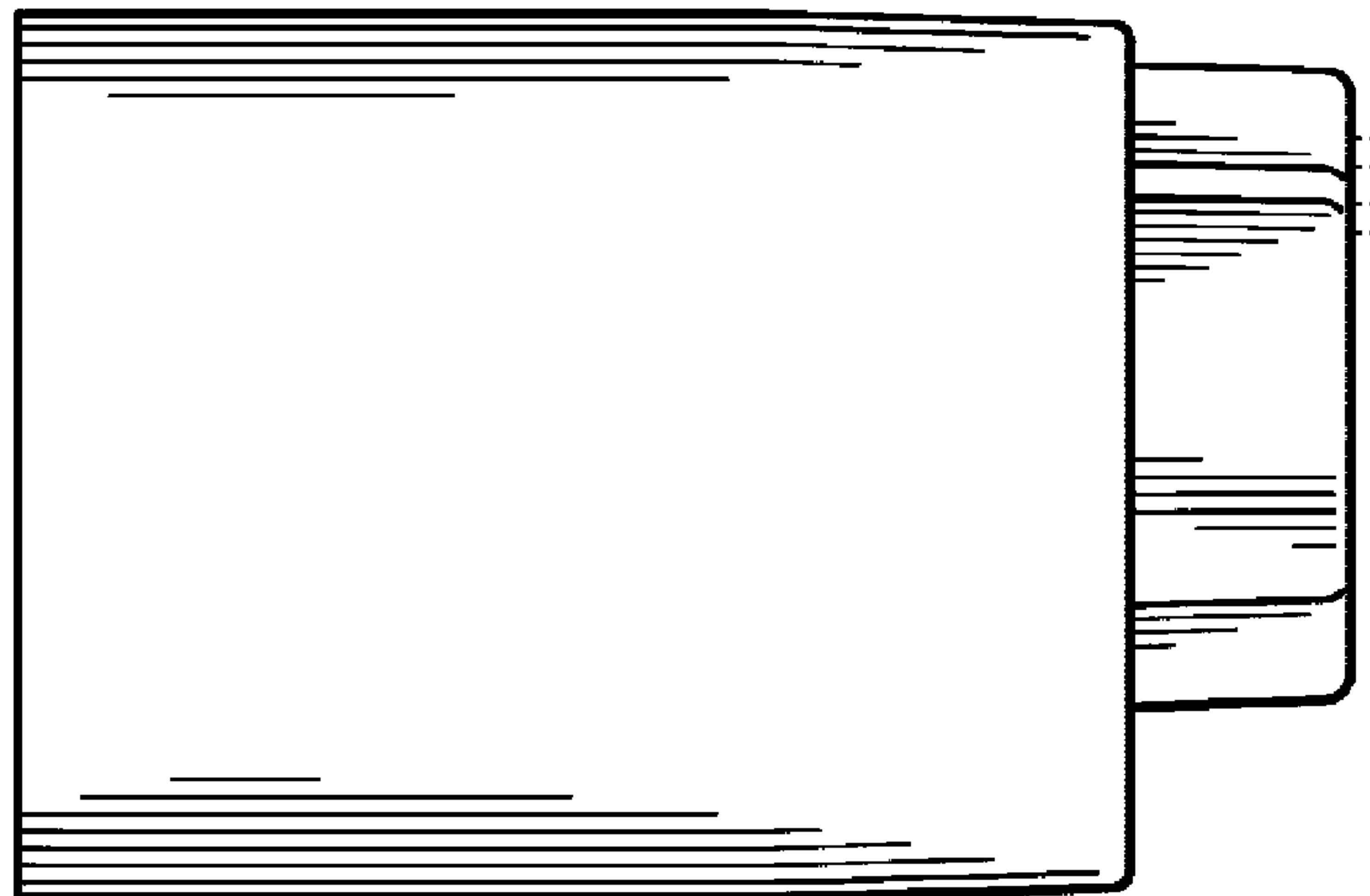


Figure 92

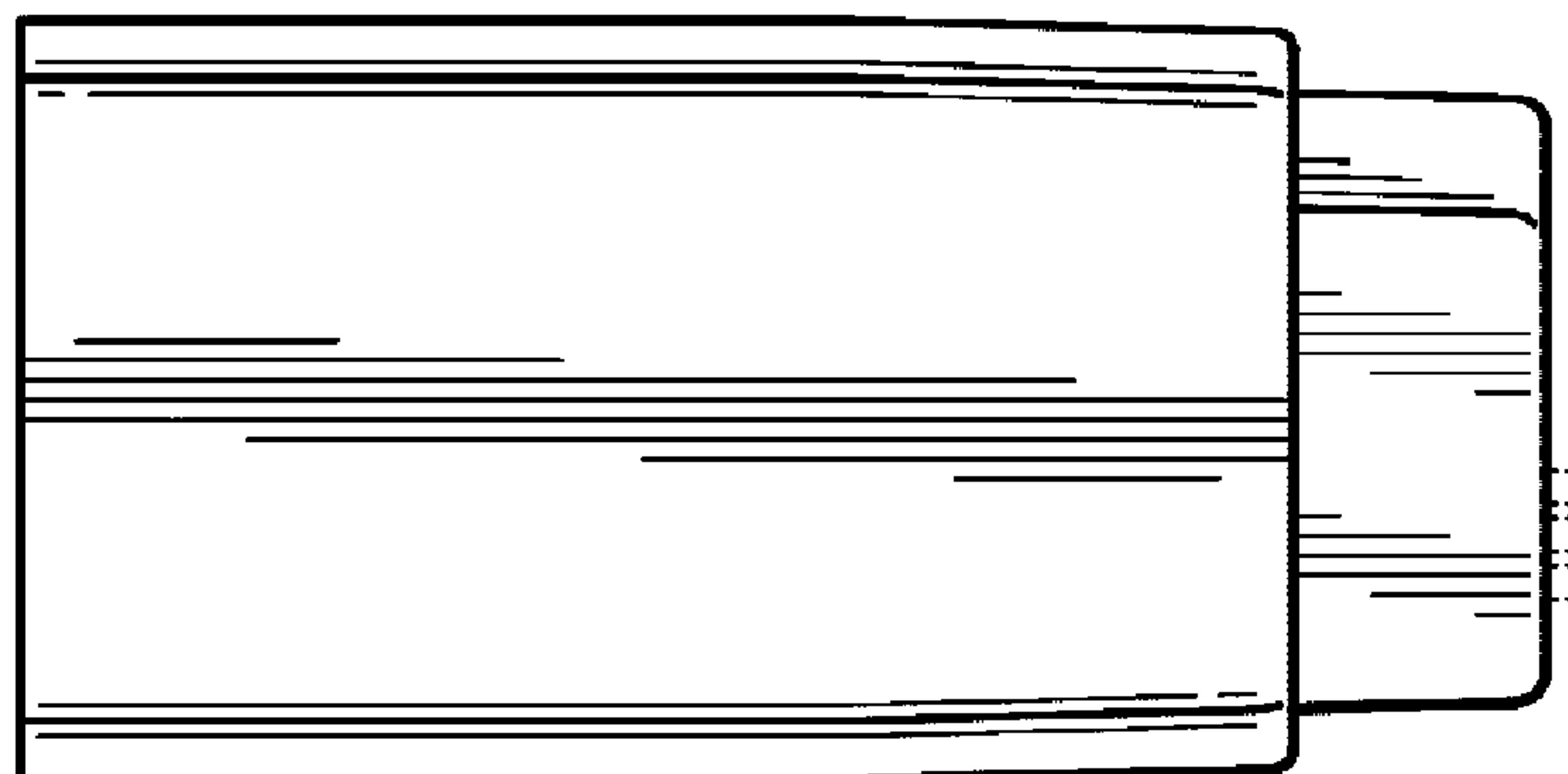


Figure 93

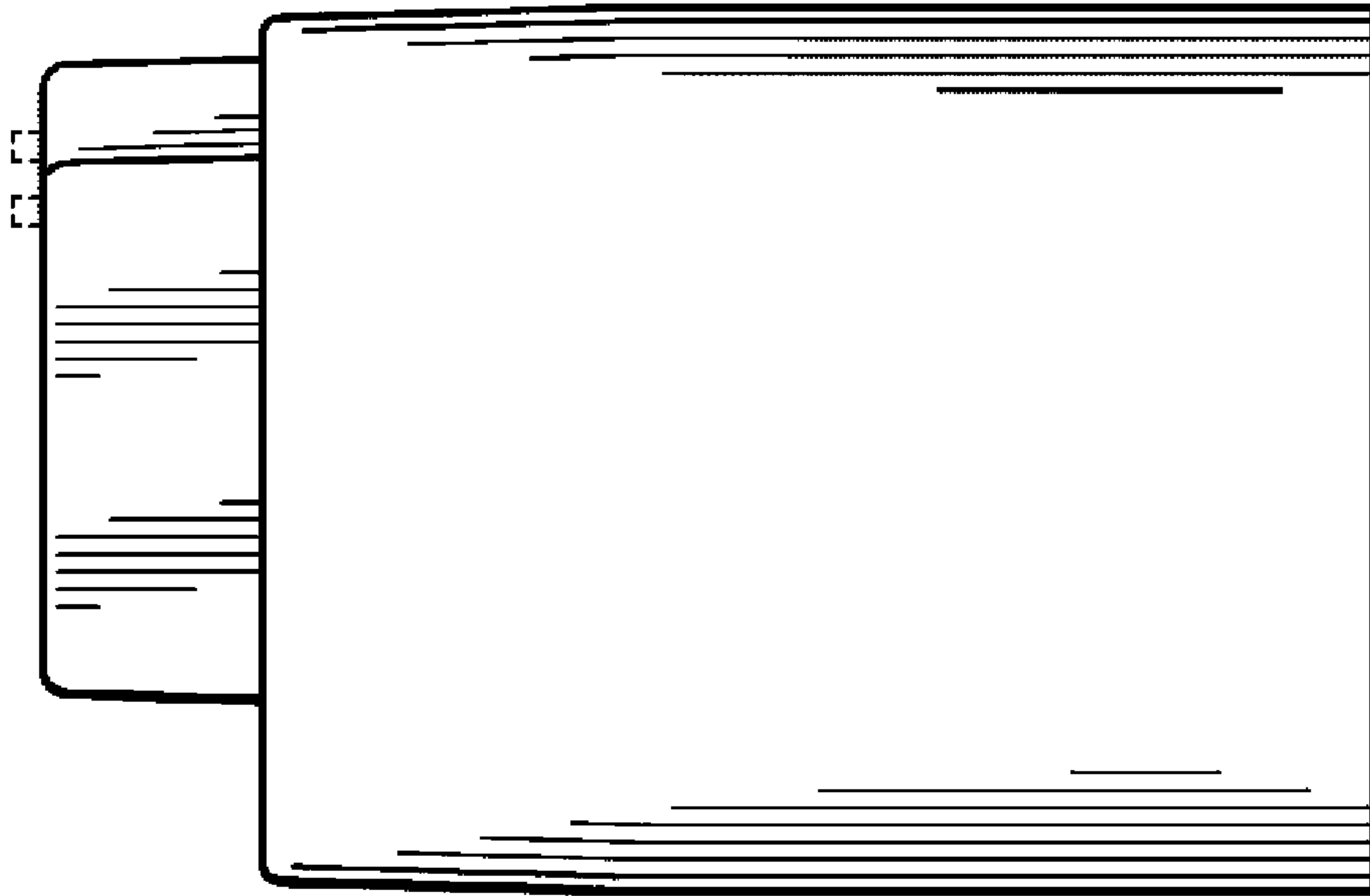


Figure 94

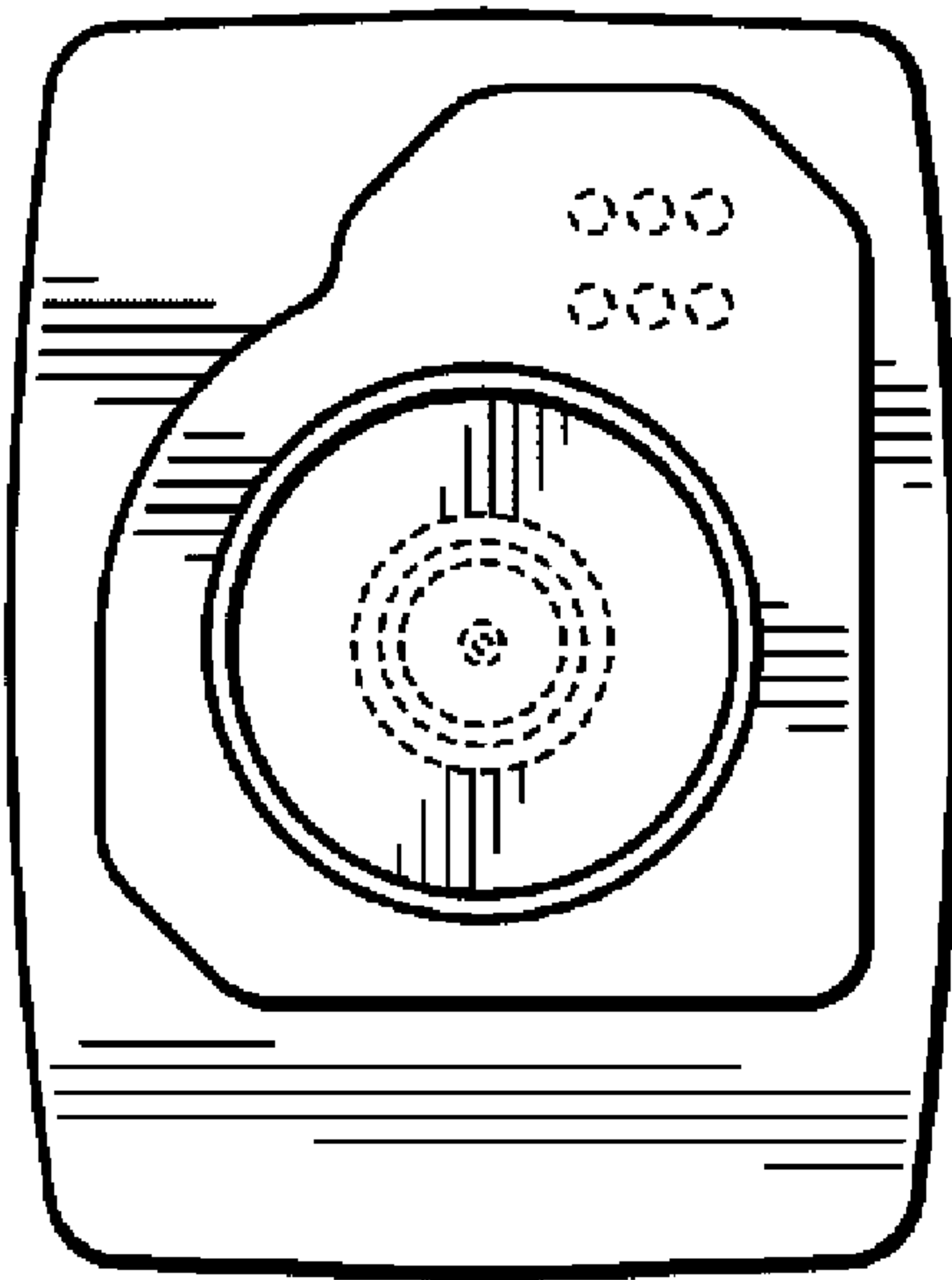


Figure 95

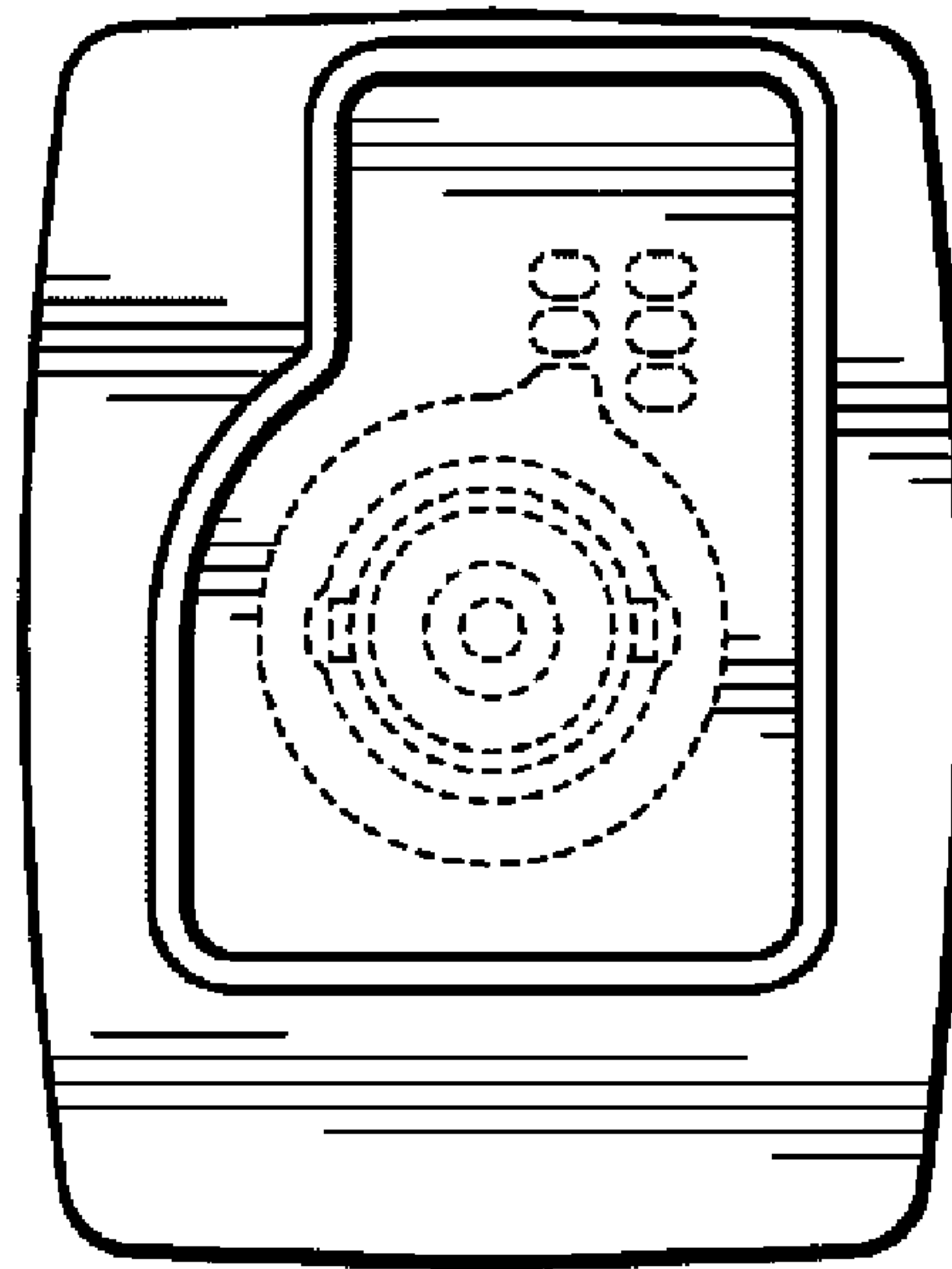


Figure 96

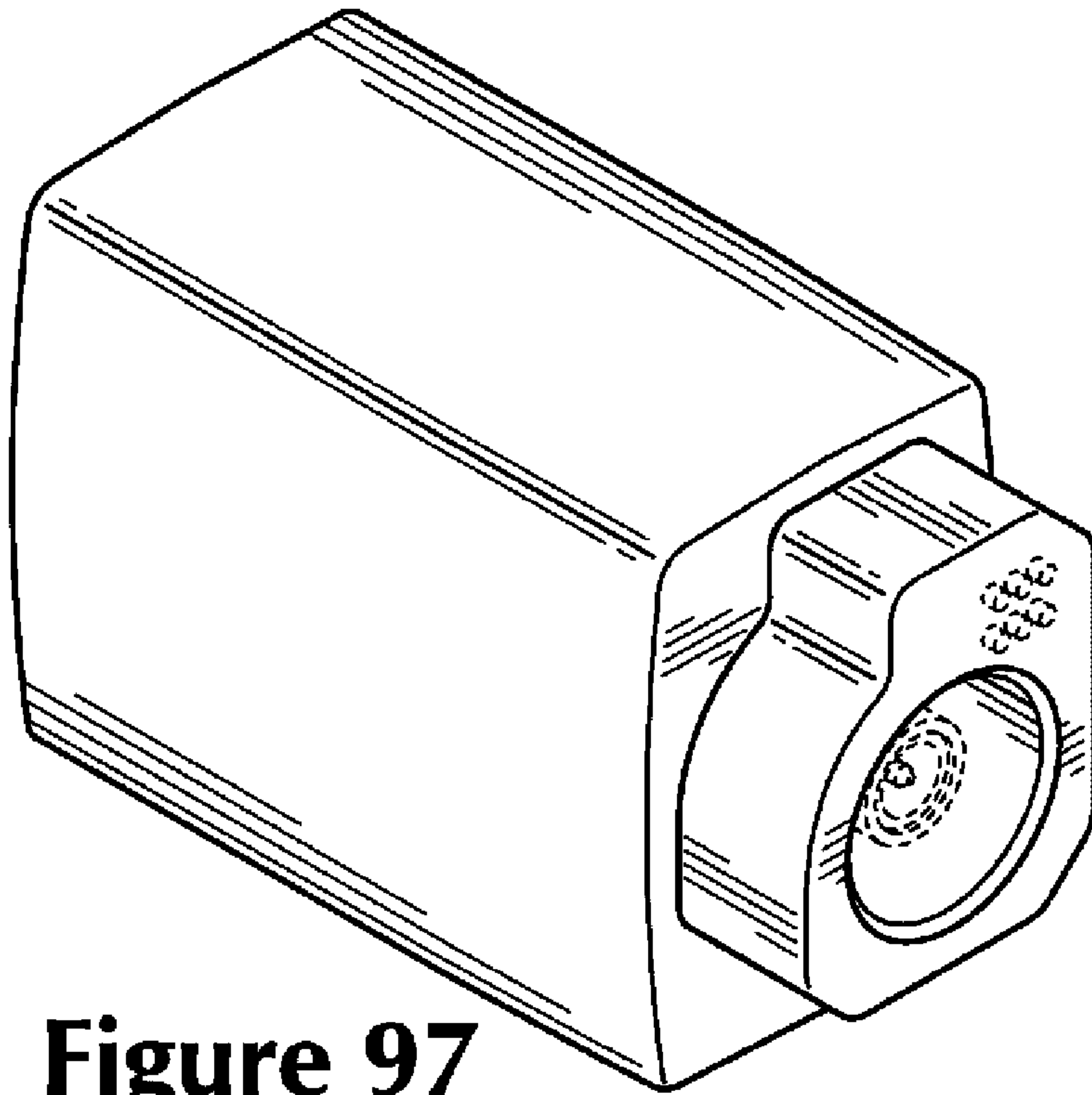


Figure 97

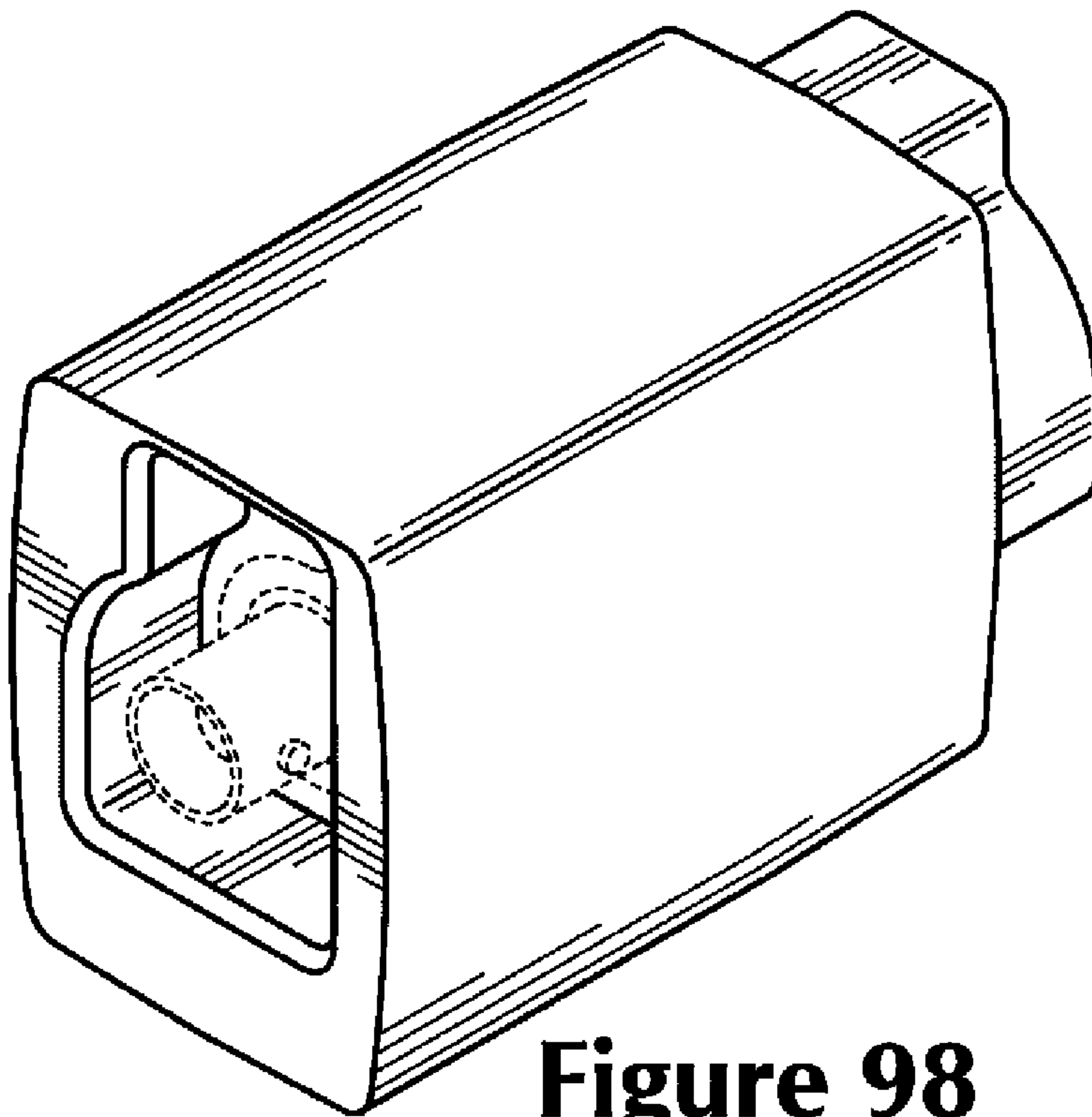


Figure 98

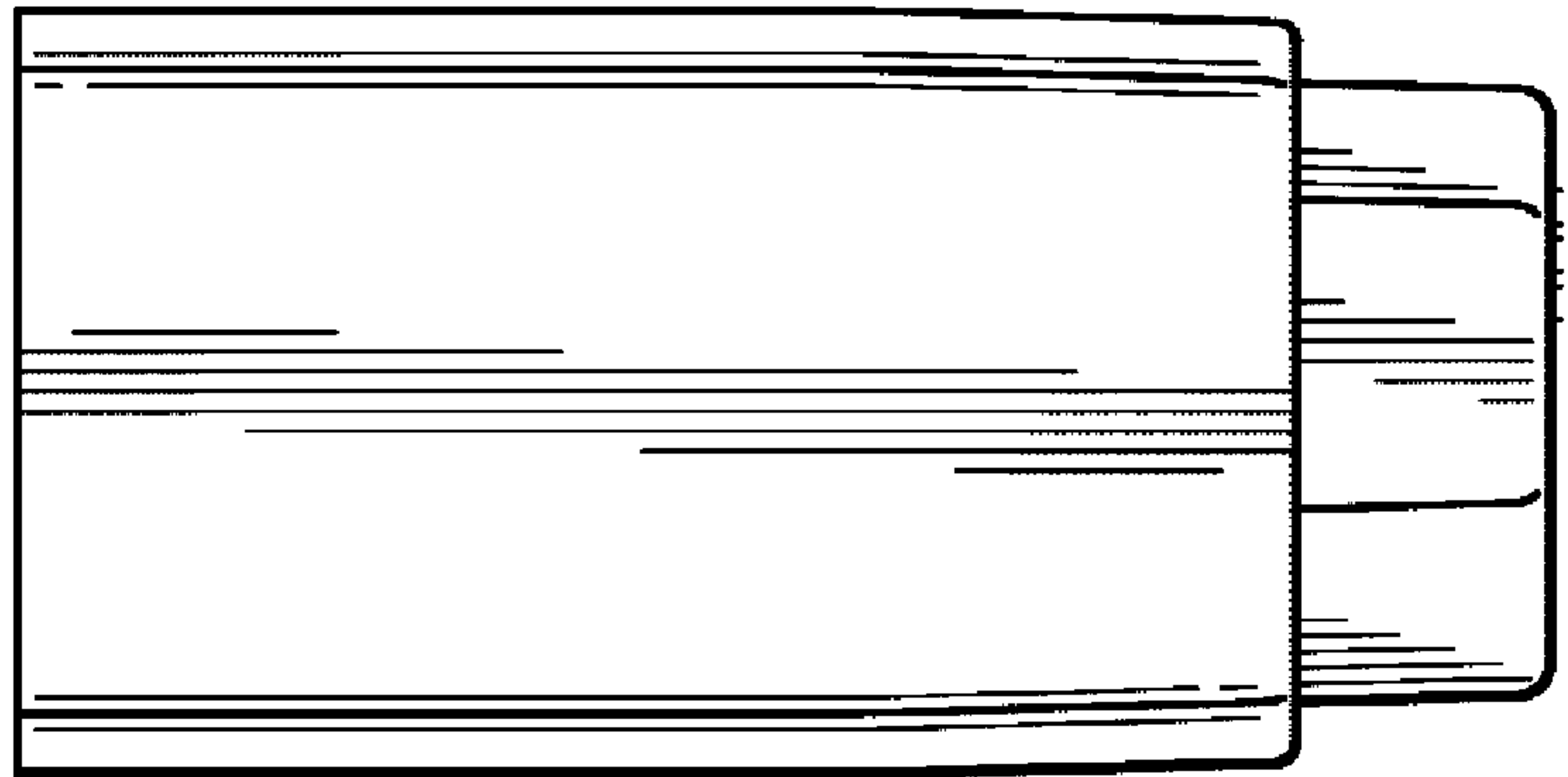


Figure 99

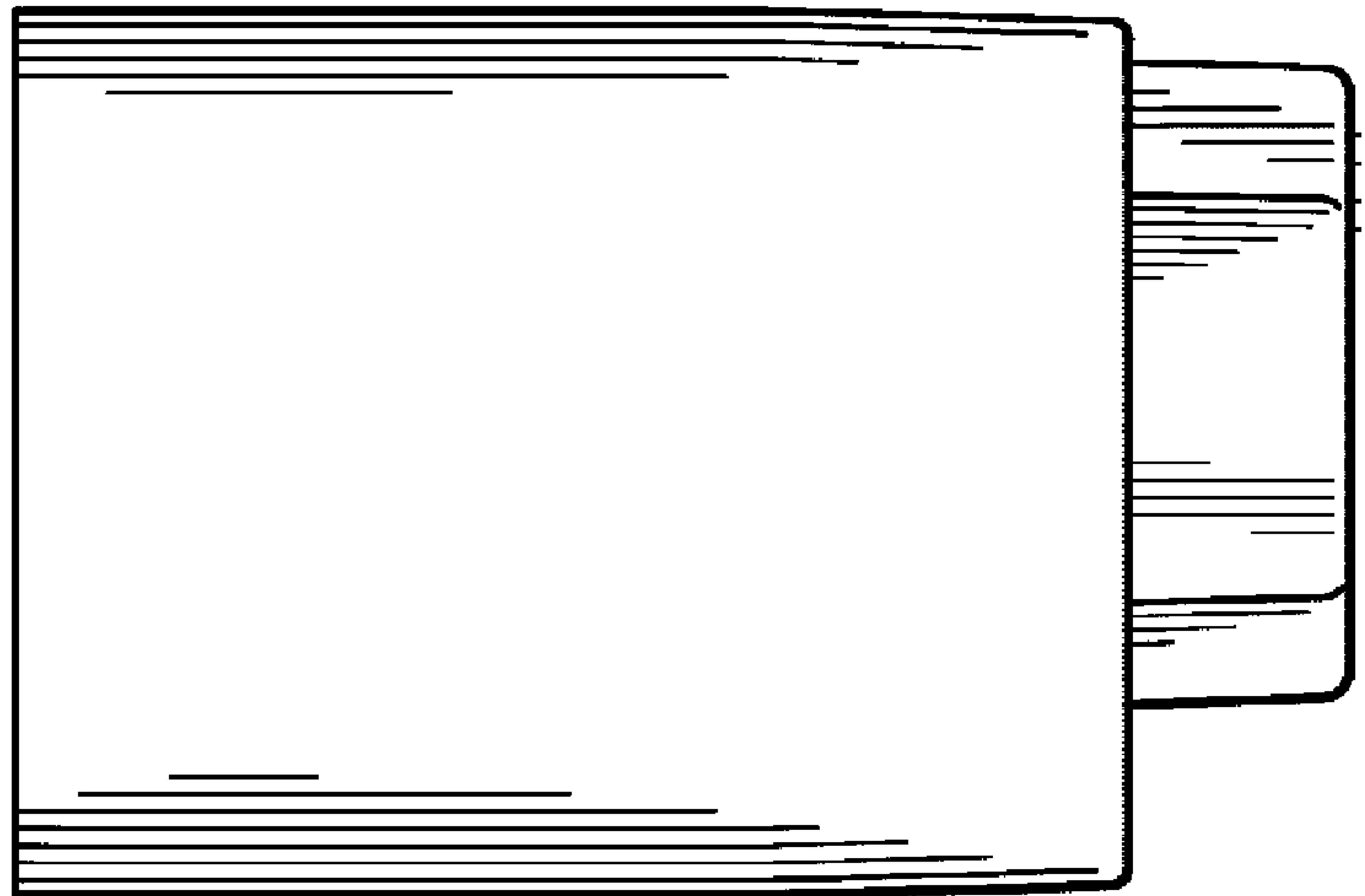


Figure 100

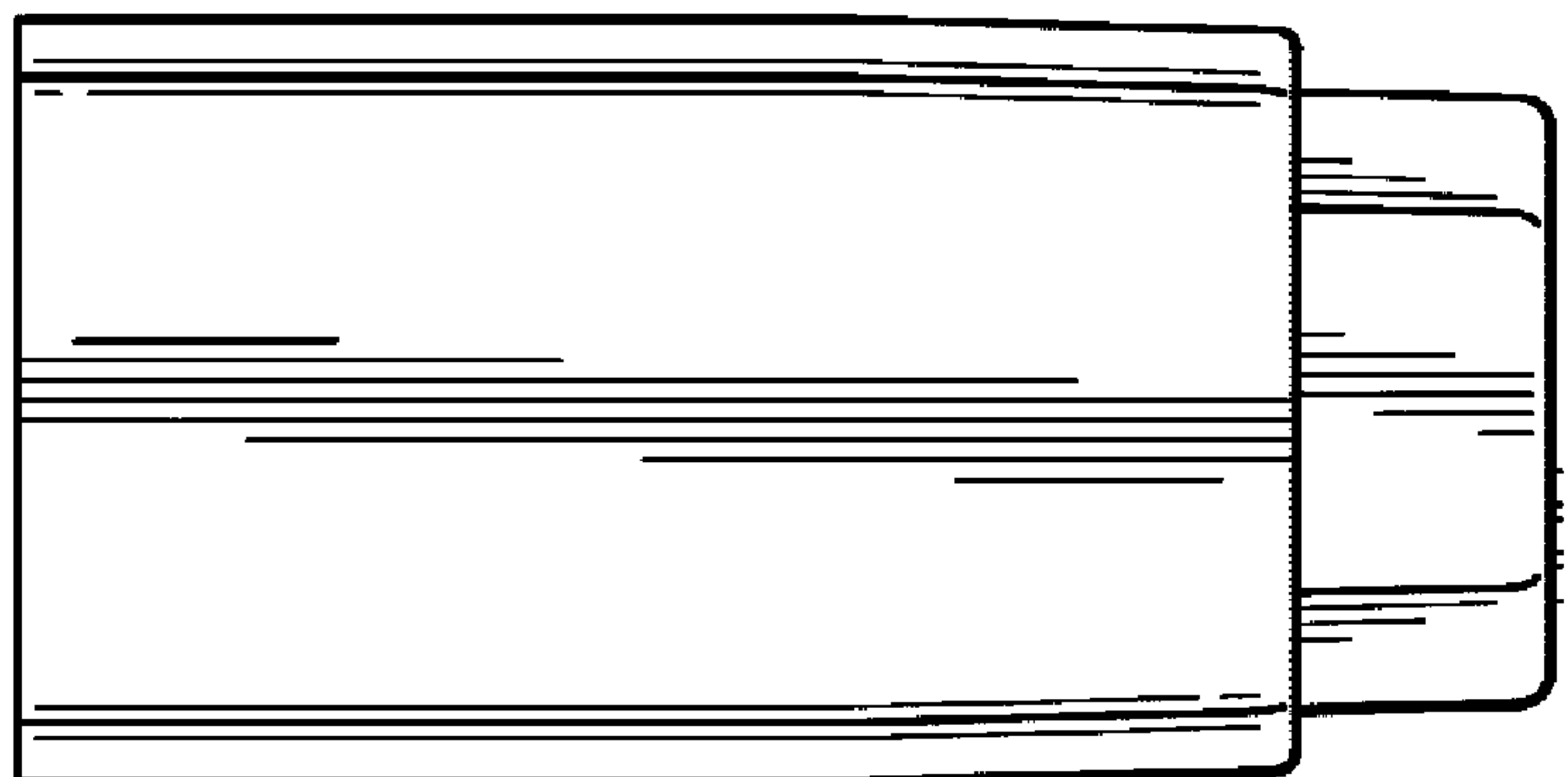


Figure 101

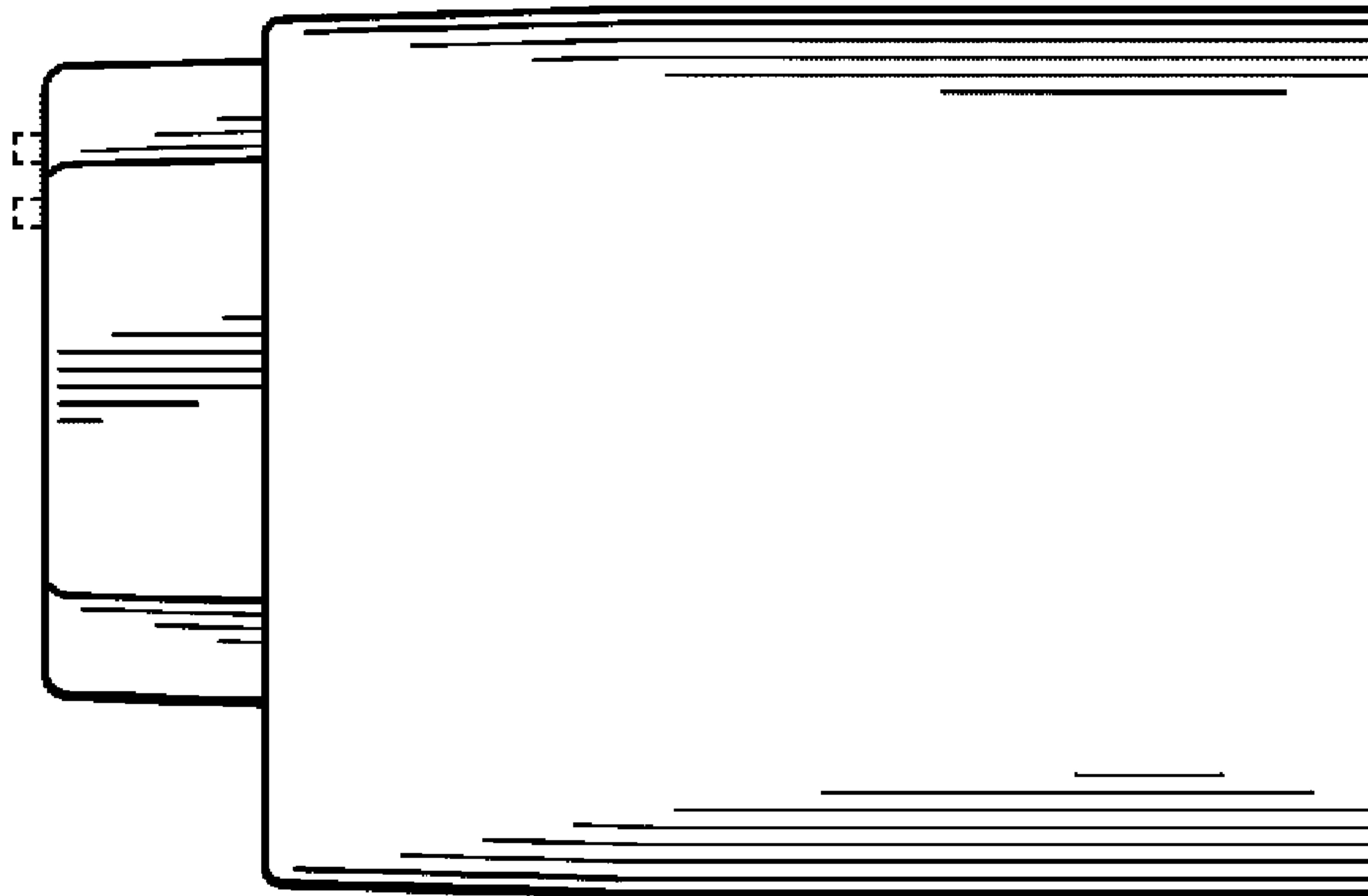


Figure 102

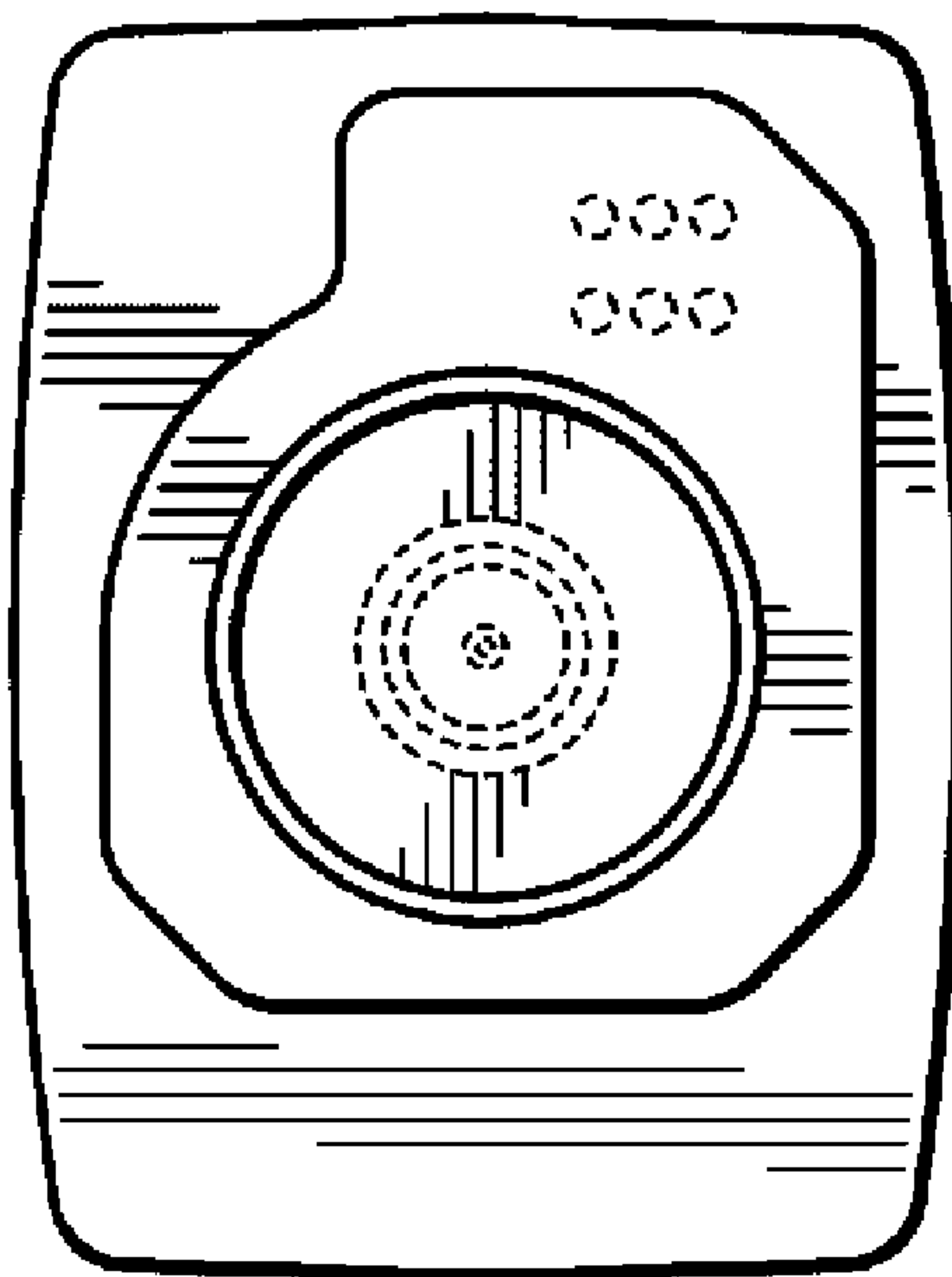


Figure 103

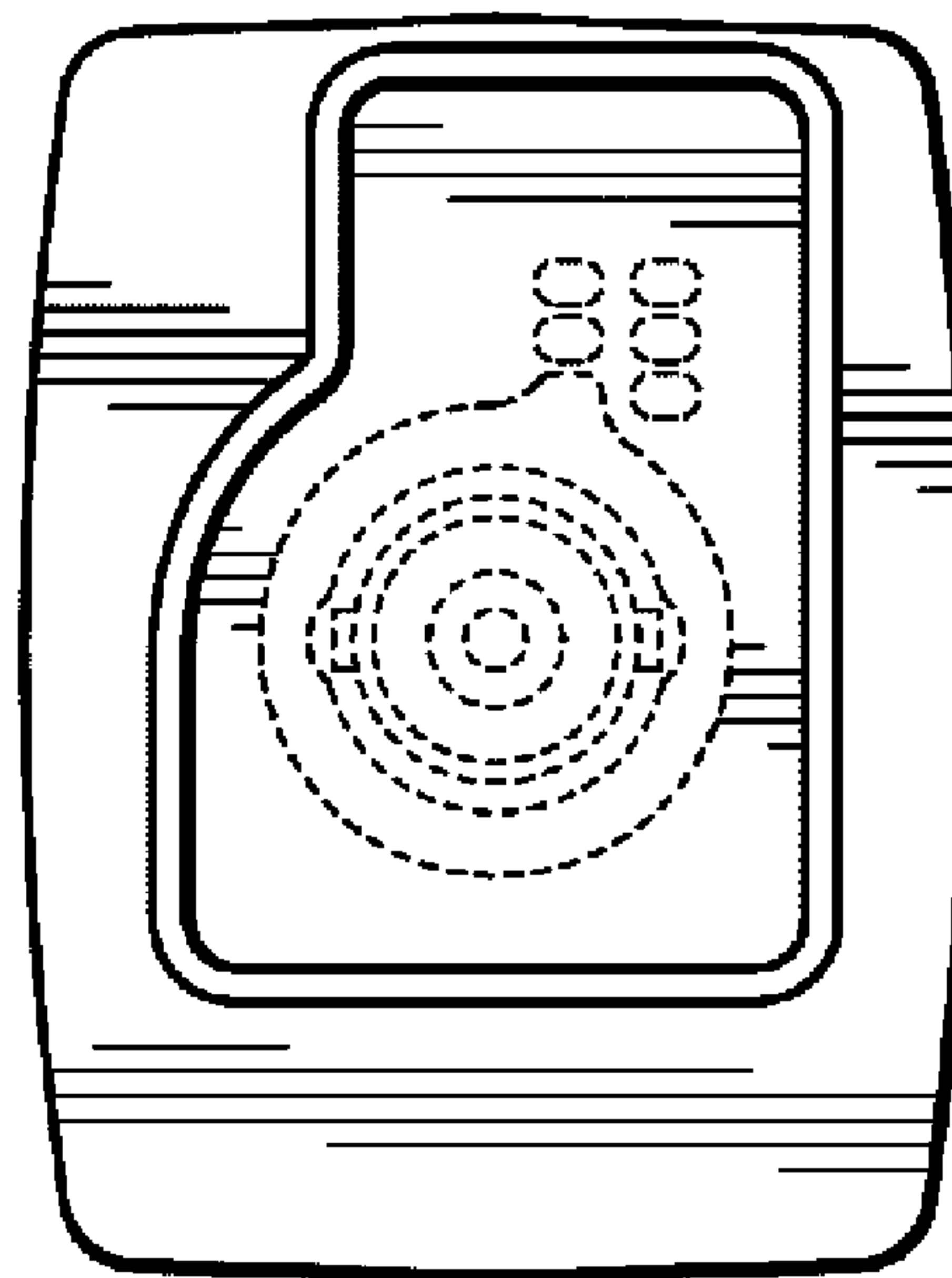


Figure 104

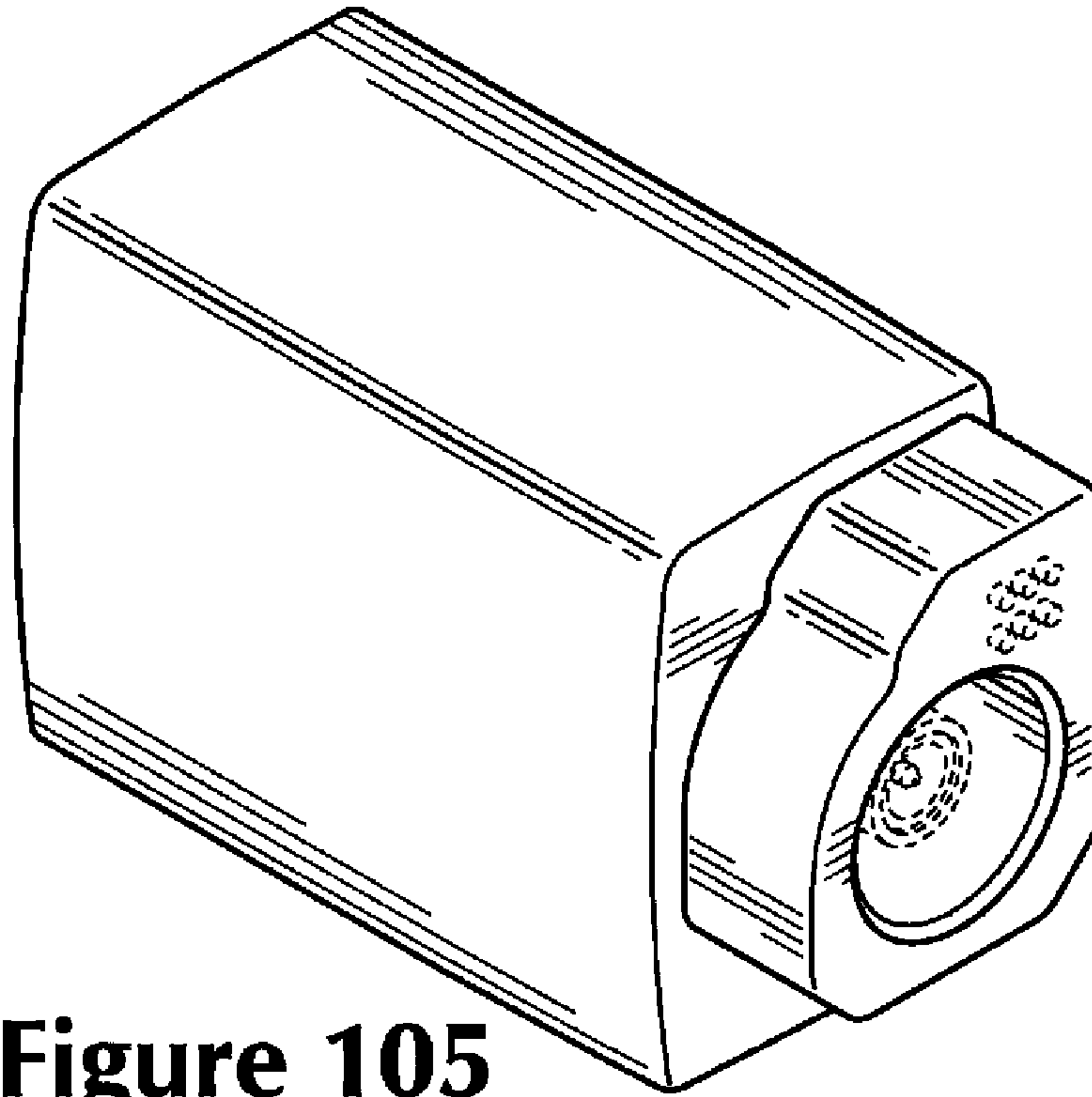


Figure 105

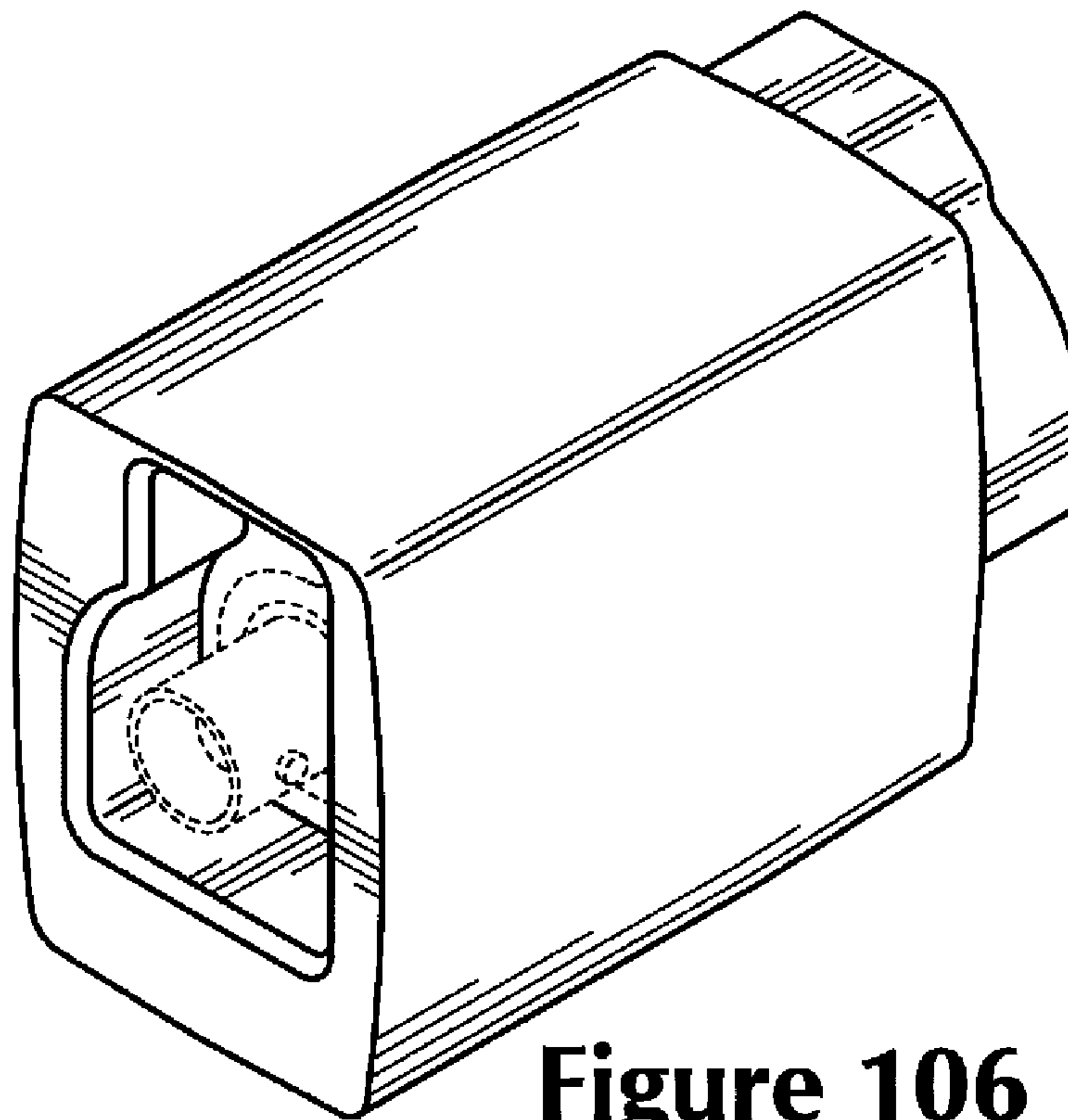


Figure 106

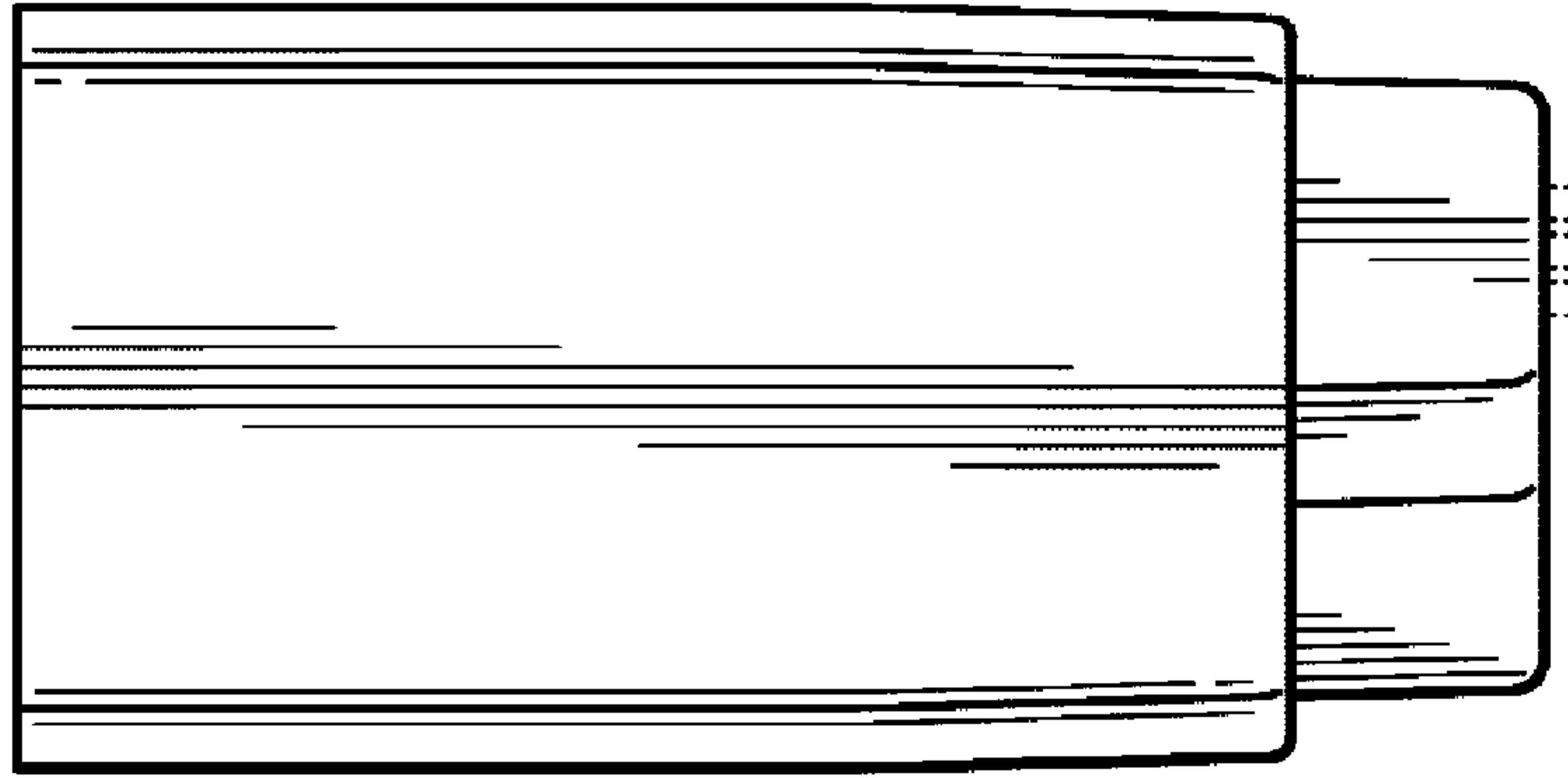


Figure 107

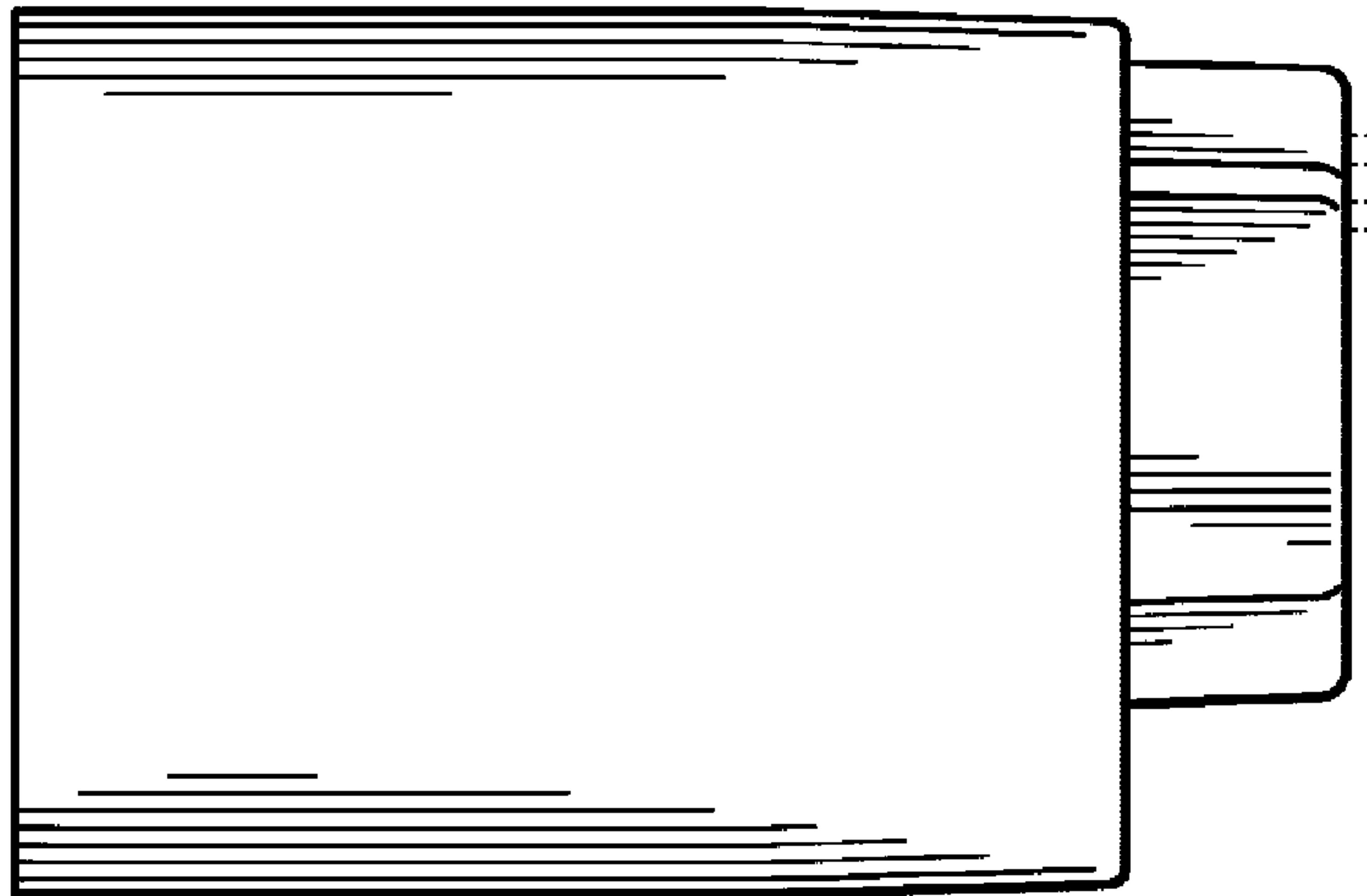


Figure 108

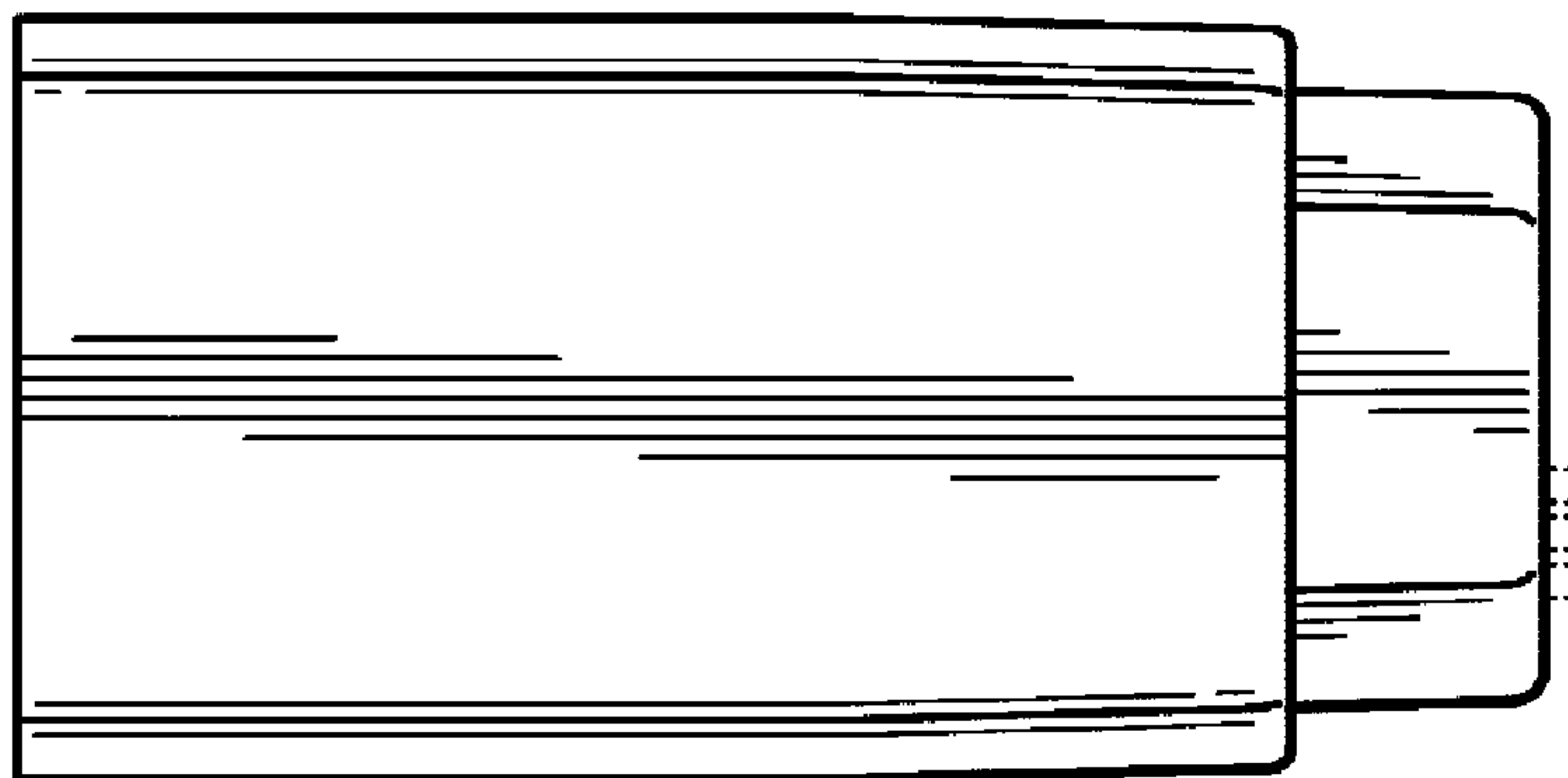


Figure 109

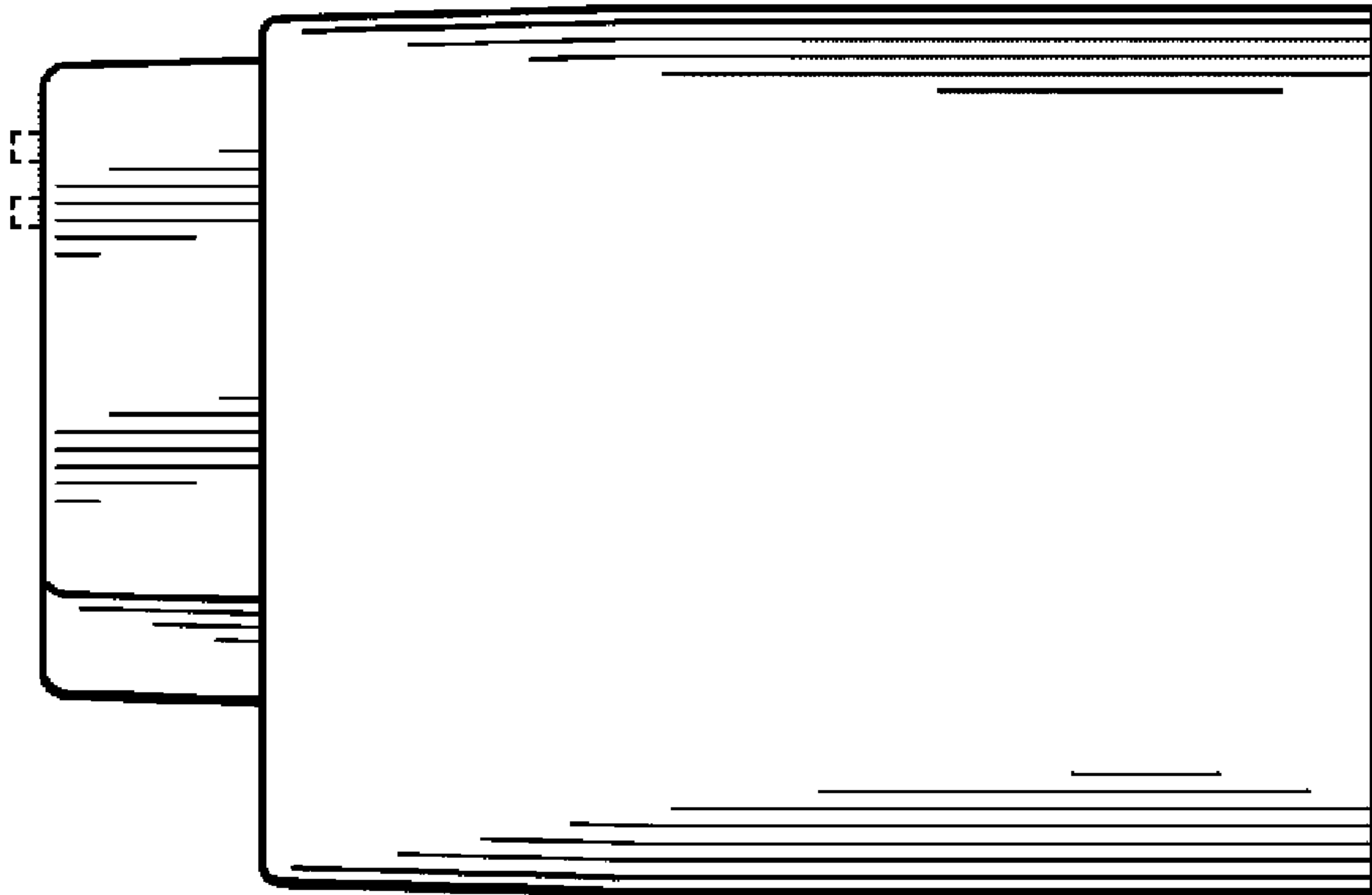


Figure 110

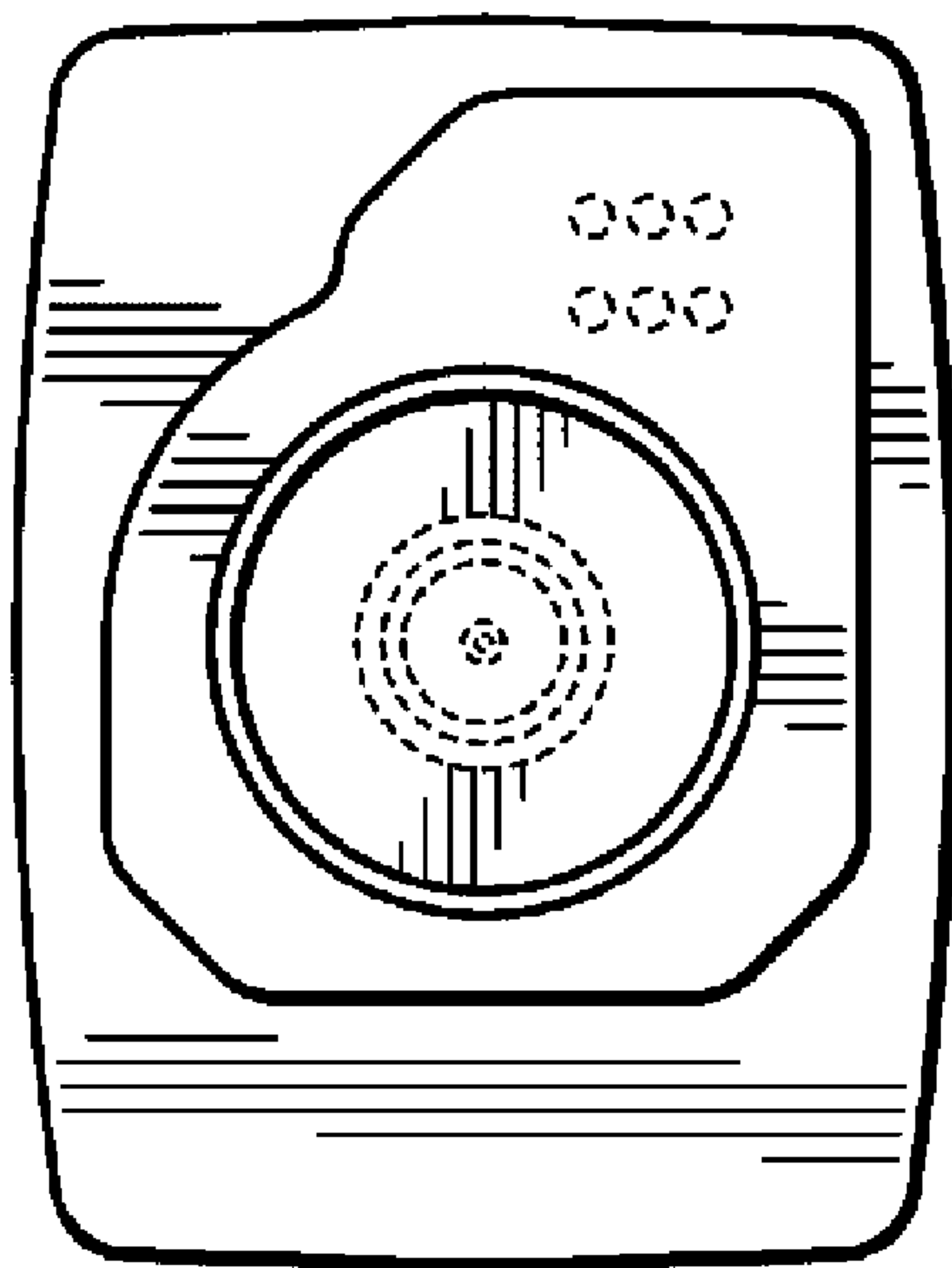


Figure 111

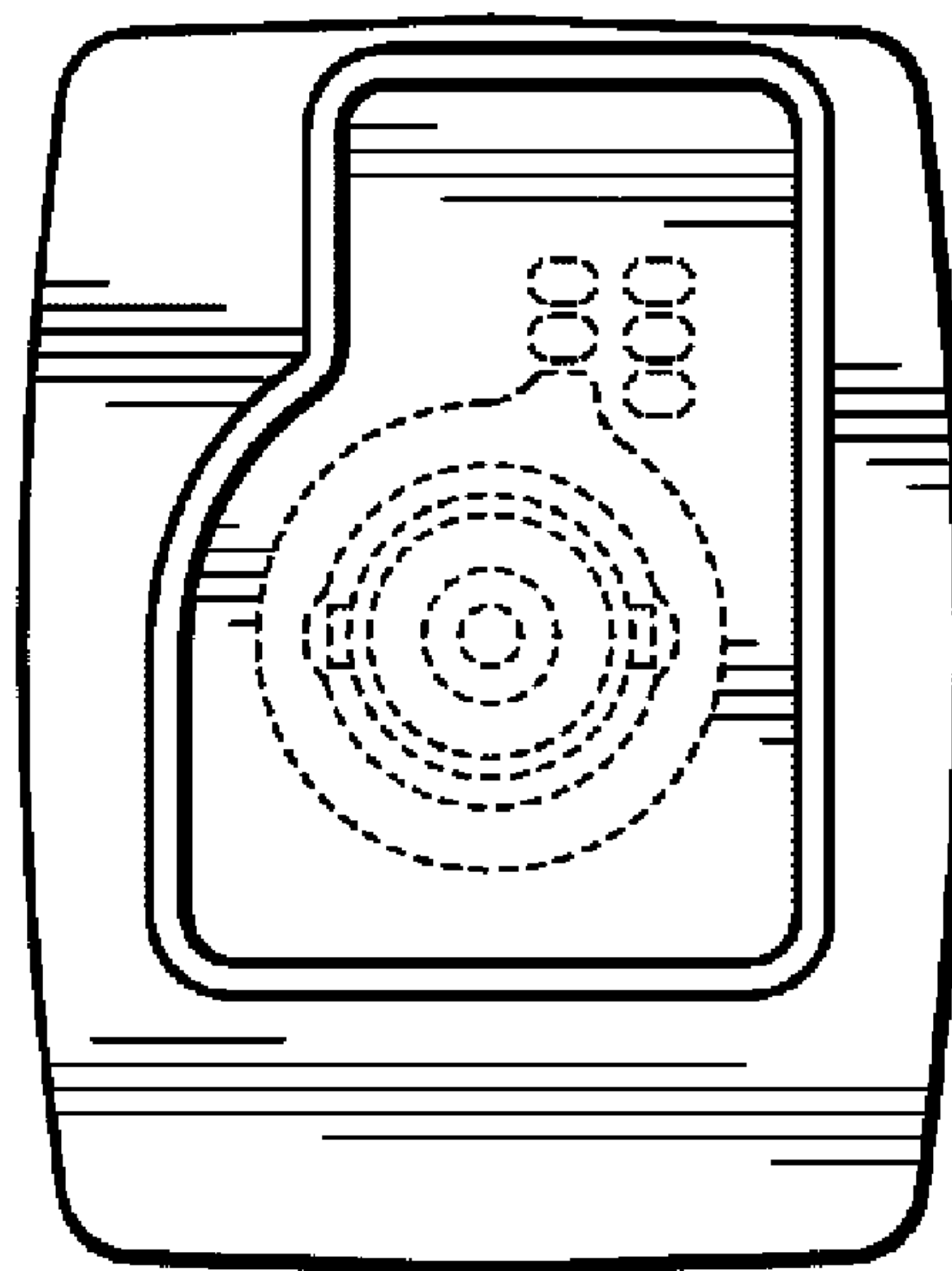


Figure 112

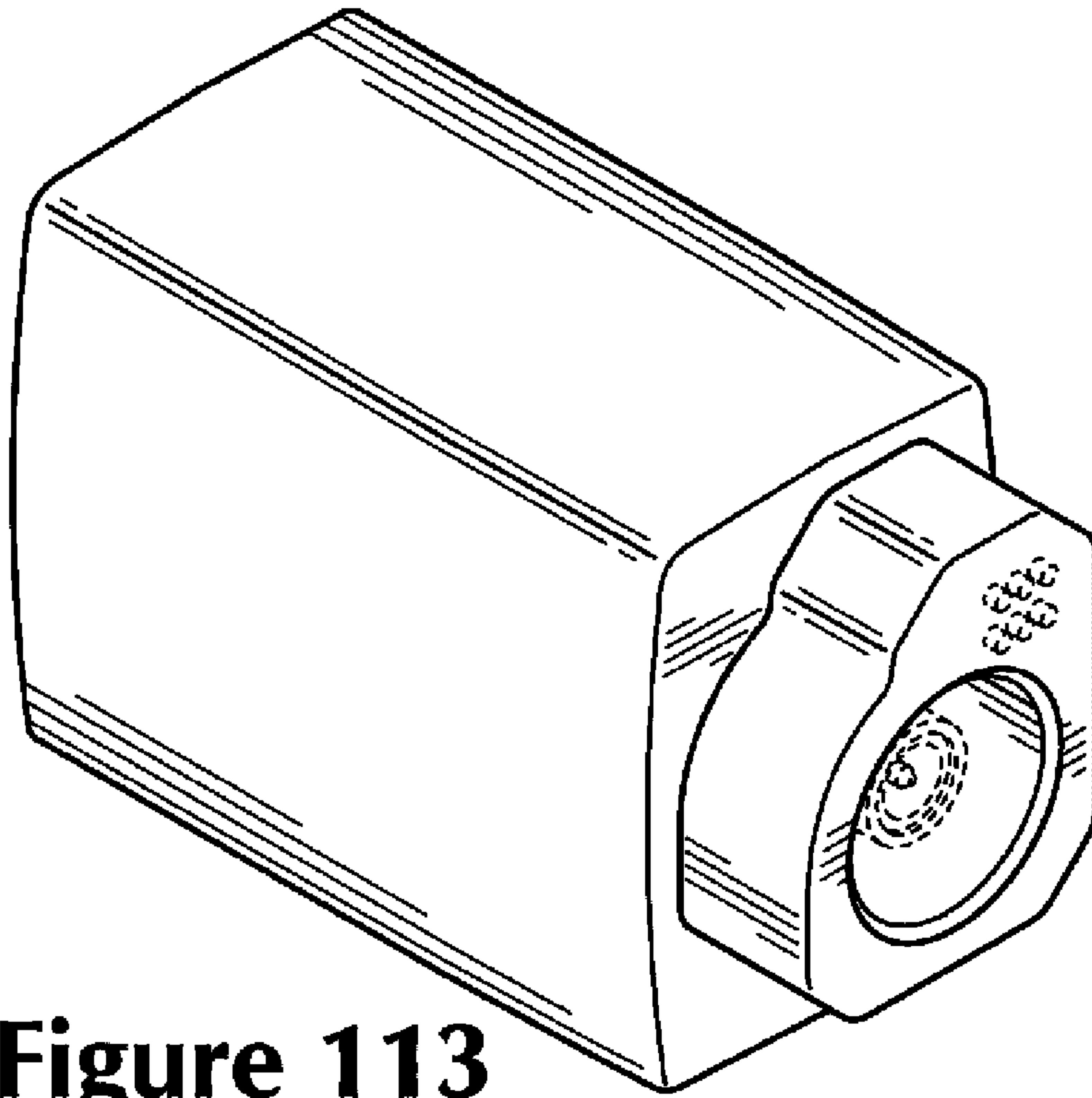


Figure 113

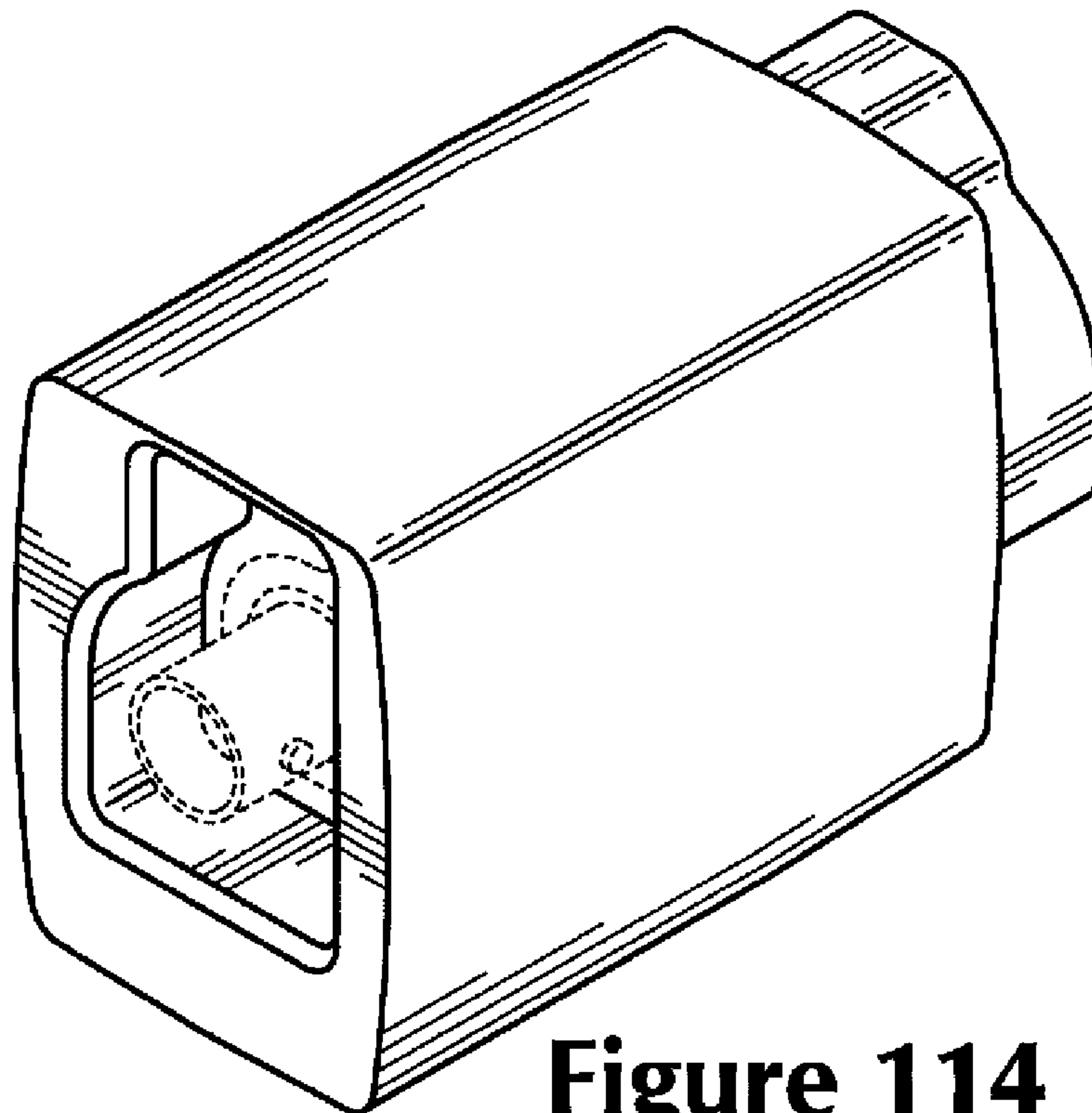


Figure 114

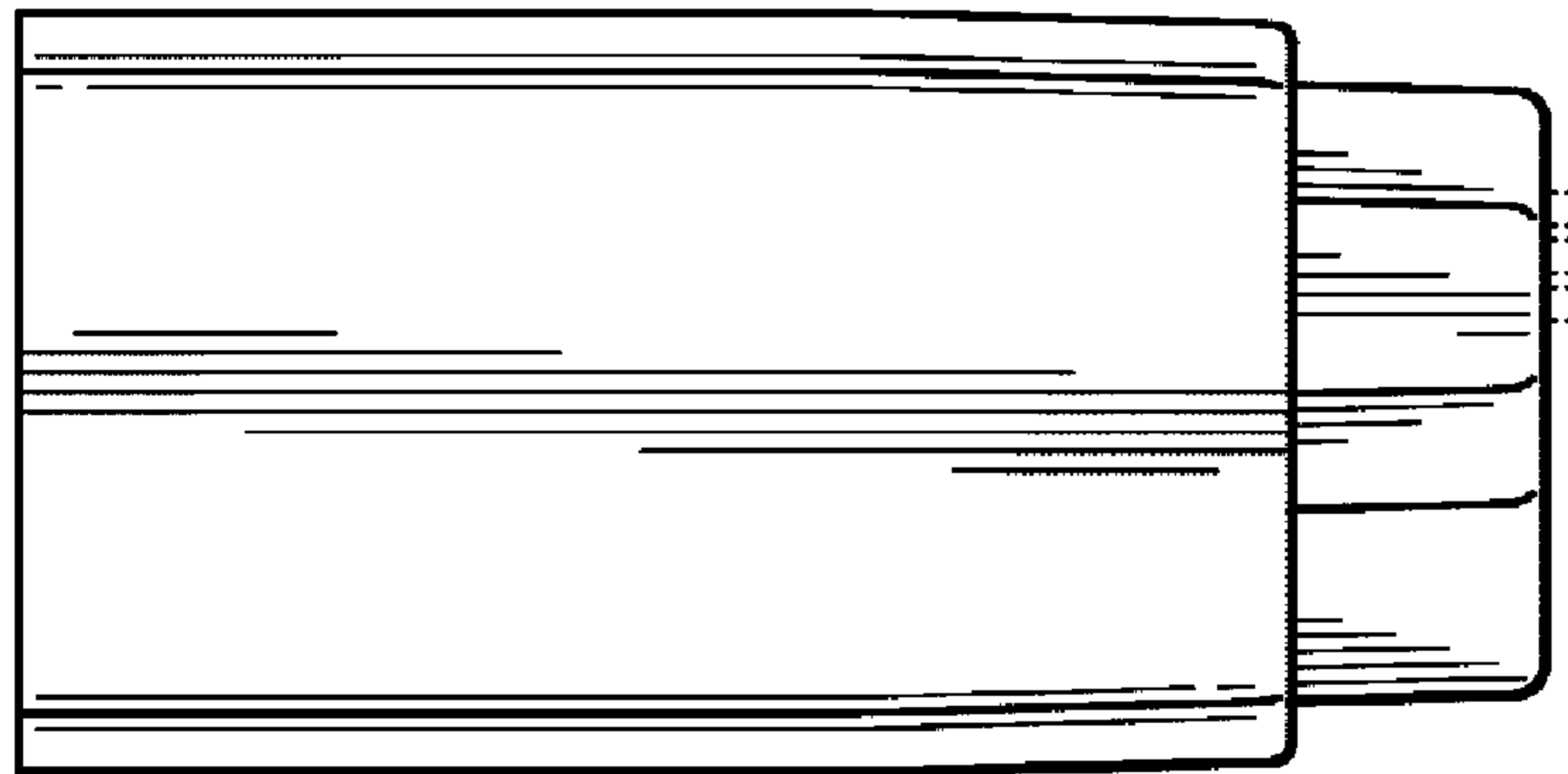


Figure 115

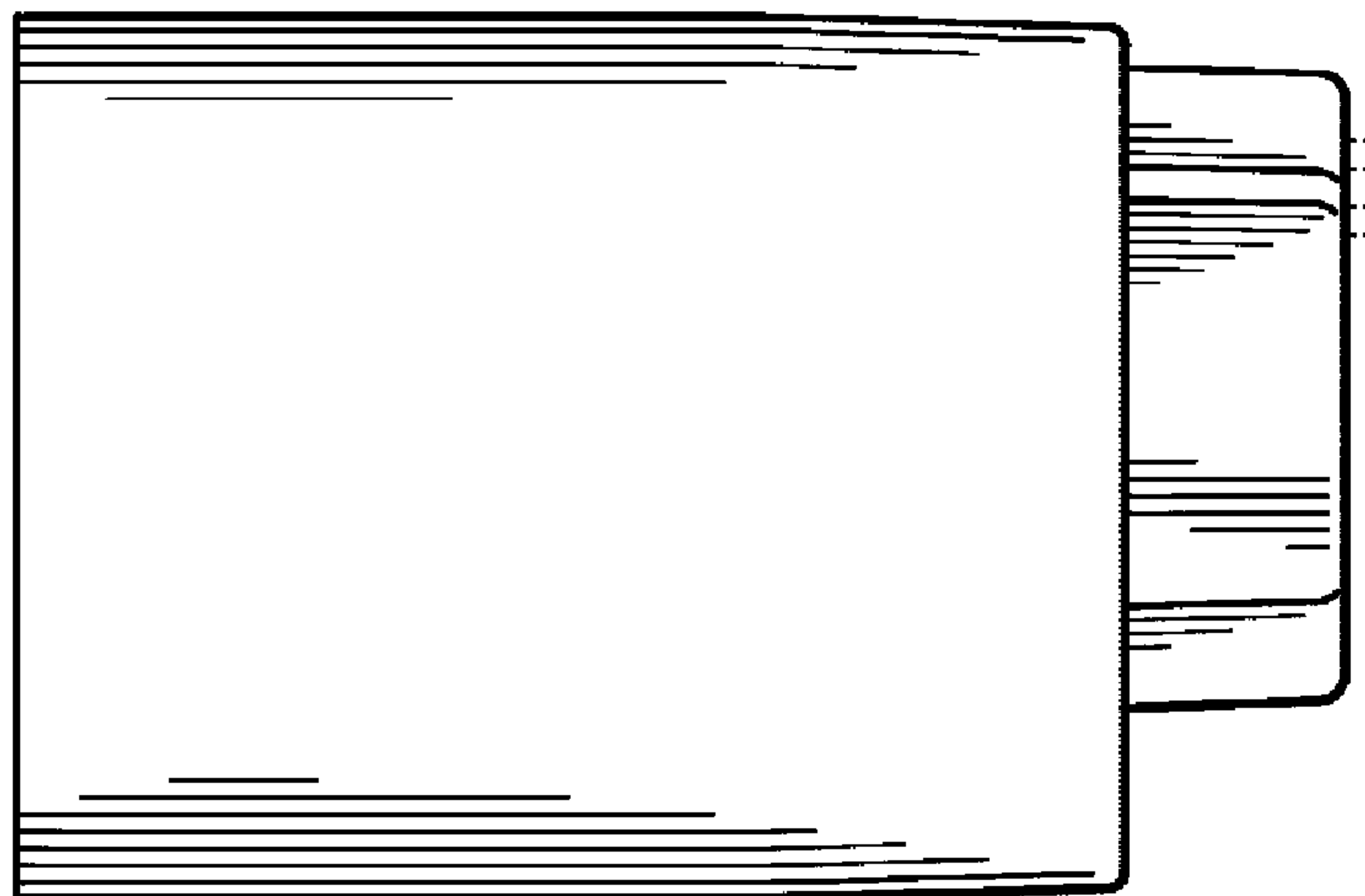


Figure 116

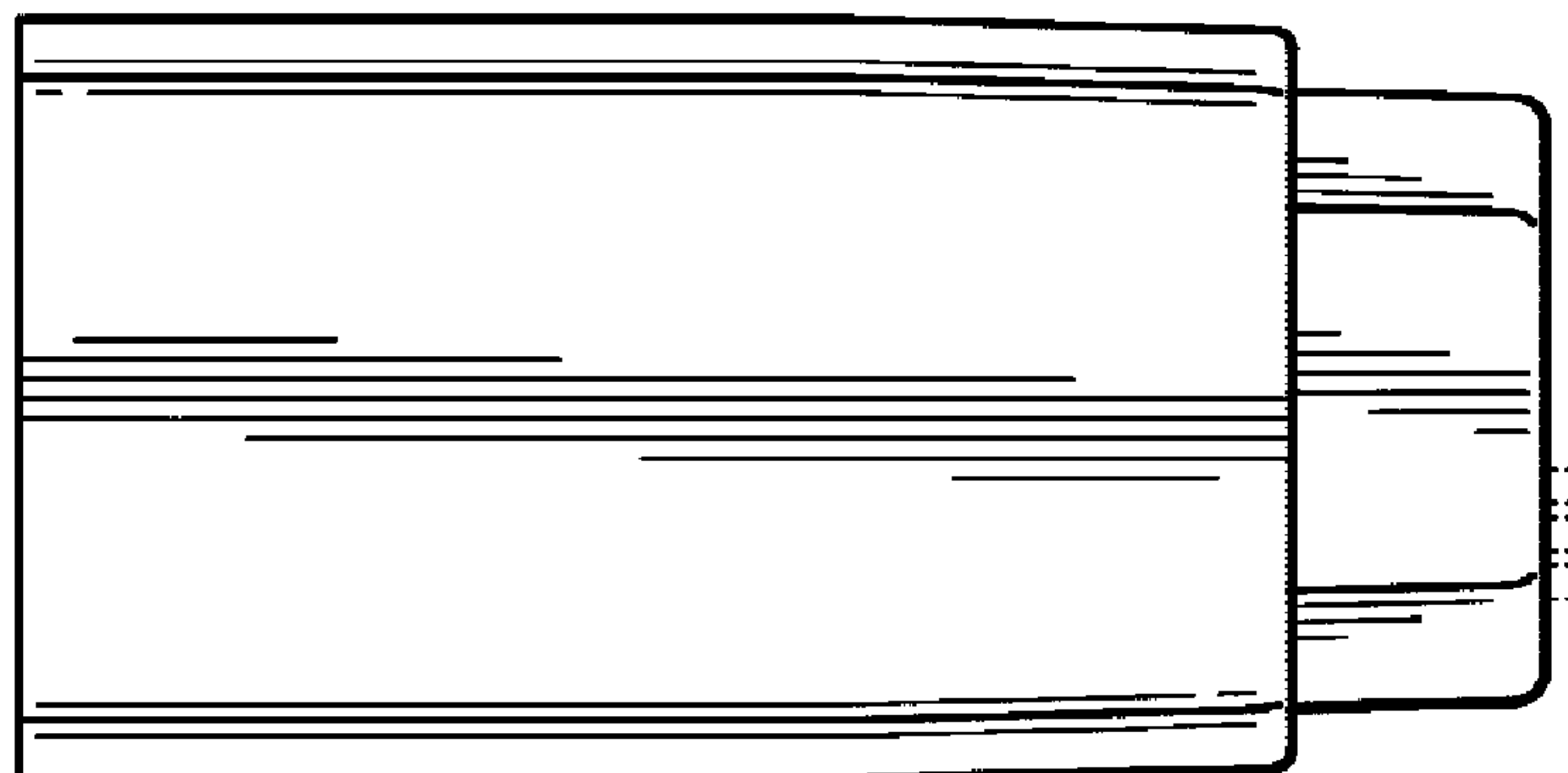


Figure 117

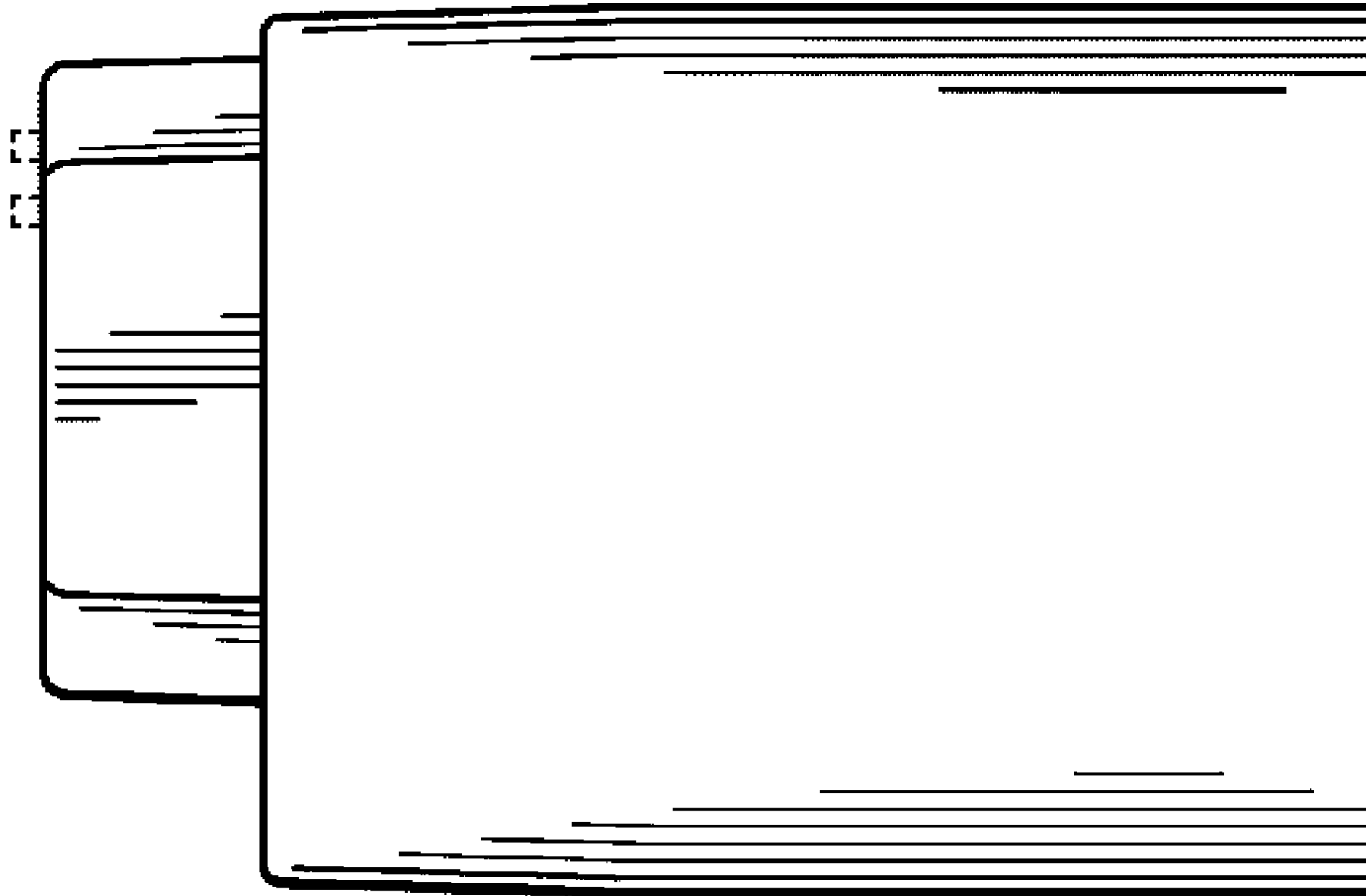


Figure 118

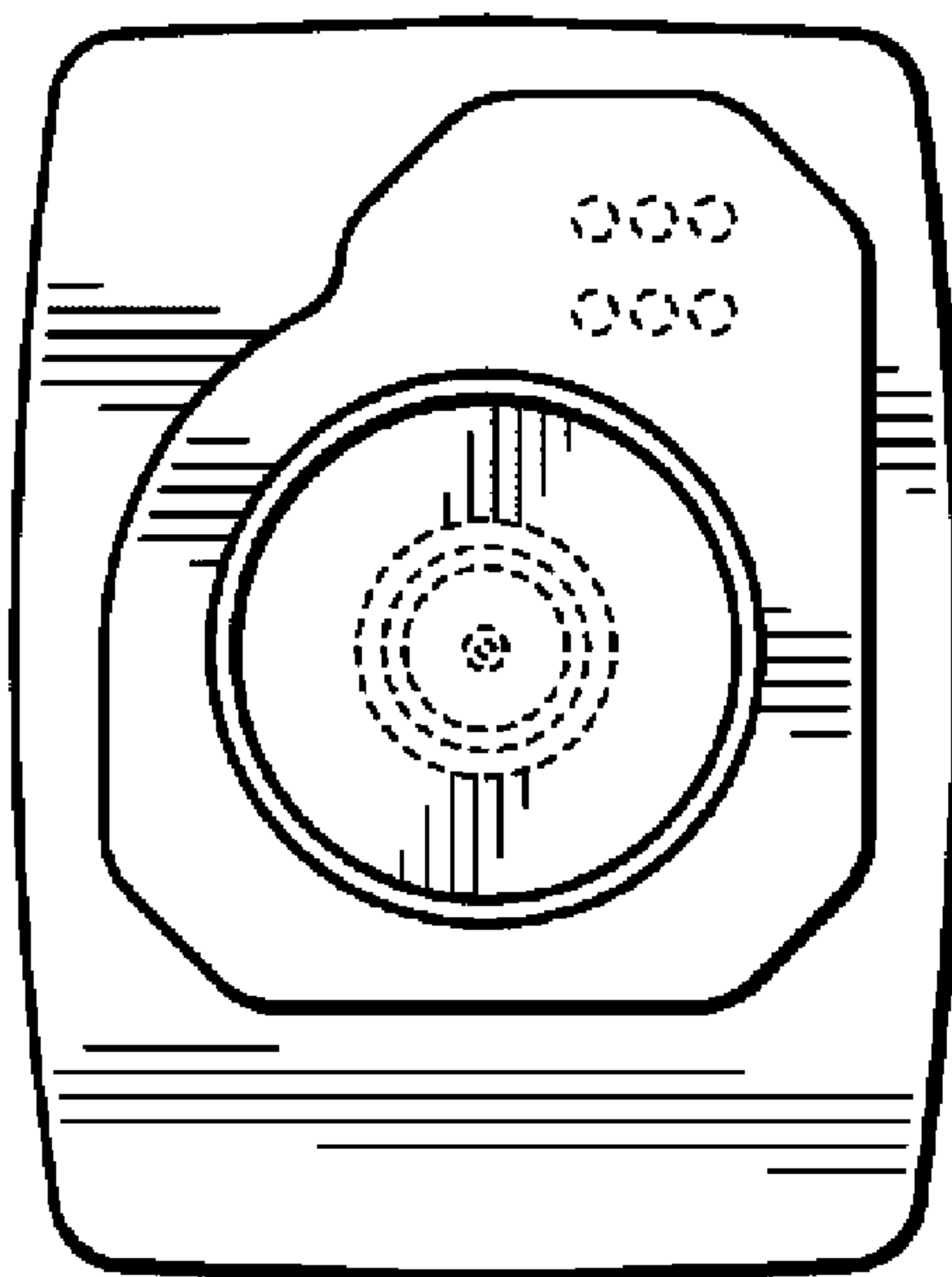


Figure 119

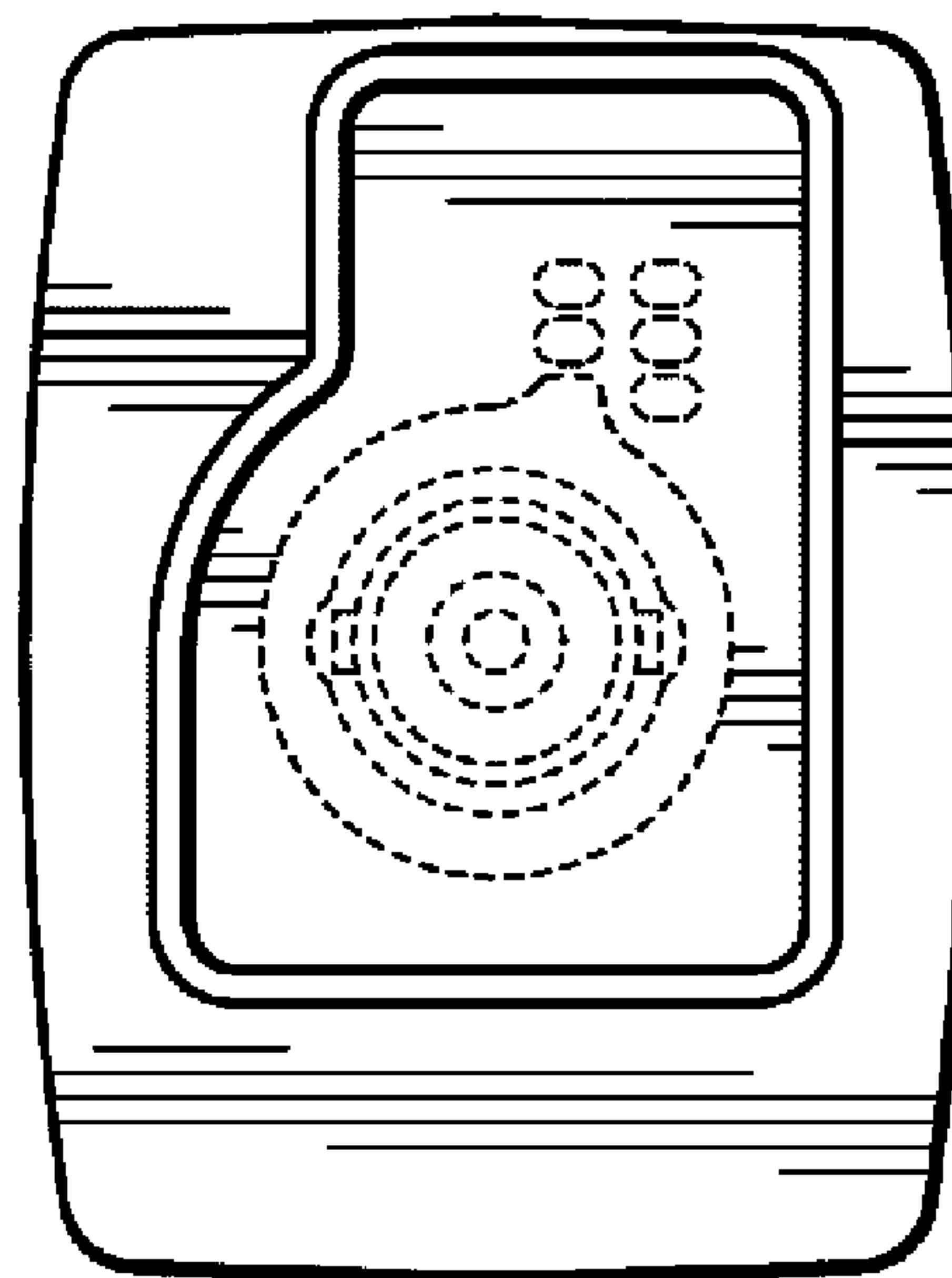


Figure 120