



US00D649965S

(12) **United States Design Patent**  
**Chiu**

(10) **Patent No.:** **US D649,965 S**  
(45) **Date of Patent:** **\*\* Dec. 6, 2011**

(54) **TABLET PC**  
(75) **Inventor:** **Yi-Chung Chiu**, Taoyuan County (TW)  
(73) **Assignee:** **Hannspree, Inc.**, Taipei County (TW)  
(\*\*) **Term:** **14 Years**  
(21) **Appl. No.:** **29/379,821**  
(22) **Filed:** **Nov. 24, 2010**

(51) **LOC (9) Cl.** ..... **14-02**  
(52) **U.S. Cl.** ..... **D14/341**  
(58) **Field of Classification Search** ..... D14/341-347,  
D14/137, 138, 138.1, 138 AA, 138 R, 138 AB,  
D14/138 AC, 138 AD, 138 C, 138 G, 496,  
D14/203.1, 203.3, 203.4, 203.5, 203.7, 426,  
D14/427, 432, 429, 129, 130, 420, 439-441,  
D14/448, 125, 147, 156, 218, 247-248, 250,  
D14/389, 388, 315-318; D10/65, 104; D18/6-7;  
D21/324, 329, 330; D19/26, 59, 60; 455/556.1,  
455/556.2, 566, 575.1, 90.3; 379/433.04,  
379/433.01, 433.06, 916; 345/169, 173,  
345/901, 905; 361/679.26, 679.27, 679.3,  
361/679.55, 679.56

See application file for complete search history.

(56) **References Cited**

**U.S. PATENT DOCUMENTS**

D277,388 S \* 1/1985 Ackeret ..... D6/300  
D338,656 S \* 8/1993 Spayde et al. .... D14/341  
D372,591 S \* 8/1996 Brunner et al. .... D6/300

D409,392 S \* 5/1999 Walters et al. .... D6/300  
D563,806 S \* 3/2008 Jeon ..... D10/65  
D563,807 S \* 3/2008 Jeon ..... D10/65  
D593,528 S \* 6/2009 Shi ..... D14/138 AB  
D595,712 S \* 7/2009 Guery et al. .... D14/341  
D611,942 S \* 3/2010 Kemery ..... D14/341  
D617,793 S \* 6/2010 Chiang et al. .... D14/341  
D619,985 S \* 7/2010 Choi et al. .... D14/138 G  
D624,896 S \* 10/2010 Park et al. .... D14/138 G  
D625,306 S \* 10/2010 Miyawaki ..... D14/341  
D630,181 S \* 1/2011 Xiao ..... D14/138 AA  
D645,036 S \* 9/2011 Jones et al. .... D14/341

\* cited by examiner

*Primary Examiner* — Barbara Fox

(74) *Attorney, Agent, or Firm* — Muncy, Geissler, Olds & Lowe, PLLC

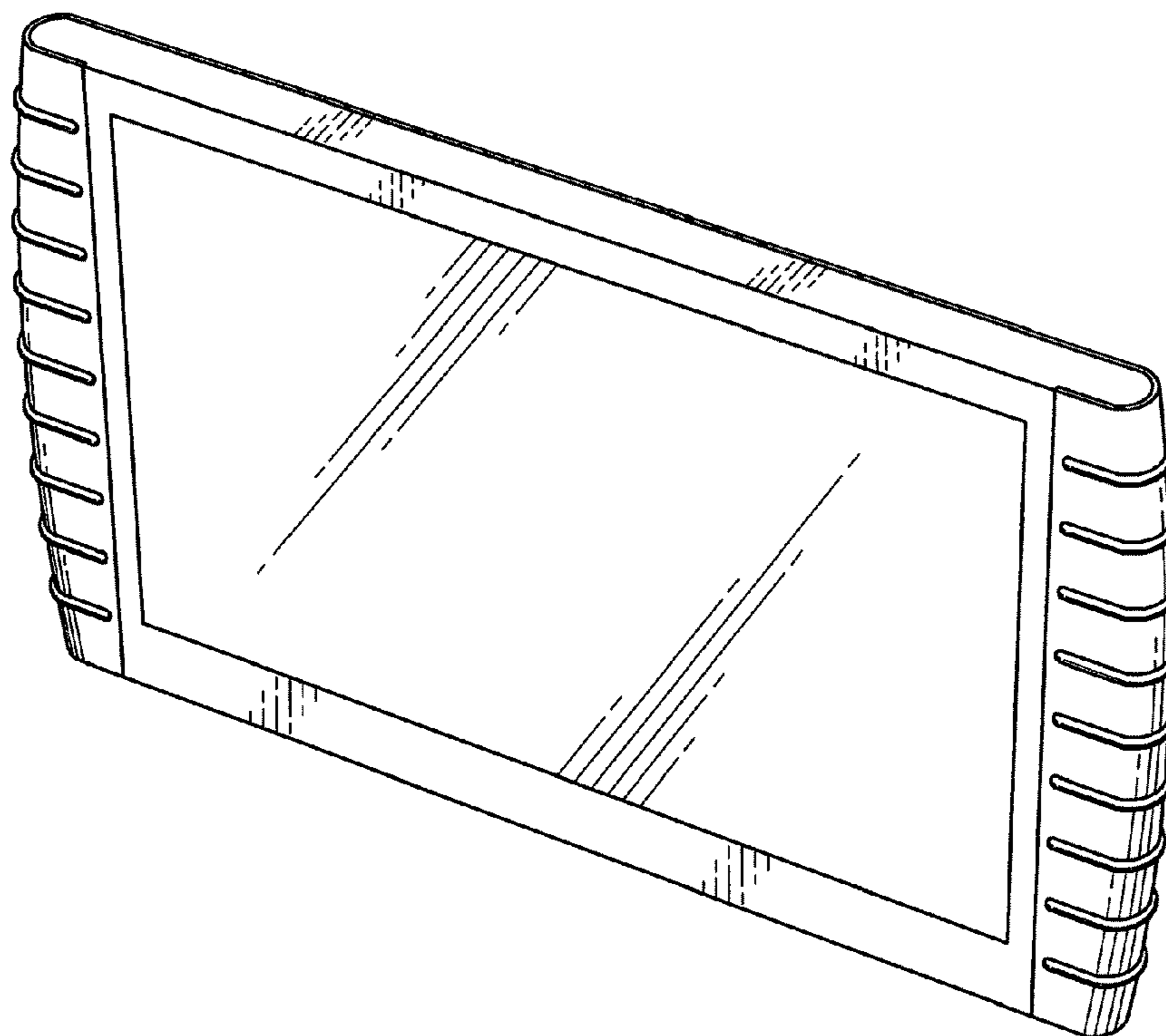
(57) **CLAIM**

The ornamental design for a tablet PC, as shown and described.

**DESCRIPTION**

FIG. 1 is a front perspective view of a tablet PC showing the design;  
FIG. 2 is a front view thereof;  
FIG. 3 is a rear view thereof;  
FIG. 4 is a left side view thereof;  
FIG. 5 is a right side view thereof;  
FIG. 6 is a top view thereof; and,  
FIG. 7 is a bottom view thereof.

**1 Claim, 7 Drawing Sheets**



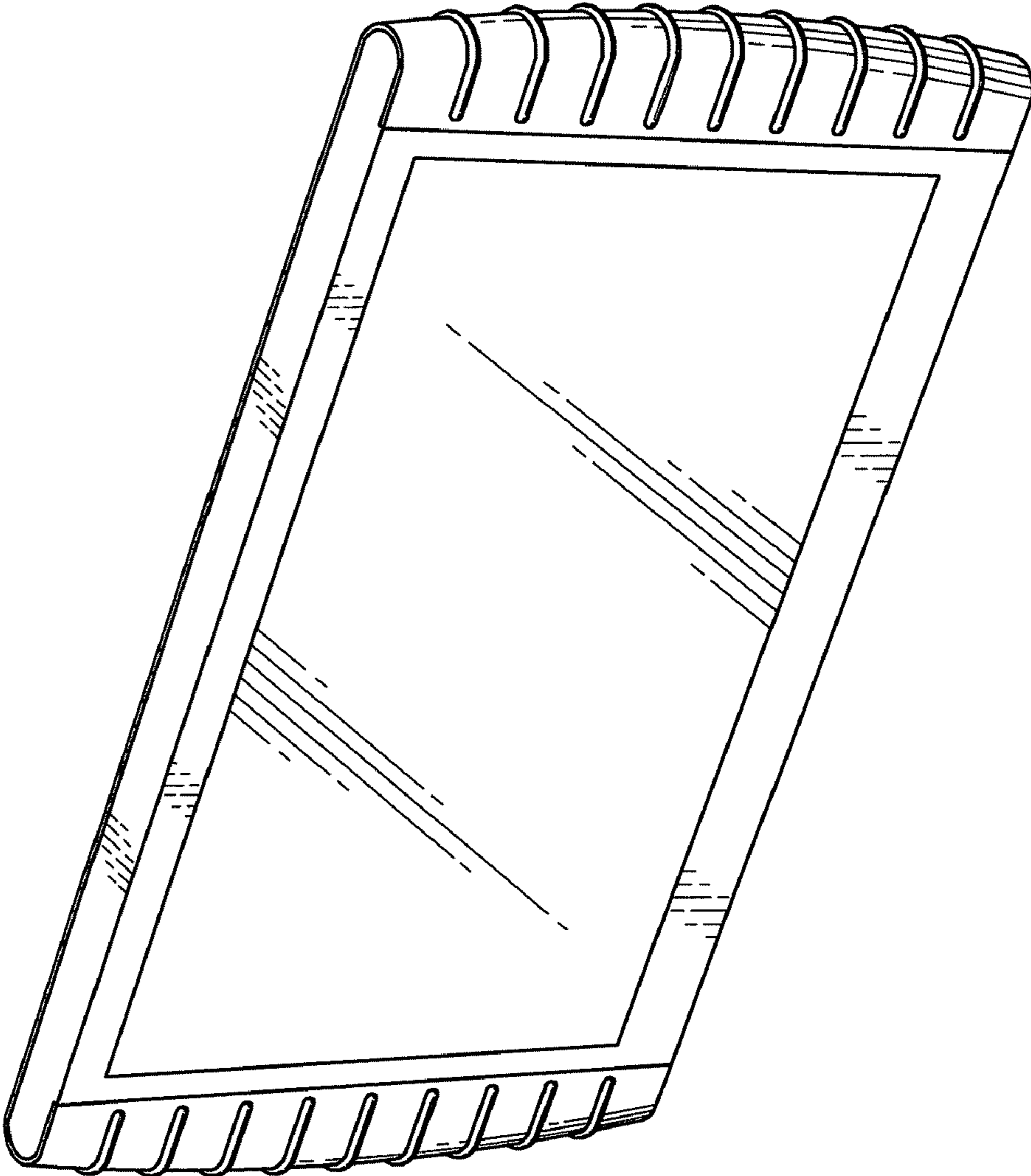


Fig. 1

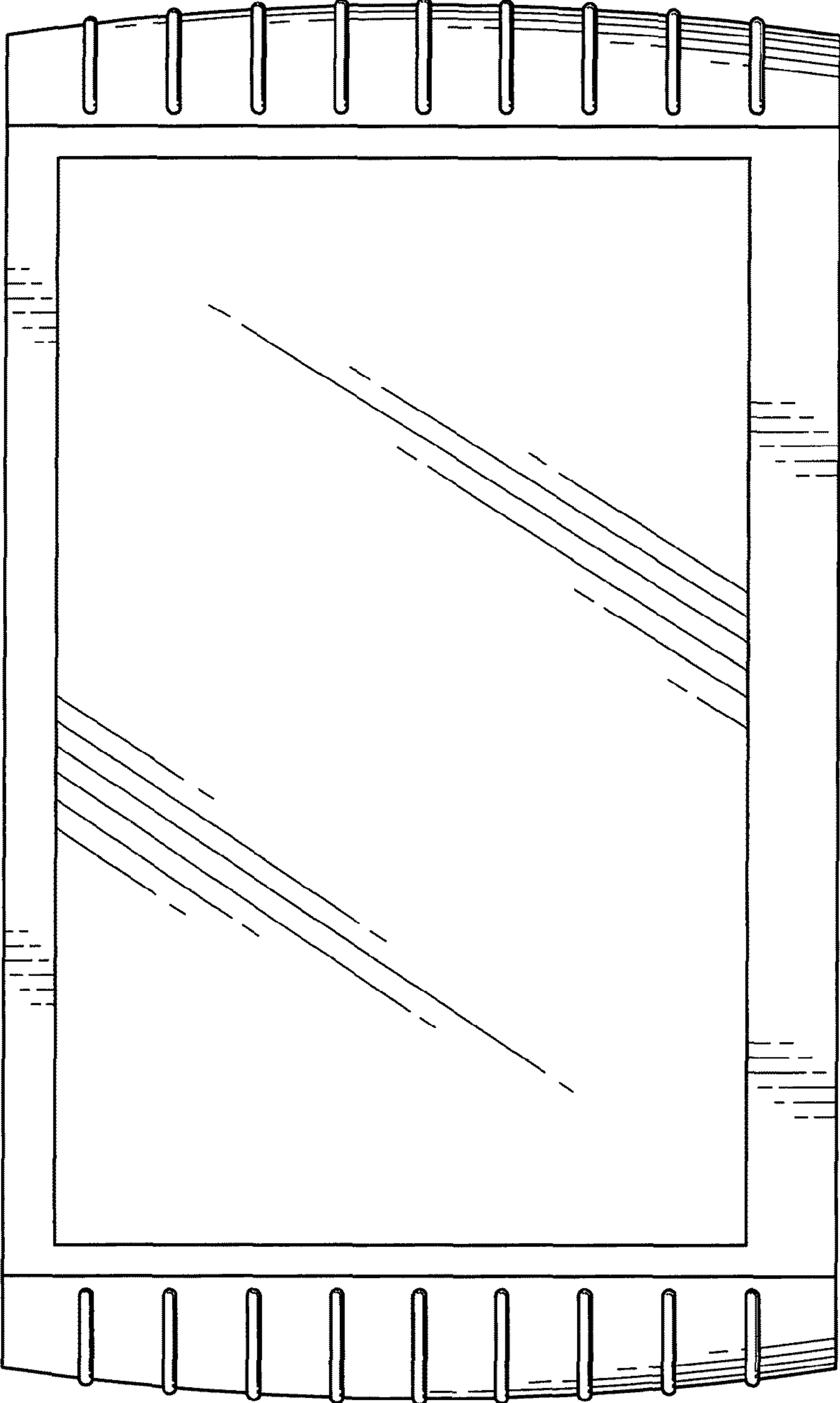


Fig. 2

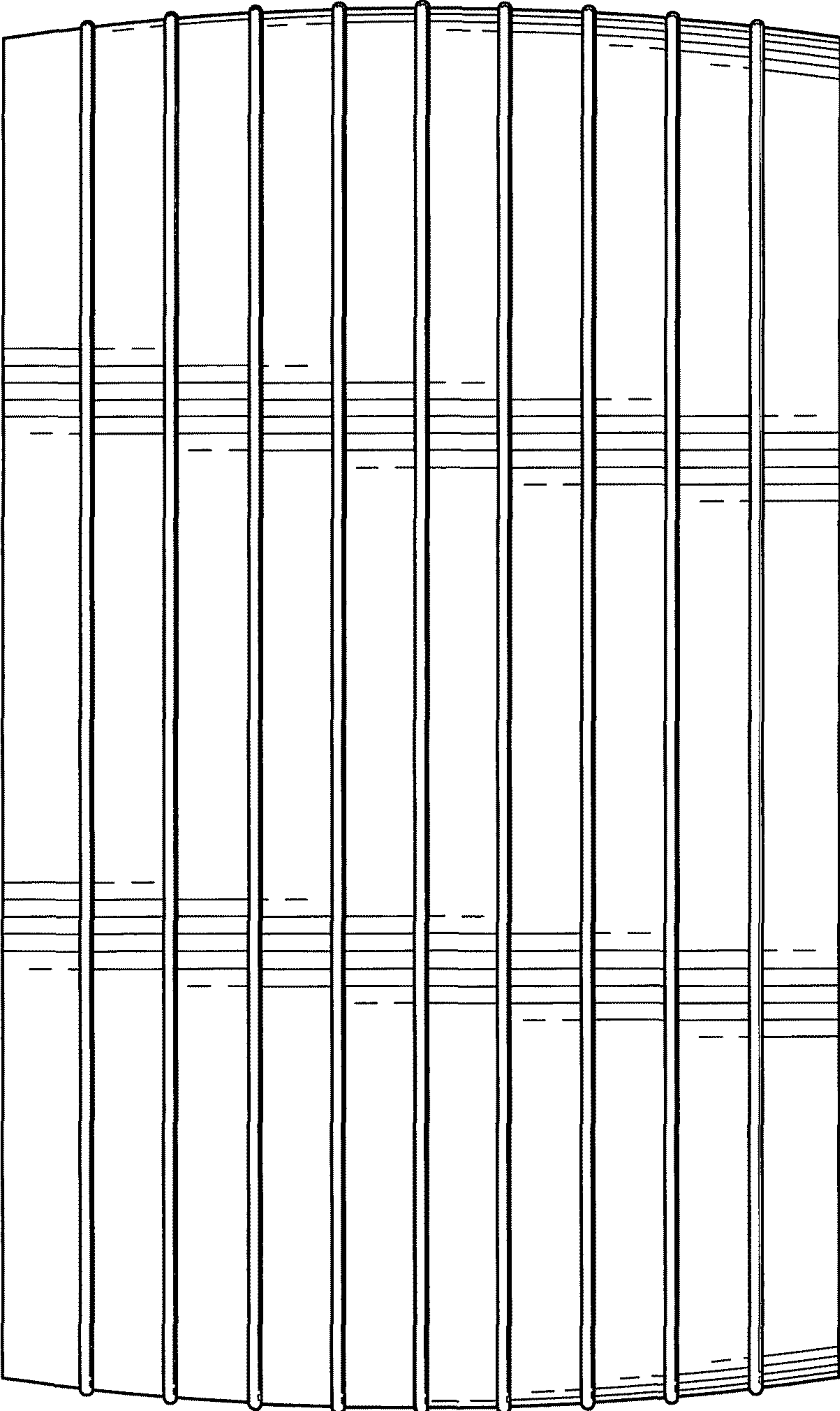


Fig. 3

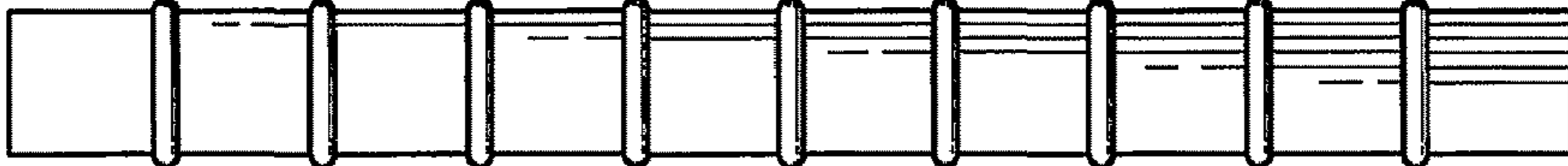


Fig. 4



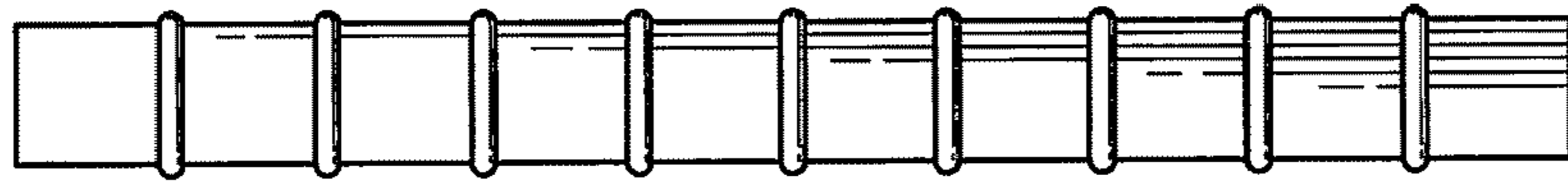


Fig. 5

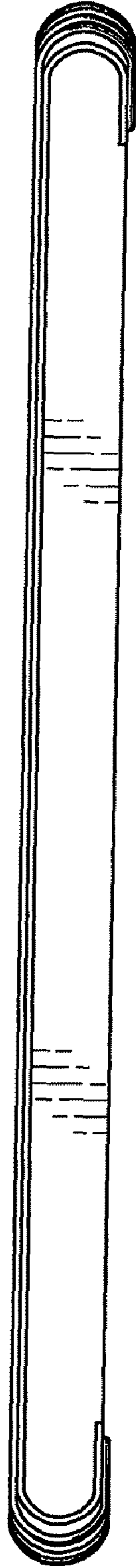


Fig. 6

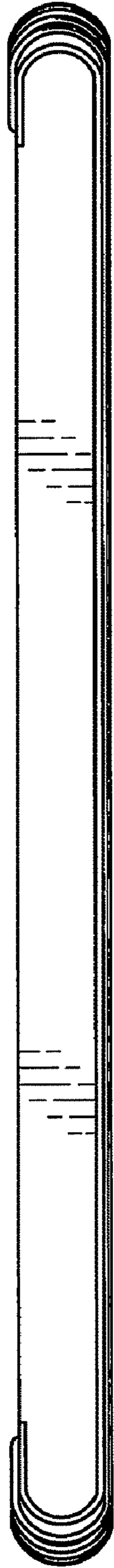


Fig. 7