



US00D649964S

(12) **United States Design Patent**
Chikuma et al.

(10) **Patent No.:** **US D649,964 S**
(45) **Date of Patent:** **** Dec. 6, 2011**

(54) **PORTION OF AN ELECTRONIC COMPUTER**

(75) Inventors: **Keiji Chikuma**, Tokyo (JP); **Yuji Hirooka**, Irvine, CA (US)
(73) Assignee: **Kabushiki Kaisha Toshiba**, Minato-ku, Tokyo (JP)
(**) Term: **14 Years**

(21) Appl. No.: **29/384,004**

(22) Filed: **Jan. 25, 2011**

(30) **Foreign Application Priority Data**

Aug. 17, 2010 (JP) 2010-019872

(51) **LOC (9) Cl.** **14-02**

(52) **U.S. Cl.** **D14/315**

(58) **Field of Classification Search** D14/315-327;
D18/1, 2, 7, 11; 235/145 A, 145 R; 341/22,
341/23; 345/104, 156, 168, 169, 173, 87,
345/901-905; 361/679.08-679.18; 400/486-489
See application file for complete search history.

(56) **References Cited**

U.S. PATENT DOCUMENTS

D246,625	S	*	12/1977	Becker, III	D8/403
D301,953	S	*	7/1989	Evenson	D6/491
5,401,091	A	*	3/1995	Landry	312/223.1
D422,541	S	*	4/2000	Richter	D12/167
D431,772	S	*	10/2000	Tsui	D8/403
D442,182	S	*	5/2001	Oross	D14/439
D574,382	S	*	8/2008	Tsukahara	D14/432
D578,537	S	*	10/2008	Tsukahara	D14/439

FOREIGN PATENT DOCUMENTS

JP	1257169	12/2005
JP	1258364	12/2005
JP	1259014	12/2005
JP	1380131	2/2010

OTHER PUBLICATIONS

Durabook D. Series, pp. 1-9, printed Nov. 22, 2010 from www.durabook.com/notebooks.jsp.
Nikkei Sangyo Shinbun, News Paper XPSM1710, Dell Computer, Jun. 13, 2006.
CF-19Series, Panasonic Kabushiki Kaisha, Jan. 2010.
Intel Corporation, Intel Powered Classmate PC article from www.intel.com/pressroom/kits/classmatepc/photos.htm, printed Nov. 22, 2010.

* cited by examiner

Primary Examiner — Freda S Nunn

(74) *Attorney, Agent, or Firm* — Banner & Witcoff, Ltd

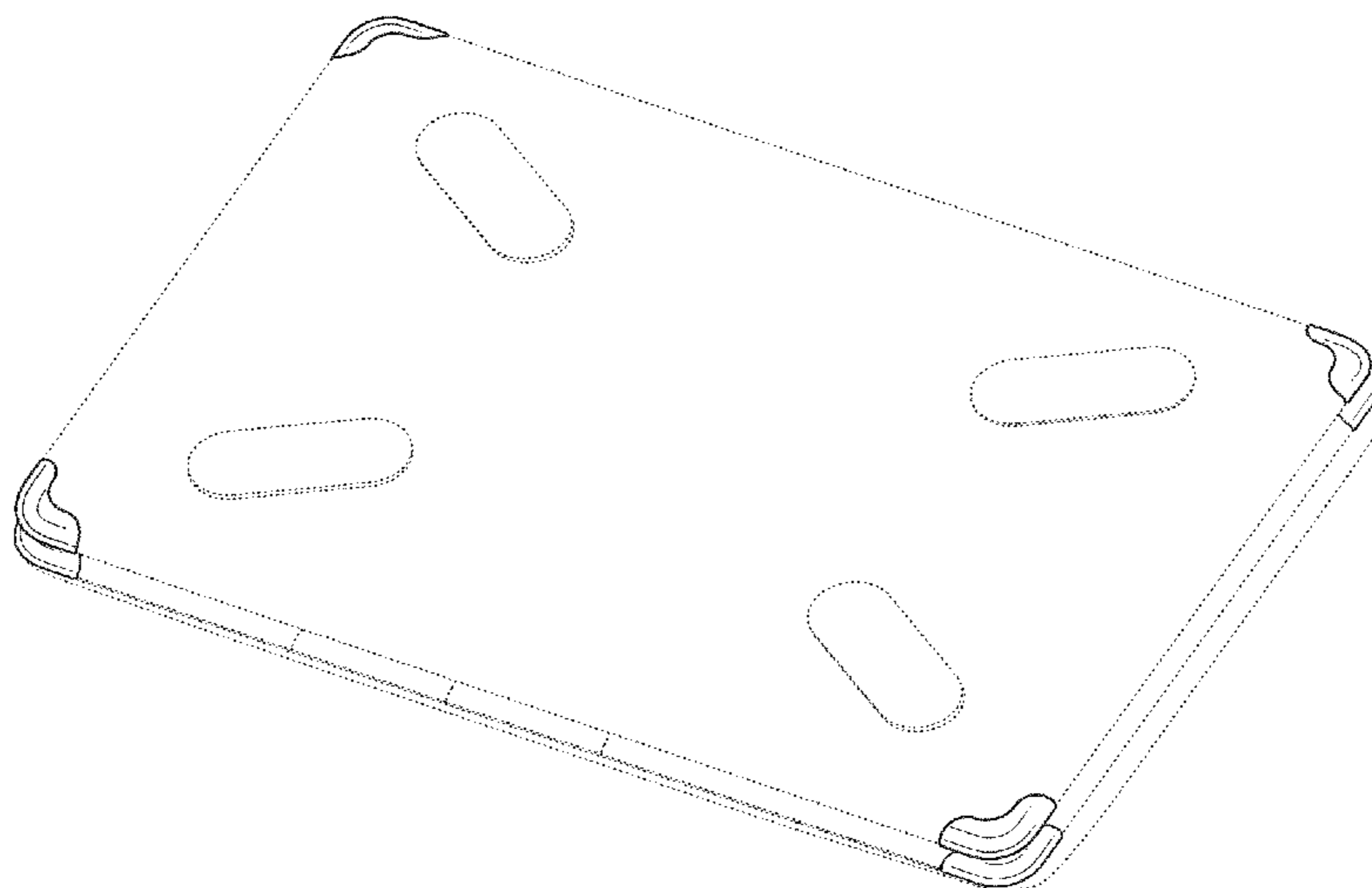
(57) **CLAIM**

The ornamental design for portion of an electronic computer, as shown and described.

DESCRIPTION

FIG. 1 is a reduced top, front and right side perspective view of portion of an electronic computer showing our new design, FIG. 2 is a perspective view showing the article in a closed position thereof, FIG. 3 is a front elevational view thereof, FIG. 4 is a rear elevational view thereof, FIG. 5 is a top plan view thereof, FIG. 6 is a bottom plan view thereof, FIG. 7 is a right side elevational view thereof, FIG. 8 is a left side elevational view thereof, FIG. 9 is a top plan view showing the article in the closed position thereof, FIG. 10 is a front elevational view showing the article in the closed position thereof; and, FIG. 11 is a right side elevational view showing the article in the closed position thereof. Broken lines shown in the drawings illustrate portion of an electronic computer, and form no part of the claimed design.

1 Claim, 5 Drawing Sheets



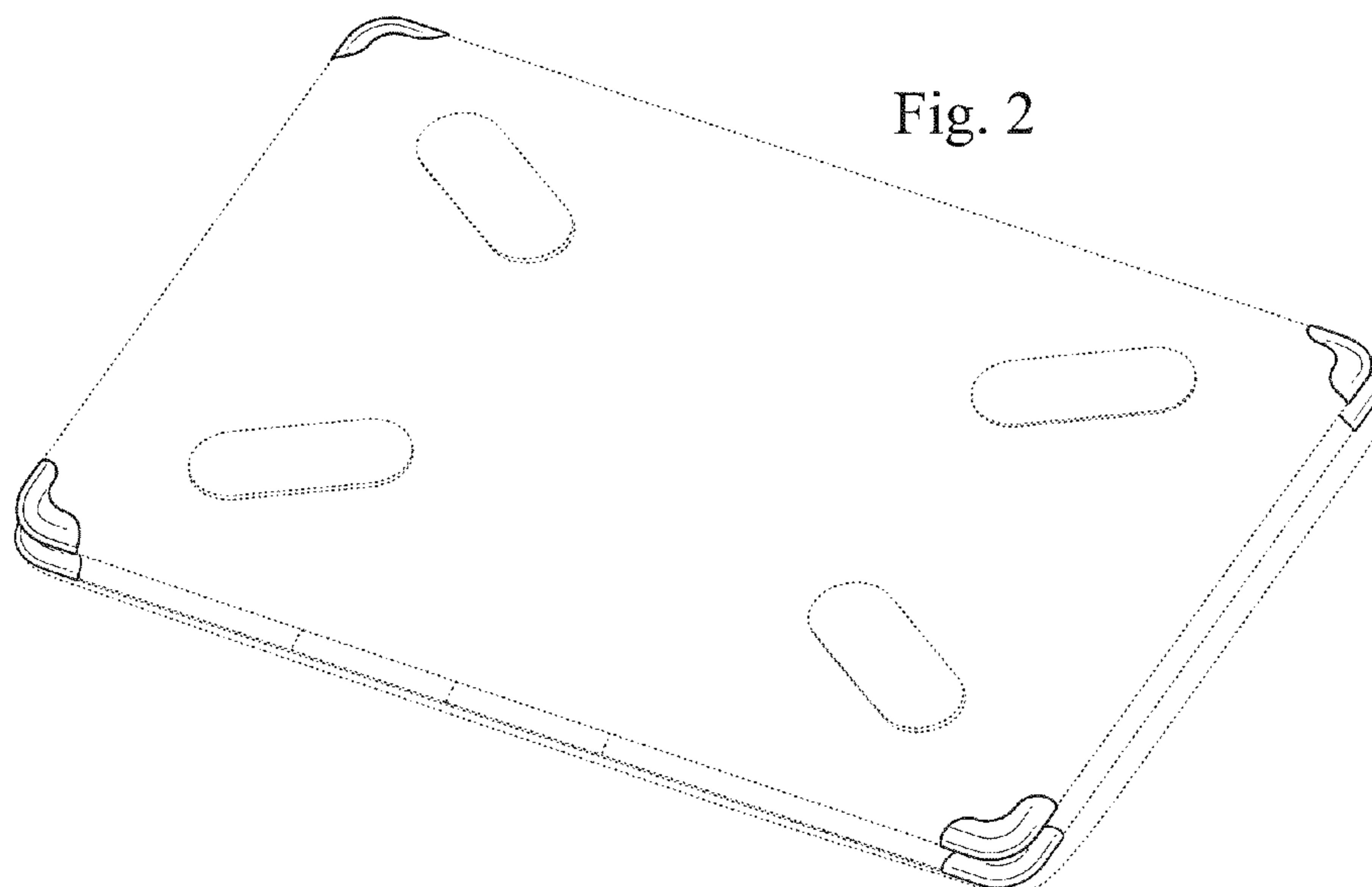
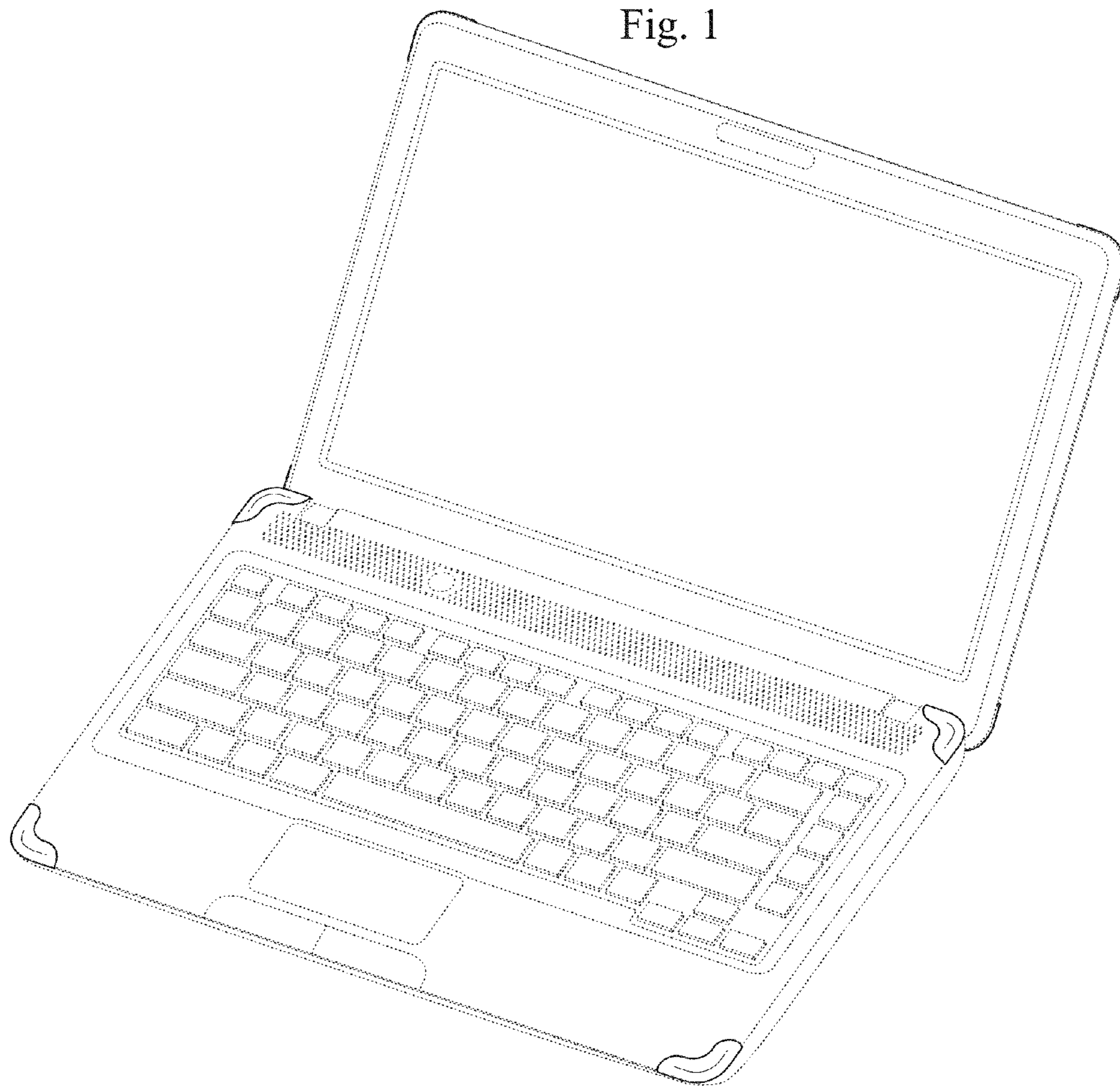


Fig. 3

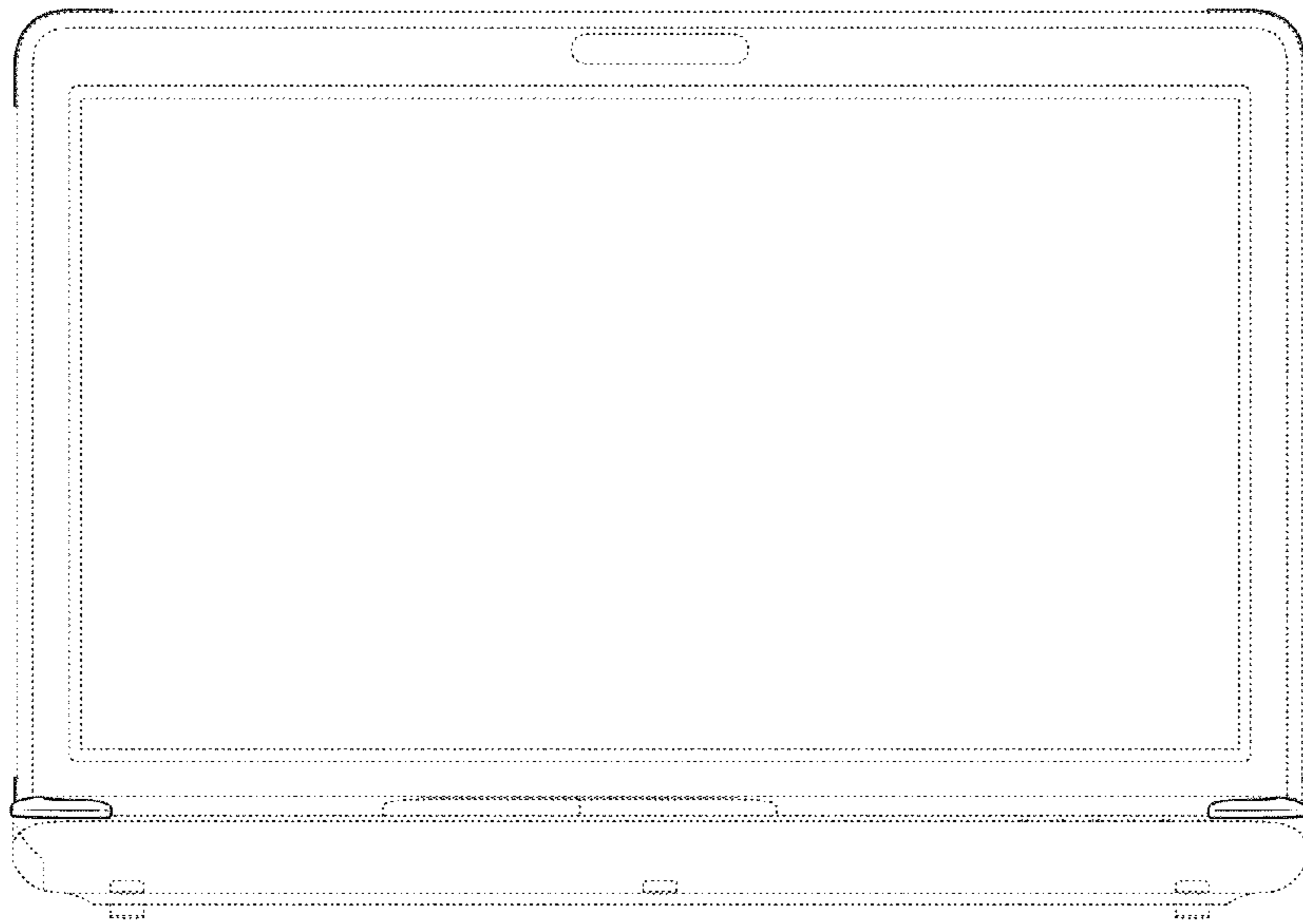


Fig. 4

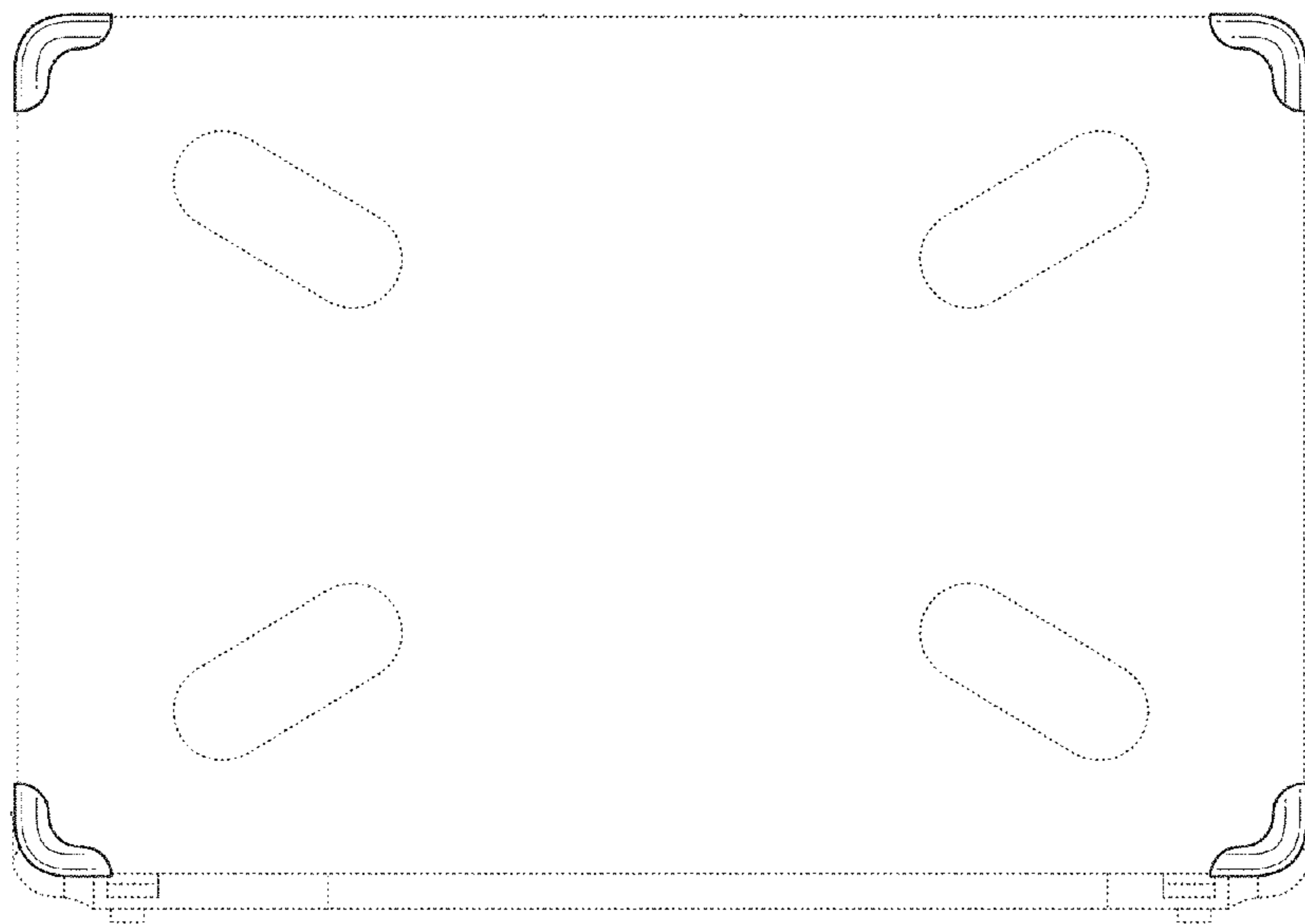


Fig. 5

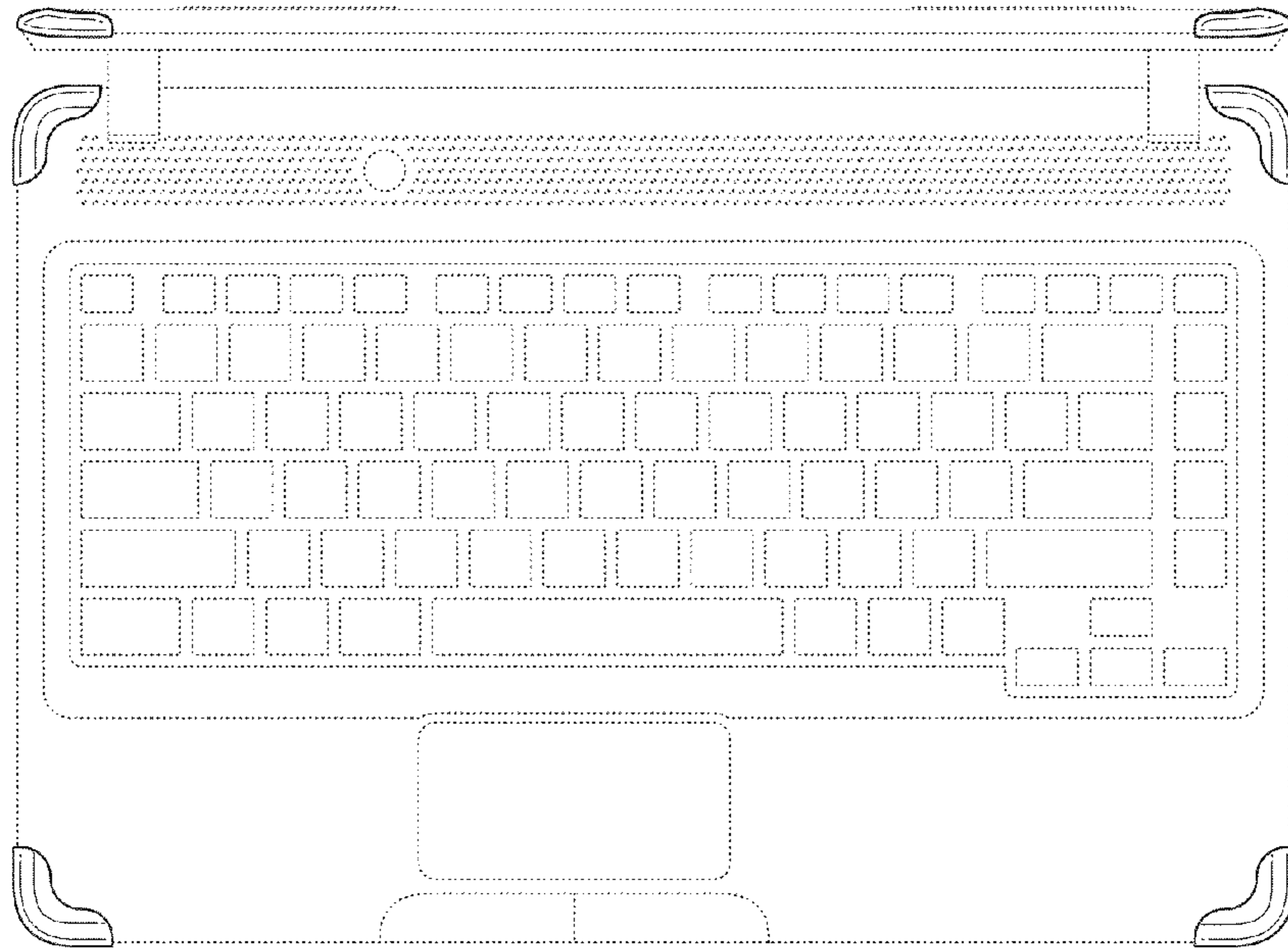


Fig. 6

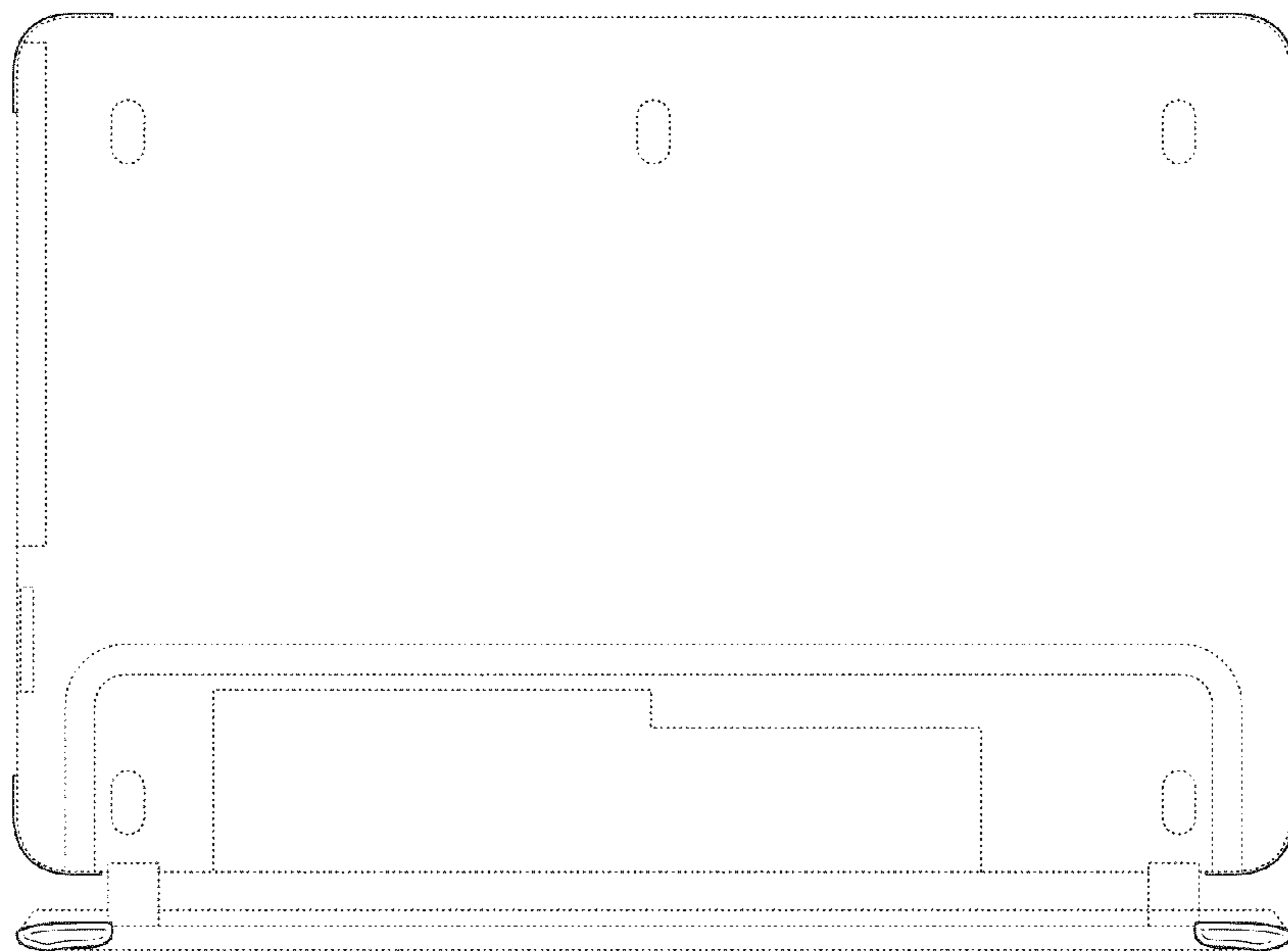


Fig. 7

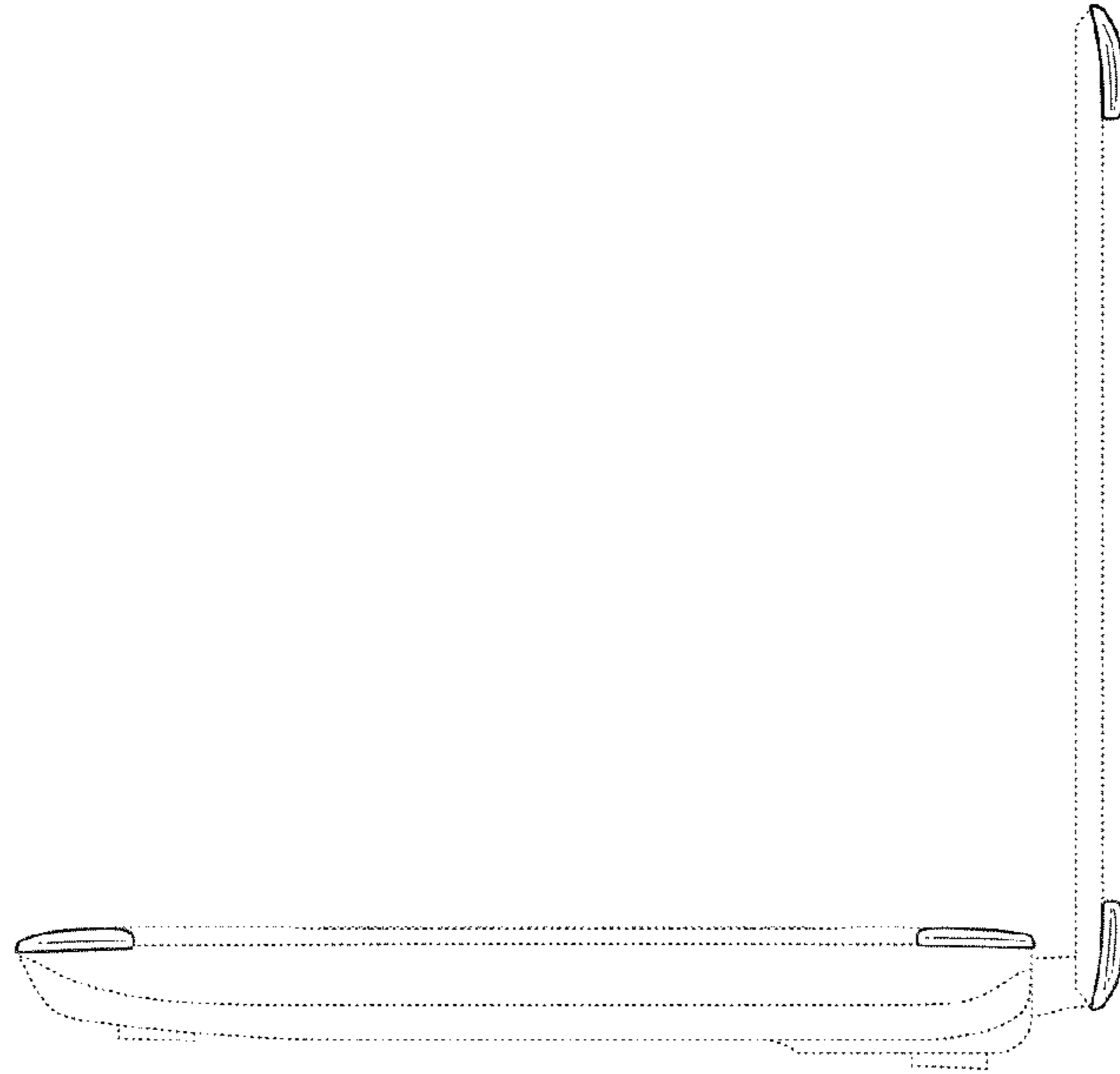


Fig. 8

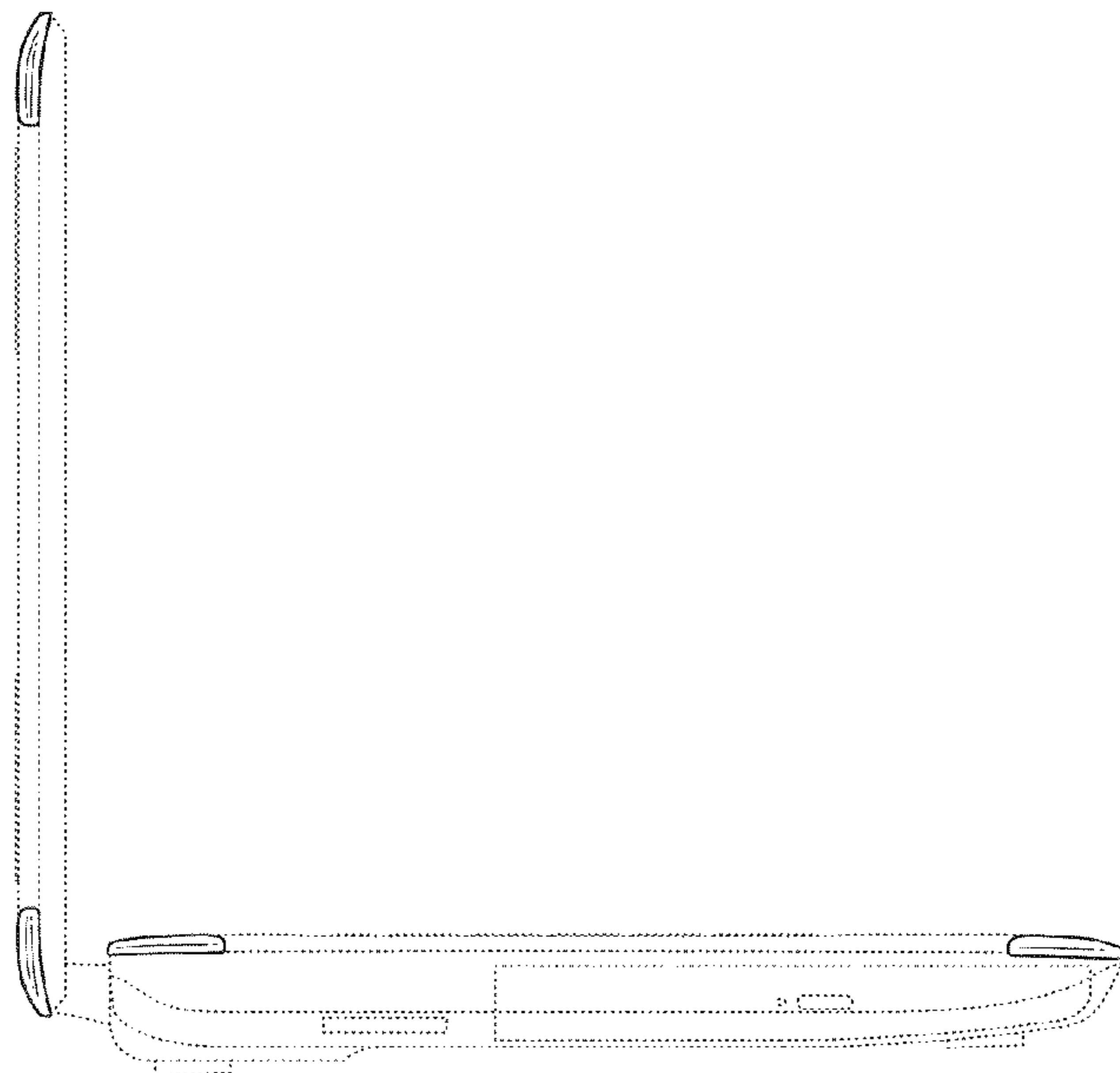


Fig. 9

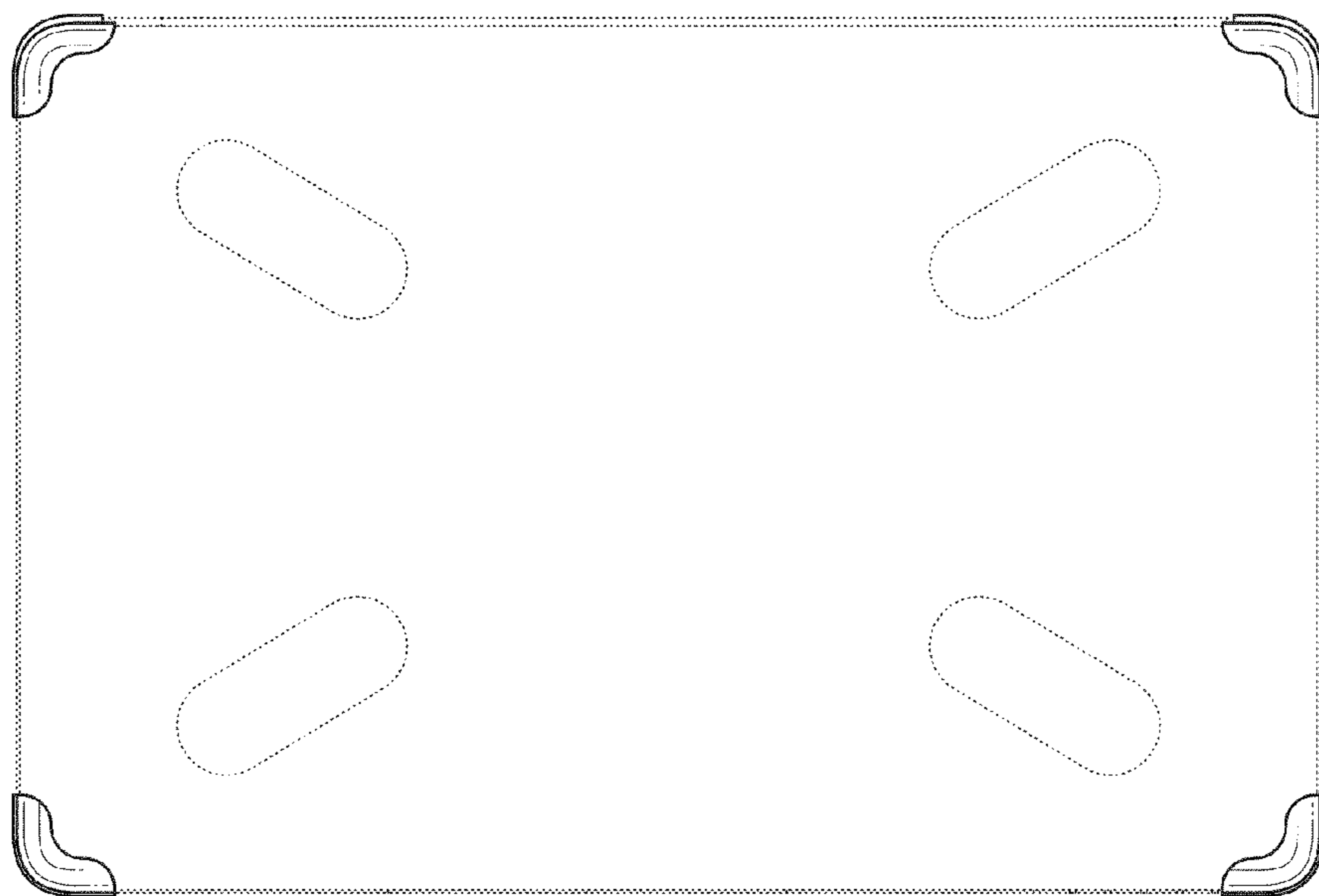


Fig. 10

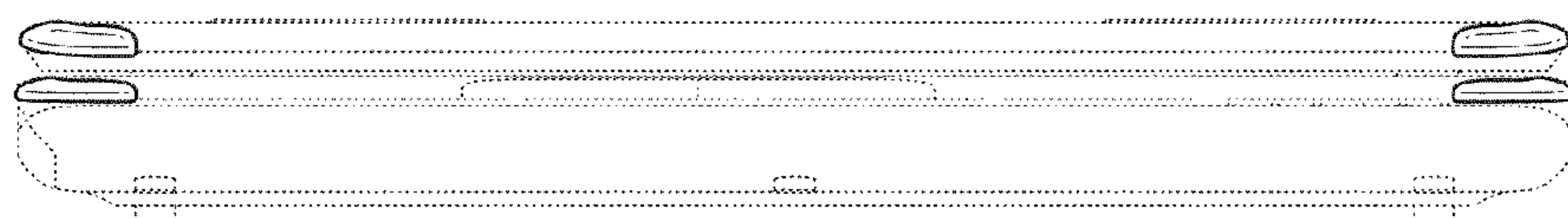


Fig. 11

