



US00D649959S

(12) **United States Design Patent**  
**Kim et al.**

(10) **Patent No.:** **US D649,959 S**  
(45) **Date of Patent:** **\*\* Dec. 6, 2011**

(54) **WIRELESS HEADSET**

(75) Inventors: **Young-Soo Kim**, Seoul (KR);  
**Gum-Sool Kim**, Anyang-Si (KR)

(73) Assignee: **Samsung Electronics Co., Ltd.** (KR)

(\*\*) Term: **14 Years**

(21) Appl. No.: **29/380,670**

(22) Filed: **Dec. 9, 2010**

(30) **Foreign Application Priority Data**

Oct. 29, 2010 (KR) ..... 30-2010-0047040

(51) **LOC (9) Cl.** ..... **14-01**

(52) **U.S. Cl.** ..... **D14/223**

(58) **Field of Classification Search** ..... D14/205,  
D14/206, 223, 188, 192; 181/129, 130, 135;  
379/430, 431, 428.01; 381/380, 381; 455/90.3,  
455/575.1, 575.2

See application file for complete search history.

(56) **References Cited**

**U.S. PATENT DOCUMENTS**

D303,638 S \* 9/1989 Andrews et al. .... D10/106.1  
6,922,476 B2 \* 7/2005 Nassimi ..... 381/380  
D550,215 S \* 9/2007 Udagawa et al. .... D14/223  
D553,613 S \* 10/2007 Sade et al. .... D14/223

D555,151 S \* 11/2007 Eklund ..... D14/223  
D559,836 S \* 1/2008 Lee ..... D14/223  
D566,108 S \* 4/2008 Kan ..... D14/223  
D566,692 S \* 4/2008 Sade et al. .... D14/223  
D582,897 S \* 12/2008 Christopher et al. .... D14/223  
D590,378 S \* 4/2009 Bradford ..... D14/223  
D595,272 S \* 6/2009 Kim et al. .... D14/223  
7,680,267 B2 \* 3/2010 Bradford et al. .... 379/430  
D616,873 S \* 6/2010 Olivier ..... D14/223  
D627,335 S \* 11/2010 Hou ..... D14/223  
D629,396 S \* 12/2010 Andre et al. .... D14/223

\* cited by examiner

*Primary Examiner* — Paula Greene

(74) *Attorney, Agent, or Firm* — NSIP Law

(57) **CLAIM**

The ornamental design for a wireless headset, as shown and described.

**DESCRIPTION**

FIG. 1 is a perspective view of a wireless headset;  
FIG. 2 is a front view of the wireless headset of FIG. 1;  
FIG. 3 is a rear view of the wireless headset of FIG. 1;  
FIG. 4 is a left-side view of the wireless headset of FIG. 1;  
FIG. 5 is a right-side view of the wireless headset of FIG. 1;  
FIG. 6 is a top plan view of the wireless headset of FIG. 1; and,  
FIG. 7 is a bottom plan view of the wireless headset of FIG. 1.

**1 Claim, 5 Drawing Sheets**

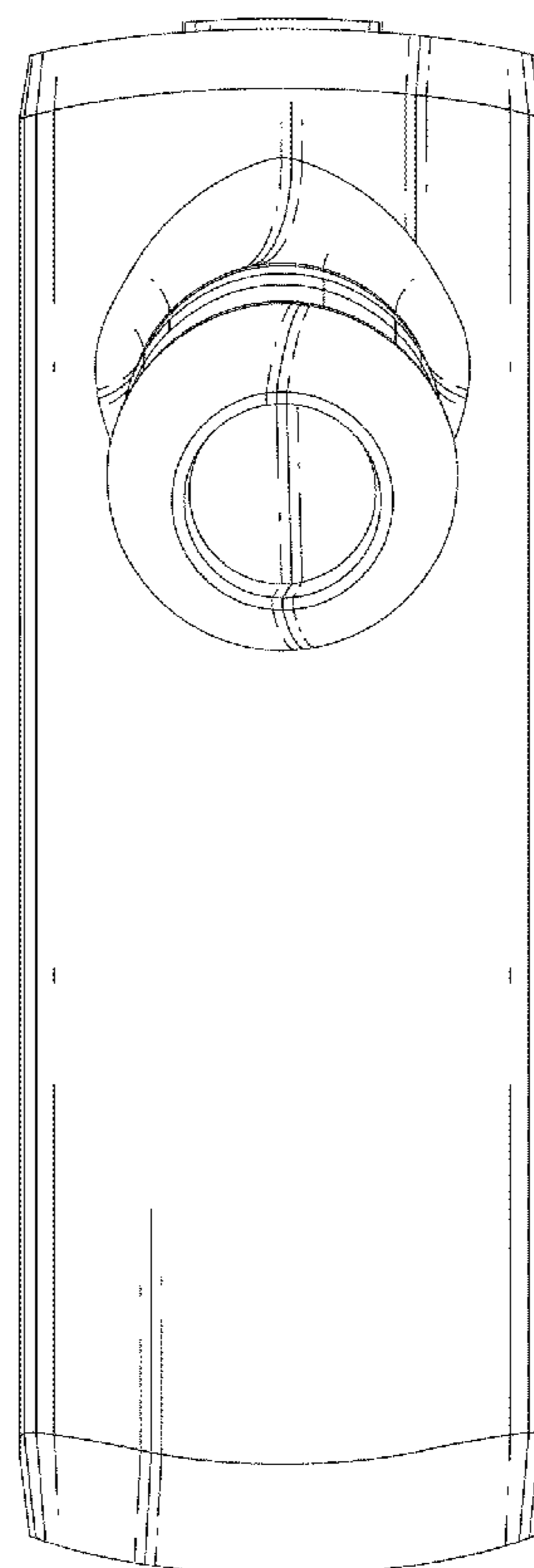
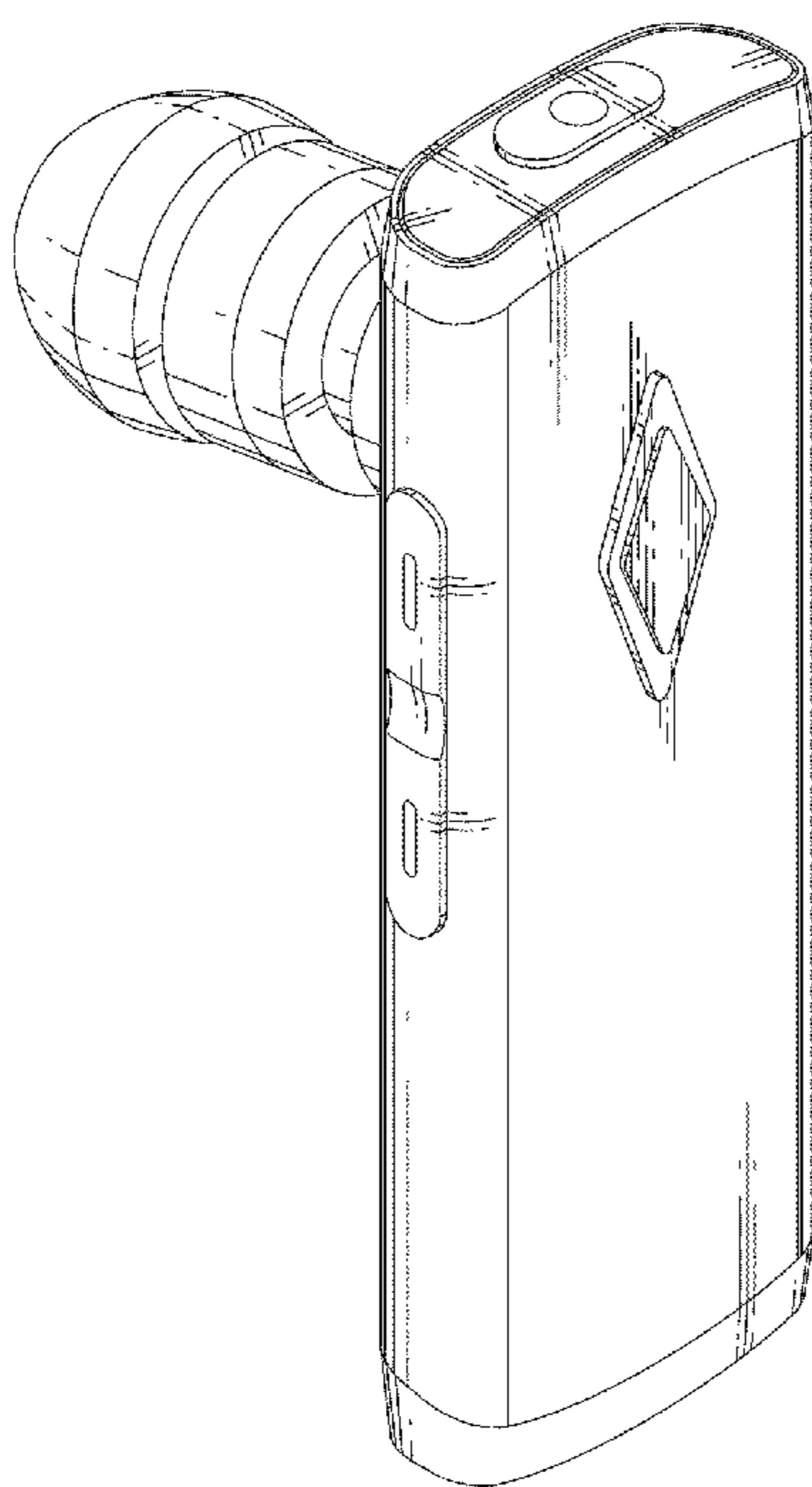


FIG. 1

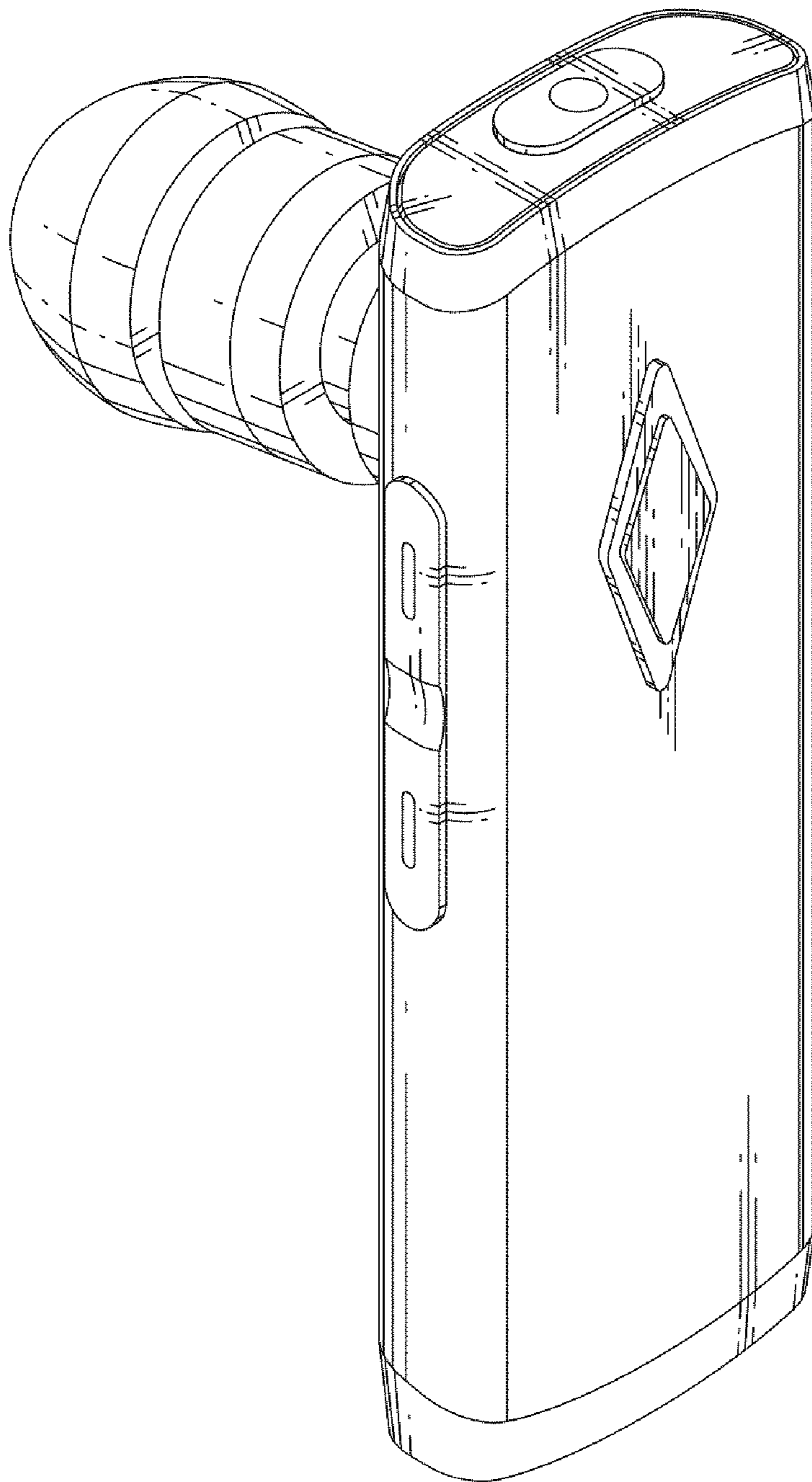


FIG. 2

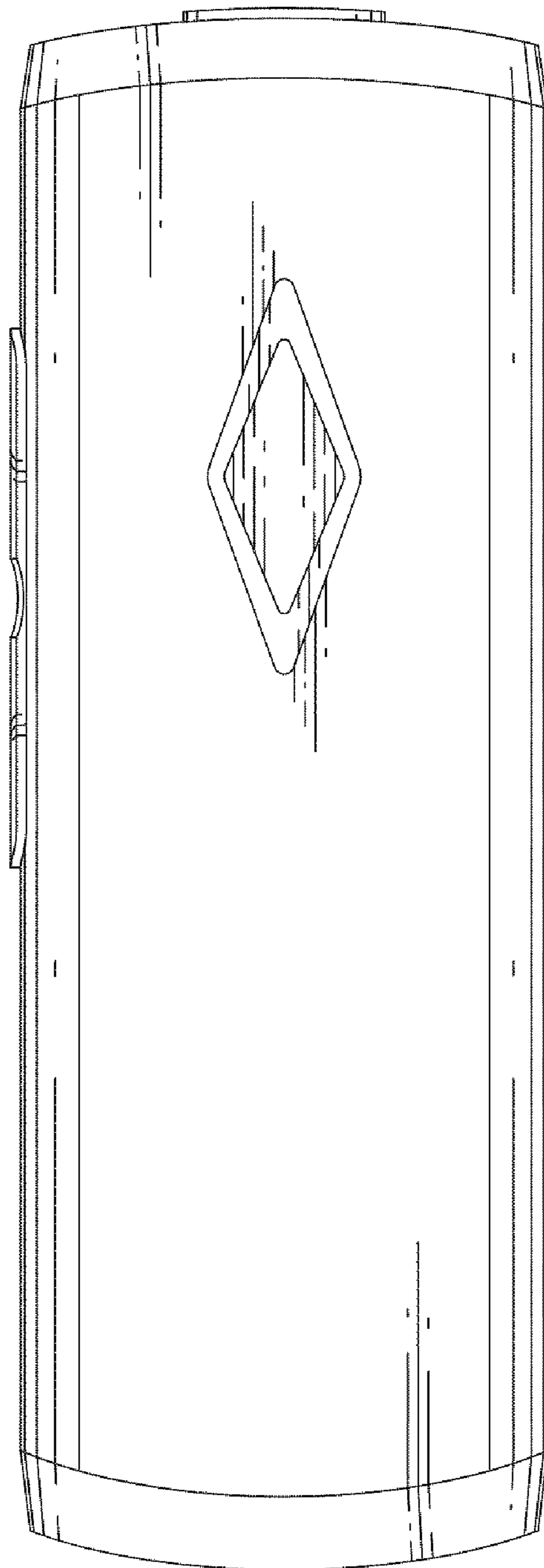


FIG. 3

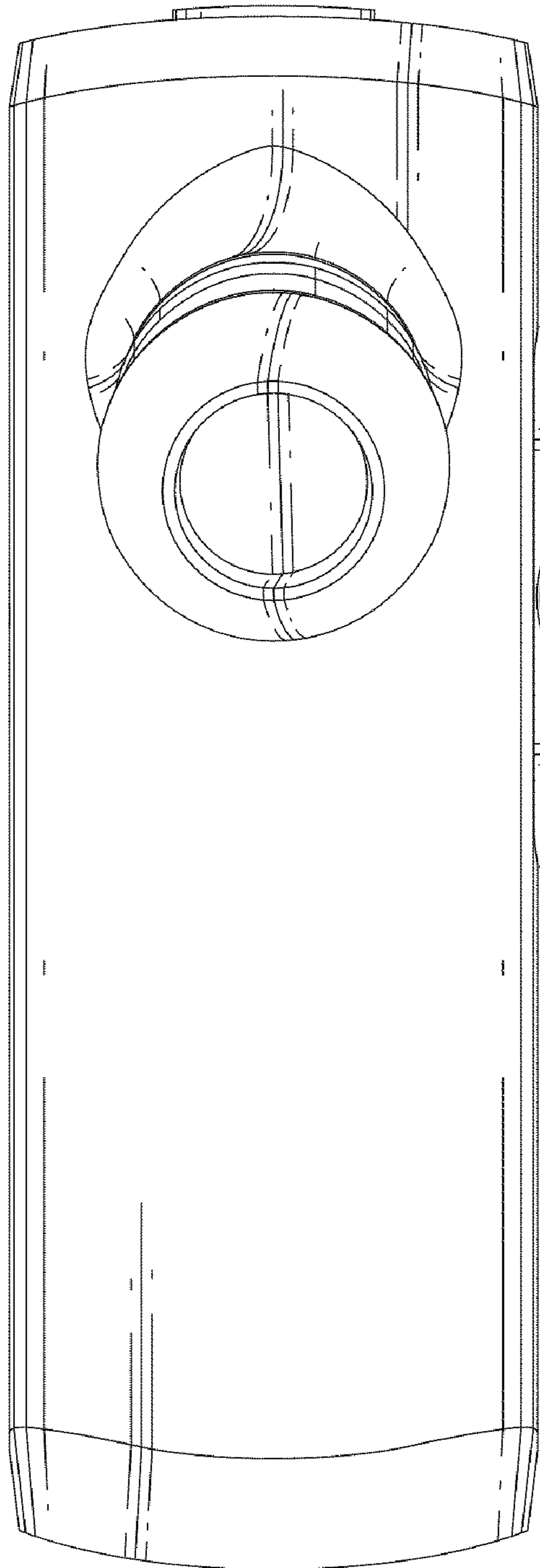


FIG. 4

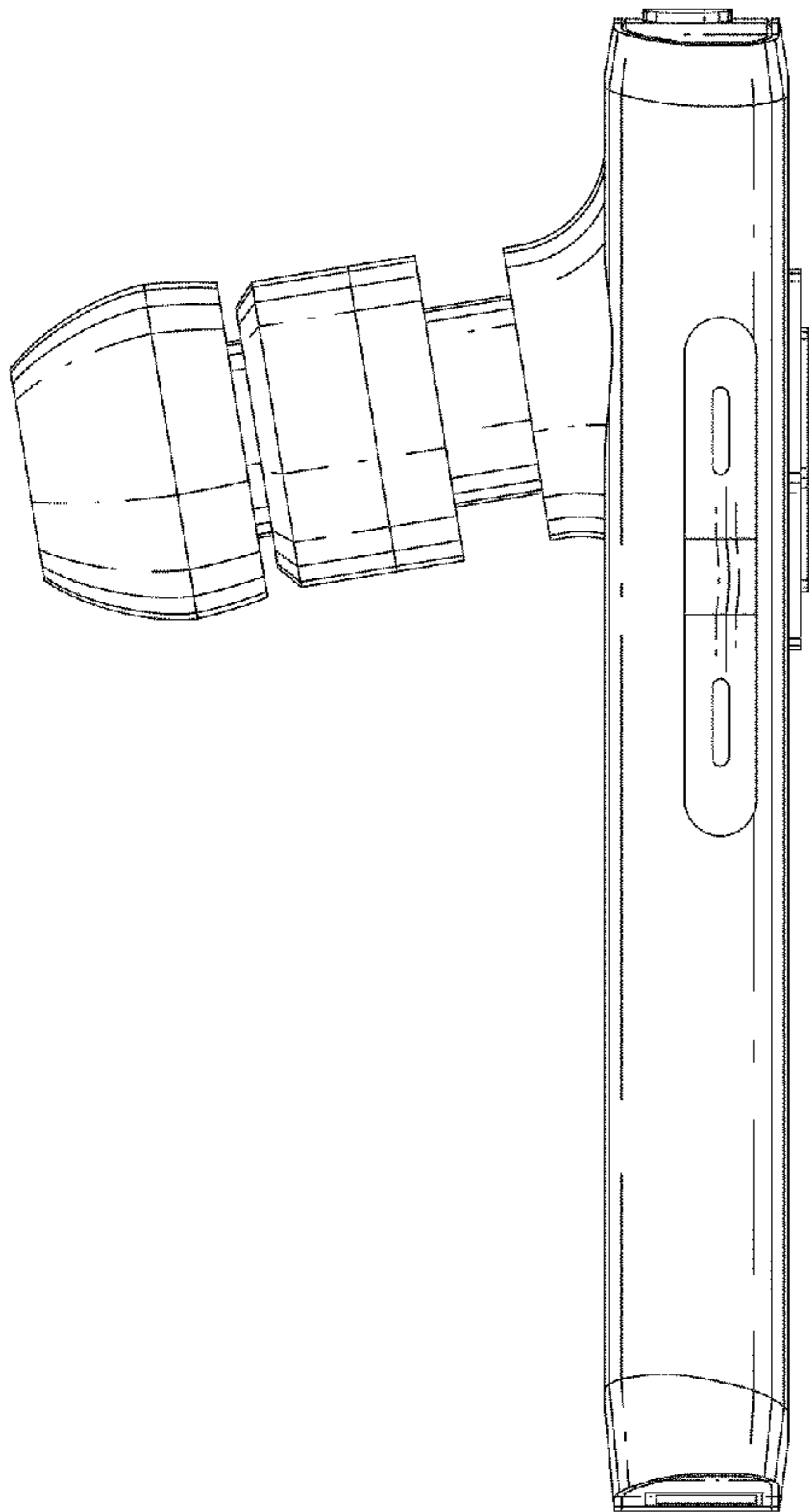


FIG. 5

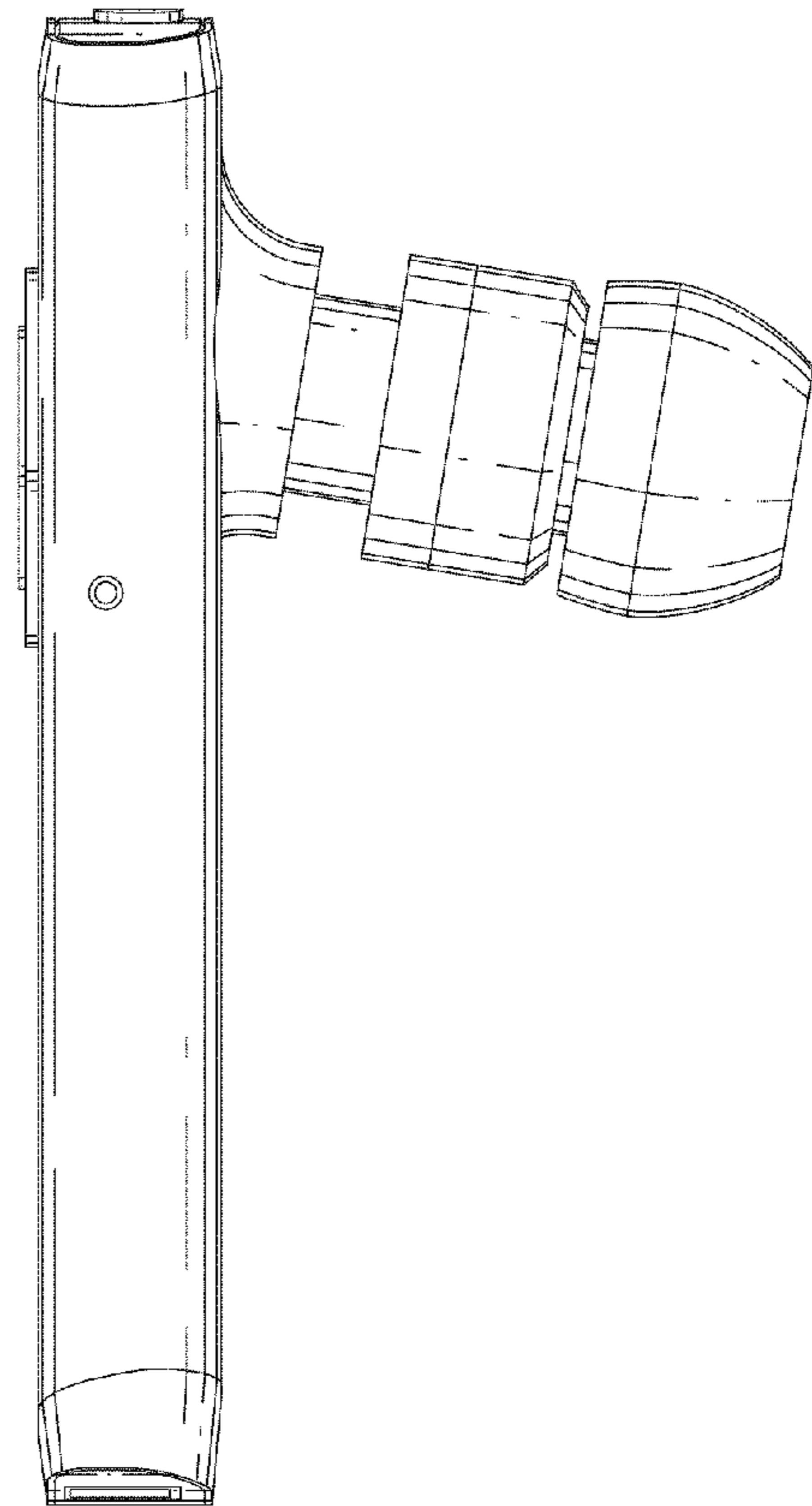


FIG. 6

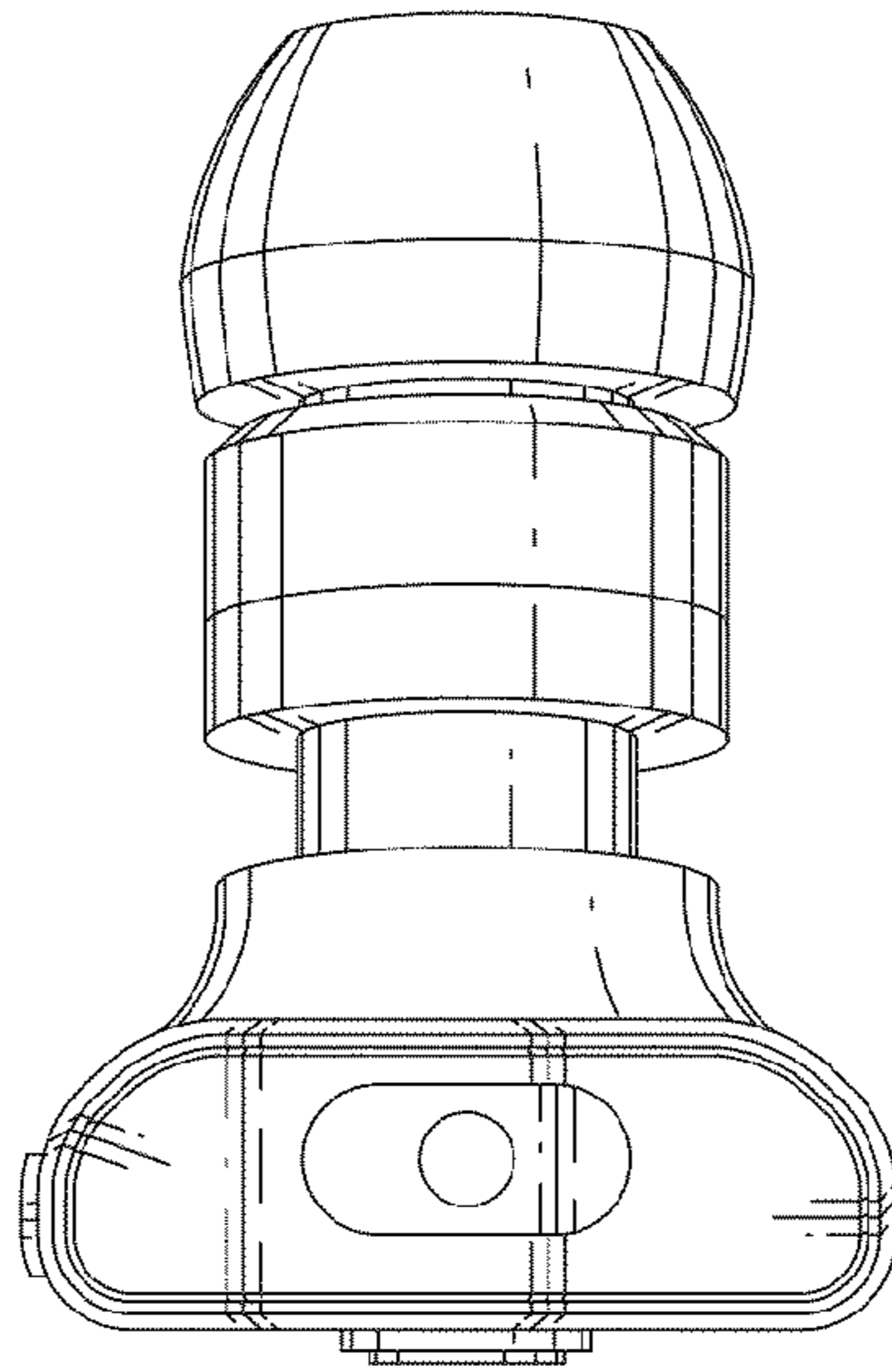


FIG. 7

