



US00D649957S

(12) **United States Design Patent**
Fahrendorff et al.

(10) **Patent No.:** **US D649,957 S**

(45) **Date of Patent:** **** Dec. 6, 2011**

(54) **HEADSET**

(75) Inventors: **Anders Fahrendorff**, Ottawa (CA);
Todd Andrew Wood, Guelph (CA)

(73) Assignee: **Research In Motion Limited**, Waterloo,
Ontario (CA)

(**) Term: **14 Years**

(21) Appl. No.: **29/368,717**

(22) Filed: **Aug. 27, 2010**

(51) **LOC (9) Cl.** **14-01**

(52) **U.S. Cl.** **D14/223**

(58) **Field of Classification Search** D14/205,
D14/206, 223; 181/129, 130, 135; 379/430,
379/431, 433.01, 428.01, 420.01; 381/380,
381/381, 374, 376, 378; 128/866, 867; 455/90.3,
455/569.1, 575.2

See application file for complete search history.

(56) **References Cited**

U.S. PATENT DOCUMENTS

D538,271 S	*	3/2007	Kim et al.	D14/223
D555,151 S	*	11/2007	Eklund	D14/223
D581,396 S	*	11/2008	Wikel et al.	D14/206
D582,897 S	*	12/2008	Christopher et al.	D14/223
D585,431 S	*	1/2009	Bradford et al.	D14/223
D588,113 S	*	3/2009	Bradford	D14/223

D590,377 S	*	4/2009	Bradford	D14/223
D597,084 S	*	7/2009	Gondo	D14/223
D598,900 S	*	8/2009	Wikel et al.	D14/223
D603,377 S	*	11/2009	Chung	D14/223
D603,378 S	*	11/2009	Paradise	D14/223
D604,722 S	*	11/2009	Mistry	D14/223
D618,221 S	*	6/2010	Fahrendorff et al.	D14/223
D620,927 S	*	8/2010	Li	D14/223
D630,620 S	*	1/2011	Lee et al.	D14/223
D636,381 S	*	4/2011	Liner	D14/223
D637,183 S	*	5/2011	March	D14/223
D637,184 S	*	5/2011	March	D14/223
D640,242 S	*	6/2011	Fahrendorff et al.	D14/223
D641,739 S	*	7/2011	Huang	D14/223

* cited by examiner

Primary Examiner — Paula Greene

(57) **CLAIM**

We claim the ornamental design for a headset, as shown and described.

DESCRIPTION

FIG. 1 is a back perspective view of a headset;
FIG. 2 is a front perspective view of the headset;
FIG. 3 is a top plan view thereof;
FIG. 4 is a bottom plan view thereof;
FIG. 5 is a left elevational view thereof;
FIG. 6 is a right elevational view thereof;
FIG. 7 is a front elevational view thereof; and,
FIG. 8 is a back elevational view thereof.

1 Claim, 4 Drawing Sheets

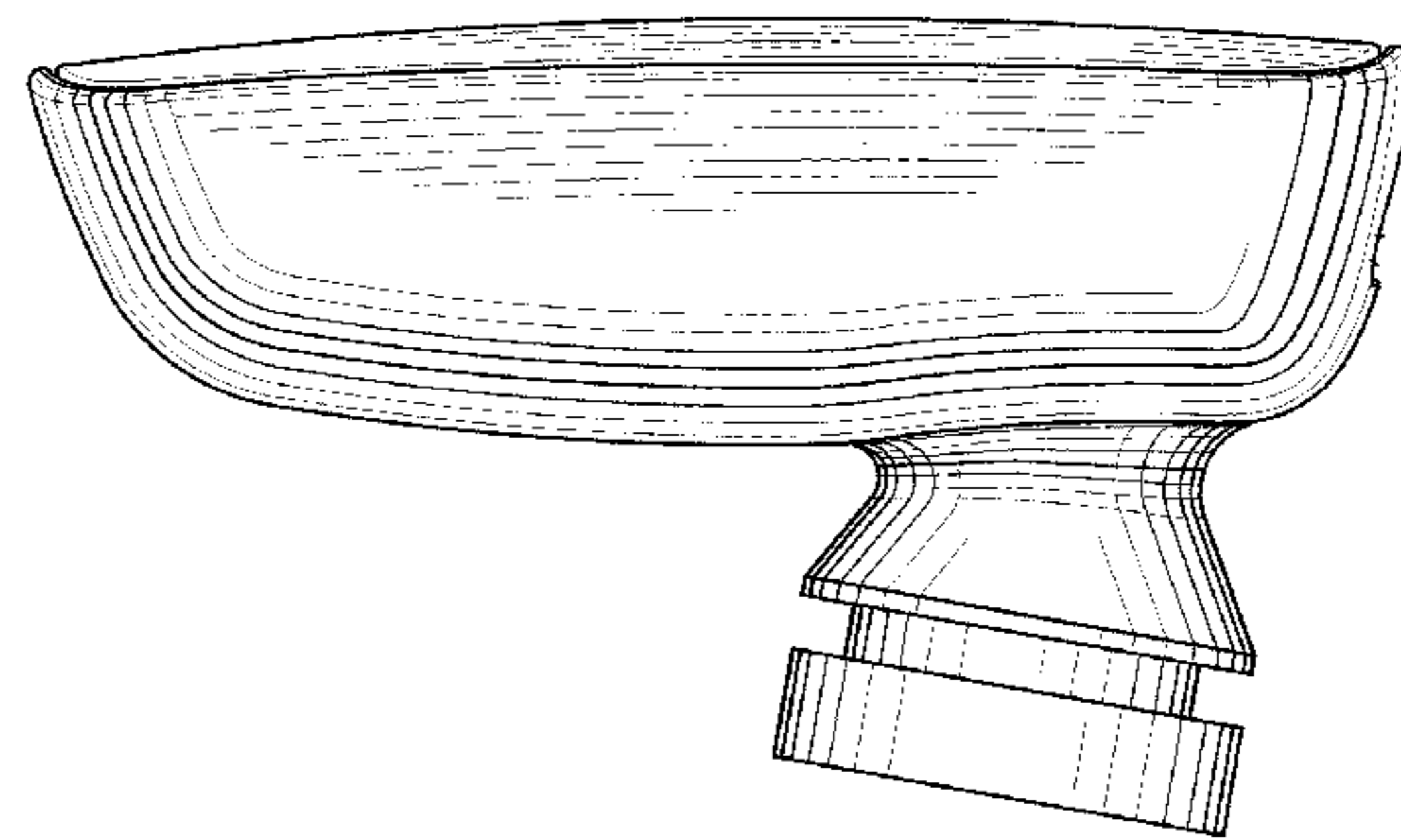
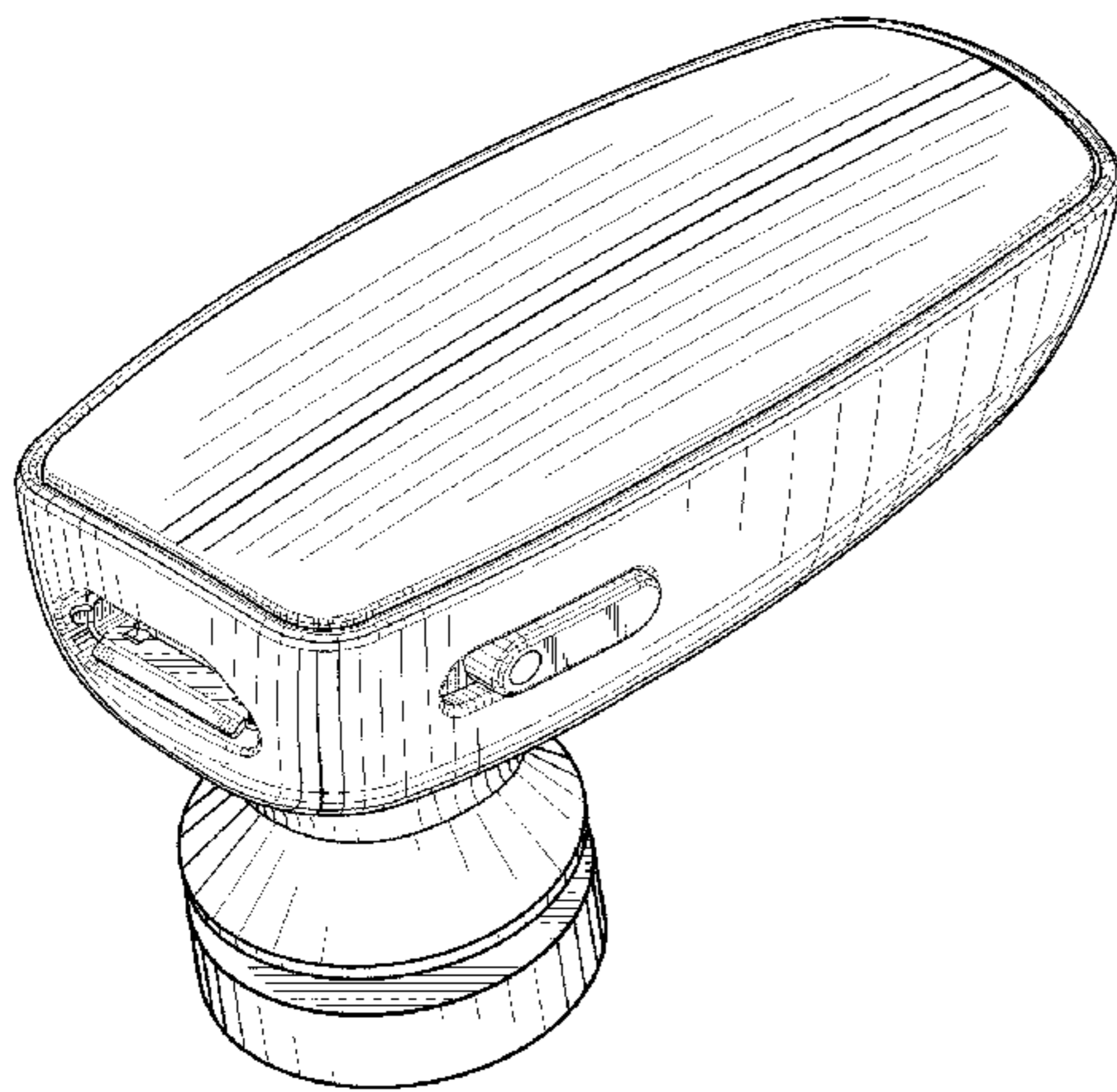


FIG.1

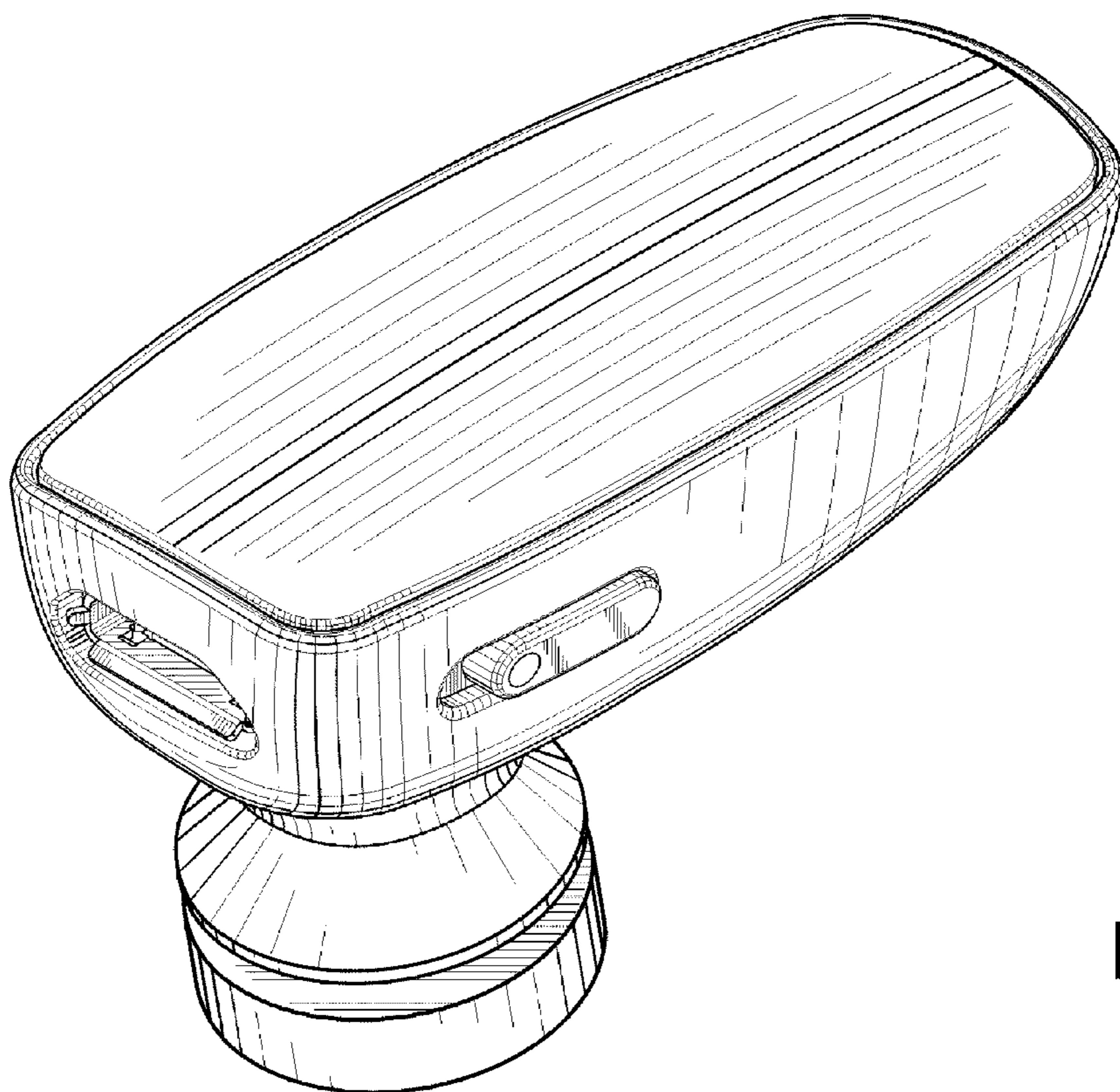
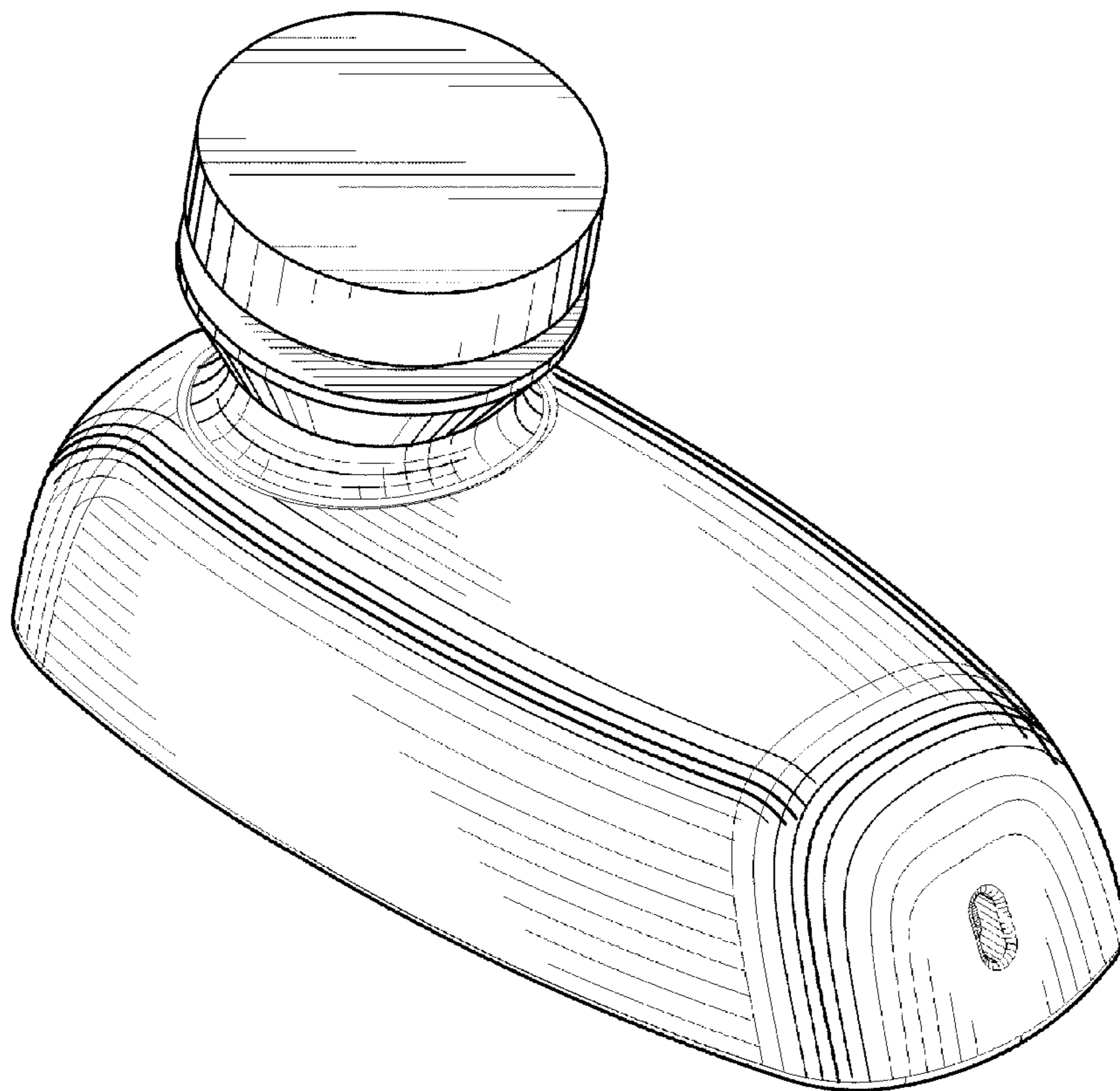


FIG.2

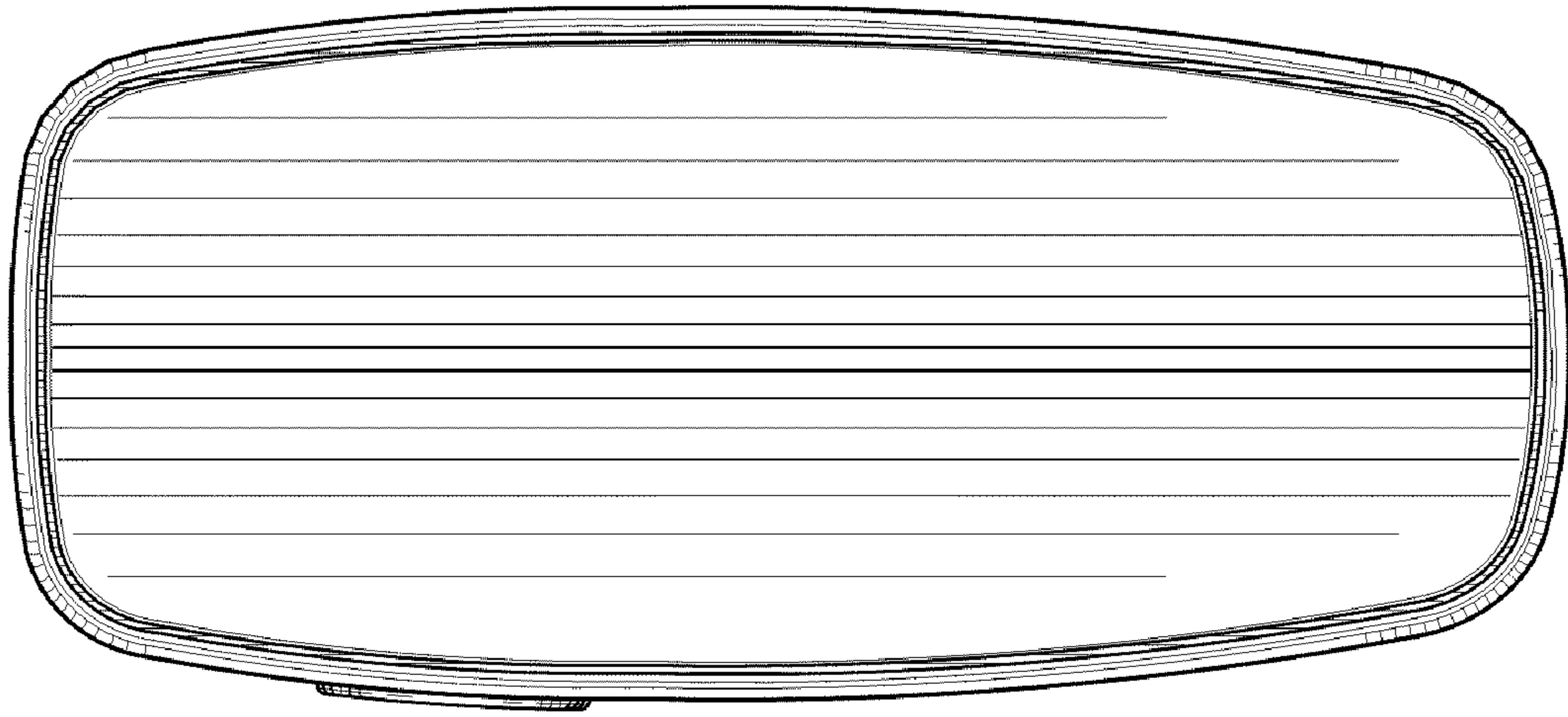


FIG. 3

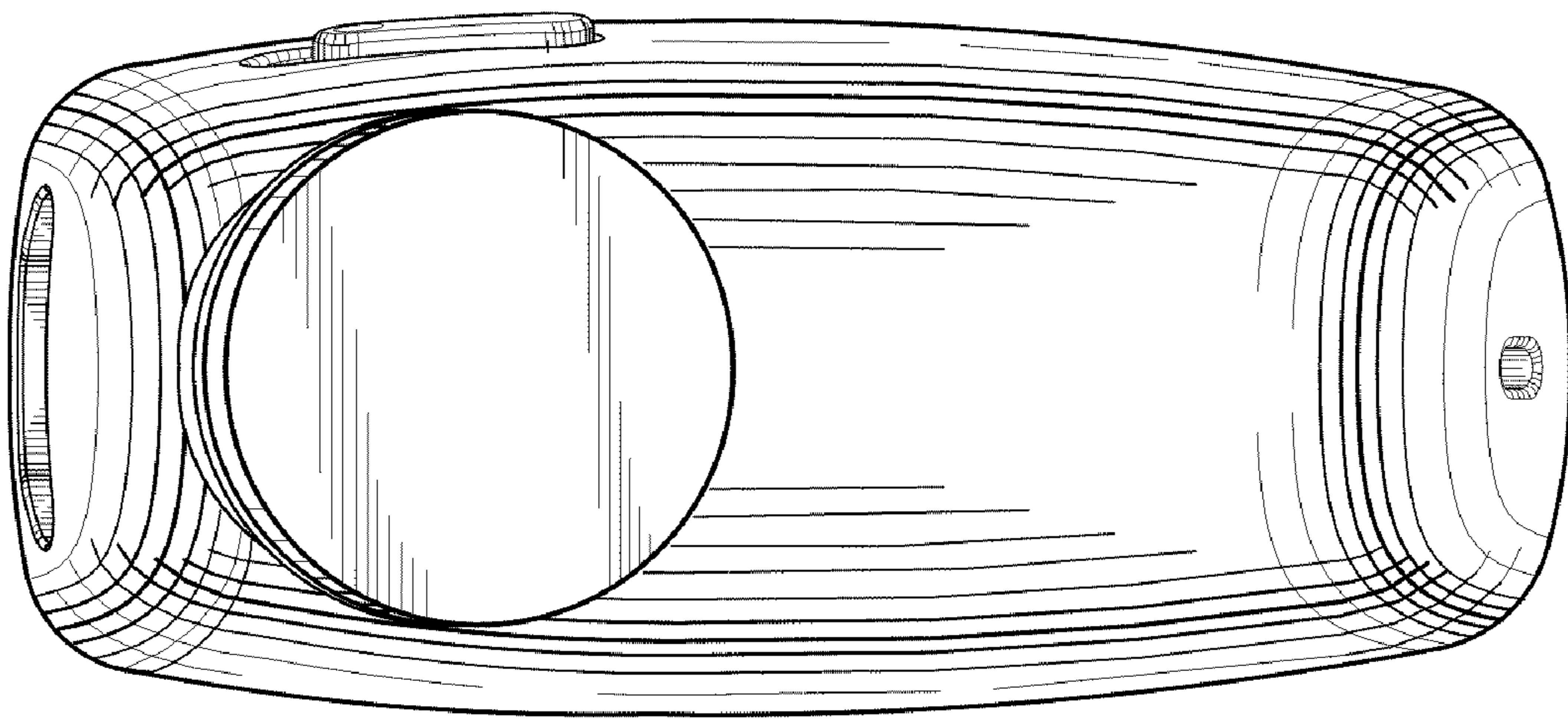


FIG. 4

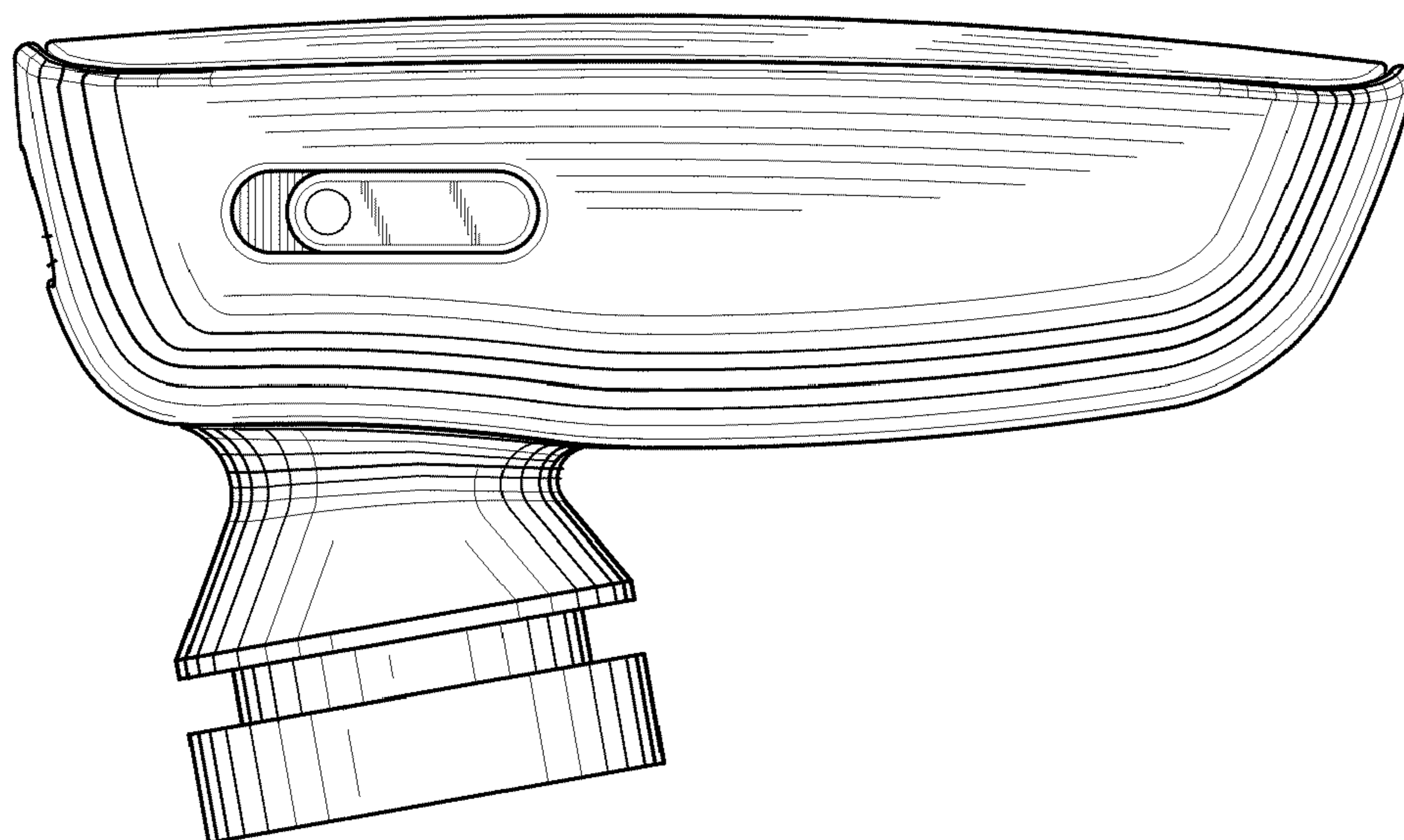


FIG.5

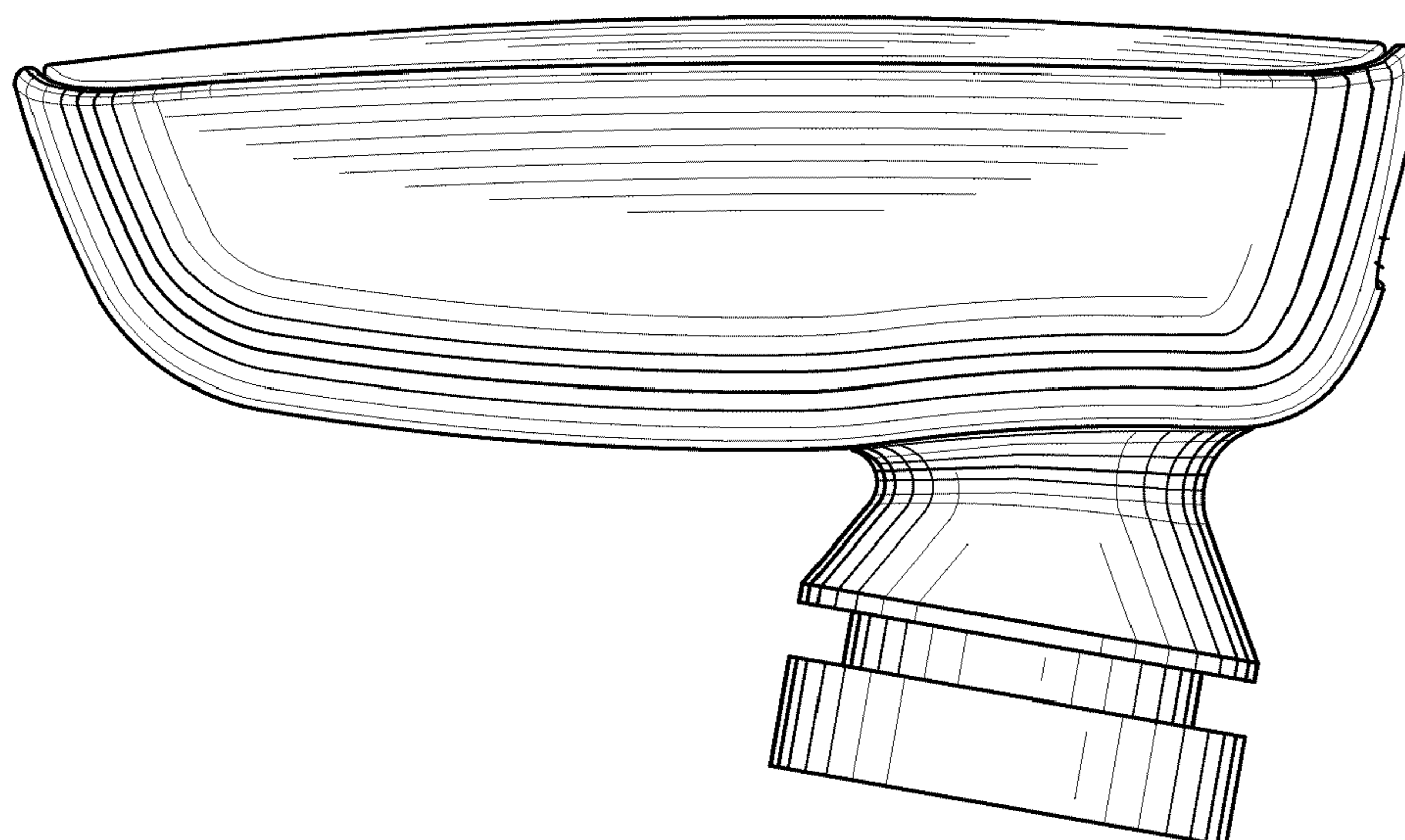


FIG.6

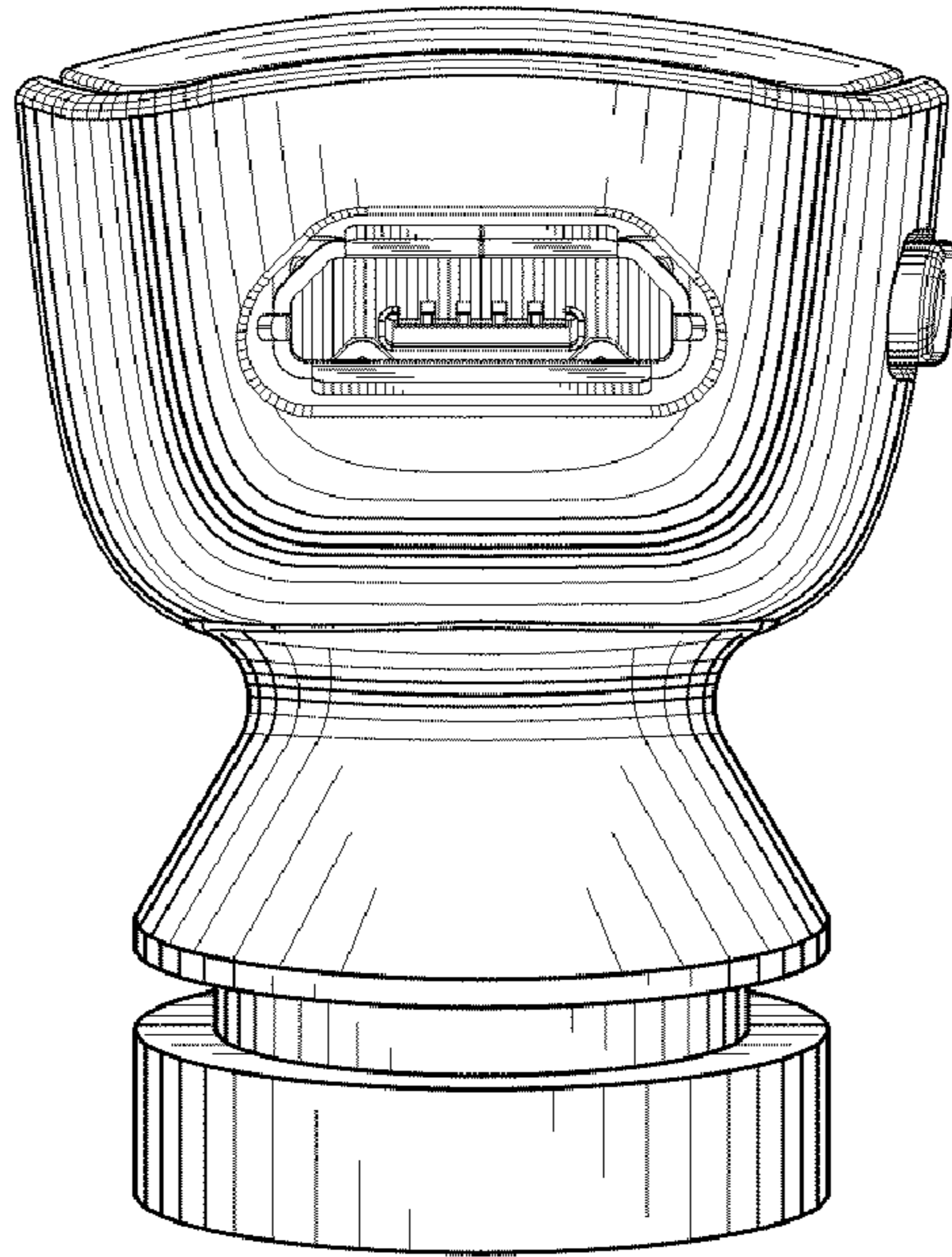


FIG. 7

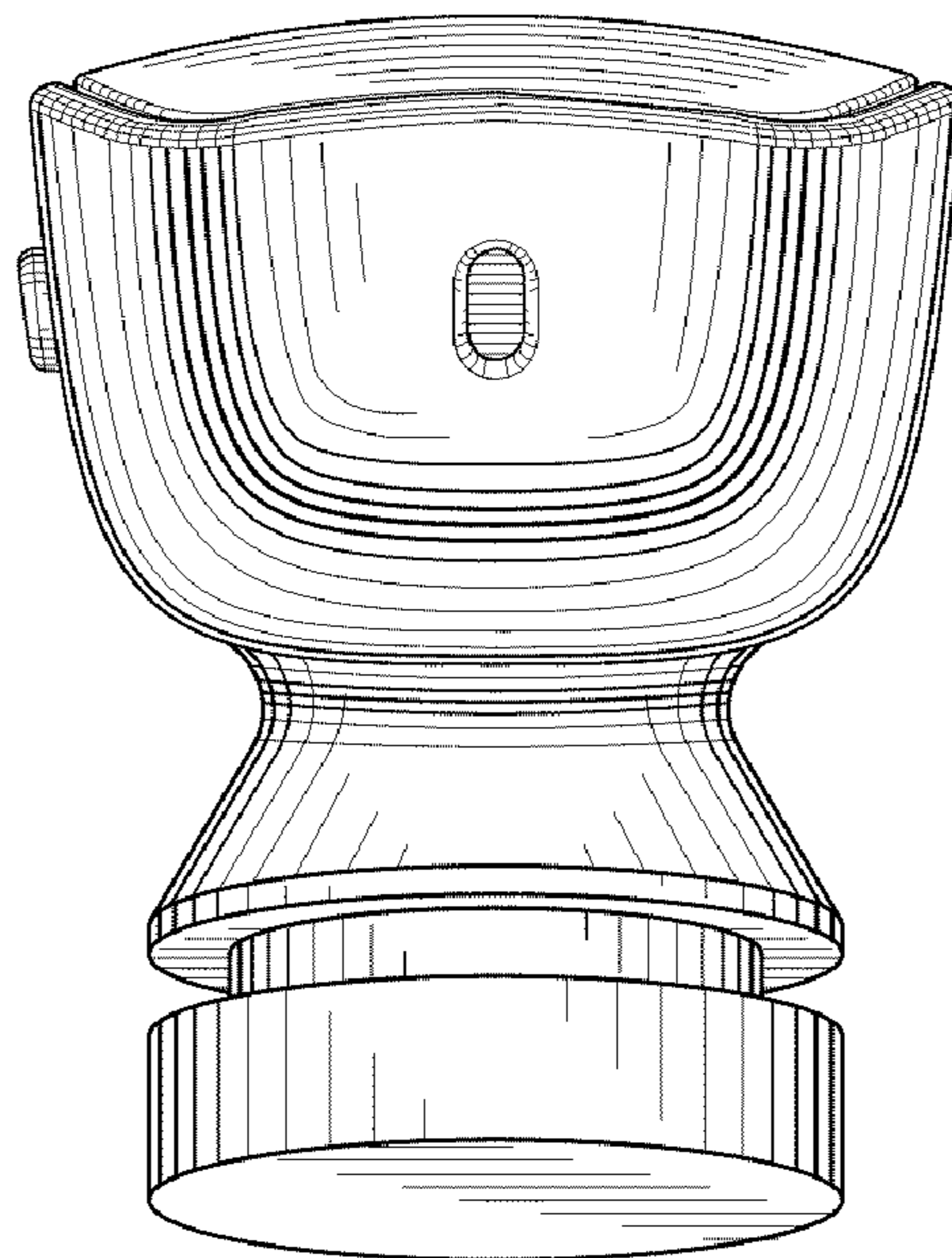


FIG. 8