



US00D649955S

(12) **United States Design Patent**  
**Kumagai**

(10) **Patent No.:** **US D649,955 S**

(45) **Date of Patent:** **\*\* Dec. 6, 2011**

(54) **PORTABLE RECORDER**

(75) Inventor: **Yoshiaki Kumagai**, Tokyo (JP)

(73) Assignee: **Sony Corporation**, Tokyo (JP)

(\*\*) Term: **14 Years**

(21) Appl. No.: **29/347,466**

(22) Filed: **Jan. 27, 2010**

(30) **Foreign Application Priority Data**

Aug. 26, 2009 (CN) ..... 2009 3 0007036

Aug. 31, 2009 (JP) ..... D2009-020024

(51) **LOC (9) Cl.** ..... **14-01**

(52) **U.S. Cl.** ..... **D14/167**

(58) **Field of Classification Search** ..... D14/167,  
D14/154, 168, 188, 496, 156, 160, 161, 162,  
D14/163, 164, 165, 158, 203.1, 341, 346,  
D14/342, 345, 225, 226, 228, 227, 214; 455/351,  
455/350; D19/60, 62; D21/330; 369/44.14,  
369/44.32; 700/94

See application file for complete search history.

(56) **References Cited**

**U.S. PATENT DOCUMENTS**

D217,467 S *	5/1970	Tsuji	.....	D14/164
D310,367 S *	9/1990	Dockery	.....	D14/217
D317,162 S *	5/1991	Wingate	.....	D14/260
D374,871 S	10/1996	Taniguchi		
D463,393 S	9/2002	Kataoka		
D473,535 S	4/2003	Ishii		
D481,702 S	11/2003	Takagi		
D486,466 S *	2/2004	Tanaka	.....	D14/167
D491,165 S *	6/2004	Hakoda	.....	D14/214

D509,834 S	9/2005	Kataoka		
D516,083 S	2/2006	Kataoka		
D518,021 S	3/2006	Tanaka		
D568,878 S *	5/2008	Aoki	.....	D14/226
7,372,501 B2 *	5/2008	Fujii	.....	348/373
D571,799 S	6/2008	Ogasawara		
D576,197 S *	9/2008	Takagi	.....	D16/219
D608,781 S	1/2010	Wada		
D612,856 S *	3/2010	Wahl et al.	.....	D14/433
D621,383 S *	8/2010	Hou	.....	D14/214
D623,166 S *	9/2010	Oka	.....	D14/167
D640,230 S *	6/2011	Sakai et al.	.....	D14/167

**FOREIGN PATENT DOCUMENTS**

EM	001537440-0002 S	6/2009
JP	D1307512 S	8/2007
JP	D1329426 S	5/2008
JP	D1362554 S	6/2009
JP	D1363071 S	6/2009

\* cited by examiner

*Primary Examiner* — Austin Murphy

(74) *Attorney, Agent, or Firm* — Rader, Fishman & Grauer PLLC

(57) **CLAIM**

The ornamental design for a portable recorder, as shown and described.

**DESCRIPTION**

FIG. 1 is a perspective view of a portable recorder showing my new design;

FIG. 2 is a front elevational view thereof; and,

FIG. 3 is a bottom plan view thereof.

Portions in broken lines are for illustrative purpose only and form no part of the claimed design.

**1 Claim, 3 Drawing Sheets**

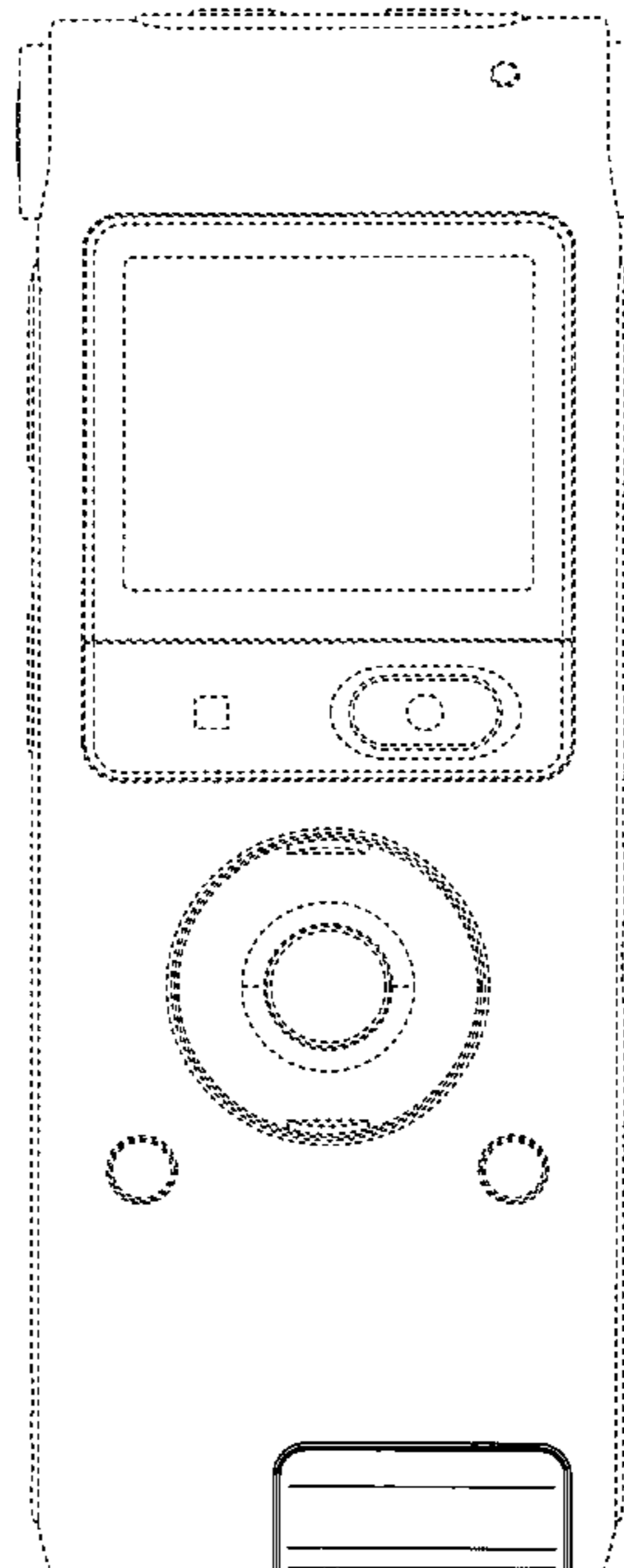
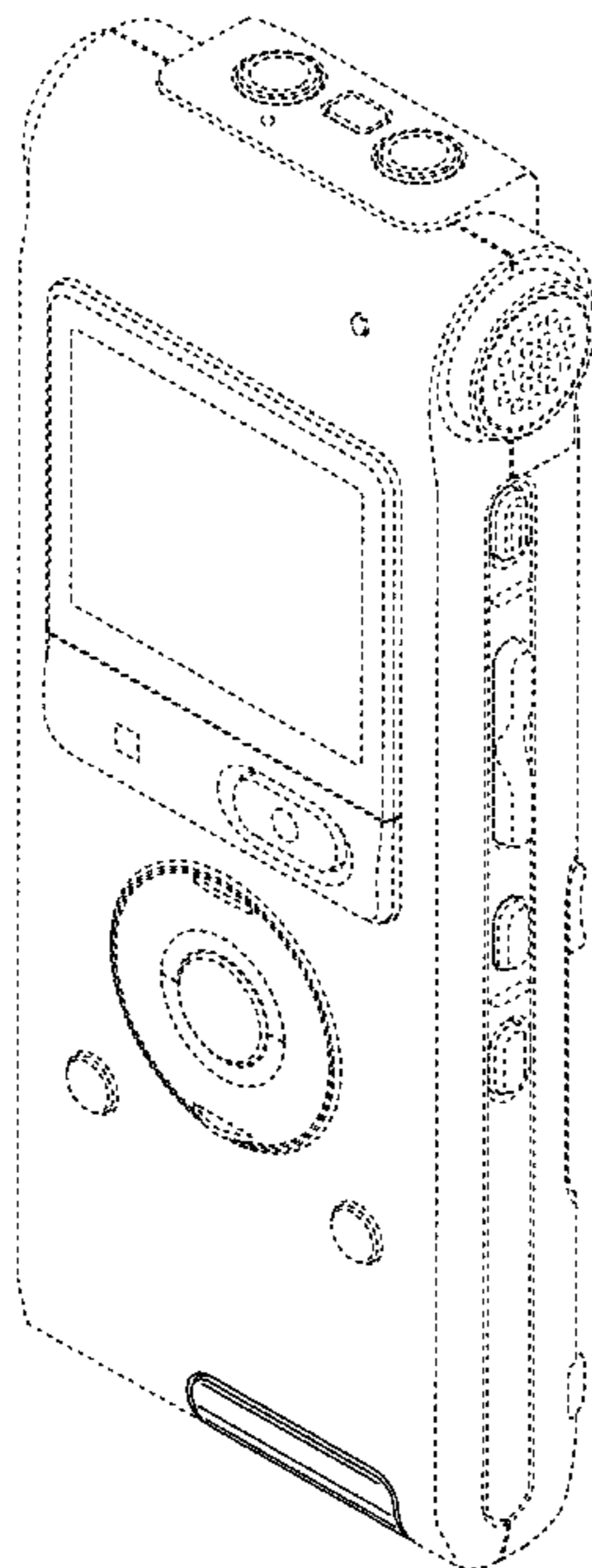


FIG.1

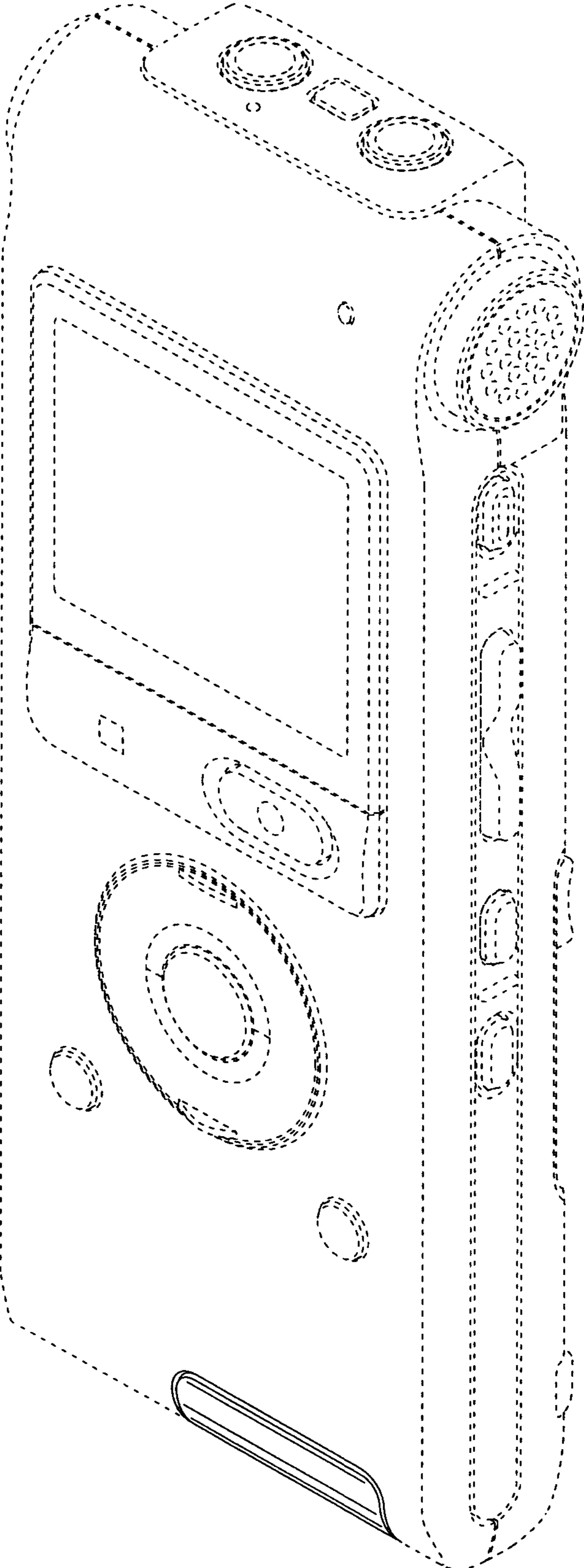


FIG.2

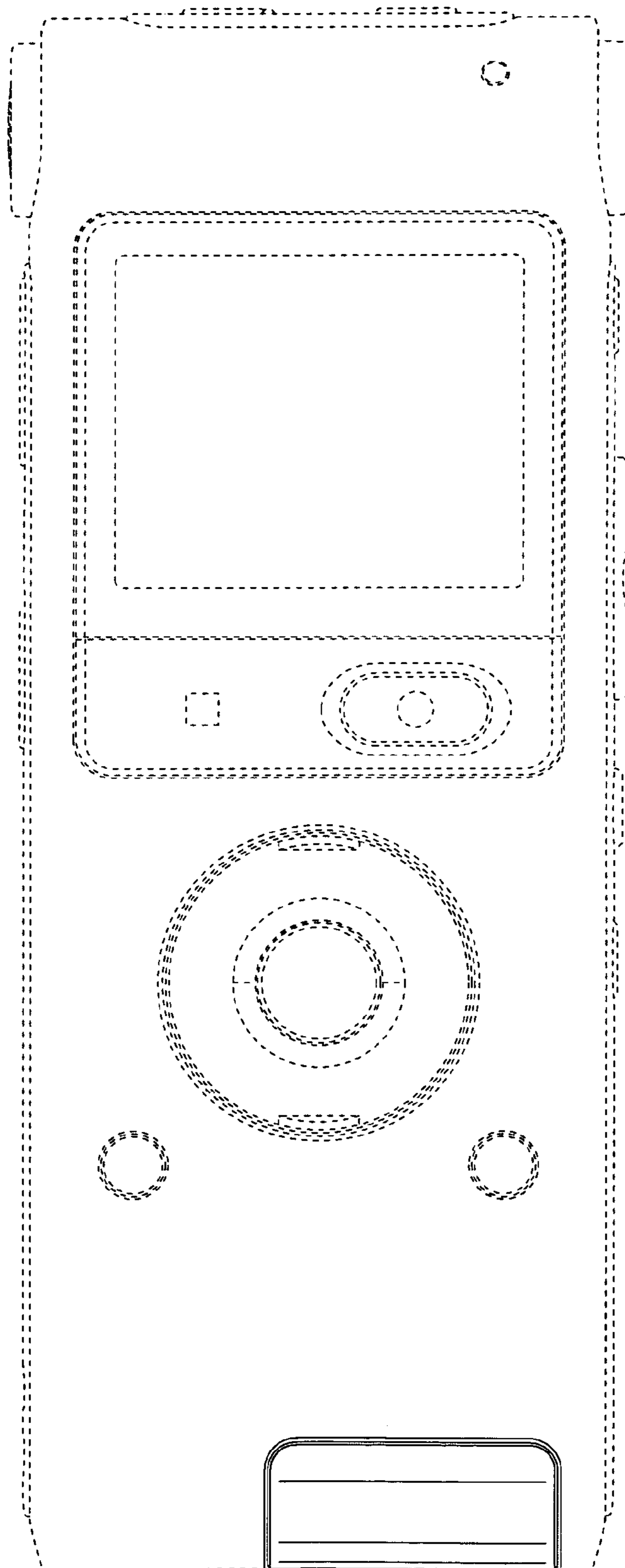


FIG. 3

