



US00D649953S

(12) **United States Design Patent**
Chung

(10) **Patent No.:** **US D649,953 S**
(45) **Date of Patent:** **** Dec. 6, 2011**

(54) **MOBILE PHONE**

(75) Inventor: **Jin-Man Chung**, Goyang-Si (KR)

(73) Assignee: **Samsung Electronics Co., Ltd.** (KR)

(**) Term: **14 Years**

(21) Appl. No.: **29/387,110**

(22) Filed: **Mar. 9, 2011**

(30) **Foreign Application Priority Data**

Dec. 10, 2010 (KR) 30-2010-0053608

(51) **LOC (9) Cl.** **14-03**

(52) **U.S. Cl.** **D14/138 AA**

(58) **Field of Classification Search** D14/138 AA,
D14/496, 341, 345, 346, 203.3, 203.4, 203.7,
D14/138 AB, 138 AD, 138 R, 147, 218, 137;
455/575.1, 556.2, 575.3, 575.4; D21/517;
379/433.01, 433.04, 433.11, 433.12, 433.13

See application file for complete search history.

(56) **References Cited**

U.S. PATENT DOCUMENTS

- 6,674,996 B1 * 1/2004 Weckstrom 455/90.3
- D562,286 S * 2/2008 Lim et al. D14/138 AA
- D563,371 S * 3/2008 Kim et al. D14/138 AA
- D572,700 S * 7/2008 Kwon et al. D14/138 AA
- D573,130 S * 7/2008 Kim et al. D14/138 AA
- D576,135 S * 9/2008 Moss D14/138 AA
- D582,375 S * 12/2008 Fan et al. D14/138 AA
- D585,039 S * 1/2009 Wang et al. D14/138 AA
- D589,955 S * 4/2009 Shi et al. D14/346
- D596,602 S * 7/2009 Cha et al. D14/138 AA
- D601,116 S * 9/2009 Baik et al. D14/138 AA
- D609,205 S * 2/2010 Li et al. D14/138 AA
- D616,406 S * 5/2010 Du et al. D14/138 AA
- D617,297 S * 6/2010 Baik et al. D14/138 AA
- D617,298 S * 6/2010 Kim et al. D14/138 AA
- D617,750 S * 6/2010 Chen et al. D14/138 AA
- D617,753 S * 6/2010 Cheng D14/138 AA
- D617,761 S * 6/2010 Wang D14/138 AA

- D618,194 S * 6/2010 Kim et al. D14/138 AA
- D618,197 S * 6/2010 Bang et al. D14/138 AA
- D628,186 S * 11/2010 Yang D14/138 AA
- D640,226 S * 6/2011 Park et al. D14/138 AA
- D643,012 S * 8/2011 Chen D14/138 AA
- 2004/0204060 A1 * 10/2004 Makinouchi et al. 455/556.1

OTHER PUBLICATIONS

Samsung E3322 telephone, announced Apr. 2011, [online], [site visited Aug. 23, 2011]. Available from Internet, <URL: <http://www.gsmarena.com>>.*

Samsung E1110 telephone, announced Nov. 2008, [online], [site visited Aug. 23, 2011]. Available from Internet, <URL: <http://www.gsmarena.com>>.*

Nokia 6300 telephone, announced Jan. 2007, [online], [site visited Aug. 23, 2011]. Available from Internet, <URL: <http://www.gsmarena.com>>.*

Nokia 6301 telephone, announced Sep. 2007, [online], [site visited Aug. 23, 2011]. Available from Internet, <URL: <http://www.gsmarena.com>>.*

Sony Ericsson T250 telephone, announced May 2007, [online], [site visited Aug. 23, 2011]. Available from Internet, <URL: <http://www.gsmarena.com>>.*

* cited by examiner

Primary Examiner — Jeffrey D Asch

(74) *Attorney, Agent, or Firm* — NSIP Law

(57) **CLAIM**

The ornamental design for a mobile phone, as shown and described.

DESCRIPTION

FIG. 1 is a perspective view of a mobile phone;
FIG. 2 is a front view of the mobile phone of FIG. 1;
FIG. 3 is a rear view of the mobile phone of FIG. 1;
FIG. 4 is a left-side view of the mobile phone of FIG. 1;
FIG. 5 is a right-side view of the mobile phone of FIG. 1;
FIG. 6 is a top plan view of the mobile phone of FIG. 1; and,
FIG. 7 is a bottom plan view of the mobile phone of FIG. 1.

1 Claim, 4 Drawing Sheets

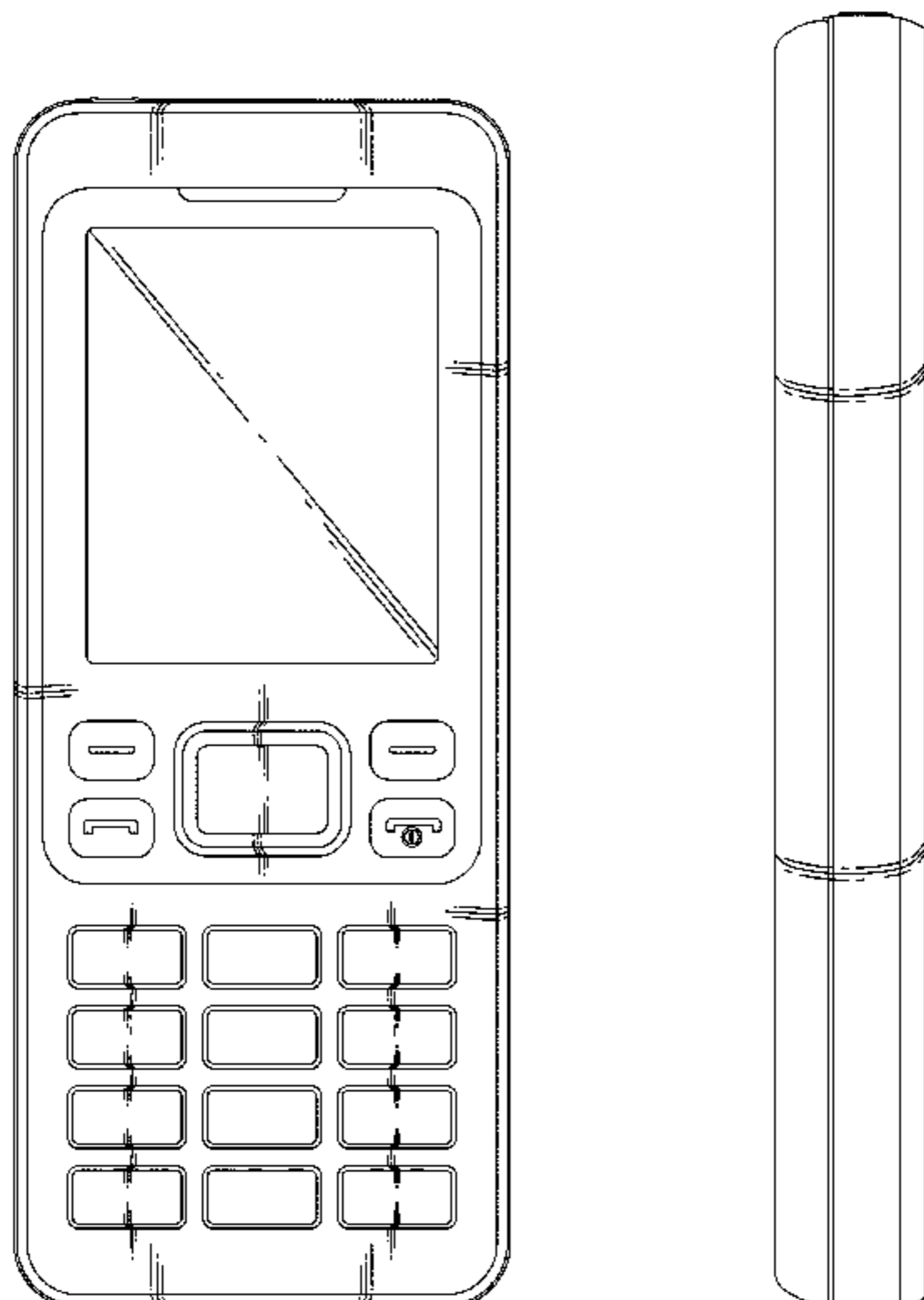


FIG. 1

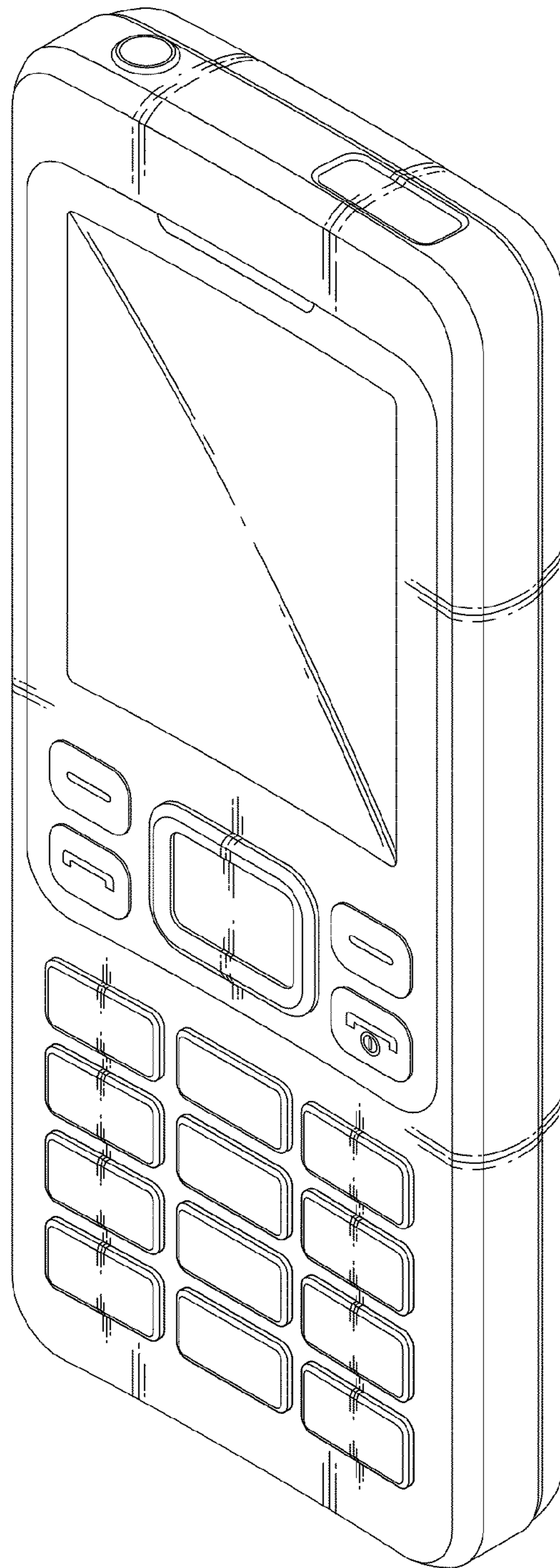


FIG. 2

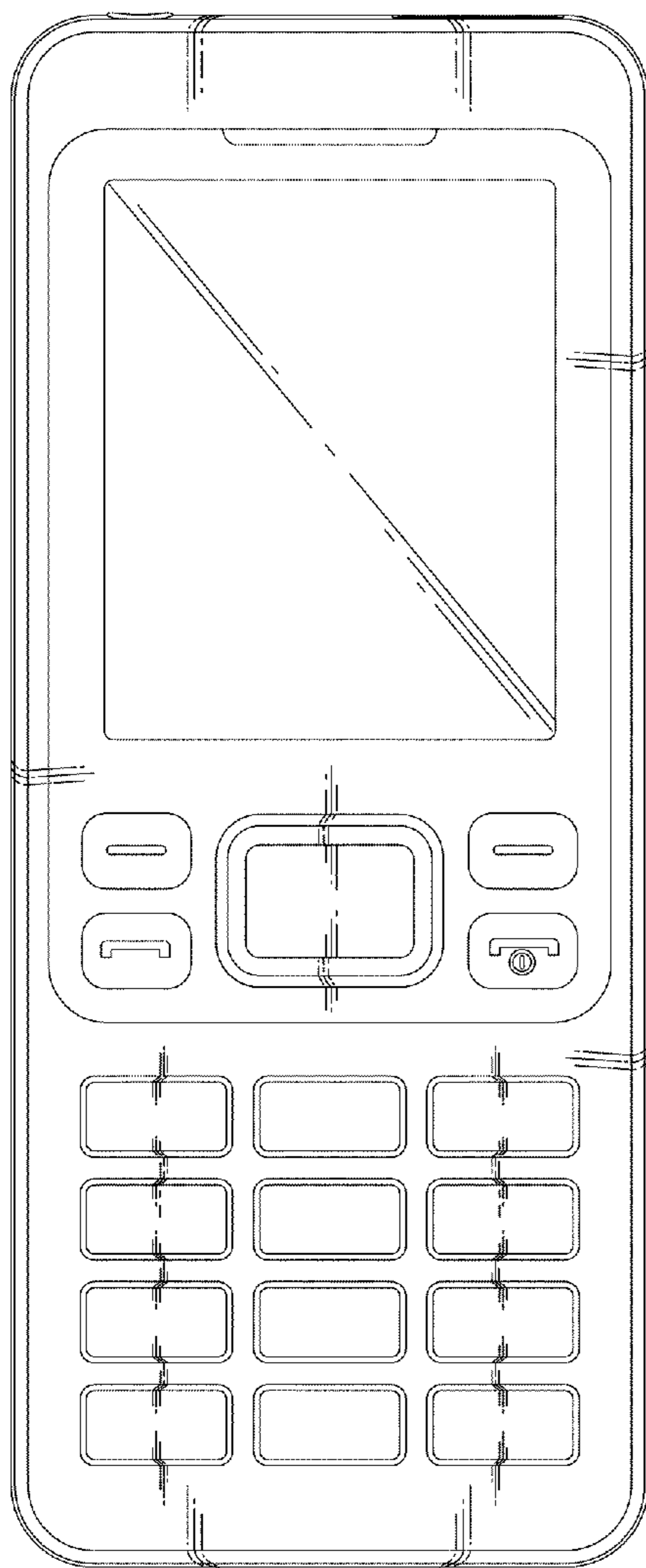


FIG. 3

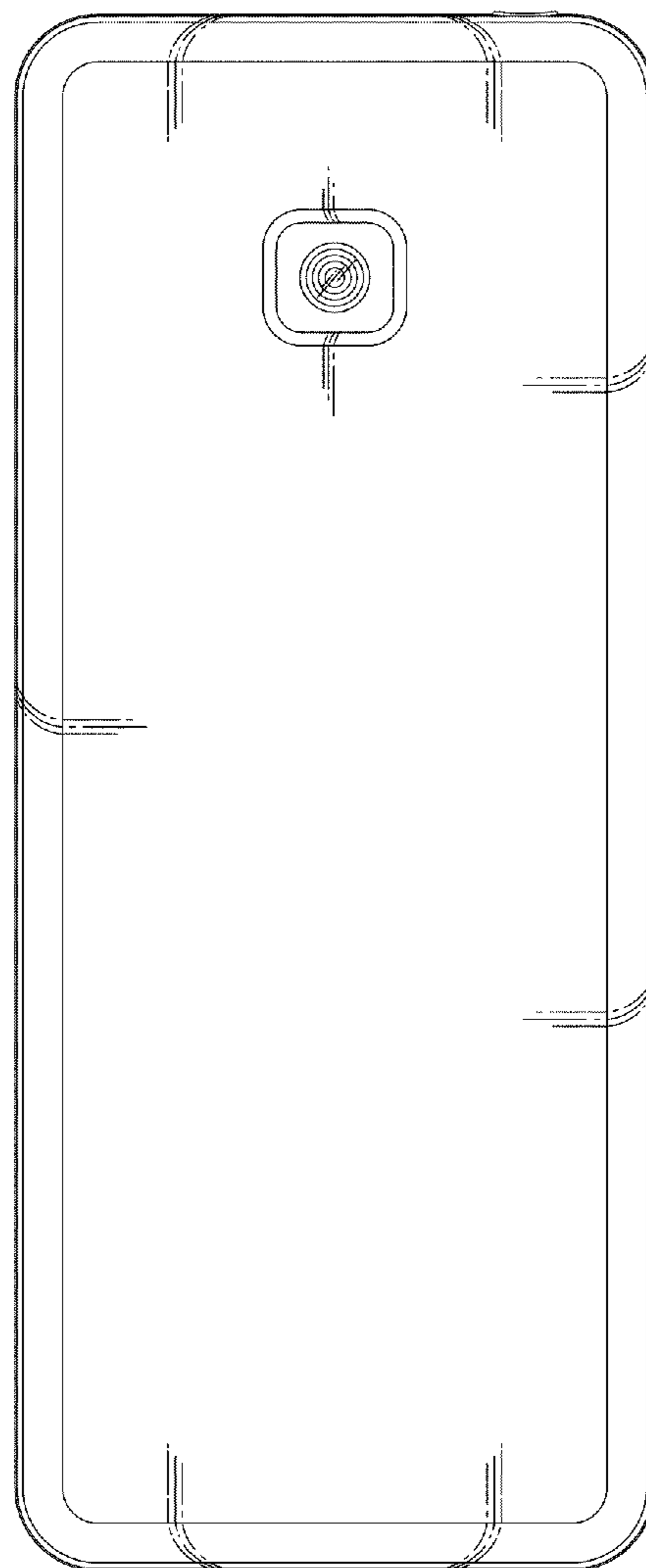


FIG. 4

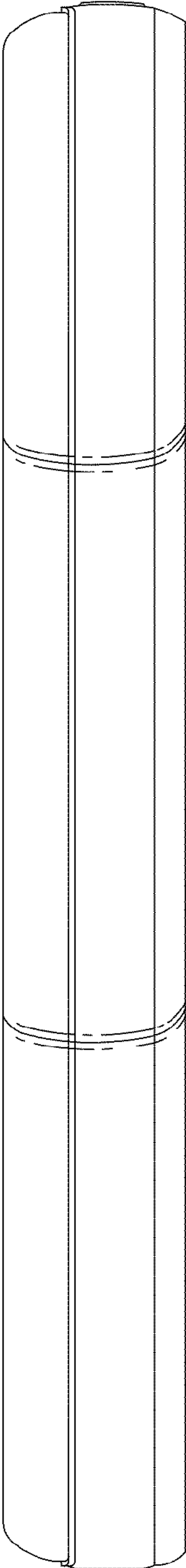


FIG. 5

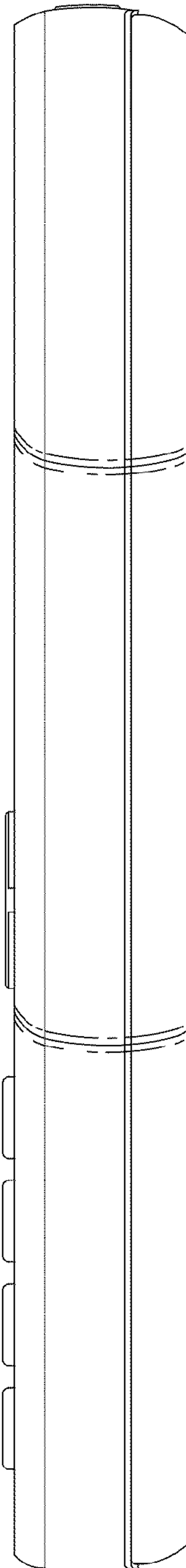


FIG. 6

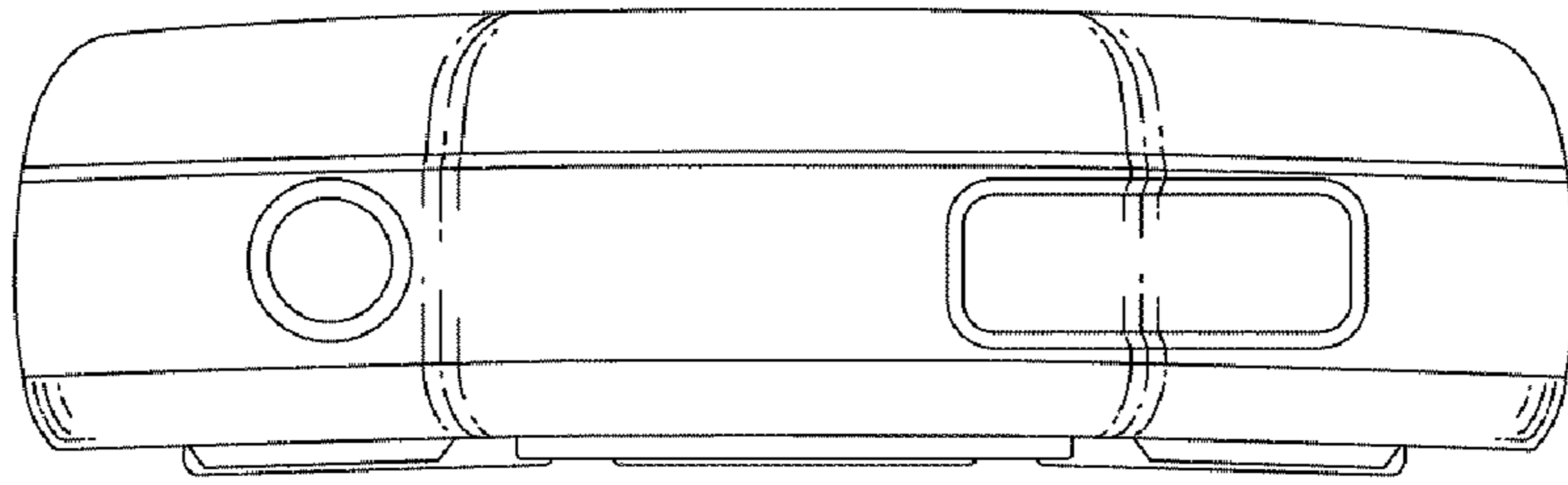


FIG. 7

