



US00D649951S

(12) **United States Design Patent**
Roed et al.

(10) **Patent No.:** **US D649,951 S**
(45) **Date of Patent:** **** *Dec. 6, 2011**

(54) **VIDEO CONFERENCE SYSTEM**

(75) Inventors: **Maren Anne Roed**, Eiksmarka (NO);
Stig Myler, Fredensborg (DK);
Friederike Faller, Frederiksberg (DK);
Torkel Steffen Mellingen, Oslo (NO)

(73) Assignee: **Tandberg Telecom AS**, Lysaker (NO)

(*) Notice: This patent is subject to a terminal disclaimer.

(**) Term: **14 Years**

(21) Appl. No.: **29/368,374**

(22) Filed: **Aug. 23, 2010**

Related U.S. Application Data

(62) Division of application No. 29/313,109, filed on Dec. 8, 2008, now Pat. No. Des. 624,514.

(30) **Foreign Application Priority Data**

Jun. 6, 2008 (NO) 20080325

(51) **LOC (9) Cl.** **14-03**

(52) **U.S. Cl.** **D14/127; D14/129**

(58) **Field of Classification Search** D14/125-134,
D14/239, 371, 136, 374-377, 440, 450, 448,
D14/336, 342; 312/7.2; 348/836, 838, 180,
348/184, 325, 739; 341/12; 248/917-924,
248/465; 345/104, 133, 156, 168, 87, 173;
720/605, 669, 600, 655; 369/99, 197; 455/344,
455/347; D21/329, 515, 577, 622, 333, 433,
D21/448, 452, 450, 331; D6/477, 479, 300;
273/148 B; 446/484, 175, 356; D10/15,
D10/26

See application file for complete search history.

(56) **References Cited**

U.S. PATENT DOCUMENTS

4,113,331	A	*	9/1978	Derdzinski et al.	312/198
D340,229	S		10/1993	Drabczyk et al.	
D346,605	S		5/1994	Bosson	
D374,432	S	*	10/1996	Maquire, Jr.	D14/305
D440,543	S		4/2001	Kodimer	
D469,746	S	*	2/2003	Soule, Jr.	D14/127
D581,380	S		11/2008	Derocher et al.	
D583,781	S		12/2008	Derocher et al.	
D585,857	S		2/2009	Monson et al.	
D593,977	S		6/2009	Derocher et al.	
D616,404	S		5/2010	Roed et al.	
D623,621	S		9/2010	Roed et al.	
D624,513	S	*	9/2010	Mitsubishi	D14/126

* cited by examiner

Primary Examiner — Raphael Barkai

(74) *Attorney, Agent, or Firm* — Oblon, Spivak, McClelland, Maier & Neustadt, L.L.P.

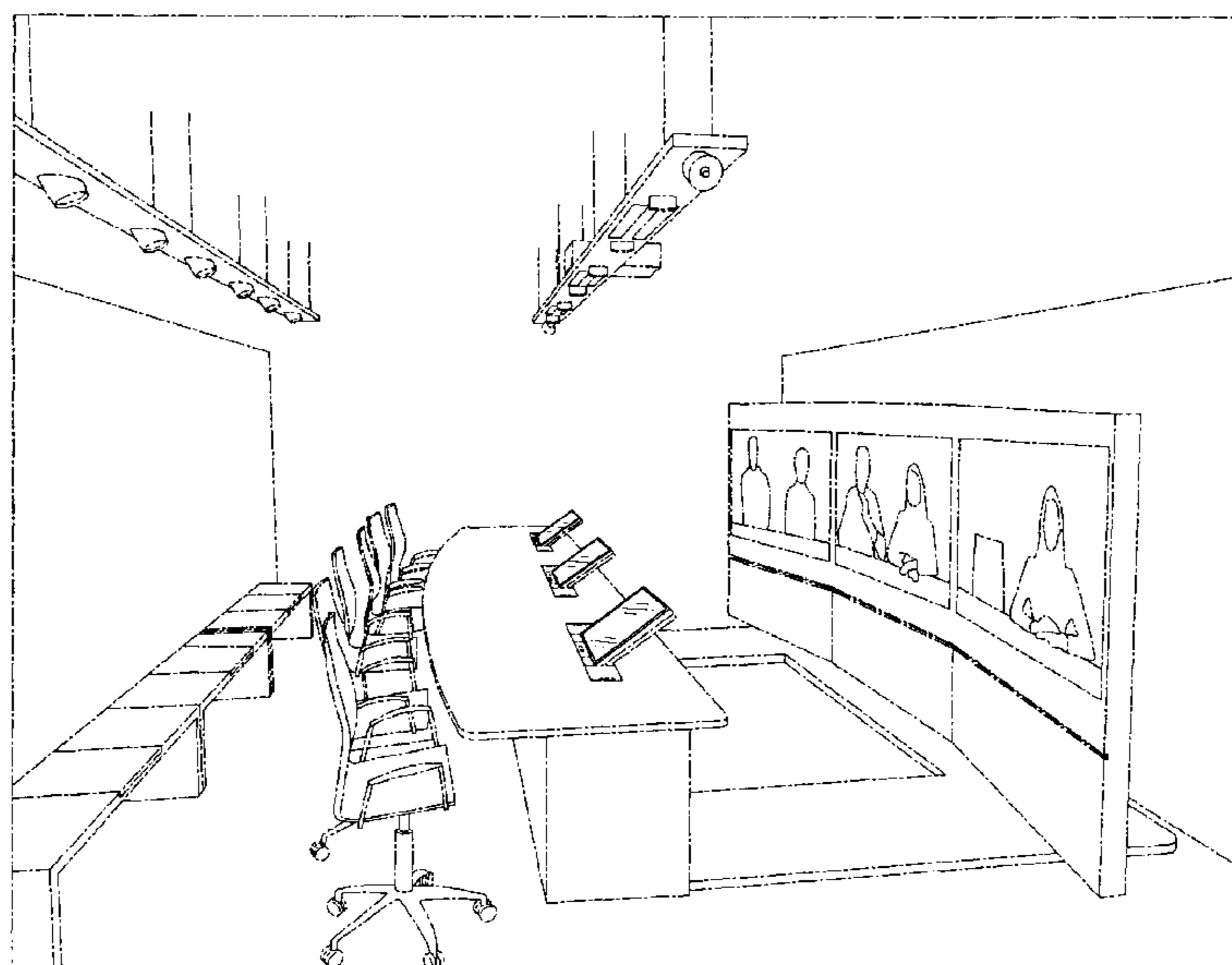
(57) **CLAIM**

The new, original, and ornamental design for a video conference system, as shown and described.

DESCRIPTION

FIG. 1 is a top and left elevational view of a video conference system;
FIG. 2 is a right side elevational view thereof;
FIG. 3 is a front elevational view thereof;
FIG. 4 is a rear elevational view thereof;
FIG. 5 is a bottom plan view thereof;
FIG. 6 is a top plan view thereof;
FIG. 7 is a left side elevational view thereof; and,
FIG. 8 is a right side elevational view thereof.
The broken lines in the drawings depict environmental subject matter only and form no part of the claimed design.

1 Claim, 8 Drawing Sheets



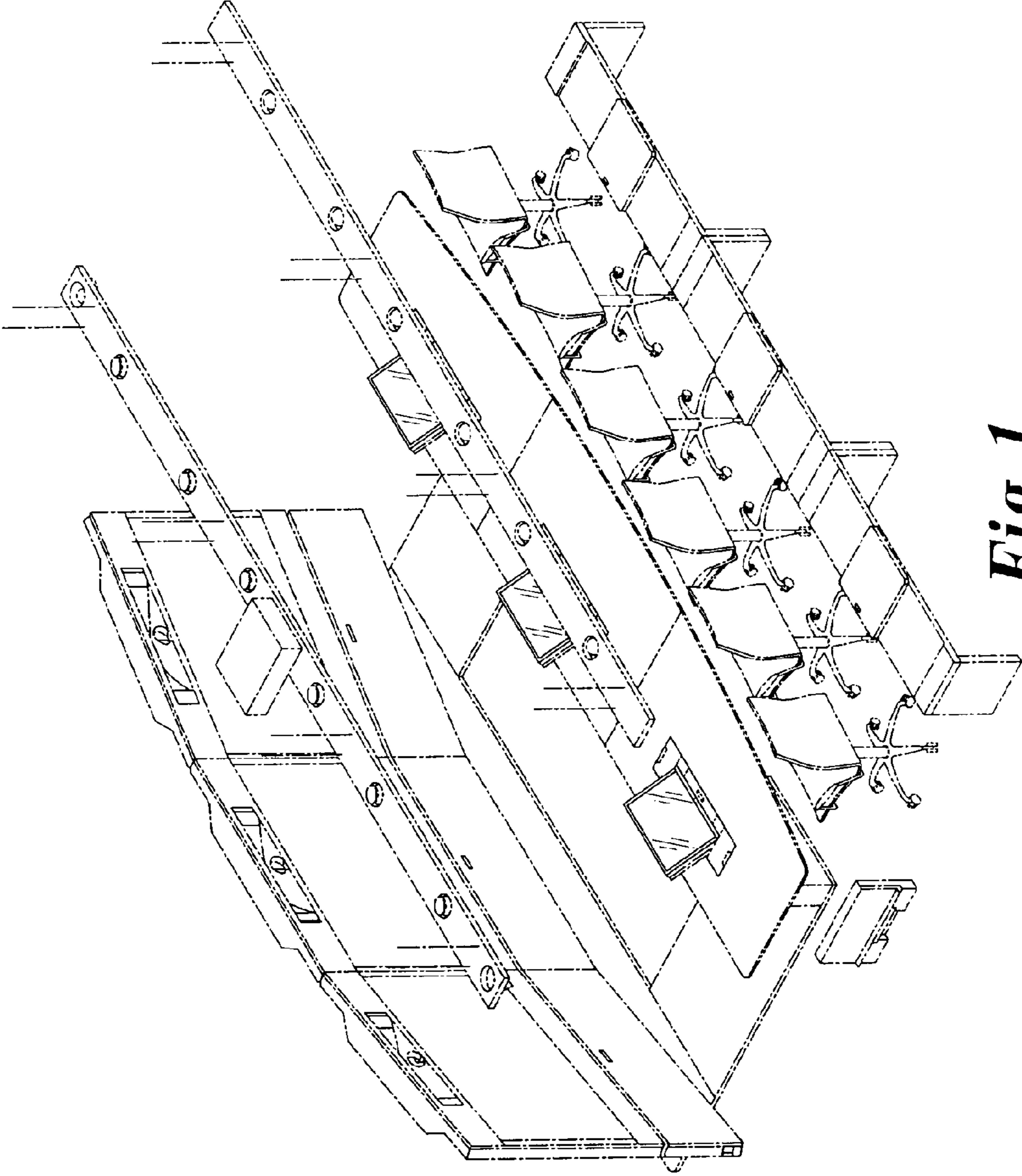


Fig. 1

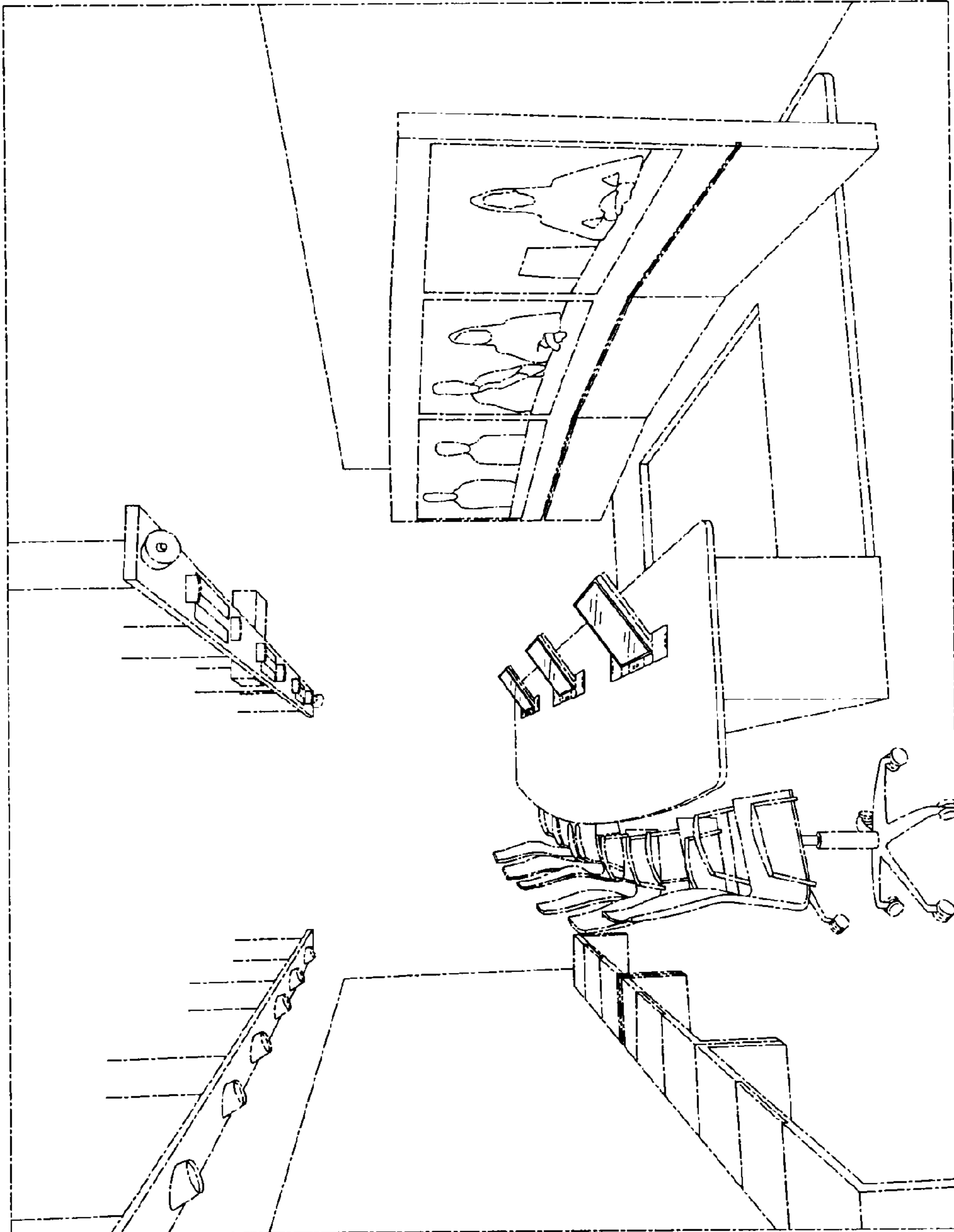


Fig. 2

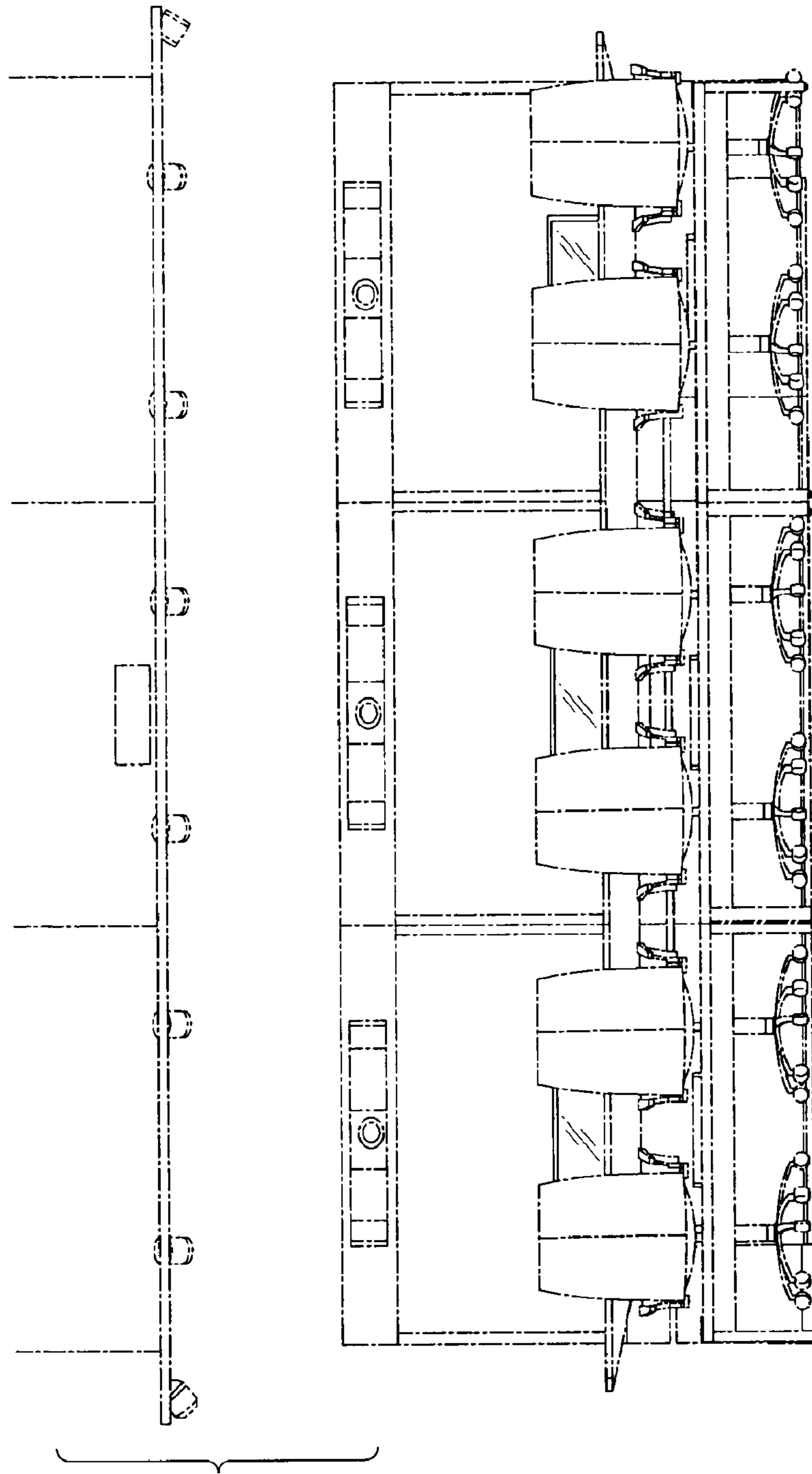


Fig. 3

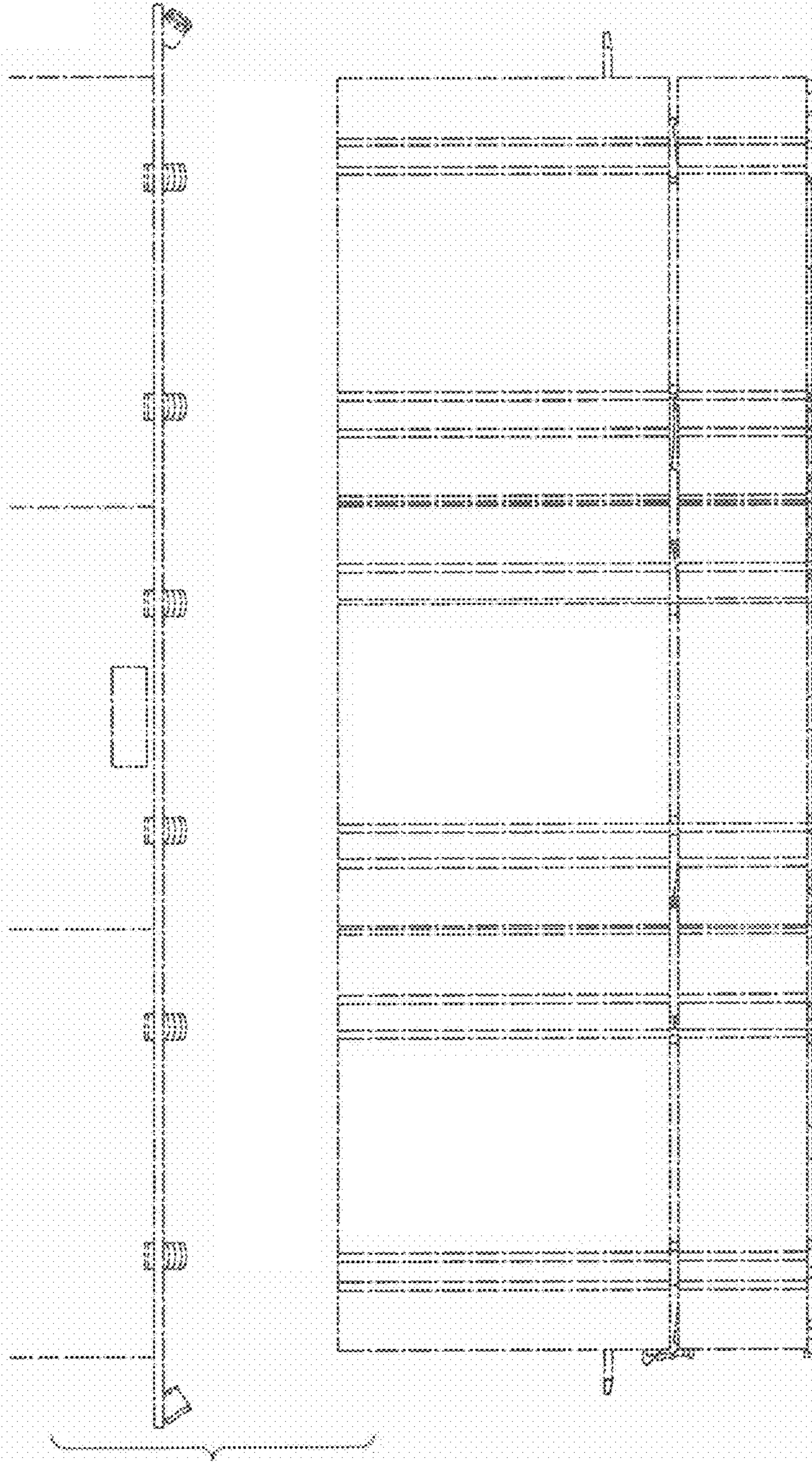


Fig. 4

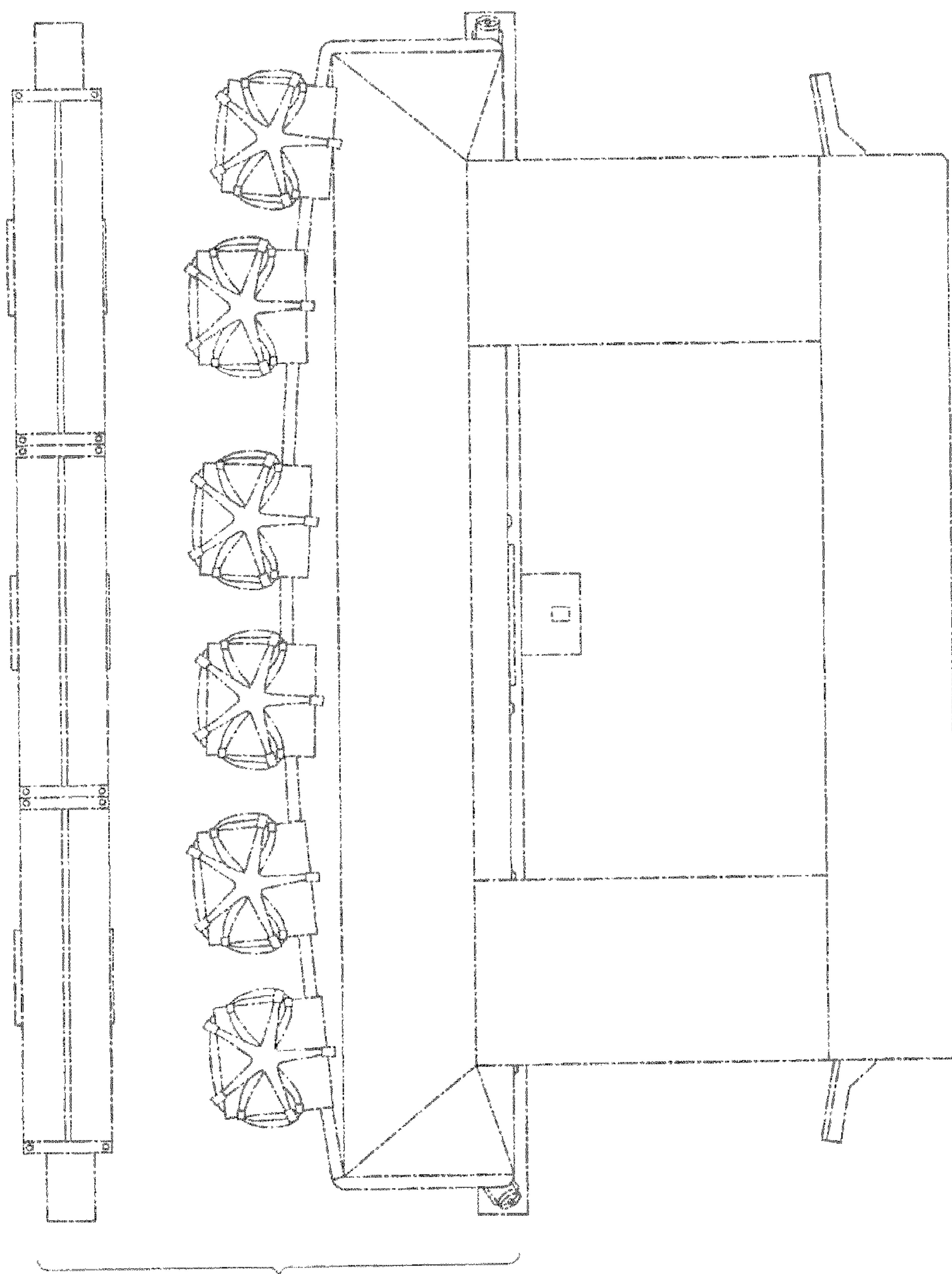


Fig. 5

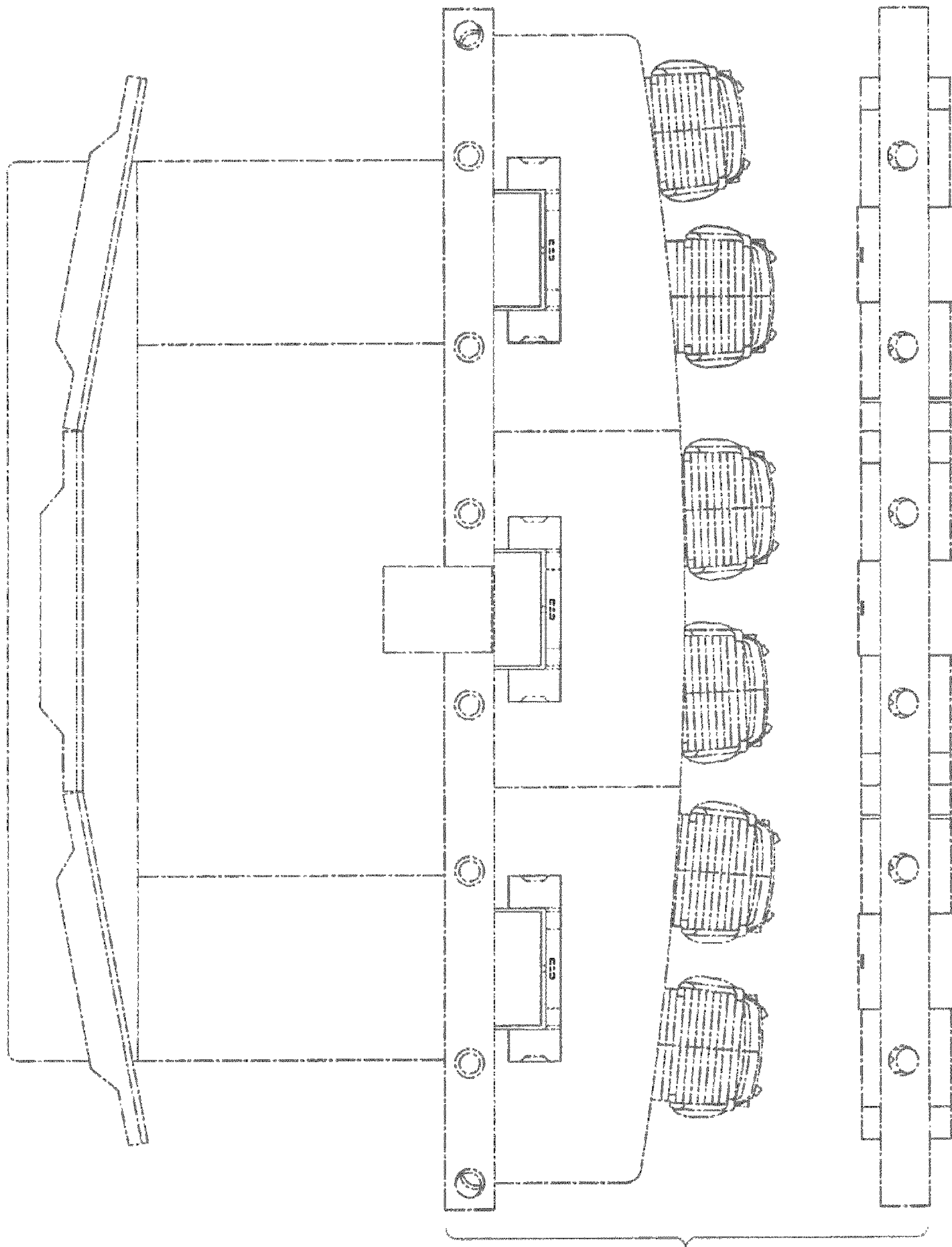


Fig. 6

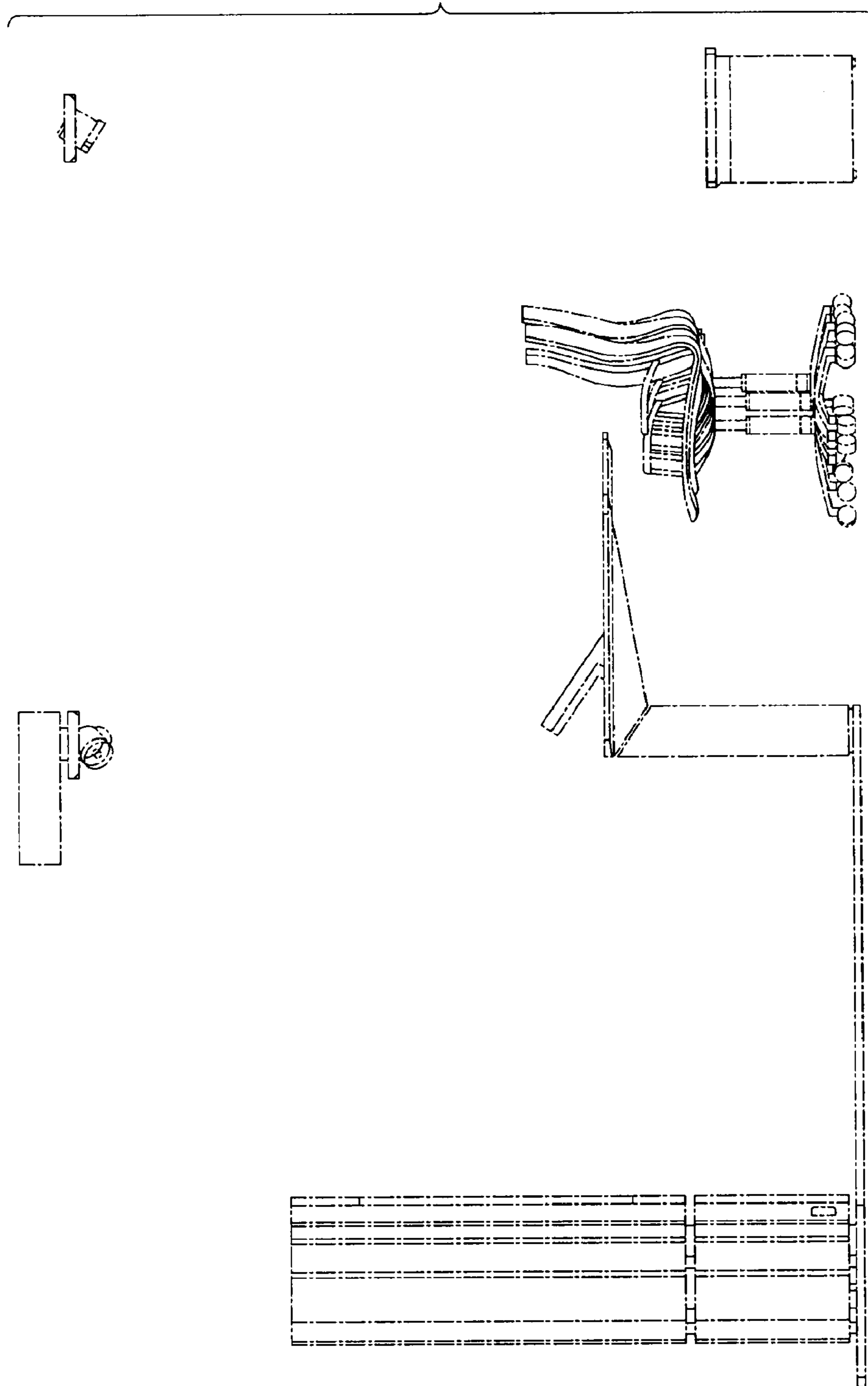


Fig. 7

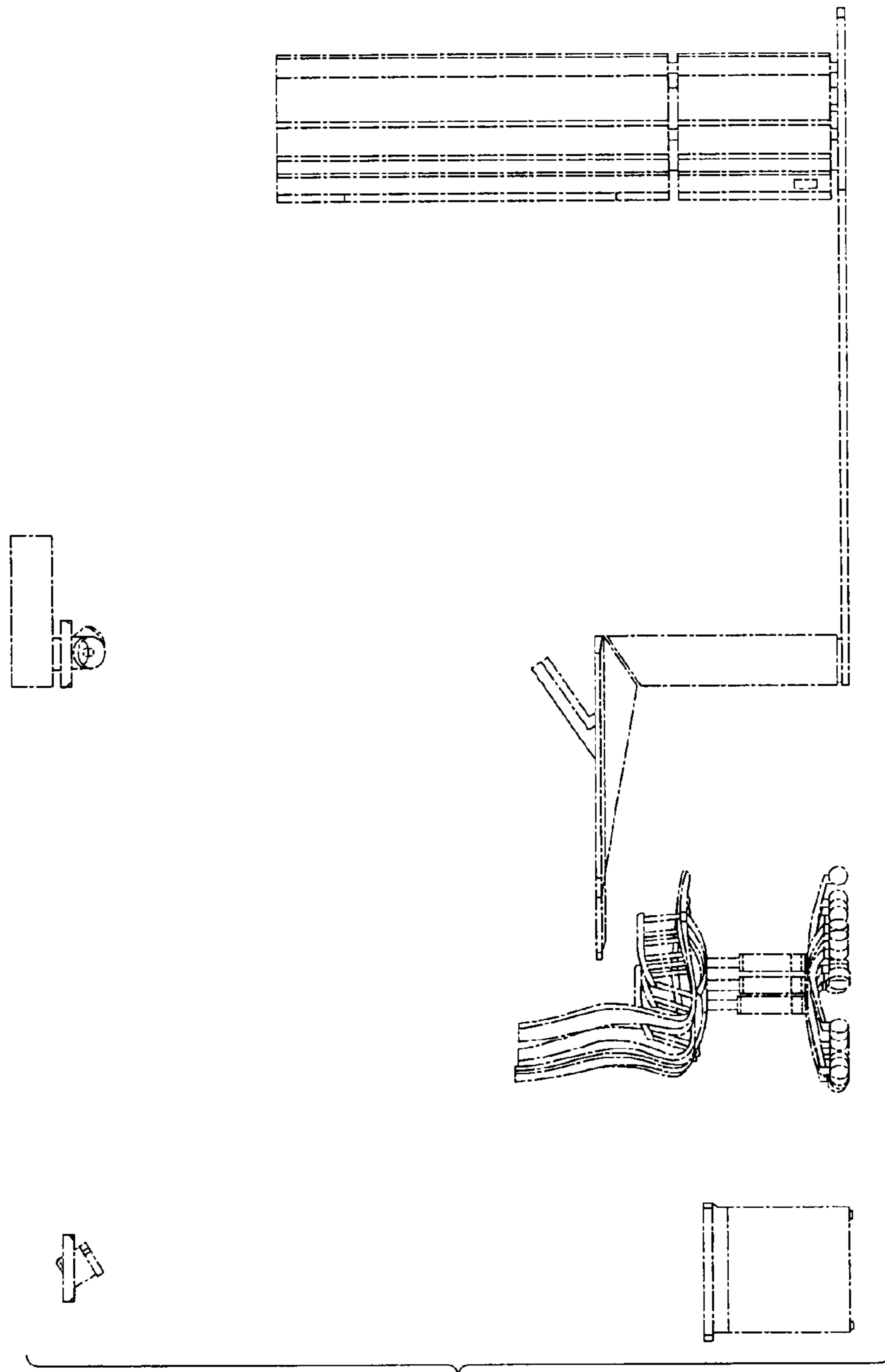


Fig. 8