



US00D649948S

(12) **United States Design Patent**
Chiu

(10) **Patent No.:** **US D649,948 S**

(45) **Date of Patent:** **** Dec. 6, 2011**

(54) **DISPLAY**

(75) Inventor: **Yi-Chung Chiu**, Taoyuan County (TW)

(73) Assignee: **Hannspree, Inc.**, New Taipei (TW)

(**) Term: **14 Years**

(21) Appl. No.: **29/388,521**

(22) Filed: **Mar. 30, 2011**

(51) **LOC (9) Cl.** **14-03**

(52) **U.S. Cl.** **D14/126**

(58) **Field of Classification Search** D14/125-134,
D14/239, 371, 136, 374-377, 440, 450, 448,
D14/336, 342; 312/7.2; 348/836, 838, 180,
348/184, 325, 739; 341/12; 248/917-924,
248/465; 345/104, 133, 156, 168, 87, 173;
720/605, 669, 600, 655; 369/99, 197; 455/344,
455/347; D21/329, 515, 577, 622, 333, 433,
D21/448, 452, 450, 331; D6/477, 479, 300;
273/148 B; 446/484, 175, 356; D10/15,
D10/26

See application file for complete search history.

(56) **References Cited**

U.S. PATENT DOCUMENTS

D531,145 S *	10/2006	Padain	D14/126
D558,163 S *	12/2007	Chiu	D14/126
D561,127 S *	2/2008	Lee	D14/126
D569,355 S *	5/2008	Hoehn et al.	D14/126
D594,429 S *	6/2009	Chiu	D14/126
D601,522 S *	10/2009	Chen	D14/126
D601,523 S *	10/2009	Chen	D14/126
D610,560 S *	2/2010	Chen	D14/126
D614,595 S *	4/2010	Kubota	D14/126

* cited by examiner

Primary Examiner — Raphael Barkai

(74) *Attorney, Agent, or Firm* — Ming Chow; Sinorica, LLC

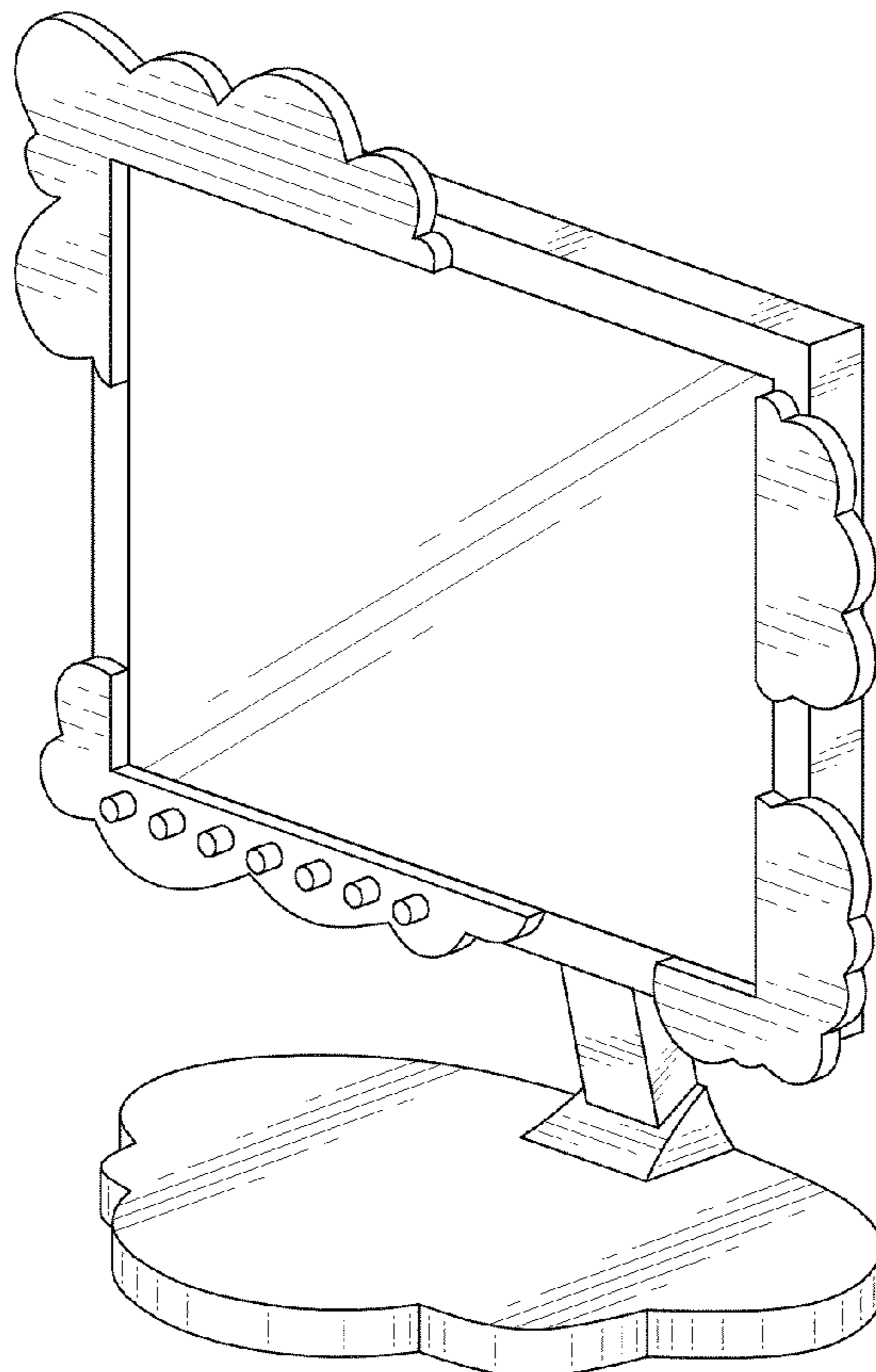
(57) **CLAIM**

The ornamental design for a display, as shown and described.

DESCRIPTION

FIG. 1.is a perspective view of a display showing my new design;
FIG. 2.is a front elevational view thereof;
FIG. 3.is a rear elevational view thereof;
FIG. 4.is a left side elevational view thereof;
FIG. 5.is a right side elevational view thereof;
FIG. 6.is a top plan view thereof; and,
FIG. 7.is a bottom plan view thereof.

1 Claim, 7 Drawing Sheets



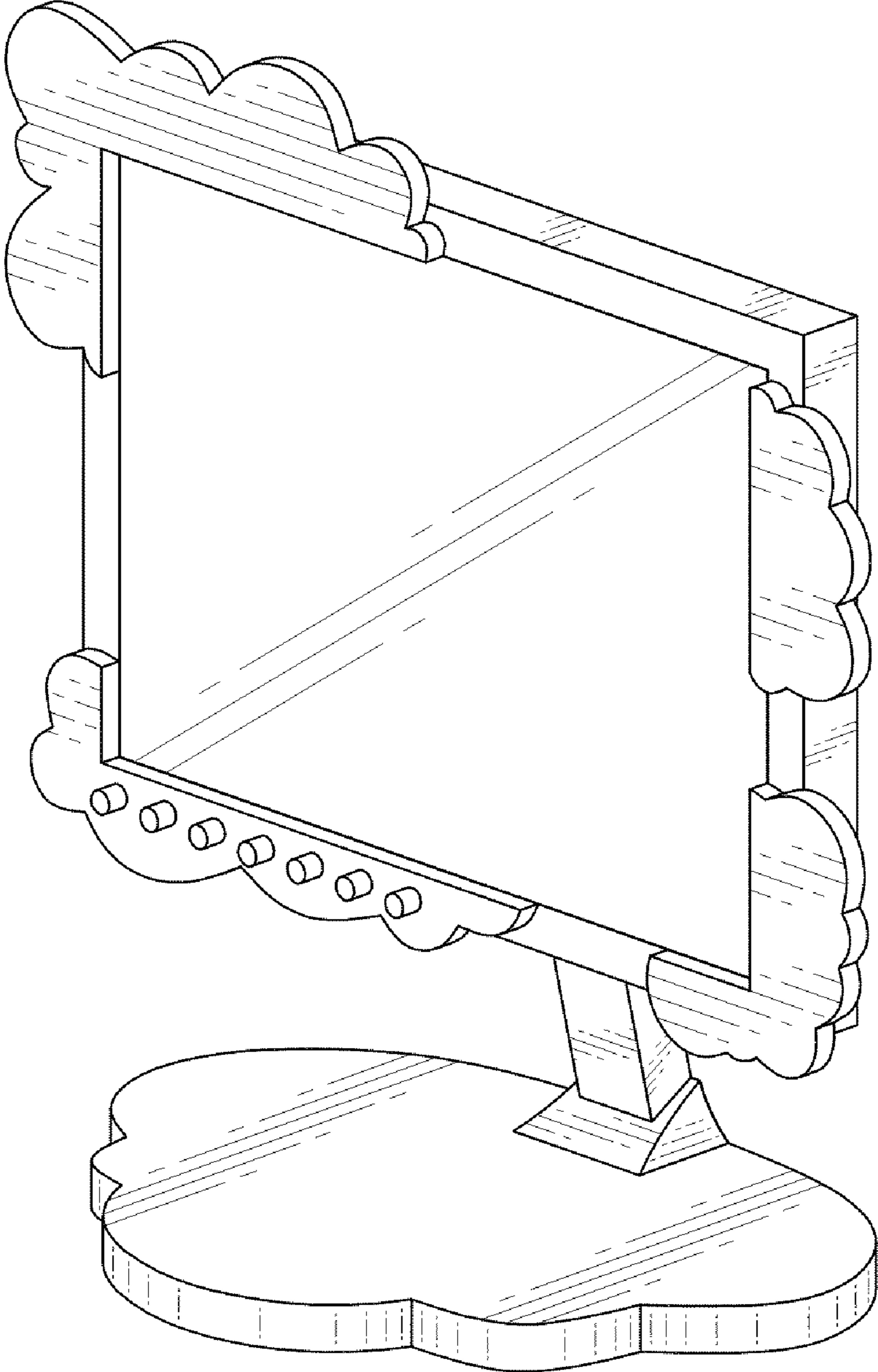


FIG. 1

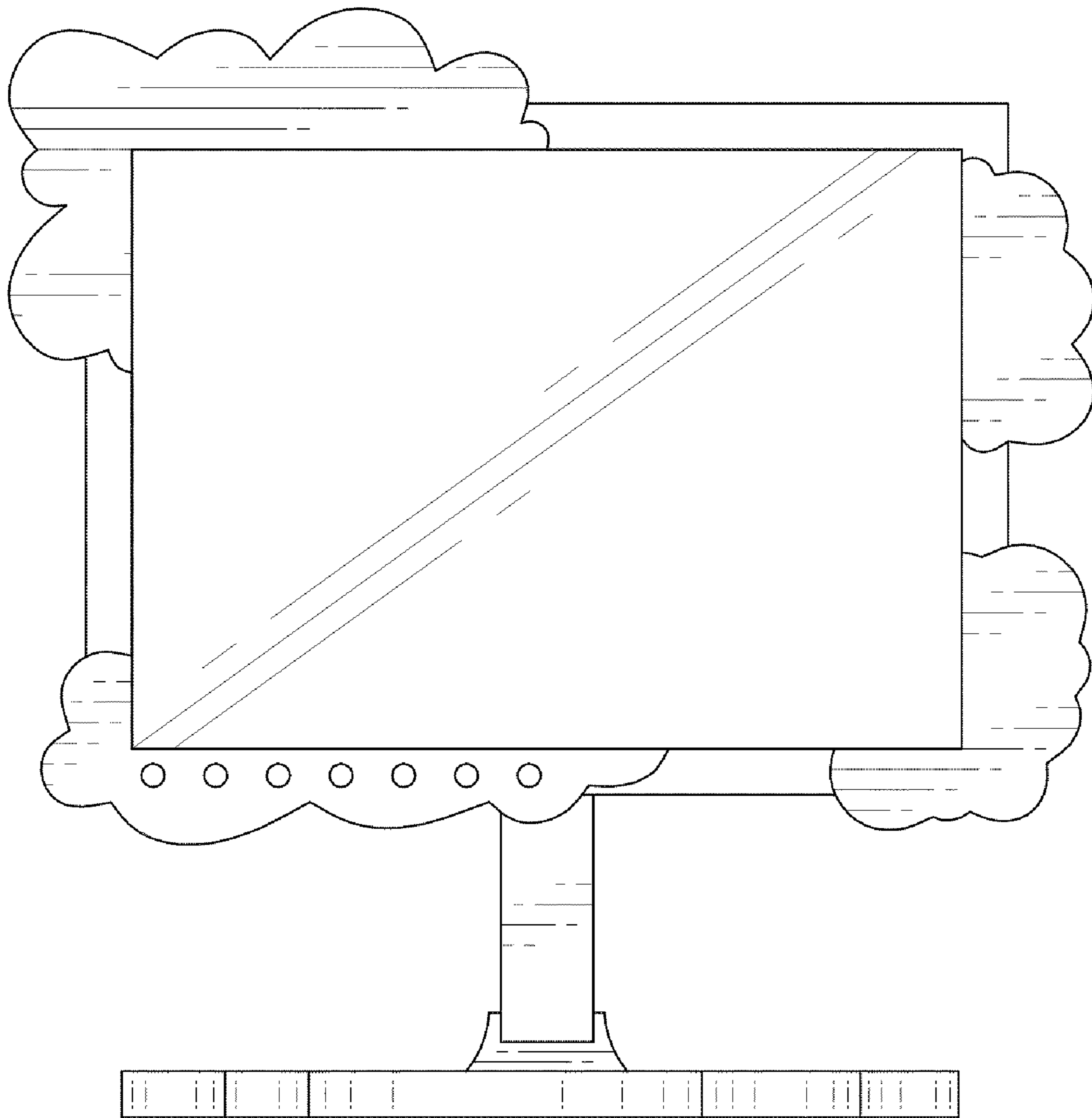


FIG. 2

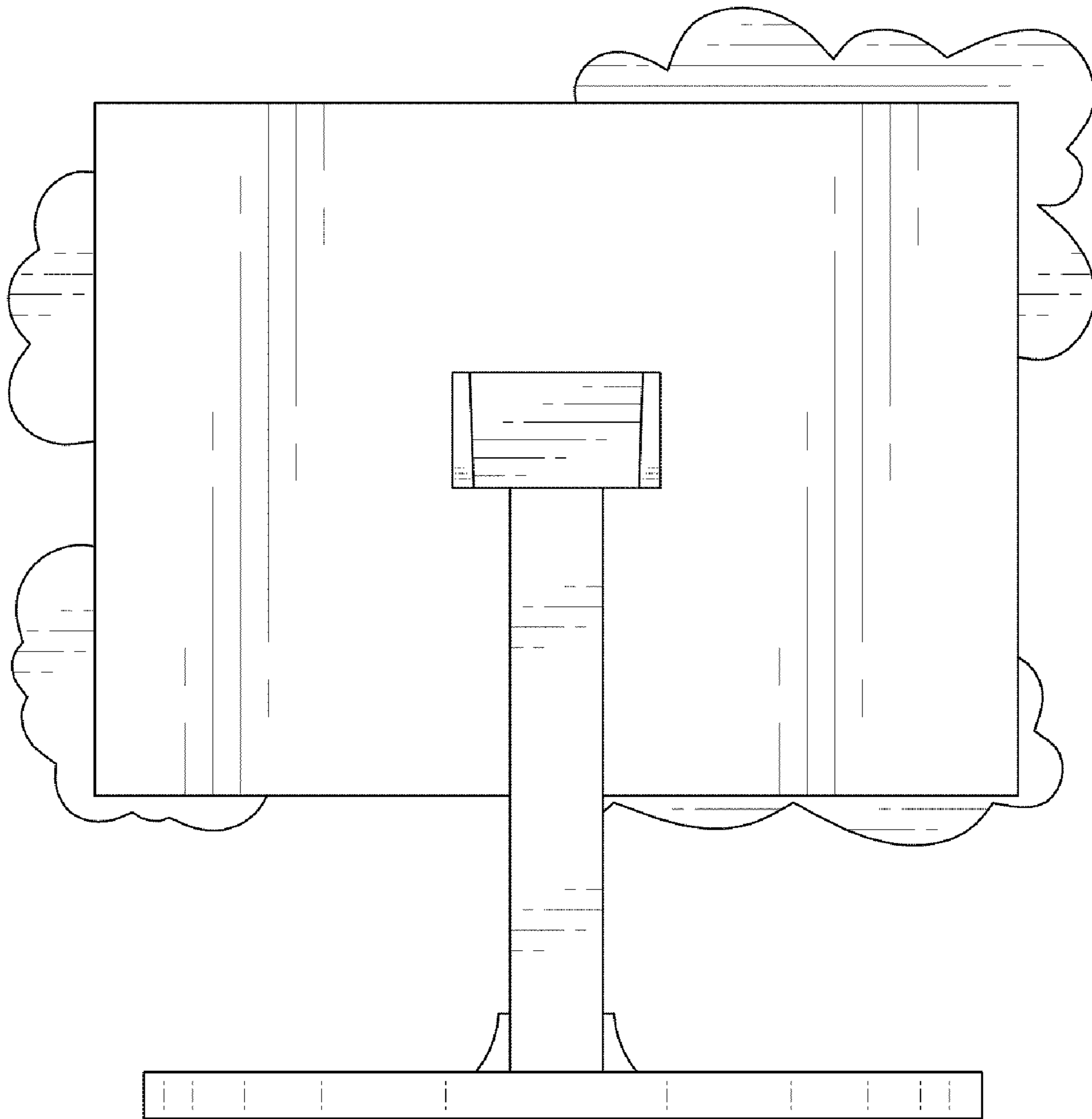


FIG. 3

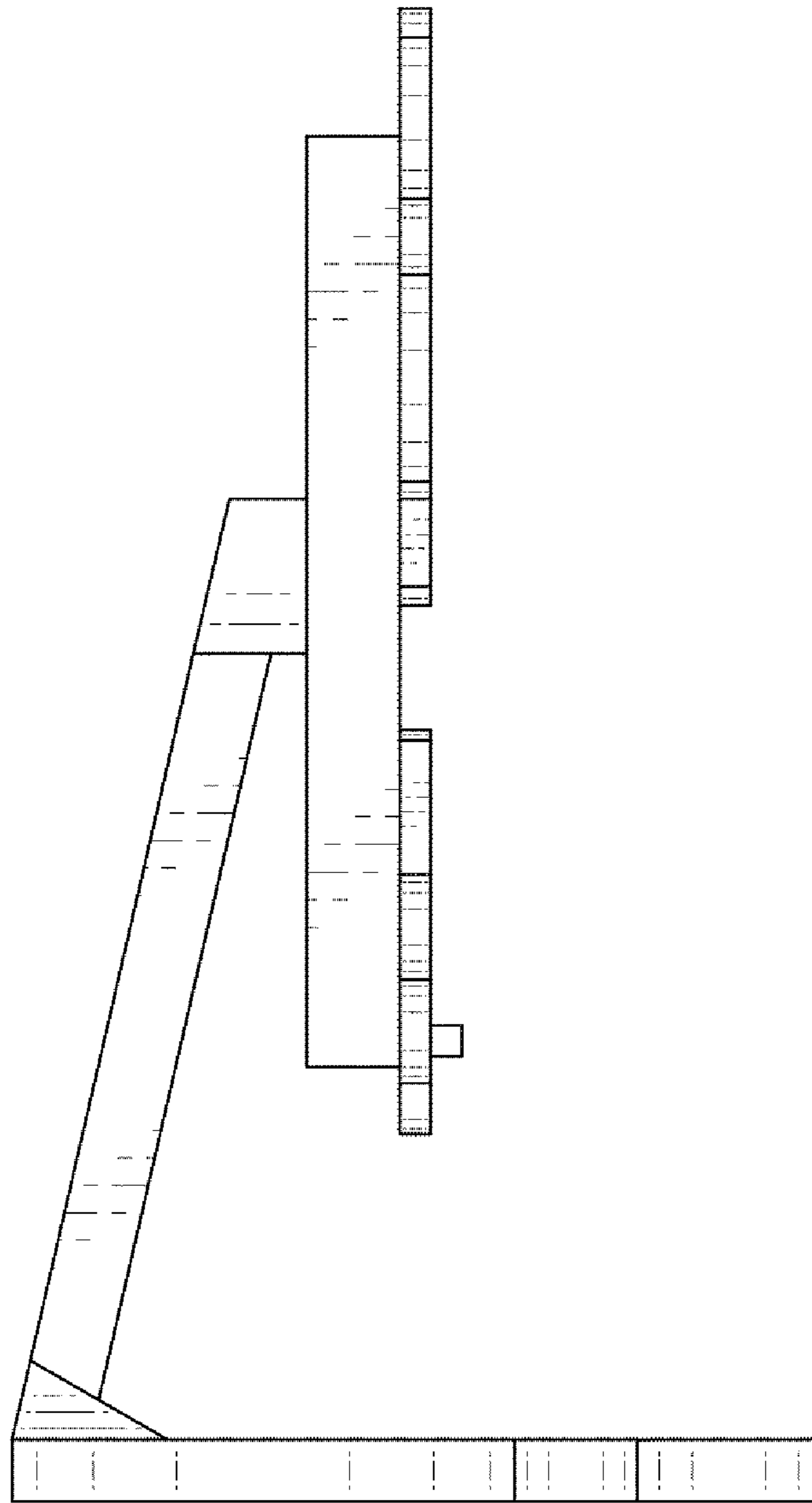


FIG. 4

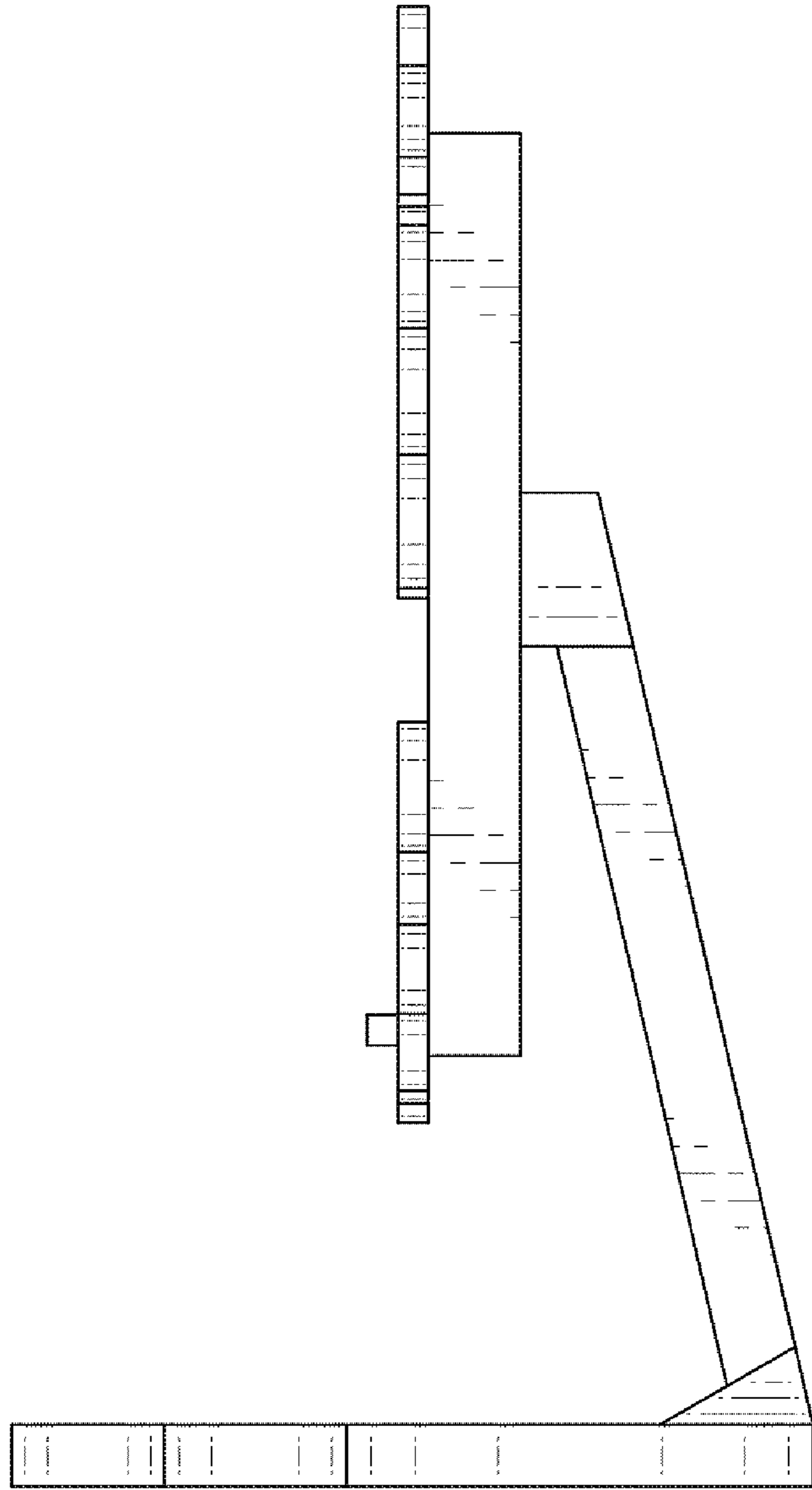


FIG. 5

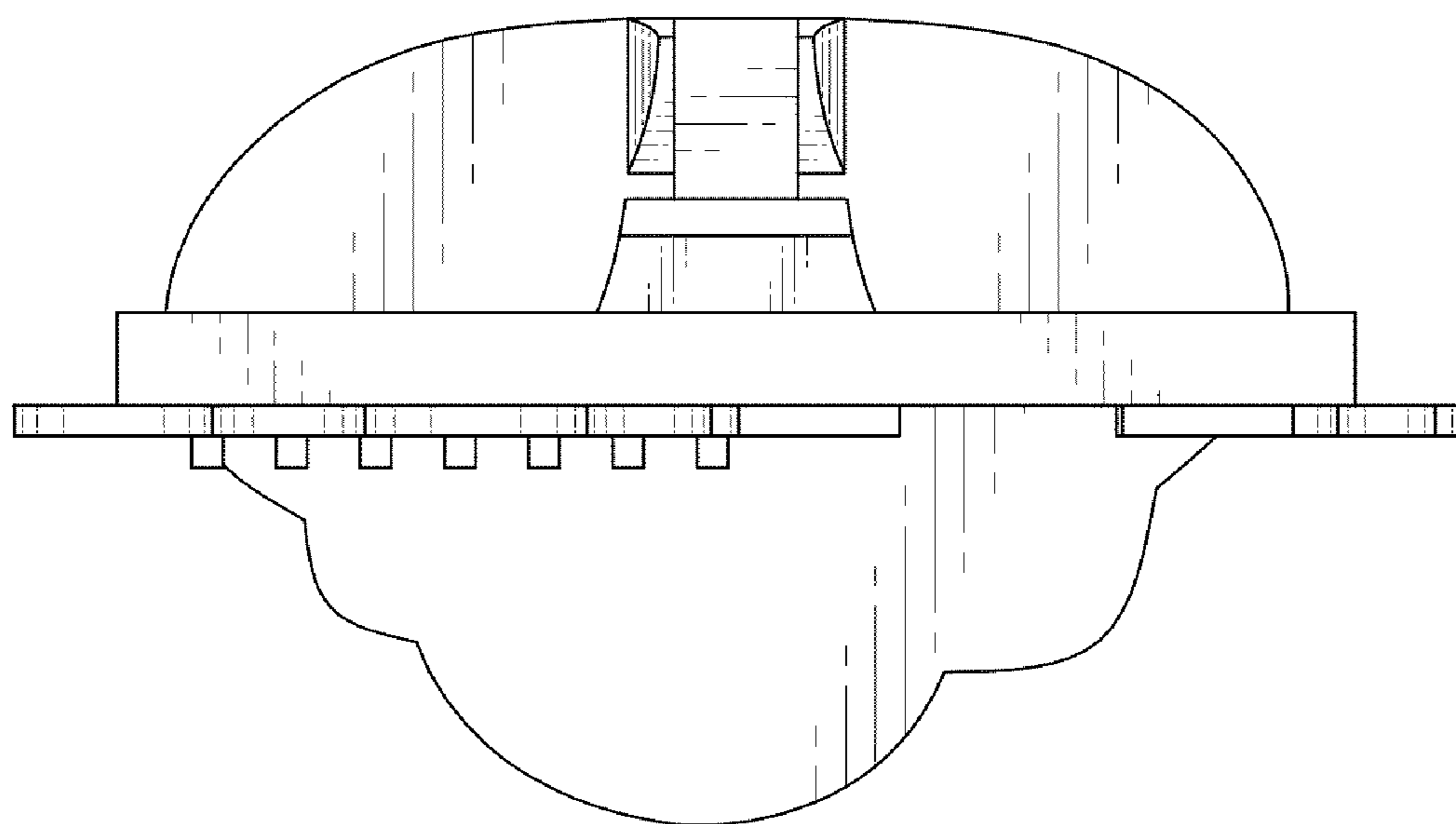


FIG. 6

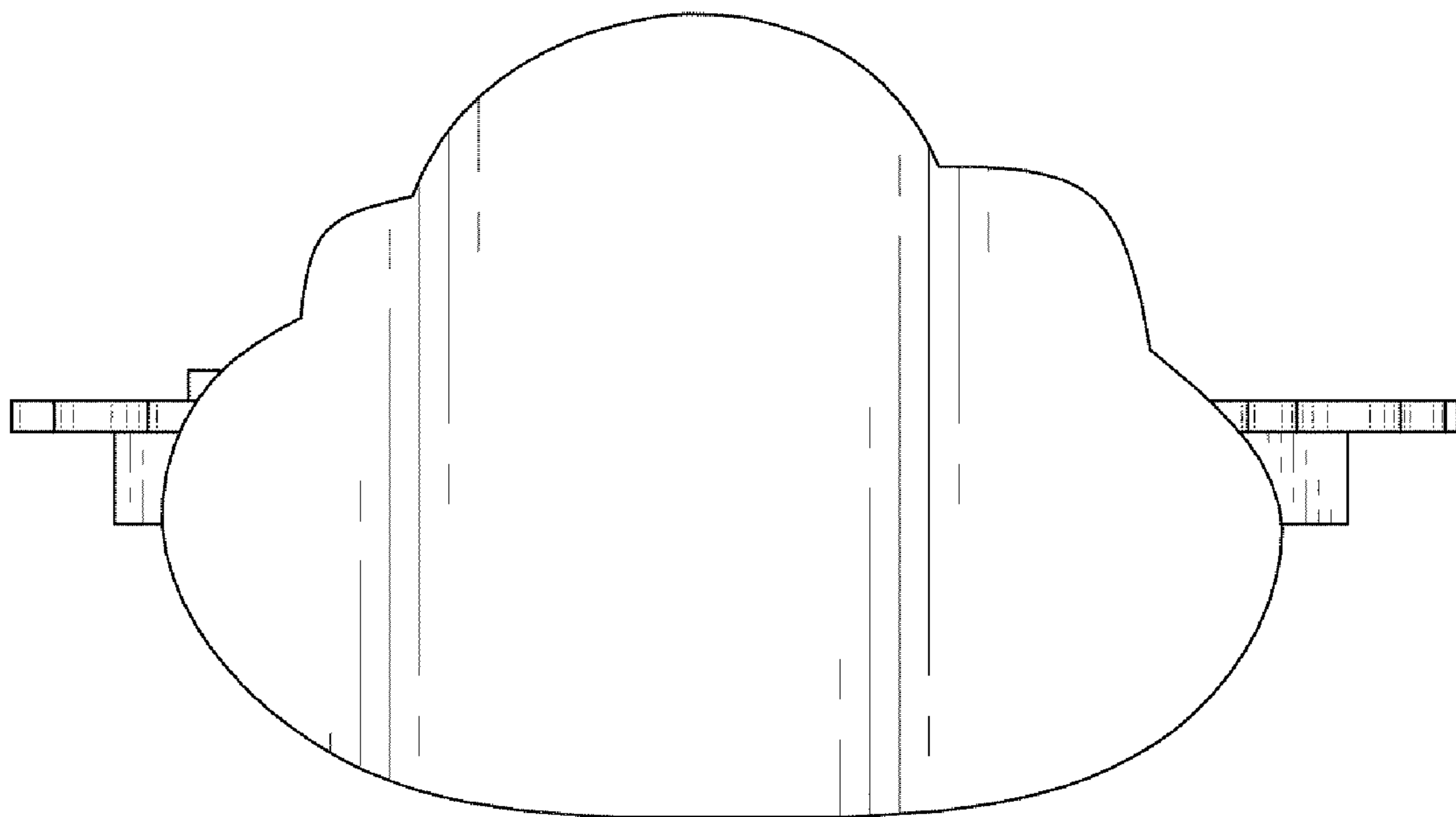


FIG. 7