



US00D649944S

(12) **United States Design Patent**
Kuwaharada et al.

(10) **Patent No.:** **US D649,944 S**

(45) **Date of Patent:** **** *Dec. 6, 2011**

- (54) **LIGHT EMITTING DIODE**
- (75) Inventors: **Takashi Kuwaharada**, Kagoshima (JP);
Tooru Aoyagi, Kyoto (JP); **Tomoyuki Kusano**, Kagoshima (JP)
- (73) Assignee: **Panasonic Corporation**, Osaka (JP)
- (*) Notice: This patent is subject to a terminal disclaimer.
- (**) Term: **14 Years**
- (21) Appl. No.: **29/382,034**
- (22) Filed: **Dec. 28, 2010**

7,602,559	B2 *	10/2009	Jang et al.	359/726
7,703,942	B2 *	4/2010	Narendran et al.	362/231
D615,504	S *	5/2010	Keller et al.	D13/180
7,709,853	B2 *	5/2010	Medendorp, Jr.	257/99
D618,636	S	6/2010	Hsieh	
7,748,873	B2 *	7/2010	Kim et al.	362/328
7,762,692	B2 *	7/2010	Lai et al.	362/311.02
D623,610	S	9/2010	Mallory et al.	
7,798,678	B2 *	9/2010	Destain	362/311.02
7,821,023	B2 *	10/2010	Yuan et al.	257/98
D626,523	S	11/2010	Mallory et al.	
D628,965	S *	12/2010	Kuwaharada et al.	D13/180
D628,966	S *	12/2010	Kuwaharada et al.	D13/180
D636,741	S *	4/2011	Kuwaharada et al.	D13/180
D636,742	S *	4/2011	Kuwaharada et al.	D13/180
D636,743	S *	4/2011	Kuwaharada et al.	D13/180
2004/0136197	A1 *	7/2004	Ishida	362/487

(Continued)

- (30) **Foreign Application Priority Data**
Jul. 7, 2010 (JP) 2010-016555
- (51) **LOC (9) Cl.** **13-03**
- (52) **U.S. Cl.** **D13/180**
- (58) **Field of Classification Search** D13/180;
D26/2, 120; 257/79, 80, 81, 88, 89, 95, 98,
257/99, 100, E33.058; 313/483, 498, 500;
362/555, 800
See application file for complete search history.

FOREIGN PATENT DOCUMENTS

JP	D1298732	4/2007
----	----------	--------

(Continued)

Primary Examiner — Selina Sikder
(74) *Attorney, Agent, or Firm* — Brinks Hofer Gilson & Lione

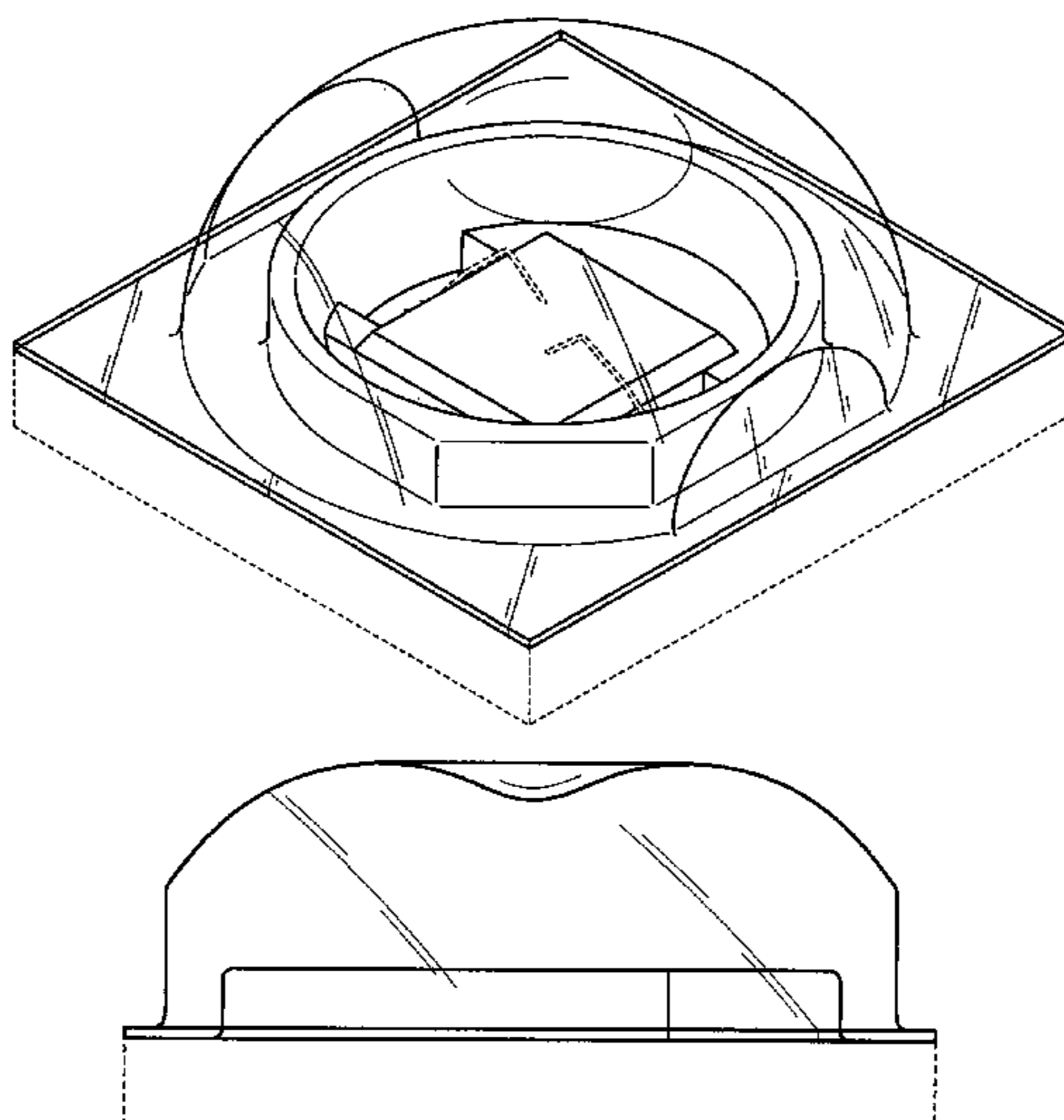
(57) **CLAIM**
We claim the ornamental design for a light emitting diode, as shown and described.

- (56) **References Cited**
U.S. PATENT DOCUMENTS
5,722,760 A * 3/1998 Chien 362/84
7,211,835 B2 * 5/2007 Ono 257/99
7,352,011 B2 * 4/2008 Smits et al. 257/99
D571,316 S 6/2008 Lee et al.
D572,210 S 7/2008 Lee
D573,550 S 7/2008 Lee
D573,551 S 7/2008 Lee
D575,244 S 8/2008 Lee
D578,671 S 10/2008 Kanayama et al.
D581,884 S 12/2008 Yen
D591,696 S 5/2009 Okada et al.
D594,827 S 6/2009 Loh et al.
D598,871 S 8/2009 Eberle et al.

DESCRIPTION

FIG. 1 is a top perspective view of a light emitting diode of the present invention;
FIG. 2 is a front view thereof;
FIG. 3 is a rear view thereof;
FIG. 5 is a second side view thereof;
FIG. 6 is a top view thereof; and,
FIG. 7 is a bottom view thereof.
The broken line showing of light emitting diode is included for the purpose of illustrating environment and forms no part of the claimed design.

1 Claim, 5 Drawing Sheets



US D649,944 S

Page 2

U.S. PATENT DOCUMENTS

2004/0180459	A1 *	9/2004	Hsu	438/26	JP	D1298938	4/2007
2004/0196663	A1 *	10/2004	Ishida et al.	362/539	JP	D1308765	8/2007
2004/0227149	A1 *	11/2004	Ibbetson et al.	257/100	JP	D1349724	1/2009
2005/0263785	A1 *	12/2005	Kim et al.	257/100	JP	D1349725	1/2009
2006/0034097	A1 *	2/2006	Hahm et al.	362/555	JP	D1355076	4/2009
2006/0081863	A1 *	4/2006	Kim et al.	257/98	JP	D1363307	6/2009
2006/0273338	A1 *	12/2006	Lee et al.	257/99	JP	D1363679	6/2009
2007/0029563	A1 *	2/2007	Amano et al.	257/98	JP	D1363680	6/2009
2008/0002412	A1 *	1/2008	Tanaka et al.	362/307	JP	D1394065	8/2010
2008/0007966	A1 *	1/2008	Ohkawa	362/608	JP	D1394066	8/2010
2008/0013322	A1 *	1/2008	Ohkawa	362/311	JP	D1394067	8/2010
2008/0054280	A1 *	3/2008	Reginelli et al.	257/98	JP	D1394494	8/2010
2008/0087907	A1 *	4/2008	Park et al.	257/98	JP	D1394495	8/2010
2008/0297020	A1 *	12/2008	Wanninger et al.	313/110	JP	D1394496	8/2010
2009/0242914	A1 *	10/2009	Ku	257/98	JP	D1398521	10/2010

FOREIGN PATENT DOCUMENTS

JP D1298733 4/2007

* cited by examiner

FIG.1

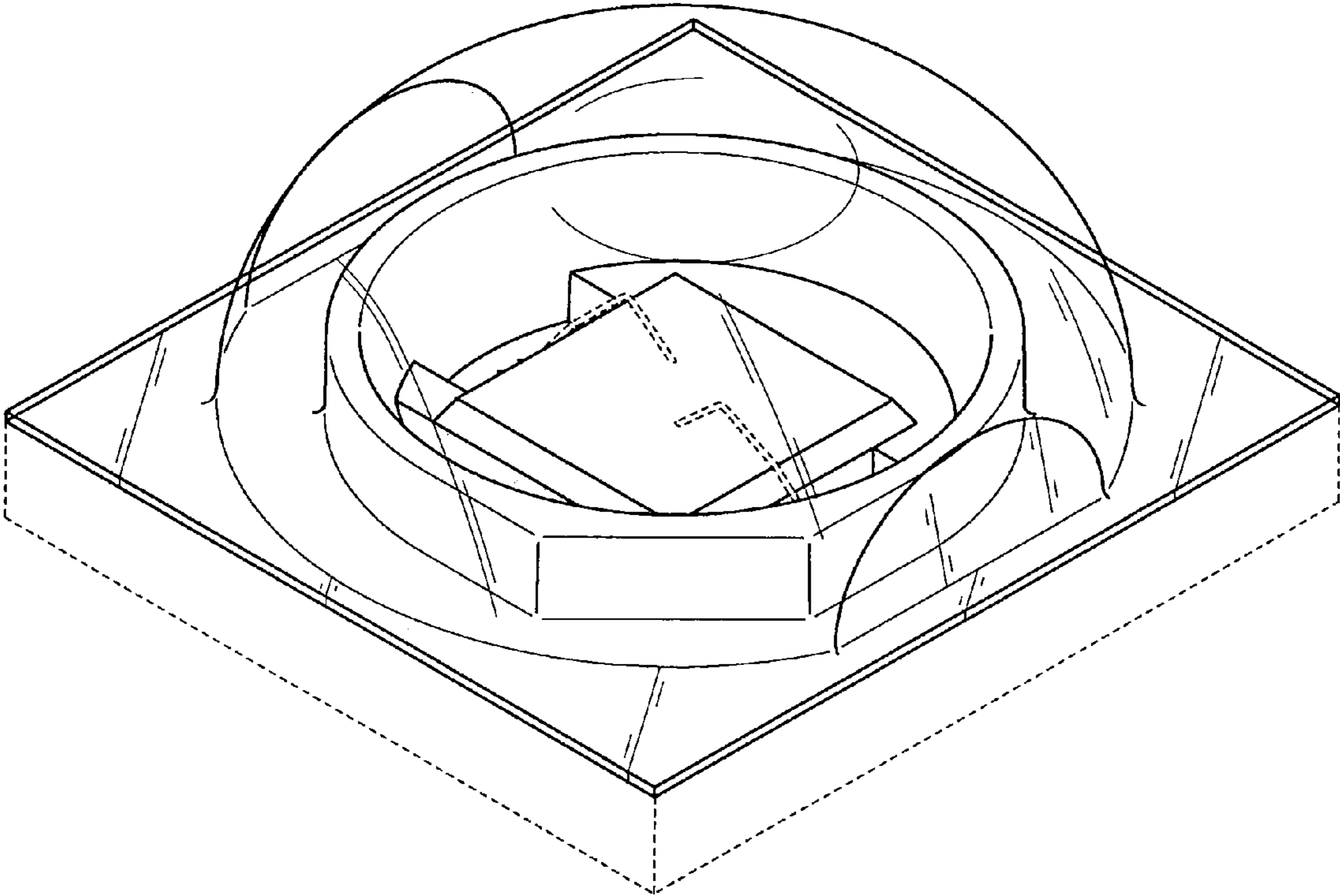


FIG.2

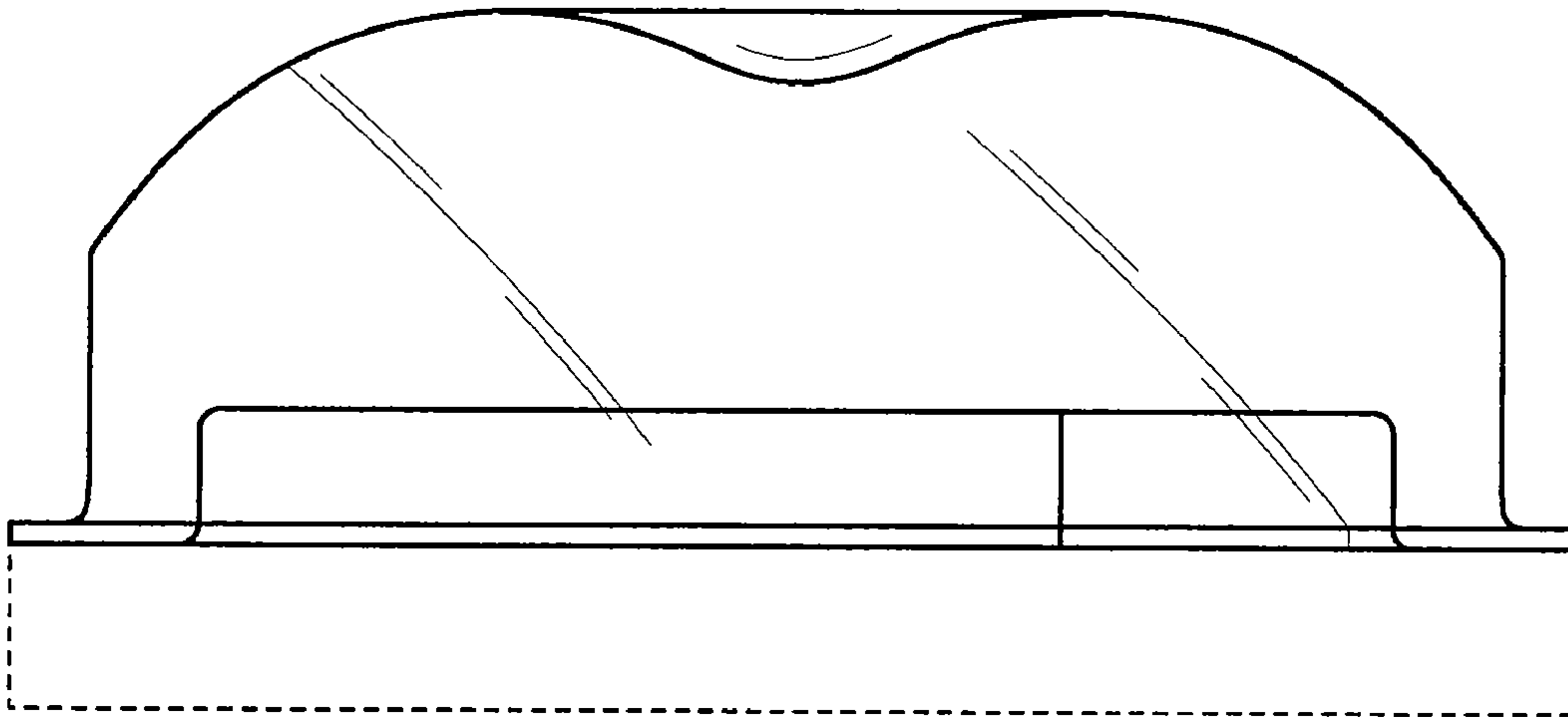


FIG.3

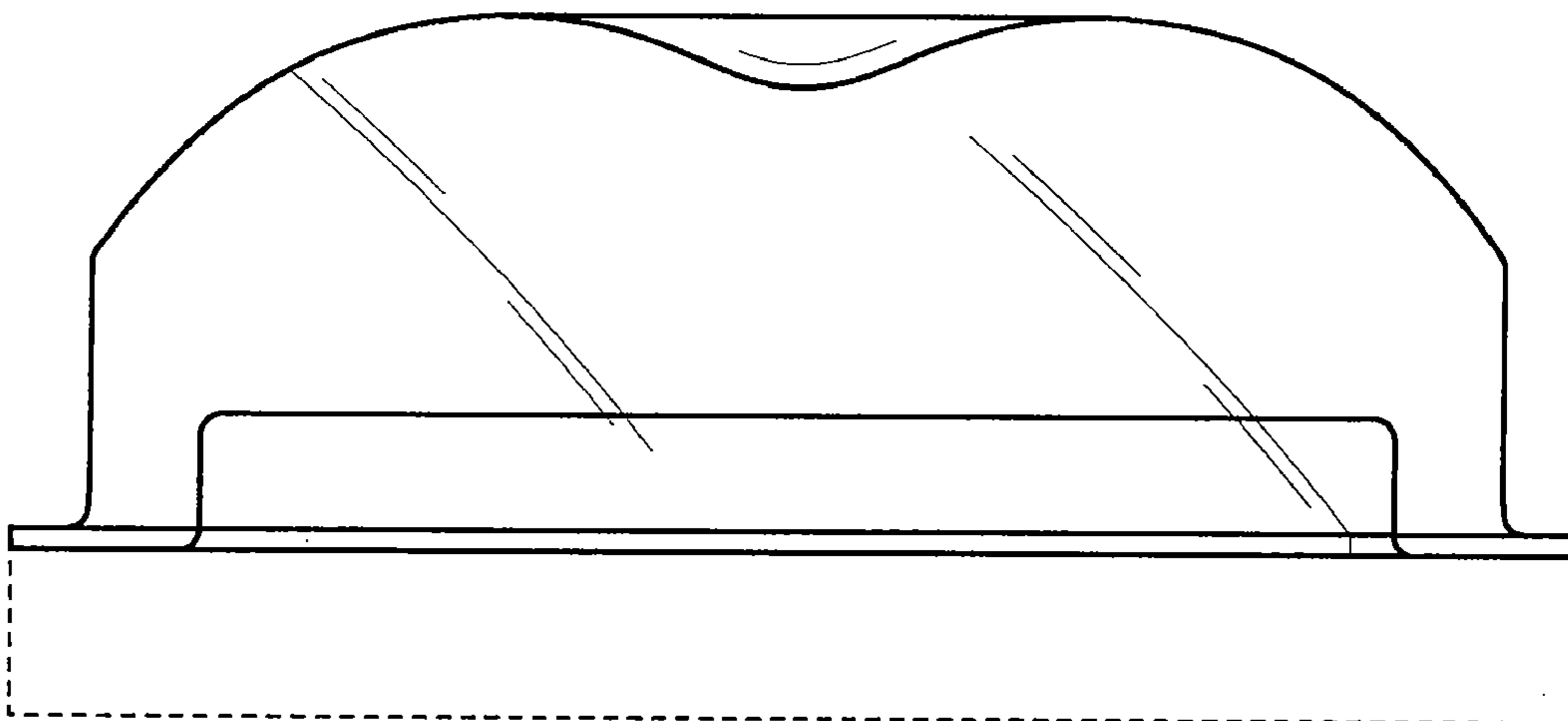


FIG.4

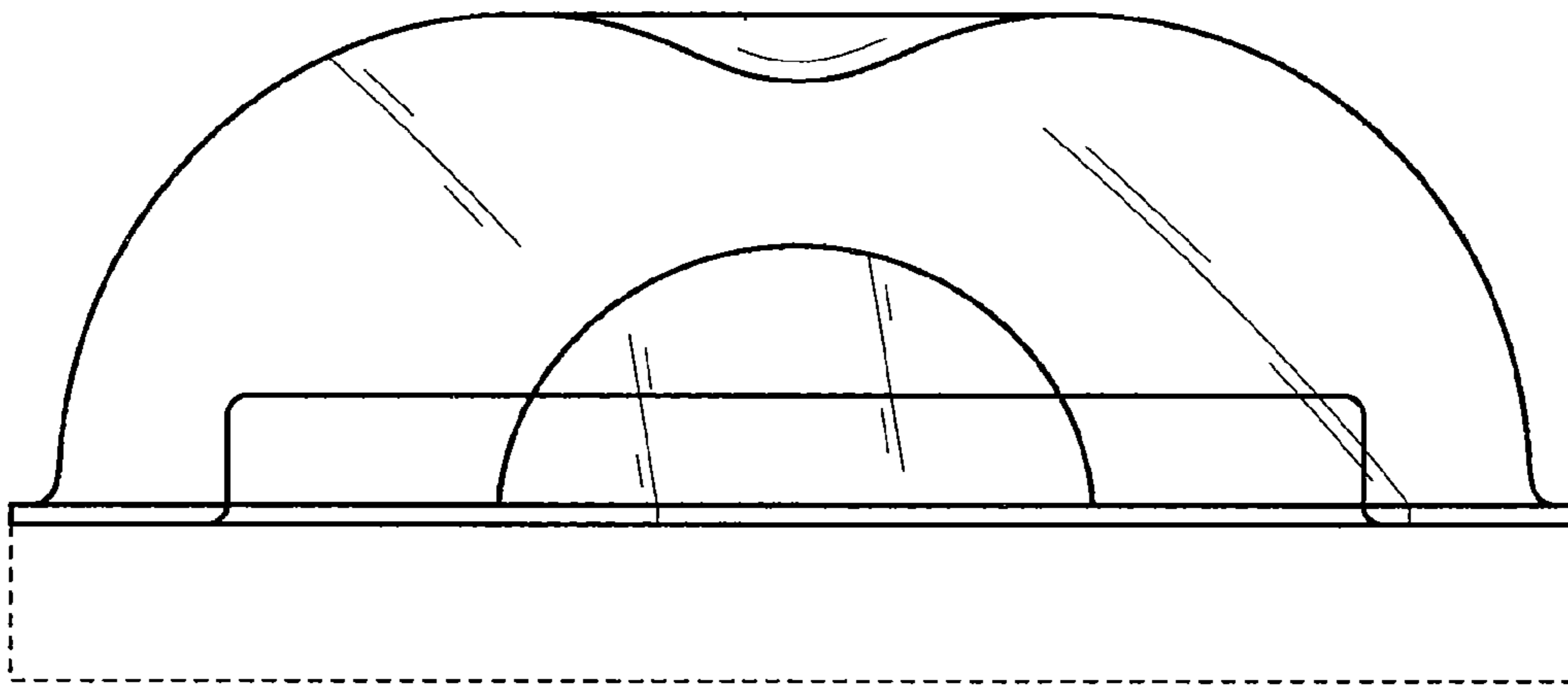


FIG.5

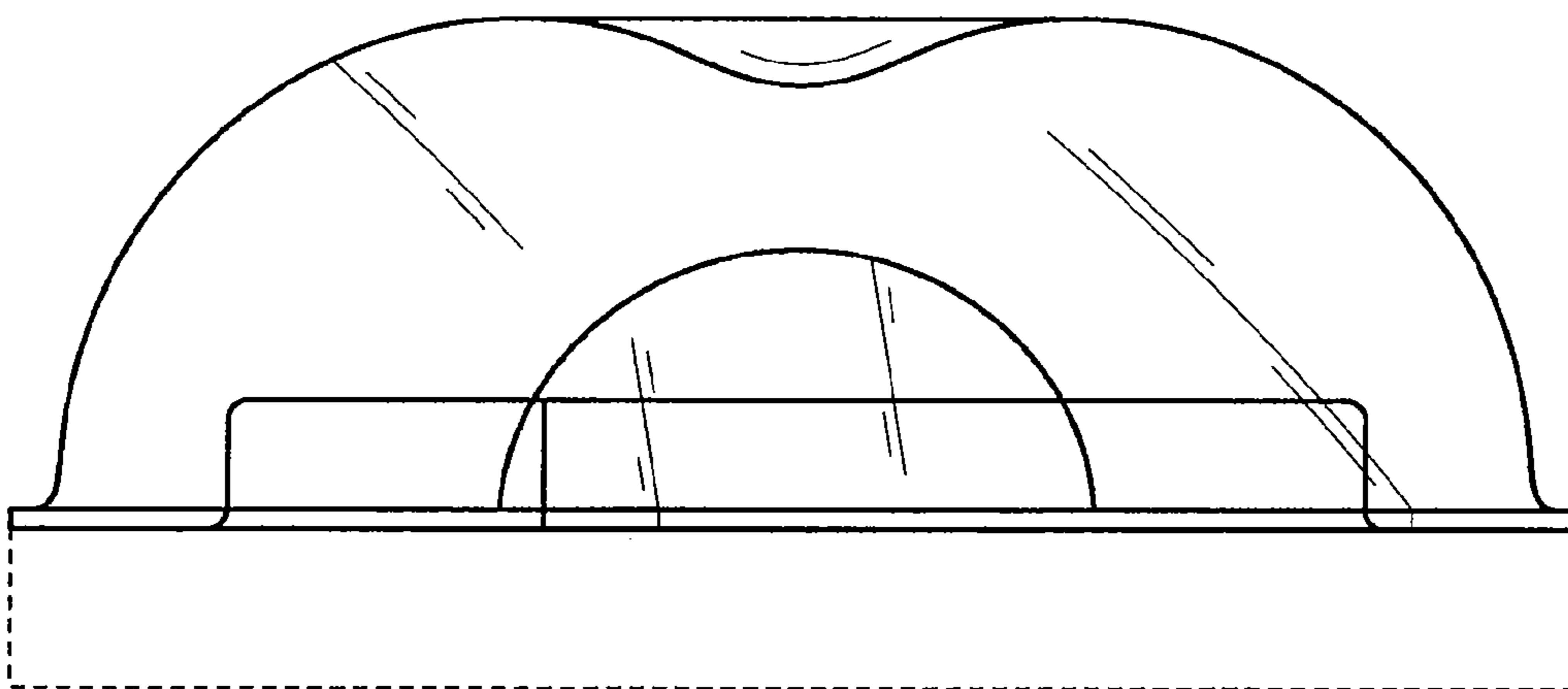


FIG.6

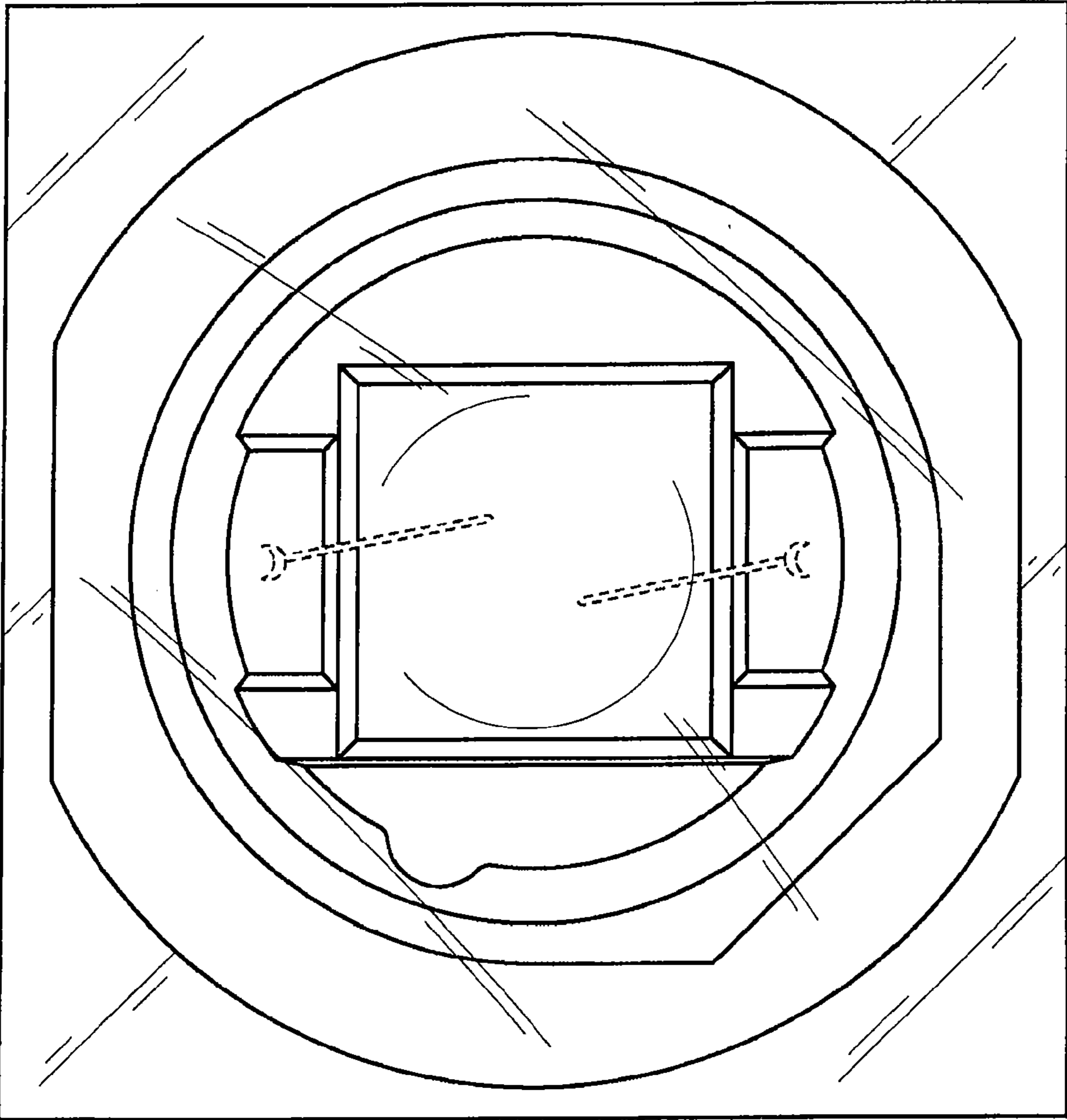


FIG.7

