



US00D649940S

(12) **United States Design Patent**  
**Arai et al.**

(10) **Patent No.:** **US D649,940 S**

(45) **Date of Patent:** **\*\* Dec. 6, 2011**

(54) **ELECTRICAL CONNECTOR**

(75) Inventors: **Junichi Arai**, Isesaki (JP); **Takao Asano**, Isesaki (JP)

(73) Assignee: **Hosiden Corporation**, Yao-shi (JP)

(\*\*) Term: **14 Years**

(21) Appl. No.: **29/397,092**

(22) Filed: **Jul. 12, 2011**

(30) **Foreign Application Priority Data**

Jan. 13, 2011 (JP) ..... 2011-000520

(51) **LOC (9) Cl.** ..... **13-03**

(52) **U.S. Cl.** ..... **D13/147**

(58) **Field of Classification Search** ..... D13/147,  
D13/154, 184, 199; 439/188, 256, 344, 607.1,  
439/607.4, 607.5, 607.17, 607.25, 607.34,  
439/607.41, 607.53, 660, 676

See application file for complete search history.

(56) **References Cited**

**U.S. PATENT DOCUMENTS**

D478,320 S \* 8/2003 Suzuki et al. .... D13/147  
D482,002 S \* 11/2003 Suzuki et al. .... D13/147

D482,331 S \* 11/2003 Suzuki et al. .... D13/147  
D510,909 S \* 10/2005 Tsai ..... D13/147  
D559,189 S \* 1/2008 Arai et al. .... D13/147  
D559,190 S \* 1/2008 Arai et al. .... D13/147  
D611,424 S \* 3/2010 Arai et al. .... D13/147

\* cited by examiner

*Primary Examiner* — Daniel Bui

(74) *Attorney, Agent, or Firm* — Rankin, Hill & Clark LLP

(57) **CLAIM**

The ornamental design for an electrical connector, as shown and described.

**DESCRIPTION**

FIG. 1 is a front, right side and top perspective view of an electrical connector showing our new design;

FIG. 2 is a front, right side and bottom perspective view thereof;

FIG. 3 is a rear, right side and bottom perspective view thereof;

FIG. 4 is a front elevation view thereof;

FIG. 5 is a rear elevation view thereof;

FIG. 6 is a left side elevation view thereof, a right side elevation view being a mirror image thereof;

FIG. 7 is a top plan view thereof; and,

FIG. 8 is a bottom plan view thereof.

**1 Claim, 4 Drawing Sheets**

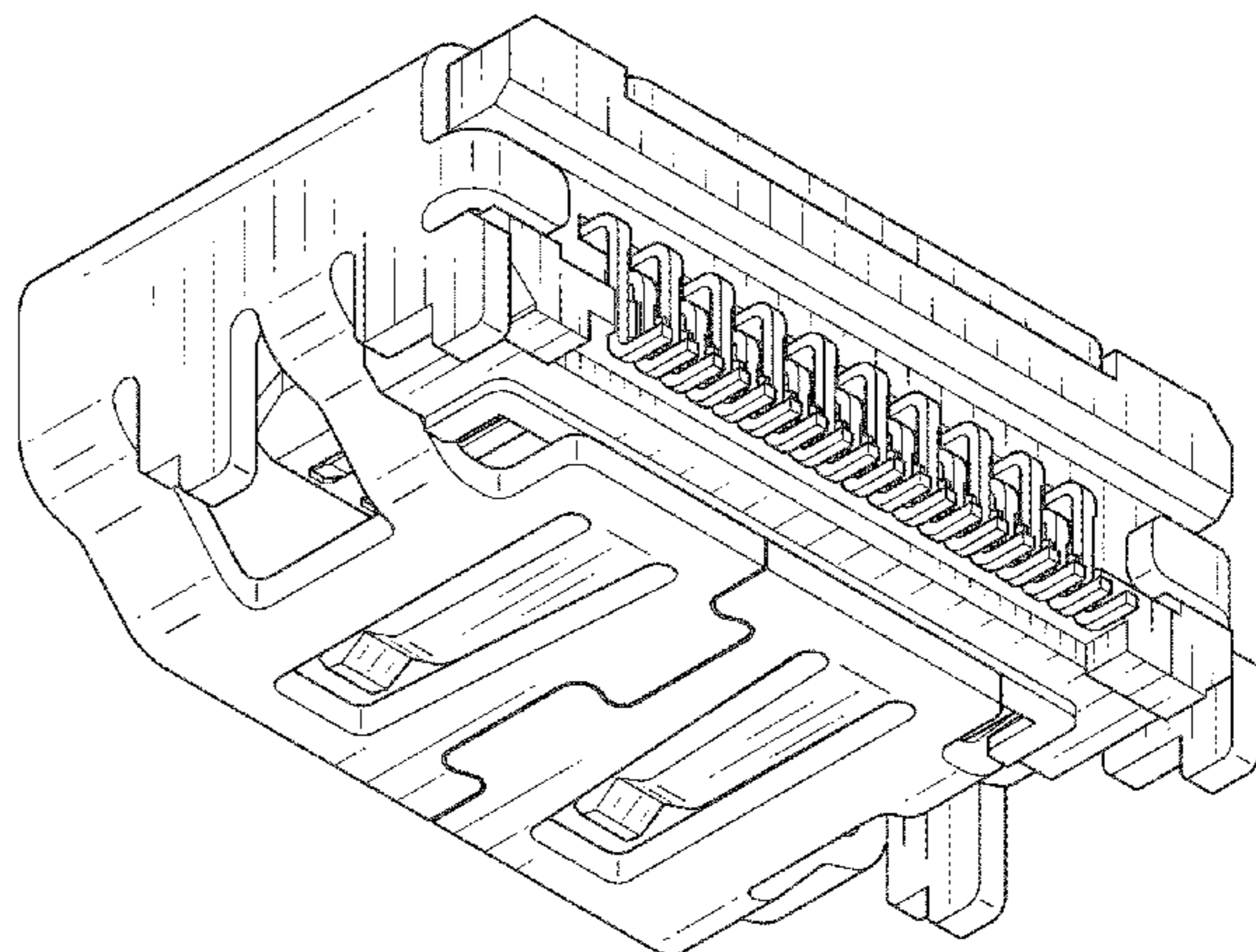
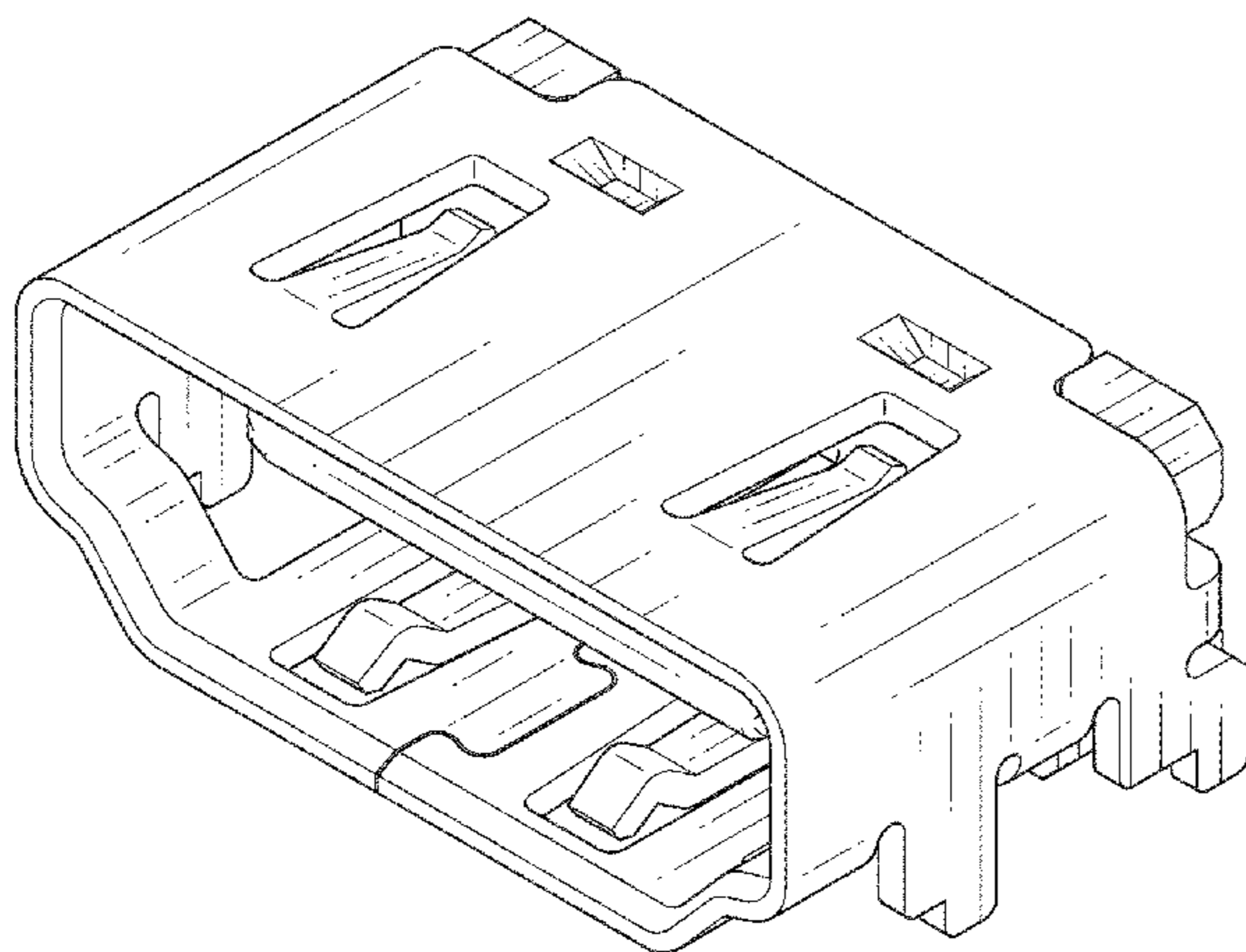


Fig. 1

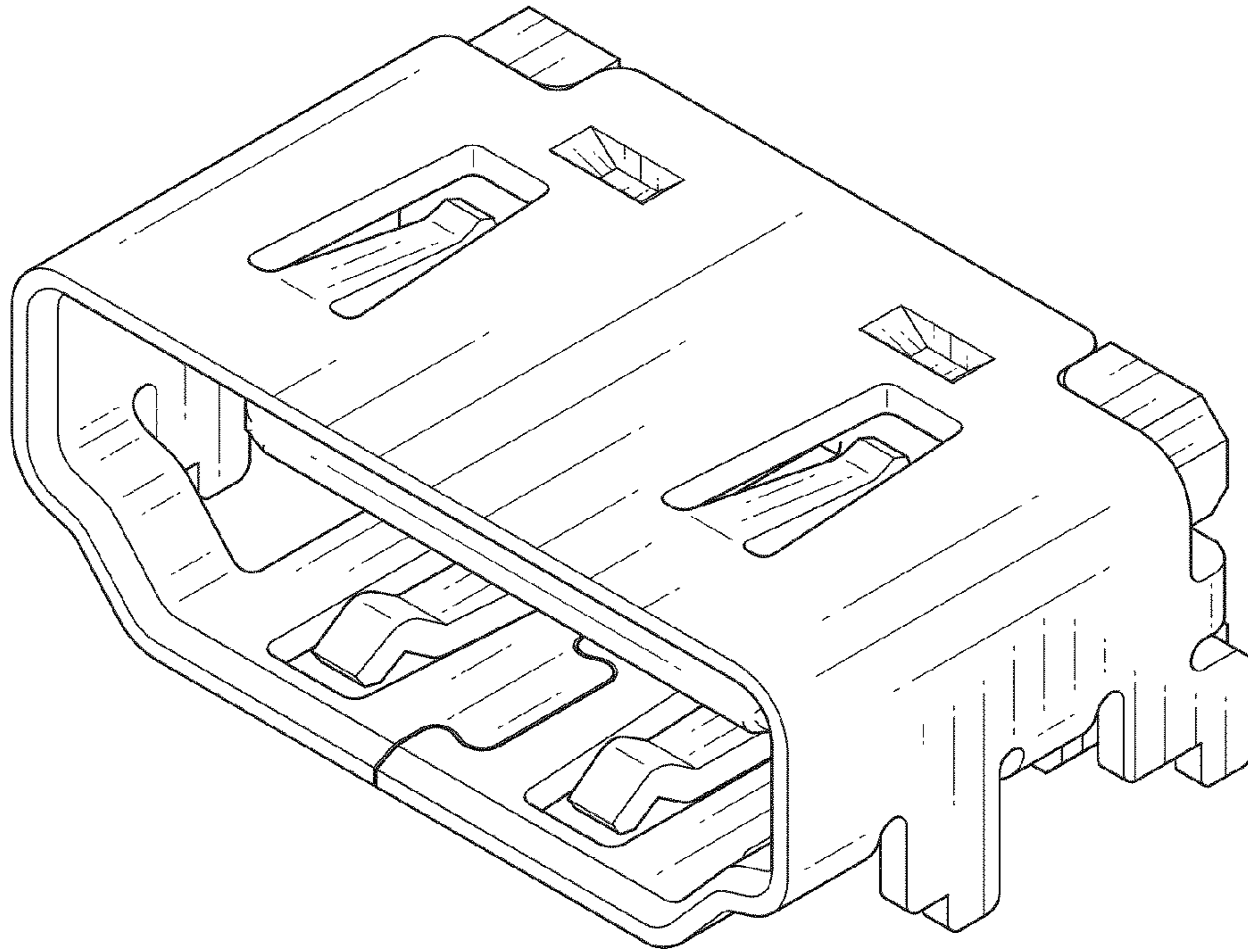


Fig. 2

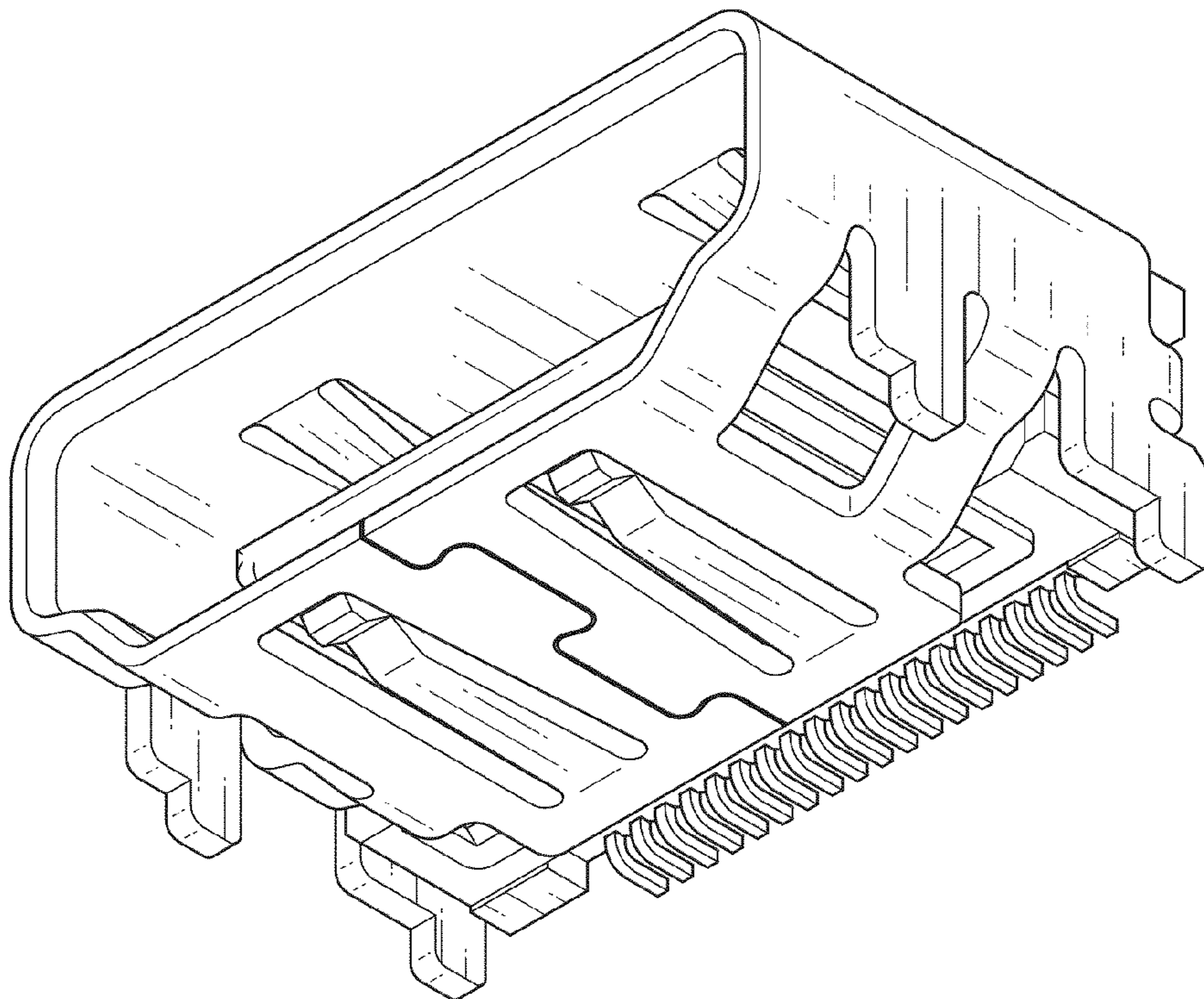




Fig. 3

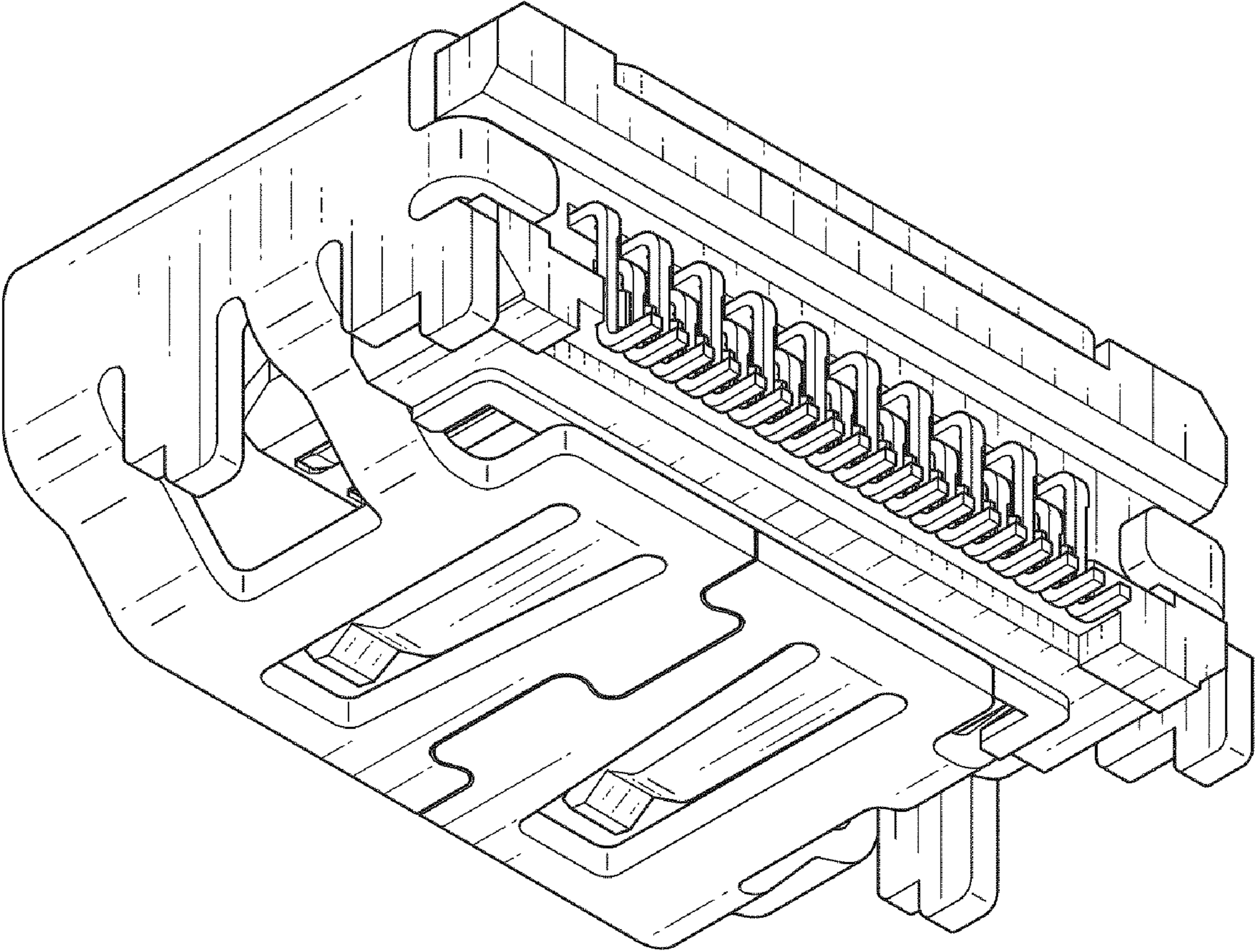


Fig. 4

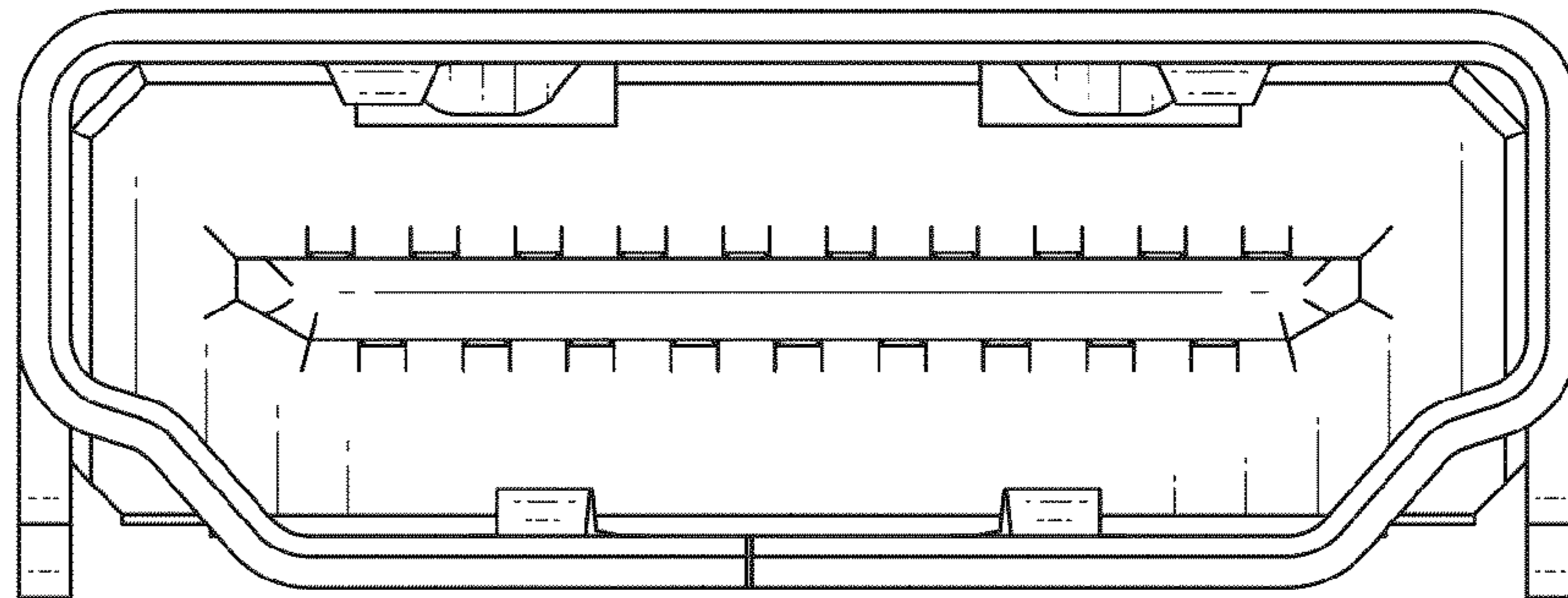


Fig. 5

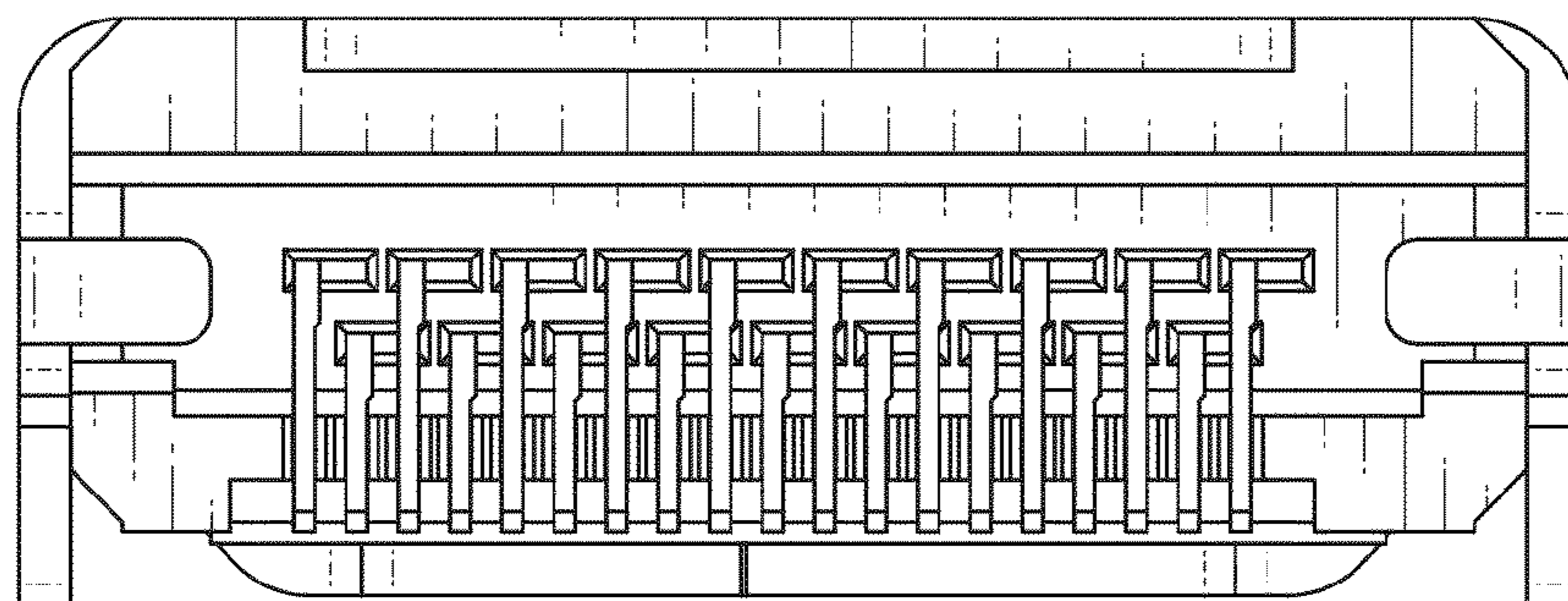


Fig. 6

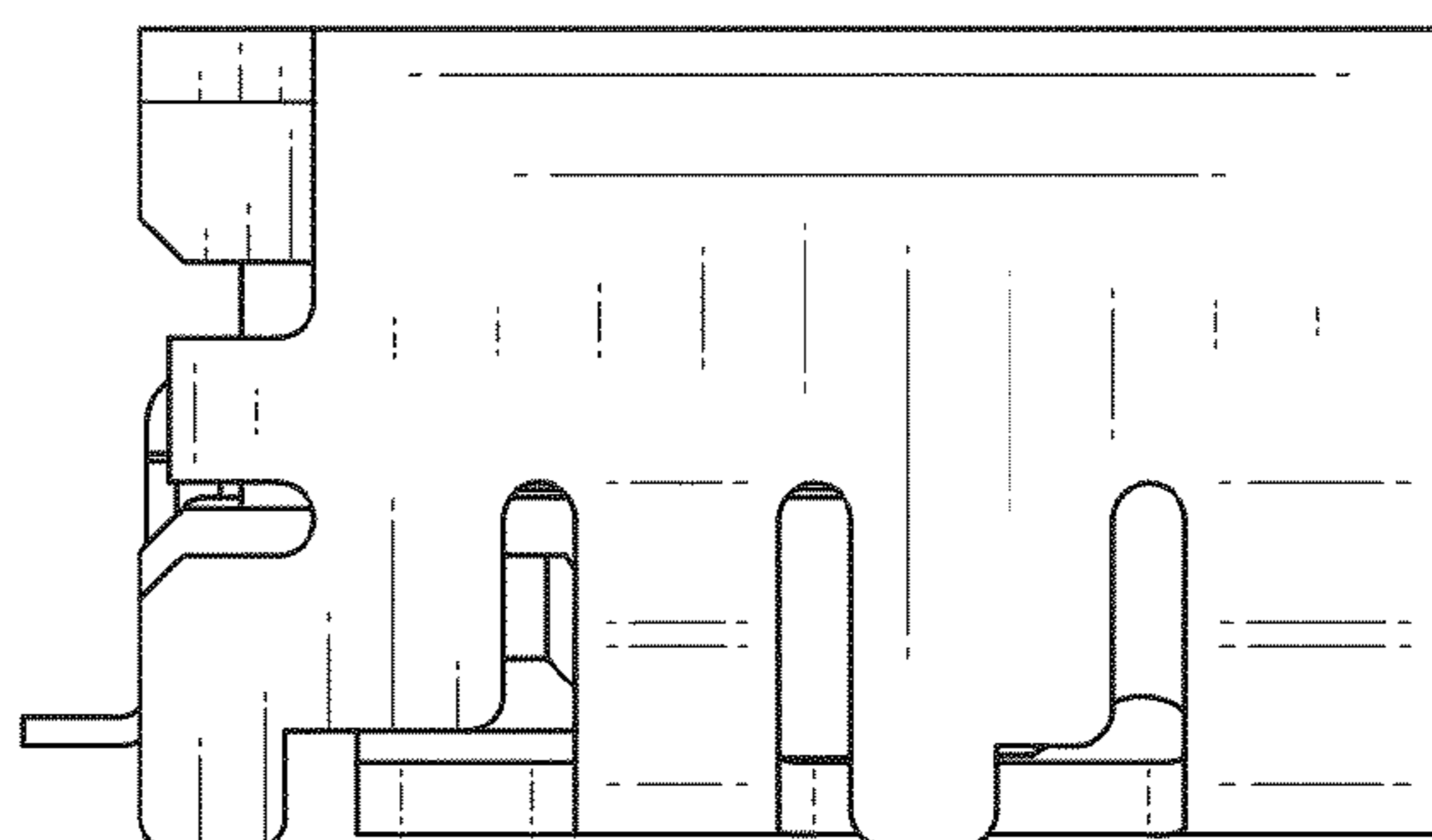


Fig. 7

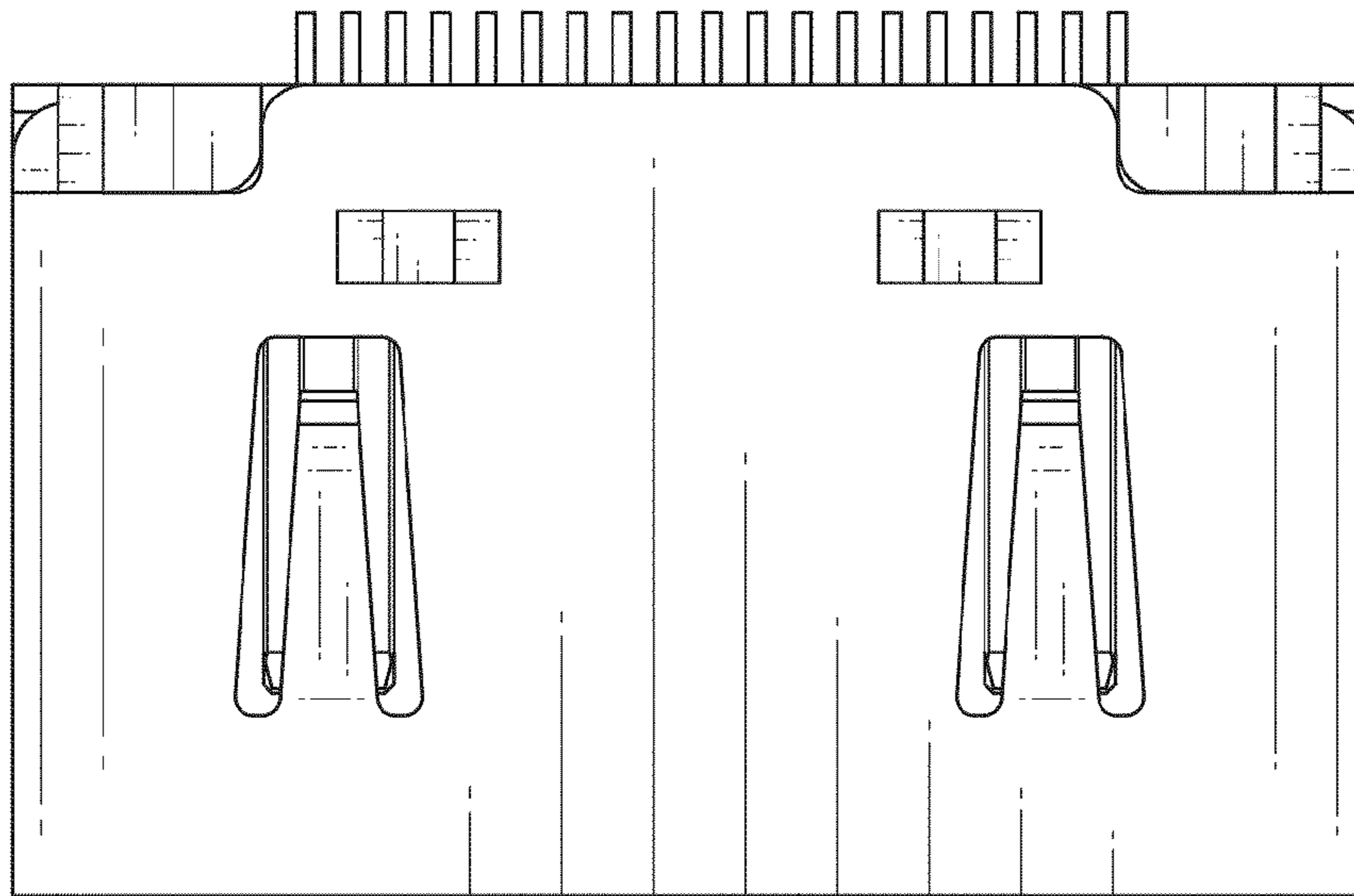


Fig. 8

