



US00D649938S

(12) **United States Design Patent**
Erickson et al.

(10) **Patent No.:** **US D649,938 S**

(45) **Date of Patent:** **** Dec. 6, 2011**

(54) **FLUID AND ELECTRICAL COUPLING**

(75) Inventors: **Jaime Richard Erickson**, New Prague, MN (US); **Robert K. Johnson**, Blaine, MN (US)

(73) Assignee: **Colder Products Company**, St. Paul, MN (US)

(**) Term: **14 Years**

(21) Appl. No.: **29/362,378**

(22) Filed: **May 25, 2010**

(51) **LOC (9) Cl.** **13-03**

(52) **U.S. Cl.** **D13/147**

(58) **Field of Classification Search** D13/133,
D13/146-147, 154, 184; D24/129; 174/88 C;
433/2, 3, 25, 27, 28, 49, 52, 91, 103, 118,
433/131; 439/178-179, 314-315, 359, 362,
439/372, 602, 699.2

See application file for complete search history.

(56) **References Cited**

U.S. PATENT DOCUMENTS

D161,900	S	*	2/1951	Burt et al.	D13/146
4,630,847	A	*	12/1986	Blenkush	285/29
D511,747	S	*	11/2005	Rey et al.	D13/147
D527,346	S	*	8/2006	Brodin	D13/146
D559,785	S	*	1/2008	Tosetti	D13/147

D585,837	S	*	2/2009	Kuehne et al.	D13/154
7,874,860	B2	*	1/2011	Starke et al.	439/320
2008/0194137	A1	*	8/2008	Kuo	439/489

OTHER PUBLICATIONS

Erickson, Jaime R., "Expanding the Capabilities of Connectors," *MDT Medical Design Technology*, Feb./Mar. 2009, 2 pages.
Excerpt from "Harting Industrial Connectors Han®," Aug. 9, 2010, 140 pages.

Exhs. A-C, Photographs of a Harting connector, admitted prior art as of the earliest effective filing date of the present application, 3 pages.

* cited by examiner

Primary Examiner — Daniel Bui

(74) *Attorney, Agent, or Firm* — Merchant & Gould P.C.

(57) **CLAIM**

The ornamental design for a fluid and electrical coupling, as shown and described.

DESCRIPTION

FIG. 1 is a top perspective view of a fluid and electrical coupling showing our new design.

FIG. 2 is an end view thereof.

FIG. 3 is a first side view thereof.

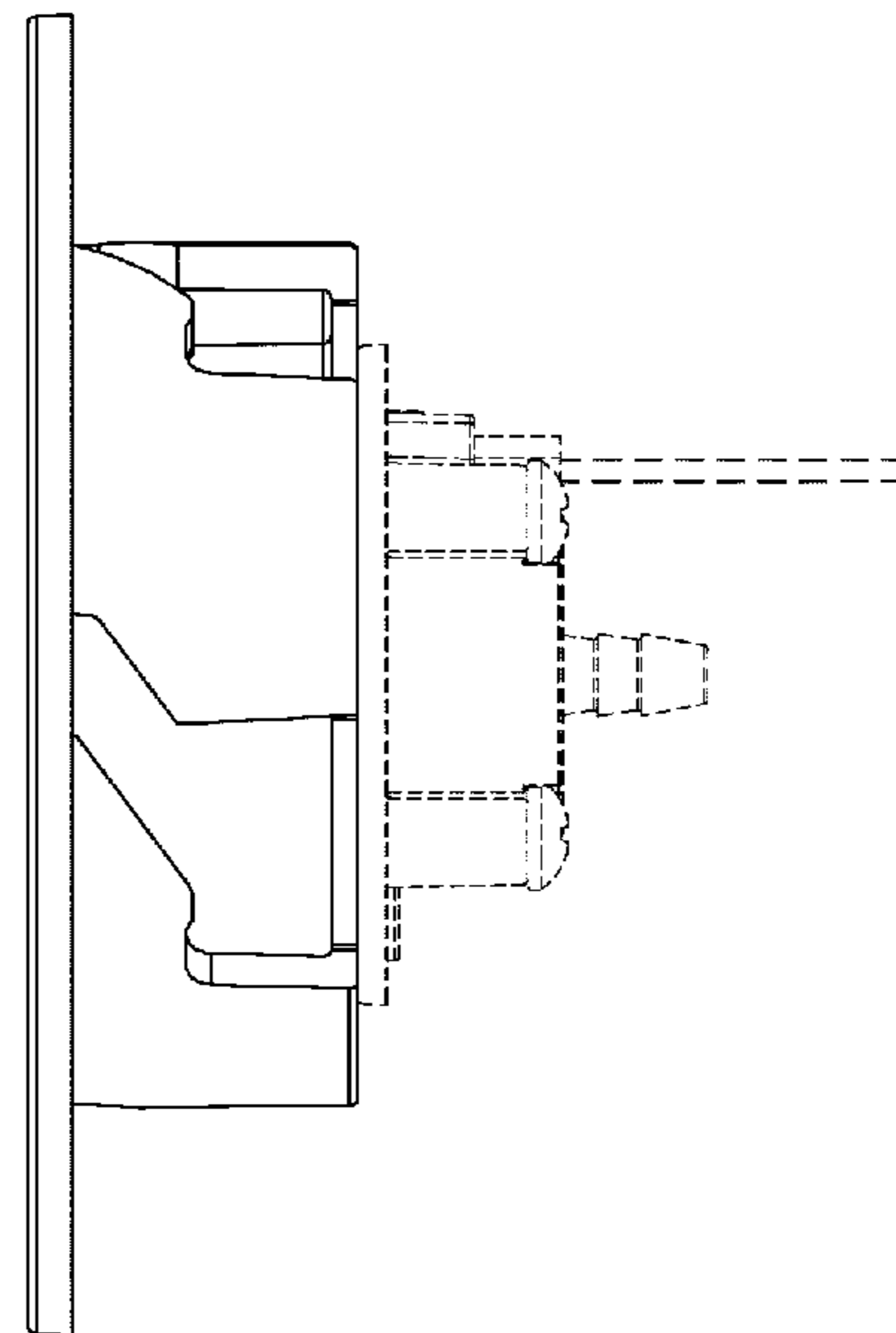
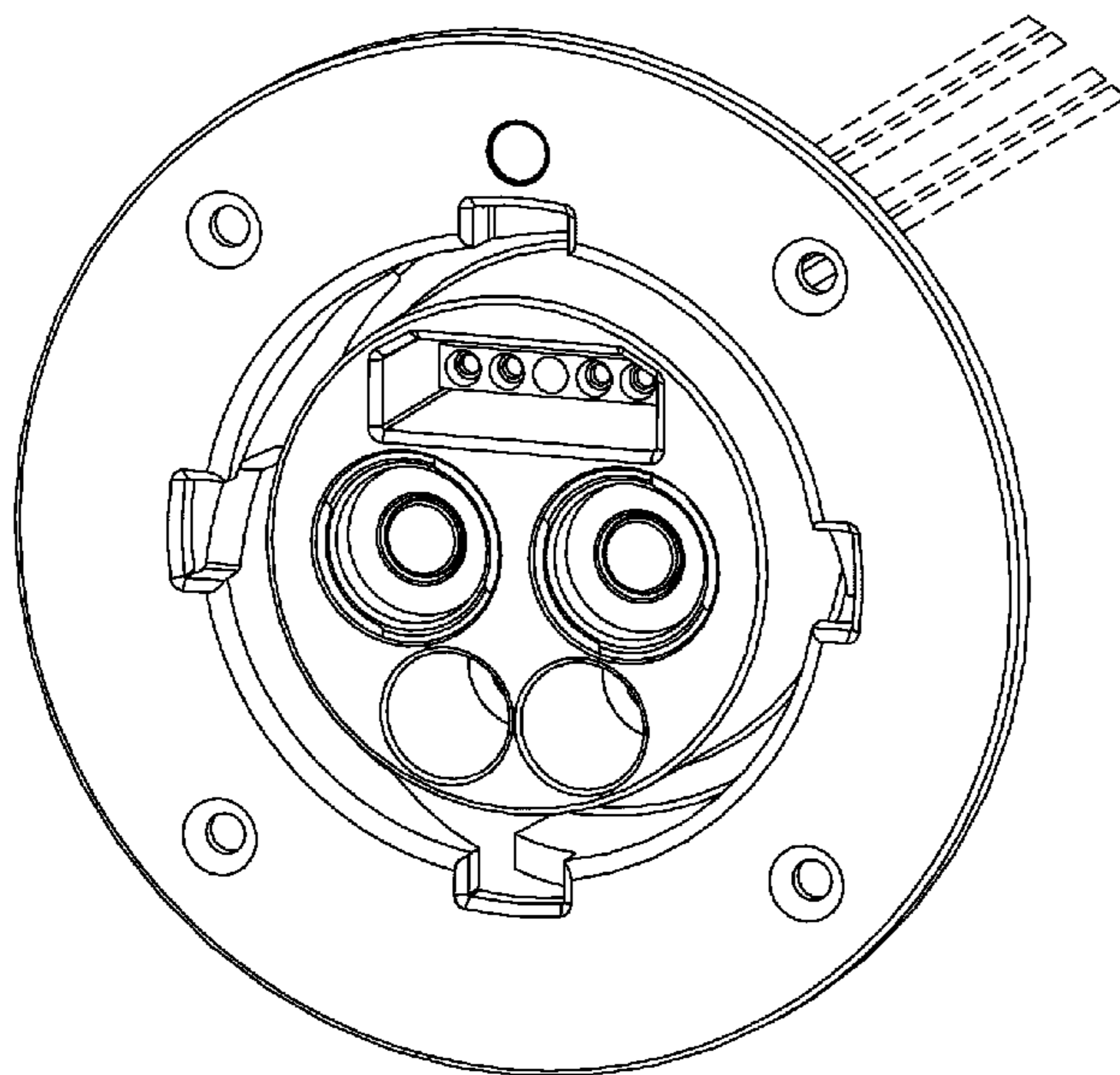
FIG. 4 is a second side view thereof.

FIG. 5 is top view thereof; and,

FIG. 6 is a bottom view thereof.

The broken line is included for the purpose of illustrating environment and forms no part of the claimed design.

1 Claim, 6 Drawing Sheets



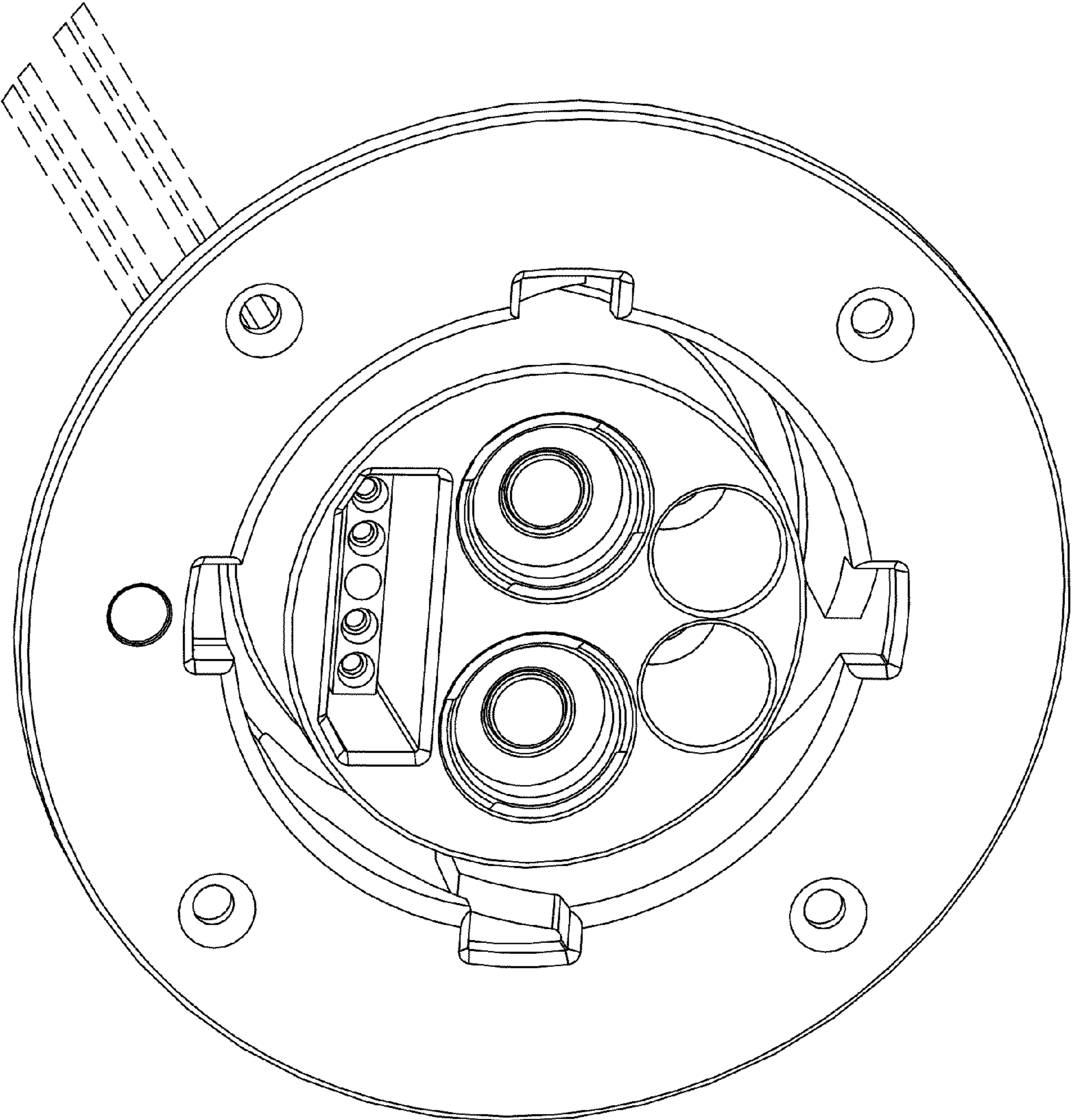


FIG. 1

FIG. 2

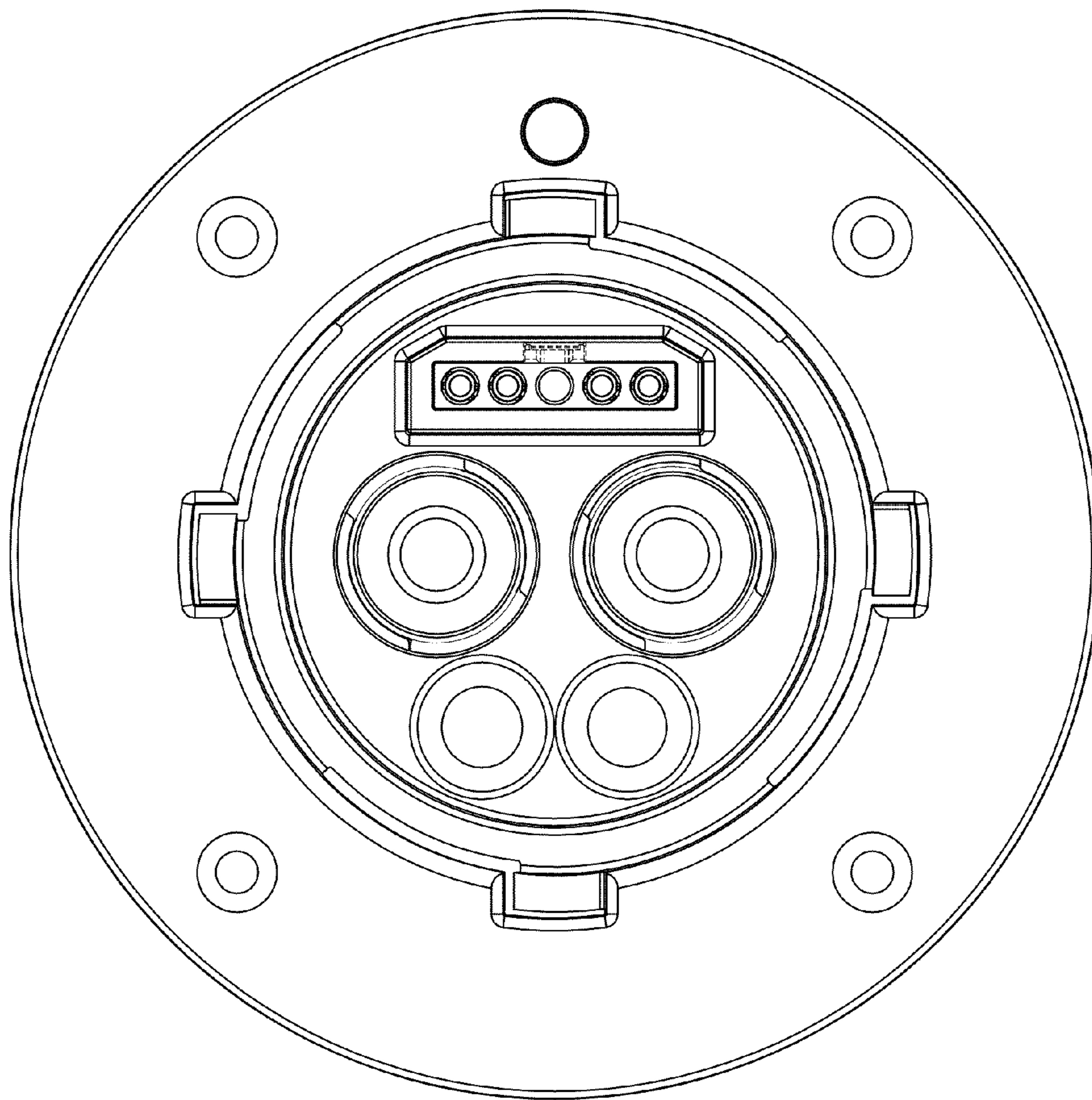


FIG. 3

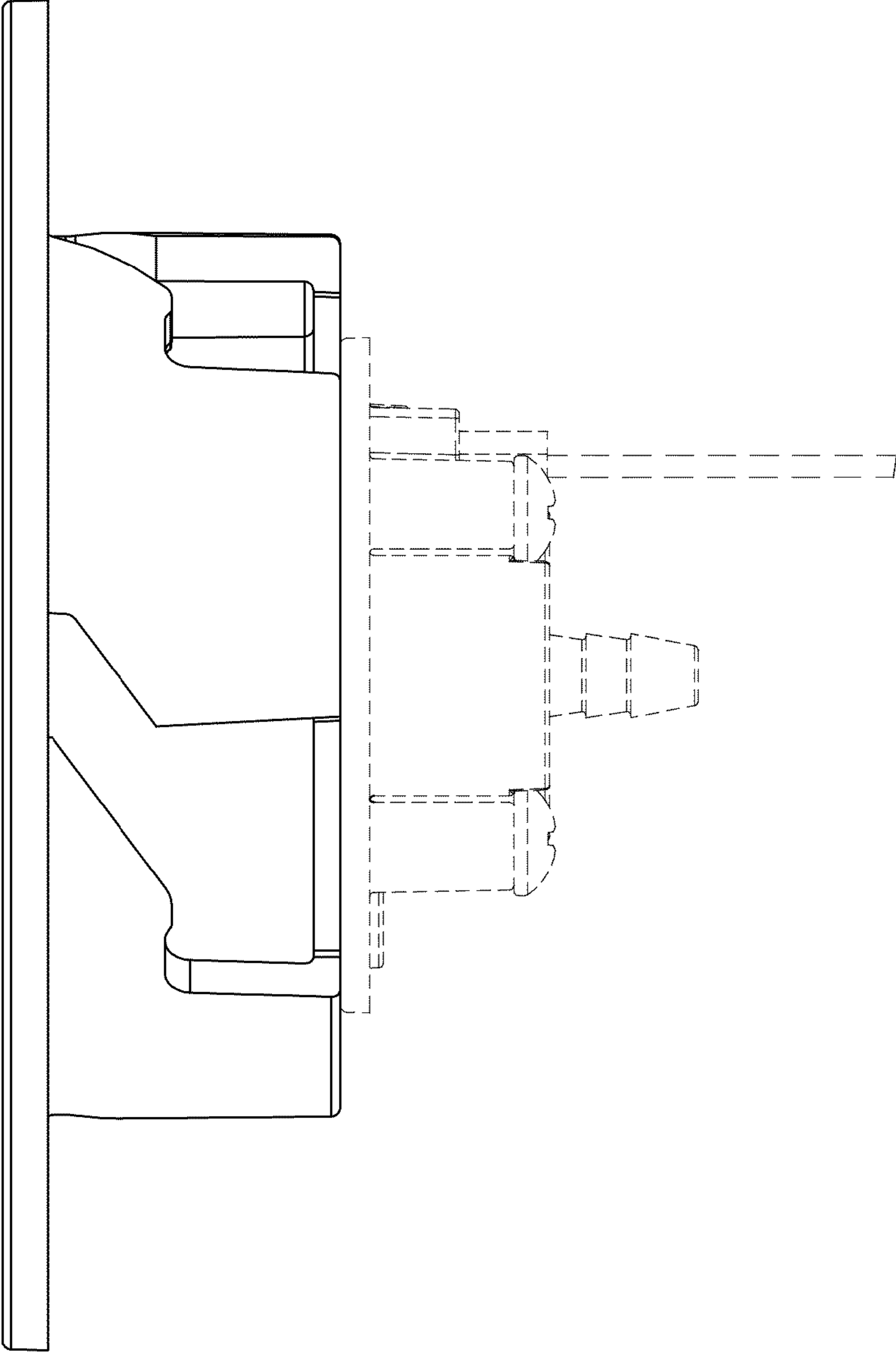


FIG. 4

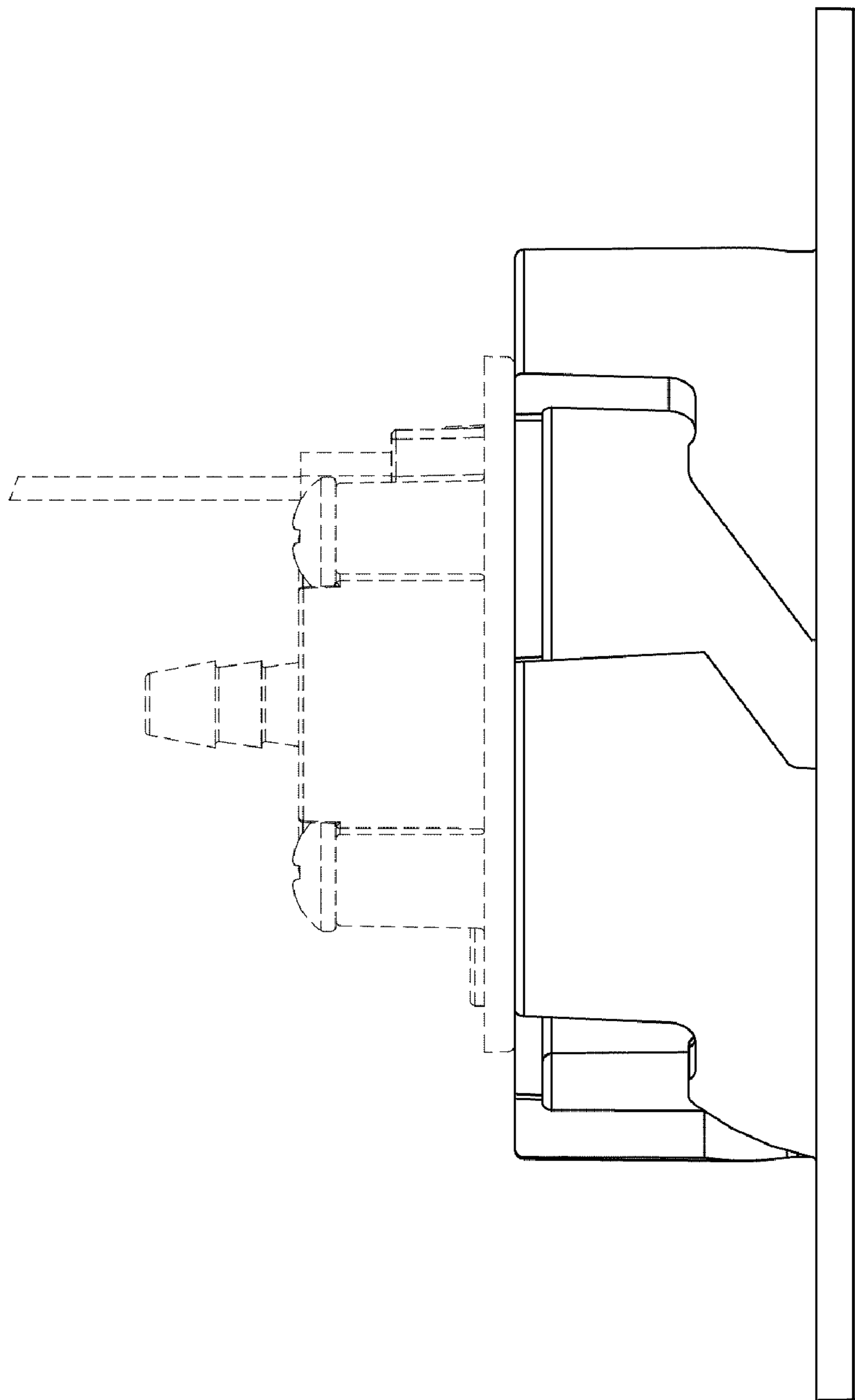


FIG. 5

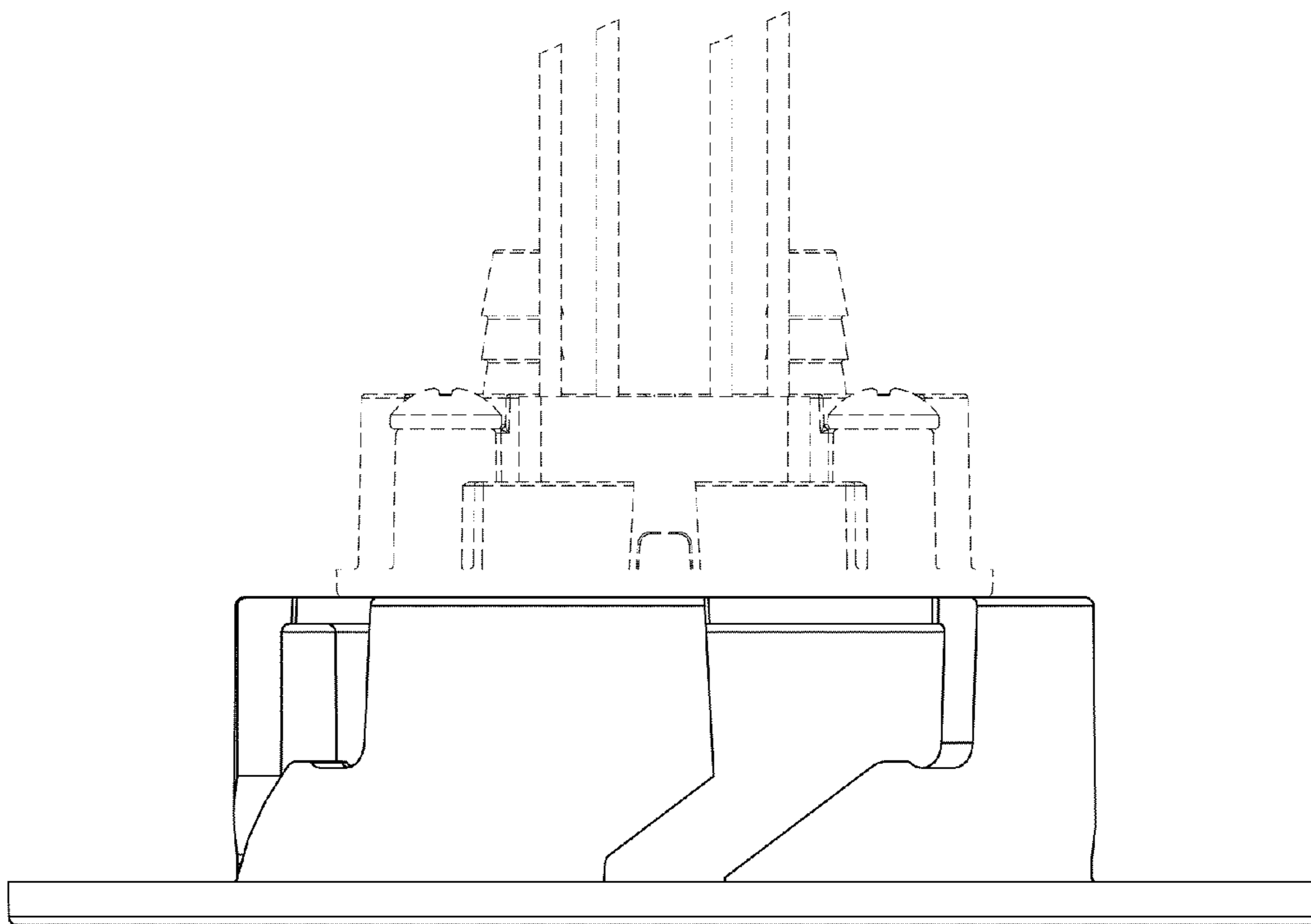


FIG. 6

