



US00D649937S

(12) **United States Design Patent**
Lan et al.

(10) **Patent No.:** **US D649,937 S**

(45) **Date of Patent:** **** Dec. 6, 2011**

(54) **CONNECTOR**

(75) Inventors: **Rong-Qin Lan**, Guang-Dong (CN);
Li-Jun Xu, Guang-Dong (CN)

(73) Assignee: **Cheng Uei Precision Industry Co., Ltd.**, Tu-Cheng, Taipei Hsien (TW)

(**) Term: **14 Years**

(21) Appl. No.: **29/381,887**

(22) Filed: **Dec. 23, 2010**

(51) **LOC (9) Cl.** **13-03**

(52) **U.S. Cl.** **D13/133**

(58) **Field of Classification Search** D13/120,
D13/146, 147, 154, 184, 199; 439/79, 108,
439/180, 246, 278, 350, 357, 358, 374, 381,
439/527, 533, 595, 680, 752, 892, 894
See application file for complete search history.

(56) **References Cited**

U.S. PATENT DOCUMENTS

D527,347 S * 8/2006 Shang Yen et al. D13/147
D556,690 S * 12/2007 Ikegami D13/147

D583,766 S * 12/2008 Chiang D13/147
D589,887 S * 4/2009 Lin et al. D13/147
D592,148 S * 5/2009 Ho D13/147

* cited by examiner

Primary Examiner — Daniel Bui

(74) *Attorney, Agent, or Firm* — Cheng-Ju Chiang

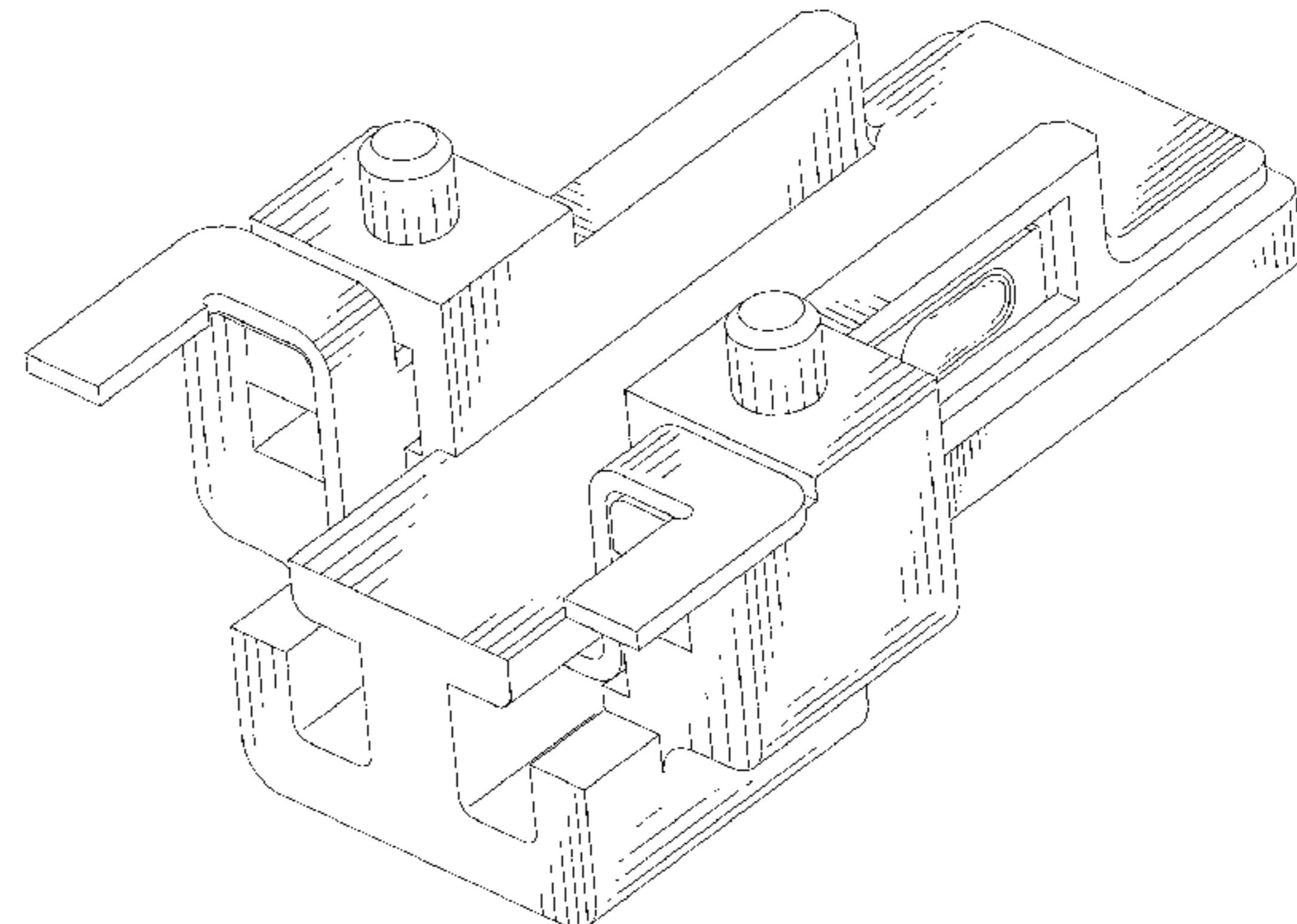
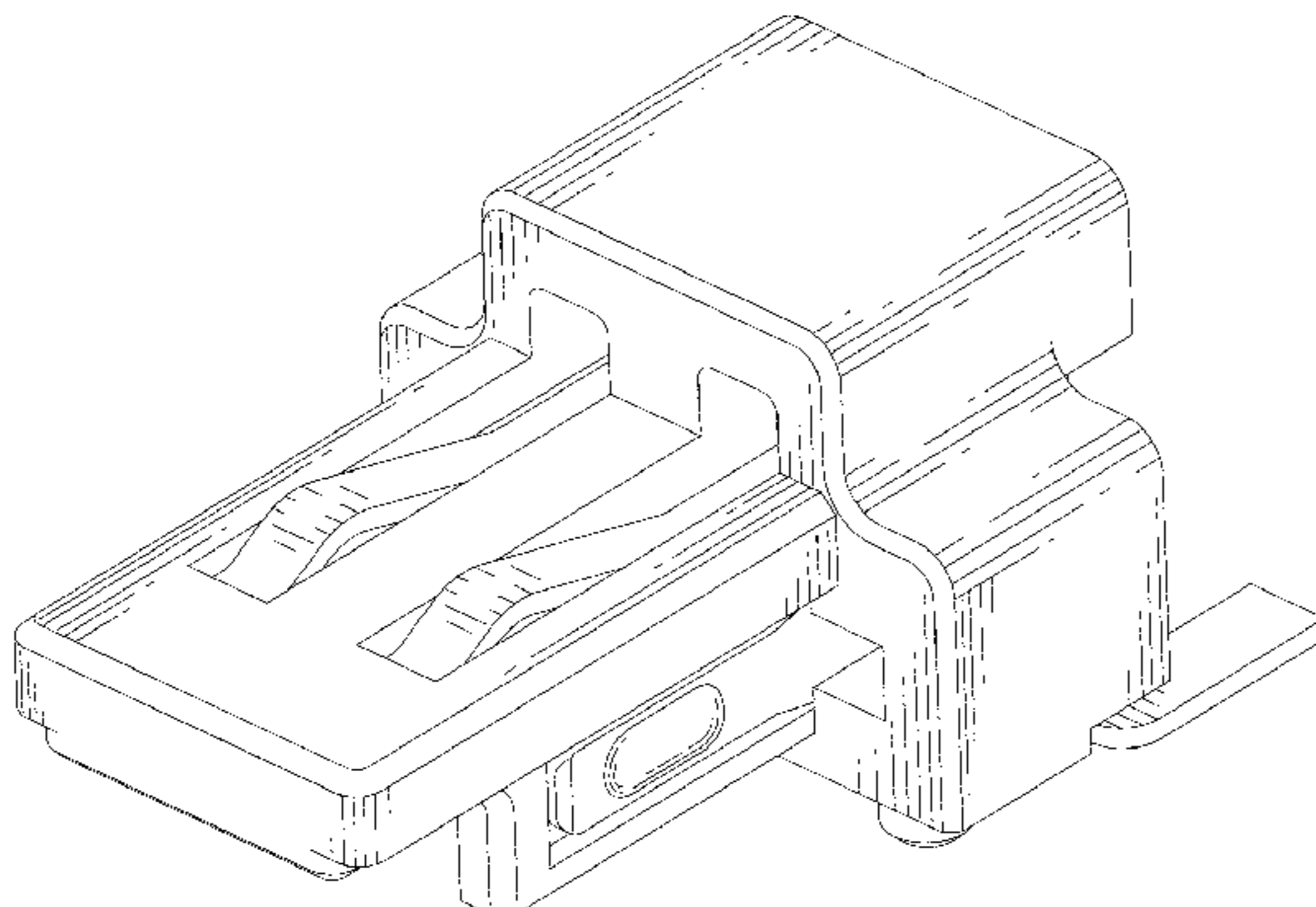
(57) **CLAIM**

The ornamental design for a connector, as shown and described.

DESCRIPTION

FIG. 1 is a perspective view of a connector showing our new design;
FIG. 2 is a front elevational view thereof;
FIG. 3 is a rear elevational view thereof;
FIG. 4 is a left side elevational view thereof;
FIG. 5 is a right side elevational view thereof;
FIG. 6 is a top plan view thereof;
FIG. 7 is a bottom plan view thereof; and,
FIG. 8 is another perspective view of the connector showing my new design.

1 Claim, 8 Drawing Sheets



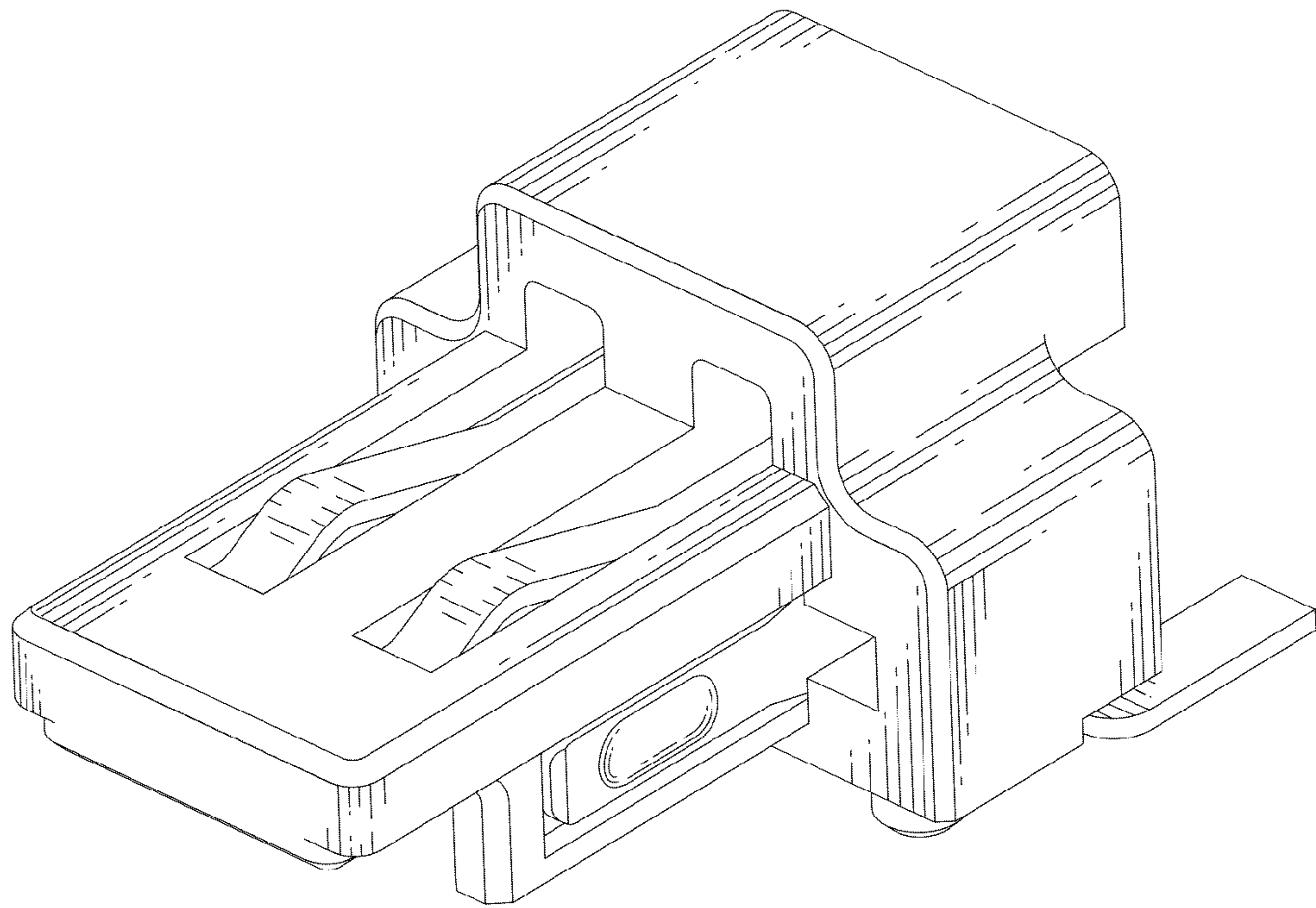


FIG. 1

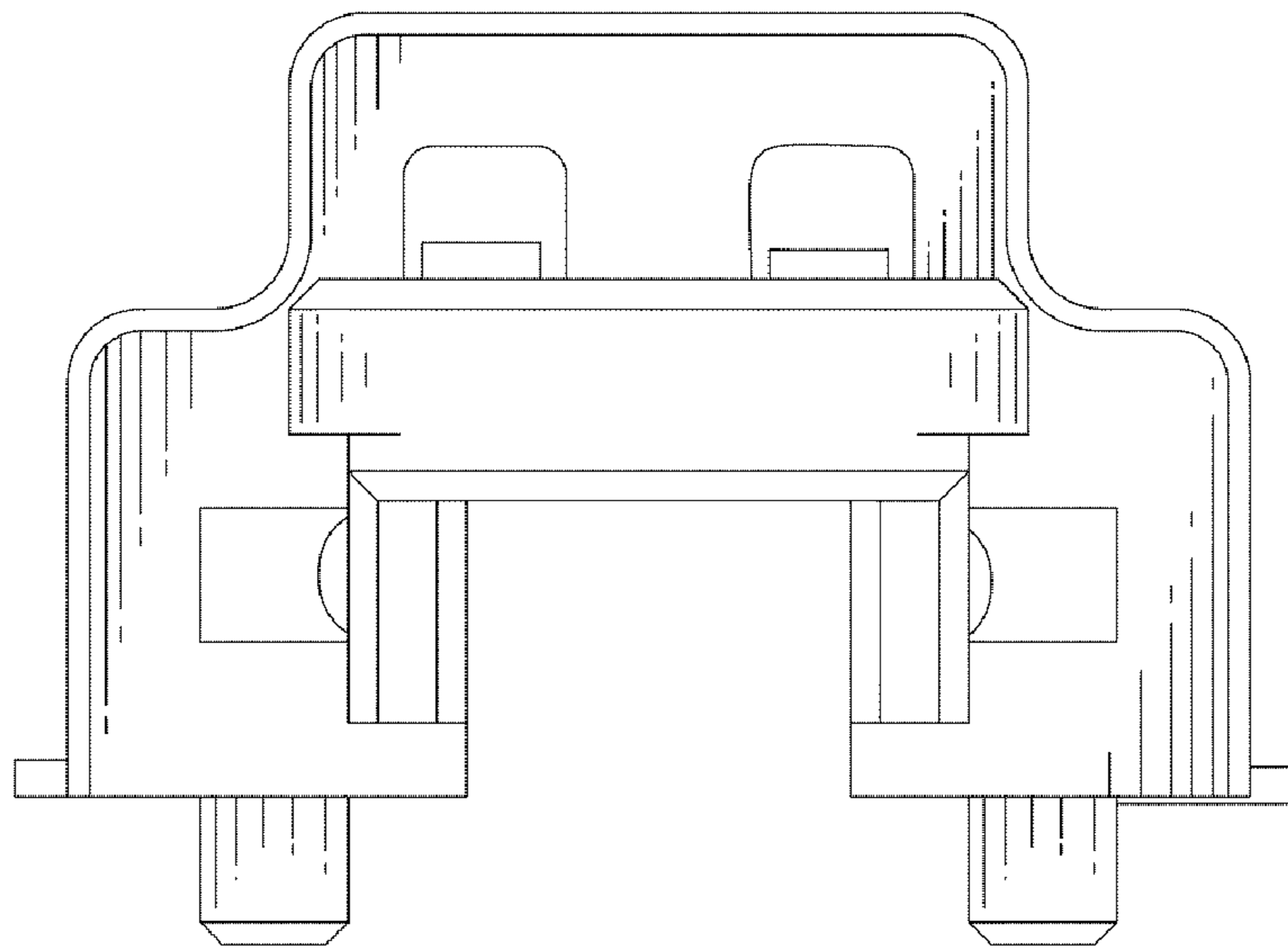


FIG. 2

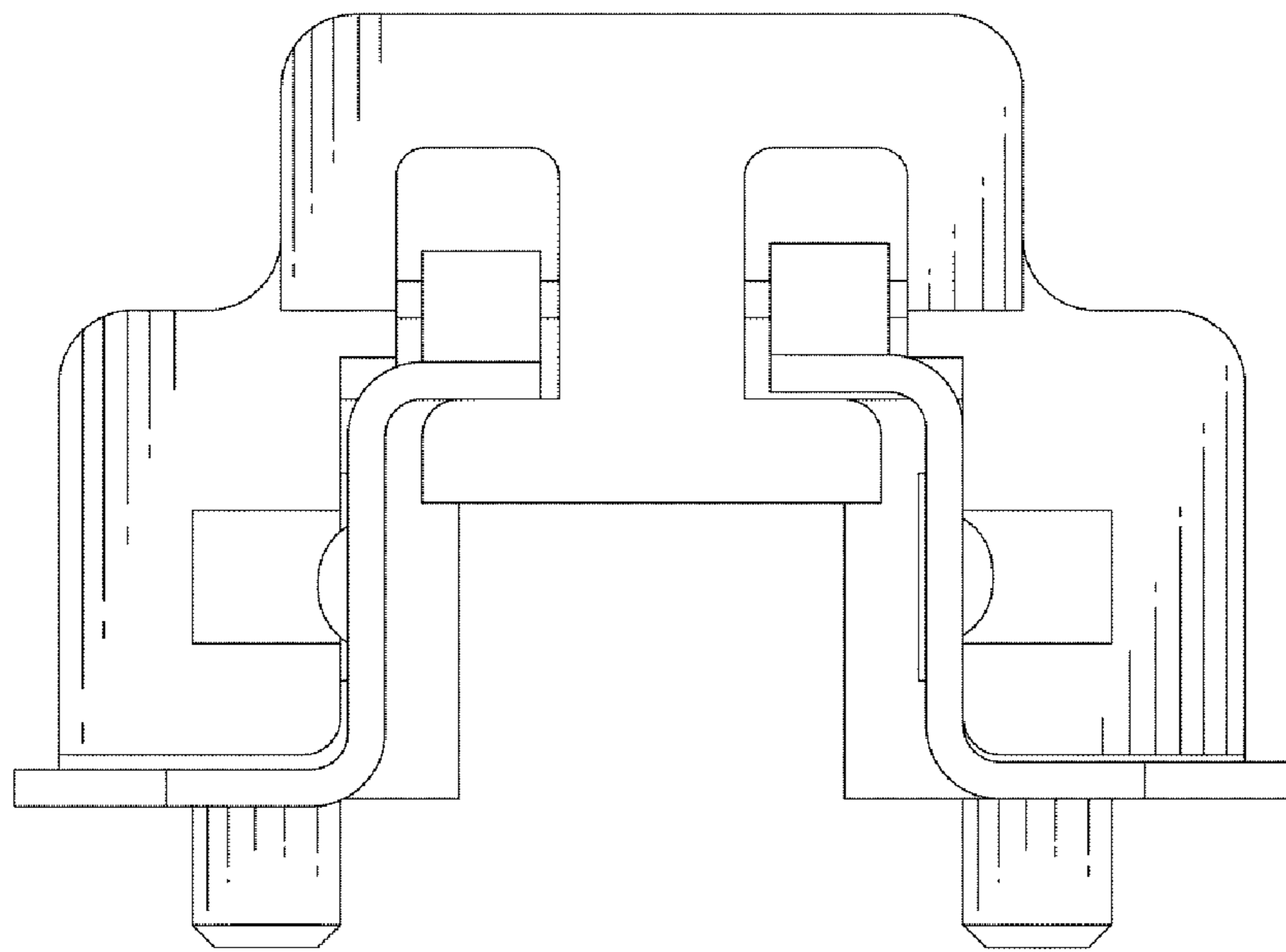


FIG. 3

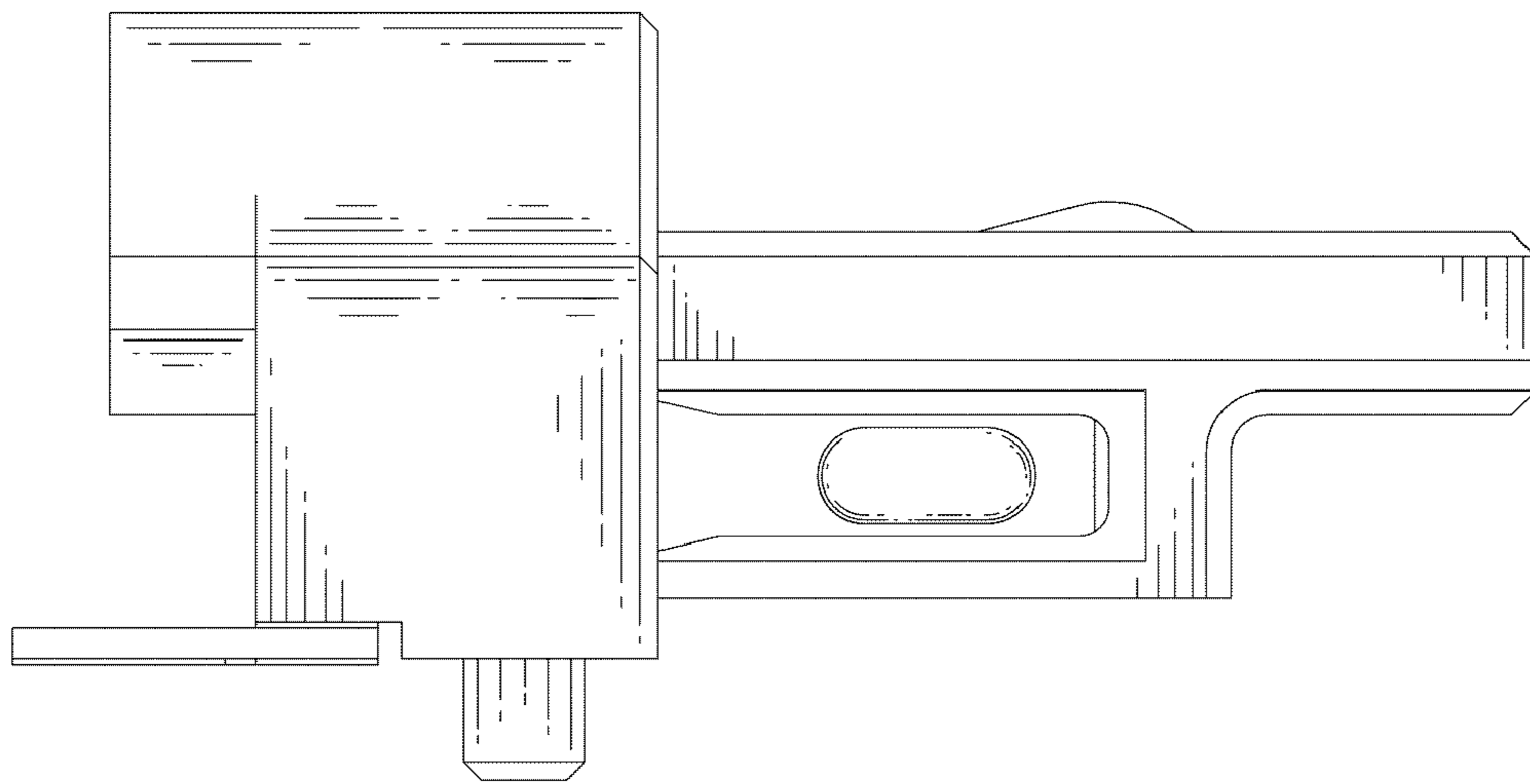


FIG. 4

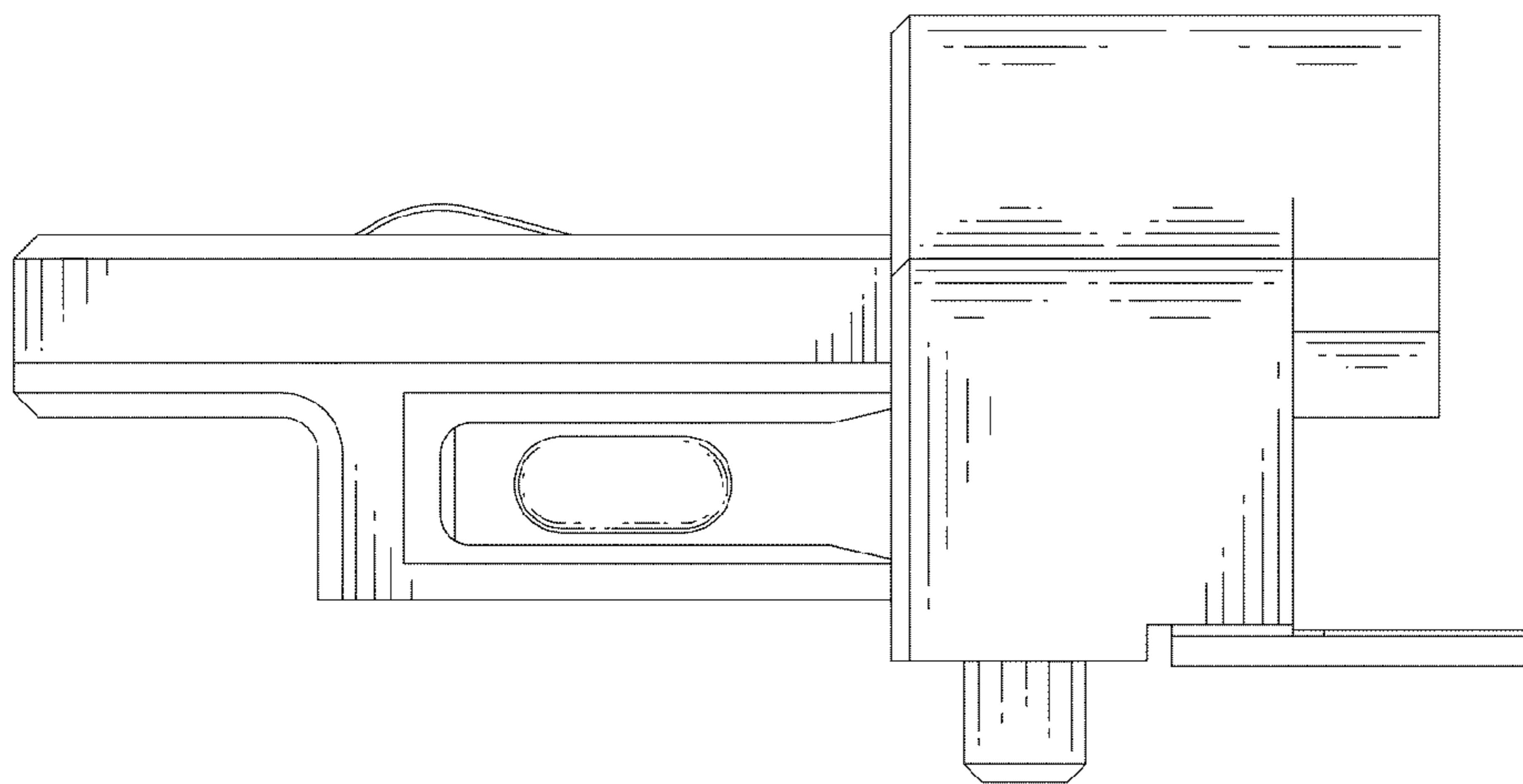


FIG. 5

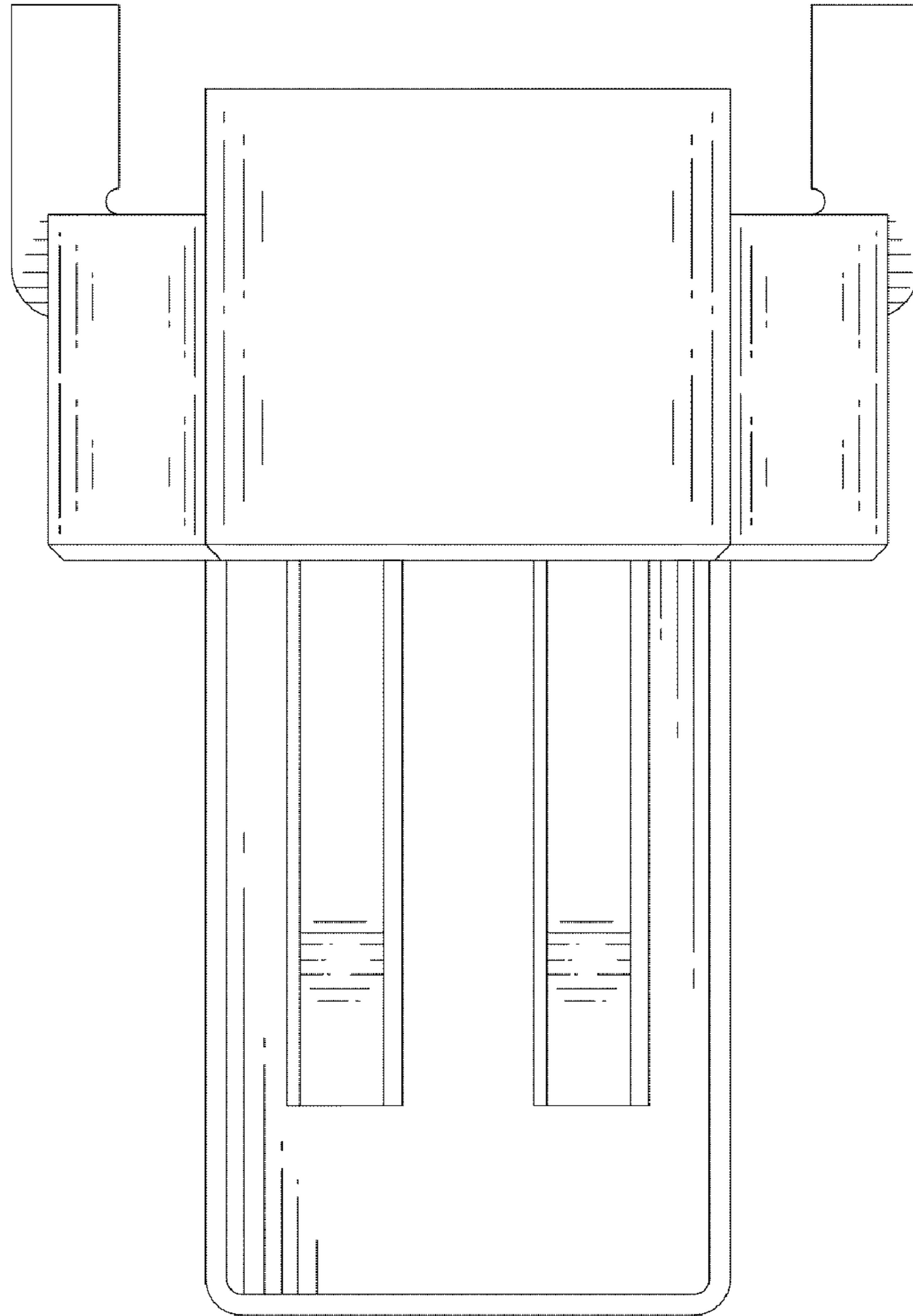


FIG. 6

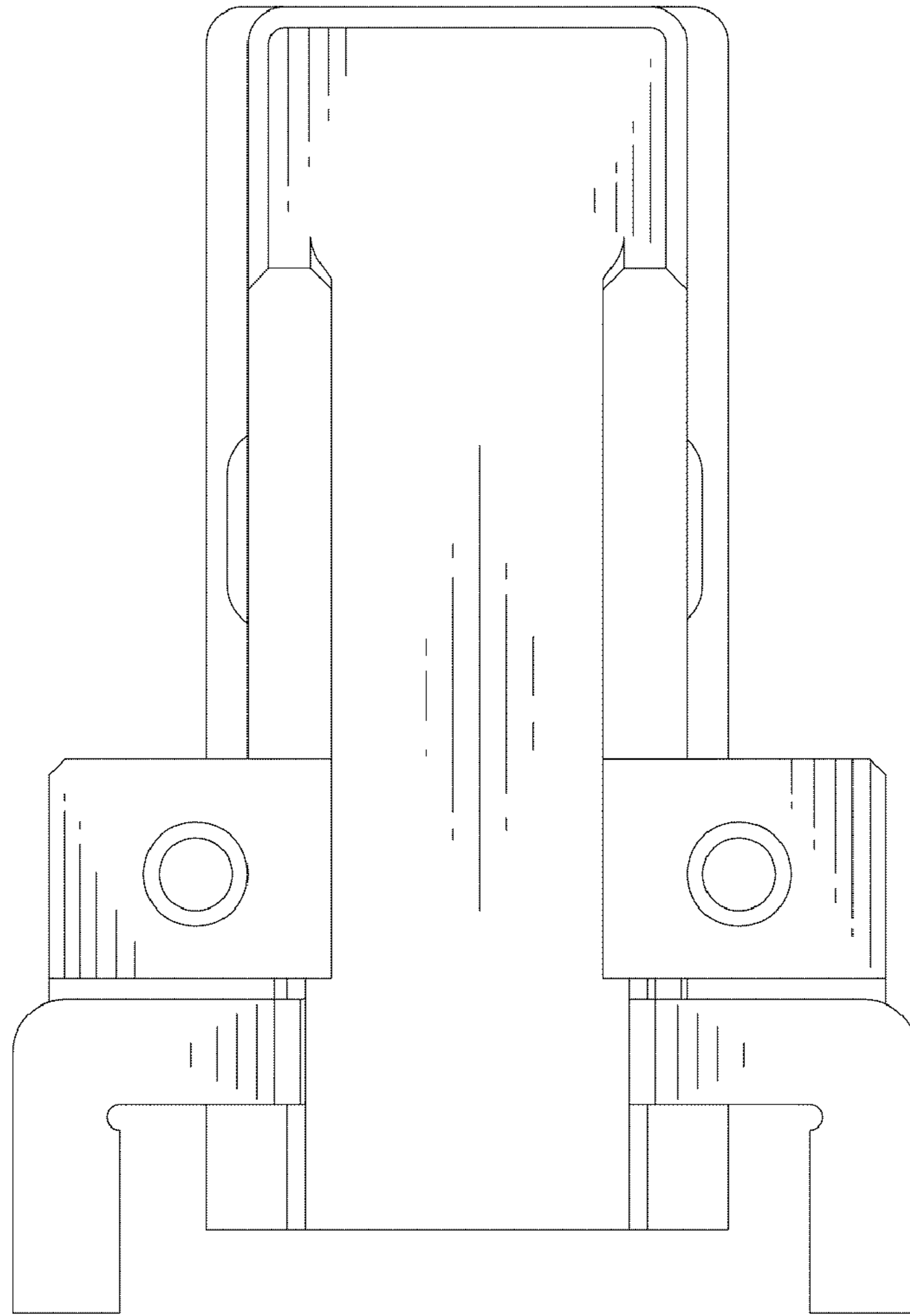


FIG. 7

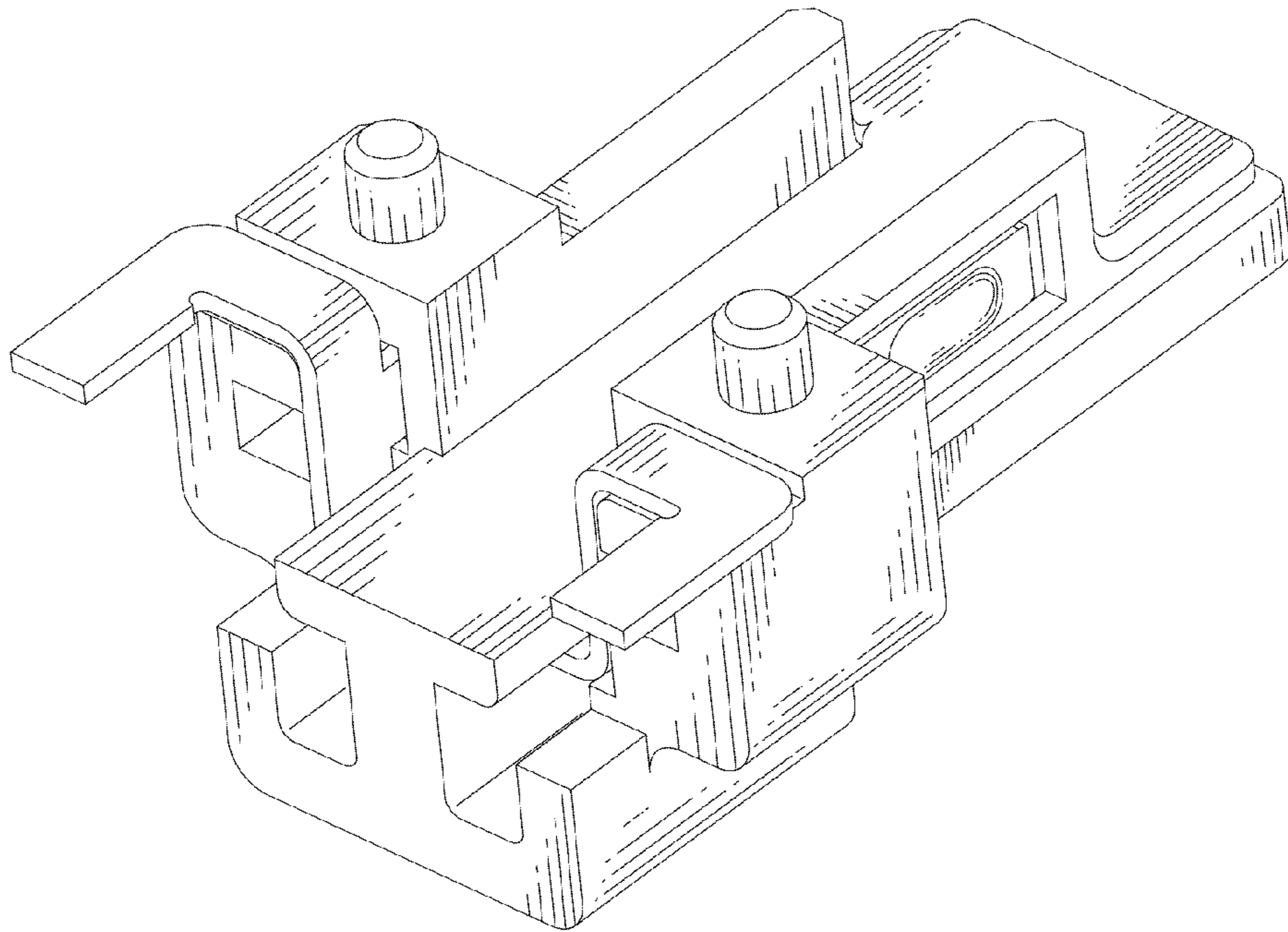


FIG. 8