



US00D649936S

(12) **United States Design Patent**  
**Rebsdorf et al.**

(10) **Patent No.:** **US D649,936 S**

(45) **Date of Patent:** **\*\* Dec. 6, 2011**

- (54) **NACELLE COVER AND SPINNER**
- (75) Inventors: **Anders Varming Rebsdorf**,  
Skanderborg (DK); **Mogens Christensen**, Tjele (DK)
- (73) Assignee: **Envision Energy (Denmark) APS**,  
Silkeborg (DK)
- (\*\*) Term: **14 Years**
- (21) Appl. No.: **29/390,119**
- (22) Filed: **Apr. 20, 2011**
- (51) **LOC (9) Cl.** ..... **13-01**
- (52) **U.S. Cl.** ..... **D13/115**
- (58) **Field of Classification Search** ..... D13/115,  
D13/118, 122, 199; D12/319, 344, 345;  
D15/1, 199; D21/458; 290/44, 52, 54, 55;  
415/2.1, 4.2, 4.5, 7, 907, 916; 416/7, 16,  
416/24, 31, 37, 38, 132 B, 132 R, 141, 142,  
416/176, 177, 196 A, 243  
See application file for complete search history.

- 5,653,406 A \* 8/1997 Amano et al. .... 244/130
- D480,360 S \* 10/2003 Bayly ..... D13/115
- D517,986 S \* 3/2006 Wobben ..... D13/115
- D584,686 S \* 1/2009 Gudewer ..... D13/115
- D587,649 S \* 3/2009 Gudewer ..... D13/115
- 2004/0057828 A1 \* 3/2004 Bosche ..... 416/1
- 2005/0072067 A1 \* 4/2005 Wobben ..... 52/155

\* cited by examiner

*Primary Examiner* — Derrick Holland

(74) *Attorney, Agent, or Firm* — Lowe Hauptman Ham & Berner, LLP

(57) **CLAIM**

The ornamental design for a nacelle cover and spinner, as shown.

**DESCRIPTION**

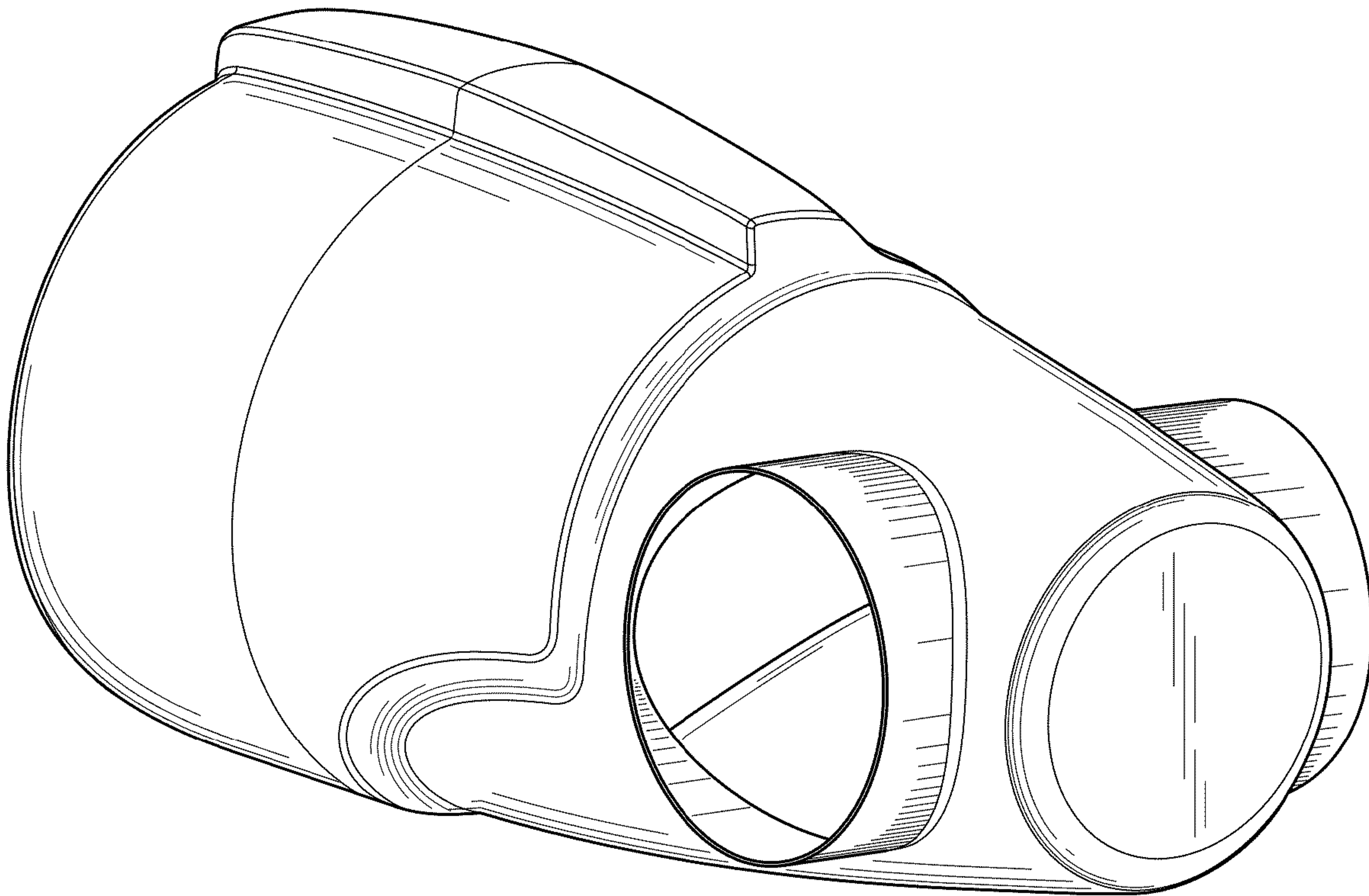
FIG. 1 is a perspective view of the nacelle cover and spinner; FIG. 2 is a front view thereof; FIG. 3 is a rear view thereof; FIG. 4 is a left side view thereof; FIG. 5 is a right side view thereof; FIG. 6 is a top view thereof; and, FIG. 7 is a bottom view thereof.

(56) **References Cited**

U.S. PATENT DOCUMENTS

- D252,572 S \* 8/1979 Hanson ..... D15/1
- D273,579 S \* 4/1984 Martin et al. .... D12/345

**1 Claim, 4 Drawing Sheets**



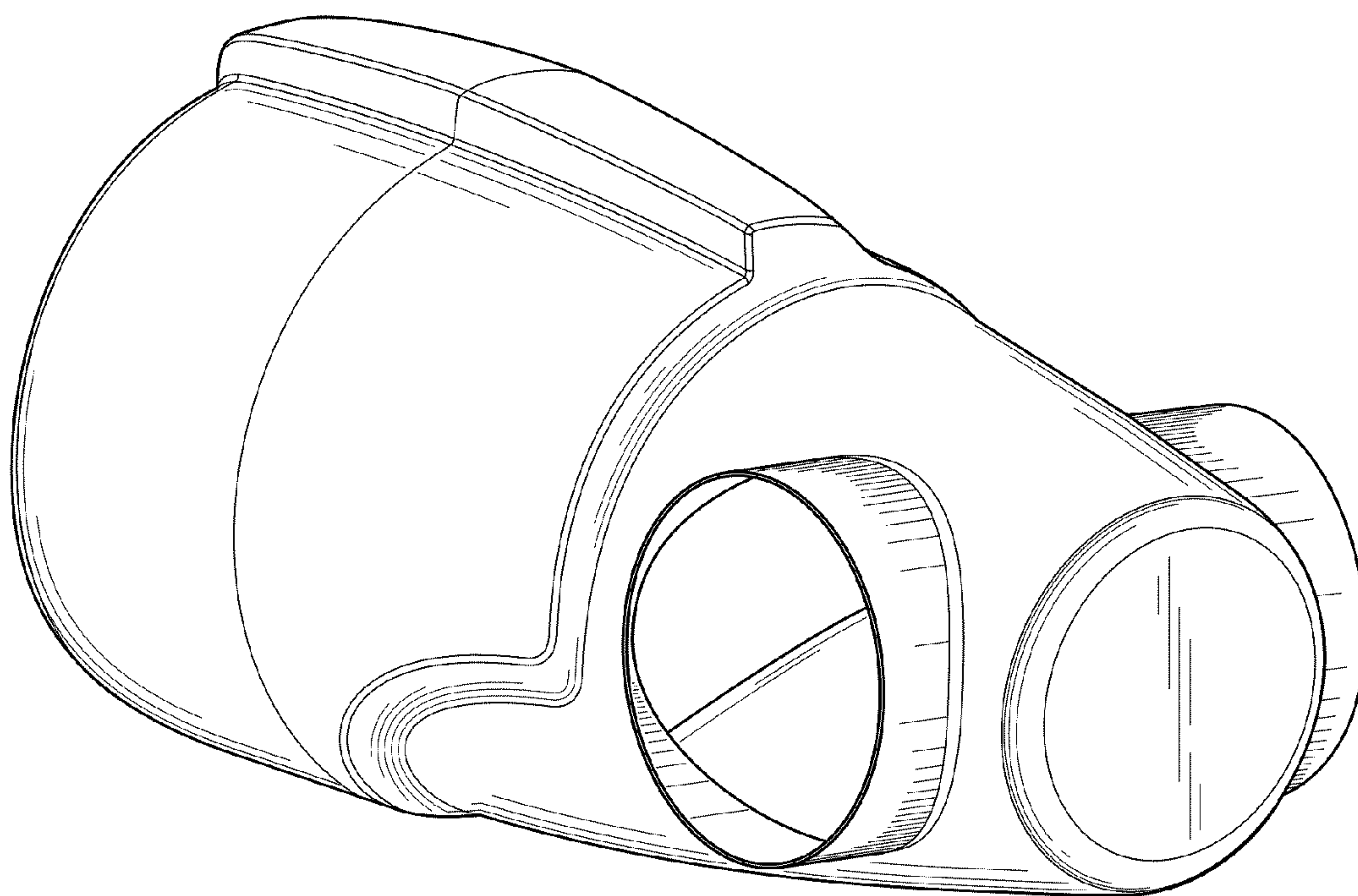


FIG. 1

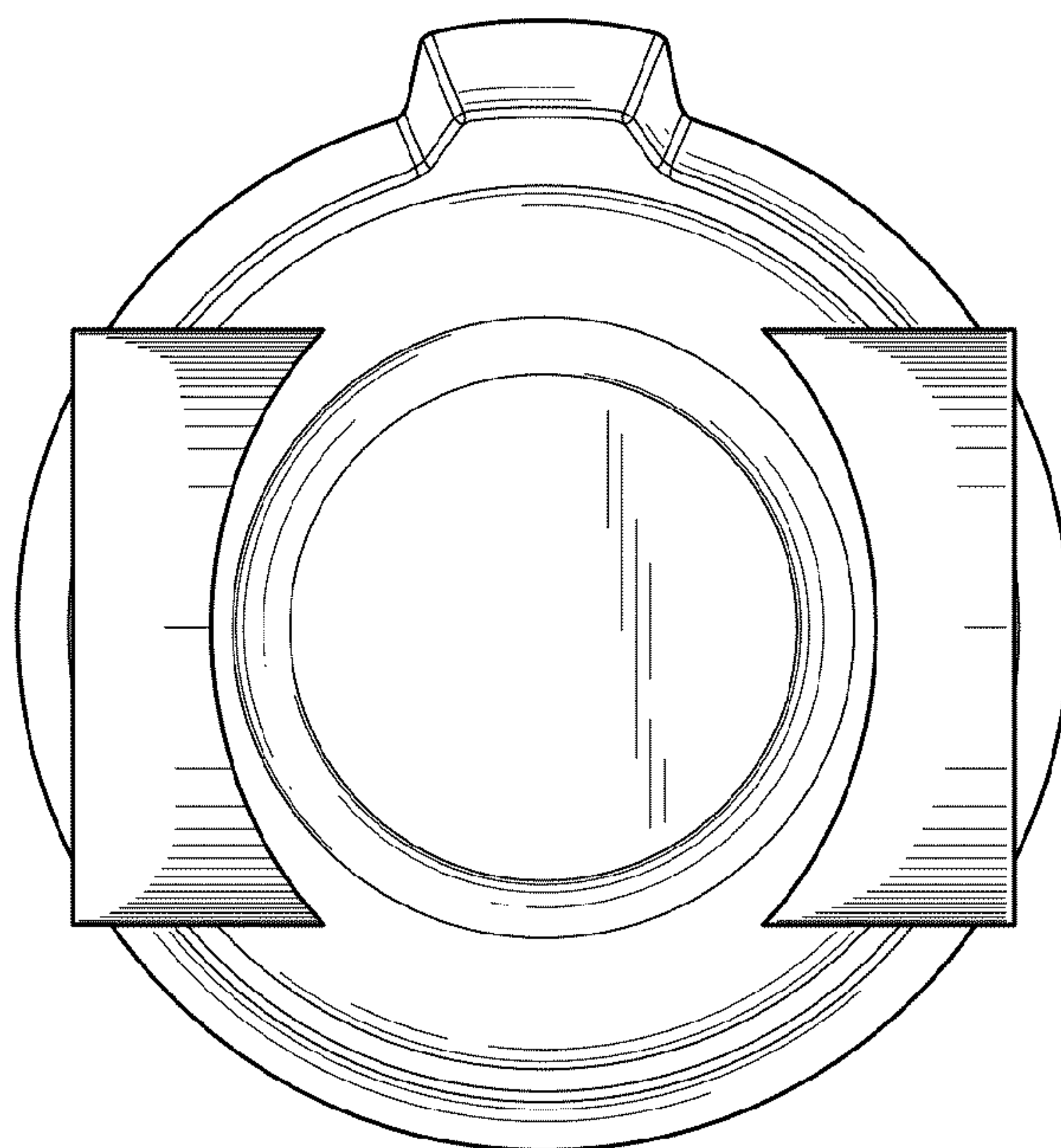


FIG. 2

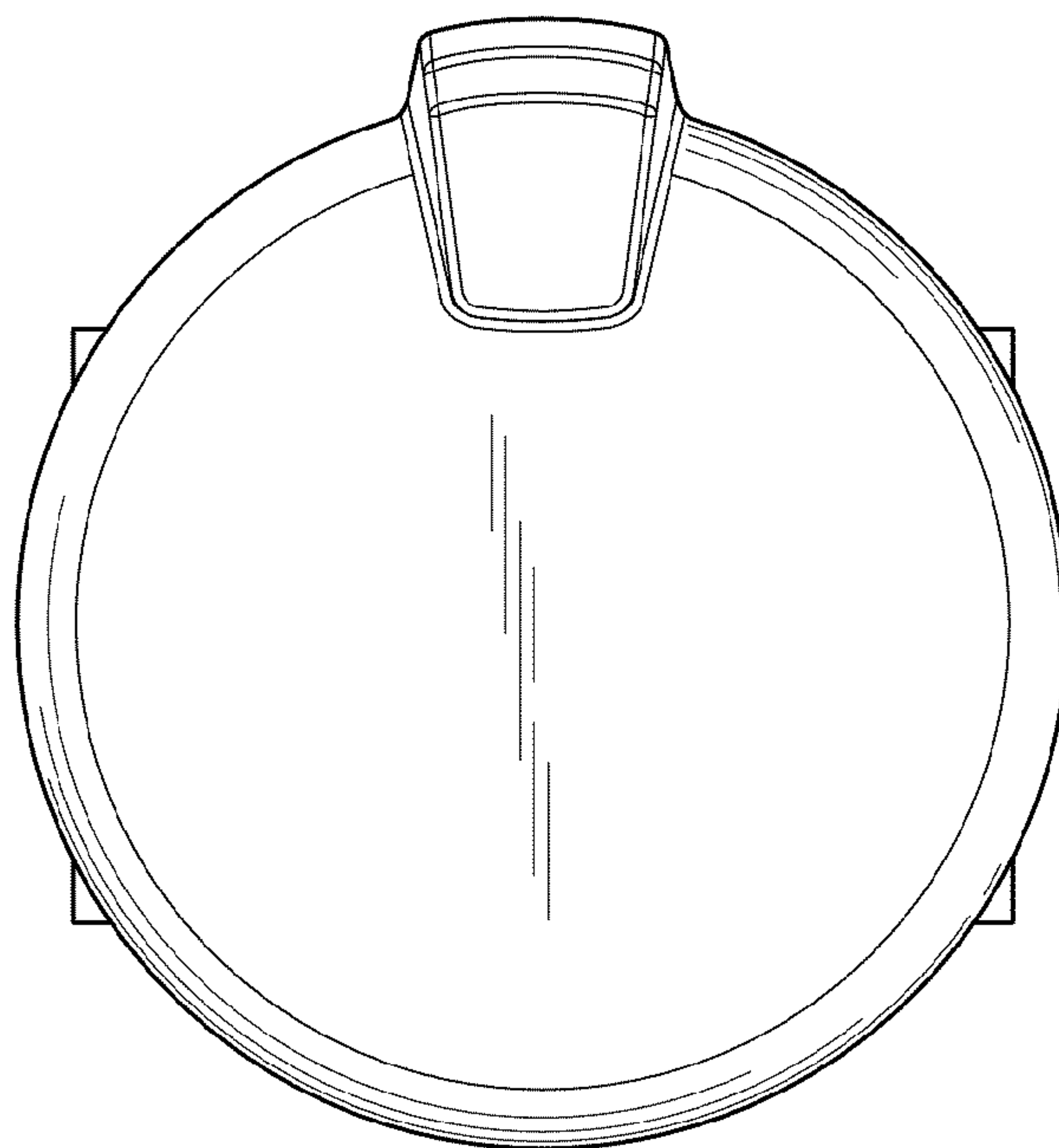


FIG. 3

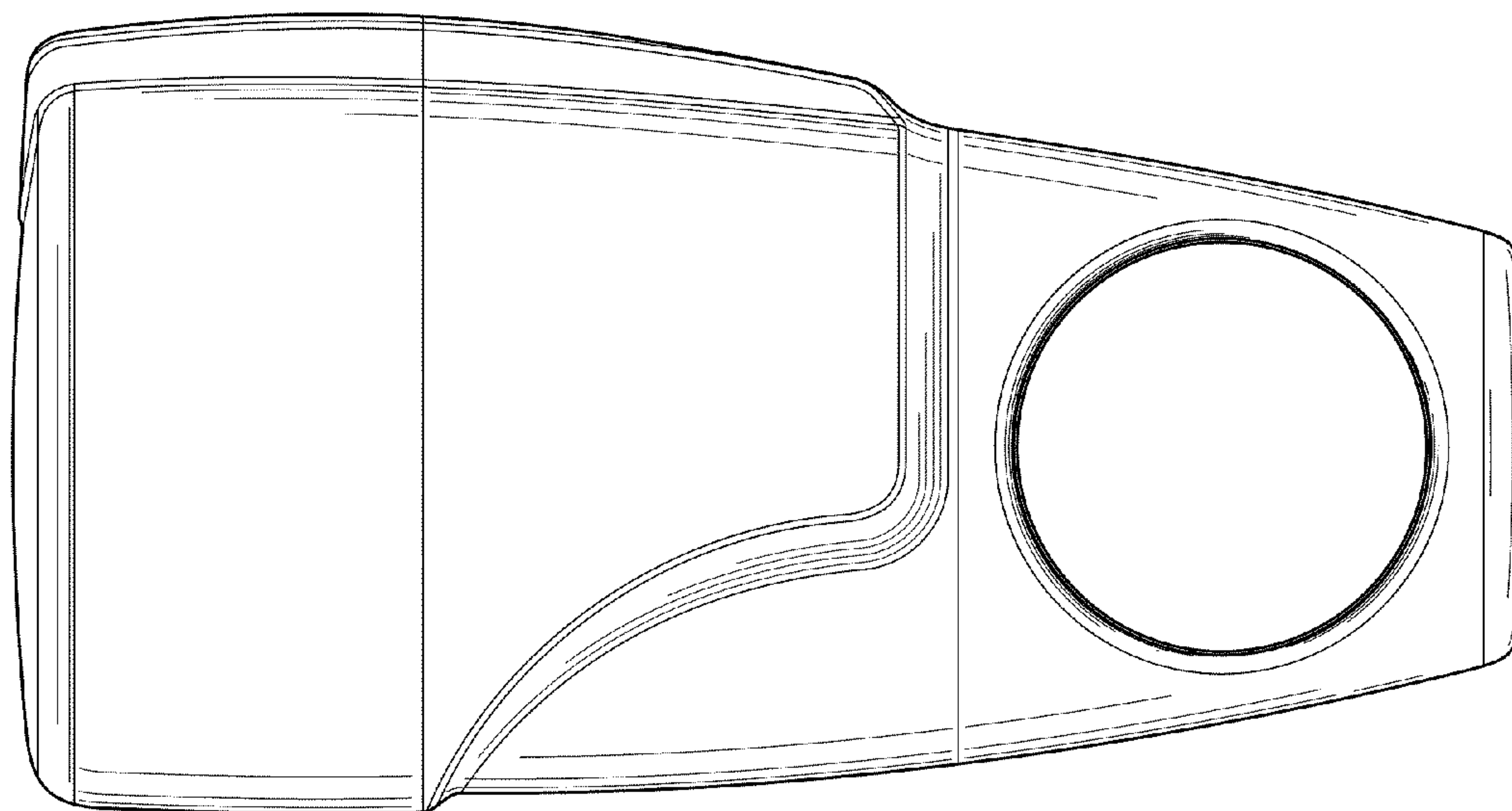


FIG. 4

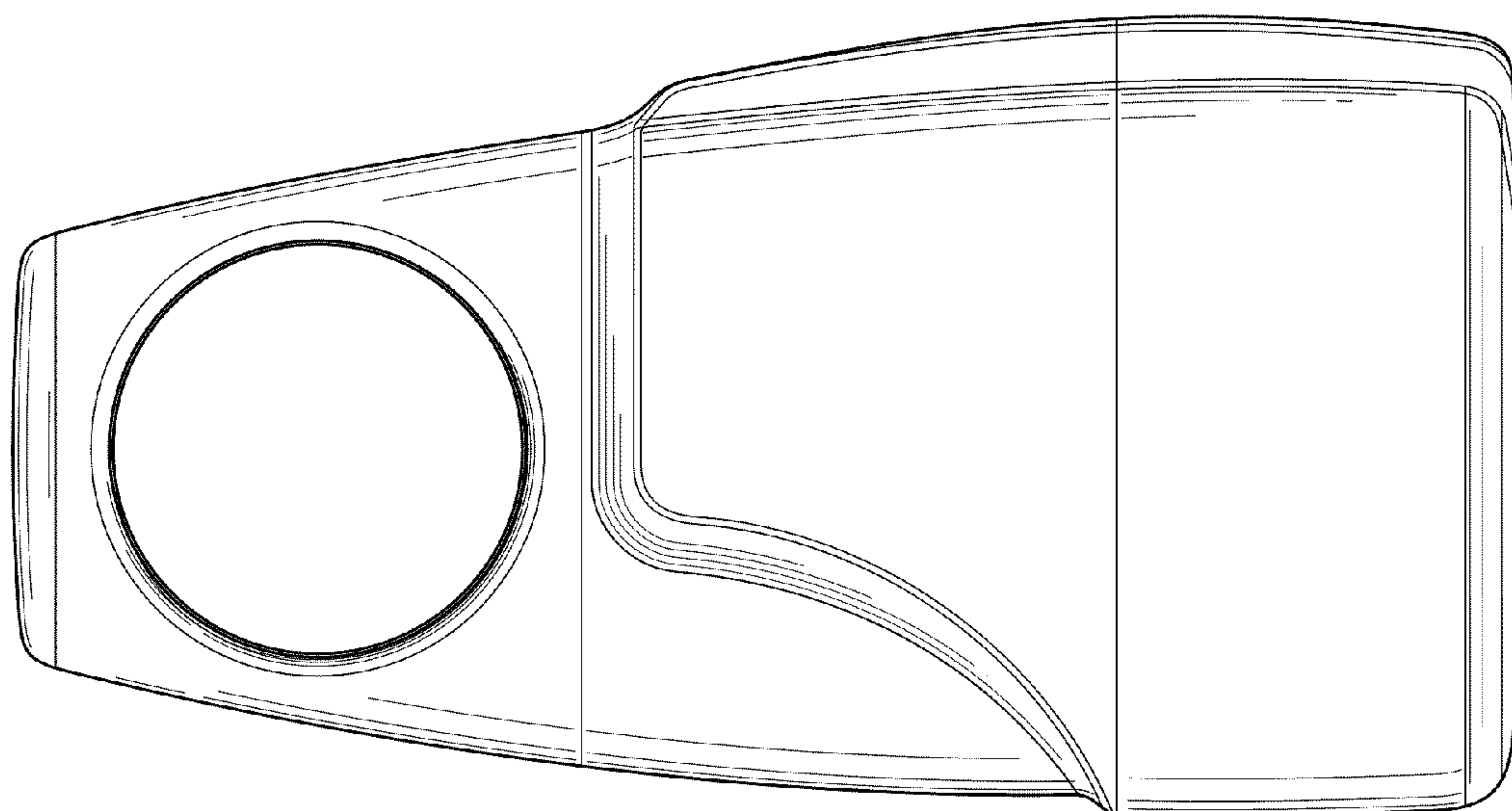


FIG. 5



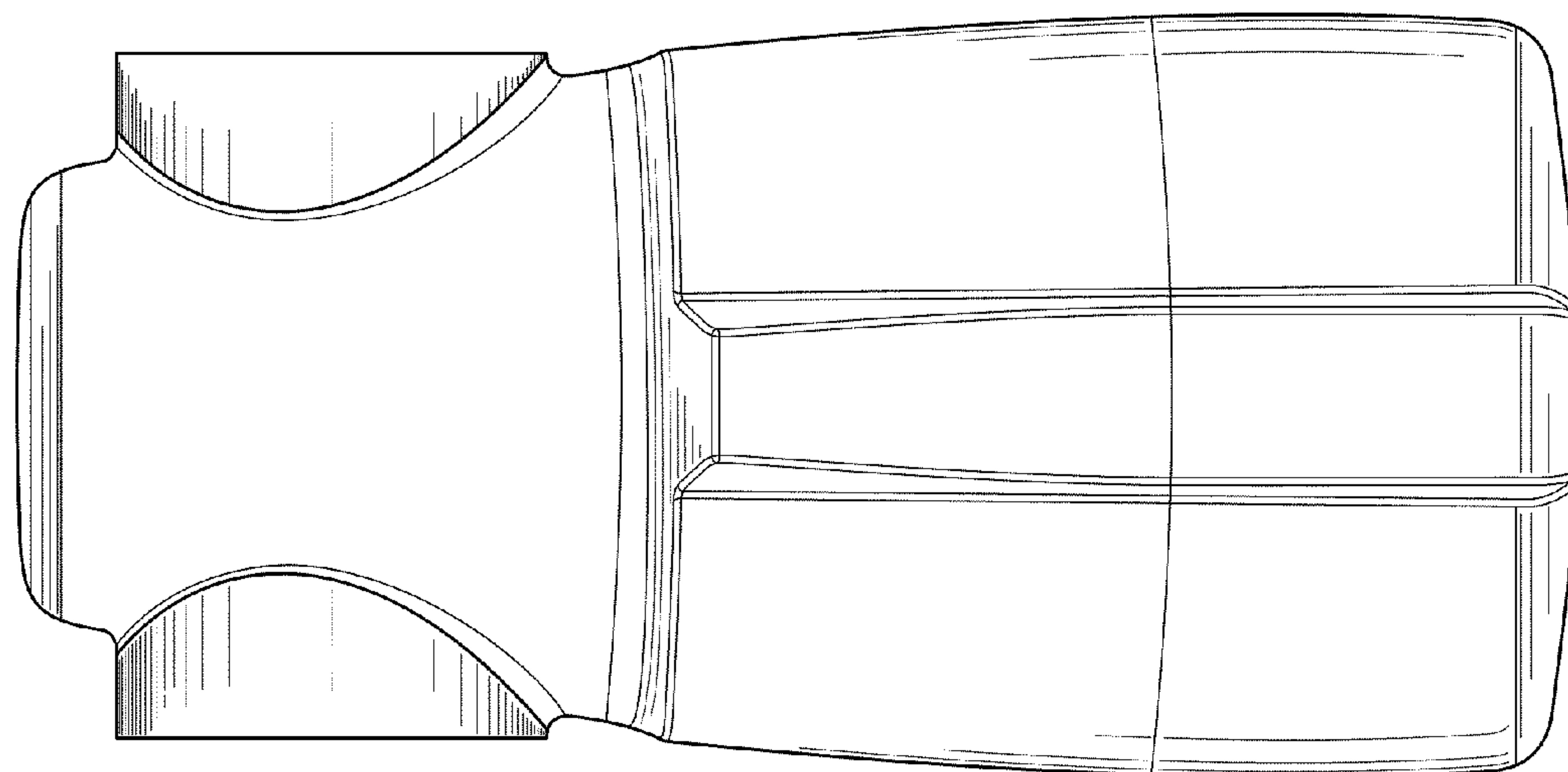


FIG. 6

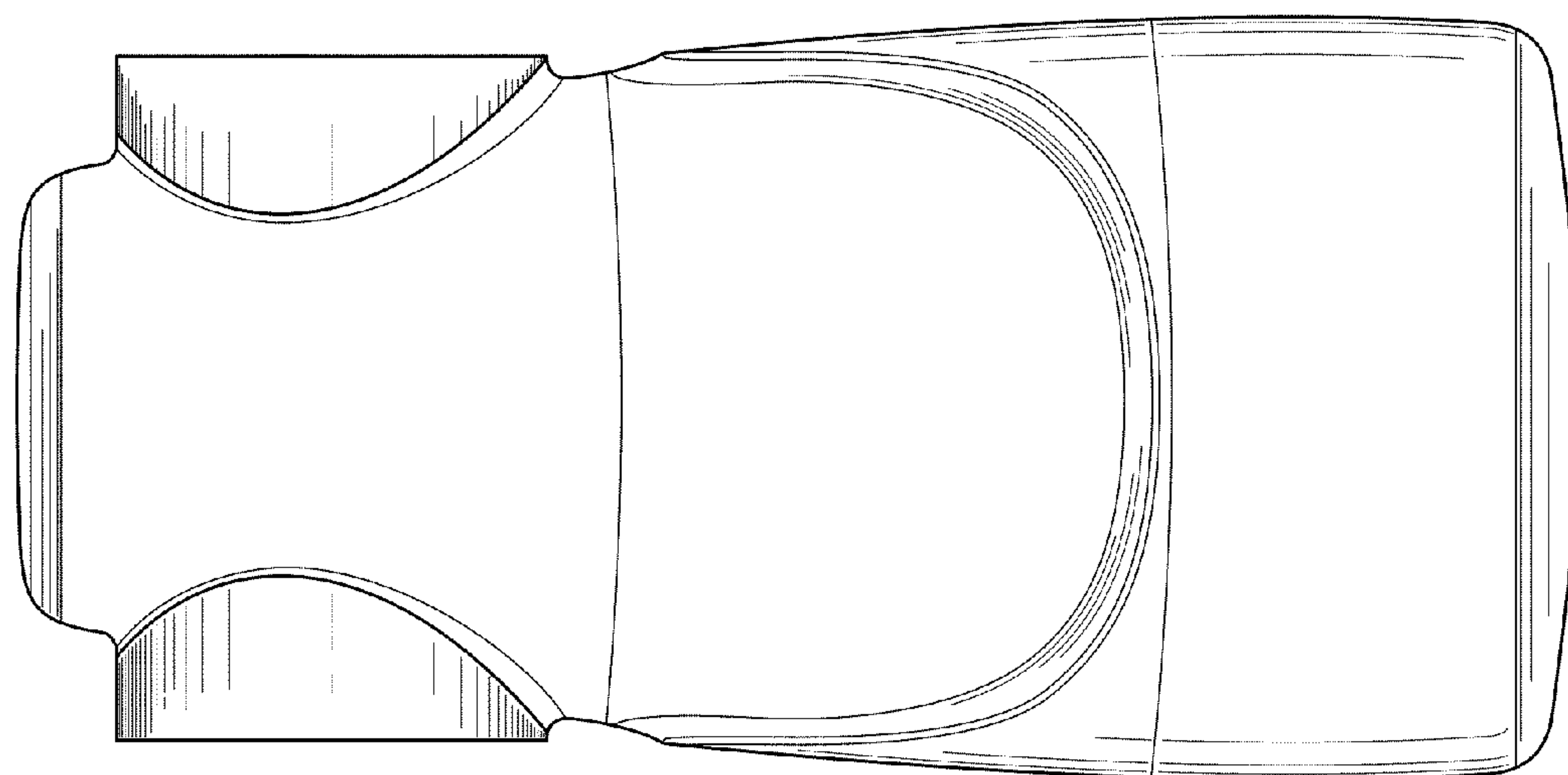


FIG. 7