



US00D649932S

(12) **United States Design Patent**  
**Symons**

(10) **Patent No.:** **US D649,932 S**  
(45) **Date of Patent:** **\*\* Dec. 6, 2011**

(54) **ELECTRICAL DEVICE CHARGER**

(76) Inventor: **Dominic Symons**, Pasadena, CA (US)

(\*\*) Term: **14 Years**

(21) Appl. No.: **29/390,290**

(22) Filed: **Apr. 22, 2011**

(51) **LOC (9) Cl.** ..... **13-02**

(52) **U.S. Cl.** ..... **D13/108; D14/480.3**

(58) **Field of Classification Search** ..... D13/107-110,  
D13/118-119, 138.1-138.2, 184, 199; D14/251,  
D14/253, 432, 434, 480.1, 480.3; 320/107-115  
See application file for complete search history.

(56) **References Cited**

**U.S. PATENT DOCUMENTS**

6,534,953	B2 *	3/2003	Shirakawa	.....	320/114
D486,492	S *	2/2004	Sheu et al.	.....	D14/434
D520,013	S *	5/2006	Yang	.....	D14/434
D553,106	S *	10/2007	Griffin	.....	D14/434
7,291,041	B1 *	11/2007	Yang	.....	439/500
D579,933	S *	11/2008	Deguchi	.....	D14/480.1
D601,089	S *	9/2009	Lin	.....	D13/108
D621,843	S *	8/2010	Salzedo	.....	D14/480.7
D623,128	S *	9/2010	Dinh et al.	.....	D13/107
D623,132	S *	9/2010	Yano	.....	D13/108
D628,562	S *	12/2010	Akana et al.	.....	D14/217
7,923,964	B2 *	4/2011	Lin et al.	.....	320/115

D642,519 S \* 8/2011 Woo et al. .... D13/108

\* cited by examiner

*Primary Examiner* — Rosemary K Tarcza

(74) *Attorney, Agent, or Firm* — Marc E. Hankin; Kevin Schraven; Hankin Patent Law, APC

(57) **CLAIM**

The ornamental design for an electrical device charger, as shown.

**DESCRIPTION**

FIG. 1 is an illustration of a perspective view of the electrical device charger.

FIG. 2 is an illustration of a top view of the electrical device charger.

FIG. 3 is an illustration of a bottom view of the electrical device charger.

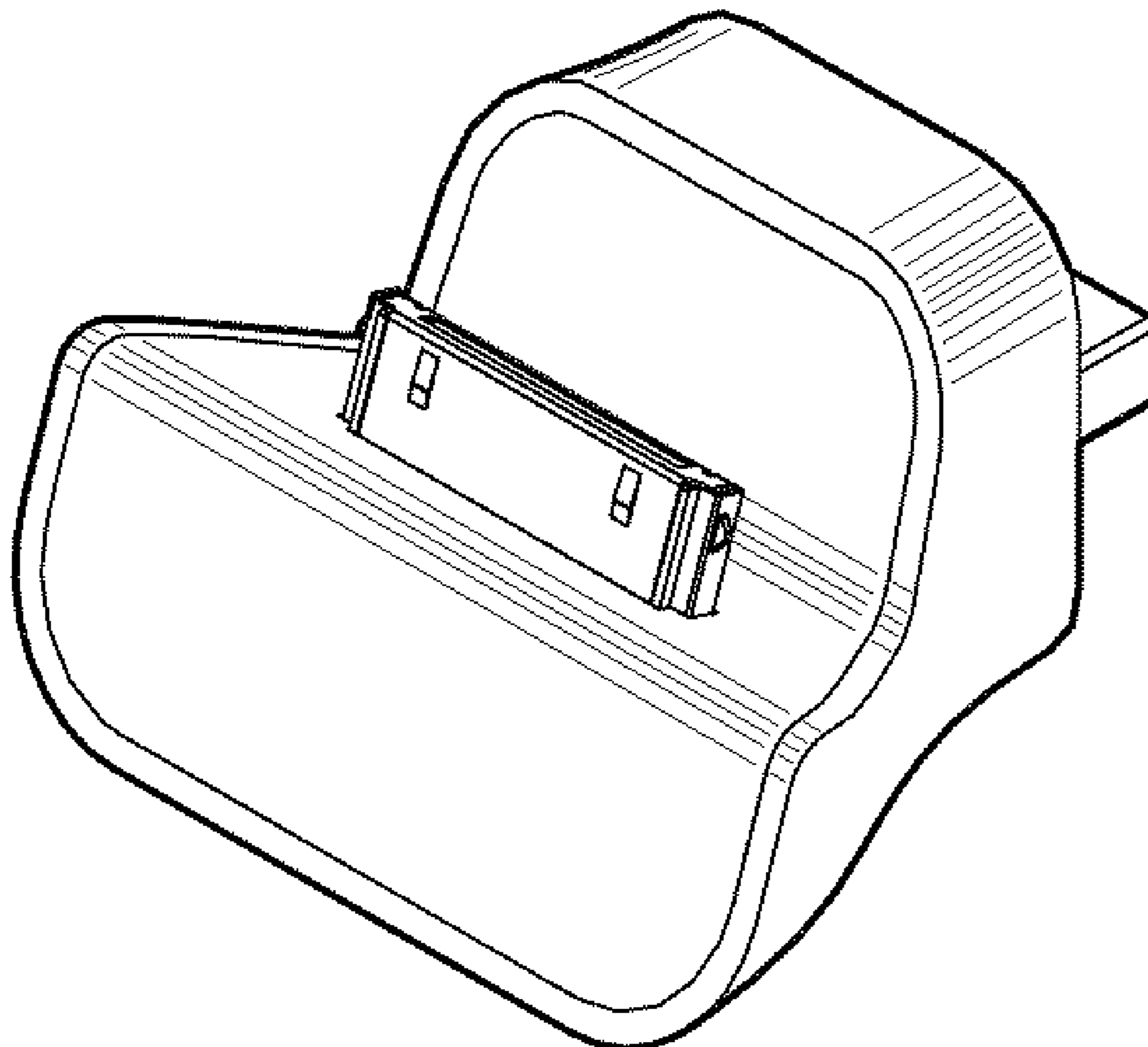
FIG. 4 is an illustration of a left side view of the electrical device charger.

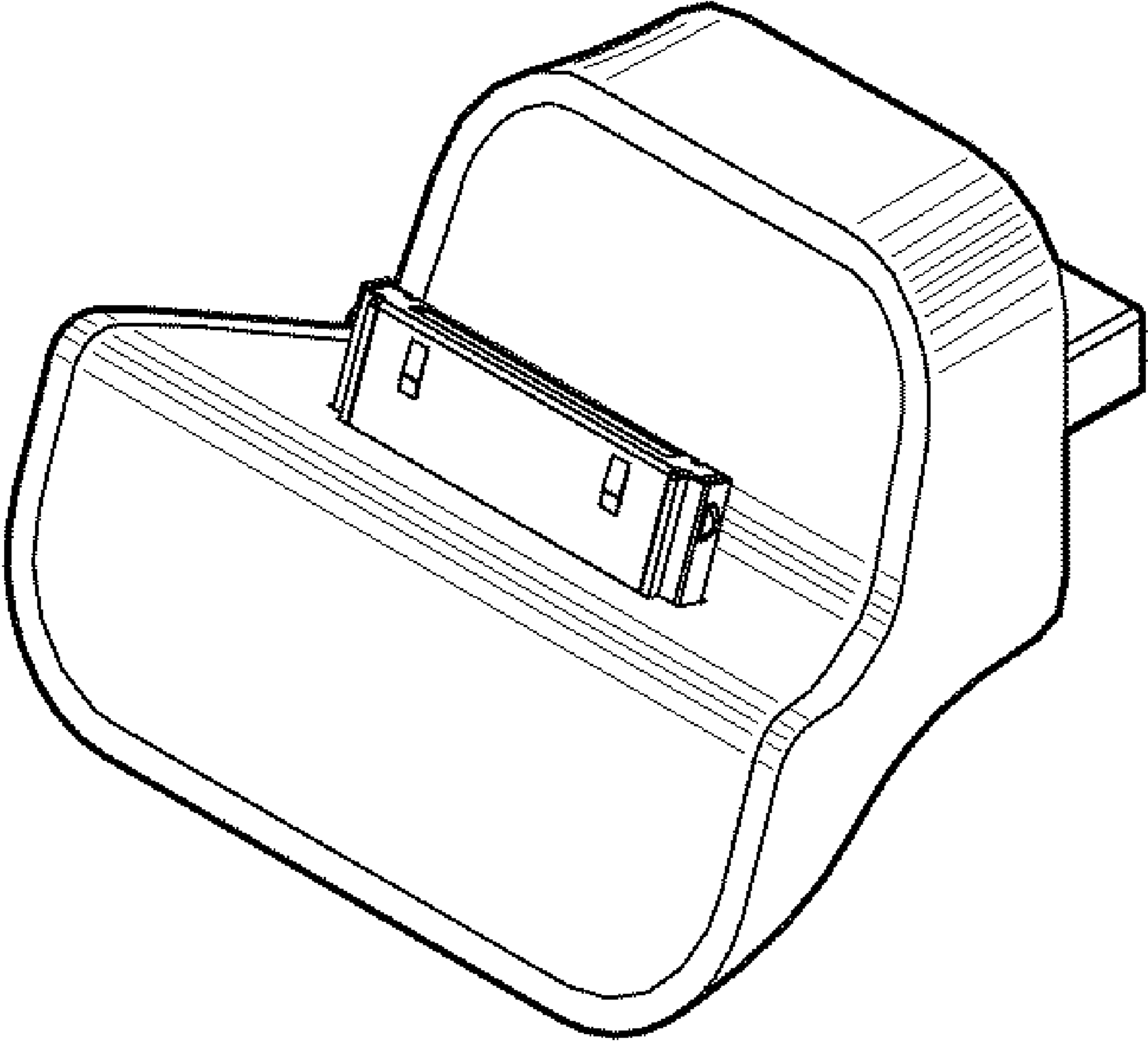
FIG. 5 is an illustration of a right side view of the electrical device charger.

FIG. 6 is an illustration of a front view of the electrical device charger; and,

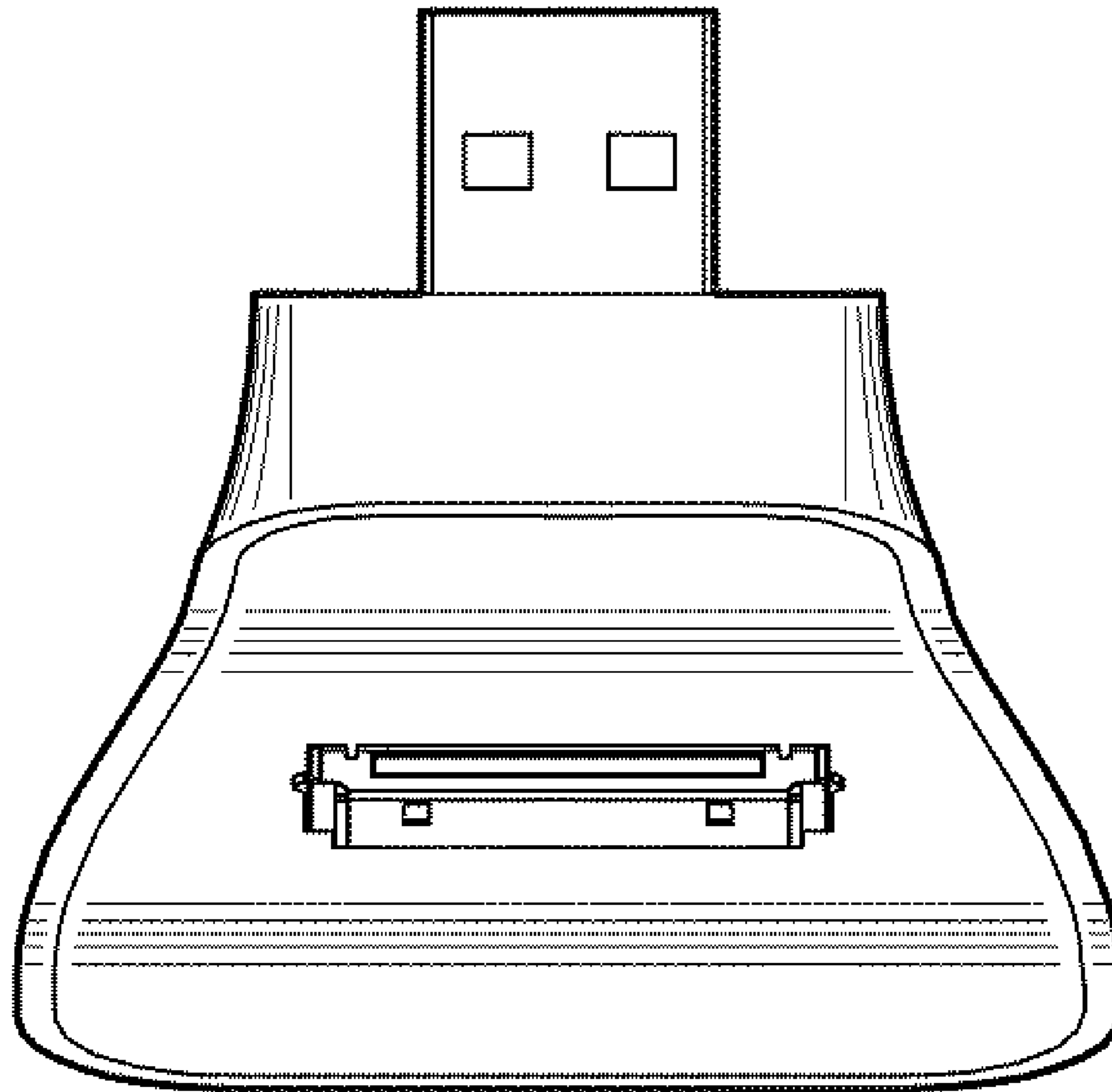
FIG. 7 is an illustration of a rear view of the electrical device charger.

**1 Claim, 7 Drawing Sheets**

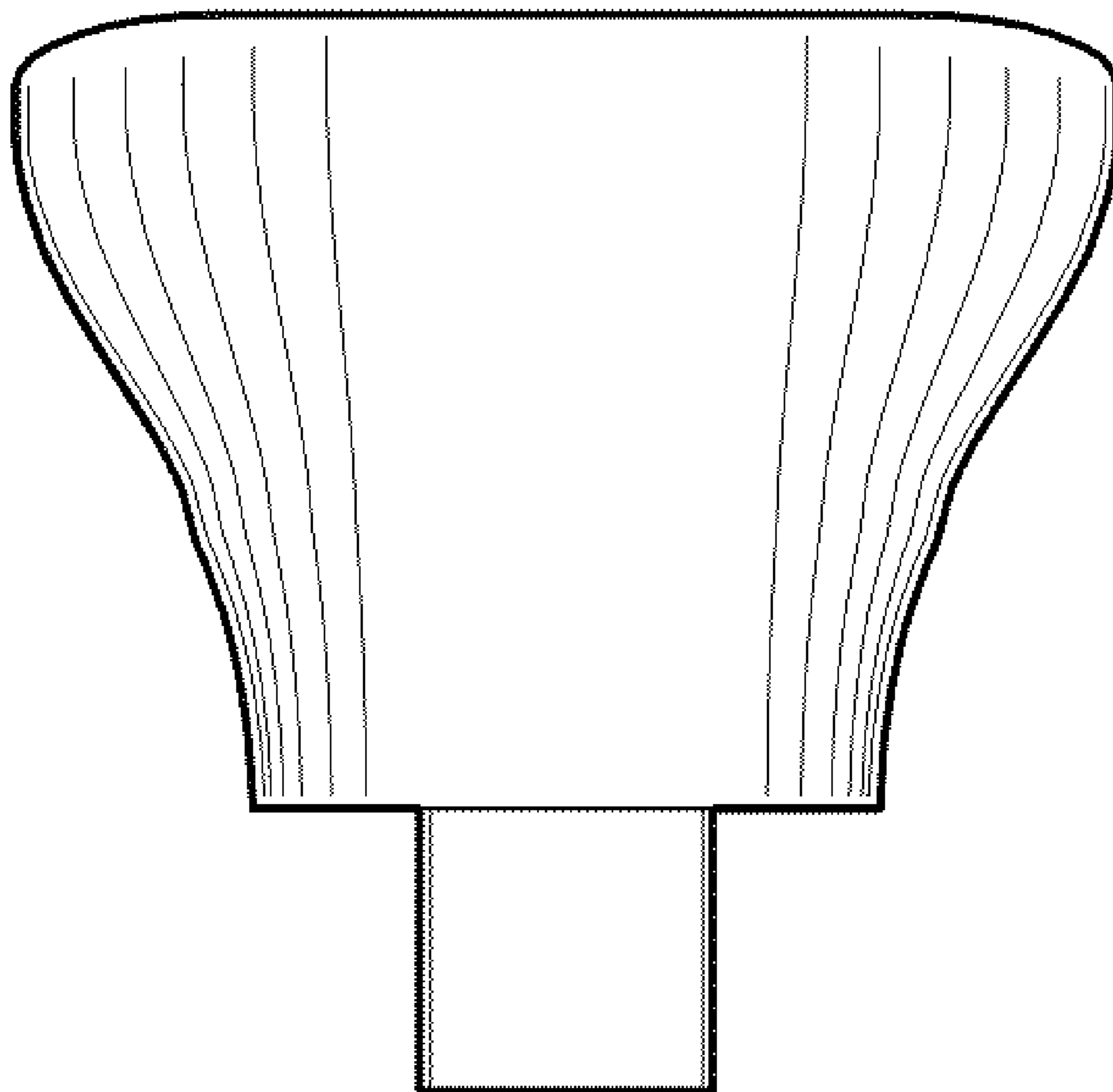




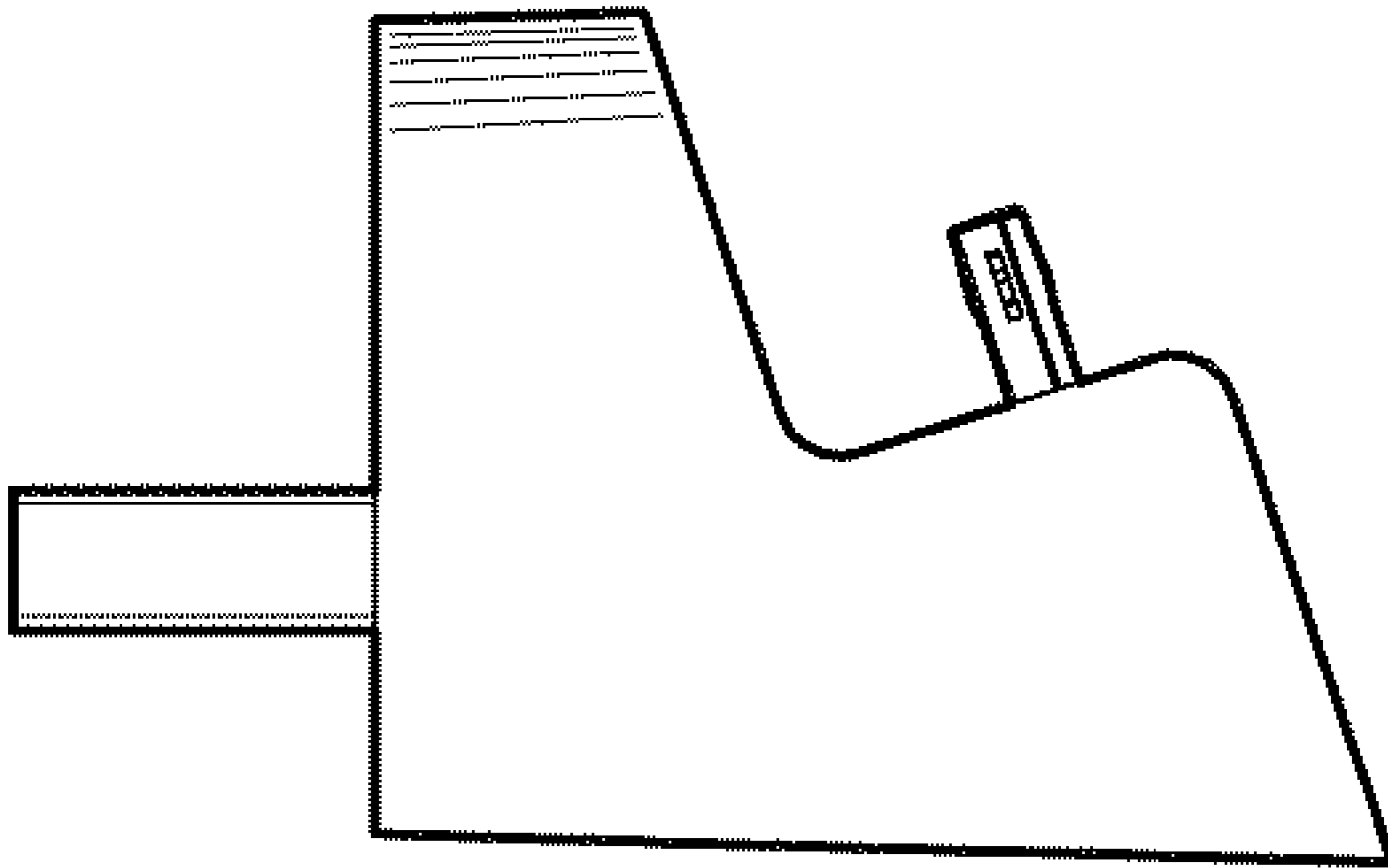
**FIG. 1**



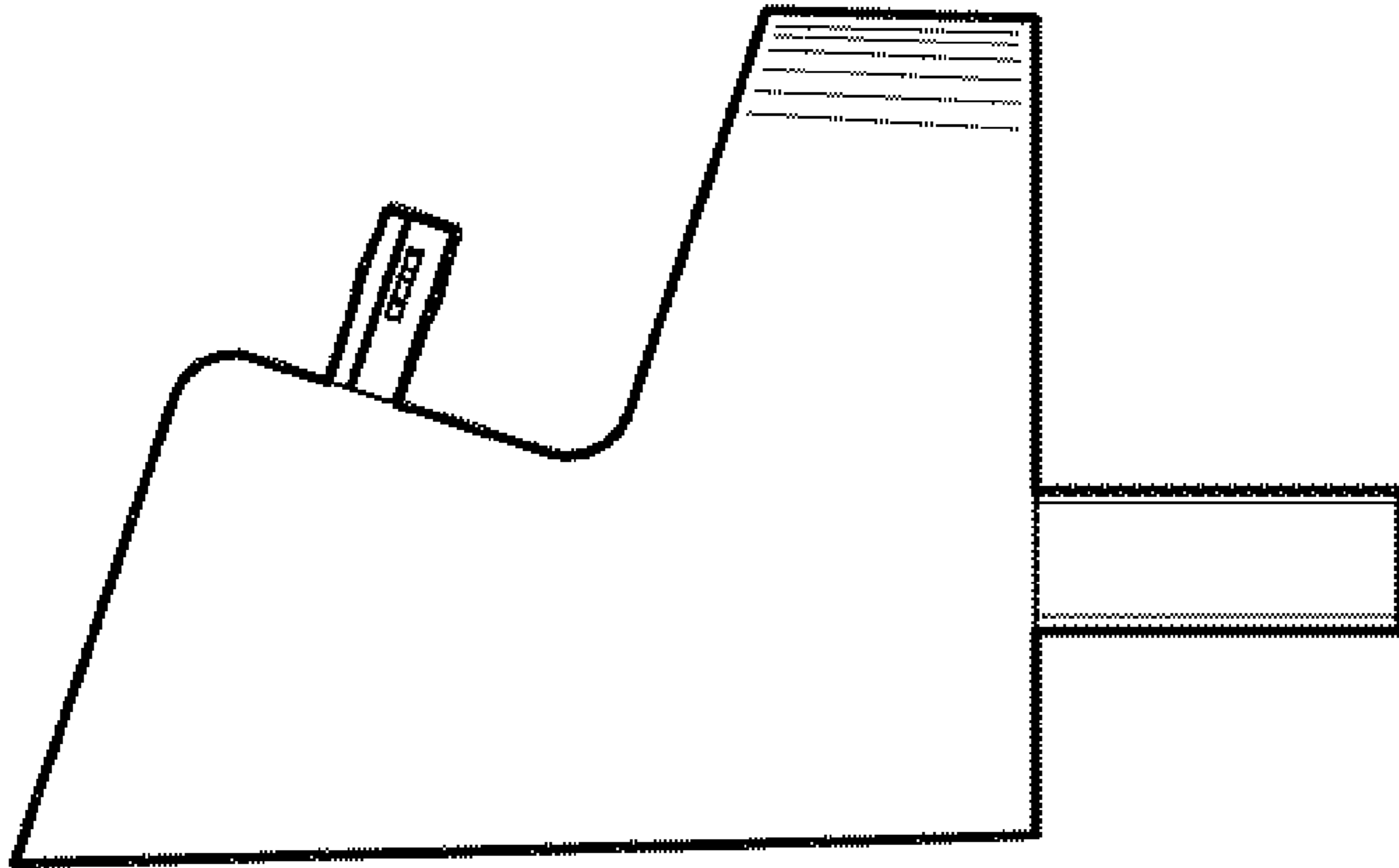
**FIG. 2**



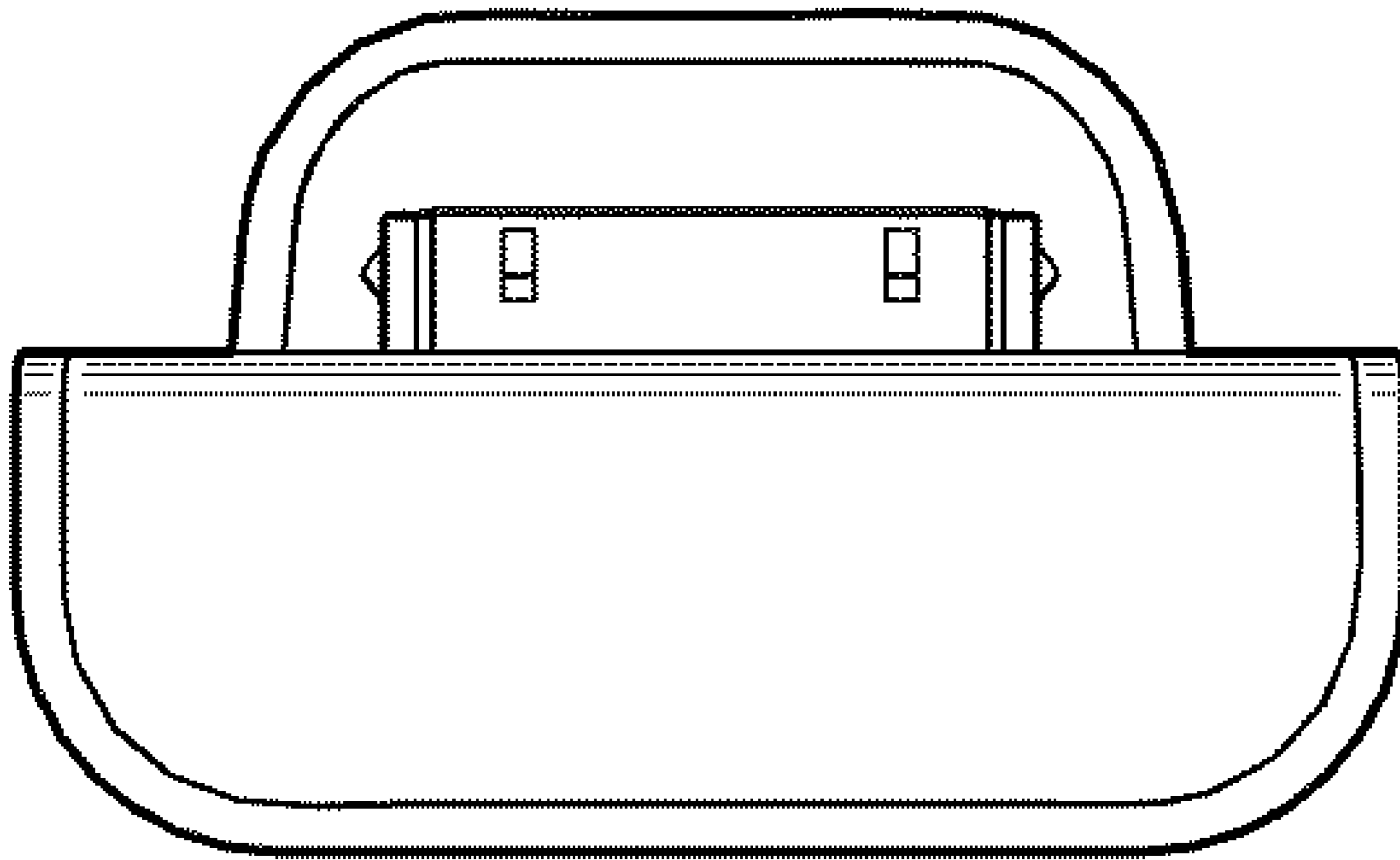
**FIG. 3**



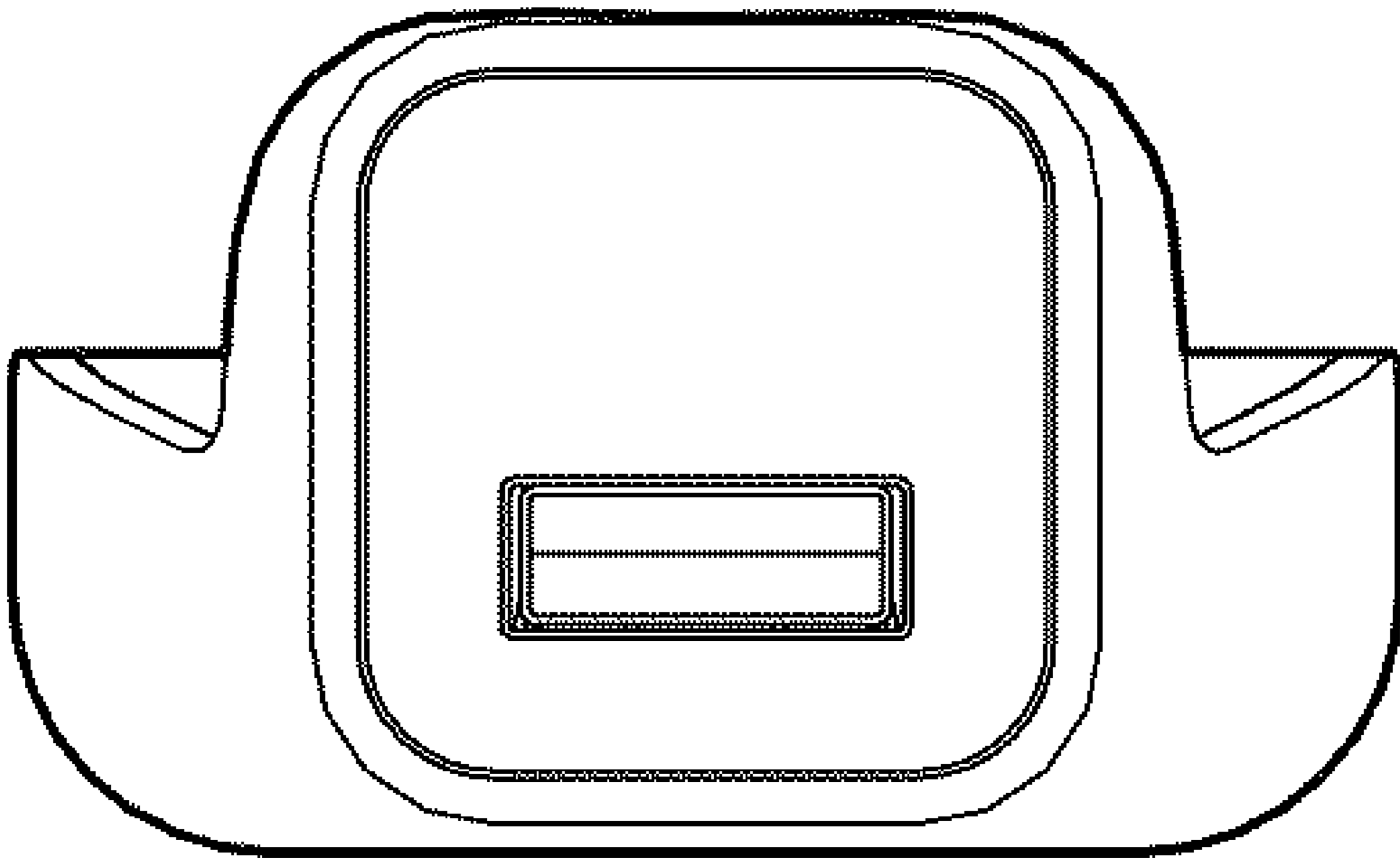
**FIG. 4**



**FIG. 5**



**FIG. 6**



**FIG. 7**